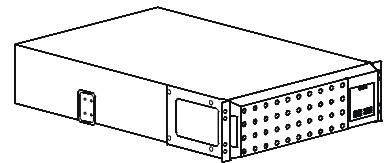
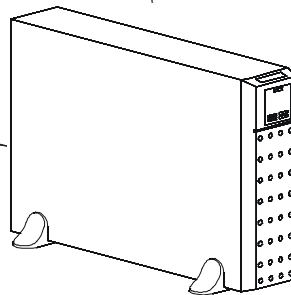


# Operation Manual

## Smart-UPS<sup>™</sup> On-Line SRT Uninterruptible Power Supply

SRT2200XLI  
SRT2200RMXLI  
SRT2200RMXLI-NC  
SRT3000XLI  
SRT3000RMXLI  
SRT3000RMXLI-NC  
SRT3000XLT  
SRT3000RMXLT  
SRT3000RMXLT-NC  
SRT3000XLW-IEC  
SRT3000RMXLW-IEC

208/220/230/240 Vac  
Tower/Rack-Mount 2U





# General Information

## Important Safety Messages

Read the instructions carefully to become familiar with the equipment before attempting to install, operate, service or maintain the UPS. The following special messages may appear throughout this manual or on the equipment to warn of potential hazards or to call attention to information that clarifies or simplifies a procedure.



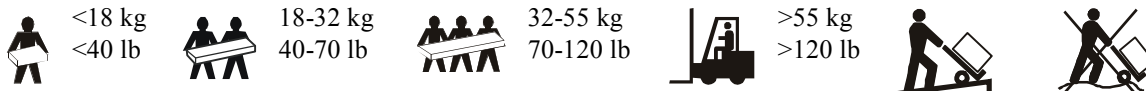
The addition of this symbol to a Danger or Warning product safety label indicates that an electrical hazard exists which will result in personal injury if the instructions are not followed.



The addition of this symbol to a Warning or Caution product safety label indicates that a hazard exists that can result in injury and product damage if the instructions are not followed.

|   |
|---|
|  <b>DANGER</b>                 |
| <b>DANGER</b> indicates a hazardous situation which, if not avoided, will result in death or serious injury.    |
|  <b>WARNING</b>                |
| <b>WARNING</b> indicates a hazardous situation which, if not avoided, could result in death or serious injury.  |
|  <b>CAUTION</b>              |
| <b>CAUTION</b> indicates a hazardous situation which, if not avoided, could result in minor or moderate injury. |
| <b>NOTICE</b>   |
| <b>NOTICE</b> is used to address practices not related to physical injury.                                      |

## Product Handling Guidelines



# Safety and General Information

- Adhere to all national and local electrical codes.
- All wiring must be performed by a qualified electrician.
- Changes and modifications to this unit not expressly approved by APC could void the warranty.
- This UPS is intended for indoor use only.
- Do not operate this UPS in direct sunlight, in contact with fluids, or where there is excessive dust or humidity.
- Be sure the air vents on the UPS are not blocked. Allow adequate space for proper ventilation.
- For a UPS with a factory installed power cord, connect the UPS power cable directly to a wall outlet. Do not use surge protectors or extension cords.
- The battery typically lasts for two to five years. Environmental factors impact battery life. Elevated ambient temperatures, poor quality utility power, and frequent short duration discharges will shorten battery life.
- Replace the battery immediately when the UPS indicates battery replacement is necessary.
- The equipment is heavy. Always practice safe lifting techniques adequate for the weight of the equipment.
- The batteries are heavy. Remove the batteries before installing the UPS and external battery packs (XLBPs), in a rack.
- Always install XLBPs at the bottom in rack-mount configurations. The UPS must be installed above the XLBPs.
- Always install peripheral equipment above the UPS in rack-mount configurations.
- Additional safety information can be found in the Safety Guide supplied with this unit.

## Deenergizing safety

- The UPS contains internal batteries and may present a shock hazard even when disconnected from AC and DC power.
- The AC and DC output connectors may be energized by remote or automatic control at any time.
- Before installing or servicing the equipment check that the:
  - Input circuit breaker is in the **OFF** position.
  - Internal UPS batteries are removed.
  - XLBP battery modules are disconnected.

## Electrical safety

- For models with a hardwired input, the connection to the branch circuit (mains) must be performed by a qualified electrician.
- 230 V models only: In order to maintain compliance with the EMC directive for products sold in Europe, output cords attached to the UPS must not exceed 10 meters in length.
- The protective earth conductor for the UPS carries the leakage current from the load devices (computer equipment). An insulated ground conductor is to be installed as part of the branch circuit that supplies the UPS. The conductor must have the same size and insulation material as the grounded and ungrounded branch circuit supply conductors. The conductor will typically be green and with or without a yellow stripe.
- The UPS input ground conductor must be properly bonded to protective earth at the service panel.
- If the UPS input power is supplied by a separately derived system, the ground conductor must be properly bonded at the supply transformer or motor generator set.

## Battery safety

- Replace batteries with the same number and type of batteries as originally installed in the equipment.
- Schneider Electric uses Maintenance-Free sealed Lead Acid batteries. Under normal use and handling, there is no contact with the internal components of the battery. Over charging, over heating or other misuse of batteries can result in a discharge of battery electrolyte. Released electrolyte is toxic and may be harmful to the skin and eyes.
- CAUTION: Before installing or replacing the batteries, remove jewelry such as wristwatches and rings. High short circuit current through conductive materials could cause severe burns.
- CAUTION: Do not dispose of batteries in a fire. The batteries may explode.
- CAUTION: Do not open or mutilate batteries. Released material is harmful to the skin and eyes and may be toxic.

## General information

- The UPS will recognize as many as 10 external battery packs connected to the UPS.  
**Note: For each XLBP added, increased recharge time will be required.**
- The model and serial numbers are located on a small, rear panel label. For some models, an additional label is located on the chassis under the front bezel.
- Always recycle used batteries.
- Recycle the package materials or save them for reuse.

## FCC Class A radio frequency warning

This equipment has been tested and found to comply with the limits for a Class A digital device, pursuant to part 15 of the FCC Rules. These limits are intended to provide reasonable protection against harmful interference when the equipment is operated in a commercial environment. This equipment generates, uses, and can radiate radio frequency energy and, if not installed and used in accordance with the instruction manual, may cause harmful interference to radio communications. Operation of this equipment in a residential area is likely to cause harmful interference in which case the user will be required to correct the interference at his own expense.

# Product Description

The APC by Schneider Electric Smart-UPS™ On-Line SRT is a high performance uninterruptible power supply (UPS). The UPS helps to provide protection for electronic equipment from utility power blackouts, brownouts, sags, surges, small utility power fluctuations and large disturbances. The UPS also provides battery backup power for connected equipment until utility power returns to acceptable levels or the batteries are completely discharged.

This user manual is available on the enclosed Documentation CD and on the APC by Schneider Electric web site, [www.apc.com](http://www.apc.com).

## Product Overview

### Specifications

For additional specifications refer to the APC by Schneider Electric web site, [www.apc.com](http://www.apc.com).

#### Environmental

|                         |   |                              |
|-------------------------|---|------------------------------|
| <b>Temperature</b>      | <b>Operating</b>                            | 0° to 40° C (32° to 104° F)  |
|                         | <b>Storage</b>                              | -15° to 45° C (5° to 113° F) |
| <b>Elevation</b>        | <b>Operating</b>                            | 0 - 3,000 m (0 - 10,000 ft)  |
|                         | <b>Storage</b>                              | 0 - 15,000 m (50,000 ft)     |
| <b>Humidity</b>         | 0% to 95% relative humidity, non-condensing |                              |
| <b>Protection Class</b> | IP 20 rating                                |                              |

**Note:** Charge the battery modules every six months during storage.  
Environmental factors impact battery life. Elevated ambient temperatures, high humidity, poor quality mains power, and frequent short duration discharges will shorten battery life.

#### Physical

##### SRT2200XLI/SRT2200RMXLI/SRT2200RMXLI-NC model

The UPS is heavy. Follow all lifting guidelines.

|   |   |
|---|---|
| <b>Unit weight batteries included, without packaging</b>            | 25 kg (55 lb)   |
| <b>Unit weight batteries included, with packaging</b>               | Rack-Mount models: 34 kg (75 lb)<br>Tower models: 31 kg (68 lb) |
| <b>Unit dimensions without packaging<br/>Height x Width x Depth</b> | 85 (2U) mm x 432 mm x 560mm<br>3.35 (2U) in x 17 in x 22 in     |
| <b>Unit dimensions with packaging<br/>Height x Width x Depth</b>    | 245 mm x 600 mm x 810 mm<br>9.7 in x 23.6 in x 31.9 in          |

The model and serial numbers are on a small label located on the rear panel.

**SRT3000XLI/SRT3000RMXLI/SRT3000RMXLI-NC/SRT3000XLT/SRT3000RMXLT/SRT3000RMXLT-NC/  
SRT3000XLW-IEC/SRT3000RMXLW-IEC model**

The UPS is heavy. Follow all lifting guidelines.

|  |   |
|--|---|
| <b>Unit weight batteries included, without packaging</b>                     | 31 kg (69 lb)   |
| <b>Unit weight batteries included, with packaging</b>                        | Rack-Mount models: 40 kg (88 lb)<br>Tower models: 37 kg (81 lb) |
| <b>Unit dimensions without packaging<br/>Height x Width x Depth</b>          | 85 (2U) mm x 432 mm x 611mm<br>3.35 (2U) in x 17 in x 24 in     |
| <b>Unit dimensions with packaging<br/>Height x Width x Depth</b>             | 245 mm x 600 mm x 870 mm<br>9.7 in x 23.6 in x 34.3 in          |
| The model and serial numbers are on a small label located on the rear panel. |   |

## Battery

| <b>⚠ CAUTION</b>  |  |
|---|--|
| <b>RISK OF HYDROGEN SULPHIDE GAS AND EXCESSIVE SMOKE</b>  |  |
| <ul style="list-style-type: none"> <li>• Replace the battery at least every 5 years.</li> <li>• Replace the battery immediately when the UPS indicates battery replacement is necessary.</li> <li>• Replace battery at the end of its service life.</li> <li>• Replace batteries with the same number and type of batteries as originally installed in the equipment.</li> <li>• Replace the battery immediately when the UPS indicates a battery overtemperature condition, or UPS internal overtemperature, or when there is evidence of electrolyte leakage. Power off the UPS, unplug it from the AC input, and disconnect the batteries. Do not operate the UPS until the batteries have been replaced.</li> </ul> |  |
| <b>Failure to follow these instructions can result in minor or moderate injury</b>  |  |

|   | <b>SRT2200 models</b>                                       | <b>SRT3000 models</b> |
|---|---|-----------------------|
| <b>Battery type</b>   | Sealed, maintenance-free, Valve Regulated Lead-Acid battery |                       |
| <b>Replacement battery module</b><br>This UPS has swappable battery modules.<br>Refer to the appropriate replacement battery user manual for installation instructions.<br>Contact your dealer or go the APC by Schneider Electric web site, <a href="http://www.apc.com">www.apc.com</a> for information on replacement batteries. | APCRBC141   | APCRBC152             |
| <b>Number of battery modules</b>  | 1 battery module  |                       |
| <b>Voltage for each battery module</b>  | 72 VDC  | 96 VDC                |
| <b>Total battery voltage for the UPS</b>  | 72 VDC  | 96 VDC                |
| <b>Ah rating</b>  | 5 Ah per battery module                                     |                       |
| <b>XLBP cable length</b>  | 500 mm (19.7 in)  |                       |

## Electrical

**CAUTION\*:** To reduce the risk of fire, connect the UPS only to a circuit provided with recommended maximum branch circuit overcurrent protection in accordance with the National Electrical Code, ANSI/NFPA 70 and the Canadian Electrical Code, Part I, C22.1.

### CAUTION

#### RISK OF FIRE, RISK OF DAMAGE TO EQUIPMENT OR PERSONNEL

The SRT3000XLI, SRT3000RMXLI, SRT3000XLW-IEC or SRT3000RMXLW-IEC UPS should not be continually operated at full power below an input voltage of 220 V when powered using the BS 1363 (UK) to C20 cable.

**Failure to follow these instructions can result in minor or moderate injury.**

| Models           | Rating           | Building Circuit Breaker (CB) Current Rating |
|------------------|------------------|--|
| SRT2200XLI       | 2200 VA / 1980 W | 16 A   |
| SRT2200RMXLI     |                  |  |
| SRT2200RMXLI-NC  |                  |  |
| SRT3000XLI       | 3000 VA / 2700 W | 20 A   |
| SRT3000RMXLI     |                  |  |
| SRT3000RMXLI-NC  |                  |  |
| SRT3000XLT       |                  | 20 A* / 2 pole                               |
| SRT3000RMXLT     |                  |  |
| SRT3000RMXLT-NC  |                  |  |
| SRT3000XLW-IEC   |                  |  |
| SRT3000RMXLW-IEC |                  | 20 A IEC; 20 A UL* / 2 pole                  |

#### Output

|                        |  |
|------------------------|--|
| Output Frequency       | 50 Hz / 60 Hz  |
| Nominal Output Voltage | SRT2200XLI/SRT2200RMXLI/SRT2200RMXLI-NC/SRT3000XLI/SRT3000RMXLI/SRT3000RMXLI-NC: 220 V, 230 V, 240 V<br>SRT3000XLT/SRT3000RMXLT/SRT3000RMXLT-NC: 208 V, 240 V<br>SRT3000XLW-IEC/SRT3000RMXLW-IEC: 208V, 220V, 230V, 240V |

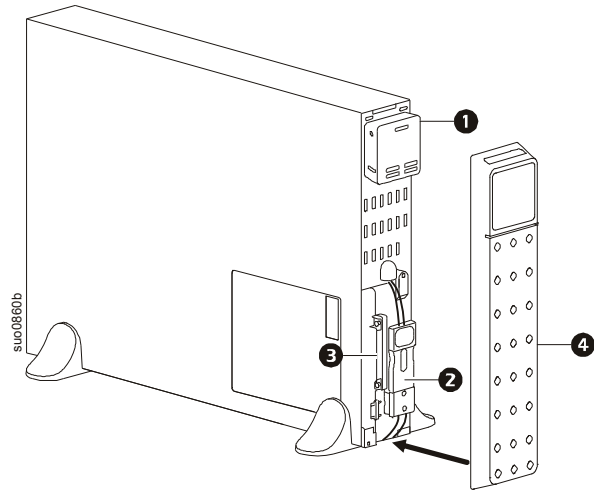
#### Input

|                       |  |
|-----------------------|--|
| Input Frequency       | 40 Hz - 70 Hz  |
| Nominal Input Voltage | SRT2200XLI/SRT2200RMXLI/SRT2200RMXLI-NC/SRT3000XLI/SRT3000RMXLI/SRT3000RMXLI-NC: 220 V, 230 V, 240 V<br>SRT3000XLT/SRT3000RMXLT/SRT3000RMXLT-NC: 208 V, 240 V<br>SRT3000XLW-IEC/SRT3000RMXLW-IEC: 208V, 220V, 230V, 240V |
| Input current rating  | SRT2200 models: 13 A<br>SRT3000 models: 16 A   |



# Front Panel Features

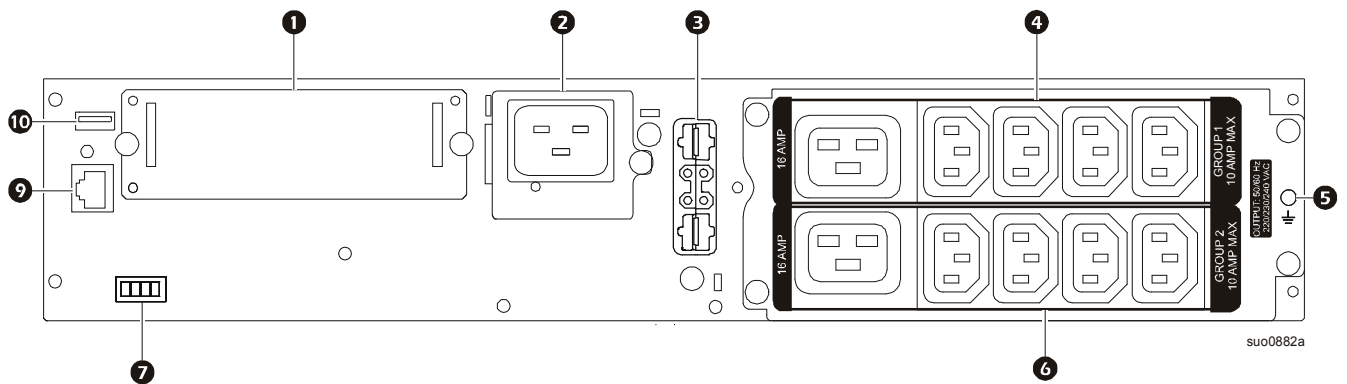
- ❶ Display interface panel
- ❷ UPS battery connectors
- ❸ Battery module
- ❹ Bezel



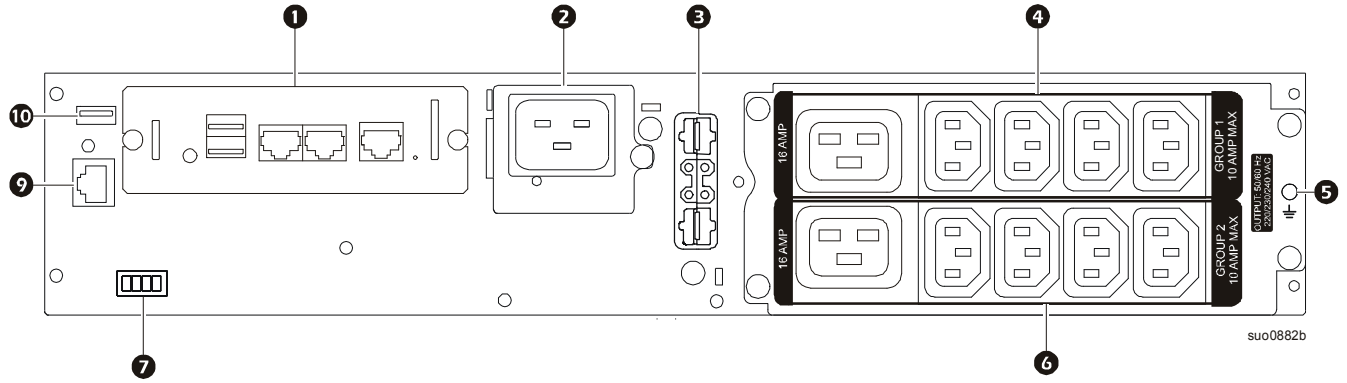
# Rear Panel Features

**Note:** Refer to the table “Key to identify rear panel features” on page 9, that provides a key to the callout numbers for the rear panel graphics depicted in this manual.

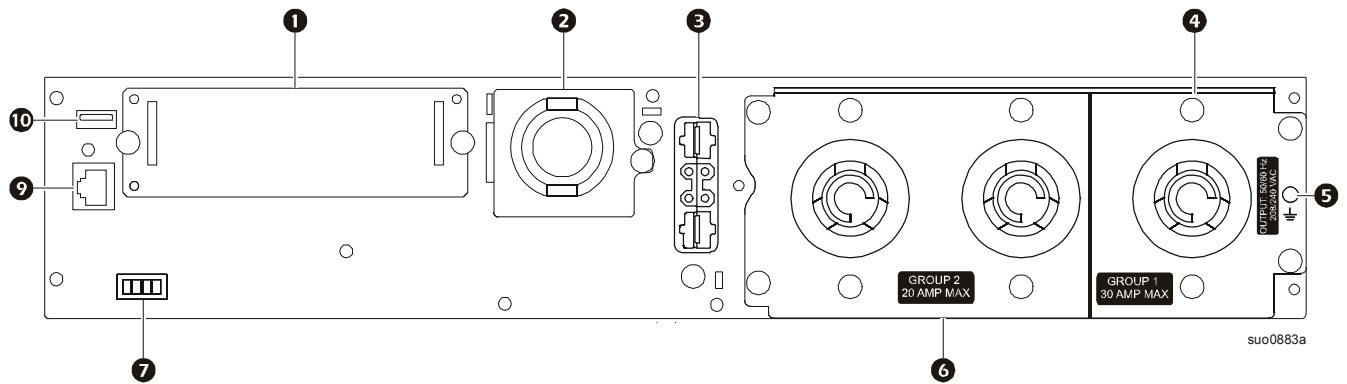
## SRT2200XLI/SRT2200RMXLI/SRT3000XLI/SRT3000RMXLI



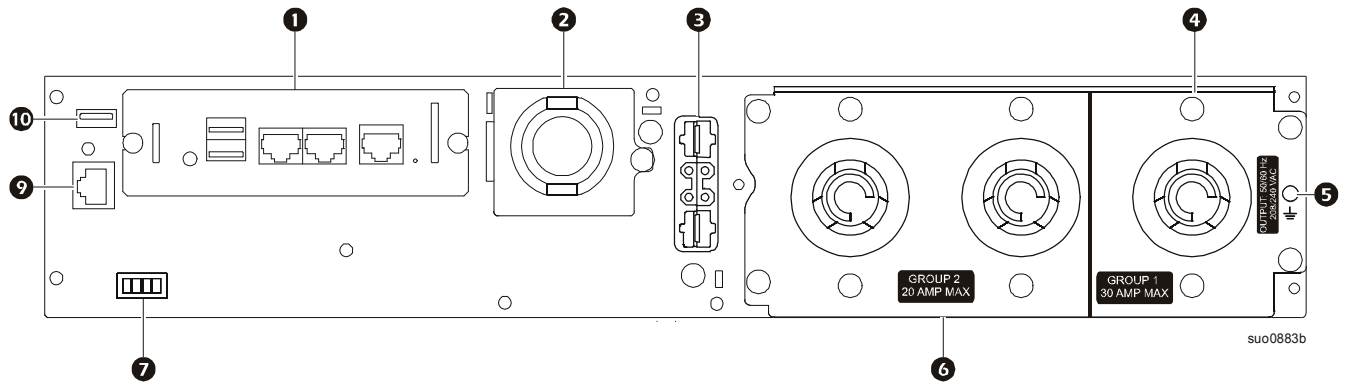
**SRT2200RMXLI-NC/SRT3000RMXLI-NC**



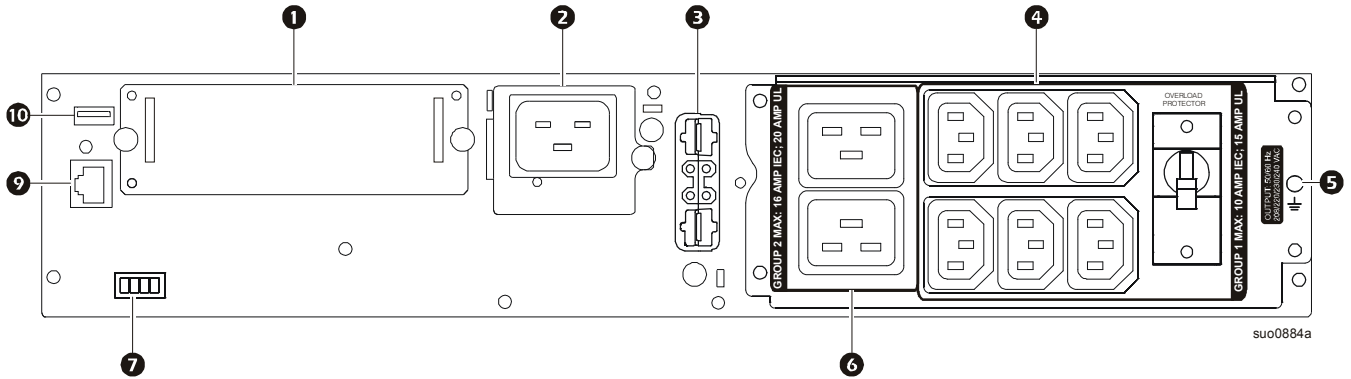
**SRT3000XLT/SRT3000RMXLT**



**SRT3000RMXLT-NC**



## SRT3000XLW-IEC/SRT3000RMXLW-IEC



### Key to identify rear panel features

|           |   |   |
|-----------|---|---|
| <b>1</b>  | <b>SmartSlot</b>  | The SmartSlot can be used to connect optional management accessories.   |
| <b>2</b>  | <b>AC input power cable or hardwire input box</b>         | SRT3000XLT, SRT3000RMXLT, SRT3000RMXLT-NC models have factory installed input power cables.   |
| <b>3</b>  | <b>External battery power and communication connector</b> | Use the external battery cable on the XLBP to connect the UPS and XLBP. XLBPs provide extended runtime during power outages. The UPS will automatically recognize up to 10 external battery packs.                          |
| <b>4</b>  | <b>Controllable outlet group 1</b>                        | Connect electronic devices to these outlets.  |
| <b>5</b>  | <b>Chassis ground screws</b>                              | The UPS and XLBPs have ground screws for connecting the ground leads. Prior to connecting a ground lead, disconnect the UPS from mains power.   |
| <b>6</b>  | <b>Controllable outlet group 2</b>                        | Connect electronic devices to these outlets.  |
| <b>7</b>  | <b>EPO terminal</b>                                       | The Emergency Power Off (EPO) terminal allows the user to connect the UPS to a central EPO system.  |
| <b>9</b>  | <b>Serial Com</b>   | The Serial Com port is used to communicate with the UPS.<br><b>Use only interface kits supplied or approved by APC by Schneider Electric. Any other serial interface cable will be incompatible with the UPS connector.</b> |
| <b>10</b> | <b>USB port</b>   | The USB port is used to connect either a server for native operating system communications, or for software to communicate with the UPS.  |

# Operation

---

## Connect Equipment

### CAUTION

#### RISK OF ELECTRIC SHOCK

- Disconnect the mains input circuit breaker before installing or servicing the UPS or connected equipment.
- Disconnect internal and external batteries before installing or servicing the UPS or connected equipment.
- The UPS contains internal and external batteries that may present a shock hazard even when disconnected from the mains.
- UPS AC hardwired and pluggable outlets may be energized by remote or automatic control at any time.
- Disconnect equipment from the UPS before servicing any equipment.

**Failure to follow these instructions can result in minor or moderate injury.**

**Note:** The UPS batteries will charge to 90% capacity in the first three hours of normal operation. **Do not expect full battery runtime capability during this initial charge period.**

1. Connect the internal battery module. See Installation manual for details.
2. Connect equipment to the outlets on the rear panel of the UPS.  
Refer to “Controllable Outlet Groups” on page 19.
3. Connect the UPS to the building utility power.

## Turn the UPS On/Off

The first time the UPS is turned on the **Setup Wizard** screen will run. Follow the prompts to configure UPS settings. Refer to “Configuration” on page 14.

To turn on the UPS and all connected equipment, press the POWER ON/OFF button on the display panel. Follow the prompts to either turn the UPS on immediately or after a delay, then press OK.

**NOTE:** When there is no input power and the UPS is off, the cold start feature can be used to turn on the UPS and connected equipment using battery power.

To perform a cold start press the POWER ON/OFF button.

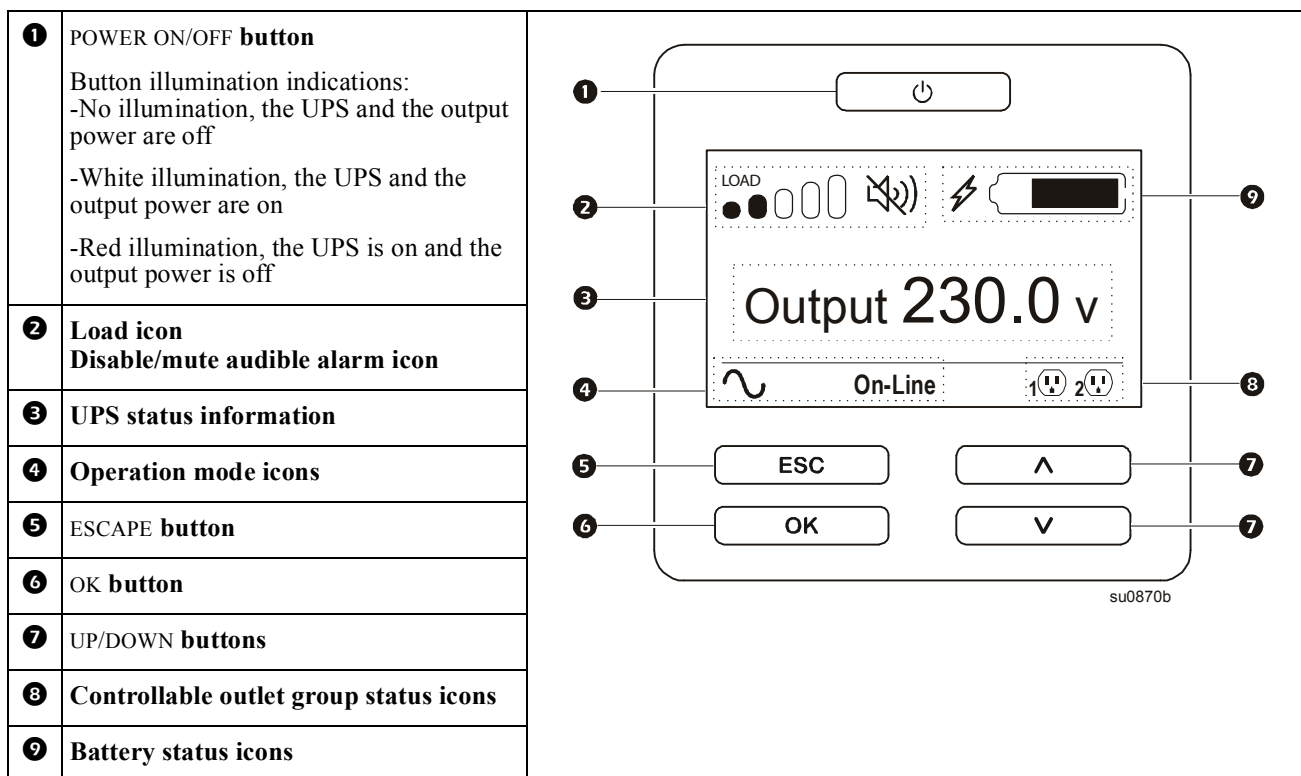
The display panel will illuminate and the POWER ON/OFF button will illuminate red.

To turn on the output power press the POWER ON/OFF button again. Select the prompt **Turn ON with NO AC** and press OK.

To turn output power off, press the POWER ON/OFF button. Follow the prompts to either turn the UPS off immediately or after a delay, then press OK.

**NOTE:** Once the UPS output power has been turned off and the AC input has been removed, the UPS will continue to use the battery for internal power for 10 minutes. To remove power completely press the POWER ON/OFF button. Follow the prompt to select **Internal Power Off**, then press OK.

# UPS Display Interface



## UPS Display Interface operation

Use the UP/DOWN buttons to scroll through the options. Press the OK button to accept the selected option. Press the ESC button to return to the previous menu.

The icons on the LCD display interface screen may vary depending on the installed firmware versions and specific UPS models.

|  |  |
|--|--|
|  | <p><b>Load icon:</b> The approximate load capacity percentage is indicated by the number of load bar sections illuminated. Each bar represents 16% of the load capacity.</p> |
|  | <p><b>Mute icon:</b> Indicates the audible alarm is disabled/mute.</p>   |






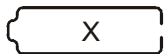





### UPS Status Information

The status information field provides key information on the status of the UPS. The **Standard** menu will allow the user to select one of the five screens listed below. Use the UP/DOWN buttons to scroll through the screens.

The **Advanced** menu will scroll through the five screens automatically.

- **Input Voltage**
- **Output Voltage**
- **Output Frequency**
- **Load**
- **Runtime**

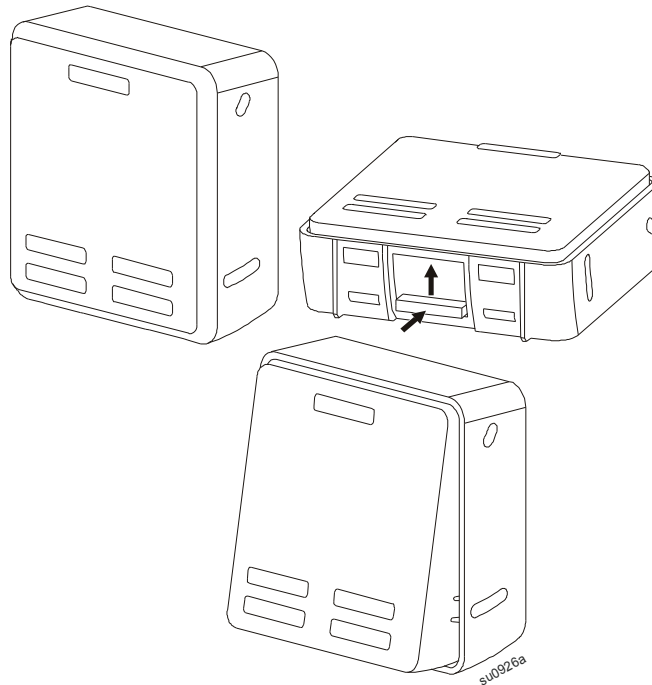
In the case of a UPS event, status updates will be displayed defining the event or condition that has occurred. The display screen illuminates amber to indicate a Message and red to indicate an Alert depending on the severity of the event or condition.

| Operation Mode Icons  |   |
|---|---|
|    | <b>On-Line mode:</b> The UPS is supplying conditioned mains power to connected equipment.   |
|    | <b>Bypass mode:</b> The UPS is in <b>Bypass</b> mode and the connected equipment will receive mains power as long as the input voltage and frequency are within the configured limits.  |
|    | <b>Green mode:</b> When in <b>Green</b> mode mains power is sent directly to the load.<br>In the event of a mains power outage, there will be an interruption in power to the load of up to 10 ms while the UPS switches to <b>On-Line</b> or <b>Battery</b> mode.<br>When enabling <b>Green</b> mode consideration should be given to devices that may be sensitive to power fluctuations. |
| UPS Status Icon   |   |
|    | <b>Battery mode:</b> The UPS is supplying battery power to connected equipment.   |
|    | The UPS has detected an internal fault with the battery. Follow the instructions on the screen.   |
|    | The UPS has detected a critical fault with the battery. The battery is at the end of its life and has to be replaced.   |
|   | Indicates a UPS alert that requires attention.  |
| Controllable Outlet Group Icons   |   |
|  | <b>Controllable Outlet Group Power Available:</b> The number next to the icon identifies the specific outlet groups that have available power.<br>Flashing icon indicates the outlet group is turning from OFF to ON with delay.  |
|  | <b>Controllable Outlet Group Power Not Available:</b> The number next to the icon identifies specific outlet groups that do not have available power.<br>Flashing icon indicates the outlet group is turning from ON to OFF with delay.   |
| Battery Status Icons  |   |
|  | <b>Battery Charge Status:</b> Indicates the battery charge status.  |
|  | <b>Battery Charge In Progress:</b> Indicates the battery is charging.   |

## LCD display interface angle adjustment

The angle of the LCD display interface can be adjusted for ease in viewing the displayed messages.

1. Remove the front bezel.
2. Locate the button on the bottom of the display interface panel.
3. Press the button and slide the bottom of the LCD display interface screen out. An audible click will be heard when the screen reaches the maximum angle.



## Menu overview

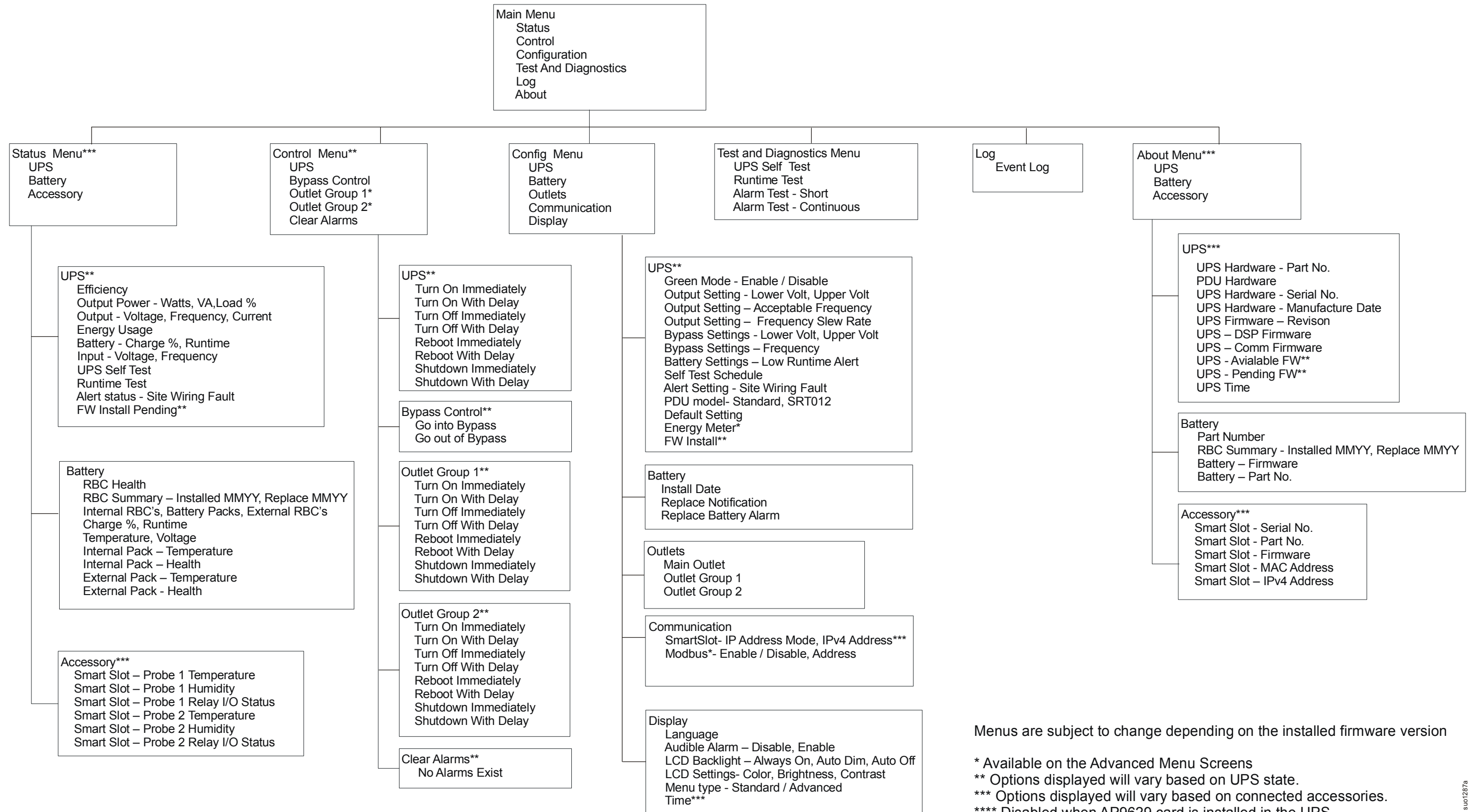
The UPS Display Interface has **Standard** and **Advanced** menu screens. The preference for **Standard** or **Advanced** menu selections is made during initial installation and can be changed at any time through the **Configuration** menu.

The **Standard** menus include the most commonly used options.

The **Advanced** menus provide additional options.

**Note:** Actual menu screens may differ by model and firmware version.

# UPS Menu Overview



Menus are subject to change depending on the installed firmware version

\* Available on the Advanced Menu Screens

\*\* Options displayed will vary based on UPS state.

\*\*\* Options displayed will vary based on connected accessories.

\*\*\*\* Disabled when AP9629 card is installed in the UPS.



# Configuration

## UPS Settings


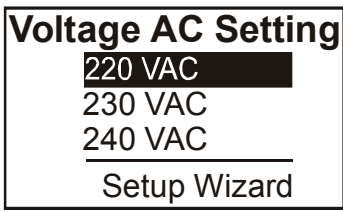
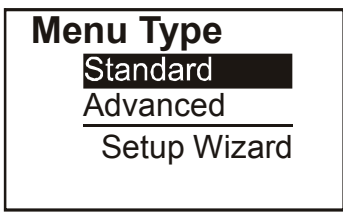
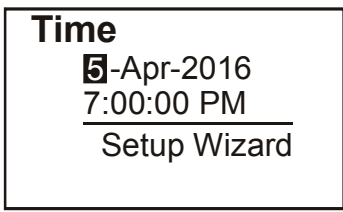
There are three ways to select UPS configuration options.

1. The first time the UPS is turned on the **Setup Wizard** screen will open. On each menu screen select the desired settings. Press OK after each UPS setting is selected.

**Note:** The UPS will not turn on until all of the settings have been configured.

2. **Main Menu/Configuration/UPS/Default Setting.** This screen allows the user to reset the UPS to factory default settings. Press OK after the UPS setting is selected. Refer to “Configuration” on page 14 and “UPS Menu Overview” .
3. Configure settings using an external interface, such as the Network Management Web interface.

### Startup configuration

| Function  | Description  |
|---|--|
|   | <p>Select the language required for the display interface.<br/>Language options will vary by model and firmware version.</p> <p>Options:</p> <ul style="list-style-type: none"> <li>• English</li> <li>• Francais</li> <li>• Italiano</li> <li>• Deutsch</li> <li>• Espanol</li> <li>• Portugues</li> <li>• Japanese</li> <li>• Russian</li> </ul> |
|  | <p>Select the output voltage.<br/>Options will vary by model.</p> <p>Options:</p> <ul style="list-style-type: none"> <li>• 208 Vac</li> <li>• 220 Vac</li> <li>• 230 Vac</li> <li>• 240 Vac</li> </ul>   |
|  | <p>The <b>Standard</b> menu options are the most commonly used options.<br/>The <b>Advanced</b> menu options will be used by IT professionals who need detailed configuration and reporting information.</p>   |
|  | <p>The <b>time</b> menu option allows the user to set the date and time.</p>   |

## General settings

Configure these settings at any time, using the display interface, or the Network Management Web Interface.

|                        | Parameters                                 | Default Value  | Options   | Description   |
|------------------------|--|--|---|---|
| <b>Config Menu UPS</b> | <b>Green Mode</b>                          | Disabled   | Disable<br>Enable   | Disable or enable <b>Green</b> mode operation   |
|                        | <b>AC Setting</b>                          | NA<br>(see description)  | <b>XLW models:</b> 208 V, 220 V, 230 V, 240 V<br><b>XLI models:</b> 220 V, 230 V, 240 V<br><b>XLT models:</b> 208 V, 240 V    | Set the output voltage for the UPS. This setting can only be changed when the UPS output is off.<br>These settings may vary depending on the UPS model.<br>Default Value:<br>The value selected by the user during initial startup. <b>Reset to factory default</b> does not change the selected value. |
|                        | <b>Output Lower Acceptable Voltage</b>     | 184 V for 208 V output<br>198 V for 220 V output<br>207 V for 230 V output<br>216 V for 240 V output | 208 V - 169 to 184 V<br>220 V - 186 to 198 V<br>230 V - 195 to 207 V<br>240 V - 204 to 216 V                                  | If the UPS input voltage is between the lower acceptable voltage and the higher acceptable voltage, the UPS will operate in <b>Green</b> mode when enabled.   |
|                        | <b>Output Upper Acceptable Voltage</b>     | 220 V for 208 V output<br>242 V for 220 V output<br>253 V for 230 V output<br>264 V for 240 V output | 208 V - 220 to 235 V<br>220 V - 242 to 253 V<br>230 V - 253 to 265 V<br>240V - 264 to 270 V                                   | If the output voltage goes outside the acceptable range the UPS will switch from <b>Green</b> mode to <b>On-Line</b> mode or to <b>Battery</b> mode.  |
|                        | <b>Output Frequency</b>                    | Auto 50/60 ± 3Hz   | Auto 50/60 ± 3 Hz<br>50 ± 0.1 Hz<br>50 ± 3.0 Hz<br>60 ± 0.1 Hz<br>60 ± 3.0 Hz   | Set the output frequency for the UPS.   |
|                        | <b>Output Frequency Slew Rate</b>          | 1 Hz/Sec   | 0.5 Hz/Sec<br>1 Hz/Sec<br>2 Hz/Sec<br>4 Hz/Sec  | Select the rate of change for output frequency in Hertz per second.   |
|                        | <b>Bypass Lower Acceptable Voltage</b>     | 160 V  | 208 V - 160 to 184 V<br>220 V - 160 to 198 V<br>230 V - 160 to 207 V<br>240V - 160 to 216 V                                   | If the UPS input voltage is between the lower acceptable voltage and the higher acceptable voltage, the UPS can enter <b>Bypass</b> mode when enabled.  |
|                        | <b>Bypass Upper Acceptable Voltage</b>     | 250 V for 208 V output<br>255 V for 220 V output<br>265 V for 230 V output<br>270 V for 240 V output | 208 V - 220 to 250 V<br>220 V - 242 to 264 V<br>230 V - 253 to 270 V<br>240 V - 264 to 270 V                                  |   |
|                        | <b>Bypass Setting Acceptable Frequency</b> | Wider Frequency<br>47 - 63 Hz  | <ul style="list-style-type: none"> <li>Wider Frequency<br/>47 - 63 Hz</li> <li>Use Output Frequency Setting</li> </ul>        | The setting <b>Wider Frequency</b> , enables <b>Bypass</b> mode operation for an input frequency range of 47-63 Hz.   |
|                        | <b>Low Runtime Alert</b>                   | 150 seconds  | 0 to 1800 seconds   | The UPS will emit an audible alarm when the remaining runtime has reached this threshold.   |
|                        | <b>Self Test Schedule</b>                  | Startup + every 14 days since last test  | <ul style="list-style-type: none"> <li>Never</li> <li>Startup</li> <li>Startup + 7 days</li> <li>Startup + 14 days</li> </ul> | This is the interval at which the UPS will execute a <b>Self Test</b> .   |

|                            | Parameters  | Default Value             | Options   | Description   |
|----------------------------|---|---------------------------|---|---|
| <b>Config Menu UPS</b>     | <b>Site Wiring Fault</b><br>(For XLI and XLW models only) | User Can Acknowledge      | <ul style="list-style-type: none"> <li>• Disable</li> <li>• Enable</li> <li>• User Can Acknowledge</li> </ul> | <p>Allows the user to configure the behavior of the UPS in response to the site wiring fault alert which is generated due to wrong input AC mains connection with input phase and neutral reversed.</p> <p><b>Disable:</b> The UPS never indicates site wiring fault to the user.</p> <p><b>Enable:</b> UPS alerts the user about site wiring fault, when detected. The alert cannot be reset until the site wiring fault is corrected.</p> <p><b>User Can Acknowledge:</b> UPS alerts the user about site wiring fault, when detected. The alert is active till the user acknowledges it by pressing OK.</p> |
|                            | <b>PDU Model</b>  | Standard                  | SRT011 and SRT012 for XLT and XLW models<br>SRT012 for XLI models   | <p>Select the PDU model installed in the UPS for proper operation of the PDU.</p> <p>See the user documentation for the PDU models SRT011 and SRT012 for details.</p>   |
|                            | <b>Default Setting</b>                                    | No                        | Yes/No  | Allows the user to restore the UPS factory default settings.  |
|                            | <b>Reset Energy Meter</b>                                 | No                        | Yes/No  | <p>The Energy Meter stores information on UPS output energy usage.</p> <p>The Reset feature allows the user to reset the <b>Energy Meter</b> to 0 kWh.</p>  |
|                            | <b>FW Install</b>   | Don't Install             | <ul style="list-style-type: none"> <li>• Don't Install</li> <li>• Now</li> <li>• Next Off</li> </ul>          | <p>The message shows when the output is ON and the new firmware is available to install in the UPS. Select the option to install firmware update in the UPS.</p> <p><b>Note:</b> If <b>Now</b> option is selected, the connected load will not be protected from input power outages and other input power disturbances during the duration of the FW update.</p>   |
| <b>Config Menu Battery</b> | <b>Install Date</b>                                       | Battery Installation Date | Month-Year  | Enter the installation date of the RBCs.  |
|                            | <b>Replacement Notification Time</b>                      | 183 days                  | <ul style="list-style-type: none"> <li>• 0-360 days</li> <li>• -1</li> </ul>                                  | <p>To set the <b>Near End of Life</b> alarm, select the number of days before the estimated battery end of life.</p> <p>When this date is reached the UPS will emit an audible alarm and a message will appear on the display interface screen.</p> <p>Example: Using the default value, the <b>Near End of Life</b> alarm will occur 183 days before the estimated end of life date.</p> <p>To disable the notifications select <b>-1</b>.</p>   |
|                            | <b>Replacement Battery Alarm Time</b>                     | 14 days                   | <ul style="list-style-type: none"> <li>• 0-180 days</li> <li>• -1</li> </ul>                                  | <p>The <b>Near End of Life</b> audible alarm can be muted.</p> <p>Enter the number of days between the time a <b>Near End of Life</b> alarm is acknowledged and the next <b>Near End of Life</b> alarm occurs.</p> <p>To disable the notifications select <b>-1</b>.</p>  |

|                            | Parameters            | Default Value   | Options   | Description   |
|----------------------------|-----------------------|---|---|---|
| <b>Config Menu Display</b> | <b>Language</b>       | English   | English<br>Francais<br>Italiano<br>Deutsch<br>Espanol<br>Portugues<br>Japanese<br>Russian | Select the language required for the display interface.<br><br>Language options will vary by model and firmware version.  |
|                            | <b>Audible alarm</b>  | Enable  | <ul style="list-style-type: none"> <li>• Disable</li> <li>• Enable</li> </ul>             | When audible alarms are disabled, the UPS will never emit an audible alarm.   |
|                            | <b>LCD Back Light</b> | Auto Dim  | Always On<br>Auto Dim<br>Auto Off   | To conserve energy, the LCD back light illumination dims or turns off when no events are active.<br><br>Full display interface illumination returns when the UPS changes status as a result of an event or when any button on the display interface is pressed. |
|                            | <b>LCD Setting</b>    | Optimal Values  | Color<br>Brightness<br>Contrast   | Adjust the brightness and contrast individually for each LCD back light color.  |
|                            | <b>Menu Type</b>      | User Choice   | Standard<br>Advanced  | The <b>Standard</b> menus include the most commonly used options.<br><br>The <b>Advanced</b> menu options include all parameters.   |
|                            | <b>Time</b>           | UTC time<br>Universal Time Coordinated (UTC) is a coordinated time scale, maintained by the Bureau International des Poids et Mesures (BIPM)] | DD-MMM-YYYY<br>HH:MM:SS am/pm   | For non-NC models only: Scroll through the fields to set the time.<br><br><b>Note:</b> Not applicable when AP9630/31/35 Network Management Card (NMC) is connected to the UPS.  |

|  | Parameters                      | Default Value | Options                     | Description   |
|--|---------------------------------|---------------|-----------------------------|---|
| <b>Config Menu Outlets</b>                             | <b>Power On Delay</b>           | 0 seconds     | 0-1800 seconds              | Select the amount of time the controllable outlet groups will wait between receiving the command to turn on and actual startup.   |
|  | <b>Power Off Delay</b>          | 90 seconds    | 0-32767 seconds             | Select the amount of time the controllable outlet groups will wait between receiving the command to shutdown and actual shutdown.   |
|  | <b>Reboot Duration</b>          | 8 seconds     | 4-300 seconds               | Select the amount of time the controllable outlet groups will remain off before the UPS will restart.   |
|  | <b>Minimum Return Runtime</b>   | 0 seconds     | 0-32767 seconds             | Select the amount of battery runtime that must be available before the controllable outlet groups will turn on using battery power, after a shutdown.   |
|  | <b>Loadshed Time On Battery</b> | Disable       | Disable<br>Enable           | To conserve battery power the UPS can disconnect power from controllable outlet groups not in use.<br>To configure the disconnect delay time for this feature use the <b>Loadshed Time On Battery</b> setting.  |
|  | <b>Loadshed Time On Battery</b> | 5 seconds     | 5-32767 seconds             | Select the amount of time the controllable outlet groups will be allowed to function on battery power before shutdown.  |
|  | <b>Loadshed On Runtime</b>      | Disable       | Disable<br>Enable           | To conserve battery power the UPS can disconnect power from controllable outlet groups when the <b>Loadshed Runtime</b> threshold is reached.   |
|  | <b>Loadshed Runtime</b>         | 0 seconds     | 0-3600 seconds              | When the selected runtime threshold is reached the UPS will shutdown the controllable outlet groups.  |
|  | <b>Loadshed Overload</b>        | Disable       | Disable<br>Enable           | To conserve energy in the event of an overload condition greater than 105% output, the controllable outlet groups will immediately turn off. The controllable outlet groups will only turn on again with a manual restart command once the overload condition has been corrected. |
| <b>Config Menu Network Manage (for NC models only)</b> | <b>IP Address Mode</b>          |               | Manual, DHCP, BOOTP         | Refer to the Network Management Utility CD.   |
|  | <b>IP Address</b>               |               | Program IP, Subnet, Gateway |   |
| <b>Config Menu Communication Modbus</b>                | <b>Modbus</b>                   | Disable       | Disable<br>Enable           | Allows the user to enable or disable the UPS Modbus functionality   |
|  | <b>Modbus Address</b>           | 1             | 1 - 223                     | Allows the user to select the Modbus address  |

# Controllable Outlet Groups

---

**Controllable Outlet Groups provide battery backup power to connected equipment.**

## Overview

The controllable outlet groups can be configured using the **Advanced** menu options. Refer to “General settings” on page 15.

The controllable outlet groups can be configured to independently **turn off, turn on, shutdown, switch to sleep mode, and reboot connected equipment.**

- **Turn Off:** Disconnect output power to connected equipment either immediately using the **Turn Off Immediately** feature or after a configured delay using the **Turn Off With Delay** feature.  
NOTE: Controllable outlet groups can be turned on only using the **Turn On** feature.
- **Turn On:** Connect output power to connected equipment either immediately using the **Turn On Immediately** feature or after a configured delay using the **Turn On With Delay** feature.
- **Shutdown:** Disconnects the power to connected equipment either immediately or after a configured delay. Equipment reconnects after a configured delay when mains power becomes available and other configured conditions are met.  
Each controllable outlet group can be configured separately to allow power sequencing for equipment connected to any controllable outlet group.
- **Reboot:** Disconnect the power to connected equipment either immediately or after a configured delay. Reconnect equipment after a configured delay when either mains or battery power becomes available and other configured conditions are met.  
Each controllable outlet group can be configured separately to allow power sequencing for loads connected to any controllable outlet group.
- **Sleep:** This mode is a reboot with an extended duration where a outlet(s) remain turned off. Disconnect the power to connected equipment either immediately or after a configured delay. Reconnect equipment after a configured delay when either mains or battery power becomes available and other configured conditions are met.  
Each controllable outlet group can be configured separately to allow power sequencing for equipment connected to any controllable outlet group.  
To configure Sleep mode use an external interface, such as the Network Management Web interface.
- **Automatically turn off or shutdown** when certain conditions occur, based on user configurations set using the Config Menu Outlets menus. Refer to “Configuration” on page 14

## Connect controllable outlet groups

- Connect critical equipment to one controllable outlet group.
- Connect peripheral equipment to the other controllable outlet groups.
  - To conserve battery runtime during a power outage, nonessential equipment can be configured to shut down. Use **Loadshed Time on Battery Enable/Disable** and **Loadshed Time on Battery Setting** defined in the General Settings section. Refer to “General settings” on page 15.
  - If equipment has dependent peripherals that must restart or shut down in a specific sequence, such as an ethernet switch that must restart before a connected server can be restarted, connect the devices to different outlet groups. Each controllable outlet group can be configured independently of the other groups.
- Use the **Configuration** menus to configure how the controllable outlet groups will react in the event of a power outage.

# Emergency Power Off

## Overview

The Emergency Power Off (EPO) option is a feature that will immediately disconnect all connected equipment from mains power. The UPS will immediately shut down and will not switch to battery power. Connect each UPS to the EPO switch. If multiple units are to be controlled with an EPO switch, each UPS must be connected separately to the EPO switch.

The UPS must be restarted for power to return to connected equipment. Press the ON/OFF button on the front panel of the UPS.

### CAUTION

#### RISK OF ELECTRIC SHOCK

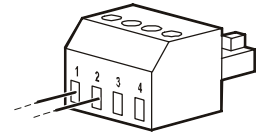
- Adhere to all national and local electrical codes.
- Wiring must be performed by a qualified electrician.
- Always connect the UPS to a grounded outlet.

**Failure to follow these instructions can result in minor or moderate injury.**

## Normally open contacts

1. If the EPO switch or relay contacts are normally open, insert the wires from the switch or contacts at pins 1 and 2 of the EPO terminal block. Use 16-28 AWG wire.
2. Secure the wires by tightening the screws.

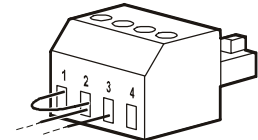
If the contacts are closed, the UPS will turn OFF and power will be removed from the load.



## Normally closed contacts

1. If the EPO switch or relay contacts are normally closed, insert the wires from the switch or contacts at pins 2 and 3 of the EPO terminal block. Use 16-28 AWG wire.
2. Insert a wire jumper between pins 1 and 2. Secure the wires by tightening the three screws at positions 1, 2, and 3.

If the contacts are opened, the UPS will turn OFF and power will be removed from the load.



**Note:** Pin 1 is the power source for the EPO circuit, it provides a few milliamperes of 24 V power.

If the normally closed (NC) EPO configuration is used, the EPO switch or relay should be rated for “dry” circuit applications, the rating should be for low voltage and low current applications. This normally implies the contacts are gold plated.

The EPO interface is a Safety Extra Low Voltage (SELV) circuit. Connect the EPO interface only to other SELV circuits. The EPO interface monitors circuits that have no determined voltage potential. SELV circuits are controlled by a switch or relay properly isolated from mains power. To avoid damage to the UPS, do not connect the EPO interface to any circuit other than a SELV circuit.

Use one of the following cable types to connect the UPS to the EPO switch.

- CL2: Class 2 cable for general use.
- CL2P: Plenum cable for use in ducts, plenums, and other spaces used for environmental air.
- CL2R: Riser cable for use in a vertical run in a floor to floor shaft.
- CLEX: Limited use cable for use in dwellings and for use in raceways.
- Installation in Canada: Use only CSA certified, type ELC, (extra low voltage control cable).
- Installation in countries other than Canada and the USA: Use standard low voltage cable in accordance with national and local regulations.

# Network Management Interface (For NC models only)

---

## Introduction

The UPS has a network port and console port that can be used to access the Network Management Interface. Refer to the Network Management Card utility CD supplied with this product.

## IP Address Configuration

The default TCP/IP configuration setting DHCP, assumes that a properly configured DHCP server is available to provide TCP/IP settings to the Network Management Interface.

If the Network Management Interface obtains an IPv4 address from a DHCP server, use the display interface menus About/Accessory, to see the address.

To setup a static IPv4 address use the display interface Config menu. Set the IP address Subnet Mask and Gateway from the Config menu.

See the User's Guide on the Network Management Card Utility CD for user information about the Network Management Interface and for setup instructions.

## Related Documents

The Network Management Card Utility CD contains the following documentation:

- UPS Network Management Card 2 User's Guide
- Network Management Card Upgrade Utilities
- Security Handbook
- PowerNet Management Information Base (MIB) Reference Guide



# Smart Battery Management

---

## Definitions

- **Battery Module:** A string of battery cells arranged to produce a battery assembly with a connector.
- **Replaceable Battery Cartridge (RBC):** An APC battery cartridge consisting of one battery module. Replacement RBCs can be ordered from the APC by Schneider Electric web site, [www.apc.com](http://www.apc.com).
- **Smart External Battery Pack (XLBP):** An enclosure that contains RBC(s) and battery management electronics.
- **User Interface (UI):** Any interface by which a user can interact with the system. This may include a UPS display interface, a network management interface or PowerChute™ Network Shutdown software.

**NOTE: Do not use a battery that is not APC approved.**

**The system will not detect the presence of a non APC approved battery and may adversely affect the operation of the system.**

**Use of a non APC approved battery will void the manufacturer warranty.**

## Features

Smart Battery Management provides the following features:

- Monitors and informs the user of the health of each RBC.
- Monitors and shows on the UPS Display Interface screen, the date for the end of useful life for each RBC.
- The UPS emits an audible alarm and shows a message on the UPS Display Interface screen to indicate the estimated battery end of life. On the UPS Display Interface screen the user can set the number of days before the audible alarm is heard and the message appears on the UPS Display Interface screen.
- Automatically detects the addition or removal of XLBPs and RBCs.
- Monitors the internal temperature of each XLBP and automatically adjusts the battery charging.

## Maintenance

- **RBC maintenance:** The APC RBC uses sealed, maintenance-free, Valve Regulated Lead-Acid batteries and does not require maintenance.
- **Runtime Test (Calibration):** This should be performed anytime the steady state load is changed significantly, for example a new server is added to or removed from the UPS load.
- **Battery health monitoring:** The battery energy output and voltage are monitored to assess the health of the installed batteries when the UPS is operating on battery. Battery health monitoring is done during a **UPS Self Test**, a **Runtime Calibration Test**, and when the UPS is operating on battery power. The UPS can be configured to perform periodic, automatic **Self Tests**.

## End of useful life

- **Near end of life notification:** A message will appear on the UPS display interface screen when each RBC is approaching the end of its useful life. For configuration details refer to **Replacement Notification Time** and **Replacement Battery Alarm Time**. The estimated replacement date for each RBC is available through the UI.
- **Needs replacement notification:** The UPS display interface screen shows when RBC replacement is required. The RBC must be replaced as soon as possible. When an RBC requires replacement, the UPS display interface may recommend that additional RBCs be replaced if they will soon reach the end of their useful life.

**Note: Continued operation after end of useful life notification may cause damage to the batteries.**

- **Recycling:** Remove the RBC from the XLBP. Recycle the RBC. Do not disassemble an RBC.

## Replace the RBC in a UPS

**An RBC should only be disconnected or removed from the UPS temporarily as part of the battery replacement procedure.**

- Disconnect the connected battery module in the UPS. Slide the RBC out of the UPS.
- Slide the new RBC into the UPS and connect the battery module to the UPS.
- Securely connect the battery module. Press the battery connector into the UPS until it is firmly connected. A battery that is not properly connected will cause erratic UPS operation, abnormal alert messages and connected equipment may not receive battery power during power outages.
- After installing the RBC, the UPS display interface may prompt the user to verify the status of the replaced battery module. If the battery module is new, respond YES. If the battery module is not new, respond NO.

## Recommended actions after installing new RBC

- Verify that the UPS is connected to input power and the output power is turned on. See “Operation” on page 10 for instructions.
- Perform a UPS **Self Test**.
- Verify on the UPS display interface that the installation dates for the replaced RBC is set to the current date. The installation dates can be changed manually on the UPS display interface. For configuration details refer to **Battery Install Date** in the “General settings” on page 15 of this manual.
- Allow the system to charge for 24 hours to ensure full runtime capability.

## XLBP installation and replacement

Refer to the External Battery Pack Installation Guide for installation and replacement instructions.

# Troubleshooting

Use the table below to solve minor installation and operation problems.

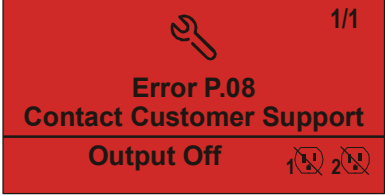
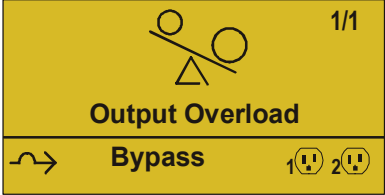
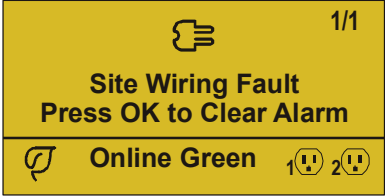
Refer to the APC by Schneider Electric web site, [www.apc.com](http://www.apc.com) for assistance with complex UPS problems.

The UPS features firmware that can be upgraded.

Go to the APC by Schneider Electric web site, [www.apc.com/Support](http://www.apc.com/Support), or contact your local Customer Care Center for more information.

| Problem and Possible Cause  | Solution   |
|---|--|
| <b>UPS is not turning on or there is no output</b>  |  |
| The UPS is not connected to mains power.  | Be sure the power cable is securely connected to the mains power supply.   |
| The UPS display interface screen shows very low or no mains power.                                    | Check the mains power supply to verify acceptable power quality.   |
| There is an internal UPS alert or message.  | The UPS Display Interface screen will show a message to identify the alert or message and corrective action.   |
| <b>UPS emits an audible alarm</b>   |  |
| Normal UPS operation when running on battery power.   | The UPS is operating on battery power.<br>Refer to the status of the UPS as shown on the UPS Display Interface screen.<br>Press any key to mute all audible alarms.  |
| The UPS emits an audible alarm and has a red or amber back light on the UPS Display Interface screen. | The UPS has detected a fault.<br>Refer to the display interface screen for information.  |
| <b>UPS does not provide expected backup time</b>  |  |
| The UPS batteries are weak due to a recent power outage or they are near the end of service life.     | Charge the batteries. Batteries require recharging after extended outages and wear out faster when put into service often or when operated at elevated temperatures. If the batteries are near the end of service life, consider replacing the batteries even if the <b>Replace Battery</b> message is not displayed.  |
| The UPS is experiencing an overload condition.  | The connected equipment exceeds the specified maximum load. Refer to the APC by Schneider Electric web site, <a href="http://www.apc.com">www.apc.com</a> for product specifications.<br><br>The UPS will emit a sustained audible alarm until the overload condition is corrected.<br><br>Disconnect nonessential equipment from the UPS to correct the overload condition. |

| Problem and Possible Cause   | Solution  |
|--|---|
| <b>UPS operates on battery power while connected to mains power</b>  |   |
| The input circuit breaker has tripped.   | Reduce the load on the UPS. Disconnect nonessential equipment and reset the circuit breaker. Check the circuit breaker rating for the connected equipment.  |
| There is very high, very low, or distorted input line voltage.   | <p>Navigate to the UPS Display Interface screen that shows input voltage. Verify that the input voltage is within specified operating limits.</p> <p>If no input voltage is indicated on the UPS Display Interface screen, contact Customer Support through the APC by Schneider Electric web site, <a href="http://www.apc.com">www.apc.com</a>.</p> |
| The UPS Display Interface screen shows the message <b>Waiting for Minimum Runtime</b> .                                      | The UPS has been configured to operate for a specified period of runtime. The setting can be changed through the Config/UPS menus.  |
| <b>UPS Display Interface Status screen shows Overload and the UPS emits a sustained audible alarm</b>                        |   |
| The UPS is experiencing an overload condition.   | <p>The connected equipment exceeds the maximum load rating for the UPS. The UPS will emit a sustained audible alarm until the overload condition is corrected.</p> <p>Disconnect nonessential equipment from the UPS to correct the overload condition.</p>   |
| <b>UPS Display Interface Status screen shows UPS is operating in Bypass mode</b>   |   |
| The UPS received a command to operate in <b>Bypass</b> mode  | No action is required.  |
| The UPS has automatically switched to <b>Bypass</b> mode due to an internal UPS alert or message.                            | The UPS Display Interface screen will show a message to identify the alert or detected error and corrective action.   |
| <b>UPS Display Interface is red or amber and shows an alert or message</b><br><b>The UPS emits a sustained audible alarm</b> |   |
| The UPS has detected a problem during normal operation.  | <p>Follow the instructions on the UPS Display Interface screen.</p> <p>Press any key to mute all audible alarms.</p>  |
| The UPS Display Interface screen shows the message <b>Disconnected Battery</b> .   | <p>Be sure the battery cables are securely connected.</p> <p>Perform a UPS <b>Self Test</b> to be sure the UPS detects all connected batteries.</p> <p>To perform a UPS <b>Self Test</b> use the UPS Display Interface menu option <b>Test and Diagnostics</b>.</p>   |
| The UPS Display Interface screen shows the message <b>Replace Battery</b> .  | Replace all of the batteries. Contact APC by Schneider Electric customer support.   |

| Problem and Possible Cause  | Solution   |
|---|--|
| <p><b>The UPS display turns red or amber, displays an alert message, and emits a sustained audible alarm.</b><br/> <b>Red illumination indicates a UPS alarm that requires immediate attention.</b><br/> <b>Amber illumination indicates a UPS alarm that requires attention.</b></p> |  |
| <p>There is an internal UPS alert or message..</p>   | <p>Do not attempt to use the UPS. Turn the UPS off and have it serviced immediately.</p>   |
| <p>The UPS is experiencing an overload condition.</p>    | <p>Reduce the load on the UPS. Disconnect nonessential equipment.</p>  |
| <p>The UPS has detected a Site Wiring Fault.</p>   | <p>Correct the building site wiring fault or ignore this message. See Config Menu UPS in “General settings” on page 15.</p>  |
| <p><b>The Replace Battery alert is displayed</b></p>  |  |
| <p>The battery has a weak charge.</p>   | <p>Allow the battery to recharge for at least four hours. Then, perform a <b>UPS Self Test</b>. If the problem persists after recharging, replace the battery.</p> |
| <p>The replacement battery is not properly connected.</p>   | <p>Be sure the battery cable is securely connected.</p>  |



# Limited Factory Warranty

---

Schneider Electric IT Corporation (SEIT), warrants its products to be free from defects in materials and workmanship for a period of three (3) years excluding the batteries, which are warranted for two (2) years from the date of purchase. The SEIT obligation under this warranty is limited to repairing or replacing, at its own sole option, any such defective products. Repair or replacement of a defective product or part thereof does not extend the original warranty period.

This warranty applies only to the original purchaser who must have properly registered the product within 10 days of purchase. Products may be registered online at [warranty.apc.com](http://warranty.apc.com).

SEIT shall not be liable under the warranty if its testing and examination disclose that the alleged defect in the product does not exist or was caused by end user or any third person misuse, negligence, improper installation, testing, operation or use of the product contrary to SEIT recommendations of specifications. Further, SEIT shall not be liable for defects resulting from: 1) unauthorized attempts to repair or modify the product, 2) incorrect or inadequate electrical voltage or connection, 3) inappropriate on site operation conditions, 4) Acts of God, 5) exposure to the elements, or 6) theft. In no event shall SEIT have any liability under this warranty for any product where the serial number has been altered, defaced, or removed.

**EXCEPT AS SET FORTH ABOVE, THERE ARE NO WARRANTIES, EXPRESS OR IMPLIED, BY OPERATION OF LAW OR OTHERWISE, APPLICABLE TO PRODUCTS SOLD, SERVICED OR FURNISHED UNDER THIS AGREEMENT OR IN CONNECTION HERewith.**

**SEIT DISCLAIMS ALL IMPLIED WARRANTIES OF MERCHANTABILITY, SATISFACTION AND FITNESS FOR A PARTICULAR PURPOSE.**

**SEIT EXPRESS WARRANTIES WILL NOT BE ENLARGED, DIMINISHED, OR AFFECTED BY AND NO OBLIGATION OR LIABILITY WILL ARISE OUT OF, SEIT RENDERING OF TECHNICAL OR OTHER ADVICE OR SERVICE IN CONNECTION WITH THE PRODUCTS.**

**THE FOREGOING WARRANTIES AND REMEDIES ARE EXCLUSIVE AND IN LIEU OF ALL OTHER WARRANTIES AND REMEDIES. THE WARRANTIES SET FORTH ABOVE CONSTITUTE SEIT'S SOLE LIABILITY AND PURCHASER EXCLUSIVE REMEDY FOR ANY BREACH OF SUCH WARRANTIES. SEIT WARRANTIES EXTEND ONLY TO ORIGINAL PURCHASER AND ARE NOT EXTENDED TO ANY THIRD PARTIES.**

**IN NO EVENT SHALL SEIT, ITS OFFICERS, DIRECTORS, AFFILIATES OR EMPLOYEES BE LIABLE FOR ANY FORM OF INDIRECT, SPECIAL, CONSEQUENTIAL OR PUNITIVE DAMAGES, ARISING OUT OF THE USE, SERVICE OR INSTALLATION OF THE PRODUCTS, WHETHER SUCH DAMAGES ARISE IN CONTRACT OR TORT, IRRESPECTIVE OF FAULT, NEGLIGENCE OR STRICT LIABILITY OR WHETHER SEIT HAS BEEN ADVISED IN ADVANCE OF THE POSSIBILITY OF SUCH DAMAGES. SPECIFICALLY, SEIT IS NOT LIABLE FOR ANY COSTS, SUCH AS LOST PROFITS OR REVENUE, WHETHER DIRECT OR INDIRECT, LOSS OF EQUIPMENT, LOSS OF USE OF EQUIPMENT, LOSS OF SOFTWARE, LOSS OF DATA, COSTS OF SUBSTITUANTS, CLAIMS BY THIRD PARTIES, OR OTHERWISE.**

**NOTHING IN THIS LIMITED WARRANTY SHALL SEEK TO EXCLUDE OR LIMIT SEIT LIABILITY FOR DEATH OR PERSONAL INJURY RESULTING FROM ITS NEGLIGENCE OR ITS FRAUDULENT MISREPRESENTATION OF TO THE EXTENT THAT IT CANNOT BE EXCLUDED OR LIMITED BY APPLICABLE LAW.**

To obtain service under warranty you must obtain a Returned Material Authorization (RMA) number from customer support. Customers with warranty claims issues may access the SEIT worldwide customer support network through the APC by Schneider Electric web site: [www.apc.com](http://www.apc.com). Select your country from the country selection drop down menu. Open the Support tab at the top of the web page to obtain information for customer support in your region. Products must be returned with transportation charges prepaid and must be accompanied by a brief description of the problem encountered and proof of date and place of purchase.





# APC by Schneider Electric Worldwide Customer Support

Customer support for this or any other APC by Schneider Electric product is available at no charge in any of the following ways:

- Visit the APC by Schneider Electric web site to access documents in the APC by Schneider Electric Knowledge Base and to submit customer support requests.
  - **www.apc.com** (Corporate Headquarters)  
Connect to localized APC by Schneider Electric web sites for specific countries, each of which provides customer support information.
  - **www.apc.com/support/**  
Global support searching APC by Schneider Electric Knowledge Base and using e-support.
- Contact the APC by Schneider Electric Customer Support Center by telephone or e-mail.
  - Local, country specific centers: go to **www.apc.com/support/contact** for contact information.
  - For information on how to obtain local customer support, contact the APC by Schneider Electric representative or other distributor from whom you purchased your APC by Schneider Electric product.

© 2021 APC by Schneider Electric. APC, the APC logo, and Smart-UPS are owned by Schneider Electric Industries S.A.S. or their affiliated companies. All other trademarks are property of their respective owners.