

IdeaCentre AIO 5

Setup Guide

The Lenovo logo is positioned in the bottom right corner of the page. It consists of a red vertical rectangle with the word "Lenovo" written in white, oriented vertically from bottom to top.

Lenovo

Access User Guide



The illustrations are for your reference.



See *User Guide* for USB transfer rate.



For selected models

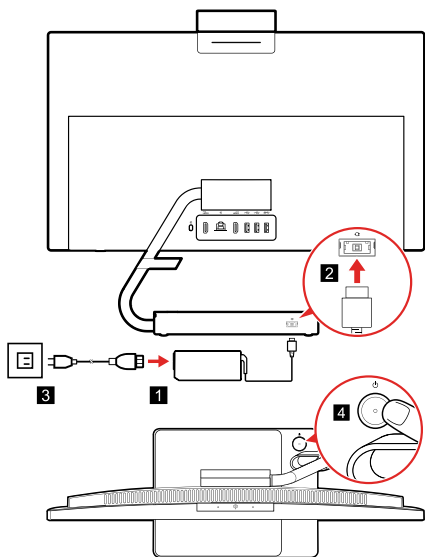
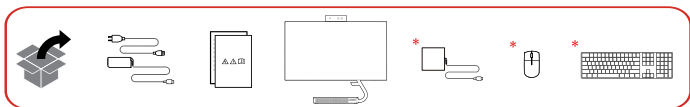


Customer replaceable units (CRUs). See *User Guide* for definition.

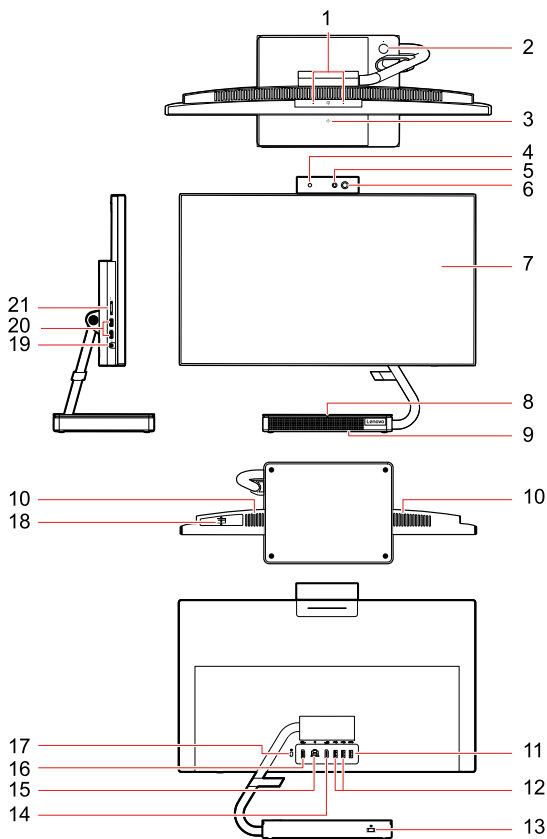


Either an integrated camera or an infrared camera is provided on your computer.

Initial Setup



Overview



1. Integrated microphones (2)
2. Power button
- * 3. Wireless charging pad
4. Integrated camera activity indicator
- *** 5. Integrated camera
- *** 6. Infrared camera
7. Screen
- * 8. Wireless charging indicator
9. Internal speakers
10. Internal speakers (2)
- * 11. USB 3.1 connector Gen 1/
USB 3.1 connector Gen 2/
USB-C™ connector (USB 3.1 Gen 1)
12. USB 2.0 connectors (2)
13. Power adapter connector
14. HDMI™ 1.4 out connector
15. Ethernet connector
16. HDMI 1.4 in connector
17. PC/Monitor mode switcher
- * 18. Storage drive door
19. Combo audio jack
- * 20. USB 3.1 connectors Gen 1 (2)/
USB 3.1 connectors Gen 2 (2)
21. 3 in 1 SD card slot

Customer Replaceable Units (CRUs) **

- * • Storage device
- * • Storage drive bracket
- Hinge bracket

Additional information

European Union – compliance with the Radio Equipment Directive

Hereby, Lenovo (Singapore) Pte. Ltd., declares that the radio equipment types IdeaCentre AIO 5 27IMB05 and IdeaCentre AIO 5 24IMB05 are in compliance with Directive 2014/53/EU.

The full text of the system EU declaration of conformity is available at the following Internet address:

<https://www.lenovo.com/us/en/compliance/eu-doc>

This radio equipment operates with the following frequency bands and maximum radio-frequency power:

Technology	Frequency band [MHz]	Maximum transmit power
WLAN 802.11b/g/n/ax	2400 - 2483.5	< 20 dBm
WLAN 802.11a/n/ac/ax	5150 - 5725	< 23 dBm
WLAN 802.11a/n/ac/ax	5725 - 5875	< 13.98 dBm
Bluetooth BR/EDR/LE	2400 - 2483.5	< 20 dBm
WPC	0.11 - 0.145	< 13 dB μ A/m/@10m

Usage of all the radio devices is limited to indoor in the band 5150 MHz to 5350 MHz (channels 36, 40, 44, 48, 52, 56, 60, 64).

Third Edition (March 2020)

© Copyright Lenovo 2020

LIMITED AND RESTRICTED RIGHTS NOTICE: If data or software is delivered pursuant to a General Services Administration "GSA" contract, use, reproduction, or disclosure is subject to restrictions set forth in Contract No. GS-35F-05925.



Reduce | Reuse | Recycle