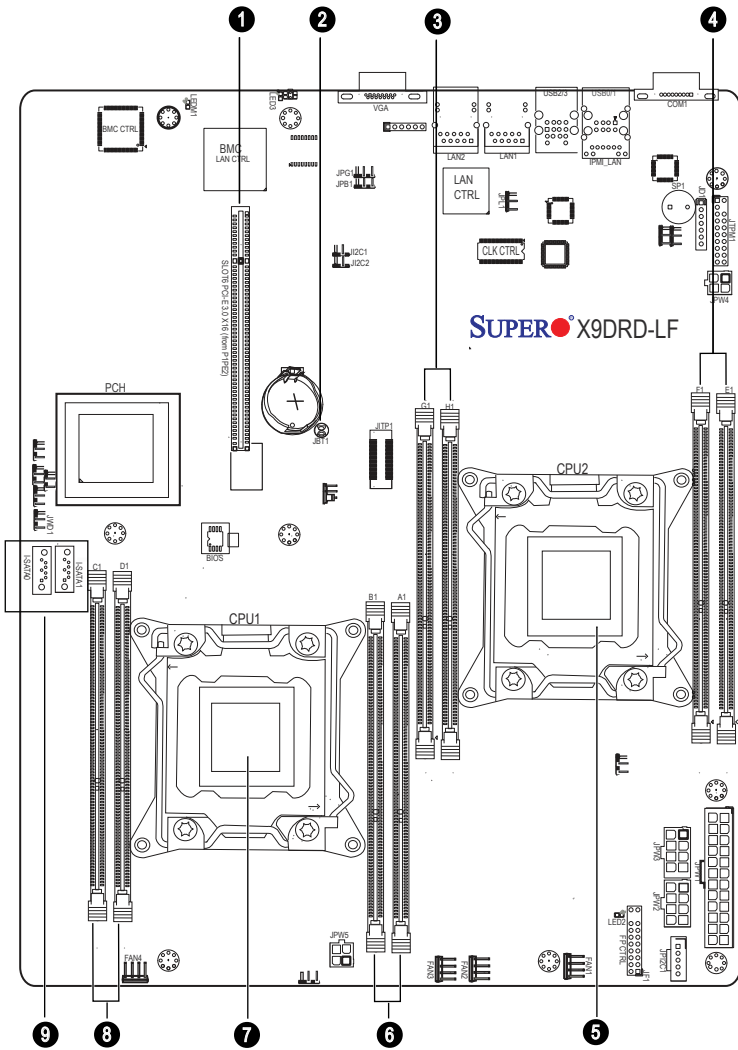


SUPERMICR[®] SuperServer 6017R-TDLF Quick Reference Guide

Board Layout



No.	Description
1	Slot6 PCI-E 3.0 x16 (from P1PE2)
2	JBT1 = CMOS Reset
3	DIMMG1/DIMMH1 slot
4	DIMME1/DIMMF1 slot
5	CPU2 socket
6	DIMMA1/DIMMB1 slot
7	CPU1 socket
8	DIMMC1/DIMMD1 slot
9	I-SATA0/1: Onboard SATA 3.0 Ports 0/1

Memory

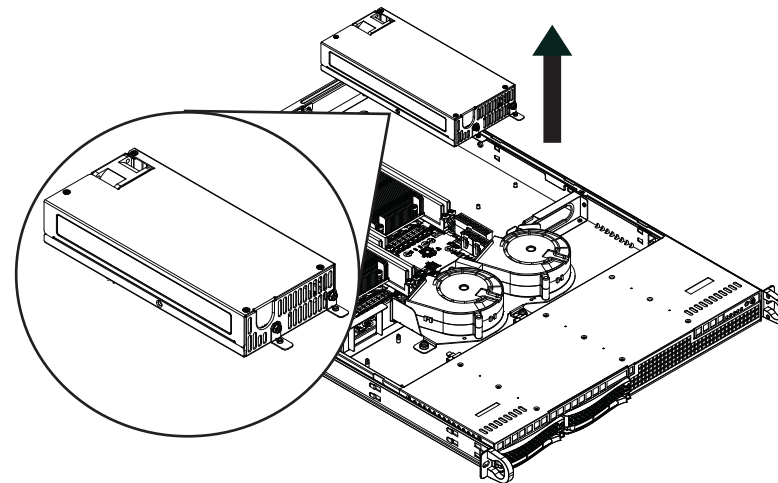
Processors and their Corresponding Memory Modules

CPU#	Corresponding DIMM Modules			
CPU1	P1-DIMMA1	P1-DIMMB1	P1-DIMMC1	P1-DIMMD1
CPU2	P2-DIMME1	P2-DIMMF1	P2-DIMMG1	P2-DIMMH1

Processor and Memory Module Population

Number of CPUs+DIMMs	CPU and Memory Population Configuration Table (*For memory to work proper, please install DIMMs in pairs)
1 CPU & 2 DIMMs	CPU1 P1-DIMMA1/P1-DIMMB1
1 CPU & 4 DIMMs	CPU1 P1-DIMMA1/P1-DIMMB1, P1-DIMMC1/P1-DIMMD1
2 CPUs & 2 DIMMs	CPU1 + CPU2 P1-DIMMA1, P2-DIMME1
2 CPUs & 4 DIMMs	CPU1 + CPU2 P1-DIMMA1/P1-DIMMB1, P2-DIMME1/P2-DIMMF1
2 CPUs & 6 DIMMs	CPU1 + CPU2 P1-DIMMA1/P1-DIMMB1/P1-DIMMC1, P2-DIMME1/P2-DIMMF1/P2-DIMMG1
2 CPUs & 8 DIMMs	CPU1 + CPU2 P1-DIMMA1/P1-DIMMB1/P1-DIMMC1/P1-DIMMD1, P2-DIMME1/P2-DIMMF1/P2-DIMMG1/P2-DIMMH1

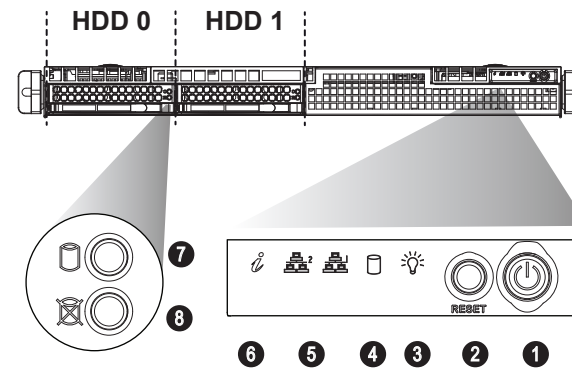
Install a New Power Supply



Replacing the Power Supply

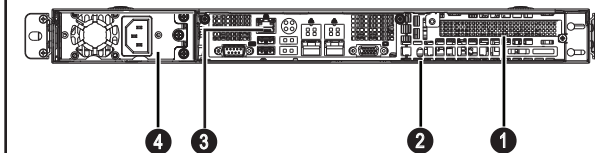
1. Unplug the power cord from the system.
2. To remove the failed power unit, remove the two screws on the back of the power supply, which secure it to the chassis. You can then lift the unit straight out of the chassis.
3. Replace the failed unit with another unit of the same wattage. It is highly recommended to replace it with the exact same power supply.
4. Carefully insert the new unit into position in the chassis and secure it with the two screws at the rear of the unit.
5. Before reconnecting the power cord, make sure the power switch on the power supply is in the off position. Then reconnect the power cord, replace the chassis top cover and push the unit back into the rack.
6. Finish by turning the power switch on the power supply on, and then depress the power button on the front of the system.

Front View & Interface



No.	Description
1	Power Button
2	Reset Button
3	Power LED
4	Device Activity LED
5	LAN1 LED & LAN2 LED
6	Information LED
7	Hard Drive Signal
8	Hard Drive Fail

Rear View

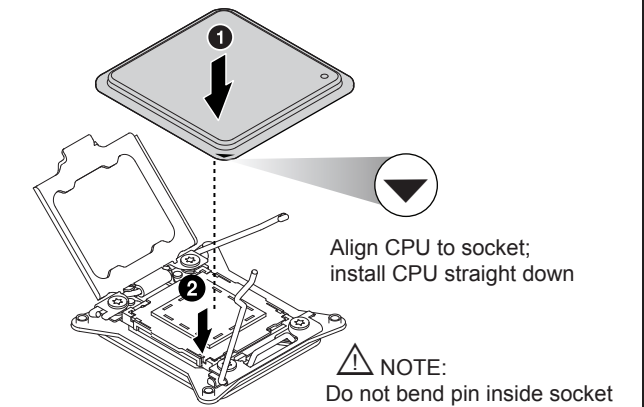


No.	Description
1	PCI Expansion Slot (w/riser card) (FHHL)
2	UID Button
3	Dedicated LAN for IPMI
4	Power Supply Module

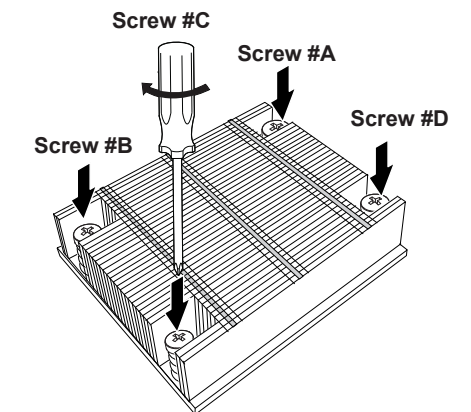
Beep Codes

BIOS Error Beep Codes		
Beep Code/LED	Error Message	Description
1 beep	Refresh	Ready to boot
5 short beeps + 1 long beep	Memory error	No memory detected in the system
5 beeps	No Con-In or No Con-Out devices	Con-In: USB or PS/2 keyboard, PCI or Serial Console Redirection, IPMI KVM or SOL Con-Out: Video Controller, PCI or Serial Console Redirection, IPMI SOL
X9 IPMI Error Codes		
1 Continuous Beep	System OH	System Overheat

CPU Installation



Heatsink Installation



1. Place heatsink on top of installed CPU
2. Line up the four screws to socket
3. Push down heatsink and screw down as shown (cross pattern, in order: A, C, B, D)
4. NOTE: Only use 6-8 lb/f of torque; otherwise, hand-tighten each screw, to avoid damaging the system

Caution

SAFETY INFORMATION
IMPORTANT: See installation instructions and safety warning before connecting system to power supply.
http://www.supermicro.com/about/policies/safety_information.cfm

WARNING:
To reduce risk of electric shock/damage to equipment, disconnect power from server by disconnecting all power cords from electrical outlets.
If any CPU socket empty, install protective plastic CPU cap

CAUTION:
Always be sure all power supplies for this system have the same power output. If mixed power supplies are installed, the system will not operate.

For more information go to :
<http://www.supermicro.com/support>

