

# USB 2.0 4-Port BoostLinq Ethernet - 164ft, 4-Port USB Extender over Cat5/Cat5e/Cat6 Ethernet Cable

GUCE64



- Extend four USB 2.0 or USB 1.1 devices up to 164 feet (50 meters) over Cat5, Cat5e or Cat6 Ethernet cable
- USB 2.0 High Speed (480Mbps), backwards compatible with USB 1.1 Full Speed (12Mbps)
- Built-in hub to connect up to 4 USB 2.0 or USB 1.1 devices
- Support suspend / resume detection
- Plug-n-Play - no driver required
- Power supply included
- TAA compliant

## USB 4-Port Extender via Ethernet Cable

The IOGEAR USB 2.0 4-Port BoostLinq Ethernet combines a USB extender and a USB hub to allow connecting as many as four USB 2.0 (and/or USB 1.1) devices from up to 164 feet away from your computer. Connected devices still maintain a high-speed data transfer rate of up to 480Mbps, while operating from a more convenient location. The USB 2.0 4-Port BoostLinq Ethernet converts a USB 2.0 or USB 1.1 connection to RJ-45, and sends the USB data over common Cat5, Cat5e or Cat 6 Ethernet cable up to a distance of 164 feet (50 meters). The USB 2.0 4-Port BoostLinq Ethernet is considered an active repeater, using a small power supply to amplify the USB signal and preserve the integrity of the data over long distances. The power supply also helps maintain enough current to power any connected USB devices such as webcams, hard drives, etc.

## How it works

The USB 2.0 4-Port BoostLinq Ethernet kit includes a local unit, a remote unit and a power supply. The local unit connects directly to your computer while the remote unit connects with up to four USB devices. The local and remote units are connected to each other with Cat5, Cat5e, or Cat6 Ethernet cabling (not included) up to a maximum length of 164 feet (50 meters). The GUCE64 is simple to set up and requires no additional drivers to install.

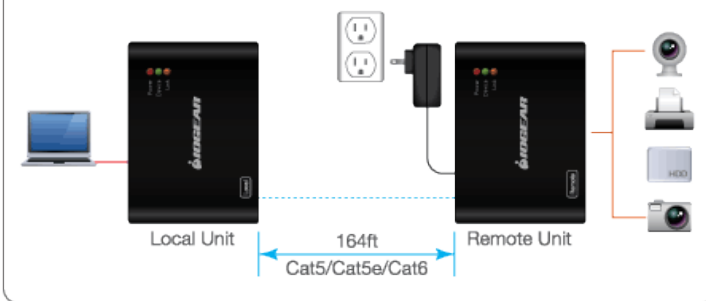
## Why you need it

Designed with classrooms, labs, offices and conference rooms in mind, the USB 2.0 4-Port BoostLinq Ethernet offers an easy means of operating USB devices at an extended distance from your computer. Typical USB devices are limited to a maximum distance of 16ft before signal loss causes significant problems. Unlike ordinary passive USB extension cables, the GUCE64 uses active amplification so you can place devices on the other side of your office, or even the other side of the building (up to 164ft distance). The USB 2.0 4-Port BoostLinq Ethernet makes it easy to connect your USB 2.0 peripherals such as scanners, printers, cameras, electronic whiteboards, etc. and is backward compatible with most USB 1.1 devices. Please note that maximum transfer rate drops to 12Mbps with USB 1.1 devices connected.



# USB 2.0 4-Port BoostLinq Ethernet - 164ft, 4-Port USB Extender over Cat5/Cat5e/Cat6 Ethernet Cable

## How does it work?



## Product Requirements

- Hardware:**
- USB 2.0 port
  - USB 2.0 or USB 1.1 device
  - Cat5, Cat5e, or Cat6 Ethernet cable
- Operating System:**
- Windows Vista®, Windows® 7, Windows® 8, Windows® 8.1
  - Mac OS X 10.3.9+
  - Linux Kernel
  - Google Chrome OS™

## Package Contents

- 1 x GUCE64 Local unit
- 1 x GUCE64 Remote unit
- 1 x USB Type A to B Cable
- 1 x Power Adapter
- 1 x Quick Start Guide
- 1 x Warranty Card

## Specifications

Function	GUCE64	Dimensions	GUCE64
Operating System Requirements		Unit Dimensions	
Windows	Windows Vista®, Windows® 7, Windows® 8, Windows® 8.1	Height	.9" (2.3cm)
Mac	Mac OS X10.3+	Depth	2.7" (6.8cm)
USB Specification	USB 2.0	Length	3.7" (9.5cm)
Cable Connections		Inner Pack	
Input	Transmitter: USB Type B Female x 1; Receiver: RJ45 Ethernet Connector	Width	9.65" (24.5cm)
Output	Transmitter: RJ45 Ethernet connector; Receiver: USB Type A Female x 4	Height	5.16" (13.1cm)
Transfer Rate	Up to 480 Mbps	Depth	8" (20.4cm)
Cable Length	Transmitter: USB cable 1ft (included); Receiver: Cat 5, Cat 5e or Cat 6 cable (not included) up to 164ft (50m)	Inner Pack Qty.	6
Cable Distance	Maximum cable distance from Transmitter to Receiver: 164ft (50m)	Unit Package Dimensions	
Cable Type	Ethernet Cat 5, Cat 5e or Cat 6 required for connection between receiver and transmitter.	Width	3.8" (9.7")
Connectors		Height	4.7" (12cm)
AC Power Inlets	Barrel type	Depth	3.1" (7.8cm)
Max Output Power	500mA @ 5V	Master Carton	
Power Supply	2A @ 5VDC	Width	8.5" (21.7cm)
LEDs		Height	11.3" (28.7cm)
Power On		Depth	10.4" (26.5cm)
Operating Temperature	32F ~ 122F(0 C ~ 50C)	Master Carton Qty.	12
		Weight	
		Master Carton Wt.	9.9lb (4.5kg)
		Inner Pack Wt.	4.69lb (2.09kg)
		Unit Pack Wt.	.7lb (.3kg)
		Unit Wt.	.39lb (.18kg)