

Technical Specifications

HP LD5512 55-Inch Large Format Conferencing Display

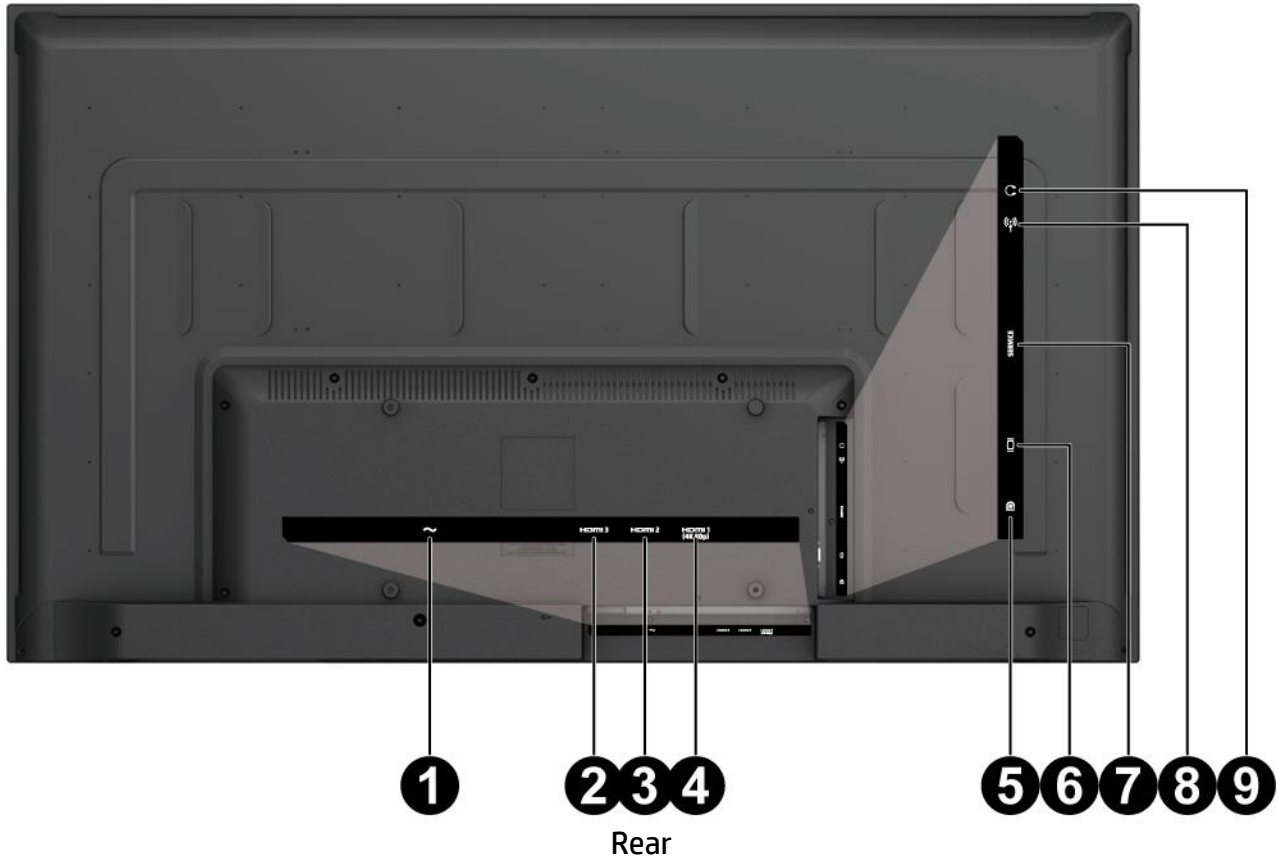


Front

- | | |
|---|--------------------------------|
| 1. Menu / OK | 4. Next Input / Exit |
| 2. Information or Auto Adjustment / Minus | 5. Power |
| 3. Viewing Modes / Plus | 6. LED Indicator / IR receiver |

Technical Specifications

HP LD5512 55-Inch Large Format Conferencing Display



- | | |
|--|---------------------|
| 1. Power connector | 6. VGA connector |
| 2. HDMI3 connector (HDMI 1.4) | 7. USB connector |
| 3. HDMI2 connector (HDMI 1.4) | 8. Audio input |
| 4. HDMI1 connector (HDMI 2.0) | 9. Headphone output |
| 5. DisplayPort™ connector (DisplayPort™ 1.2) | |

Technical Specifications

Model: 2YD85AA

Panel Specifications*	Display Size (Diagonal)	55-inch
	Display Panel Type	ADS
	Native Resolution/Timing	3840×2160 @ 60 Hz
	NOTE: DP 1.2 or HDMI 2.0 support native 3840 x 2160	
	Panel Bit Depth	10-bit (8+2 FRC)
	Aspect Ratio	16:9
	Brightness - Typical	350cd/m ² (Typ.)
	Static Contrast Ratio - Typical	1200:1
	Static Contrast Ratio - Minimum	1000:1
	Dynamic Contrast Ratio (DCR)	8,000,000:1 (Typ.)
	NOTE: Dynamic Contrast Ratios during video playback only, depending on series of frames or time duration.	
	Pixel Pitch	315(H)× 315 (V) um
	Backlight Lamp Life (to half brightness - in hours)	30,000 hours minimum
	Anti-Glare Panel	Yes
	Response Time – Typical	8ms(Typ.) (GTG)
	Horizontal Viewing Angle (typical CR>10)	178°
	Vertical Viewing Angle (typical CR>10)	178°
	Panel Active Area (w x h)	1209.6(H) × 680.4(V)mm
	Preset Graphic Modes/Supported Resolutions	640x480@60Hz 720x400@70Hz 800x600@60Hz 1024x768@60Hz 1280x1024@60Hz 1440x900@60Hz 1600x900@60Hz 1920x1080@60Hz 1920x1200@60Hz 2560x1440@60Hz 2560x1600@60Hz 3840x2160@60Hz
	Maximum Resolution	3840 ×2160 @ 60Hz
	Recommended Resolution	3840 ×2160 @ 60Hz
Vertical Scan Range	24Hz - 60Hz	
Horizontal Scan Range	27kHz - 136kHz	
Maximum Pixel Clock Speed	600MHz	
<i>*All performance specifications represent the typical specifications provided by HP's component manufacturers; actual performance may vary either higher or lower.</i>		
Color Gamut Coverage	NTSC	72%
	sRGB	99%
Color Management	Factory Color Presets	Native
	Color Space / Subsampling Support	RGB 4.4,4
	Default Color Temperature	Panel Native (11500K)
	RGB Channel Adjust	Yes, Gain
Monitor Specifications	Exterior Color of Monitor Bezel	Black
	Plug & Play	Yes
	VESA Mounting	Yes, 400x200mm
	Security Lock Ready	Yes

Technical Specifications

	Warranty	3/3/0
Multimedia	Speakers Speakers Output Power	Yes, 2 pcs 6W
On Screen Display (OSD)	On Screen Display User Controls	Brightness Color Control Input Control Image Control Audio Control PIP Control Power Control Menu Control Management Information
	User Programmable Modes Monitor Control Buttons or Switches	Yes, 20 Menu Minus ("-") Plus ("+") Input Control OK/Auto Power
	User-Assignable Function Buttons Audio Controls Languages	Yes, 3 Yes, Volume 10 (English, Spanish, German, French, Italian, Netherlands, Portuguese, Japanese, T-Chinese and S-Chinese)
Connector Types	DisplayPort™ HDMI VGA HDCP Support	Yes, DisplayPort™ 1.2 x1 (3840x2160 @60Hz) Yes, HDMI 2.0/HDCP2.2 x 1 + HDMI 1.4/HDCP1.4 x 2 Yes Yes, HDMI 2.0/HDCP2.2 x 1 + HDMI 1.4/HDCP1.4 x 2 + DP1.2/HDCP1.3 x 1
	Audio Output Audio Input	Yes, Analog. speaker 6W+6W Yes, Analog
USB Port Specifications	USB Version	2.0
	Upstream Ports	1 port, Service data input only.
Special Features	Picture-in-Picture, Picture-by-Picture User Updateable Firmware	Yes Yes (in service mode)
Power & Operating Specs	Power Supply Input Power Power Consumption – Maximum Energy Saving/Standby Mode Power Consumption – Typical Power cable length	Internal 100 - 240 VAC 50/60 Hz 130 W 0.5 W 90 W 1.83 m
ENERGY STAR® Data	Operational Mode at 100 VAC Operational Mode at 115 VAC Operational Mode at 230 VAC	89.9W 89.3W 88.2W
Operating Conditions	Operating Temperature - Celsius Operating Temperature - Fahrenheit Non-operating Temperature - Celsius	0C to 40C 32F to 104F -20C to 60C

Technical Specifications

	Non-operating Temperature - Fahrenheit	-4F to 140F	
	Operating Humidity	no higher than 80%	
	Non-operating Humidity	0%~90%	
	Operating Altitude	5000m	
Environmental Features and Certifications	Mercury-free LED display backlighting	Yes	
	Agency Approvals and Certifications	CE/CB/KC/MSIP/e-standby/Bauart/ErP/MPRII/ICE/TUV-S/EAC/cTUVus/PSB/ISC/CCC/CEL/CECP/SEPA/GOST-R/SII/Energy Star/ISC/VCCI/FCC/BSMI/S-Mark/SASO/SABS/Mexico energy/Mexico CoC/PSE/C-tick/BIS/EU REACH/EU RoHS/Voluntary materials restrictions/WEEE	
Unit Product/Package Specifications	Product Dimensions Packaged Dimensions (W x D x H)	1385mm x 175mm x 829mm	54.52 x 6.89 x 32.63 in
	Display Head Dimensions Unpacked(W x D x H)	1241.6 mm x 69.9 mm x 721.2mm	48.88 x 2.75 x 28.39 in
	Bezel Measurements	Top 15.23mm Side 16 mm Bottom 23.04mm	Top 0.598 in Side 0.63 in Bottom 0.91in
	Product Weight, Packed	19.1 kg	42.11 lb
	Product Weight, Unpacked	14 kg	30.86 lb
What's in the box?	Documentation	Power cord, DP cable, HDMI cable, Remote controller, Warranty and Production notice	
	User Guide Languages	English, Arabic, S. Chinese, T. Chinese, Czech, Danish, Dutch, Finnish, French, German, Greek, Hungarian, Italian, Japanese, Kazakh, Korean, Norwegian, Polish, Brazilian Portuguese, Russian, Slovenian, Spanish, Swedish and Turkish.	
Other	Warranty Languages	English, Arabic, S. Chinese, T. Chinese, Czech, Danish, Dutch, Finnish, French, German, Greek, Hungarian, Italian, Japanese, Kazakh, Korean, Norwegian, Polish, Brazilian Portuguese, Russian, Slovenian, Spanish, Swedish and Turkish.	
Service and Warranty	Protected by HP, including a 3-year standard limited warranty. Optional HP Care Pack Services are extended service contracts that extend your protection beyond the standard warranties. ¹		

Technical Specifications

ENVIRONMENTAL DATA

Eco-Label Certifications & declarations	This product has received or is in the process of being certified to the following approvals and may be labeled with one or more of these marks: IT ECO declaration US ENERGY STAR®		
Energy Consumption (in accordance with US ENERGY STAR® test method)	115VAC, 60Hz	230VAC, 50Hz	100VAC, 50Hz
Normal Operation	89.29 W	88.22 W	89.90 W
Sleep	0.36 W	0.47 W	0.35 W
Off	N/A	N/A	N/A
Heat Dissipation*	115VAC, 60Hz	230VAC, 50Hz	100VAC, 50Hz
Normal Operation	305 BTU/hr	302 BTU/hr	307 BTU/hr
Sleep	1 BTU/hr	2 BTU/hr	1 BTU/hr
Off	N/A	N/A	N/A
	*NOTE: Heat dissipation is calculated based on the measured watts, assuming the service level is attained for one hour.		
Additional Information	<p>This product is in compliance with the Restrictions of Hazardous Substances (RoHS) directive - 2002/95/EC.</p> <p>This HP product is designed to comply with the Waste Electrical and Electronic Equipment (WEEE) Directive – 2002/96/EC.</p> <p>This product is in compliance with California Proposition 65 (State of California; Safe Drinking Water and Toxic Enforcement Act of 1986).</p> <p>Plastics parts weighing over 25 grams used in the product are marked per ISO 11469 and ISO1043.</p> <p>This product contains 0% post-consumer recycled plastic (by wt.)</p> <p>This product is 96.4% recycle-able when properly disposed of at end of life.</p>		
Packaging Materials	External:	PAPER/Corrugated	3430 g
		PAPER/Paper	76 g
		PAPER/Paperboard	286 g
	Internal:	PLASTIC/Polyethylene Expanded – EPE	544 g
		PLASTIC/Polystyrene Expanded - EPS	146 g
RoHS Compliance	HP, Inc. is committed to compliance with all applicable environmental laws and regulations, including the European Union Restriction of Hazardous Substances (RoHS) Directive. HP's goal is to exceed compliance obligations by meeting the requirements of the RoHS Directive on a worldwide basis. By July 1, 2006, RoHS substances will be virtually eliminated (virtually = to levels below legal limits) for all HP electronic products subject to the RoHS Directive, except where it is widely recognized that there is no technically feasible alternative (as indicated by an exemption under the EU RoHS Directive).		

Technical Specifications

<p>Material Usage</p>	<p>This product does not contain any of the following substances in excess of regulatory limits (refer to the HP General Specification for the Environment at http://www.hp.com/hpinfo/globalcitizenship/environment/pdf/gse.pdf):</p> <ul style="list-style-type: none"> Asbestos Certain Azo Colorants Certain Brominated Flame Retardants – may not be used as flame retardants in plastics Cadmium Chlorinated Hydrocarbons Chlorinated Paraffins Formaldehyde Halogenated Diphenyl Methanes Lead carbonates and sulfates Lead and Lead compounds Mercuric Oxide Batteries Nickel – finishes must not be used on the external surface designed to be frequently handled or carried by the user. Ozone Depleting Substances Polybrominated Biphenyls (PBBs) Polybrominated Biphenyl Ethers (PBBEs) Polybrominated Biphenyl Oxides (PBBOs) Polychlorinated Biphenyl (PCB) Polychlorinated Terphenyls (PCT) Polyvinyl Chloride (PVC) – except for wires and cables, and certain retail packaging has been voluntarily removed from most applications. Radioactive Substances Tributyl Tin (TBT), Triphenyl Tin (TPT), Tributyl Tin Oxide (TBTO)
<p>Packaging</p>	<p>HP follows these guidelines to decrease the environmental impact of product packaging:</p> <ul style="list-style-type: none"> Eliminate the use of heavy metals such as lead, chromium, mercury and cadmium in packaging materials. Eliminate the use of ozone-depleting substances (ODS) in packaging materials. Design packaging materials for ease of disassembly. Maximize the use of post-consumer recycled content materials in packaging materials. Use readily recyclable packaging materials such as paper and corrugated materials. Reduce size and weight of packages to improve transportation fuel efficiency. Plastic packaging materials are marked according to ISO 11469 and DIN 6120 standards.
<p>End-of-life Management and Recycling</p>	<p>Hewlett-Packard offers end-of-life HP product return and recycling programs in many geographic areas. To recycle your product, please go to: http://www.hp.com/go/reuse-recycle or contact your nearest HP sales office. Products returned to HP will be recycled, recovered or disposed of in a responsible manner.</p> <p>The EU WEEE directive (2002/95/EC) requires manufacturers to provide treatment information for each product type for use by treatment facilities. This information (product disassembly instructions) is posted on the Hewlett Packard web site at: http://www.hp.com/go/recyclers. These instructions may be used by recyclers and other WEEE treatment facilities as well as HP OEM customers who integrate and re-sell HP equipment.</p>

Technical Specifications

HP, Inc. Corporate Environmental Information	For more information about HP's commitment to the environment: Global Citizenship Report http://www.hp.com/hpinfo/globalcitizenship/gcreport/index.html Eco-label certifications http://www.hp.com/hpinfo/globalcitizenship/environment/productdesign/ecolabels.html ISO 14001 certificates: http://h20195.www2.hp.com/V2/GetDocument.aspx?docname=c04755842 and http://www.hp.com/hpinfo/globalcitizenship/environment/pdf/cert.pdf

Technical Specifications

Copyright © 2018 HP Development Company, L.P.

The information contained herein is subject to change without notice. The only warranties for HP products are set forth in the express limited warranty statements accompanying such products. Nothing herein should be construed as constituting an additional warranty. HP shall not be liable for technical or editorial errors or omissions contained herein.

DisplayPort™ and the DisplayPort™ logo are trademarks owned by the Video Electronics Standards Association (VESA®) in the United States and other countries.

ENERGY STAR® is a registered trademark owned by the U.S. Environmental Protection Agency.

1. Care Packs are sold separately. Service levels and response times for HP Care Pack Services may vary depending on your geographic location. Service starts on date of hardware purchase. Restrictions and limitations apply. See <http://www.hp.com/go/cpc> for details.

HP services are governed by the applicable HP terms and conditions of service provided or indicated to Customer at the time of purchase. Customer may have additional statutory rights according to applicable local laws, and such rights are not in any way affected by the HP terms and conditions of service or the HP Limited Warranty provided with your HP Product.

