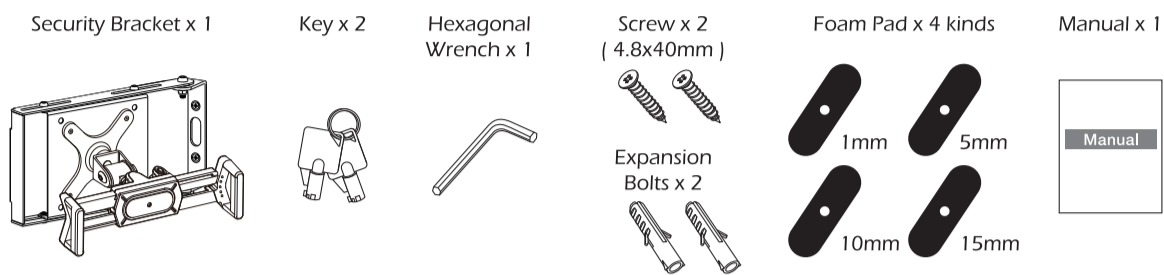


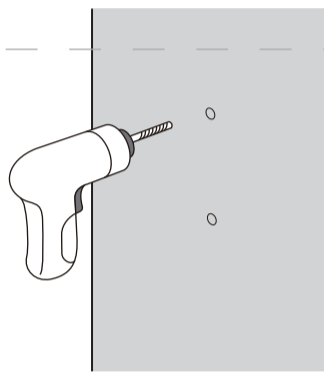


Universal Security Mullion Side Mount for 7-14 Inch Tablets PAD-MULUS

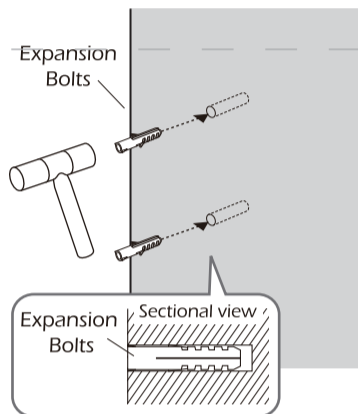
Contents



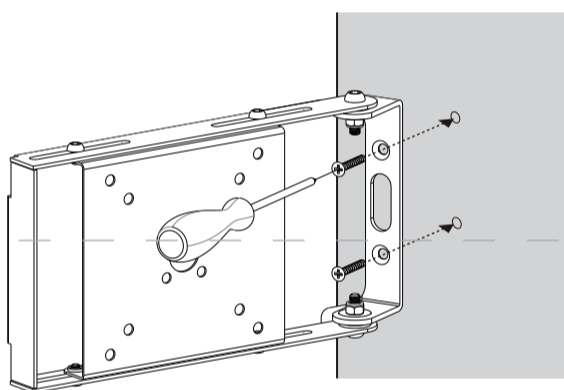
Mounting Bracket On The Wall



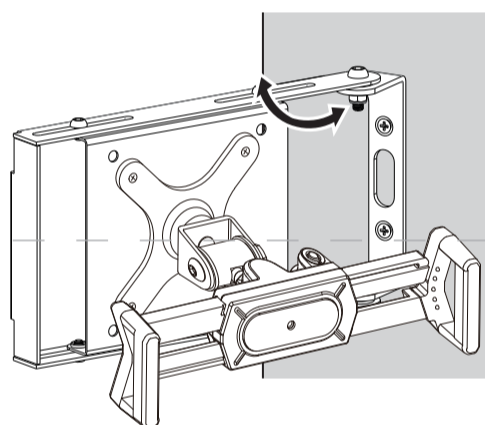
1. Drill a hole in the wall to these specifications:
diameter: 6.5~7mm
depth: 40~45mm



2. Knock the expansion bolts completely into the wall.

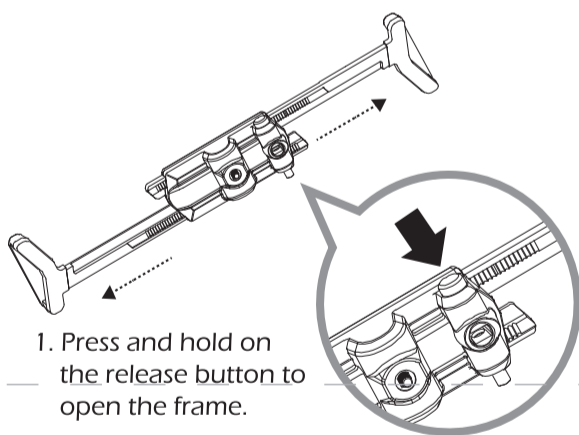


3. Fix it with screws on the wall.

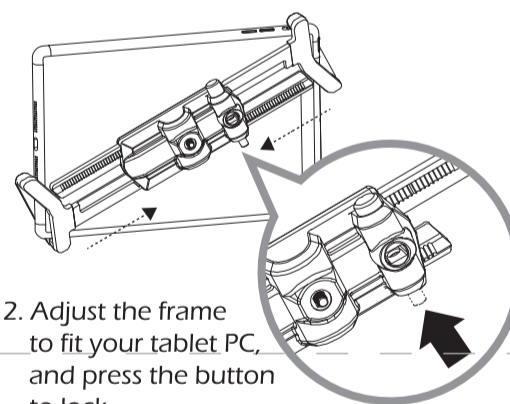


4. The bracket can adjust the angle, and it can also fit perfectly to the wall.

Lock The Security Frame

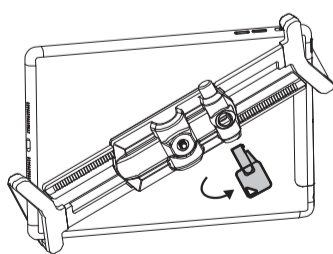


1. Press and hold on the release button to open the frame.

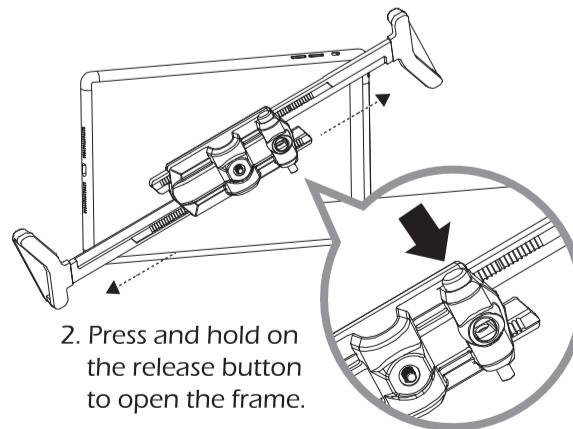


2. Adjust the frame to fit your tablet PC, and press the button to lock.

Unlock The Security Frame



1. Insert the key into the lock slot to unlock the frame.



2. Press and hold on the release button to open the frame.