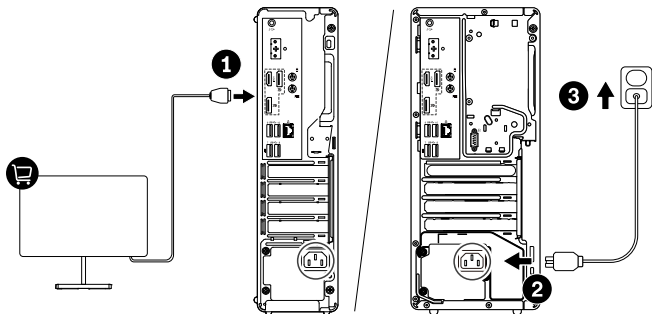
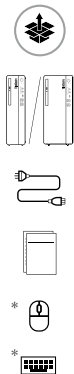
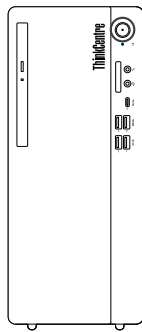
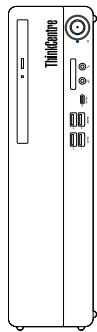


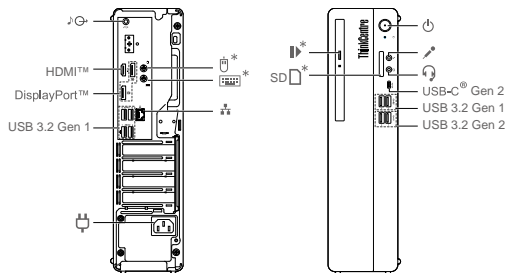
# **ThinkCentre** M80s Gen 3 / M80t Gen 3



\* For selected models | Sur certains modèles | Für ausgewählte Modelle | Per alcuni modelli | Voor bepaalde modellen | Σε επιλεγμένα μοντέλα | لطرز محددة



## M80s Gen 3



- 🎵🔊 Audio line-out connector  
Connecteur de sortie ligne audio  
Audioausgangsanschluss  
Connettore di uscita audio  
Audio-lijnuitgang  
Υποδοχή εξόδου ήχου  
موصل خرج الصوت

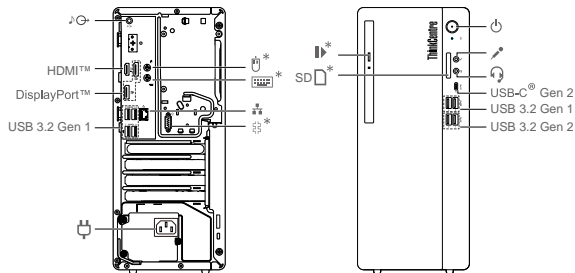


For Barcode Position Only

Printed in China PN: SPXXXXXX

Lenovo

## M80t Gen 3



🔊 → Audio line-out connector  
Connecteur de sortie ligne audio  
Audioausgangsanschluss  
Connettore di uscita audio  
Audio-lijnitgang  
Υποδοχή εξόδου ήχου  
موصل خرج الصوت

🔌 Serial Connector  
Connecteur série  
Serieller Anschluss  
Connettore seriale  
Seriele aansluiting  
Σειριακή υποδοχή  
الموصل التسلسلي



## [English]

### USB transfer rate

Read the statement on USB transfer rate in the *User Guide*. To access the *User Guide*, go to <https://pcsupport.lenovo.com>.

### European Union (EU) / United Kingdom (UK) — radio frequency and power

This radio equipment operates with the following frequency bands and maximum radio-frequency power:

Technology	Frequency band [MHz]	Maximum transmit power
WLAN 802.11b/g/n/ax	2400 - 2483.5	< 20 dBm
WLAN 802.11a/n/ac/ax	5150 - 5725	< 23 dBm
WLAN 802.11a/n/ac/ax	5725 - 5875	< 13.98 dBm
WLAN 802.11ax	5945 - 6425	< 23 dBm
Bluetooth BR/EDR/LE	2400 - 2483.5	< 20 dBm

Note: Not all wireless bands may be enabled depending on your product configuration. Usage of this device is limited to indoor locations in the bands 5150 - 5350 MHz and 5945 - 6425 MHz.

LENOVO, LENOVO logo, THINKCENTRE, THINKCENTRE logo are trademarks of Lenovo. DisplayPort is a trademark of the Video Electronics Standards Association. The terms HDMI and HDMI High-Definition Multimedia Interface are trademarks or registered trademarks of HDMI Licensing LLC in the United States and other countries. USB-C is a registered trademark of USB Implementers Forum. All other trademarks are the property of their respective owners.

First Edition (March 2022)

© Copyright Lenovo 2022.

LIMITED AND RESTRICTED RIGHTS NOTICE: If data or software is delivered pursuant to a General Services Administration "GSA" contract, use, reproduction, or disclosure is subject to restrictions set forth in Contract No. GS-35F-05925.

Reduce | Reuse | Recycle

