

Quick Start Guide

For Health and safety information, refer to the sheet [LS-TEMP-0001](#).

The CoreStation VFC640 and WFC640 are based on the Dell EMC PowerEdge FC640 blade server with an Amulet Hotkey PCIe Quad-Expansion module. The Quad-Expansion module can provide the functionality for one-to-one (1:1) host workstations, or VDI to deliver superior scalability, reliability and performance.

This guide tells you how to install a Quad-Expansion module into a FX2s chassis.

- Expansion modules can provide VDI solutions: All Quad-Expansion modules use DXF-G GPU cards. Some of these DXF-G cards implement VDI solutions by using high power GPUs such as the NVIDIA® Tesla® P6.
- Expansion modules can provide 1:1 solutions: These modules use a combination of DXF-G cards and DXF-H4 PCoIP host cards to provide remote workstation solutions. Typically there are network ports on the module.

Assign four module slots to two blades (default)

Each Quad-Expansion (or DXF-EXP) module contains up to four cards that map to one or two blades installed in the top/bottom positions in the same side at the front of the FX2s chassis.



How to select the mapping for four module slots to one blade

- 1 Login to the CMC with the IP address, username and password.
- 2 Select PCIe Overview from the left-hand menu and click the Setup tab.
- 3 Make sure the Enable PCIe Slot Reassignment box is checked. See [Figure 3](#).

Note: This selection is automatic when a storage sled is installed in the chassis slots Compute 3 or Compute 4, reassigning the slot below to the slot above.

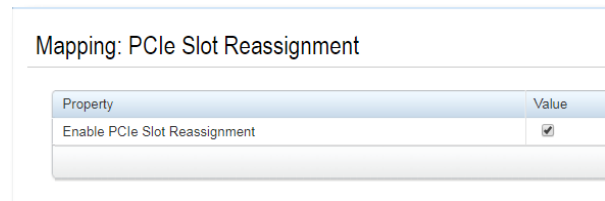


Figure 3: Reconfigure the iDRAC for alternative slot reassignment

Prepare the blades in the Dell FC640

- 1 For a new install, power down all the blades.
- 2 For an existing configuration:
 - a) shut down or migrate all VMs hosted by the blades;
 - b) in the VMware vSphere client, locate the ESXi server in the Inventory and put it in to Maintenance Mode;
 - c) power down any blades that will connect to the quad expansion modules.
- 3 Remove any Dell Single slot PCIe modules that occupy the slots where you will install the DXF-EXP module.

Install a Quad-Expansion module in the Left or Right Hand Side

The Quad-Expansion module installs easily into the rear of the FX2s chassis on either the Left Hand Side (LHS) or Right Hand Side (RHS) of the expansion bay.

! Caution: Always use anti-static handling procedures such as wearing a wrist-strap before handling the DXF-EXP Quad-Expansion module.

- 1 Remove all packaging and the connector protector from the module.
- 2 Read the label on the Quad-Expansion module(s) and identify the cards that it contains. 'DXF-G' for a GPU card. 'DXF-H4' for a DXH4 host card.
- 3 Decide which is the correct position (LHS or RHS) to install the module(s).

Note: Make sure you install the Quad-Expansion module in the correct side of the expansion bay for your configuration.

Amulet FX2s – Four Blades

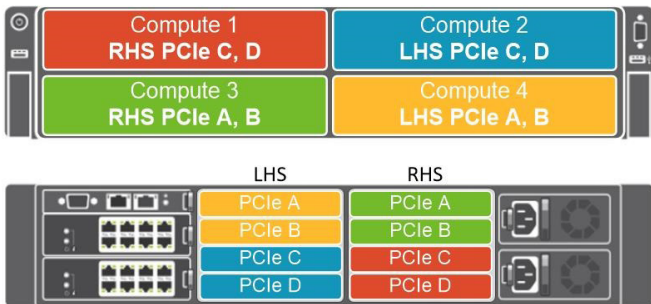


Figure 1: Four blade configuration example

In [Figure 1](#) the two cards in position A,B at the top of the Quad-Expansion module connect with a blade in the bottom Compute position. The remaining two (C & D) connect to the blade in the top Compute position. So Compute 1 connects through to C & D, Compute 3 to A & B on the RHS (at the rear).

Note: On the chassis and in the CMC, slots are enumerated 1 to 8 with PCIe A on the LHS equivalent to slot 1 and PCIe D on the RHS equivalent to slot 8.

Assign four module slots to one blade

If only one blade is used on half of the chassis, the space below can be empty, contain a storage sled, or a compute sled with no PCIe expansion requirement.

In [Figure 2](#), all four cards in the Quad-Expansion module connect with a single blade in the top Compute position. So Compute 1 connects to A, B, C & D on the RHS (rear). Compute 2 connects to A, B, C & D on the LHS (rear). Compute 3 and Compute 4 are storage or empty sleds.

Amulet FX2s – Two Blades

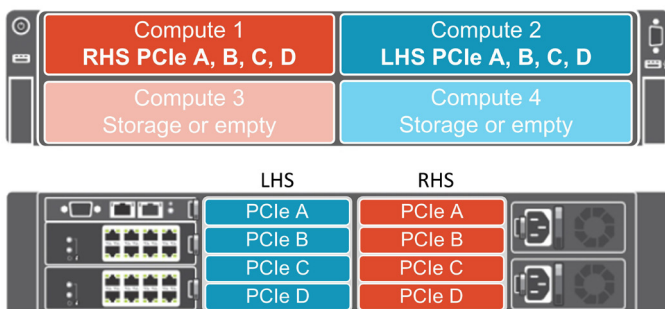


Figure 2: Two blade configuration example

- Align the connectors on the rear of the module with the four expansion connectors at the rear of the FC640 blade. (Figure 4).
- Push the module into the expansion bay so it is almost fully installed.
- Push the card-puller lever up until you hear a click. The module is installed.



Figure 4: Install the Quad-Expansion module in the Left Hand Side (LHS).

If you install two Quad-Expansion modules, the FX2s chassis looks like Figure 5.



Figure 5: FX2s chassis with two Quad-Expansion modules installed

Set up the Quad-Expansion module

- See our website for the latest approved driver and software versions.
- Make sure you install the latest approved blade iDRAC on all blades in the FX2s chassis. See our support link for the latest information.
- To select the configuration in Figure 1, make sure the checkbox for Enable PCIe Slot Reassignment is deselected.
- To select the configuration in Figure 2, make sure the checkbox for Enable PCIe Slot Reassignment is selected.
- Power on the blades in the FX2s chassis.
- To set up expansion modules for VDI configuration, see [KBA 113 - Set up VDI for the DXG-M6, DXG-P6 and DXF-G cards](#).
- To set up 1:1 configuration, see the *Configuration Manual* [HB-CONF-0001](#).

Note: Set the Dell Wyse P25/P45 BIOS Access parameter to ENABLE in the BIOS. This allows the remote PCoIP to enter or modify the BIOS settings. See Figure 6.

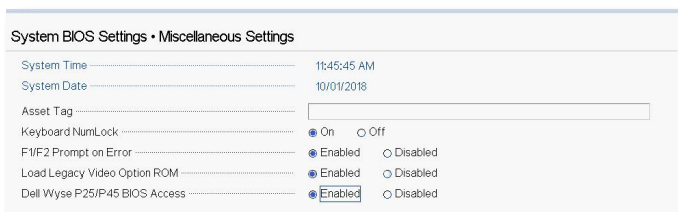


Figure 6: System BIOS settings for 1:1 configuration

© 2020 Amulet Hotkey Ltd. All rights reserved.

Information in this document is subject to change. No part of this document may be reproduced through any means including (but not limited to) electronic or mechanical, without express written permission from Amulet Hotkey Ltd. Amulet Hotkey Ltd may have patents, patent applications, trademarks or copyrights or other intellectual property rights covering subject matter in this document. PC-over-IP, PCoIP and the PCoIP logo are registered trademarks of Teradici Corp. Amulet Hotkey and 'solutions you can bank on' are registered trademarks of Amulet Hotkey Ltd. Other product names and company names listed within this document may be trademarks of their respective owners. Amulet Hotkey products are designed and built in the UK.

To remove the Quad-Expansion module

! Caution: Always use anti-static handling procedures such as wearing a wrist-strap before handling the DXF-EXP Quad-Expansion module.

- Shut down or migrate all VMs hosted by the blades.
- In the VMware vSphere client, locate the ESXi server in the Inventory and put it in to Maintenance Mode.
- Power down the blades that map to the Quad-Expansion module.
- Press in the release tab on the top of the module lever.
- Pull the lever down. This ejects the module from the connectors on the backplane of the chassis.
- Carefully draw out the Quad-Expansion module and fit the connector protector that came with the unit. See Figure 7.
- Put in a suitable anti-static bag.

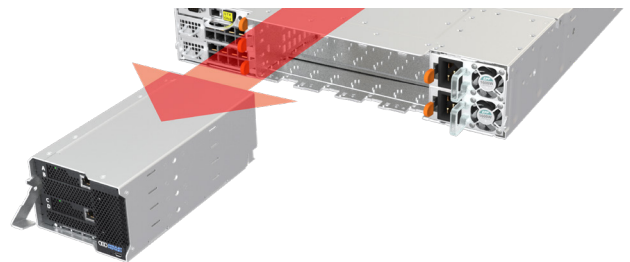


Figure 7: Remove the Quad-Expansion module from the FX2s chassis

Blanking plugs

The Quad-Expansion module may or may not come fitted with a blanking plug in the lower position. See Figure 8 and make sure of the following:

- Single user octal operation: fit the plug in the lower network socket.
- Dual user quad operation: provide a network connection to each socket.

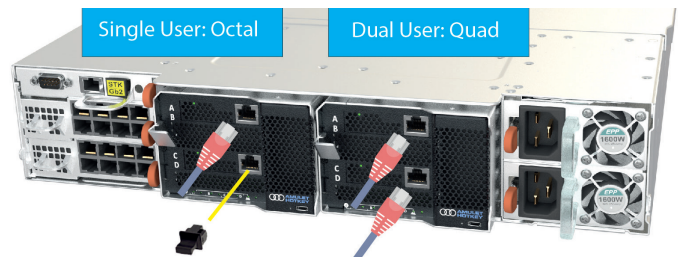


Figure 8: Make sure blanking plugs are fitted correctly

Health and Safety (Refer to legislation sheet LS-AHKL-0001)

- This device complies with part 15 of the FCC Rules (Class A)
- Operating temperature range: 15° to 35° C (59° to 95° F)
- Operating humidity range: 10% to 80% (non-condensing)

For product documentation, downloads and technical assistance, visit:



For further information on all our products, visit www.amulethotkey.com.