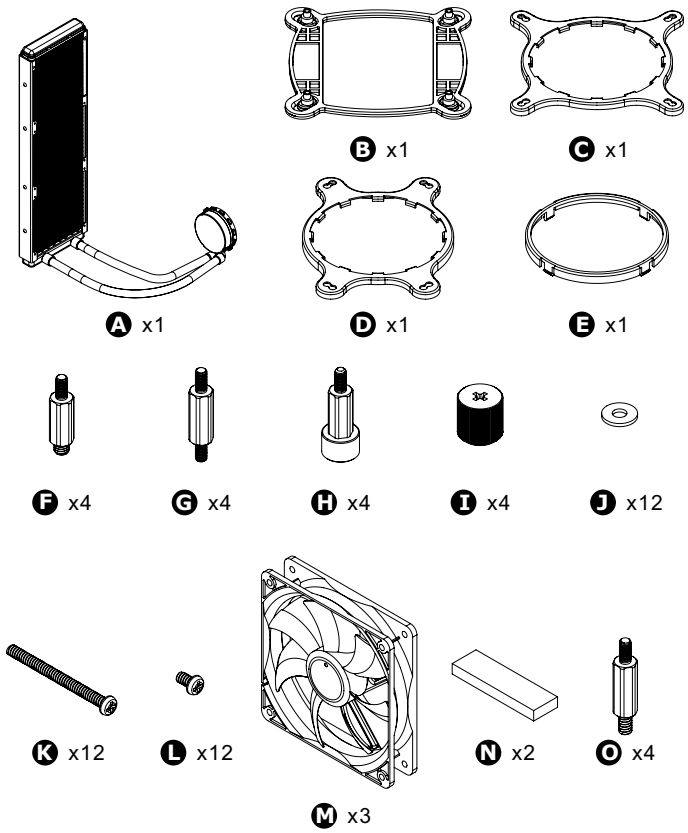
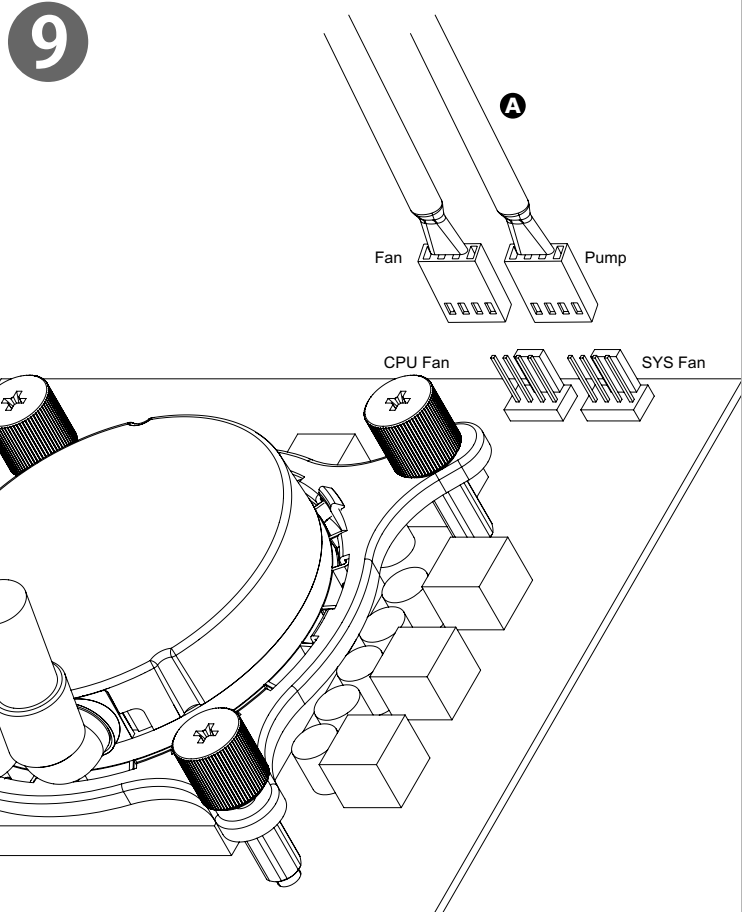
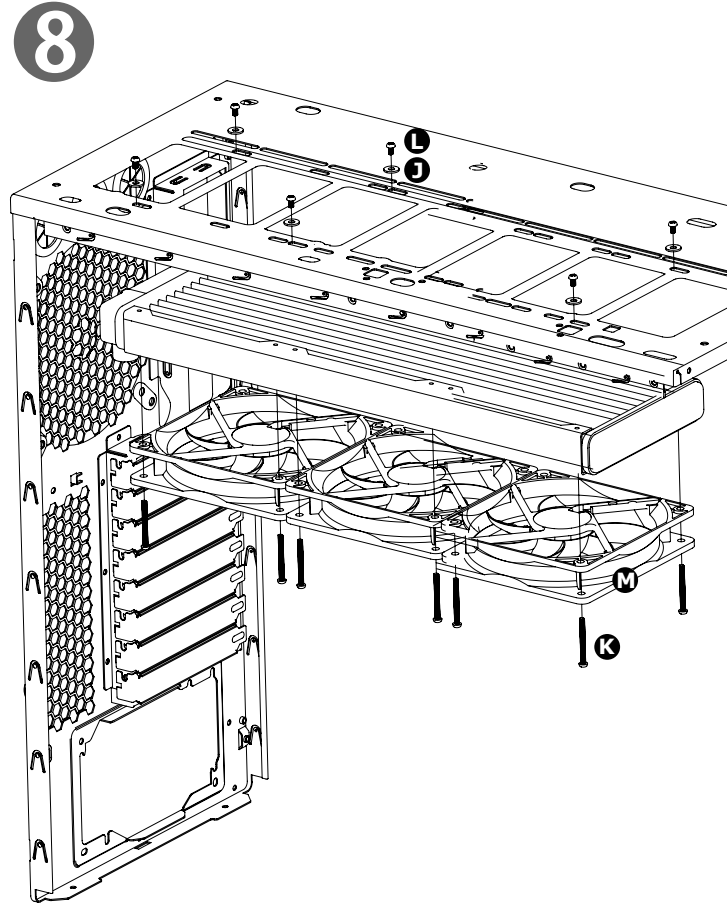
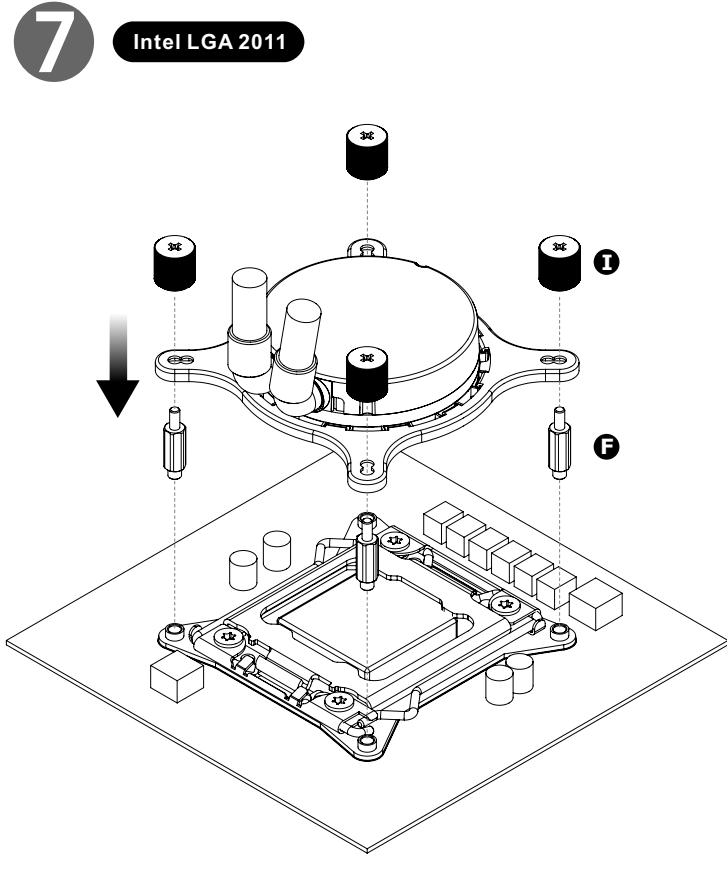
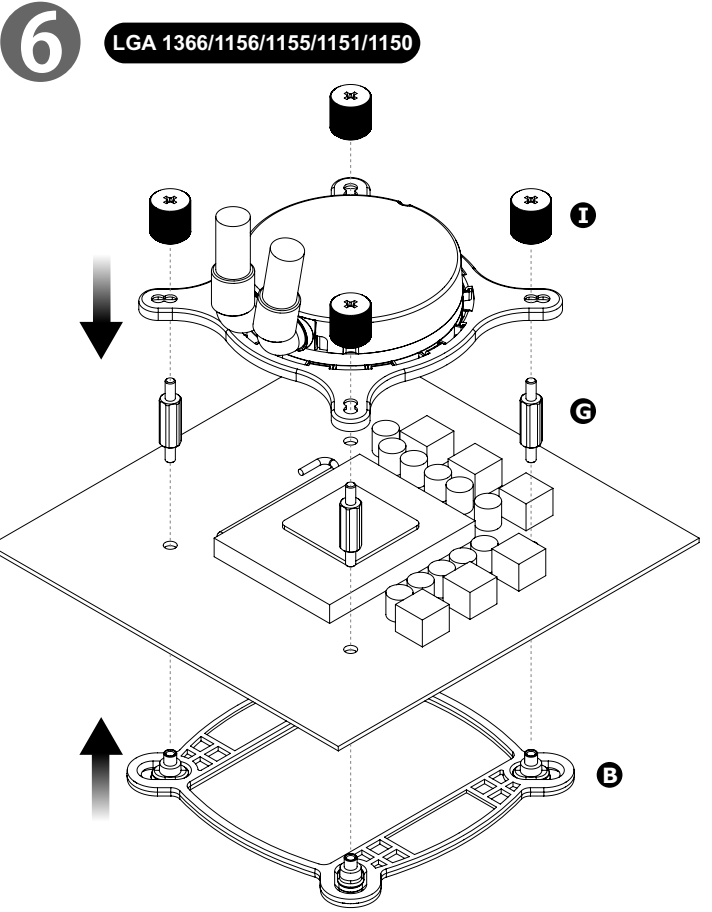
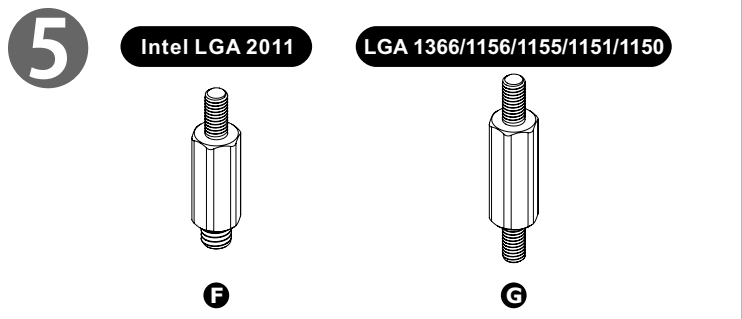
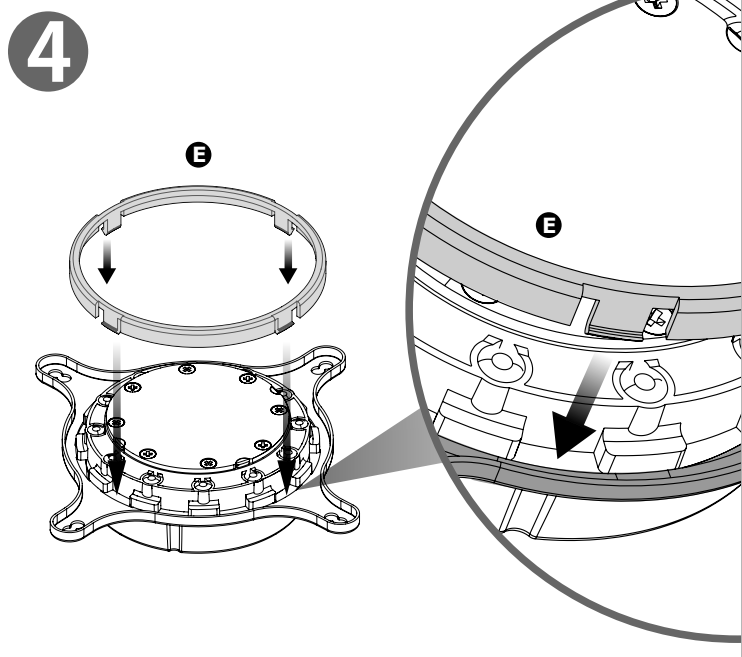
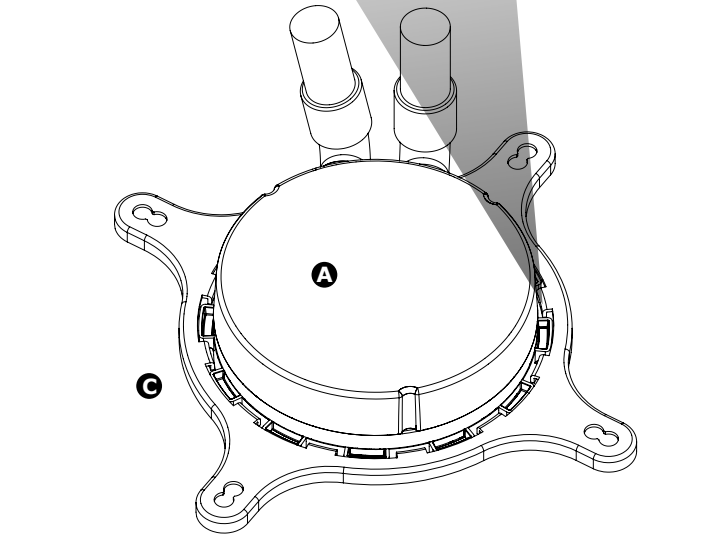
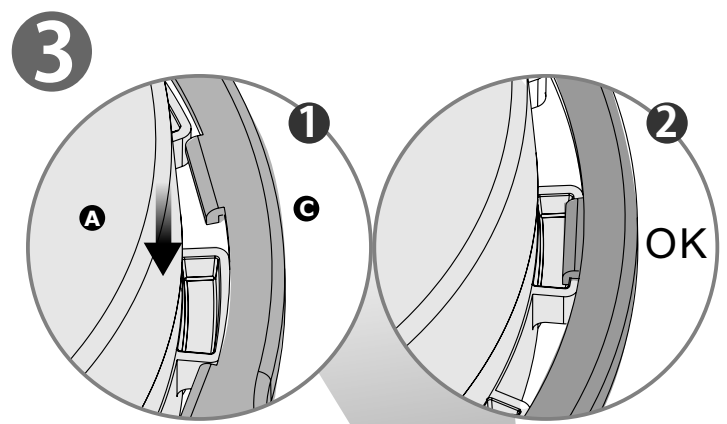
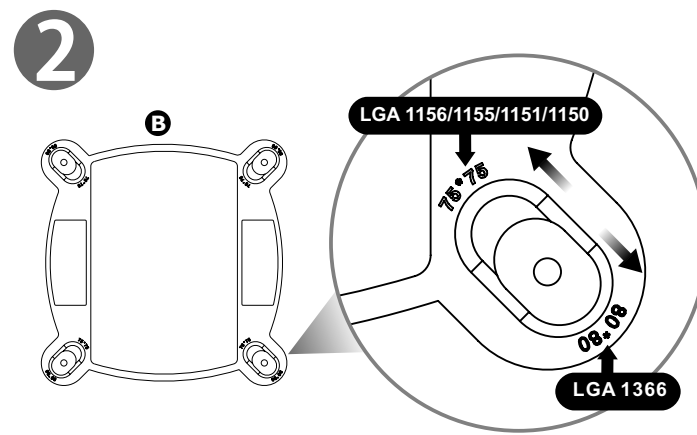
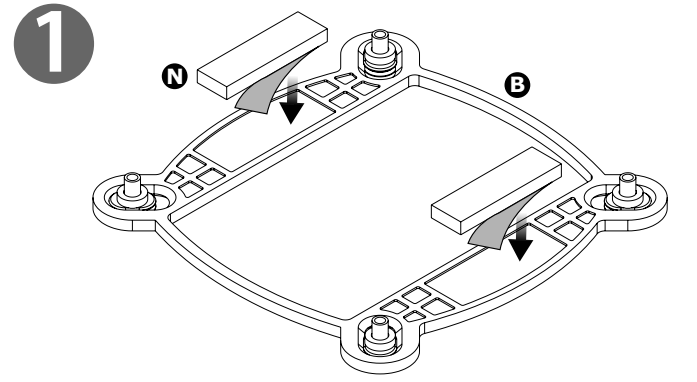


**Parts List**

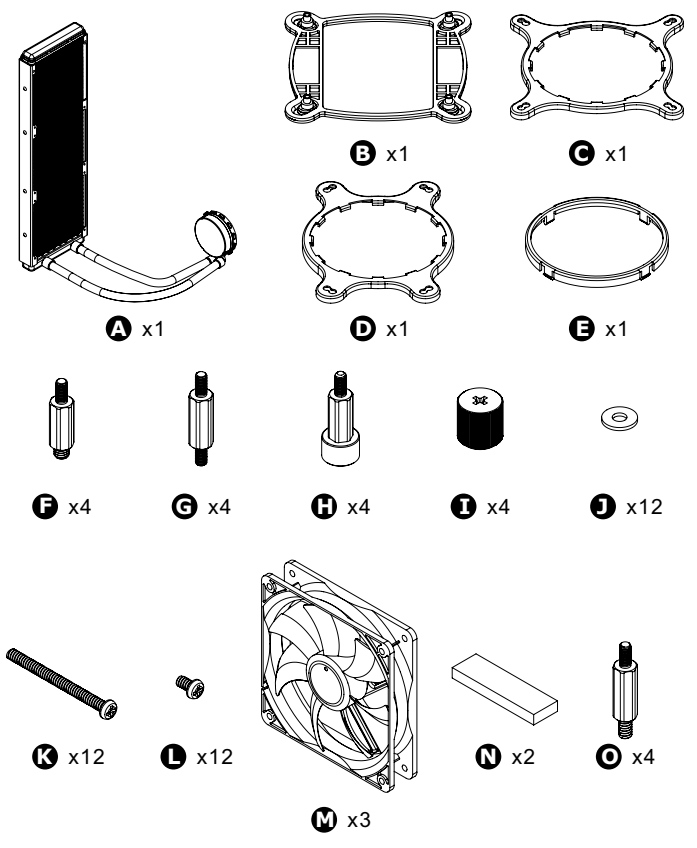


**Intel (Socket LGA 1366/1156/1155/1151/1150) Installation**

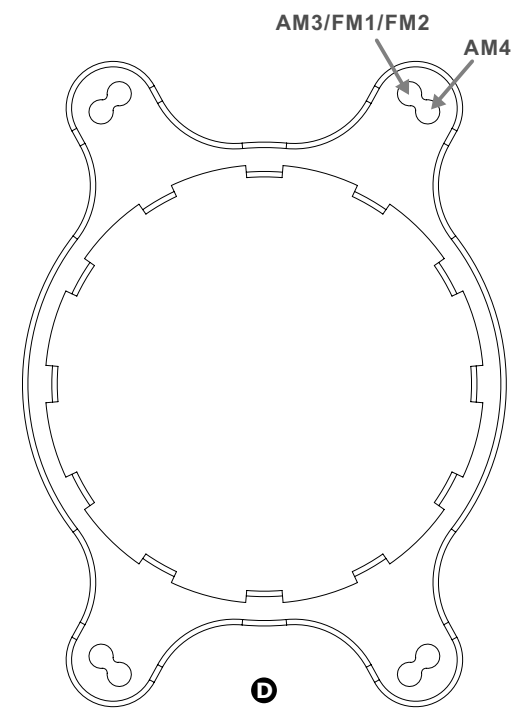
For LGA2011 installation, please skip to the next step



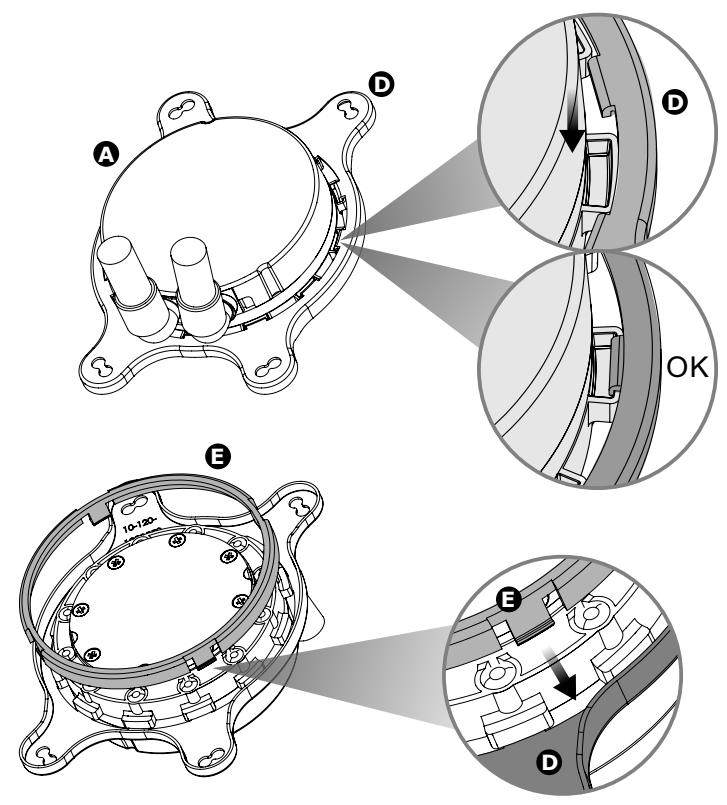
**Parts List**



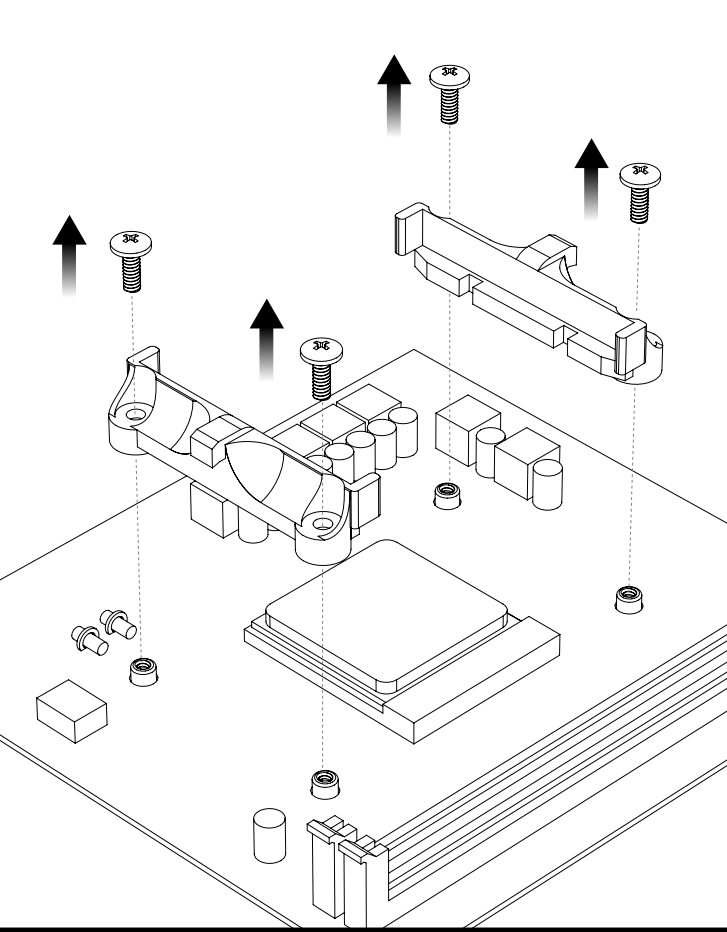
**1** Before Installation, please verify the CPU platform and select the appropriate holes for your CPU socket.



**2**

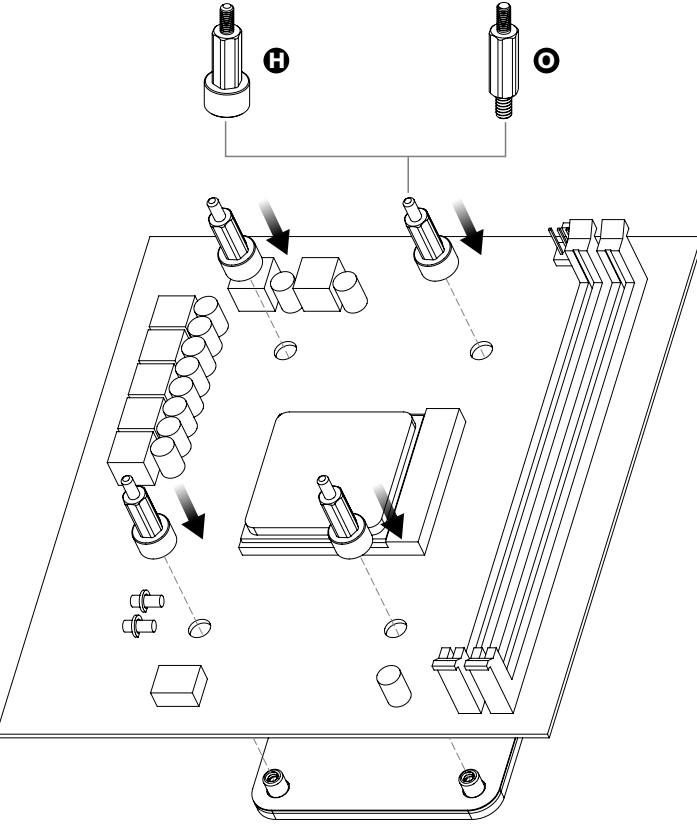


**3** Remove the stock AMD top mounting bracket.

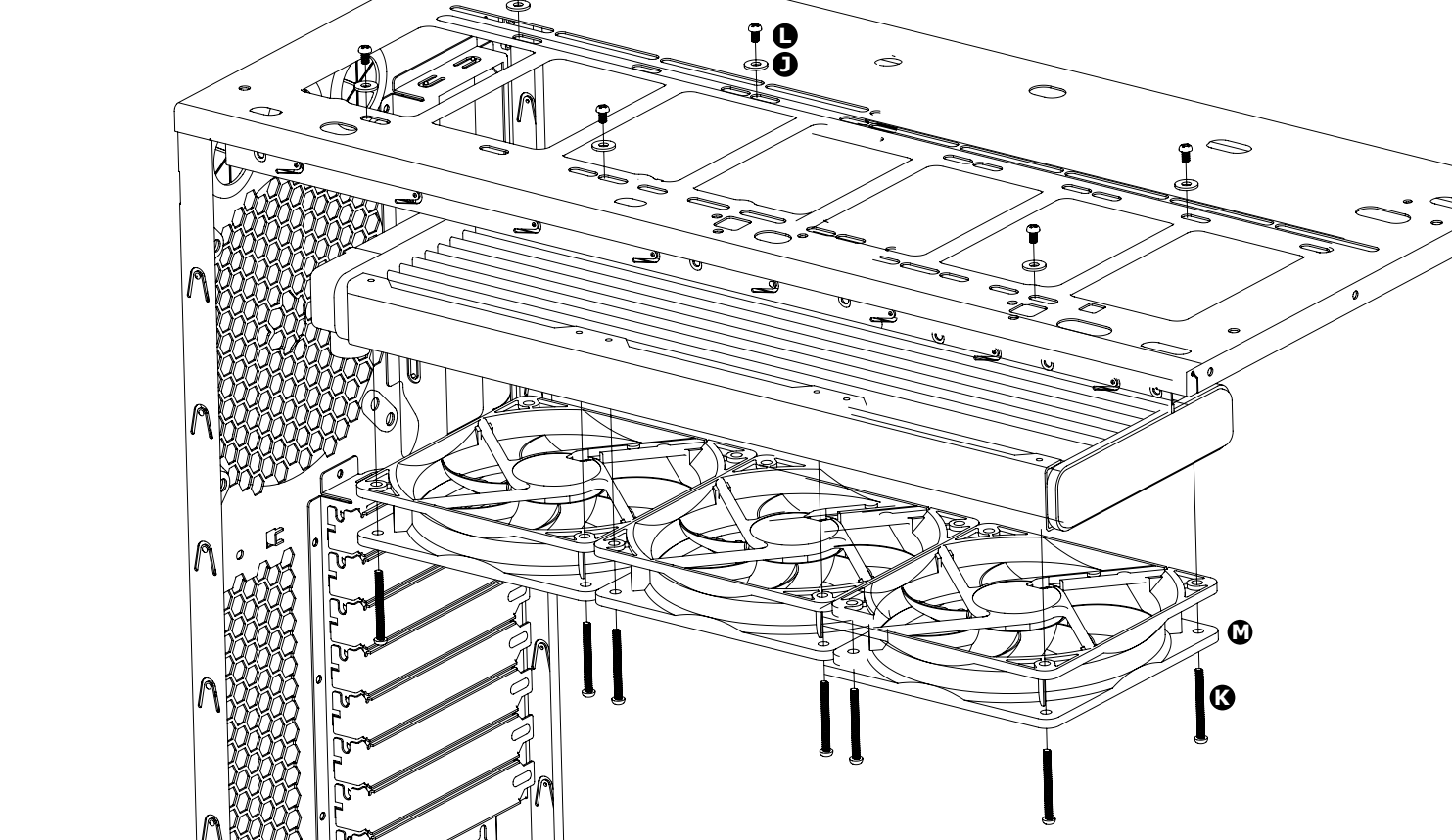


**4**

AM4  
 FM2/FM1/AM3+/AM3



**5**



**6**

