

EB-1485Fi

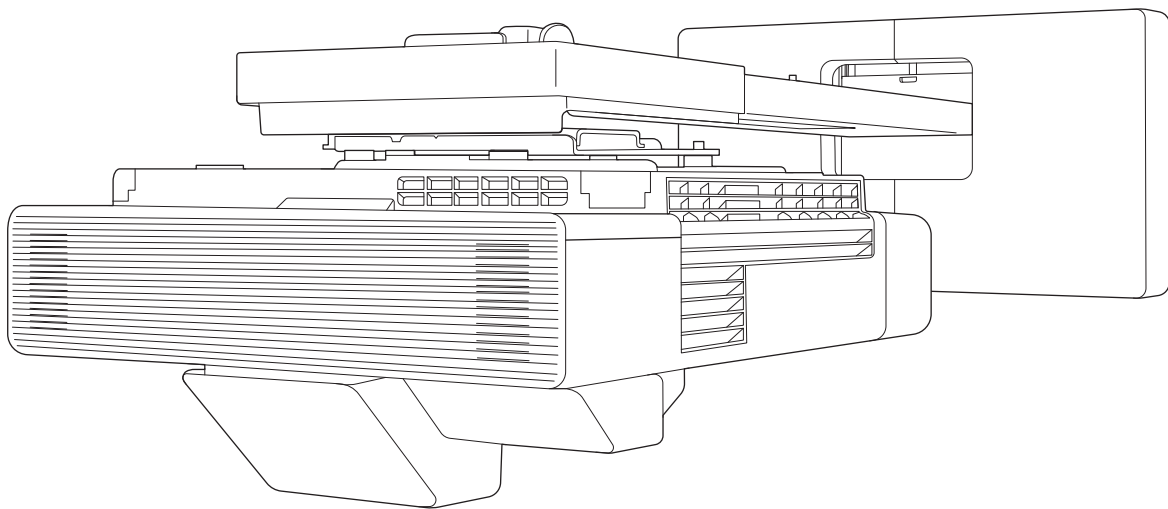
ELPMB62

ELPFT01

ELPMB63

ELPHD02

Installation Guide



Introduction

About This Installation Guide	1
Using the Product Safely	2
Safety indications	2
Explanation of Symbols	2
Package Contents	3
Wall mount	3
Main Mount	3
Accessories	4
Touch Unit	5
Items to prepare in addition to items supplied with the product	6
Touch Unit Bracket	6
Items to prepare in addition to items supplied with the product	6
Control Pad	7
Items to prepare in addition to items supplied with the product	7
Pen stand	7
Items to prepare in addition to items supplied with the product	8
Installation Work Flow	9
When Installing Multiple Projectors	10
Figures of Installation Dimensions	11
Connection Figure	13
Connecting the Touch Unit and the Control Pad .	13
Connecting Multiple Projectors	14
When using the interactive function	14
When not using the interactive function	14
Installing the Wall mount	
Cautions on Installing the Wall Mount .	16
Cautions on the Installation Location of the Wall Mount	20
Wall Mount Specifications	22
External dimensions	23
Adjustment range	25
Vertical slide	25
Horizontal slide	26
Forward/backward slide	26

Mini PC installation plate	27
----------------------------------	----

Installation Procedure for the Wall

Mount	28
Installing the Bracket	29
Determining the installation position (projection distance tables)	29
Attaching the adjustment unit to the projector	40
Install the wall plate on the wall	42
Attaching the setting plate to the wall plate . .	44
Attaching the adjustment unit to the setting plate	48
Attaching peripheral devices	49
Adjusting the position of the projected image . .	52
Preparations before adjusting	53
Auto Screen Adjustment	55
Performing mechanical adjustment using the Setting Plate Installation Guide	58
Adjusting using the projector menus	62
Attaching the covers	67
Attaching a Security Cable	69

Setting the Projector

Batch Setup Function	70
Setup Using a USB flash drive	70
Saving settings to the USB flash drive	70
Copying saved settings to other projectors . . .	71
Setup by Connecting the Computer and Projector with a USB Cable	72
Saving settings to a computer	72
Copying saved settings to other projectors . . .	73
When Setup Fails	75
Installing Multiple Projectors (Multi- Projection)	76
Setting the Projector ID	76
Multi-Projection Connection Settings	78
When using the interactive functions	78
When not using the interactive functions	80
HDMI Link settings	81
Adjusting the Image in Multi-Projection	82
Projector Sync. Settings (only when using interactive functions)	83

EDID settings (only when using interactive functions) 84

Installing the Control Pad

Notes on the Control Pad 85

For Canadian Users 88

Control Pad Specifications 89

External dimensions 89

Cable routing holes 89

Installing the Control Pad 91

Installing the pen stand

Notes on the Pen Stand 94

Pen Stand Specifications 95

External dimensions 95

Installing the Pen Stand 96

When securing with magnets 96

When securing with screws 97

Adjusting the Interactive Pen

Calibrating the Interactive Pen 98

Manual Calibration 98

Auto Calibration 100

Installing the Touch Unit

Notes on handling the Touch Unit 102

For Canadian Users 103

Touch Unit installation location 104

Notes on the Touch Unit Bracket 105

Notes on the Laser 106

Attached labels 106

Laser diffusion port 106

Touch Unit Specifications 107

External dimensions 107

Touch Unit Bracket Specifications 108

External dimensions 108

Adjustment range 109

Installing the Touch Unit 110

Installing the infrared deflectors 110

Installing the Touch Unit 111

When installing on the projection surface without using the Touch Unit Bracket 111

When using the Touch Unit Bracket to install outside of the projection surface 114

Attaching a Security Cable 119

Turning on the Touch Unit 120

Adjusting the Angle of the Laser (Touch Unit Auto Setup) 121

When auto adjustment fails 127

Calibrating touch function operations 130

Appendix

List of Safety Symbols 133

General Notice 136



About This Installation Guide

This guide contains the following information.

- Installing an ultra-short throw projector (EB-1485Fi) using the wall mount (ELPMB62)
- Installing the Touch Unit (ELPFT01)
- Installing the Touch Unit using the touch unit bracket (ELPMB63)
- Installing the Control Pad (ELPHD02)
- Installing the Pen Stand

Equipment and mounts/brackets that are not included can be purchased as optional accessories.

Using the Product Safely



For your safety, read all the instructions in this guide before using this product. Incorrect handling that ignores instructions in this guide could damage this product or could result in personal injury or property damage. Keep this installation guide at hand for future reference.

Read the *User's Guide* and *Safety Instructions* for your projector and follow the instructions in these documents.




Safety indications

The documentation and this product use graphical symbols to show how to use this product safely.

The indications and their meaning are as follows. Make sure you understand them properly before reading the guide.

Symbol	Explanation
 Warning	This symbol indicates information that, if ignored, could possibly result in personal injury or even death due to incorrect handling.
 Caution	This symbol indicates information that, if ignored, could possibly result in personal injury or physical damage due to incorrect handling.

Explanation of Symbols

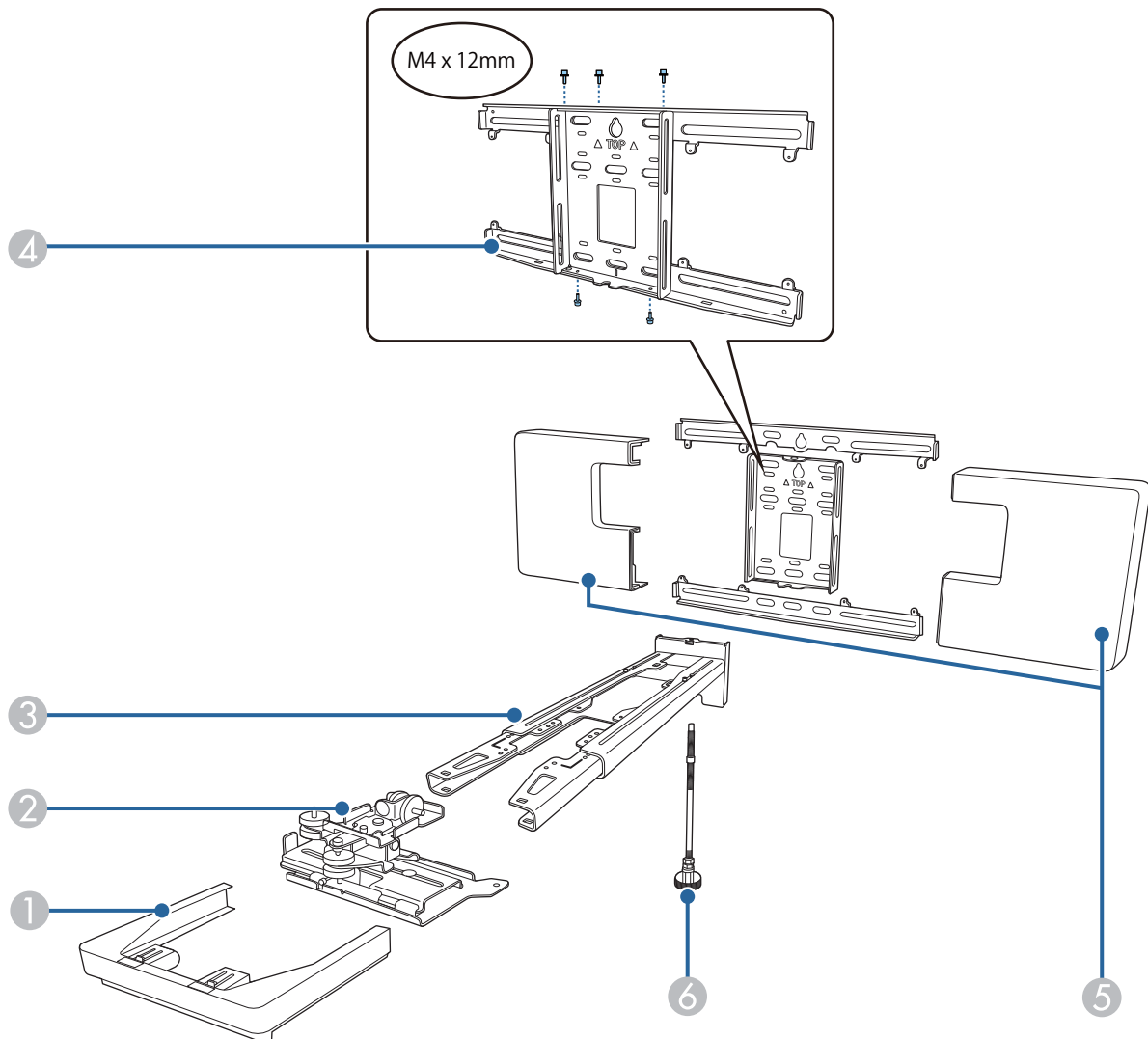
Symbols	Explanation
	Symbol indicating an action that must not be done
	Symbol indicating an action that should be done
	Symbol indicating related or useful information

Package Contents

Confirm that you have all necessary items before beginning installation.

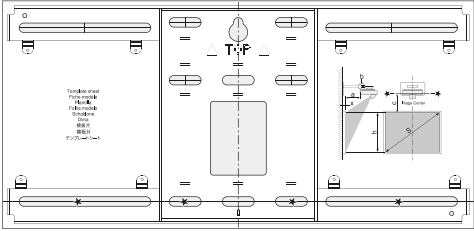
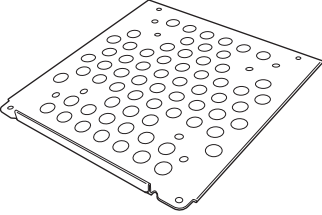


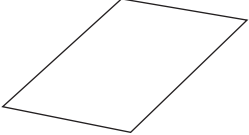
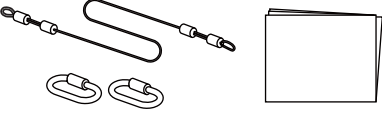

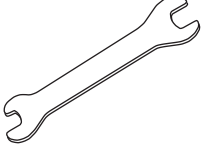

Wall mount




Main Mount



No.	Part name
①	End cap
②	Adjustment unit
③	Setting plate
④	Wall plate
⑤	Wall plate cover
⑥	Hexagonal axis

Accessories

Part	Name	Application
	Template sheet	Attach this to the wall before attaching the wall plate, and use it to drill necessary holes.
	Mini PC plate	Attach this to the wall plate when installing a mini PC or stick PC.
	Mini PC belt	Secure the PC to the plate when attaching a mini PC or a stick PC that cannot be attached using screws.
	Cable binding belt	Secure excess cables after performing wiring.
	Masking sticker	Stick this over the groove in the arm of setting plate to cover it up after installing.
	Safety wire set	Connect to the wall mount and the projector to prevent the projector from falling. See the user's guide supplied with the safety wire set for more details.
	Hexagon wrench (for M4)	-
	No.13 open-ended spanner (for M8 and M6), No. 6 (for hexagonal axis)	-
	M4 x 12 mm hexagon socket head cap bolt with washer/spring washer (x13)	<ul style="list-style-type: none"> Assemble the wall plate as shown in the figure on p.3 (x5) Secure the adjustment unit to the projector (x4) Secure the adjustment unit to the setting plate (x4)

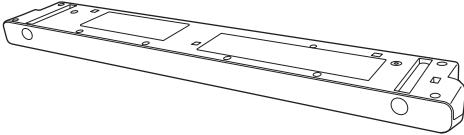
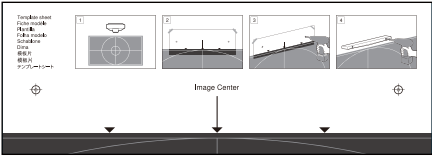
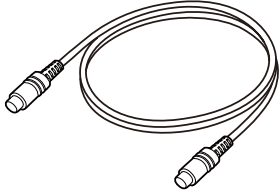
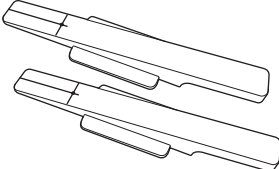

Part	Name	Application
	M6 x 20 mm hexagon shoulder head bolt with washer/spring washer (x1)	Secure the setting plate to the wall plate.
	M6 x 20 mm cross recessed head shoulder screws with plastic washers (x3)	
	M3 x 6 mm cross recessed head shoulder screws (x4)	Secure the mini PC plate to the wall plate.

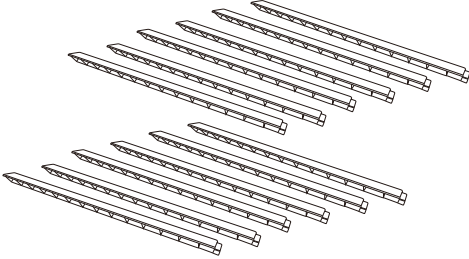

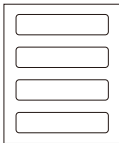
Items to prepare in addition to items supplied with the product

- Prepare commercially available products such as anchor bolts to secure the wall plate to the wall.
 - M10 or 3/8 inch x 60 mm anchor bolts (for securing the wall plate: at least x4)
 - M10 screw (for securing the wall plate temporarily: x1)
- Make sure you prepare cables to connect the projector to devices such as mini PCs in advance.

For details on the cable connections for your devices, see the projector's *User's Guide* (on the Document CD-ROM).

Touch Unit

Part	Name	Application
	Touch Unit	-
	Template sheet (for securing the Touch Unit)	Attach this to the wall before attaching the Touch Unit, and use it to drill necessary holes.
	Touch Unit connection cable (approx. 1.8m)	Connect the Touch Unit to the projector.
	Markers x2	Attach to the screen to adjust the angle of the laser emitted by the Touch Unit.
	Tape for securing the markers (approx. 6 cm) x12	Secure the markers to the projection surface.

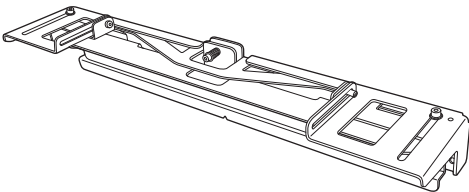
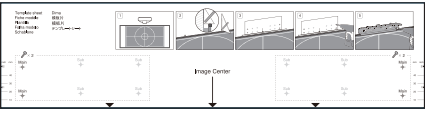


Part	Name	Application
	Infrared deflectors (approx. 28.5 cm) x12	Use these when there is a tray or frame at the bottom of the projection surface. This prevents malfunctions due to laser reflections.
	Spacers for screw holes x3	Attach them to the screw hole when securing the Touch Unit with screws.
	Label x4	Attach the label in the position of the Touch Unit. These provide markers when repositioning due to movement that occurs during use.

■ Items to prepare in addition to items supplied with the product

- When securing the Touch Unit with screws, prepare two commercially available M4 screws.
- When infrared deflectors are attached to the projection surface, use it without removing them.

Touch Unit Bracket

Use this when attaching the Touch Unit to outside of the projection surface.

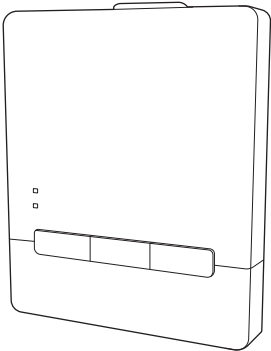

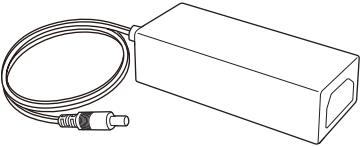
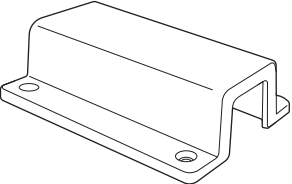
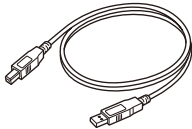
Part	Name	Application
	Touch Unit Bracket	-
	Template sheet (for Touch Unit Bracket)	Attach this to the wall before attaching the Touch Unit Bracket, and use it to drill necessary holes.
	M4 x 25mm hexagon socket head cap bolts (x2)	Secure the Touch Unit to the Touch Unit Bracket.
	Hexagon wrench (for M4)	-

■ Items to prepare in addition to items supplied with the product

Use commercially available anchor bolts or screws to secure the Touch Unit Bracket to the wall.

- M4 anchor bolts (x4)
- 3.8 mm diameter wood screws with a length of 45 mm or more (x4)

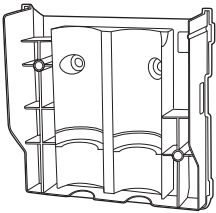
Control Pad

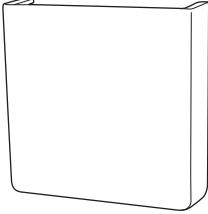

Part	Name	Application
	Control Pad	-
	Power cable (approx. 1.8 m)	Power the Control Pad.
	AC adapter	
	AC adapter holder	Secure the AC adapter to the wall.
	USB cable (approx. 1.8 m)	Connects the Control Pad to the computer.

■ Items to prepare in addition to items supplied with the product

Use commercially available M4 x 20 mm screws (x4) to secure the Control Pad to the wall.

Pen stand

Part	Name	Application
	Main unit	-

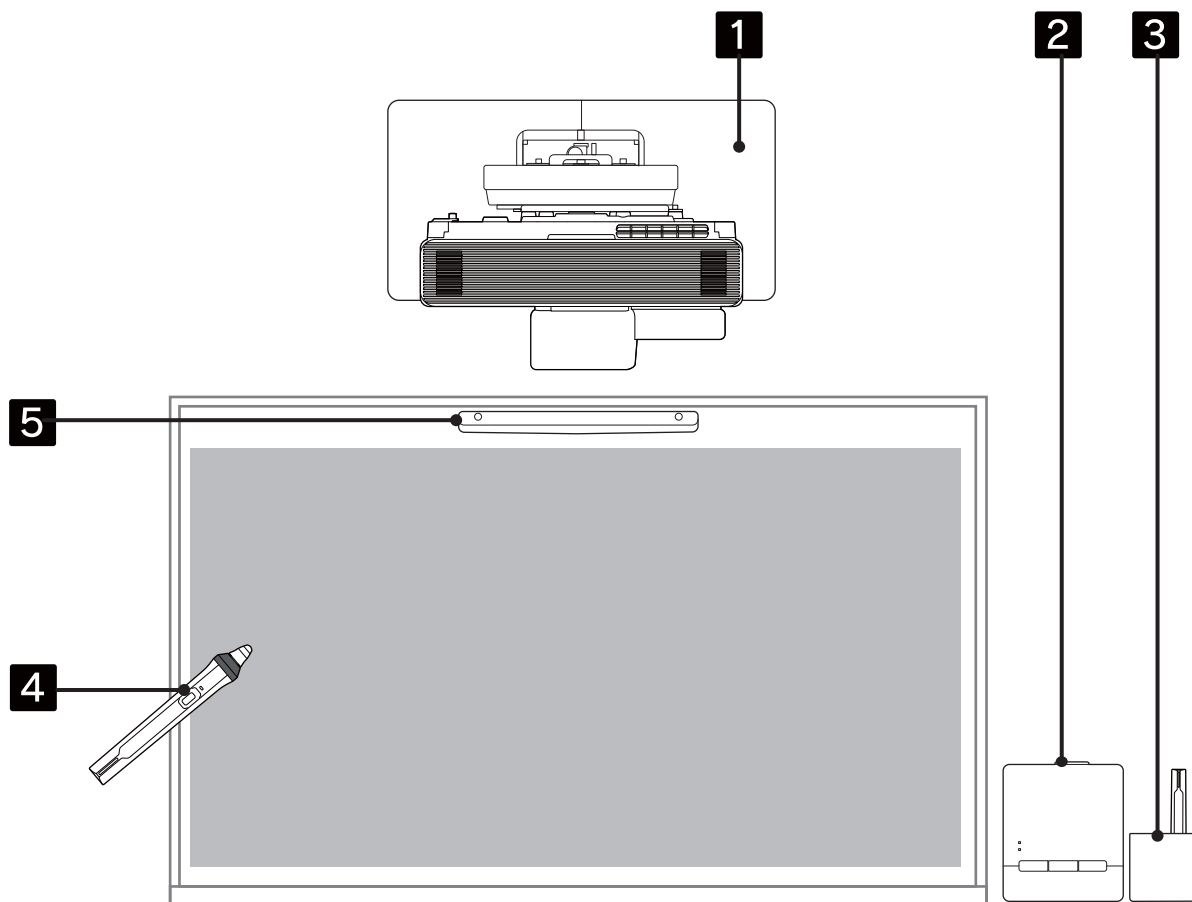
Part	Name	Application
	Cover	Attach to the front of the pen stand.
	Spacers for screw holes x3	Attach them to the screw hole when securing the pen stand with screws.

■ Items to prepare in addition to items supplied with the product

When securing the pen stand with screws, prepare commercially available M4 x 20 mm screws (x2).

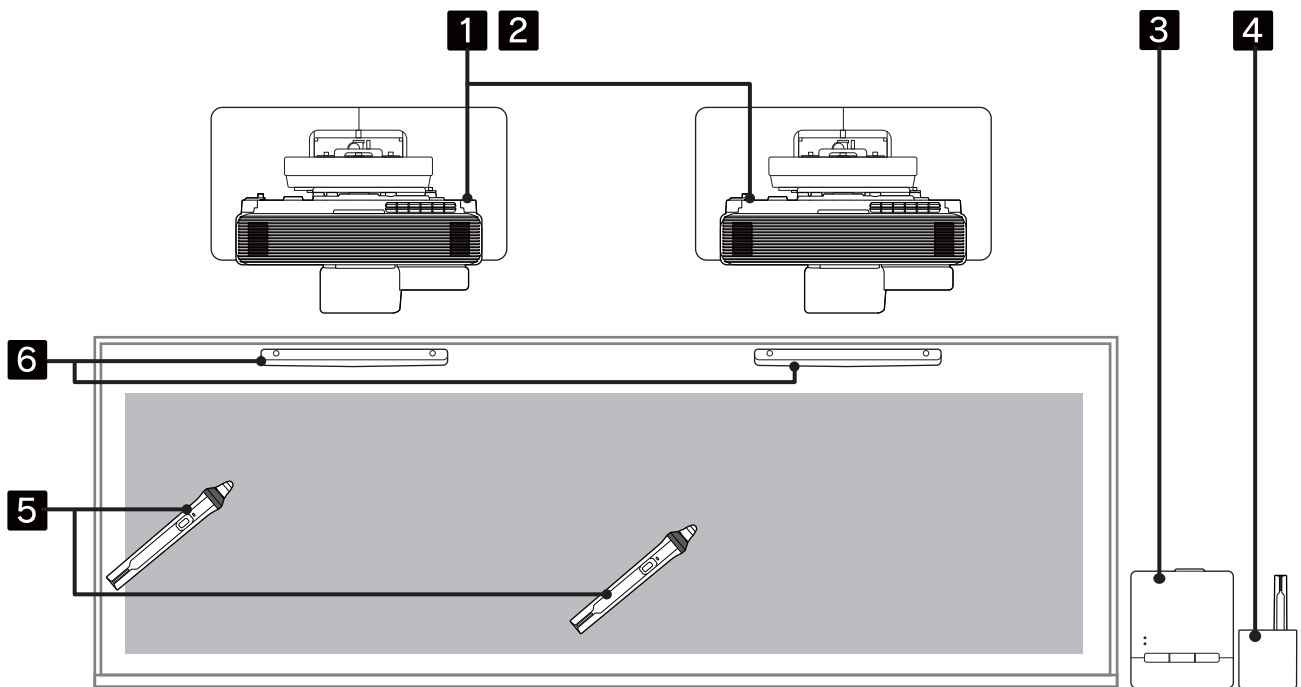
Installation Work Flow

We recommend installing the projector and peripheral devices in the following order.



- 1** Mount projector on wall and adjust the projected image (☞ [p.16](#))
- 2** Install the Control Pad (☞ [p.85](#))
- 3** Install the pen stand (☞ [p.94](#))
- 4** Perform pen calibration (☞ [p.98](#))
- 5** Install and adjust touch unit and perform finger touch calibration (☞ [p.102](#))

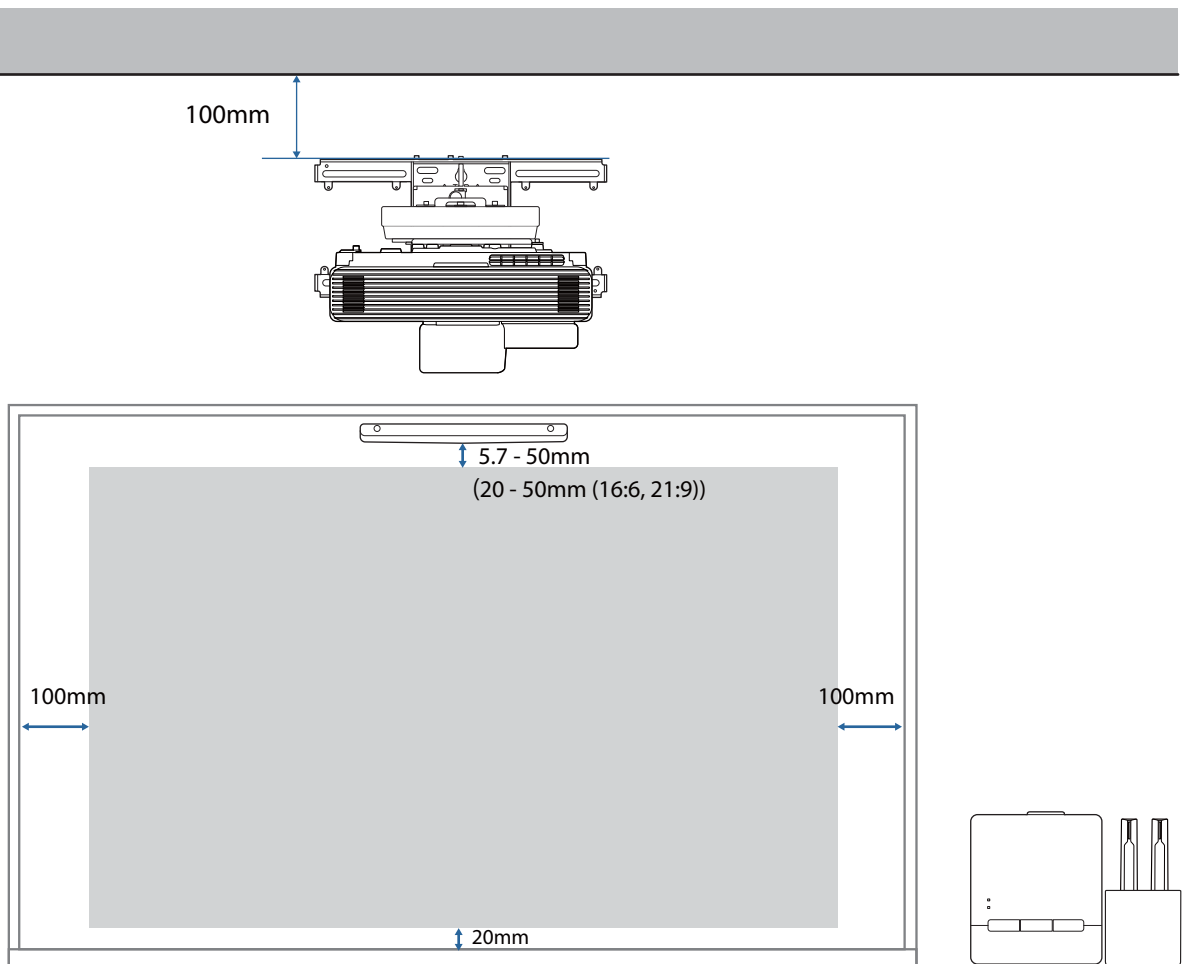
When Installing Multiple Projectors



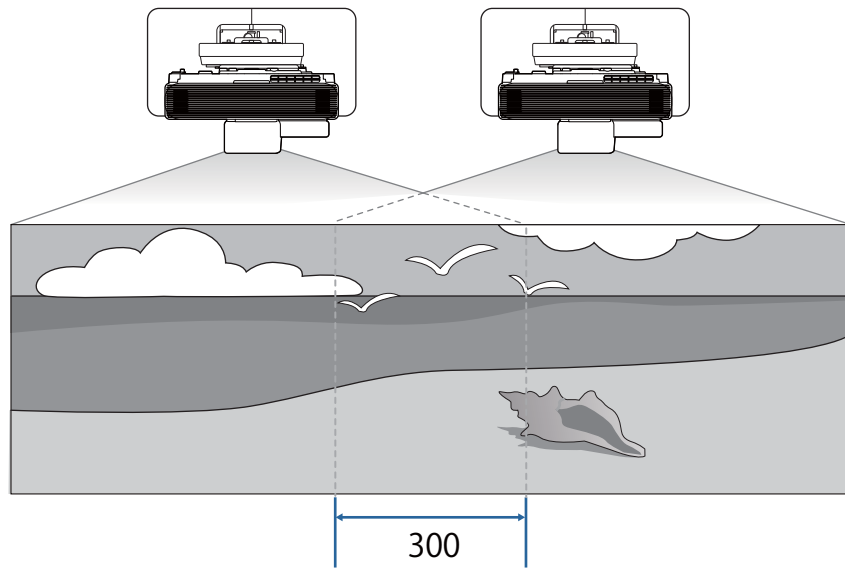
- 1** Install wall mounts for all projectors (☛ p.16)
- 2** Select Multi-Projection settings (☛ p.76)
- 3** Install the Control Pad (☛ p.85)
- 4** Install the pen stand (☛ p.94)
- 5** Perform pen calibration (☛ p.98)
- 6** Install and adjust touch unit and perform finger touch calibration (☛ p.102)

Figures of Installation Dimensions

- You need the following space to install the projector and the touch unit.
 - Leaving a gap of approximately 100 mm from the ceiling to the top of the wall plate makes it easier to install and remove the projector.
 - When using the Touch Unit, install the projector so that there is a gap between the projected image and the edges of the screen as shown in the following image.



- When projecting a screen with multiple projectors, use the Edge Blending function to create a seamless image. When projecting a screen with an aspect ratio of 3:1, set the **Blend Range** for **Edge Blending** to **300**.

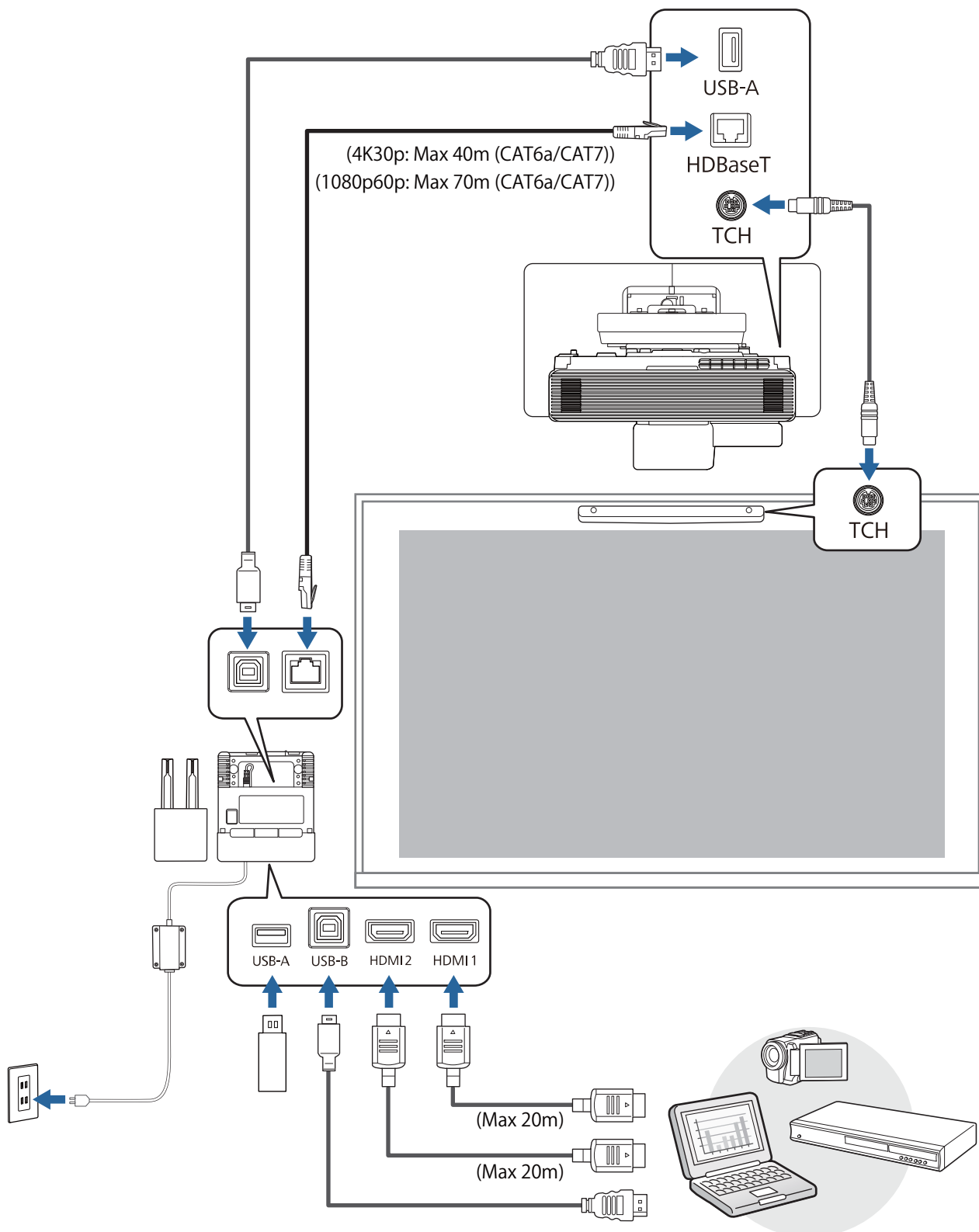


Connection Figure

Connecting the Touch Unit and the Control Pad

You need the following cables when using the Touch Unit and the Control Pad.

Prepare a commercially available LAN cable and USB cable to connect the projector and the Control Pad.

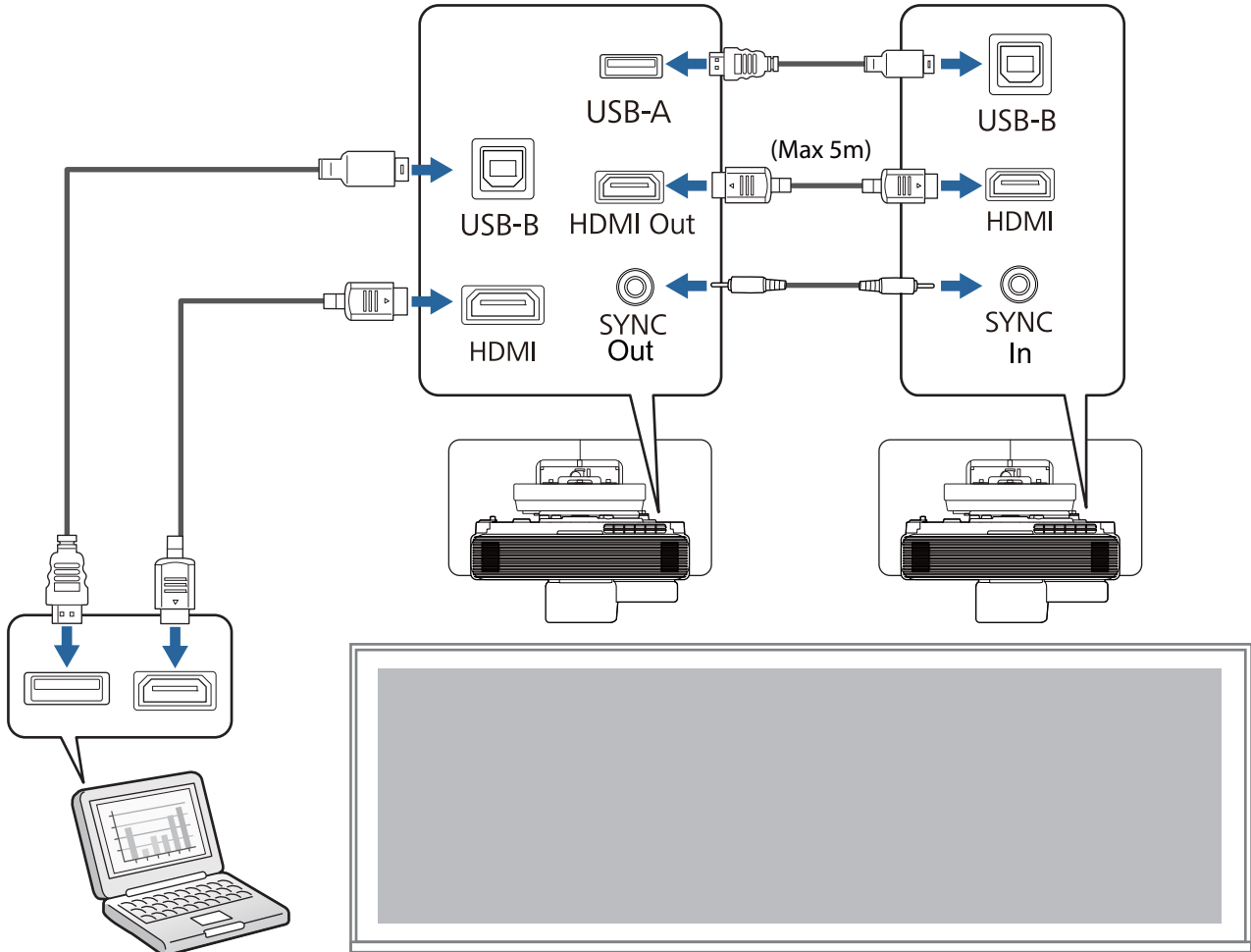


Connecting Multiple Projectors

You need the following cables when installing multiple projectors. Check the *User's Guide* for any other cables you may need.

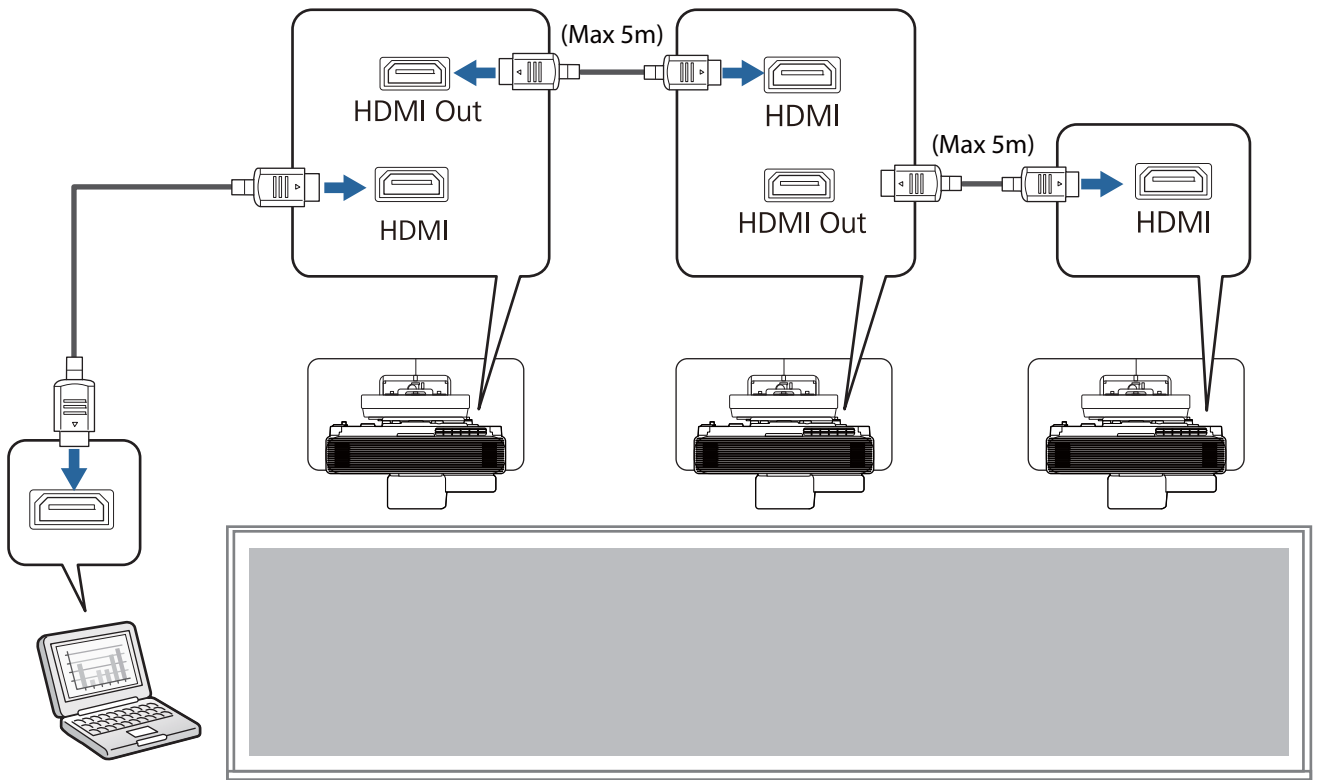
■ When using the interactive function

You can install up to two projectors when using the interactive function.

























■ When not using the interactive function










You can install two to four projectors when not using the interactive function. The following image is an example of connecting three projectors.









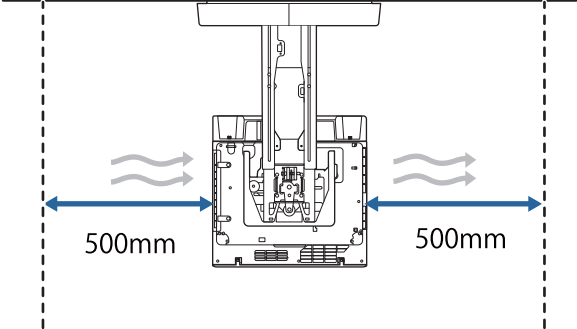
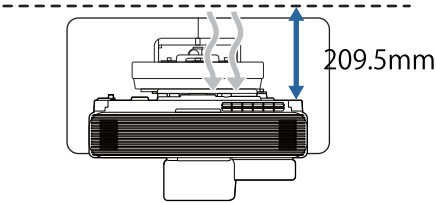


Cautions on Installing the Wall Mount

 Warning	
<p>The Wall mount is exclusively for mounting the projector on a wall. If anything other than a projector is mounted, the weight may result in damage.</p> <p>If this product falls, it could cause death or personal injury.</p>	
<p>The installation work (wall mounting) should be performed by specialists who have technical knowledge and ability. Incomplete or incorrect installation could cause the product to fall and cause personal injury or property damage.</p>	
<p>Follow the steps in this guide to install the Wall mount, and be sure to use the bolts and screws specified in this guide.</p> <p>If the instructions are not followed, this product may fall, resulting in personal injury or an accident.</p>	
<p>Handle the power cord carefully.</p> <p>Incorrect handling may cause fire or electric shock. Observe the following precautions when handling:</p> <ul style="list-style-type: none"> • Do not handle the power plug with wet hands. • Do not use a power cord that is damaged or modified. • Do not pull the power cord with too much force when routing the cable through the setting plate. 	
<p>Do not install the setting plate in a place where it might be subjected to vibration or shock.</p> <p>This could cause damage to the projector or mounting surface. If this product falls, it could cause death or personal injury.</p>	
<p>When installing on a wall, install so that it can sufficiently support the mass of the projector and the Wall mount and resist any horizontal vibration. Use M10 or 3/8 inch x 60 mm nuts and bolts.</p> <p>Nuts and bolts smaller than M10 or 3/8 inch x 60 mm could cause the setting plate to fall. Epson accepts no responsibility for any damage or injury caused by lack of wall strength or inadequate installation.</p>	
<p>The installation work should be performed by at least two qualified service personnel. If you need to loosen any screws during installation, be careful not to drop this product.</p> <p>If this product falls, it could cause death or personal injury.</p>	
<p>When installing this product on a wall, the wall requires enough strength to hold the projector and the Wall mount.</p> <p>This product should be installed on a concrete wall.</p> <p>The maximum combined weight of the projector and the Wall mount is approximately 18.9 kg (not including cables).</p> <p>Ensure the strength of the wall before mounting this product on the wall. If the wall is not strong enough, reinforce the wall before installation.</p>	
<p>Inspect the setting plate on a regular basis to ensure there are no broken parts or loose screws.</p> <p>If any parts are damaged, stop using the setting plate immediately. If this product falls, it could cause death or personal injury.</p>	


 Warning	
<p>Do not disassemble or remodel this product.</p> <p>There are numerous high-voltage sections inside the product that could cause a fire, electric shock, or an accident.</p>	
<p>Do not hang on this product. Do not hang heavy objects on this product.</p> <p>If this product falls, it could cause death or personal injury.</p>	
<p>Do not use adhesives, lubricants, or oils to install or adjust the Wall mount.</p> <p>If you use adhesives to prevent the screws from loosening or things such as lubricants or oils on the slide plate fixing part of the projector, the case may crack and cause the projector to fall, resulting in personal injury or property damage.</p>	
<p>Tighten all screws firmly after adjustment.</p> <p>Otherwise, the product may fall and cause personal injury or property damage.</p>	
<p>Never loosen the bolts and nuts after installation.</p> <p>Confirm that the screws have not become loose on a regular basis. If you find any loose screws, tighten them firmly. Otherwise, the product may fall and cause personal injury or property damage.</p>	
<p>Route the cables so that they are not interfered with the nuts and bolts.</p> <p>Incorrect handling of the cables may cause fire or electric shock.</p>	
<p>When turning on the projector, do not look into the projection lens.</p> <p>This could cause damage to eyesight due to the powerful light emitted. Take particular care when there are children present. When turning on the projector at a distance using the remote control, make sure there is no one looking into the projection lens.</p>	
<p>When using the projector, do not place any objects or put your hand near the projection lens.</p> <p>This area is dangerous as it reaches a high temperature due to the concentrated projection light.</p>	
<p>Do not use the projector in a location subject to combustible or explosive gas.</p> <p>High temperatures within the projector may cause ignition and a fire to occur.</p>	
<p>Only a specialist should remove or reinstall the projector, including for maintenance and repairs.</p> <p>See the projector's <i>User's Guide</i> for instructions on maintenance and repairs.</p>	
<p>If any abnormalities occur with this product, immediately disconnect the cables from the product, and then contact your local dealer or the nearest Epson service call center.</p> <p>Continuing to use the product in an abnormal condition could cause a fire, electric shock, or visual impairment.</p>	

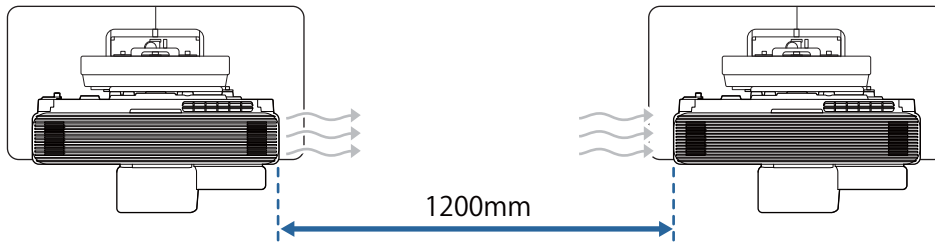
 Warning	
Never open any cases on the projector. Electrical voltages inside the projector can cause severe injury.	
Do not look directly into the projector's light source. Possibly hazardous optical radiation emitted from this product. Eye injury may result.	
 Caution	
Do not install this product in a location where the operating temperature for your projector model may be exceeded. Such an environment may damage the projector.	
Install this product in a place free from excessive dust and humidity to prevent the lens or optical components from becoming dirty.	
Do not use excessive force when adjusting this product. This product may break, resulting in personal injury.	
This projector is a Class 1 laser product that complies with the IEC/EN60825-1: 2014 international standard for lasers.	
Do not disassemble the projector when disposing of it. Dispose according to your local or national laws and regulations.	

Cautions on the Installation Location of the Wall Mount

 Warning	
<p>Do not install in a location subject to oily smoke or smoke for events.</p> <p>If oils and so on stick to the slide plate fixing part of the projector, the case may crack and cause the projector to fall, resulting in personal injury or property damage.</p>	
 Caution	
<p>Do not install the projector or the screen in a location subject to direct sunlight.</p> <p>If the projector or the screen are subject to direct sunlight, the interactive function may not operate correctly.</p>	
<p>Carry out power supply wiring work at the installation location of the projector in advance.</p>	
<p>Install the projector away from other electric devices such as fluorescent lights or air conditioners.</p> <p>Some types of fluorescent lights could interfere with the remote control or the pen.</p>	
<p>When installing the projector, make sure there is a gap between the wall and the projector's air exhaust and intake vents as shown in the following image.</p> <div style="display: flex; justify-content: space-around; align-items: center;">   </div>	
<p>When installing two or more projectors in parallel, make sure the temperature of the surrounding environment is less than 35°C.</p> <p>If the environment is too hot, the projector may overheat and the power may turn off without warning.</p>	

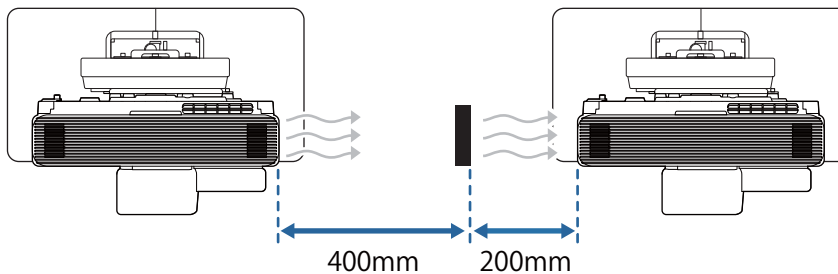
 Caution


When installing two or more projectors in parallel, leave a gap of at least 1,200 mm between the projectors. 





If you cannot secure a gap of approx. 1,200 mm, install a partition to block the heat vented from the projector's air exhaust vent.


The partitions should be larger than the exhaust vent (approx. 20 mm in all directions), and installed approximately 400 mm from the exhaust vent and 200 mm from the intake vents.



Install the projector so that it is tilted at an angle of no more than +3 degrees or -3 degrees vertically and horizontally in relation to the screen. 

When using interactive functions, install the projector so that the projected image is within reach. 

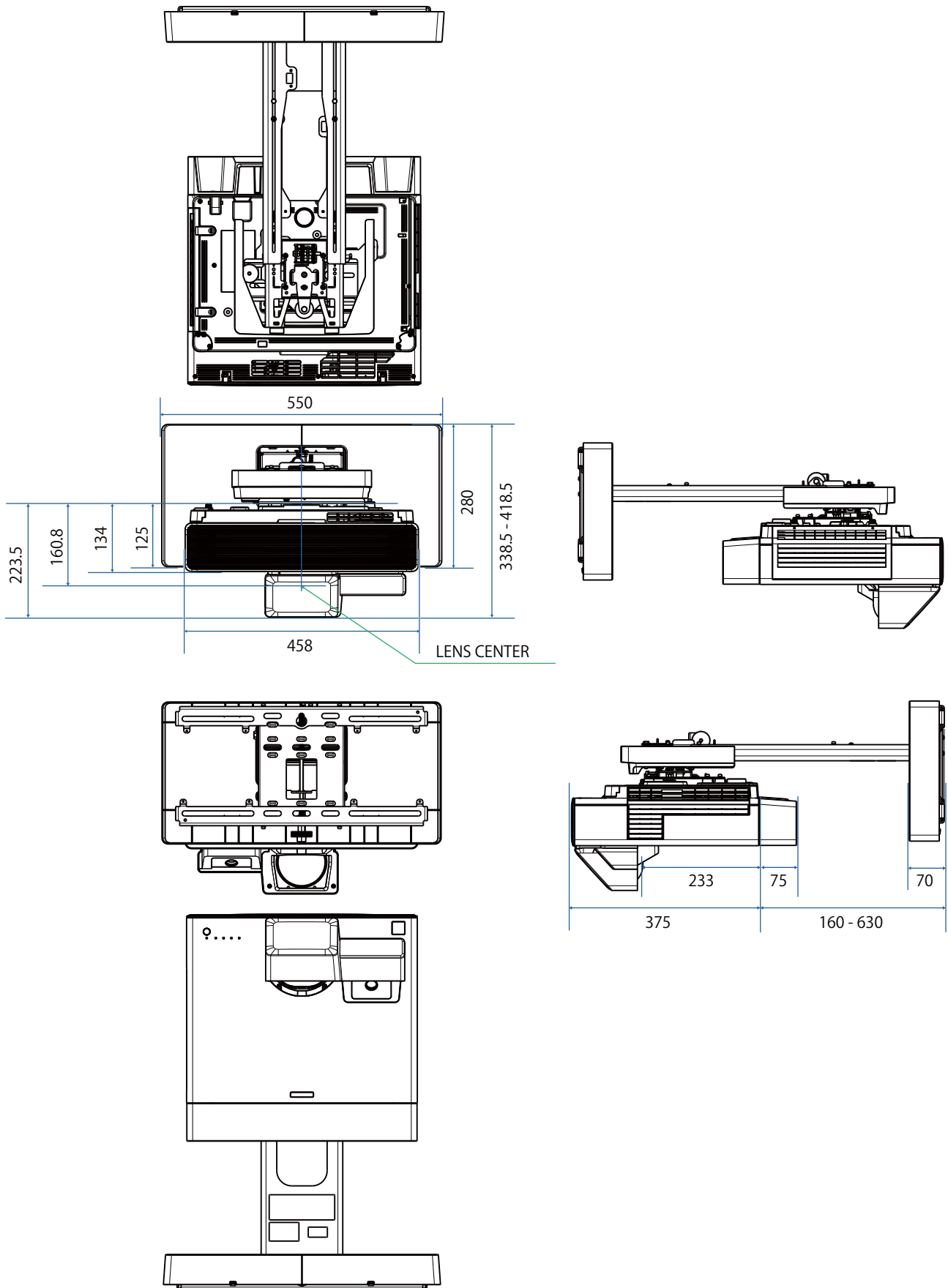
It is recommended to keep connection cable length less than 20 meters to reduce external noise. 

We recommend using stick-on screens or board screens. 

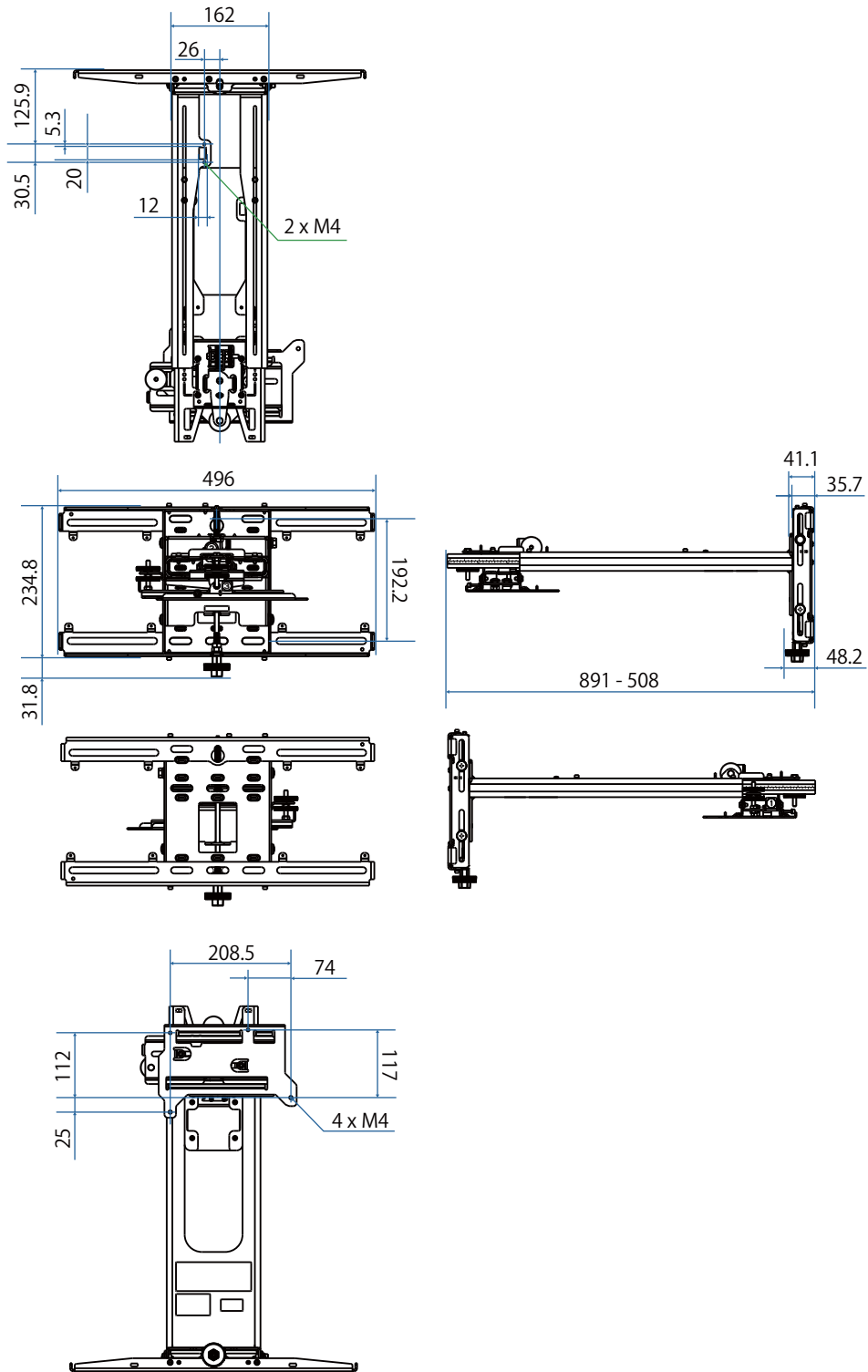
Wall Mount Specifications

Item	Specification
Wall mount mass (setting plate, hexagonal axis, adjustment unit, wall plate, wall plate cover, end cap)	Approx. 9.2 kg
Maximum load capacity	Approx. 15.0 kg

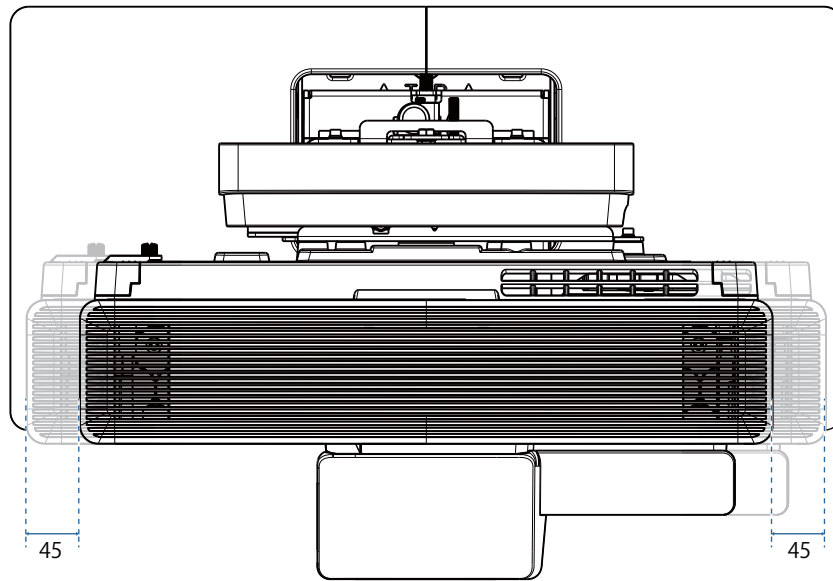
External dimensions



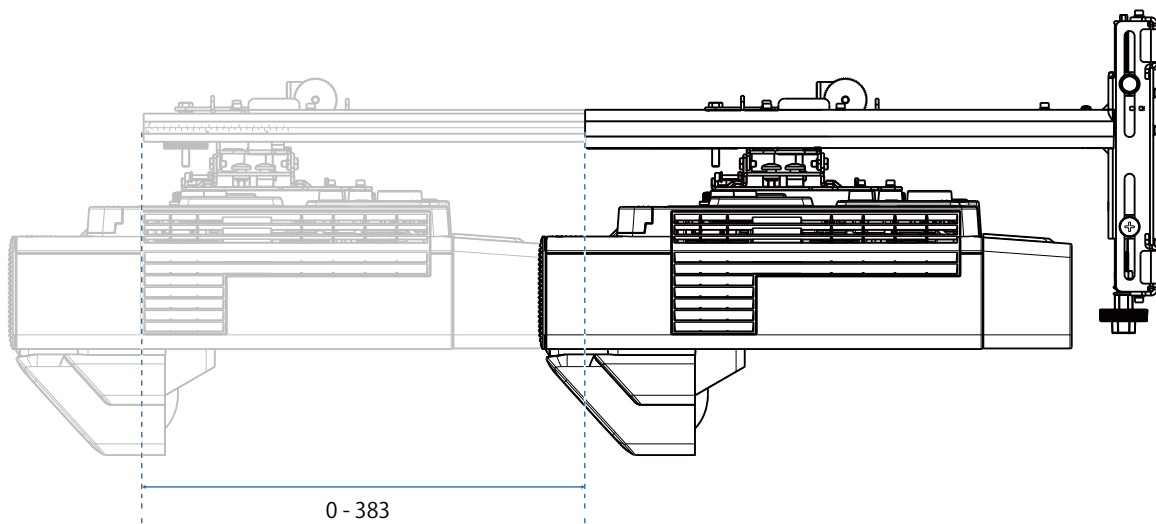
Installing the Wall mount



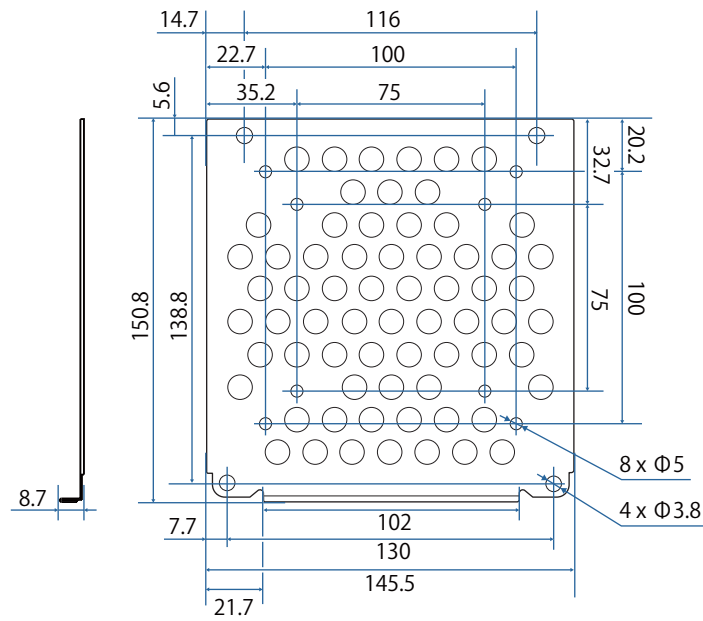
■ Horizontal slide



■ Forward/backward slide



Mini PC installation plate



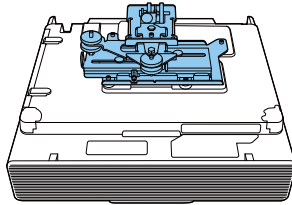
Item	Specification
Screw holes for installing PC (VESA compliant)	75 mm x 75 mm 100 mm x 100 mm
Supported PC sizes	Within 150 mm x 150 mm x 44 mm
Supported PC weight	0.7 kg or less

Installation Procedure for the Wall Mount

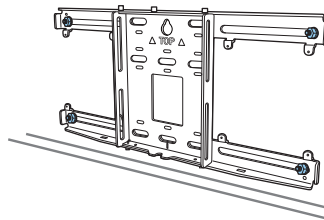
Follow the work flow below to install the wall mount.

Route the cables before installing the wall mount according to your installation environment.

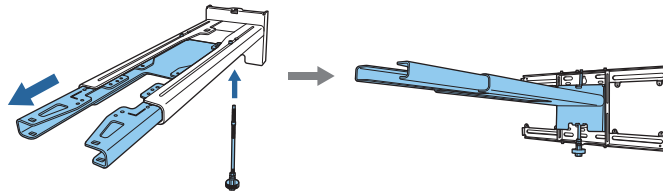
- 1 Check the projection distance tables to determine the installation position (☛ p.29)
- 2 Attach the adjustment unit to the projector (☛ p.40)



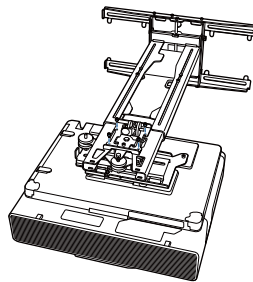
- 3 Install the wall plate on the wall (☛ p.42)



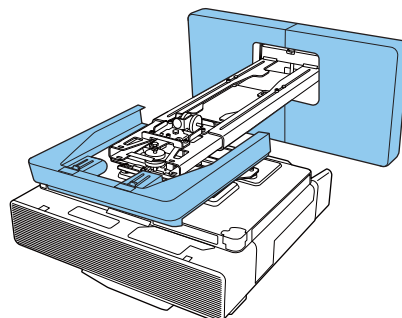
- 4 Adjust the arm length of the setting plate, and then attach it to the wall plate (☛ p.44)



- 5 Attach the adjustment unit to the setting plate, and then connect the cables and peripheral devices (☛ p.48)



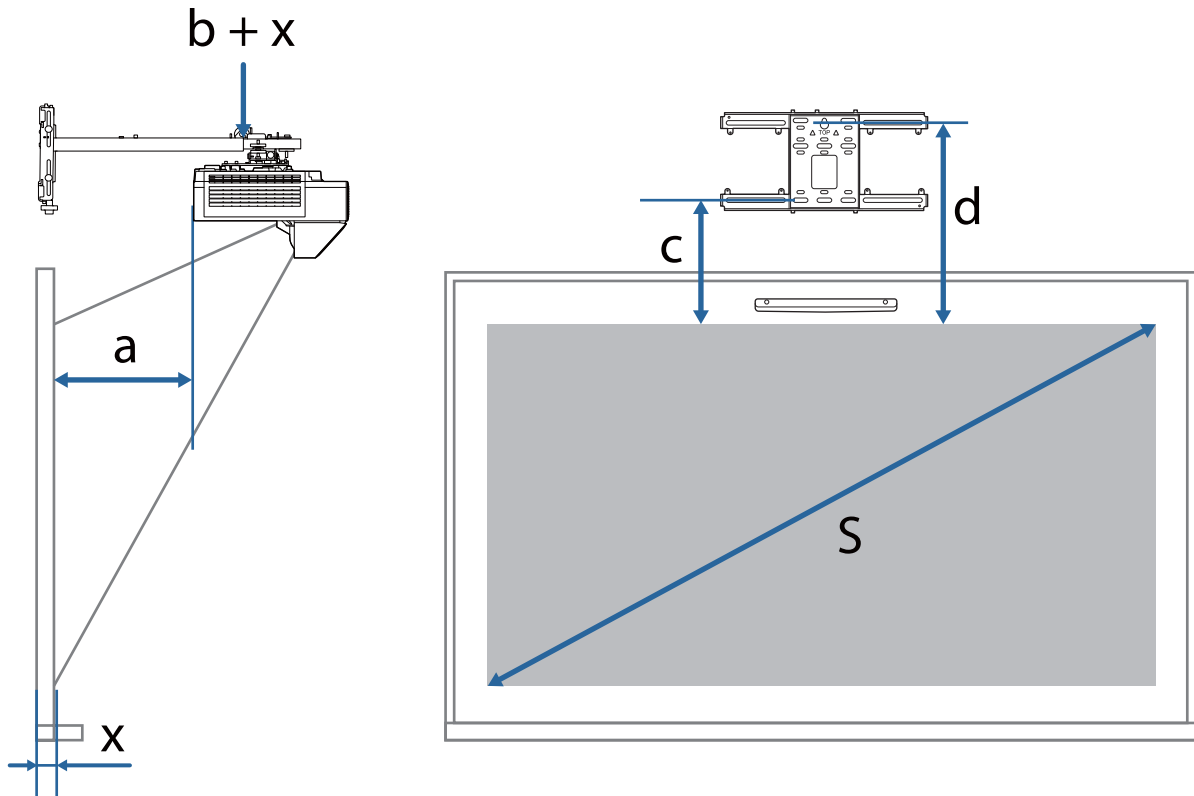
- 6 Adjust the position of the image (☛ p.52)
- 7 Attach the covers (☛ p.67)



Installing the Bracket

■ Determining the installation position (projection distance tables)

Determine the installation position of the wall plate according to the size of the screen (S) you want to project on to. See the following figure to check the values from a to d.



- | | | | |
|----|---|----|---|
| a: | Projection distance: Minimum (Wide) to Maximum (Tele) | c: | Distance from the top edge of the image to the installation screw hole for the wall plate at the bottom |
| b: | Number on the arm slide scale on the setting plate | d: | Distance from the top edge of the image to the temporary screw hole for the wall plate |
| x: | Distance from the wall to the projection surface (100 mm or less) | S: | Projected image size |

16:10 projected image

[Unit: mm]

	S	a	b	c	d
61"	1314 × 821	164 - 310	154 - 300	202	394
62"	1335 × 835	171 - 319	161 - 309	204	396
63"	1357 × 848	178 - 329	168 - 319	206	398
64"	1379 × 862	185 - 338	175 - 328	208	400
65"	1400 × 875	191 - 347	181 - 337	209	401
66"	1422 × 888	198 - 356	188 - 346	211	403
67"	1443 × 902	205 - 366	195 - 356	213	405
68"	1465 × 915	212 - 375	202 - 365	215	407
69"	1486 × 929	219 - 384	209 - 374	216	408
70"	1508 × 942	226	216	218	410
71"	1529 × 956	232	222	220	412
72"	1551 × 969	239	229	222	414
73"	1572 × 983	246	236	223	415
74"	1594 × 996	253	243	225	417
75"	1615 × 1010	260	250	227	419
76"	1637 × 1023	267	257	229	421
77"	1659 × 1037	274	264	230	422
78"	1680 × 1050	280	270	232	424
79"	1702 × 1063	287	277	234	426

S		a	b	c	d
80"	1723 × 1077	294	197	236	428
81"	1745 × 1090	301	204	237	429
82"	1766 × 1104	308	211	239	431
83"	1788 × 1117	315	218	241	433
84"	1809 × 1131	321	224	243	435
85"	1831 × 1144	328	231	244	436
86"	1852 × 1158	335	238	246	438
87"	1874 × 1171	342	245	248	440
88"	1895 × 1185	349	252	250	442
89"	1917 × 1198	356	259	251	443
90"	1939 × 1212	363	266	253	445

16:9 projected image

[Unit: mm]

	S	a	b	c	d
65"	1439 × 809	158 - 302	148 - 292	201	393
66"	1461 × 822	164 - 311	154 - 301	202	394
67"	1483 × 834	171 - 319	161 - 309	204	396
68"	1505 × 847	177 - 328	167 - 318	206	398
69"	1528 × 859	183 - 336	173 - 326	207	399
70"	1550 × 872	190 - 345	180 - 335	209	401
71"	1572 × 884	196 - 353	186	210	402
72"	1594 × 897	202 - 362	192	212	404
73"	1616 × 909	209 - 370	199	214	406
74"	1638 × 921	215 - 379	205	215	407
75"	1660 × 934	221	211	217	409
76"	1682 × 946	228	218	219	411
77"	1705 × 959	234	224	220	412
78"	1727 × 971	240	230	222	414
79"	1749 × 984	247	237	223	415

S		a	b	c	d
80"	1771 × 996	253	156	225	417
81"	1793 × 1009	259	162	227	419
82"	1815 × 1021	266	169	228	420
83"	1837 × 1034	272	175	230	422
84"	1860 × 1046	278	181	232	424
85"	1882 × 1058	285	188	233	425
86"	1904 × 1071	291	194	235	427
87"	1926 × 1083	297	200	236	428
88"	1948 × 1096	304	207	238	430
89"	1970 × 1108	310	213	240	432
90"	1992 × 1121	316	219	241	433
91"	2015 × 1133	323	226	243	435
92"	2037 × 1146	329	232	245	437
93"	2059 × 1158	335	238	246	438
94"	2081 × 1171	342	245	248	440
95"	2103 × 1183	348	251	249	441
96"	2125 × 1195	354	257	251	443
97"	2147 × 1208	361	264	253	445
98"	2170 × 1220	367	270	254	446
99"	2192 × 1233	373	276	256	448
100"	2214 × 1245	380	283	257	449

4:3 projected image

[Unit: mm]

	S	a	b	c	d
65"	1321 × 991	250	240	224	416
66"	1341 × 1006	258	248	226	418
67"	1361 × 1021	266	256	228	420
68"	1382 × 1036	273	263	230	422
69"	1402 × 1052	281	271	232	424
70"	1422 × 1067	289	279	234	426
71"	1443 × 1082	297	287	236	428
72"	1463 × 1097	304	294	238	430
73"	1483 × 1113	312	302	240	432
74"	1504 × 1128	320	310	242	434
75"	1524 × 1143	328	318	244	436
76"	1544 × 1158	335	325	246	438
77"	1565 × 1173	343	333	248	440
78"	1585 × 1189	351	341	250	442
79"	1605 × 1204	359	349	252	444
80"	1626 × 1219	366	269	254	446

16:6 projected image

[Unit: mm]

S		a	b	c	d
65"	1546 × 580	189 - 343	179 - 333	353	545
66"	1570 × 589	195 - 353	185 - 343	357	549
67"	1593 × 598	202 - 362	192 - 352	361	553
68"	1617 × 606	209 - 371	199 - 361	365	557
69"	1641 × 615	216 - 380	206 - 370	369	561
70"	1665 × 624	223 - 389	213 - 379	373	565
71"	1689 × 633	229 - 398	219 - 388	377	569
72"	1712 × 642	236 - 408	226 - 398	381	573
73"	1736 × 651	243 - 417	233 - 407	385	577
74"	1760 × 660	250 - 426	240 - 416	389	581
75"	1784 × 669	257 - 435	247 - 425	393	585
76"	1807 × 678	263 - 444	253 - 434	397	589
77"	1831 × 687	270 - 454	260 - 444	401	593
78"	1855 × 696	277 - 463	267 - 453	405	597
79"	1879 × 705	284 - 472	274 - 462	409	601

	S	a	b	c	d
80"	1903 × 713	291 - 481	194 - 384	413	605
81"	1926 × 722	297 - 490	200 - 393	417	609
82"	1950 × 731	304 - 500	207 - 403	421	613
83"	1974 × 740	311 - 509	214 - 412	425	617
84"	1998 × 749	318 - 518	221 - 421	429	621
85"	2022 × 758	325 - 527	228 - 430	433	625
86"	2045 × 767	331 - 536	234 - 439	437	629
87"	2069 × 776	338 - 545	241 - 448	441	633
88"	2093 × 785	345 - 555	248 - 458	445	637
89"	2117 × 794	352 - 564	255 - 467	449	641
90"	2140 × 803	359	262	453	645
91"	2164 × 812	365	268	457	649
92"	2188 × 821	372	275	461	653
93"	2212 × 829	379	282	465	657
94"	2236 × 838	386	289	469	661
95"	2259 × 847	393	296	473	665
96"	2283 × 856	400	303	477	669
97"	2307 × 865	406	309	481	673
98"	2331 × 874	413	316	485	677
99"	2354 × 883	420	323	489	681

	S	a	b	c	d
100"	2378 × 892	427	330	492	684
101"	2402 × 901	434	337	496	688
102"	2426 × 910	440	343	500	692
103"	2450 × 919	447	350	504	696
104"	2473 × 928	454	357	508	700
105"	2497 × 936	461	364	512	704
106"	2521 × 945	468	371	516	708
107"	2545 × 954	474	377	520	712
108"	2569 × 963	481	384	524	716
109"	2592 × 972	488	391	528	720
110"	2616 × 981	495	398	532	724
111"	2640 × 990	502	405	536	728
112"	2664 × 999	508	411	540	732
113"	2687 × 1008	515	418	544	736
114"	2711 × 1017	522	425	548	740
115"	2735 × 1026	529	432	552	744
116"	2759 × 1035	536	439	556	748
117"	2783 × 1043	542	445	560	752
118"	2806 × 1052	549	452	564	756
119"	2830 × 1061	556	459	568	760
120"	2854 × 1070	563	466	572	764

21:9 projected image

[Unit: mm]

S		a	b	c	d
65"	1518 × 650	181 - 332	171 - 322	308	500
66"	1541 × 660	187 - 341	177 - 331	311	503
67"	1564 × 670	194 - 350	184 - 340	315	507
68"	1588 × 680	201 - 359	191 - 349	318	510
69"	1611 × 690	207 - 368	197 - 358	321	513
70"	1634 × 700	214 - 378	204 - 368	324	516
71"	1658 × 710	221 - 387	211 - 377	328	520
72"	1681 × 720	227 - 396	217 - 386	331	523
73"	1704 × 730	234 - 405	224 - 395	334	526
74"	1728 × 740	241 - 414	231 - 404	338	530
75"	1751 × 750	247 - 423	237 - 413	341	533
76"	1774 × 760	254 - 432	244 - 422	344	536
77"	1798 × 770	261 - 441	251 - 431	347	539
78"	1821 × 780	267 - 450	257 - 440	351	543
79"	1844 × 790	274 - 459	264 - 449	354	546

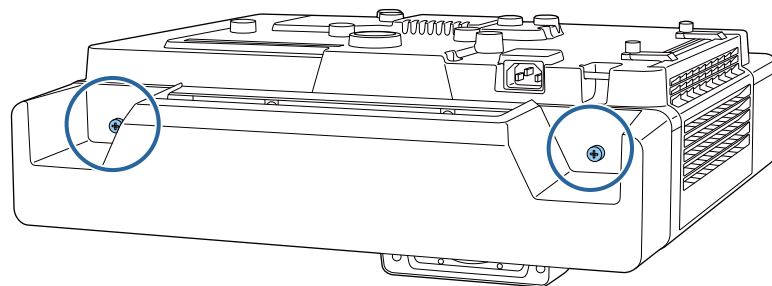
S		a	b	c	d
80"	1868 × 800	281 - 468	184 - 371	357	549
81"	1891 × 810	287 - 477	190 - 380	360	552
82"	1914 × 820	294 - 486	197 - 389	364	556
83"	1938 × 830	301 - 495	204 - 398	367	559
84"	1961 × 840	307 - 504	210 - 407	370	562
85"	1984 × 850	314 - 513	217 - 416	374	566
86"	2008 × 860	321 - 522	224 - 425	377	569
87"	2031 × 870	327 - 531	230 - 434	380	572
88"	2054 × 880	334 - 540	237 - 443	383	575
89"	2078 × 890	341 - 549	244 - 452	387	579
90"	2101 × 900	347 - 558	250 - 461	390	582
91"	2125 × 911	354 - 567	257 - 470	393	585
92"	2148 × 921	361	264	396	588
93"	2171 × 931	367	270	400	592
94"	2195 × 941	374	277	403	595
95"	2218 × 951	381	284	406	598
96"	2241 × 961	388	291	410	602
97"	2265 × 971	394	297	413	605
98"	2288 × 981	401	304	416	608
99"	2311 × 991	408	311	419	611

	S	a	b	c	d
100"	2335 × 1001	414	317	423	615
101"	2358 × 1011	421	324	426	618
102"	2381 × 1021	428	331	429	621
103"	2405 × 1031	434	337	432	624
104"	2428 × 1041	441	344	436	628
105"	2451 × 1051	448	351	439	631
106"	2475 × 1061	454	357	442	634
107"	2498 × 1071	461	364	446	638
108"	2521 × 1081	468	371	449	641
109"	2545 × 1091	474	377	452	644
110"	2568 × 1101	481	384	455	647
111"	2591 × 1111	488	391	459	651
112"	2615 × 1121	494	397	462	654
113"	2638 × 1131	501	404	465	657
114"	2661 × 1141	508	411	468	660
115"	2685 × 1151	514	417	472	664
116"	2708 × 1161	521	424	475	667
117"	2732 × 1171	528	431	478	670
118"	2755 × 1181	534	437	482	674
119"	2778 × 1191	541	444	485	677
120"	2802 × 1201	548	451	488	680

■ Attaching the adjustment unit to the projector

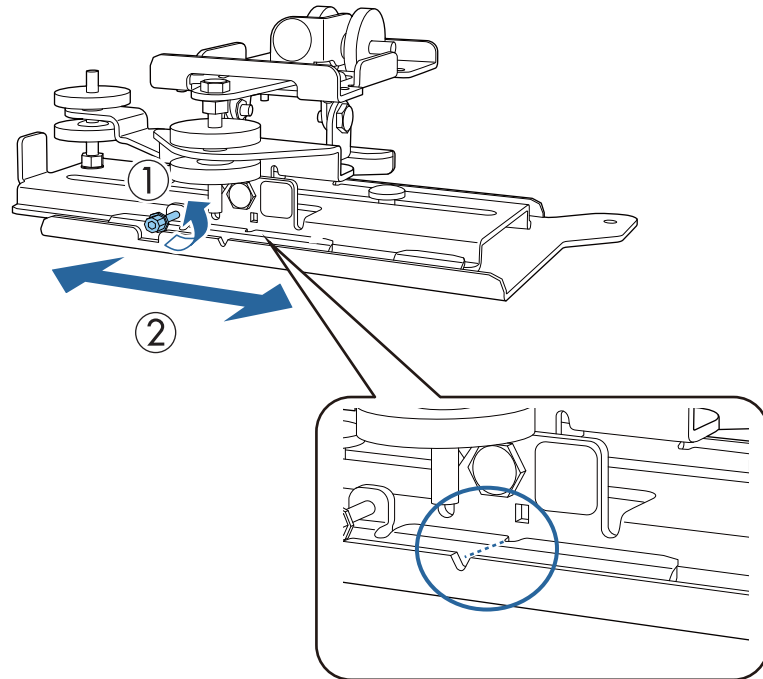
1

Loosen the screws (x2) and remove the cable cover from the projector



2

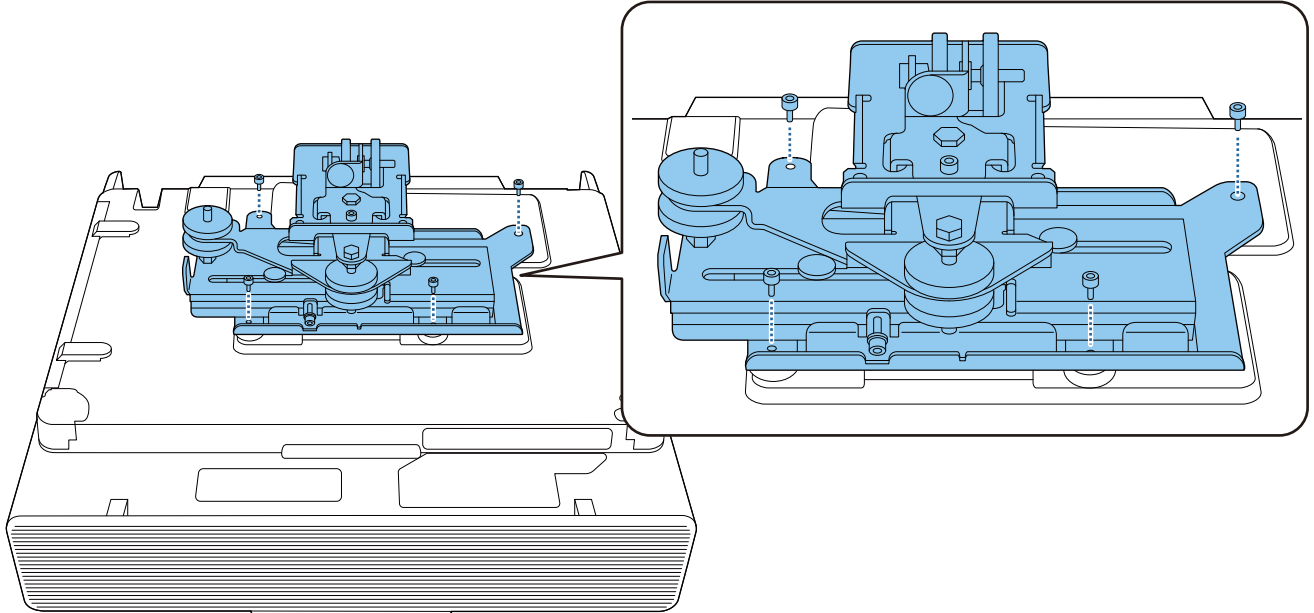
Loosen the M4 bolt on the adjustment unit, and then align the marks for each part



When the position is correct, tighten the M4 bolt.

3

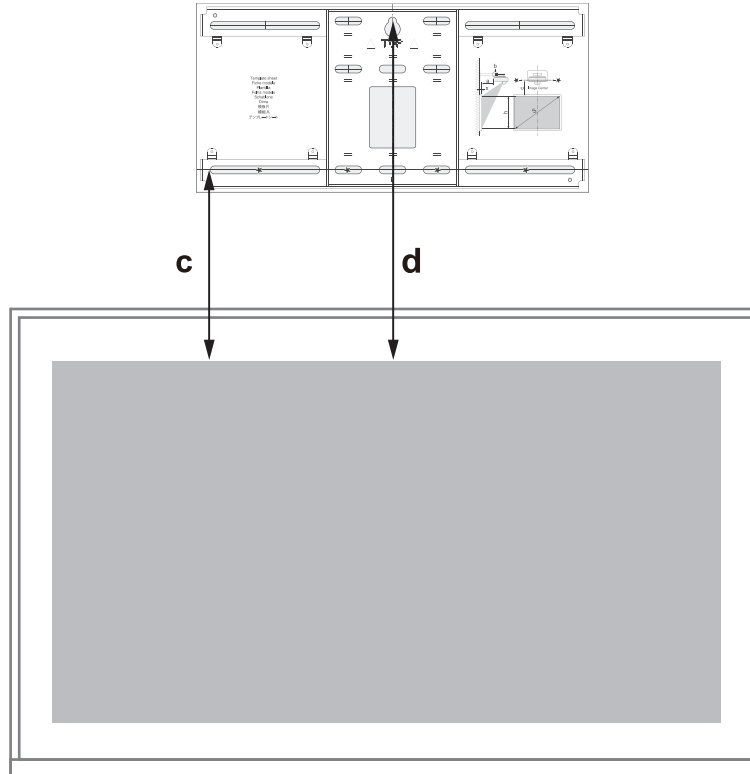
Secure the adjustment unit to the base of the projector with the M4 x 12 mm bolts (x4) supplied



■ Install the wall plate on the wall

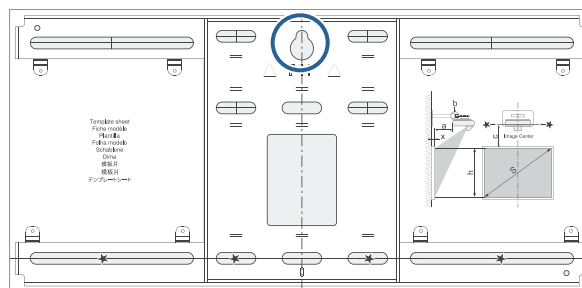
1 Attach the template sheet to the wall

Attach the template sheet according to the installation position that you confirmed using the projection distance table (p.29).



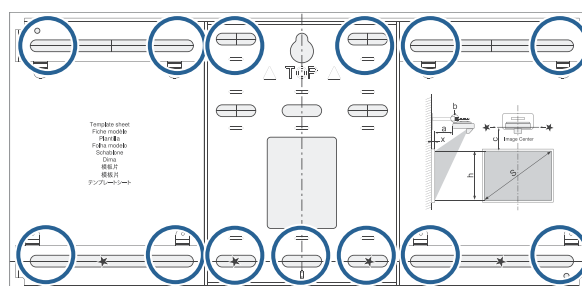
2 Drive a commercially available M10 screw into the position of the temporary screw hole for the wall plate

Leave a gap of 6 mm or more between the wall and the screw head.



3 Determine the positions for the mounting holes for the wall plate

From the screw holes shown in the figure below, secure at least four points for optimum balance.



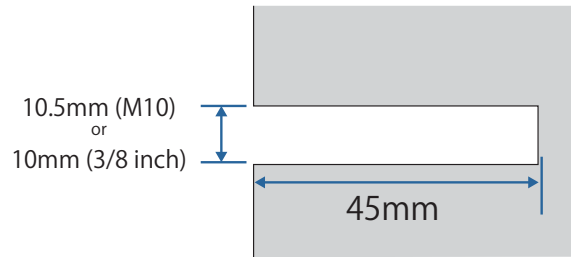
4

Drill the holes in the wall

Drill diameter: 10.5 mm (M10) or 10 mm (3/8 inch)

Pilot hole depth: 45 mm

Anchor hole depth: 40 mm

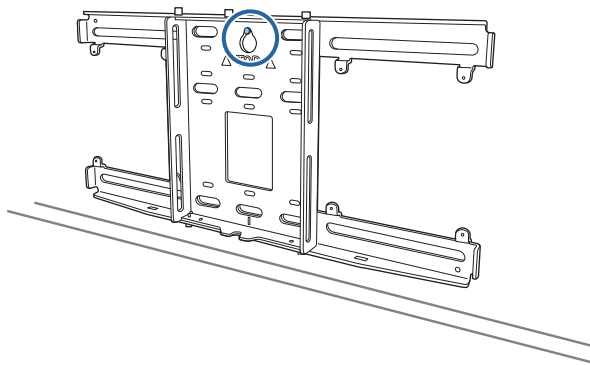


5

Remove the template sheet

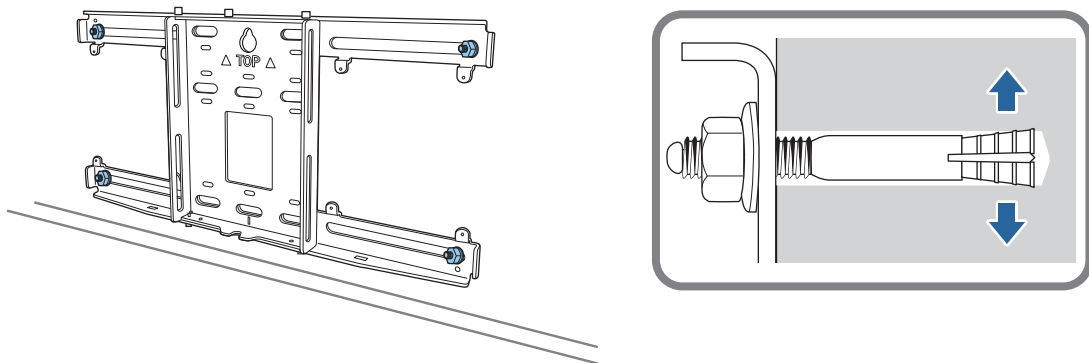
6

Place the wall plate on the temporary M10 screw that you installed in step 2



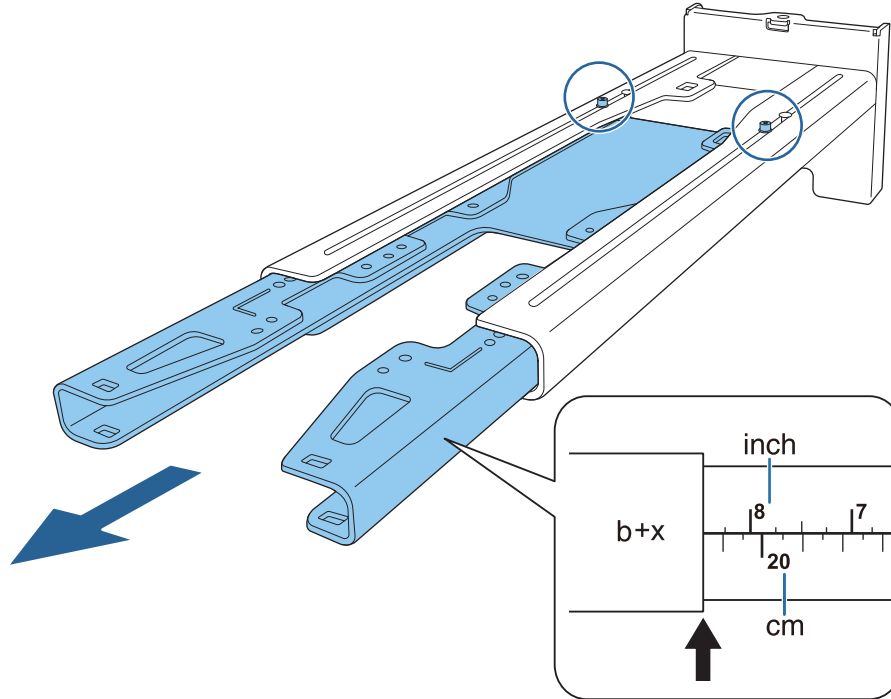
7

Use commercially available M10 or 3/8 inch x 60 mm anchor bolts to secure the wall plate to the holes you drilled in step 4

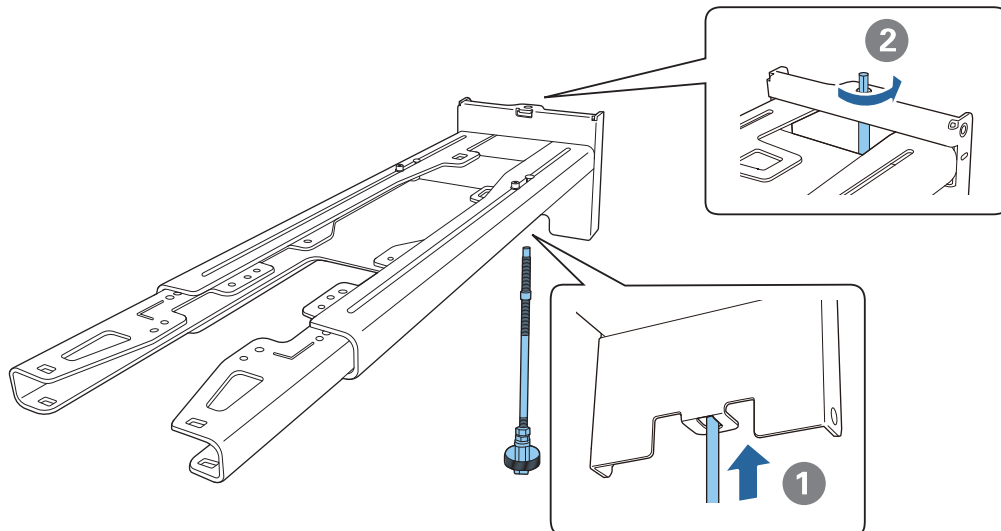


■ Attaching the setting plate to the wall plate

- 1** Loosen the M4 x 12 mm bolts (x2) and extend the arm slide on the setting plate
Adjust the scale on the slider to the combined distance of the value for (b) confirmed in the projection distance table (p.29) and the thickness of the projection surface (x).

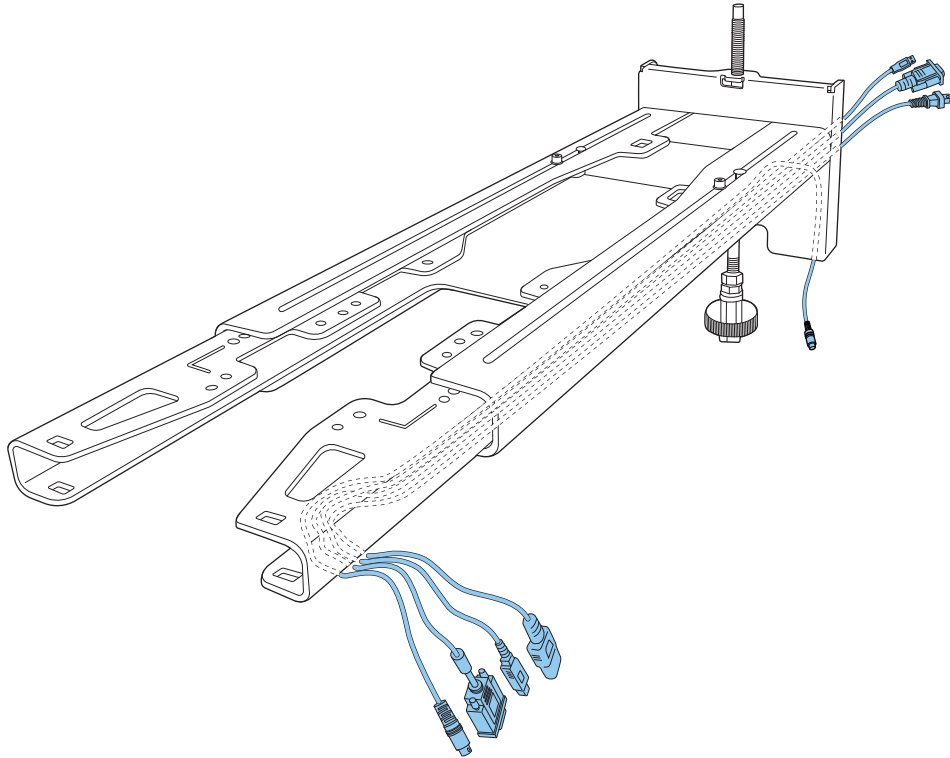



- 2** Insert the hexagonal axis into the setting plate



3

Route the necessary cables through the setting plate



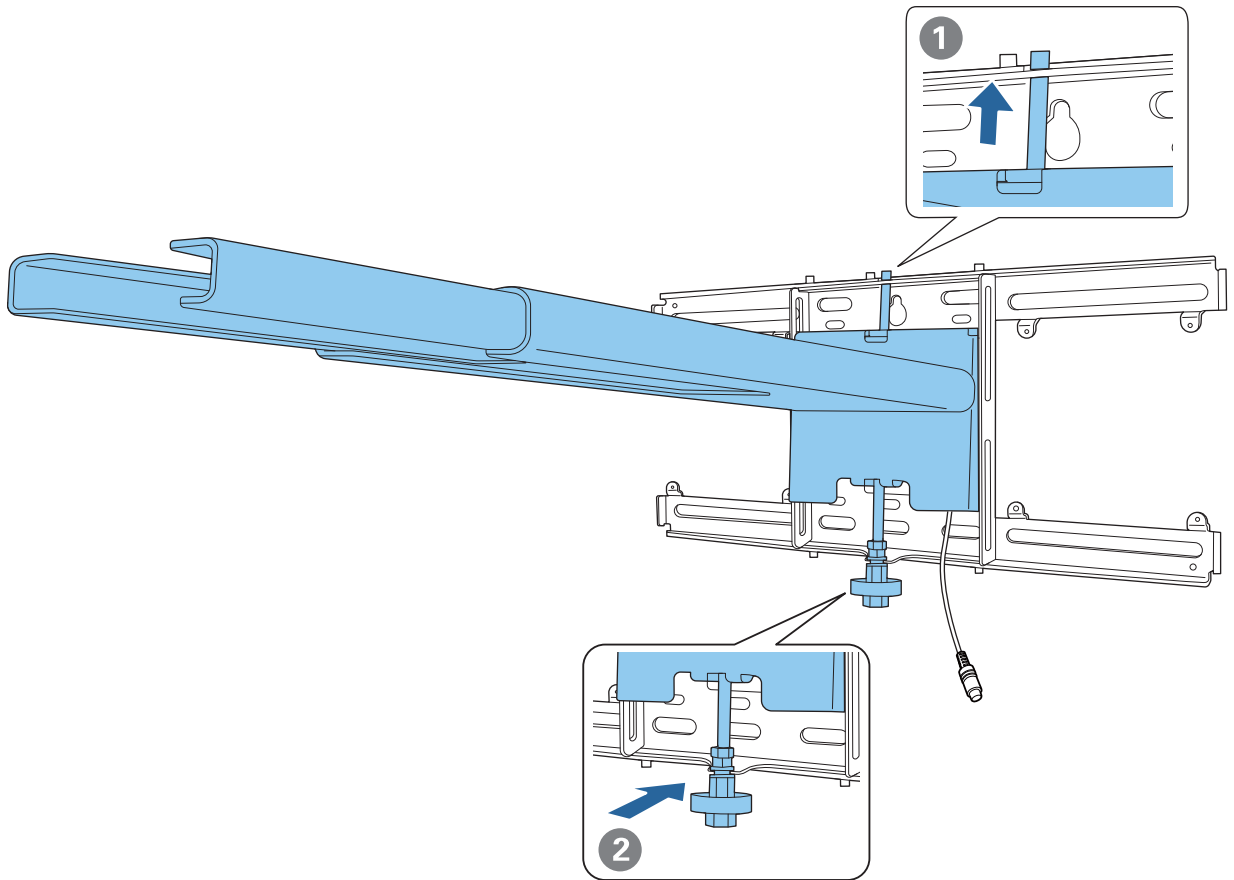
 Warning


Do not hang the rest of the cable over the setting plate. They could fall and cause an accident.



- The following connection ports should be routed so that they come out of the lower part of the setting plate and not through walls.
 - Cable for connecting to the Touch Unit
 - Cables for connecting to peripheral devices such as mini-PCs

- 4** Attach the setting plate to the wall plate
Insert the hexagonal axis until the tip extends slightly out of the top of the wall plate and the other end connects to the bottom of the wall plate.



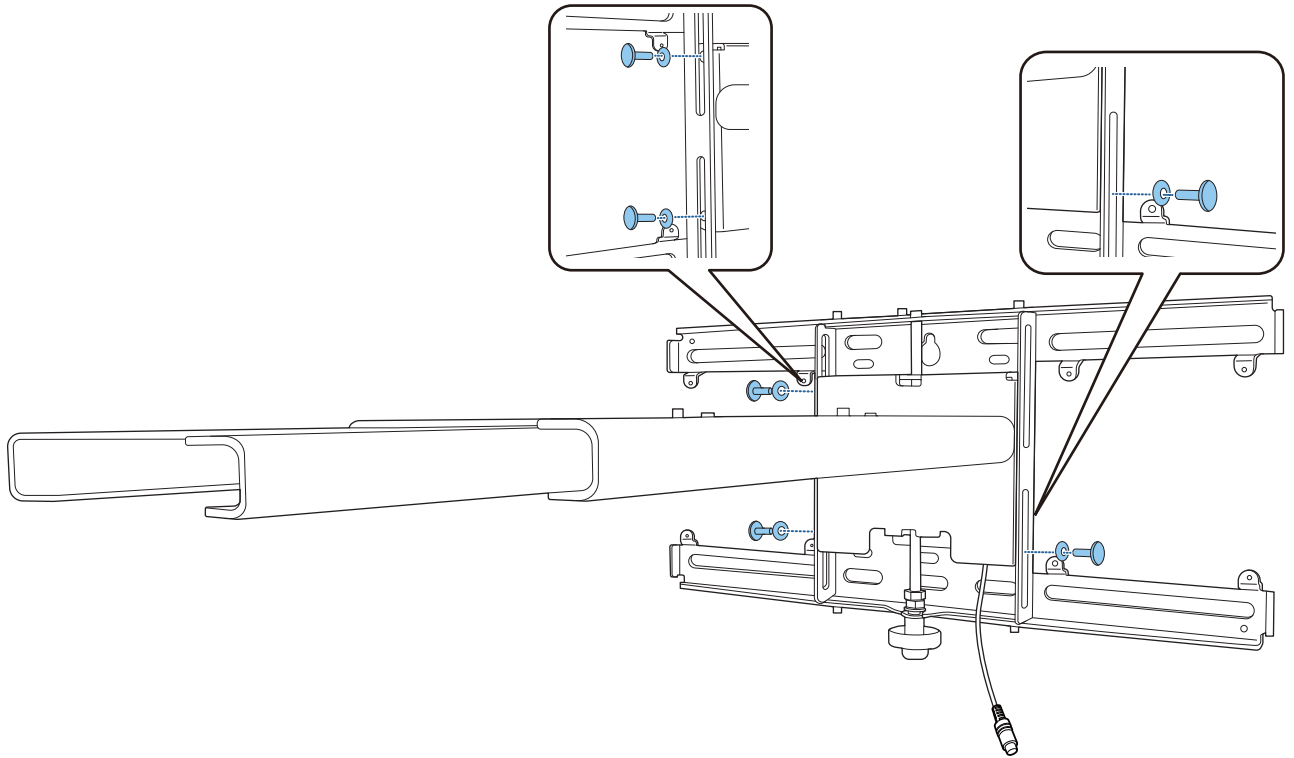
 **Caution**

Take care not to trap the cables between the setting plate and wall plate.

5

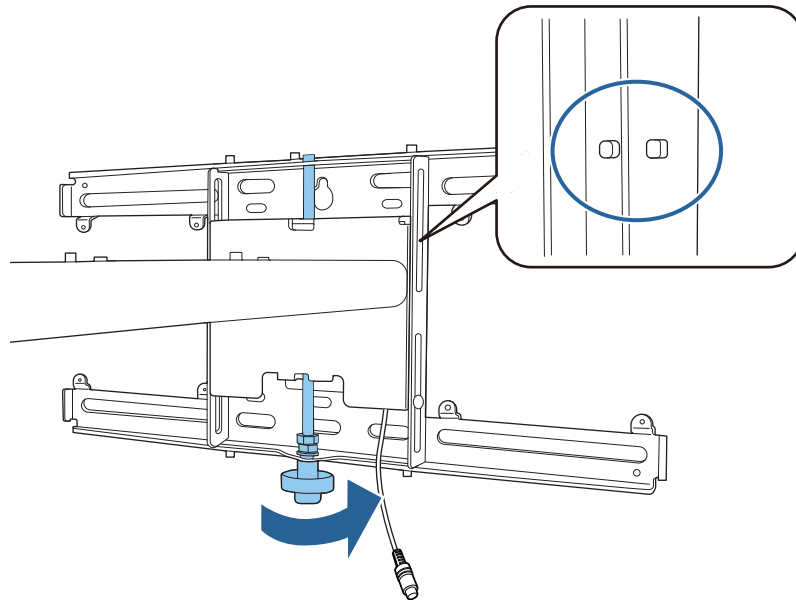
Temporarily secure the setting plate

Secure three points with the M6 screws supplied (x3).

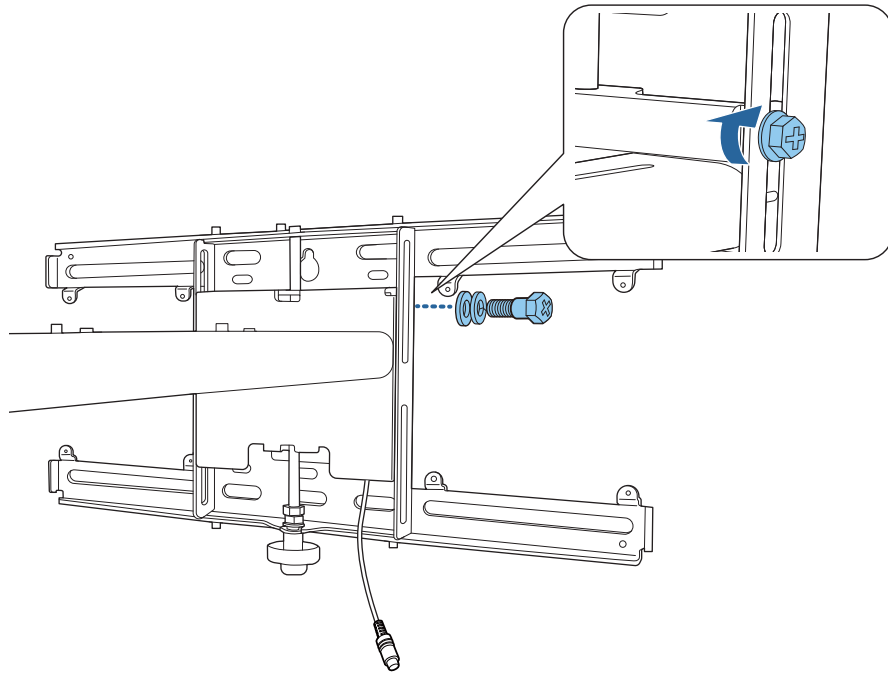


6

Adjust the vertical slide with the open-ended spanner to align the marks on the wall plate and the setting plate.



7 Tighten the M6 bolt (x1) to secure the setting plate in position

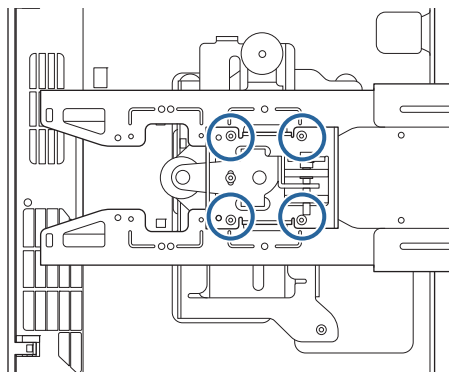


■ Attaching the adjustment unit to the setting plate

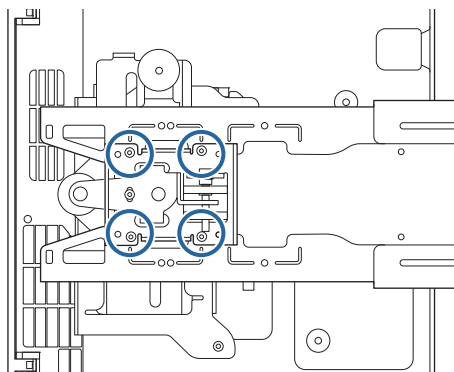
1 Check the installation position for the adjustment unit

The installation position is marked on the setting plate. Install at an appropriate position according to the size of the screen you want to project on to.

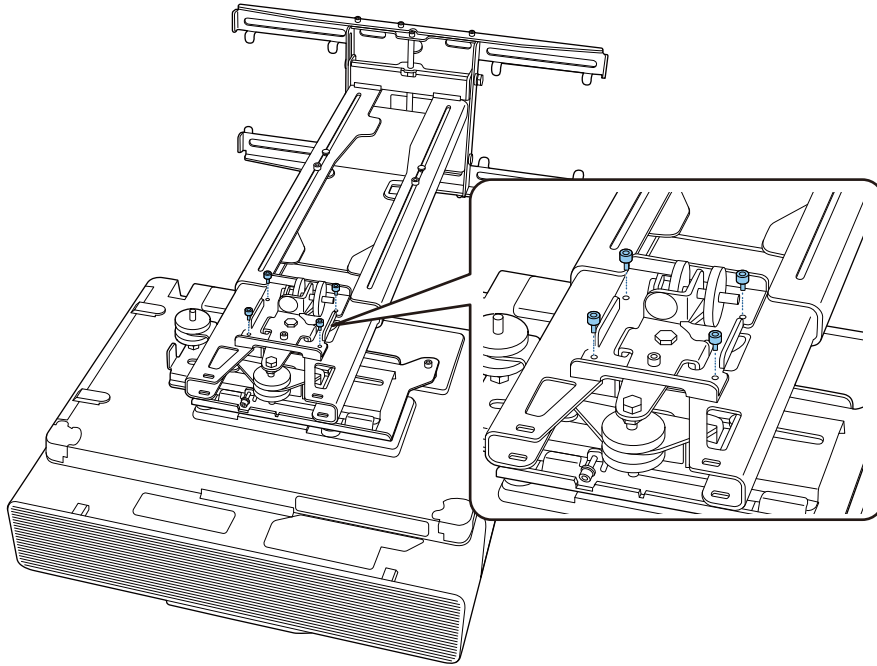
- When a projected image is smaller than 80 inches: Install the unit at the ○ mark.



- When a projected image is 80 inches or more: Install the unit at the ○○ mark.



2 Attach the adjustment unit to the setting plate with the M4 x 12 mm bolts (x4) supplied

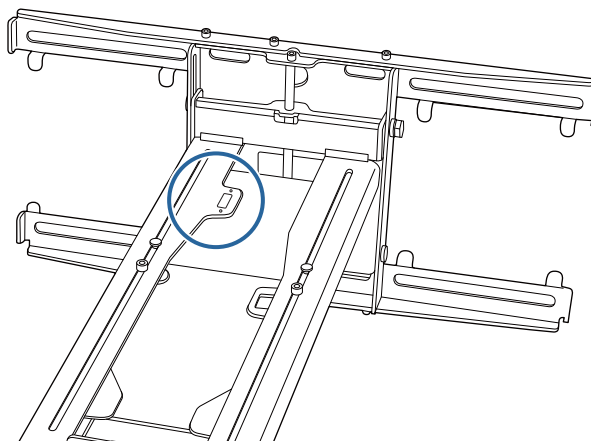


3 Connect the cables to the projector
Connect the power cord last.

■ Attaching peripheral devices

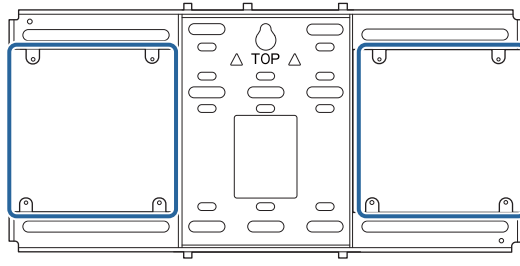
Attaching external tuners and accessories

Use commercially available M4 screws to secure external tuners and accessories to the screw holes as shown in the following figure.



Attaching a mini PC or stick PC

Attach the mini PC or stick PC to the mini PC plate, and secure it to the left or right side of the wall plate.



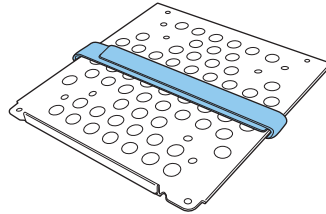
Attach it so that the air exhaust vents of the PC are not blocked.

We recommend installing the PC so that the air exhaust vents are at the top and the air intake vents are at the bottom.

When securing with the mini PC belt

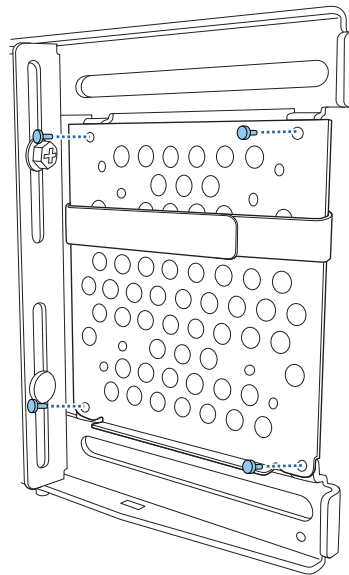
1

Wrap the belt around the mini PC plate



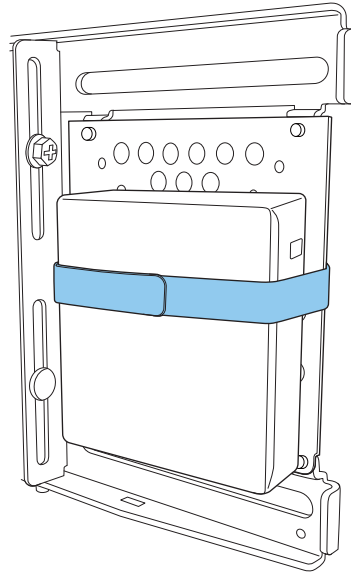
2

Secure the mini PC plate to the wall plate using the M3 x 6 mm screws (x4) supplied.



3

Place the PC on the lower edge of the mini PC plate, and secure it with the belt

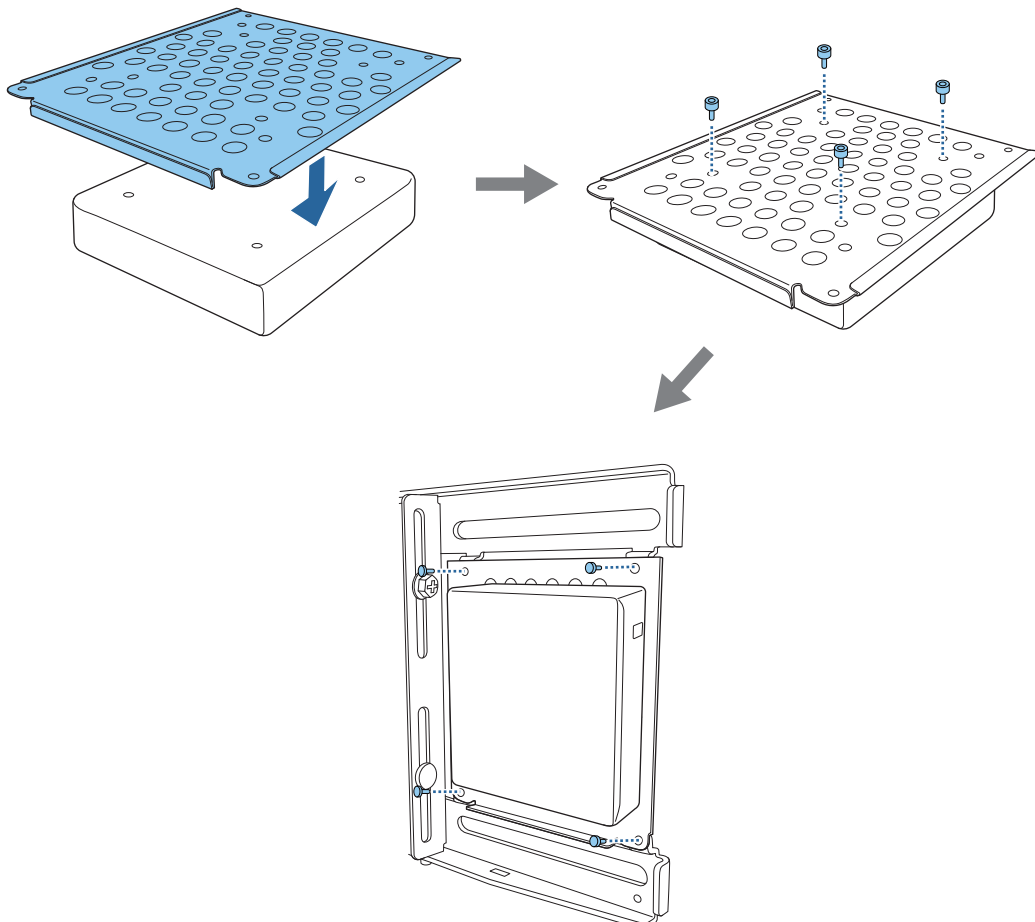


When securing with screws

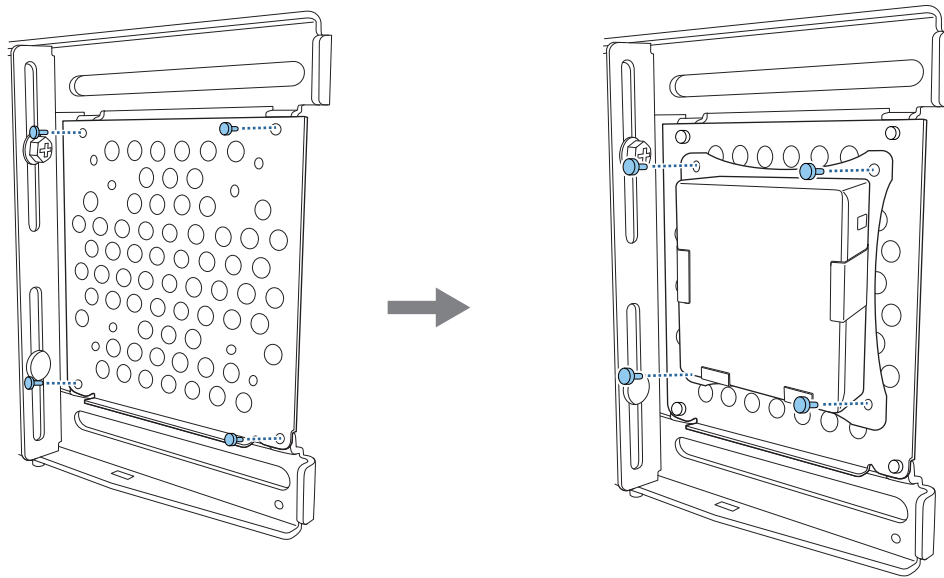
Depending on the shape of the mini PC and the orientation of the screw holes, the order in which parts are installed differs. Be sure to check the installation instructions in advance.

Installation example

- Secure the mini PC plate with the PC installed to the wall plate using the M3 x 6 mm screws (x4) supplied.



- Secure the mini PC plate to the wall plate using the M3 x 6 mm screws (x4) supplied, and then install the PC.



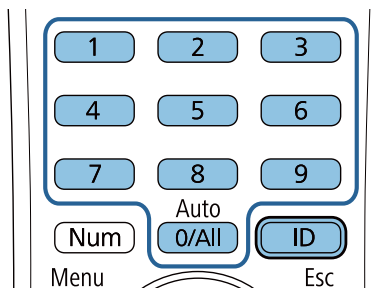
Adjusting the position of the projected image

You can use any of the following methods to adjust the position of the projected image.



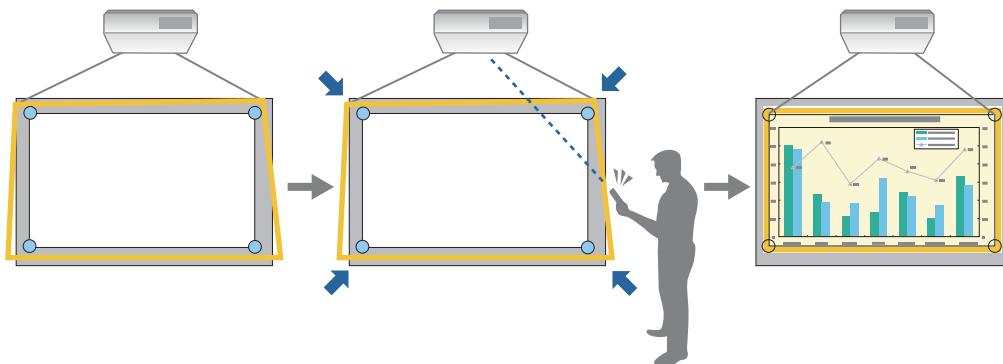
When multiple projectors are installed in the same room, we recommend that you set projector IDs to prevent remote control interference.

Turn on a projector and set the ID number for the projector in **Installation > Projector ID**. When you want to operate a specific projector, hold down the [ID] button on the remote control and press the button with the same number as the projector ID.



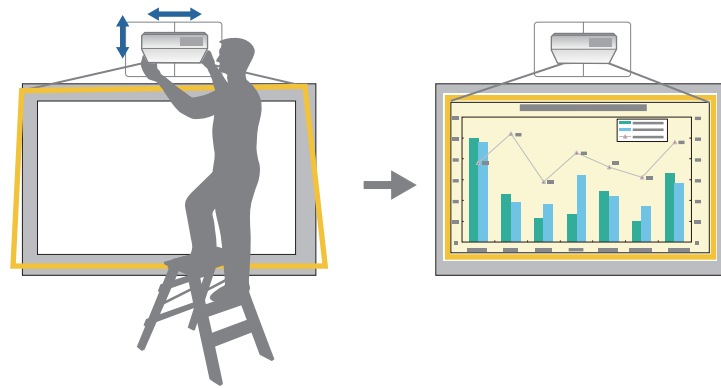
- Auto Screen Adjustment ([p.55](#))

Attach corner markers to the four corners of the projection position to automatically adjust the position of the image. This is useful when you want to perform an approximate adjustment to a specific position.



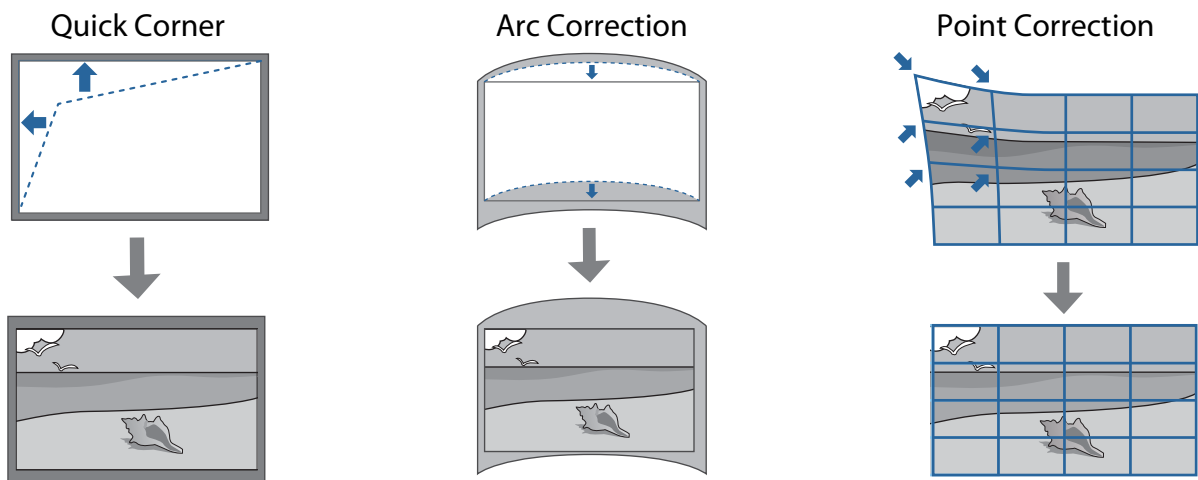
- Adjusting using the Setting Plate Installation Guide ([p.58](#))

Manually adjust the position of the setting plate according to the guide screen displayed. This is useful when you want to perform fine adjustments to the projection position while maintaining the image quality.



- Adjusting using the projector menus (p.62)

Select the area you want to adjust and manually correct the image. This is useful when you want to make fine adjustments to the projection position after making mechanical adjustments using the guide screen.

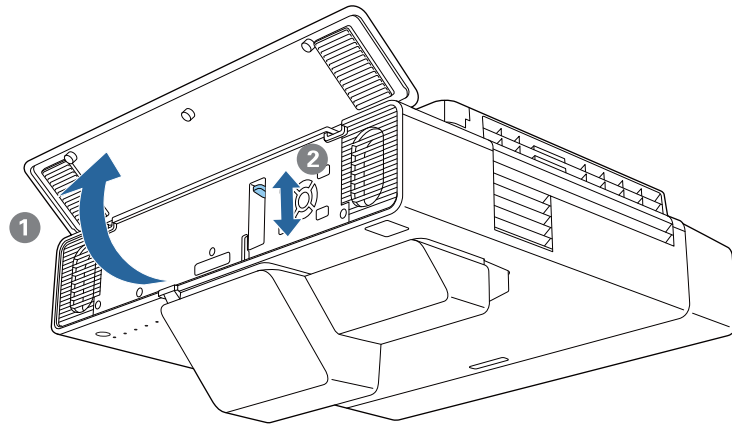


- Images are not stable immediately after turning on the projector. After starting projection, wait for at least 20 minutes before adjusting the image.
- When setting up multiple projectors using the batch setup function, perform the batch setup before adjusting the projected image.
- We recommend the mechanical position adjustment of the setting plate to adjust the image when you want to maintain image quality.

■ Preparations before adjusting

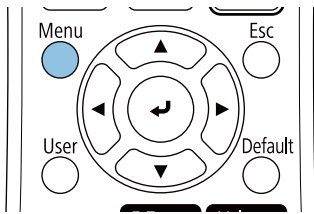
- 1 Press the [⏻] button on the remote control or the control panel to turn on the projector

- Open the projector's front cover, and then perform approximate focus adjustment using the focus lever

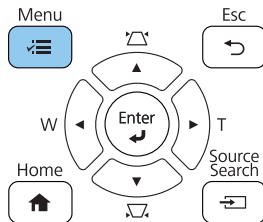


- Press the [Menu] button

Using the Remote Control



Using the Control Panel



- Select **Screen Type** from the **Installation** menu to set the aspect ratio of the projected image

Frequently Used Items	Installation	
Image	Fixed Installation	Off
Signal I/O	Test Pattern	
Installation	Setting Plate Installation Guide	
Display	Vertical Installation	No
Operation	Projection	Front/Upside Down
Management	Auto Screen Adjustment	
Network	Geometry Correction	Point Correction
Pen/Touch	Digital Zoom	▼
Interactive	Connect ELPCB02	Off
Multi-Projection	Touch Unit	
Memory	Remote Receiver	Off
ECO	Screen Type	16:9 ▼
Initial/All Settings	High Altitude Mode	Off
	Reset Installation Settings	
	Display	
	Pattern Display	
	Pattern Type	

- Change the aspect ratio if necessary

Project images from a connected device, and then press the [Aspect] button on the remote control. Each time you press the button, you see the aspect name on the screen and the aspect ratio changes.



The aspect ratio does not change when no images are being projected from the connected device.

■ Auto Screen Adjustment

Attach corner markers to the four corners of the projection position to automatically adjust the position of the image.

Auto Screen Adjustment works correctly under the following conditions.

- Projection size: 110 inches or less
- Projector direction: Within 3° up, down, left, or right



• Auto Screen Adjustment may not work properly depending on the surface of the projected screen. The following conditions are necessary to perform Auto Screen Adjustment.

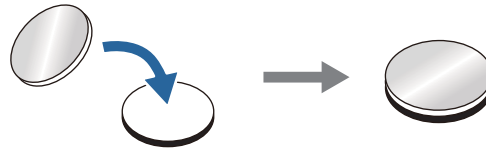
- A flat projection surface
- No patterns, dirt, or obstacles on the projection surface
- Before performing the Auto Screen Adjustment, set the Screen Type setting first. If you change the Screen Type after performing Auto Screen Adjustment, the adjustments will be reset.

1

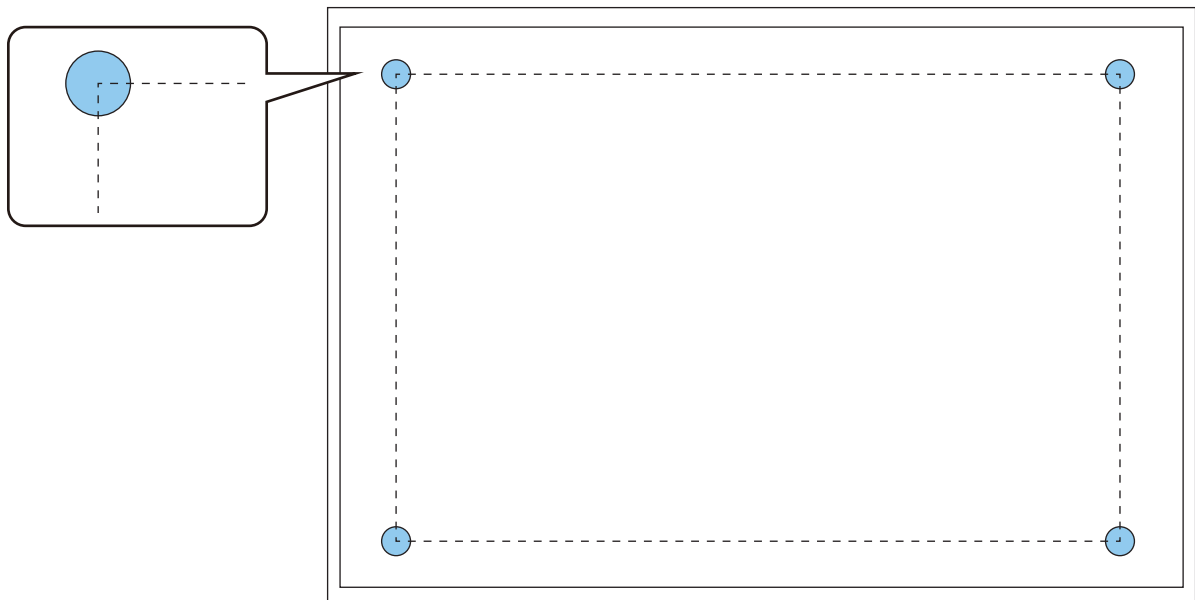
Place the corner markers at the four corners of the position you want to project to



- Corner markers cannot be placed again. We recommend marking the position where you want to place the markers in advance.
- If you want to replace markers repeatedly, stick them onto the magnetic sheet supplied.



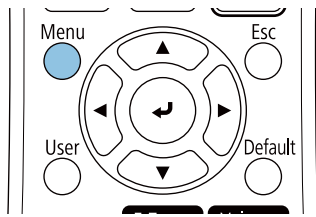
Place the markers so that the corners of the projection position overlap with the center of the corner markers.



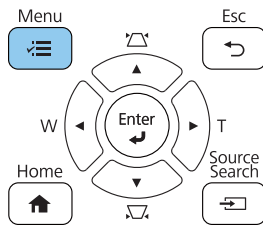
2

Press the [Menu] button

Using the Remote Control



Using the Control Panel



3

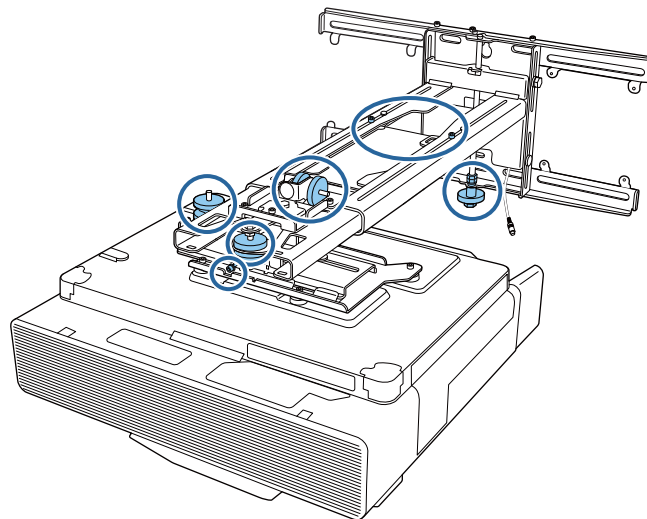
Select **Auto Screen Adjustment** from the **Installation** menu

Frequently Used Items	Installation
Image	Fixed Installation Off
Signal I/O	Test Pattern
Installation	Setting Plate Installation Guide
Display	Vertical Installation No
Operation	Projection Front/Upside Down
Management	Auto Screen Adjustment
Network	Geometry Correction Point Correction
Pen/Touch	Digital Zoom
Interactive	Connect ELPCB02 Off
Multi-Projection	Touch Unit
Memory	Remote Receiver Off
ECO	Screen Type 16:9
Initial/All Settings	High Altitude Mode Off
	Reset Installation Settings
	Display
	Pattern Display
	Pattern Type

You see the guidance screen for Auto Screen Adjustment.

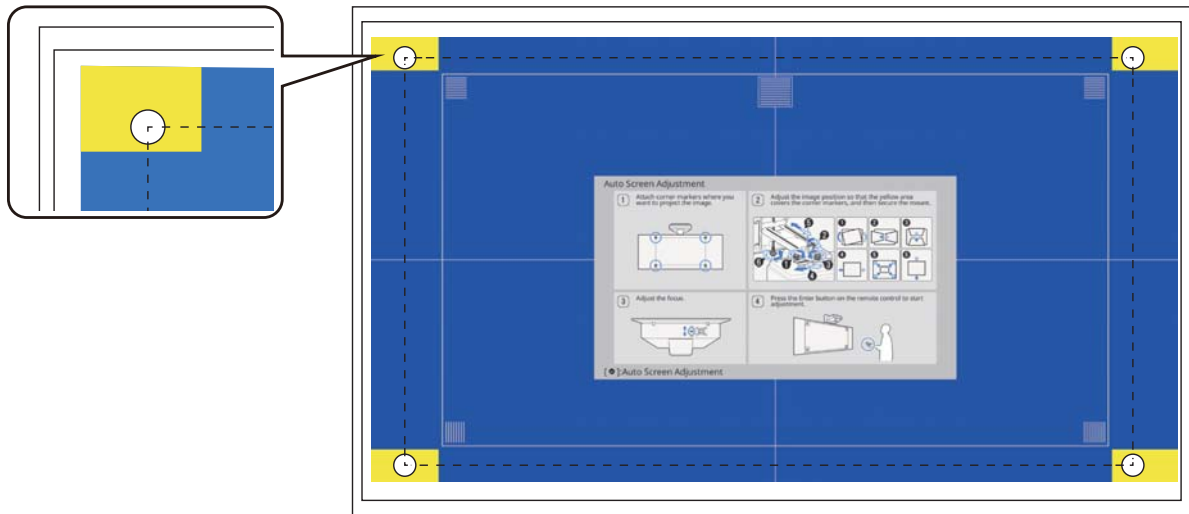
4

Loosen all of the adjustment dials and adjustment screws

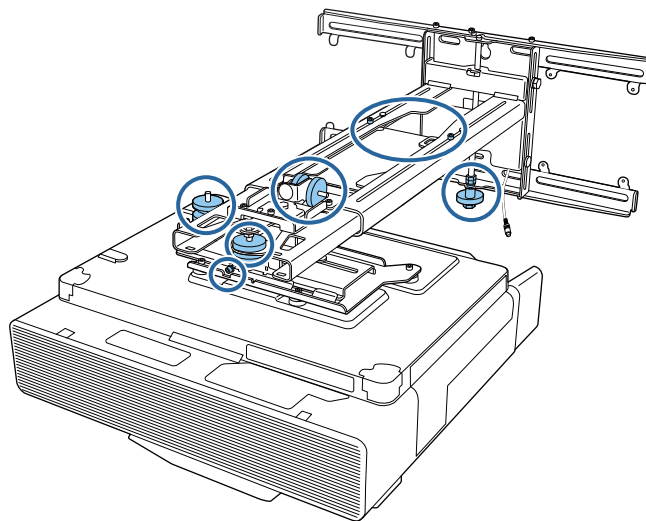


- 5 Move the projector to adjust the position of the image so that the yellow areas at the four corners of the guidance screen overlap with the corner markers

Make sure that all of the corner markers are within the yellow areas.



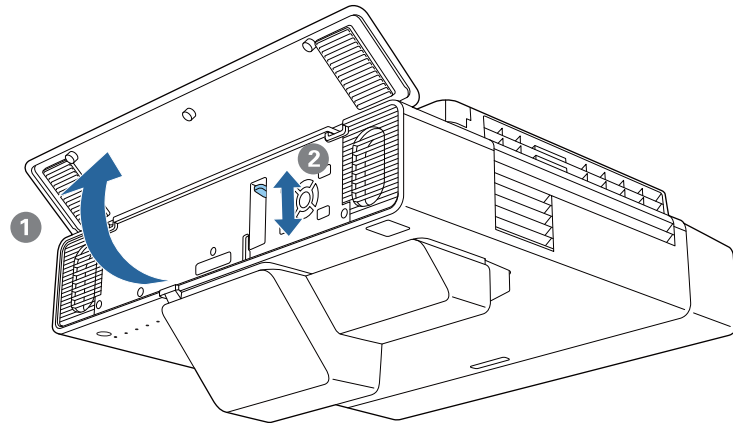
- 6 When you determine the position, tighten all of the adjustment dials and adjustment screws that you loosened in step 4



Warning

Tighten all bolts and screws firmly. Otherwise, the product may fall and cause personal injury or property damage.

7 Open the projector's front cover, and then adjust the focus using the focus lever



8 Press the [Enter] button to start auto adjustment

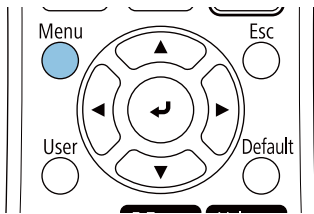
When auto adjustment is complete, use Quick Corner (p.63) to make further adjustments. Using Arc Correction or Point Correction returns the image to the status before auto correction was performed.

Performing mechanical adjustment using the Setting Plate Installation Guide

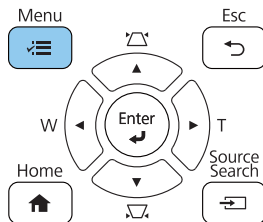
Use the guidance screen to adjust the position of the image.

1 Press the [Menu] button

Using the Remote Control



Using the Control Panel

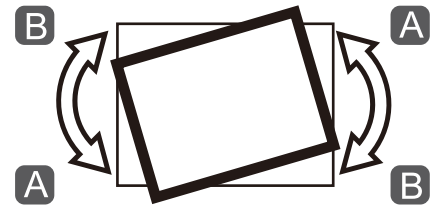
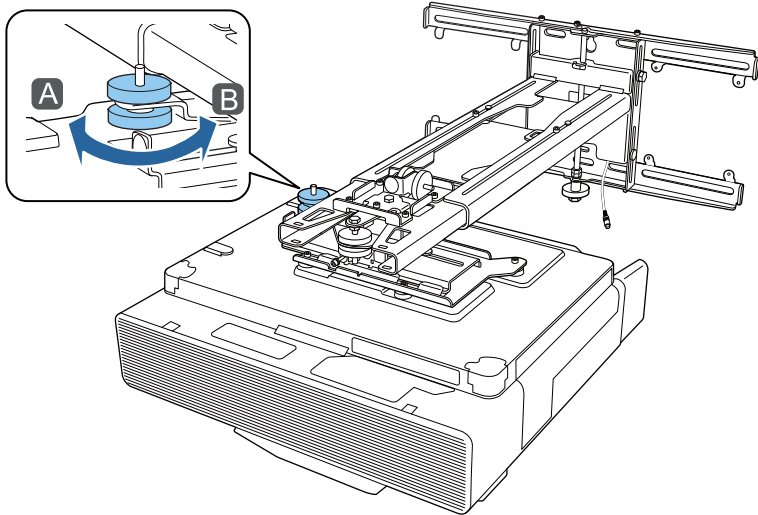


2 Select **Setting Plate Installation Guide** from the **Installation** menu

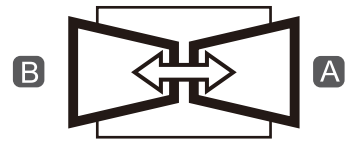
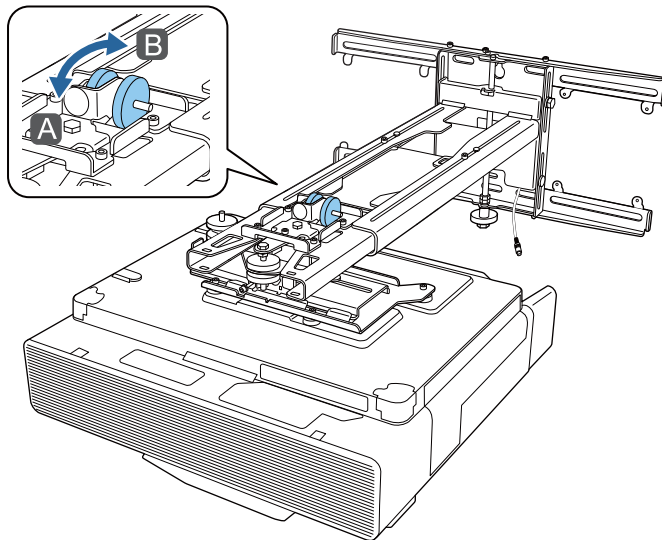
Frequently Used Items	Installation	
Image	Fixed Installation	Off
Signal I/O	Test Pattern	
Installation	Setting Plate Installation Guide	
Display	Vertical Installation	No
Operation	Projection	Front/Upside Down
Management	Auto Screen Adjustment	
Network	Geometry Correction	Point Correction
Pen/Touch	Digital Zoom	▼
Interactive	Connect ELPCB02	Off
Multi-Projection	Touch Unit	
Memory	Remote Receiver	Off
ECO	Screen Type	16:9 ▼
Initial/All Settings	High Altitude Mode	Off
	Reset Installation Settings	
	Display	
	Pattern Display	
	Pattern Type	

You see the guidance screen.

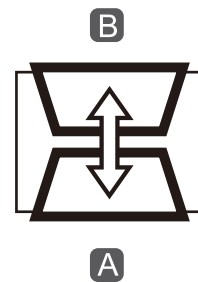
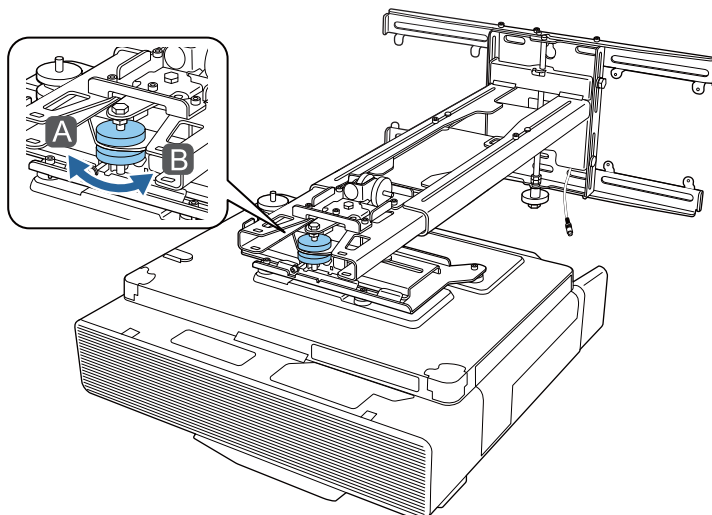
3 Turn the adjustment dial ① to adjust the horizontal roll



4 Loosen the M4 screw, and then turn the adjustment dial ② to adjust the horizontal rotation

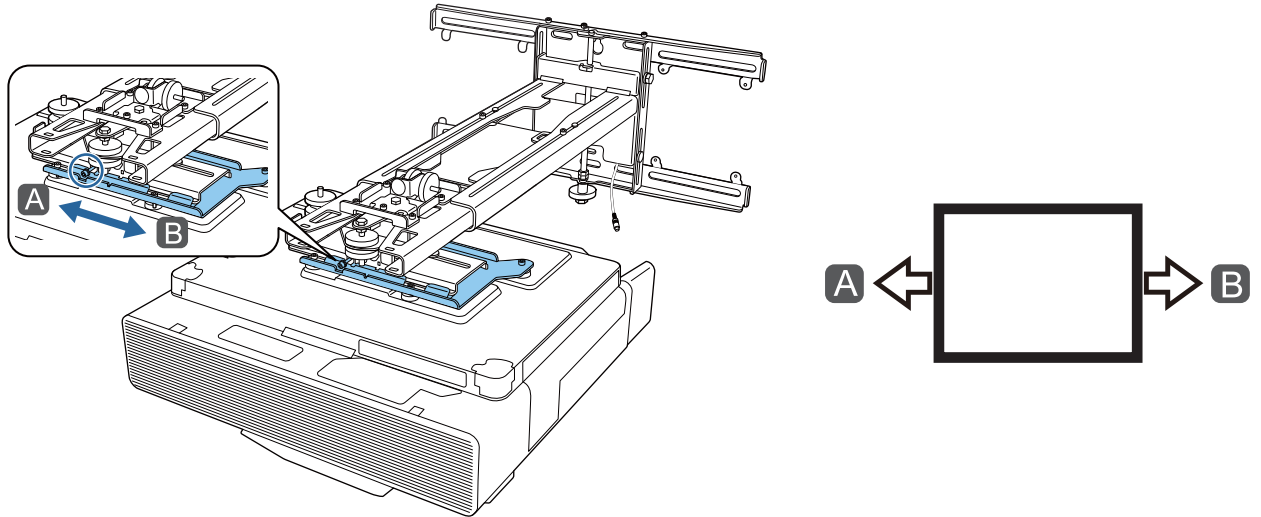


5 Turn the adjustment dial ③ to adjust the vertical tilt



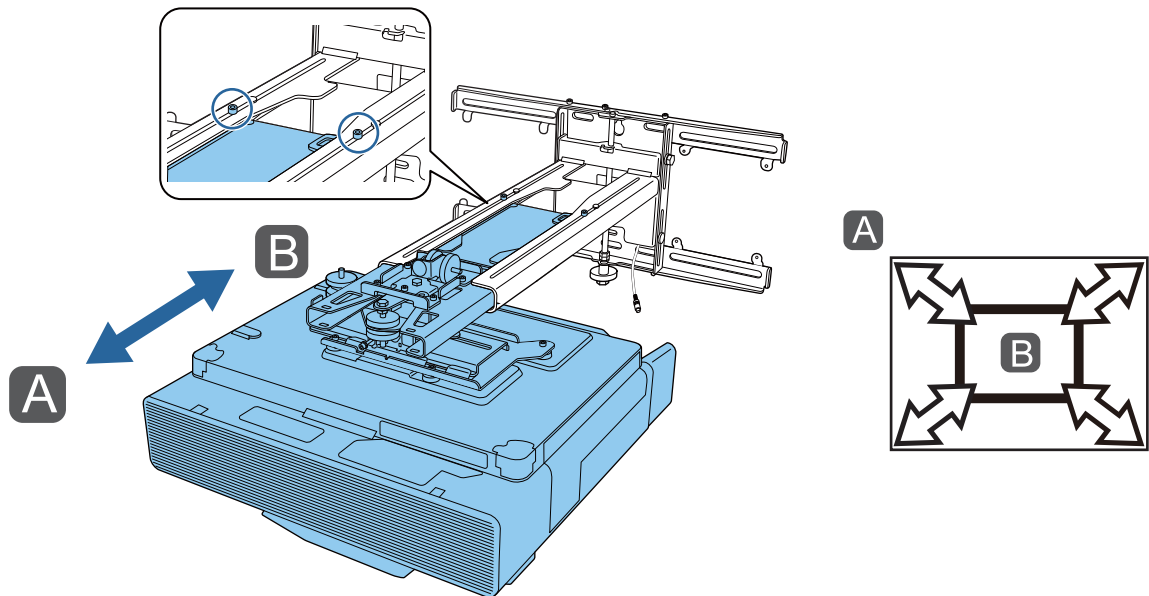
6

Loosen the M4 bolt, and then adjust the horizontal slide

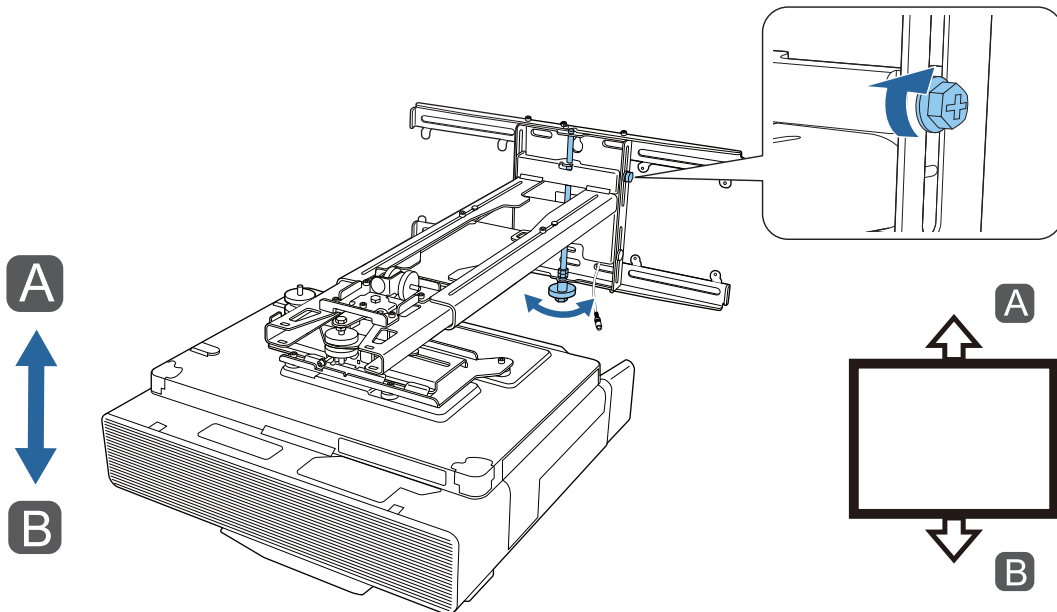


7

Loosen the M4 bolts (x2), and then adjust the forward/backward slide



8 Loosen the M6 bolt, and then adjust the vertical slide

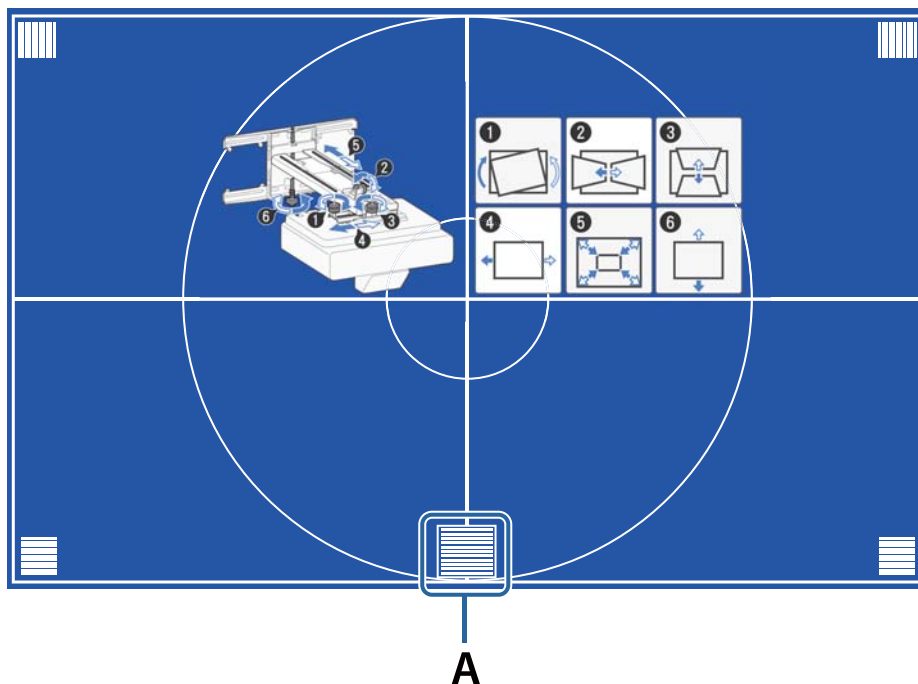


9 Re-tighten the screws and bolts that you loosened in steps 3 to 8

 **Warning**

Tighten all bolts and screws firmly. Otherwise, the product may fall and cause personal injury or property damage.

10 Adjust the focus of position A in the following figure



11 When you have finished making adjustments, press the [Esc] button on the remote control or the control panel to exit the guidance screen

Adjusting using the projector menus



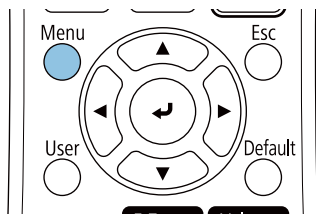
- You can save adjusted values in **Memory** from the **Geometry Correction** menu.
- Before performing the adjustment, set the Screen Type setting first. If you change the Screen Type after making corrections, the corrections will be reset.

Arc Correction

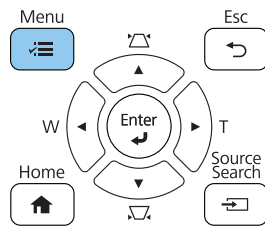
1

Press the [Menu] button

Using the Remote Control



Using the Control Panel



2

Select **Geometry Correction** from the **Installation** menu

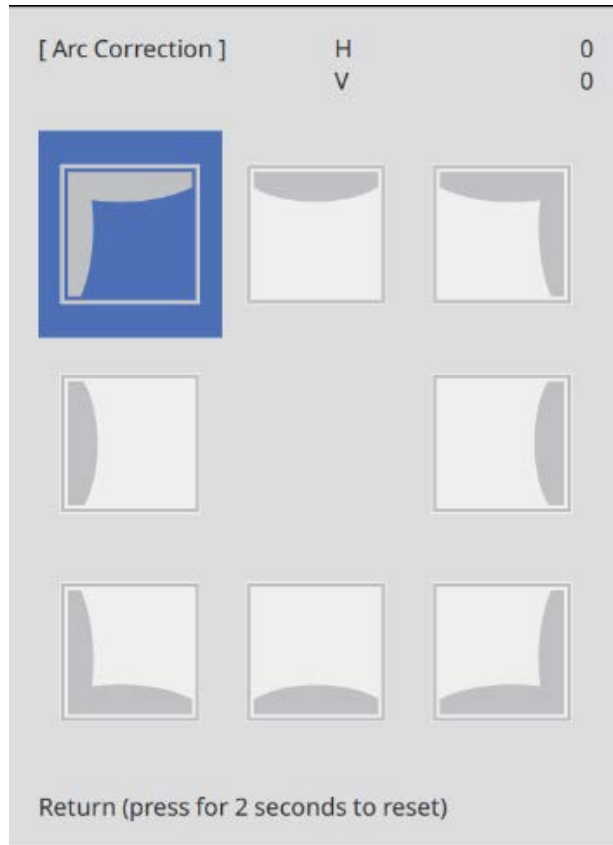
Frequently Used Items	Installation
Image	Fixed Installation Off
Signal I/O	Test Pattern
Installation	Setting Plate Installation Guide
Display	Vertical Installation No
Operation	Projection Front/Upside Down
Management	Auto Screen Adjustment
Network	Geometry Correction Point Correction
Pen/Touch	Digital Zoom
Interactive	Connect ELPCB02 Off
Multi-Projection	Touch Unit
Memory	Remote Receiver Off
ECO	Screen Type 16:9
Initial/All Settings	High Altitude Mode Off
	Reset Installation Settings
	Display
	Pattern Display
	Pattern Type

3

Select **Arc Correction**

[Geometry Correction]	Return
H/V-Keystone	
Quick Corner	
✓ Arc Correction	
Point Correction	
Memory	

4 Select the side you want to correct and make adjustment

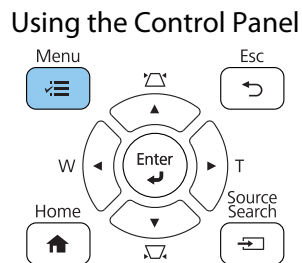
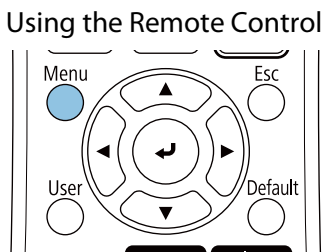


When you reach a range that cannot be adjusted, you see the message **Cannot adjust any further.** displayed.

5 When you have finished making adjustments, press the [Esc] button on the remote control or the control panel to finish adjustment

Quick Corner

1 Press the [Menu] button



2

Select **Geometry Correction** from the **Installation** menu

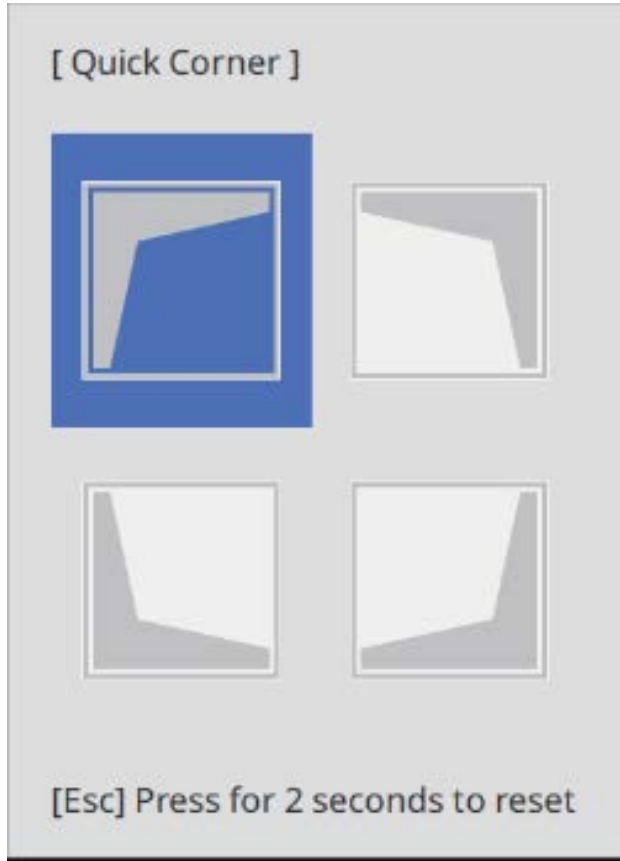
Frequently Used Items	Installation
Image	Fixed Installation Off
Signal I/O	Test Pattern
Installation	Setting Plate Installation Guide
Display	Vertical Installation No
Operation	Projection Front/Upside Down
Management	Auto Screen Adjustment
Network	Geometry Correction Point Correction
Pen/Touch	Digital Zoom
Interactive	Connect ELPCB02 Off
Multi-Projection	Touch Unit
Memory	Remote Receiver Off
ECO	Screen Type 16:9
Initial/All Settings	High Altitude Mode Off
	Reset Installation Settings
	Display
	Pattern Display
	Pattern Type

3


Select **Quick Corner**

[Geometry Correction]	Return
H/V-Keystone	
✓ Quick Corner	
Arc Correction	
Point Correction	
Memory	

4 Select the side you want to correct and make adjustment



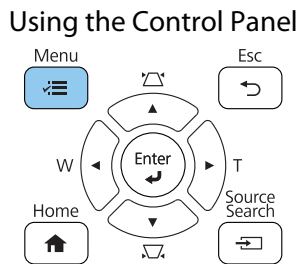
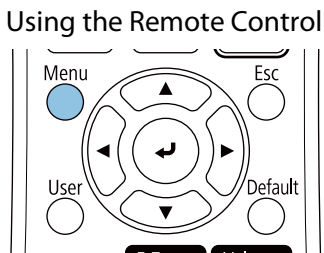
When you reach a range that cannot be adjusted, you see the message **Cannot adjust any further.** displayed.

 While adjusting the sides, press buttons [1], [3], [7], and [9] on the remote control to select the side you want to adjust.

5 When you have finished making adjustments, press the [Esc] button on the remote control or the control panel to finish adjustment

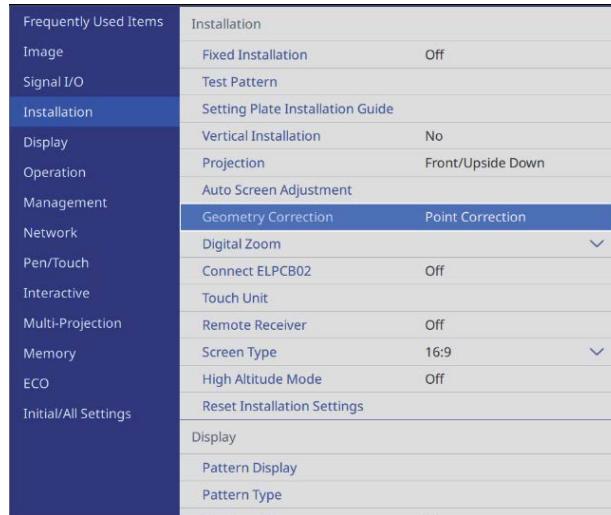
Point Correction

1 Press the [Menu] button



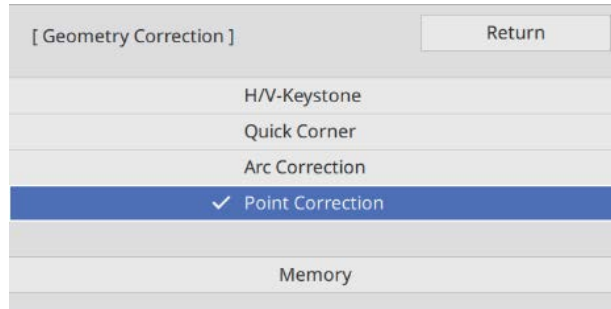
2

Select **Geometry Correction** from the **Installation** menu



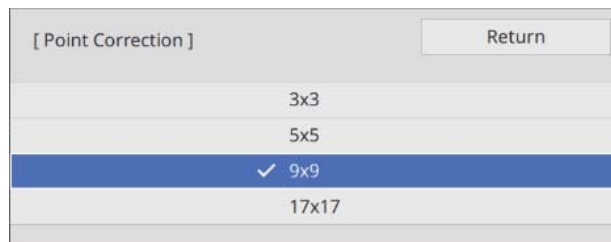
3

Select **Point Correction**



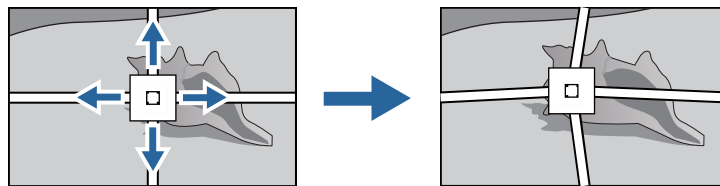
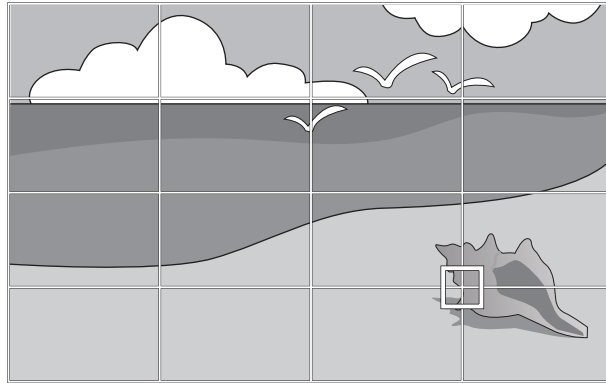
4

Select **Point Correction** and then select the number of grid



5

Select the points you want to correct and make adjustment



If it is hard to see the grid, use **Pattern Color** to change the color of the grid.

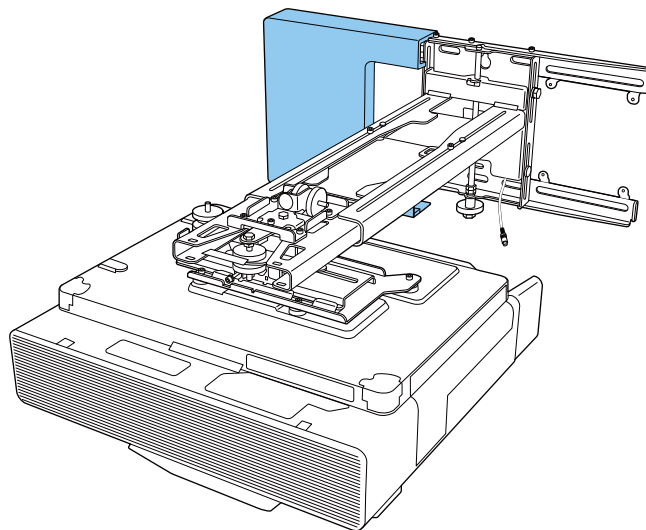
6

When you have finished making adjustments, press the [Esc] button on the remote control or the control panel to finish adjustment

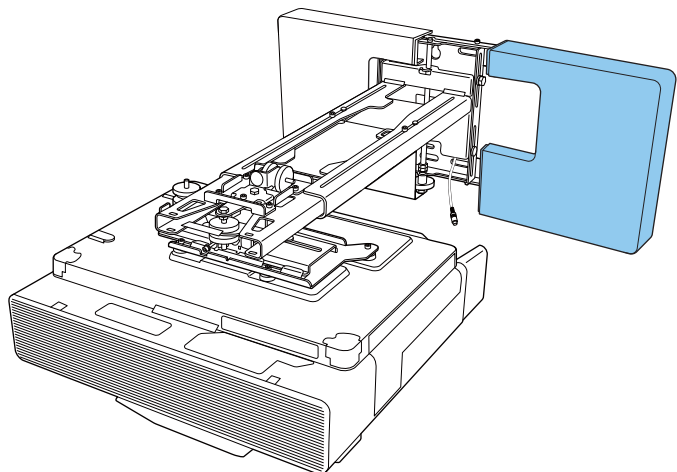
Attaching the covers

1

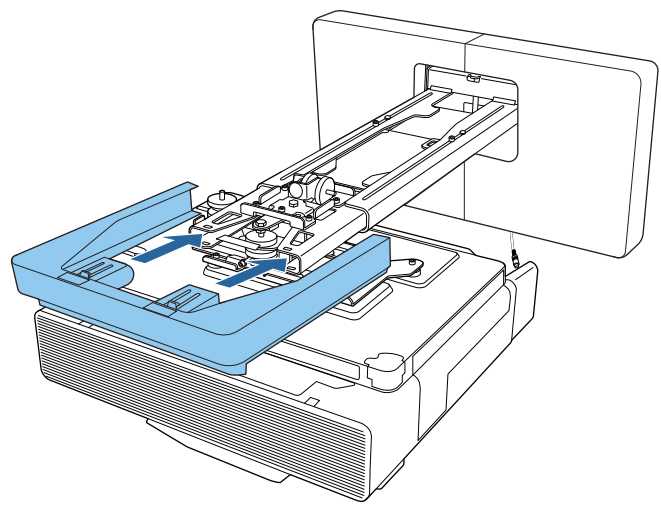
Attach the left wall plate cover




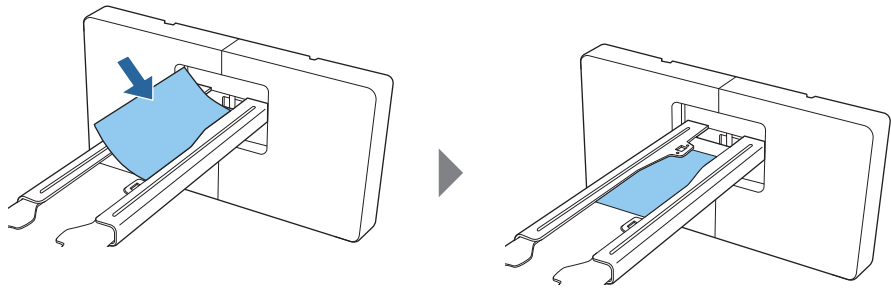
2 Attach the right wall plate cover



3 Fit the end cap to the setting plate

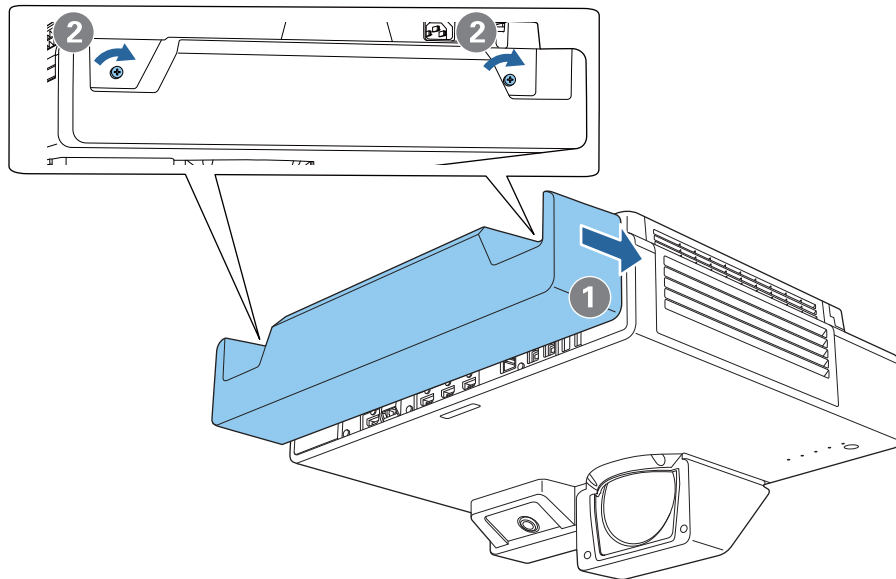


 If you are concerned about the groove in the arm, stick the supplied masking sticker.

A two-part diagram showing the application of a masking sticker. The left part shows a blue sticker being placed into a groove on the carriage arm, with a blue arrow pointing to the sticker. The right part shows the sticker fully seated in the groove. A grey arrow points from the left part to the right part.

4

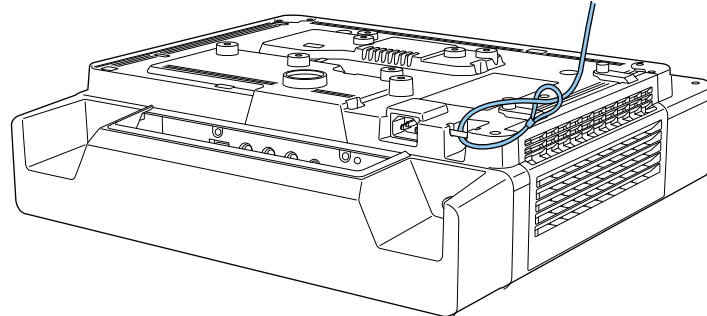
Attach the cable cover to the projector, and then secure it with the screws (x2)



Attaching a Security Cable

Perform one of the following security measures if necessary.

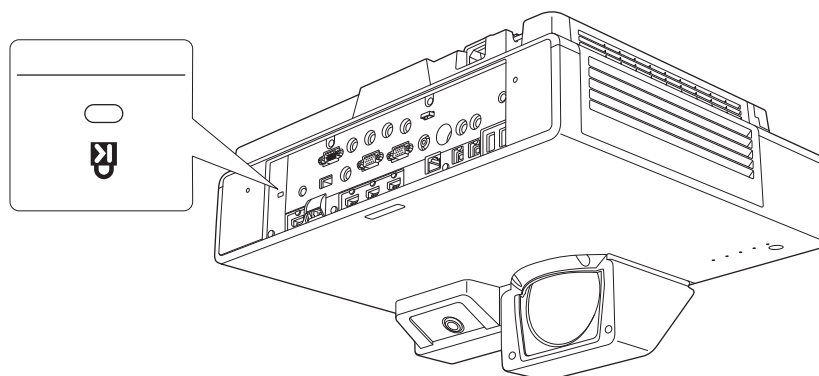
- Install a commercially available theft-prevention wire lock
Pass the wire lock through the security cable installation points on the projector and the setting plate.



- Install a security wire from Kensington

The security slot on this product is compatible with the Microsaver Security System manufactured by Kensington. See the following for more details on the Microsaver Security System.

<http://www.kensington.com/>



Batch Setup Function

After making the projector's menu settings for one projector, you can copy the settings to other projectors (batch setup function). The batch setup function is only for projectors with the same model number.

Use one of the following methods.

- Setup using a USB flash drive.
- Setup by connecting the computer and projector with a USB cable.
- Make settings using Epson Projector Management.

This guide explains the USB flash drive and the USB cable methods.

For details on making settings using Epson Projector Management, see the *Epson Projector Management Operation Guide*.



- You can set the content you want to apply using the batch setting function in **Batch Setup Range** from the **Management** menu.
 - Set to **Any Button** to apply all setting items.
 - Set to **Limited** to apply all settings other than the **Network** menu (except for **Mail Notification** and **Projector Control**).
 - Perform batch setup before adjusting the position of the projectors. The batch setup function copies adjustment values for the projected image such as Geometry Correction. If batch setup is performed after adjusting the position of the projectors, the adjustments you made may change.
 - By using the batch setup function, the registered User's Logo is copied to the other projectors. Do not register confidential information as the User's Logo.



Caution

Performing batch setup is the customers responsibility. If batch setup fails due to an accident such as a power failure, communication error, the customer is responsible for any repair costs incurred.

Setup Using a USB flash drive

This section explains how to perform batch setup using a USB flash drive.



- Use a FAT format USB flash drive.
- The batch setup function cannot be used by USB flash drives that incorporate security functions. Use a USB flash drive that does not incorporate security functions.
- The batch setup function cannot be used by USB card readers or USB hard disks.

Saving settings to the USB flash drive

1

Disconnect the power cord from the projector, and check that all of the projector's indicators have turned off

2

Connect the USB flash drive to the projector's USB-A port



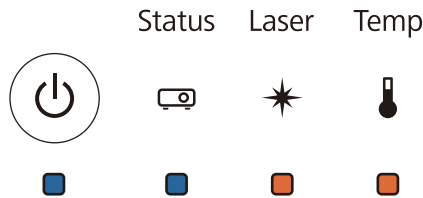
- Connect the USB flash drive directly to the projector. If the USB flash drive is connected to the projector through a USB hub, the settings may not be saved correctly.
- Connect an empty USB flash drive. If the USB flash drive contains data other than the batch setup file, the settings may not be saved correctly.
- The file name for the batch setup file is PJCONFDATA.bin. If you need to change the file name, add text after PJCONFDATA. If you change the PJCONFDATA section of the file name, the projector may not be able to recognize the file correctly.
- You can only use single-byte characters for the file name.

3

While holding down the [Esc] button on the remote control or the control panel, connect the power cord to the projector

The Power indicator and the Status indicator turn blue, and the Laser indicator and the Temp indicator turn orange.

When all of the projector's indicators turn on, release the [Esc] button.



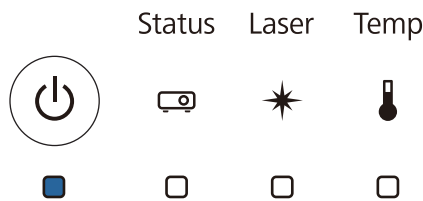
When all of the indicators start flashing, the batch setup file is being written.



Caution

- Do not disconnect the power cord from the projector while the file is being written. If the power cord is disconnected, the projector may not start correctly.
- Do not disconnect the USB flash drive from the projector while the file is being written. If the USB flash drive is disconnected, the projector may not start correctly.

When writing completes normally, the projector turns off, and only the Power indicator is lit blue.




When the power turns off, remove the USB flash drive.

Copying saved settings to other projectors

1

Disconnect the power cord from the projector, and check that all of the projector's indicators have turned off

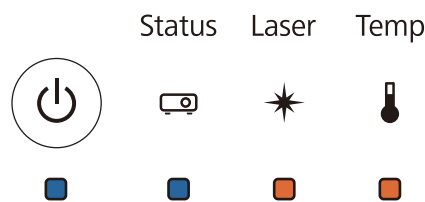
2 Connect the USB flash drive containing the saved batch setup file to the projector's USB-A port

 Do not store any data except for the batch setup file on the USB flash drive. If the USB flash drive contains data other than the batch setup file, the settings may not be copied correctly.


3 While holding down the [Menu] button on the remote control or the control panel, connect the power cord to the projector

The Power indicator and the Status indicator turn blue, and the Laser indicator and the Temp indicator turn orange.

When all of the projector's indicators turn on, release the [Menu] button. The indicators turn on for approximately 75 seconds.

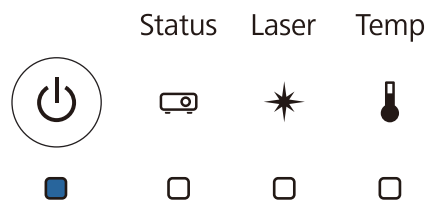


When all of the indicators start flashing, the settings are being written.

 **Caution**


- Do not disconnect the power cord from the projector while the settings are being written. If the power cord is disconnected, the projector may not start correctly.
- Do not disconnect the USB flash drive from the projector while the settings are being written. If the USB flash drive is disconnected, the projector may not start correctly.

When writing completes normally, the projector turns off, and only the Power indicator is lit blue.



When the power turns off, remove the USB flash drive.

Setup by Connecting the Computer and Projector with a USB Cable

 The following operating systems support the batch setup function.

- Windows 7 and later
- OS X 10.11 and later

■ Saving settings to a computer

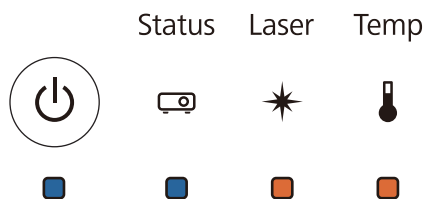
1 Disconnect the power cord from the projector, and check that all of the projector's indicators have turned off

2 Connect the computer's USB port to the projector's USB-B port with a USB cable

3 While holding down the [Esc] button on the remote control or the control panel, connect the power cord to the projector


The Power indicator and the Status indicator turn blue, and the Laser indicator and the Temp indicator turn orange.

When all of the projector's indicators turn on, release the [Esc] button.




The projector is recognized as a removable disk by the computer.

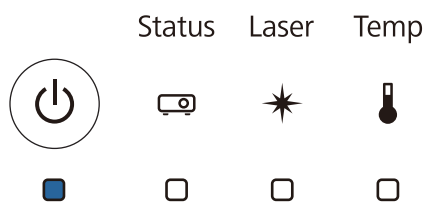
4 Open the removable disk, and save the batch setup file (PJCONFDATA.bin) to the computer

 If you need to change the name of the batch setup file, add text after PJCONFDATA. If you change the PJCONFDATA section of the file name, the projector may not be able to recognize the file correctly. You can only use single-byte characters for the file name.

5 Perform "Remove USB device" on your computer, and then disconnect the USB cable

 When using a Mac, perform "Remove EPSON_PJ".

The projector turns off and only the Power indicator is lit blue.



Copying saved settings to other projectors

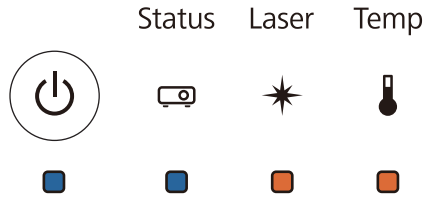
1 Disconnect the power cord from the projector, and check that all of the projector's indicators have turned off

2 Connect the computer's USB port to the projector's USB-B port with a USB cable

- 3 While holding down the [Menu] button on the remote control or the control panel, connect the power cord to the projector

The Power indicator and the Status indicator turn blue, and the Laser indicator and the Temp indicator turn orange.

When all of the projector's indicators turn on, release the [Menu] button.



The projector is recognized as a removable disk by the computer.

- 4 Copy the batch setup file (PJCONFDATA.bin) that you saved to your computer to the top-level folder of the removable disk



Do not copy any files or folders other than the batch setup file to the removable disk.

- 5 Perform "Remove USB device" on your computer, and then disconnect the USB cable



When using a Mac, perform "Remove EPSON_PJ".

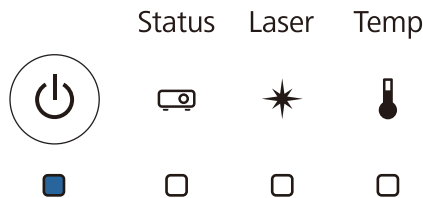
When all of the indicators start flashing, the settings are being written.




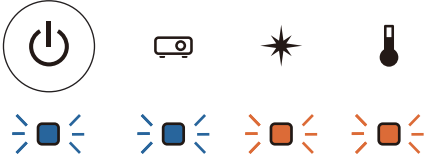
Caution

Do not disconnect the power cord from the projector while the settings are being written. If the power cord is disconnected, the projector may not start correctly.

When writing completes normally, the projector turns off, and only the Power indicator is lit blue.

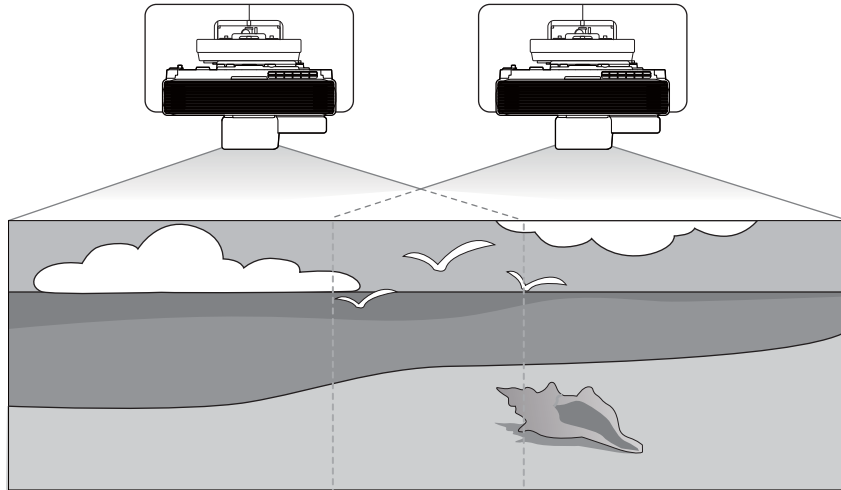


When Setup Fails

Check	Remedy
<p>Are the Laser and the Temp indicators flashing orange quickly?</p> <p style="text-align: center;">Status Laser Temp</p> 	<p>The batch setup file may be corrupt, or the USB flash drive or USB cable may not be connected correctly. Disconnect the USB flash drive or the USB cable, unplug and then plug in the projector's power cord, and then try again.</p>
<p>Are the Power and the Status indicators blue, and the Laser and the Temp indicators flashing orange quickly?</p> <p style="text-align: center;">Status Laser Temp</p> 	<p>Writing the settings may have failed and an error may have occurred in the projector's firmware. Stop using the projector, remove the power plug from the electrical outlet, and contact Epson for help.</p>

Installing Multiple Projectors (Multi-Projection)

You can create one horizontally long screen as a unified image projected from multiple projectors.



See "Connecting Multiple Projectors" [p.14](#) for details on the connection method for Multi-Projection. When you have finished connecting cables, you need to make the following settings.

- Setting the Projector ID (☞ [p.76](#))
- Multi-Projection Connection Settings (☞ [p.78](#))
- HDMI Link settings (☞ [p.81](#))
- Multi-Projection Image Adjustment (☞ [p.82](#))
- Projector Sync. Settings (only when using interactive functions) (☞ [p.83](#))
- EDID settings (only when using the interactive functions) (☞ [p.84](#))

When using interactive features in Multi-Projection, perform the following after making the settings above.

- Calibrate the Interactive Pen (☞ [p.98](#))
- Install the Touch Unit (☞ [p.102](#))



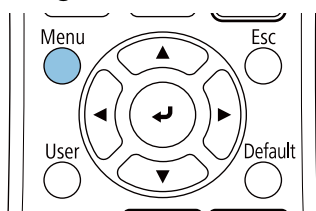
When setting Multi-Projection, we recommend setting **Operation > Sleep Mode** to **Off** from the projector's Menu.

Setting the Projector ID

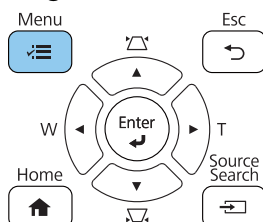
1

Turn on the projector, and then press the [Menu] button

Using the Remote Control

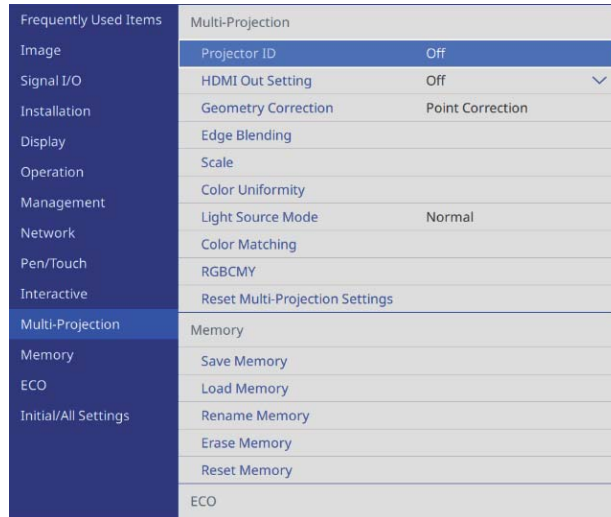


Using the Control Panel



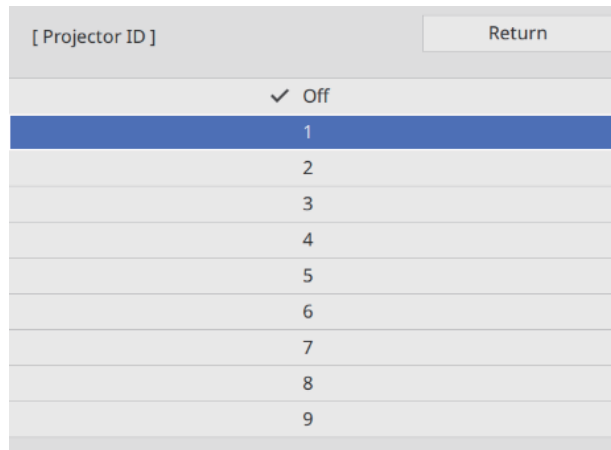
2

Select **Projector ID** from the **Multi-Projection** menu



3

Select the ID number for the projector

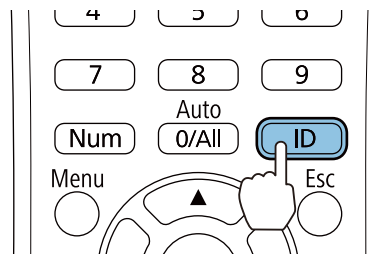


4

Press the [Esc] button to close the menu
Repeat steps 1 to 4 for the remaining projectors.

5

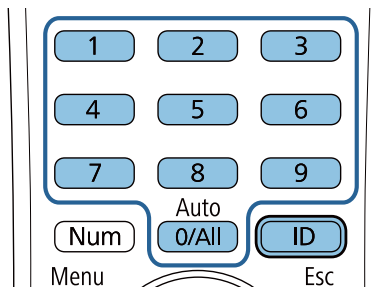
Point the remote control at the projector you want to operate, and then press the [ID] button



The current ID number is displayed on the projection screen.

6

While holding down the [ID] button, press the button with the same number as the projector ID for the projector you want to operate



Remote control operations for the projector with the selected ID are enabled.



- When **Projector ID** is set to **Off**, you can operate the projector using the remote control regardless of the ID setting selected using the remote control.
- When the remote control ID is set to 0, you can operate all of the projectors regardless of the projector ID setting.
- Operating multiple remote controls at the same time can cause accidental operations due to infrared interference.

Multi-Projection Connection Settings

Make the following settings on all connected projectors. The settings differ depending on whether or not you use the interactive functions.

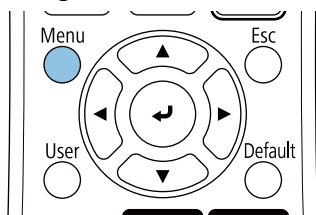
- When using the interactive functions ([p.78](#))
- When not using the interactive functions ([p.80](#))

■ When using the interactive functions

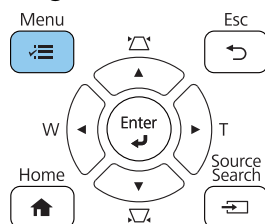
1

Press the projector's [Menu] button

Using the Remote Control

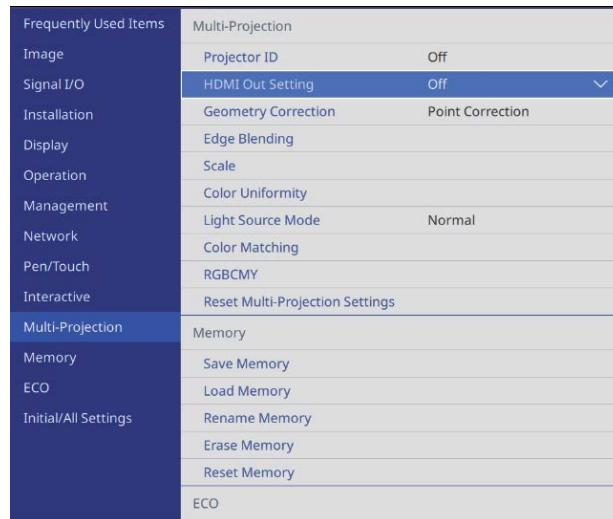


Using the Control Panel



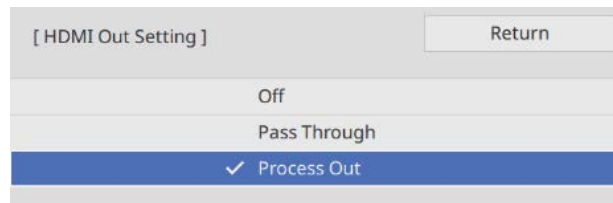
2

Select **HDMI Out Setting** from the **Multi-Projection** menu



3

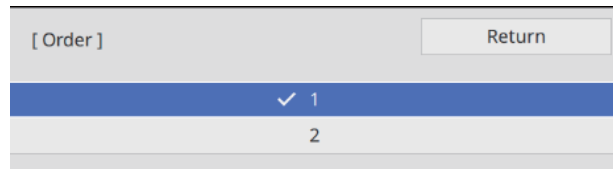
Select **Process Out**



4

Set the order

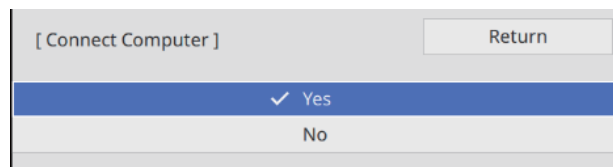
Set the projector on the left to **1** and the projector on the right to **2**.



5

Set **Connect Computer**

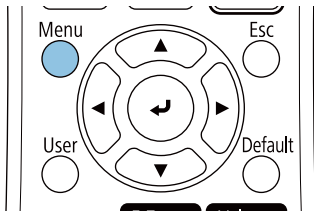
Set to **Yes** for the projector connected to the computer. If no computer is connected to the projector, set to **No**.



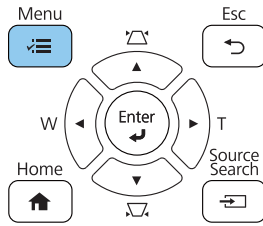
■ When not using the interactive functions

1 Press the [Menu] button

Using the Remote Control



Using the Control Panel



2 Select **HDMI Out Setting** from the **Multi-Projection** menu

Frequently Used Items	Multi-Projection
Image	Projector ID Off
Signal I/O	HDMI Out Setting Off
Installation	Geometry Correction Point Correction
Display	Edge Blending
Operation	Scale
Management	Color Uniformity
Network	Light Source Mode Normal
Pen/Touch	Color Matching
Interactive	RGBCMY
Multi-Projection	Reset Multi-Projection Settings
Memory	Memory
ECO	Save Memory
Initial/All Settings	Load Memory
	Rename Memory
	Erase Memory
	Reset Memory
	ECO

3 Select **Pass Through**

[HDMI Out Setting]	Return
Off	
✓ Pass Through	
Process Out	

4 Set the **Number of Projectors**

Set the number of connected projectors.

[Number of Projectors]	Return
✓ 2	
3	
4	

5 Set the order

Set the projector position for the projector on the far left to **1**.

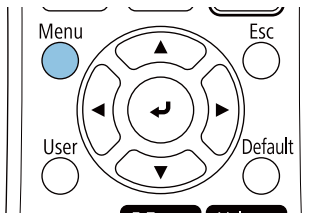
[Order]	Return
✓ 1	
2	
3	
4	

HDMI Link settings

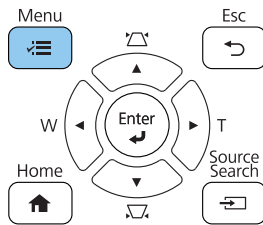
Use HDMI Link to link the power on/off function across multiple projectors.

1 Press the [Menu] button

Using the Remote Control



Using the Control Panel



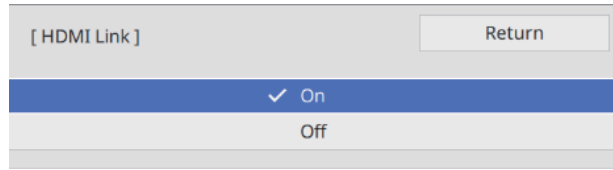
2 Select **HDMI Link** from the **Signal I/O**

Frequently Used Items	Signal I/O
Image	Volume
Signal I/O	Source Computer1
Installation	Signal Format
Display	Mic Input Level 50
Operation	Overscan Auto
Management	EDID 3240x1080/60Hz
Network	Reset to Defaults
Pen/Touch	A/V Output While Projecting
Interactive	Inverse Audio Off
Multi-Projection	Audio Output Auto
Memory	HDMI Audio Output
ECO	Monitor Out Port Monitor Out
Initial/All Settings	USB Display 0
	HDMI Link
	Reset Signal I/O Settings
	Installation
	Fixed Installation Off

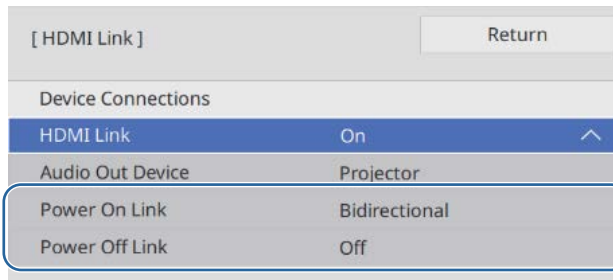
3 Select **HDMI Link**

[HDMI Link]	Return
HDMI Link	Off


4 Select **On**



5 Set **Power On Link** and **Power Off Link** according to the operations that you want to link

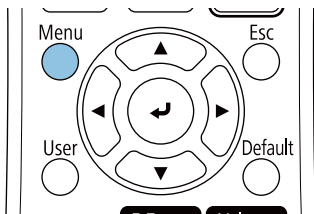


Adjusting the Image in Multi-Projection

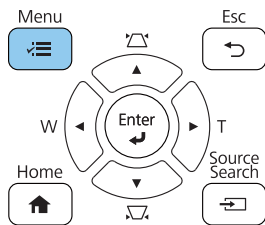
 Images are not stable immediately after turning on the projector. After starting projection, wait for at least 20 minutes before adjusting the image.

1 Turn on the projector, and then press the [Menu] button

Using the Remote Control



Using the Control Panel



2 Make necessary settings on the **Multi-Projection** menu

For details on making settings, see the projector's *User's Guide*.

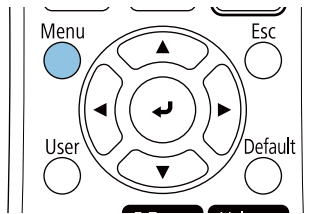
<p>Edge Blending</p> <p>Black Level</p>	<p>Adjust the image overlapping section to create a seamless image.</p> <p>(☛"Figures of Installation Dimensions" p.11)</p>
<p>Scale</p>	<p>Set the magnification and splicing position for the image.</p>
<p>Color Uniformity</p> <p>Color Matching</p> <p>RGBCMY</p>	<p>Adjust the color of the image for each projector so that the entire image looks uniform.</p>

Projector Sync. Settings (only when using interactive functions)

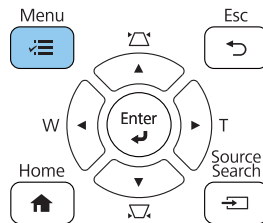
Connect the projectors in advance by using the remote control cable set (ELPKC28). For details, see "Connecting Multiple Projectors" p.14.

1 Press the [Menu] button

Using the Remote Control



Using the Control Panel



2 Select **Installation of Projectors** from the **Pen/Touch** menu

Frequently Used Items	Pen/Touch
Image	Auto Calibration
Signal I/O	Manual Calibration
Installation	Touch Unit
Display	Installation of Projectors
Operation	Pen Hovering On
Management	PC Interactivity
Network	Reset Pen/Touch Settings
Pen/Touch	Interactive
Interactive	Drawing Function On
Multi-Projection	Display Toolbars Always Show
Memory	Display Drawing Area
ECO	Confirm Clear Screen On
Initial/All Settings	Pen Button Function Eraser
	Display Clock Date & Time ^
	Date YYYY-MM-DD
	Time HH:MM
	Print

3 Select **Sync of Projectors**

[Installation of Projectors]	Return
Infrared Intensity	Normal
Sync of Projectors	Infrared

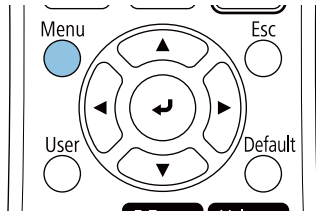
4 Select **Wired**

[Sync of Projectors]	Return
✓ Wired	
Infrared	
Wired/Infrared	

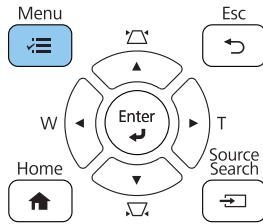
EDID settings (only when using interactive functions)

1 Press the [Menu] button

Using the Remote Control



Using the Control Panel















2 Select **EDID** from the **Signal I/O** menu











Frequently Used Items	Signal I/O	
Image	Volume	
Signal I/O	Source	Computer1
Installation	Signal Format	
Display	Mic Input Level	50
Operation	Overscan	Auto
Management	EDID	1920x1080/60Hz
Network	Reset to Defaults	
Pen/Touch	A/V Output	While Projecting
Interactive	Inverse Audio	Off
Multi-Projection	Audio Output	Auto
Memory	HDMI Audio Output	
ECO	Monitor Out Port	Monitor Out
Initial/All Settings	USB Display	0
	HDMI Link	
	Reset Signal I/O Settings	
	Installation	
	Fixed Installation	Off

3 Select **3240x1080/60Hz**

[EDID]	Return
3840x2160/30Hz	
✓ 3240x1080/60Hz	
1920x1200/60Hz	
1920x1080/60Hz	
1920x720/60Hz	
1920x810/60Hz	
1600x1200/60Hz	
1600x900/60Hz	
1440x900/60Hz	
1400x1050/60Hz	
1366x768/60Hz	
1280x1024/60Hz	
1280x800/60Hz	
1280x720/60Hz	
1024x768/60Hz	

Notes on the Control Pad

 Warning	
Only connect to the EB-1485Fi. Do not connect it to any other projectors or devices. Doing so may damage the device.	
Route the cables so that they are not interfered with the nuts and bolts. Incorrect handling of the cables may cause fire or electric shock.	
The power cable supplied is exclusively for the ELPHD02. Do not use it with other devices.	
Do not use a power cable that is damaged. Otherwise, it may cause fire or electric shock. If the power cable is damaged (if the core wire is exposed, the wire is broken, and so on), contact your local dealer or Epson repair center.	
When connecting the power cable to the control pad, only use the AC adapter that was supplied. Failure to do so may cause the product to malfunction, overheat, or emit smoke that could cause a fire or electric shock to occur.	
Do not use the AC adapter at a voltage other than the specified power supply voltage. Failure to do so may cause the product to malfunction, overheat, or emit smoke that could cause a fire or electric shock to occur.	
Do not pull on the AC adapter's cable or place heavy items on the cable. Do not modify the power cable. Otherwise, it may cause fire or electric shock.	
Do not apply strong force or shocks to the AC adapter such as stepping on it, dropping it, or striking it. This could cause damage. If the AC adapter is damaged, turn off the control pad, unplug the power plug from the power outlet, and contact your local dealer. Continuing to use the product while it is damaged could cause a fire or electric shock.	
Do not handle/operate the control pad, AC adapter, or power plug with wet hands. Failure to do so may cause a malfunction, a fire, or electric shock.	
Handle the power plug carefully. Incorrect handling may cause a malfunction or damage which could cause a fire or electric shock. Observe the following precautions when handling: <ul style="list-style-type: none"> • Do not use multi-socket adapters. • Do not plug in the plug when there is foreign material such as dust stuck to it. • Make sure the power plug is fully inserted. • Do not handle the power plug with wet hands. • When unplugging the power plug, always grip the plug itself and pull it out, do not pull on the power cable. 	
When moving the control pad, make sure you off the power, disconnect the AC adapter, and check that all the wiring has been disconnected.	

 Warning	
<p>If any of the following problems occur, immediately turn off the power and unplug the AC adapter and the power plug from the outlet. Next, contact your local dealer or the nearest Epson service call center.</p> <ul style="list-style-type: none"> • You notice smoke, strange odors, or strange sounds • Water or foreign material gets inside the control pad • The control pad was dropped or the case was damaged 	
<p>Do not spill tea, coffee, juice or any other drinks on the AC adapter, or expose it to pesticides. Failure to do so may cause a malfunction, a fire, or electric shock. If drinks or so on are spilled on the AC adapter, turn off the power, unplug the AC adapter from the power outlet, and contact your local dealer. Continuing to use it in this condition could cause a fire or an electric shock.</p>	
<p>Do not install the AC adapter in a confined location or cover it with a cloth and so on except for the AC adapter holder supplied. Otherwise, the AC adapter may become hot and cause burns or unexpected accidents.</p>	
<p>Do not wrap the power cable around the AC adapter. Failure to do so may cause it to disconnect or overheat.</p>	
<p>Do not disassemble or remodel the control pad.</p>	
<p>Before cleaning, make sure you unplug the AC adapter and the power plug from the power outlet and check that all of the wiring has been disconnected.</p>	
<p>If it is not cleaned for a long time, dust may accumulate and cause a fire or electric shock. Make sure you clean it regularly.</p>	
 Caution	
<p>Do not disassemble the Control Pad when disposing of it. Dispose according to your local or national laws and regulations.</p>	

In North America, interface cables that pass through walls require a flame resistant rating of CL2. Use interface cables that comply with NFPA70 regulations. Use at least two screws to attach to wood.

This product is also designed for IT power distribution system with phase-to-phase voltage 230V.

Supplier's DECLARATION of CONFORMITY

According to 47CFR, Part 2 and 15
Class B Personal Computers and Peripherals; and/or
CPU Boards and Power Supplies used with Class B Personal Computers

We: Epson America, Inc.
Located at: 3840 Kilroy Airport Way
Long Beach, CA 90806
Tel: 562-981-3840

Declare under sole responsibility that the product identified herein, complies with 47CFR Part 2 and 15 of the FCC rules as a Class B digital device. Each product marketed, is identical to the representative unit tested and found to be compliant with the standards. Records maintained continue to reflect the equipment being produced can be expected to be within the variation accepted, due to quantity production and testing on a statistical basis as required by 47CFR 2.906. Operation is subject to the following two conditions : (1) this device may not cause harmful interference, and (2) this device must accept any interference received, including interference that may cause undesired operation.

Trade Name: EPSON
Type of Product: HDBASET CONTROL BOX
Model: EAI destination: ELPHD02
Other destination: ---

**FCC Compliance Statement
For United States Users**

This device complies with part 15 of the FCC Rules. Operation is subject to the following two conditions: (1) This device may not cause harmful interference, and (2) this device must accept any interference received, including interference that may cause undesired operation.

This equipment has been tested and found to comply with the limits for a Class B digital device, pursuant to Part 15 of the FCC Rules. These limits are designed to provide reasonable protection against harmful interference in a residential installation. This equipment generates, uses, and can radiate radio frequency energy and, if not installed and used in accordance with the instructions, may cause interference to radio communications. However, there is no guarantee that interference will not occur in a particular installation. If this equipment does cause interference to radio and television reception, which can be determined by turning the equipment off and on, the user is encouraged to try to correct the interference by one or more of the following measures.

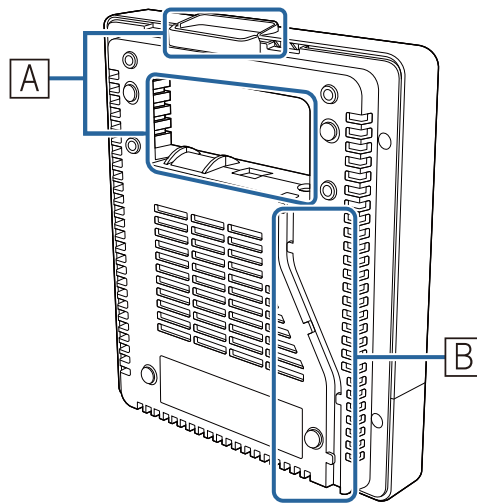
- Reorient or relocate the receiving antenna.
- Increase the separation between the equipment and receiver.
- Connect the equipment into an outlet on a circuit different from that to which the receiver is connected.
- Consult the dealer or an experienced radio/TV technician for help.

WARNING

The connection of a non-shielded equipment interface cable to this equipment will invalidate the FCC Certification or Declaration of this device and may cause interference levels which exceed the limits established by the FCC for this equipment. It is the responsibility of the user to obtain and use a shielded equipment interface cable with this device. If this equipment has more than one interface connector, do not leave cables connected to unused interfaces. Changes or modifications not expressly approved by the manufacturer could void the user's authority to operate the equipment.

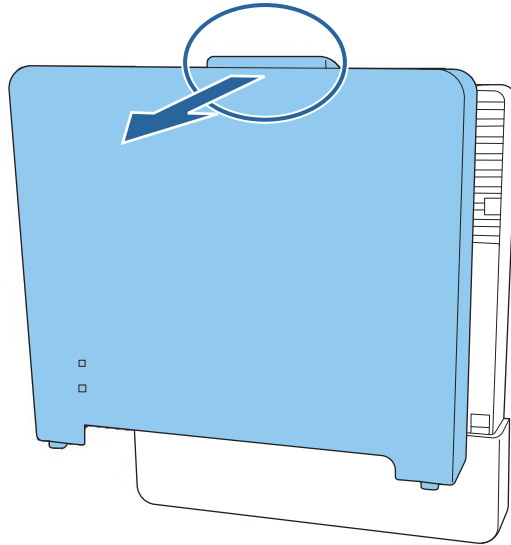
For Canadian Users

CAN ICES-3 (B) / NMB-3 (B)

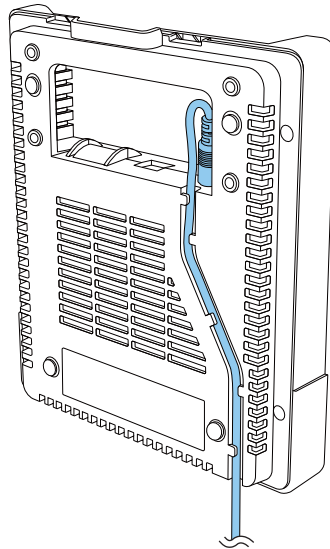


Installing the Control Pad

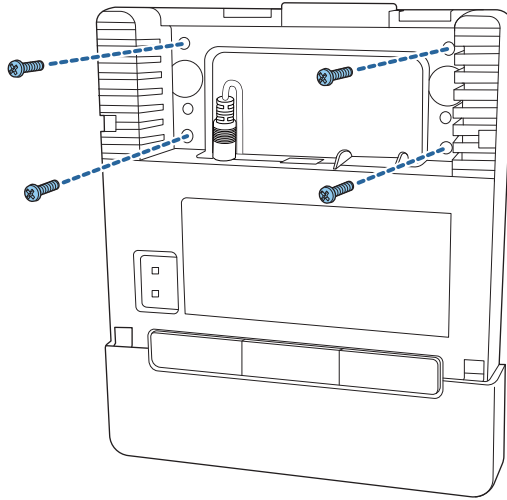
1 Place your finger in the hole at the top and remove the front cover.




2 Connect the power cable and route the cable down the back



- 3 Check the installation position and secure with commercially available M4 screws (20 mm x4)



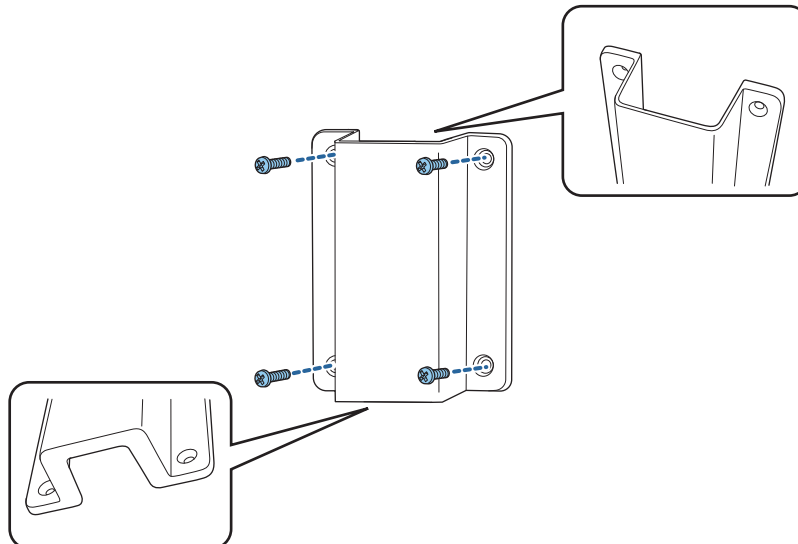
 **Warning**

- When screwing, make sure they are not tilted at an angle to the installation surface.
- Make sure that the Control Pad is secured properly.
- Do not use double-sided tape or magnets to secure the Control Pad.

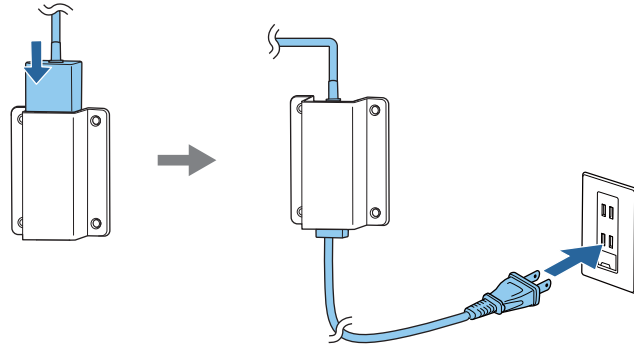


We recommend checking the operation of the Control Pad before securing with screws.

- 4 Secure the AC adapter to the wall using M4 screws (x4)

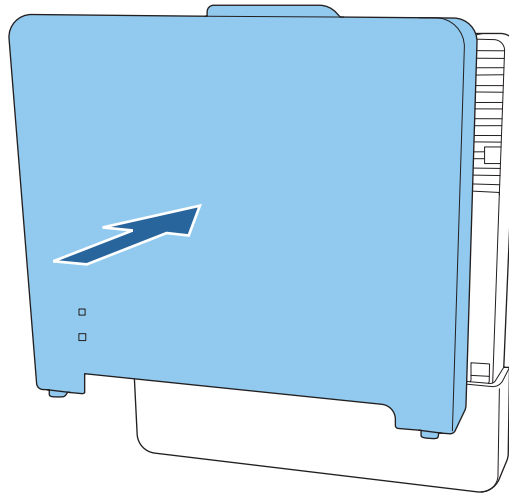


5 Place the AC adapter in the holder and connect it to the power supply








6 Connect the cable that is connected to the projector to the Control Pad
See "Connecting the Touch Unit and the Control Pad" [p.13](#) for details on connecting.

7 Attach the front cover



Notes on the Pen Stand

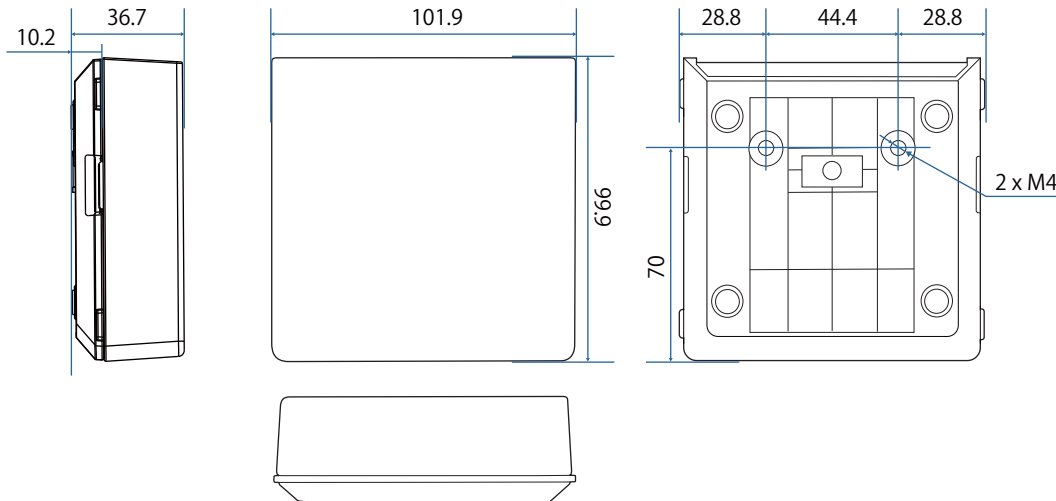
 Warning	
<p>Do not go near the pen stand if you are using medical equipment such as a pace maker. Furthermore, when using the pen stand, make sure there is no one using medical equipment such as a pace maker, in the surrounding area.</p> <p>A powerful magnet within the unit generates electromagnetic interference which may cause medical equipment to malfunction.</p>	
 Caution	
<p>Do not go near the pen stand with magnetic storage media such as magnetic cards, or precision electronic devices such as computers, digital watches, or mobile phones.</p> <p>A powerful magnet within the unit could corrupt data or cause a malfunction.</p>	
<p>The magnet on the back of the pen stand exerts a powerful magnetic attraction on the installation surface. When installing, be careful not to trap your fingers or any other part of your body between the magnets and the installation surface.</p>	

Pen Stand Specifications

Item	Specification
Pen stand mass	Approx. 93 g

External dimensions

[Unit: mm]

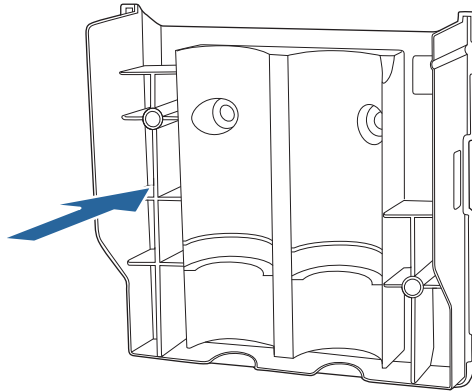



Installing the Pen Stand

Secure the pen stand with magnets or commercially available M4 screws.

When securing with magnets

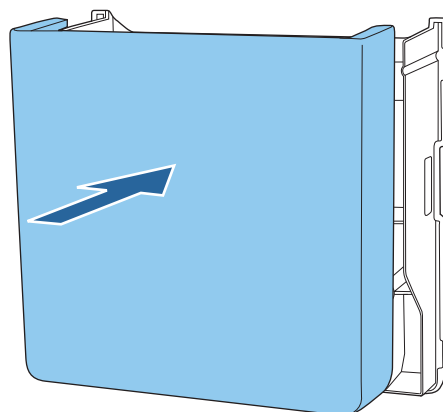
1 Check the installation position and secure with magnets



 **Caution**

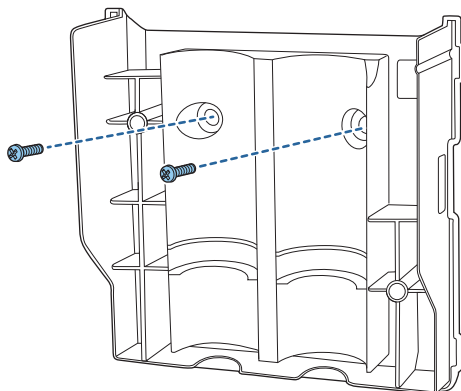
Powerful magnets are used which can cause injury if you trap your fingers. Be careful not to trap your fingers or any other part of your body between the magnets and the installation surface.

2 Attach the cover



When securing with screws

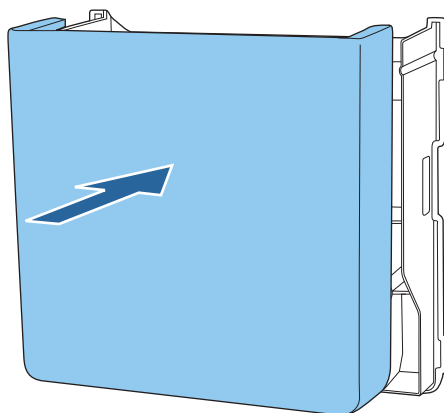
- 1 Check the installation position and secure with commercially available M4 screws (20 mm x2)



Warning

- When screwing, make sure they are not tilted at an angle to the installation surface.
- Make sure that the pen stand is secured properly.

- 2 Attach the cover



Calibrating the Interactive Pen

Adjust the projector’s image before calibrating the pen.

There are two methods available for calibrating the pen; **Auto Calibration** and **Manual Calibration**.

When calibrating the pen for the first time, perform **Manual Calibration** for optimum calibration.

When calibrating the pen for the second time and after, perform **Auto Calibration**. (p.100)

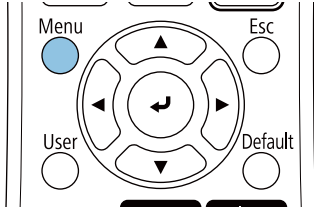


When the **Screen Type** is set to **16:6**, replace the soft pen tip with a hard pen tip.

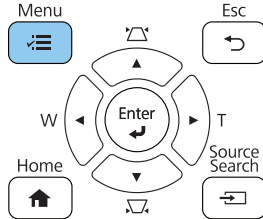
Manual Calibration

1 Turn on the projector, and then press the [Menu] button

Using the Remote Control



Using the Control Panel



2 Select **Manual Calibration** from the **Pen/Touch** menu.

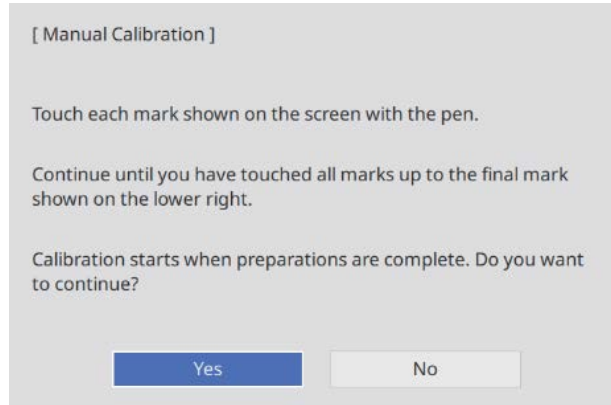
Frequently Used Items	Pen/Touch
Image	Auto Calibration
Signal I/O	Manual Calibration
Installation	Touch Unit
Display	Installation of Projectors
Operation	Pen Hovering On
Management	PC Interactivity
Network	Reset Pen/Touch Settings
Pen/Touch	Interactive
Interactive	Drawing Function On
Multi-Projection	Display Toolbars Always Show
Memory	Display Drawing Area
ECO	Confirm Clear Screen On
Initial/All Settings	Pen Button Function Eraser
	Display Clock Date & Time ^
	Date YYYY-MM-DD
	Time HH:MM
	Print



When multiple projectors are installed in parallel, you see a message prompting you to temporarily hide the image for the projector installed next to it. When you see this message, press the [A/V Mute] button to hide the image from the next projector.

3

Check the screen content, and then select **Yes**

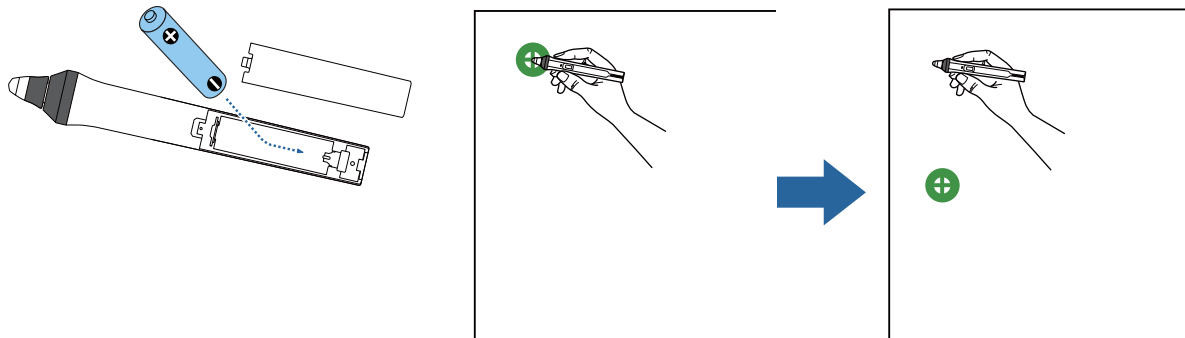


You see a green dot at the top left of the projection screen.

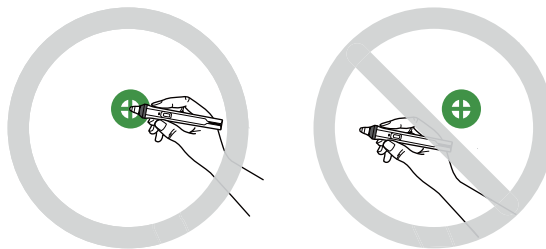
4

Touch the center of the dot with the pen tip of the interactive pen

The dot disappears and moves to the next position.



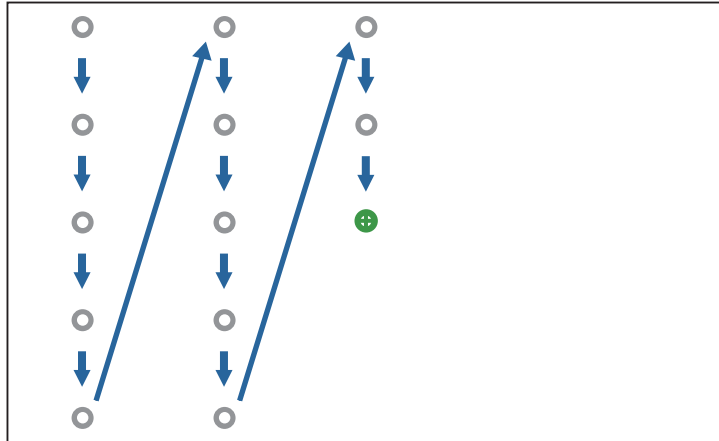
Make sure you touch the center of the dot. Otherwise, it may not be positioned correctly.



5

Repeat step 4 until all of the dots disappear

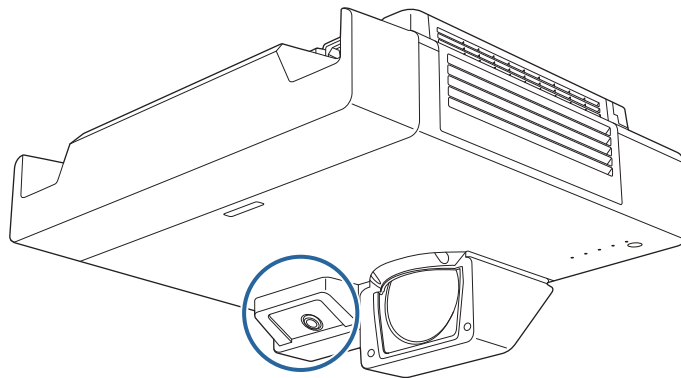
The dot appears at the top left first and then moves towards the bottom right.



When all of the dots disappear, Manual Calibration is complete.



- Check that there are no obstacles between the interactive pen and the Interactive pen receiver (shown below).



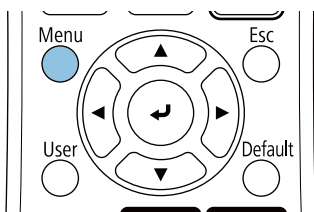
- If you touch the wrong position, press the [Esc] button on the remote control to return to the previous dot.
- To cancel calibration, hold down the [Esc] button for two seconds.

Auto Calibration

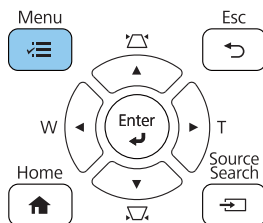
1

Turn on the projector, and then press the [Menu] button

Using the Remote Control

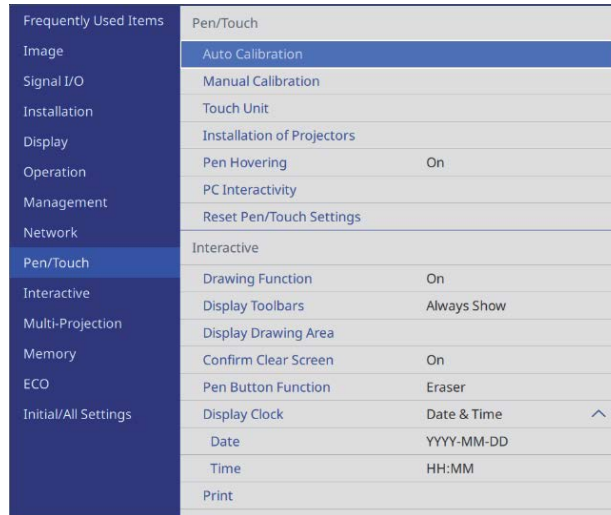


Using the Control Panel



2

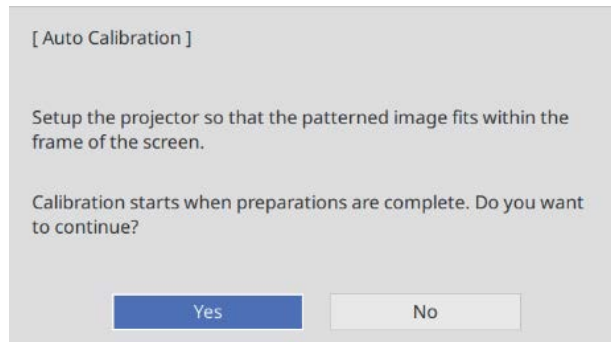
Select **Auto Calibration** from the **Pen/Touch** menu



When multiple projectors are installed in parallel, you see a message prompting you to temporarily hide the image for the projector installed next to it. When you see this message, press the [A/V Mute] button to hide the image from the next projector.

3

Check that the pattern image fits into the projected image, and then select **Yes**











Pen calibration starts automatically.



If Auto Calibration fails, follow the on-screen instructions to check your surroundings. Or, perform **Manual Calibration**.

Notes on handling the Touch Unit

 Warning	
<p>Do not disassemble or remodel the Touch Unit.</p> <p>The Touch Unit contains a high power laser product that could cause a fire, electric shock, or an accident.</p>	
<p>Only connect the Touch Unit to the EB-1485Fi. Do not connect it to any other projectors or devices.</p> <p>The device could malfunction, or laser light that is higher than normal intensity could be emitted.</p>	
<p>Do not go near the Touch Unit if you are using medical equipment such as a pace maker. Furthermore, when using the Touch Unit, make sure there is no one using medical equipment such as a pace maker, in the surrounding area.</p> <p>A powerful magnet within the unit generates electromagnetic interference which may cause medical equipment to malfunction.</p>	
 Caution	
<p>Do not go near the Touch Unit with magnetic storage media such as magnetic cards, or precision electronic devices such as computers, digital watches, or mobile phones.</p> <p>A powerful magnet within the unit could corrupt data or cause a malfunction.</p>	
<p>The magnet on the back of the Touch Unit exerts a powerful magnetic attraction on the installation surface. When installing, be careful not to trap your fingers or any other part of your body between the magnets and the installation surface.</p>	
<p>Do not disassemble the Touch Unit when disposing of it.</p> <p>Dispose according to your local or national laws and regulations.</p>	

Complies with FDA performance standards for laser products except for deviations pursuant to Laser Notice No. 50, dated June 24, 2007

Supplier's DECLARATION of CONFORMITY

According to 47CFR, Part 2 and 15

Other Class B digital devices & peripherals

We: Epson America, Inc.
Located at: 3840 Kilroy Airport Way
Long Beach, CA 90806
Tel: 562-981-3840

Declare under sole responsibility that the product identified herein, complies with 47CFR Part 2 and 15 of the FCC rules as a Class B digital device. Each product marketed, is identical to the representative unit tested and found to be compliant with the standards. Records maintained continue to reflect the equipment being produced can be expected to be within the variation accepted, due to quantity production and testing on a statistical basis as required by 47CFR 2.906. Operation is subject to the following two conditions : (1) this device may not cause harmful interference, and (2) this device must accept any interference received, including interference that may cause undesired operation.

Trade Name: EPSON
Type of Product: FINGER TOUCH UNIT
Model: EAI destination: ELPFT01
Other destination: ---

FCC Compliance Statement

For United States Users

This device complies with part 15 of the FCC Rules. Operation is subject to the following two conditions: (1) This device may not cause harmful interference, and (2) this device must accept any interference received, including interference that may cause undesired operation.

This equipment has been tested and found to comply with the limits for a Class B digital device, pursuant to Part 15 of the FCC Rules. These limits are designed to provide reasonable protection against harmful interference in a residential installation. This equipment generates, uses, and can radiate radio frequency energy and, if not installed and used in accordance with the instructions, may cause harmful interference to radio communications. However, there is no guarantee that interference will not occur in a particular installation. If this equipment does cause interference to radio and television reception, which can be determined by turning the equipment off and on, the user is encouraged to try to correct the interference by one or more of the following measures.

- Reorient or relocate the receiving antenna.
- Increase the separation between the equipment and receiver.
- Connect the equipment into an outlet on a circuit different from that to which the receiver is connected.
- Consult the dealer or an experienced radio/TV technician for help.

WARNING

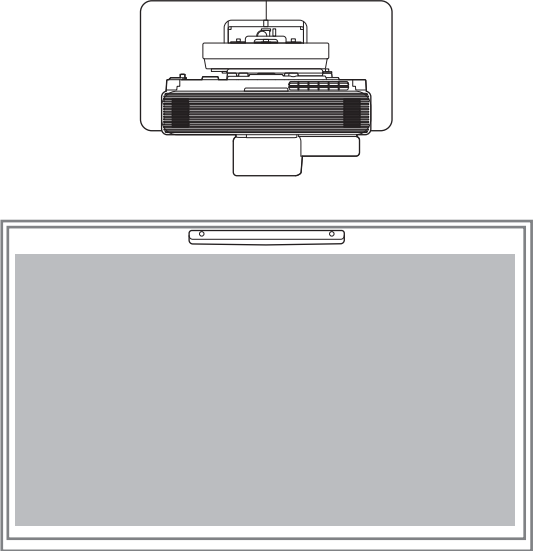
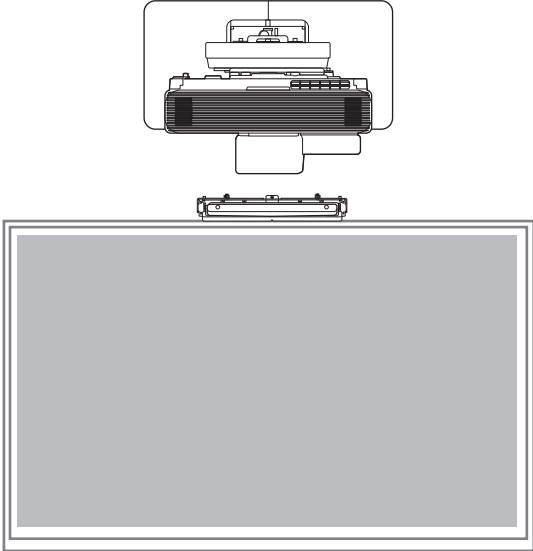
The connection of a non-shielded equipment interface cable to this equipment will invalidate the FCC Certification or Declaration of this device and may cause interference levels which exceed the limits established by the FCC for this equipment. It is the responsibility of the user to obtain and use a shielded equipment interface cable with this device. If this equipment has more than one interface connector, do not leave cables connected to unused interfaces. Changes or modifications not expressly approved by the manufacturer could void the user's authority to operate the equipment.

For Canadian Users

CAN ICES-3 (B) / NMB-3 (B)

Touch Unit installation location

The procedure differs depending on where the Touch Unit is installed.

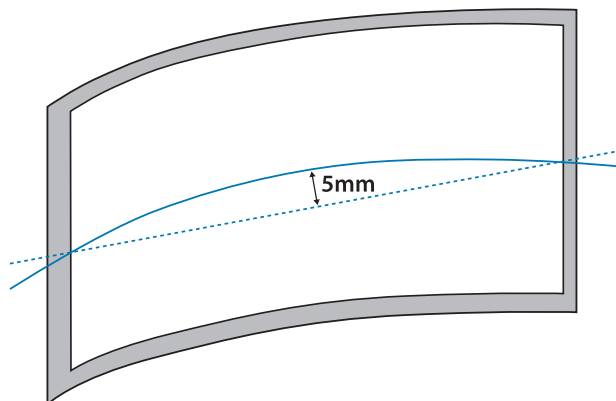
When installed on the projection surface: Secure with magnets or screws	When installed on a different surface: Secure with the Touch Unit Bracket
	

 Caution


When using the Touch Unit, images should be projected onto the front of the screen. You cannot use finger touch operations when images are projected onto the rear of the screen.



Before installing the Touch Unit, make sure that the installation surface is not warped or distorted, and that any unevenness on the screen surface is less than 5 mm.



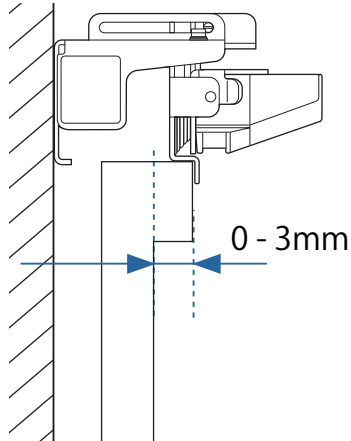
Notes on the Touch Unit Bracket

 Caution

If there is a frame around the screen, make sure that the thickness of the top of the frame is less than 3 mm.



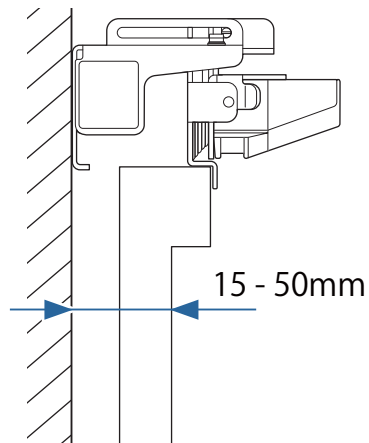
If the thickness of the top of the screen exceeds 3 mm, the Touch Unit will not operate correctly.



Make sure that the distance from the wall to the surface of the screen is less than 50 mm.



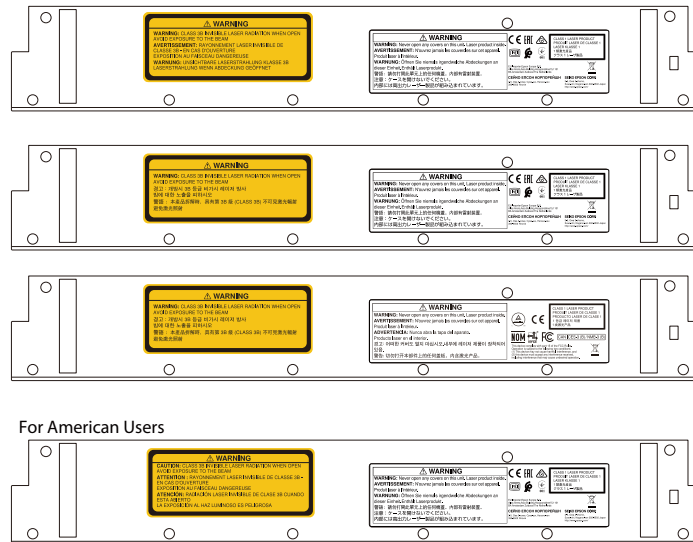
You cannot install the Touch Unit Bracket if the distance is more than 50 mm.



Notes on the Laser

Attached labels

The Touch Unit is a Class 1 laser product that conforms to the IEC/EN60825-1:2014 standard.
 The Touch Unit is a Class 1 laser product that conforms to the IEC/EN60825-1:2007 standard.
 There are warning labels affixed to the Touch Unit to indicate that it is a Class 1 laser product.

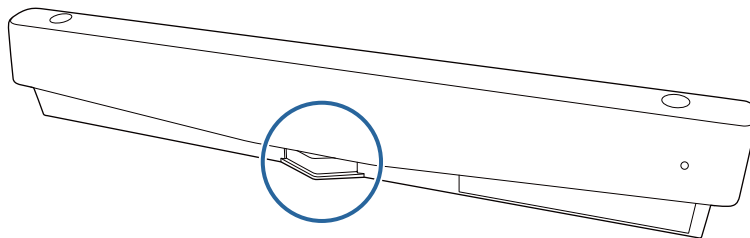


The labels contain the following information.

- Class 1 laser product
- Warning: Do not open the case. The device contains a high power laser product.
- Warning:
 - Caution: If this section is opened, class 3B invisible laser radiation will be emitted.
 - Avoid exposure to the radiation beams.

Laser diffusion port

The laser beam is diffused from the laser diffusion ports at the back of the Touch Unit.

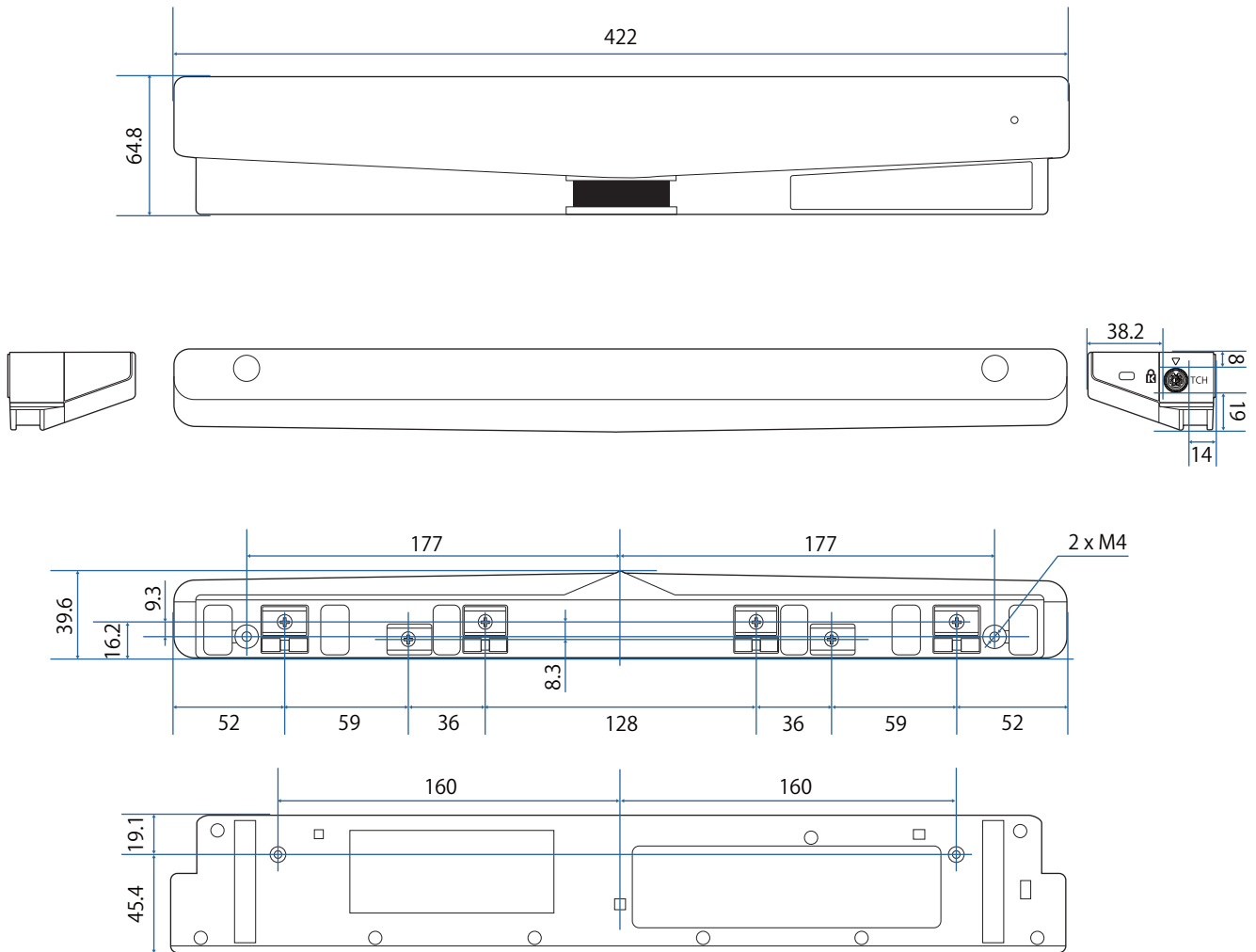


- Light source output: Max. 285 W
- Wavelength: 932 to 952 nm

Touch Unit Specifications

Item	Specification
Touch unit mass	Approx. 0.6 kg
Operating temperature	0 to 40°C
Power (supplied from the projector)	5 VDC 0.65 A

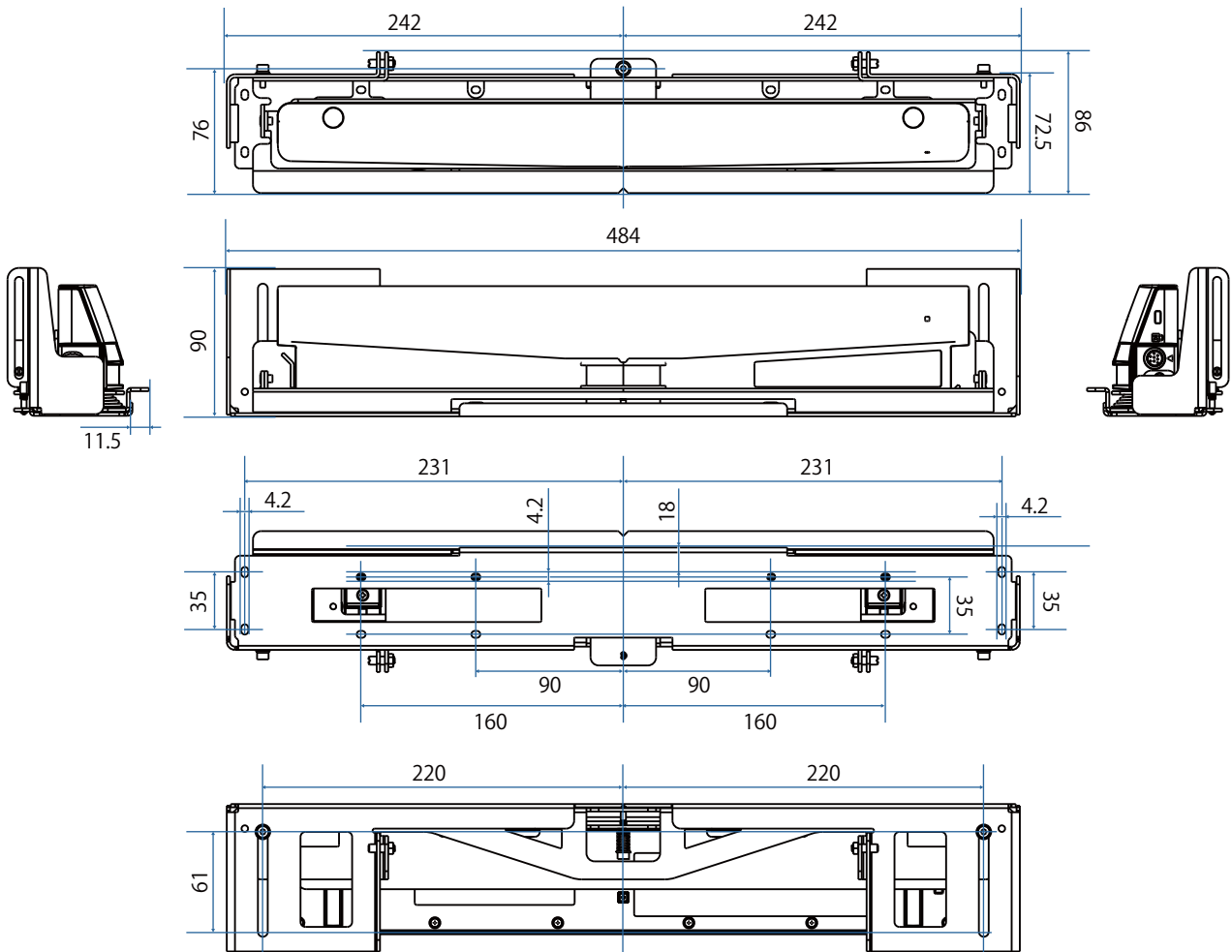
External dimensions



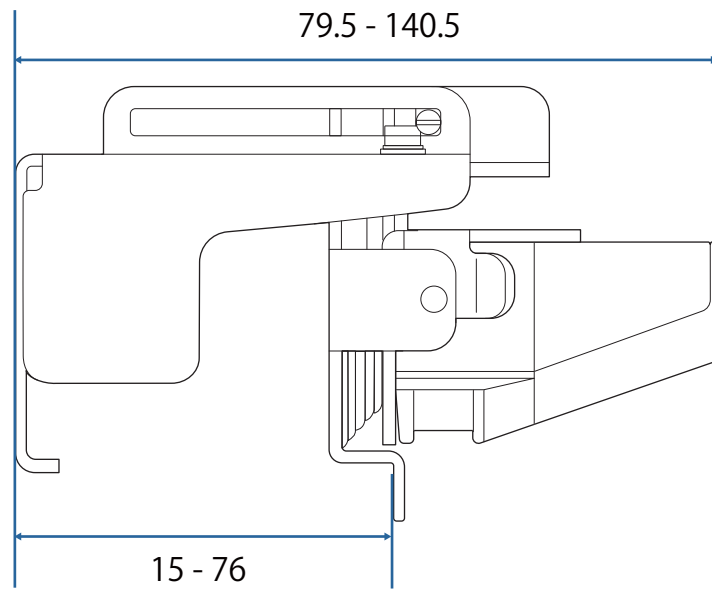
Touch Unit Bracket Specifications

Item	Specification
Touch unit bracket mass	Approx. 1.8 kg
Maximum load capacity	Approx. 8.8 kg

External dimensions



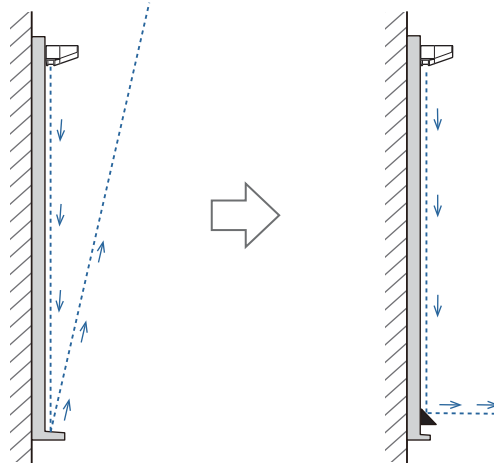
Adjustment range



Installing the Touch Unit

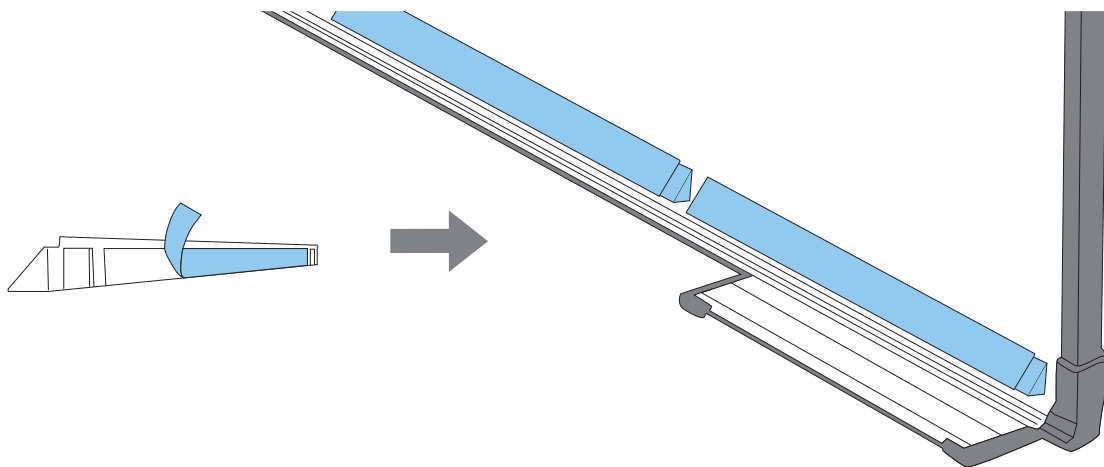
Installing the infrared deflectors

Stick the infrared deflectors to any obstacles, such as a frame or tray, at the bottom of the projection surface. If there are any obstacles, the laser is reflected as shown below, and the location of your finger will not be detected correctly.



1

Stick the supplied infrared deflectors along the locations of the obstacles

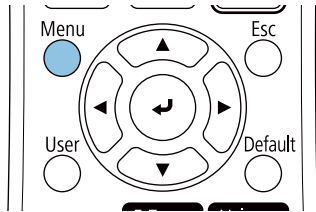


Installing the Touch Unit

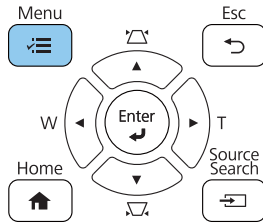
■ When installing on the projection surface without using the Touch Unit Bracket

1 Turn on the projector, and then press the [Menu] button

Using the Remote Control



Using the Control Panel



2 Select **Touch Unit** from the **Installation** menu

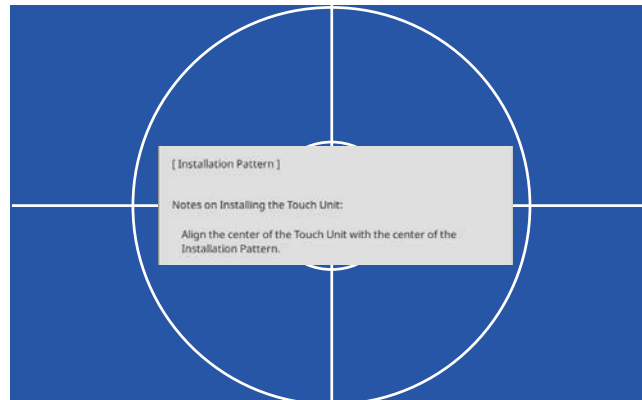
Frequently Used Items	Installation
Image	Fixed Installation Off
Signal I/O	Test Pattern
Installation	Setting Plate Installation Guide
Display	Vertical Installation No
Operation	Projection Front/Upside Down
Management	Auto Screen Adjustment
Network	Geometry Correction Point Correction
Pen/Touch	Digital Zoom
Interactive	Connect ELPCB02 Off
Multi-Projection	Touch Unit
Memory	Remote Receiver Off
ECO	Screen Type 16:9
Initial/All Settings	High Altitude Mode Off
	Reset Installation Settings
	Display
	Pattern Display
	Pattern Type

3

Select **Installation Pattern**

[Touch Unit]		Return
Installation Pattern		
Power	On	
Touch Unit Setup		
Touch Calibration		
Calibration Range	Wide	

You see the installation pattern on the projected image.



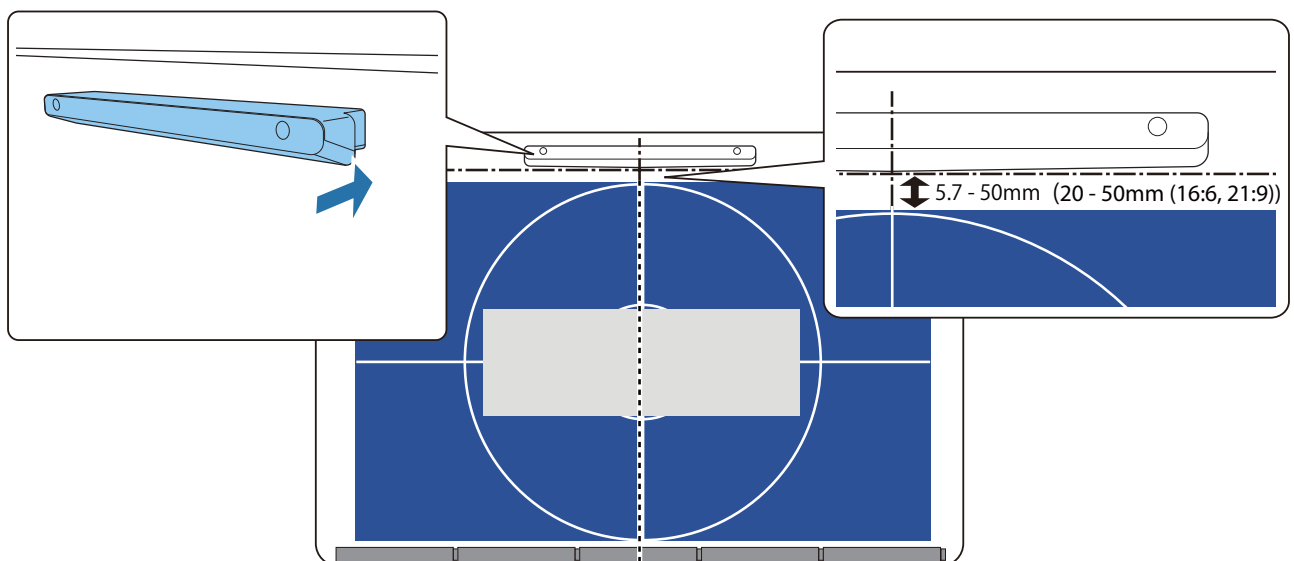
4

When installing on a magnetic surface, check the installation position and attach the touch unit with magnets

When installing on a non-magnetic surface, go to the next step.

Caution

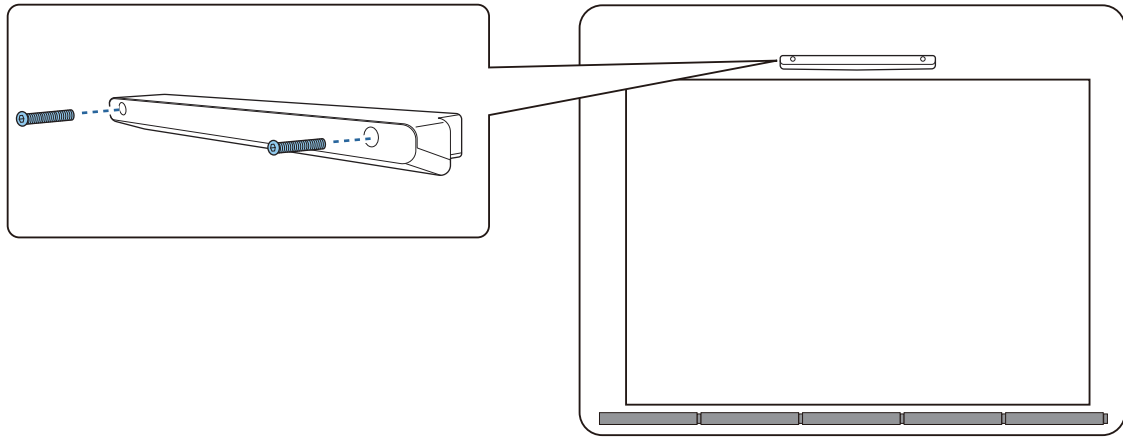
Powerful magnets are used which can cause injury if you trap your fingers. Be careful not to trap your fingers or any other part of your body between the magnets and the installation surface.



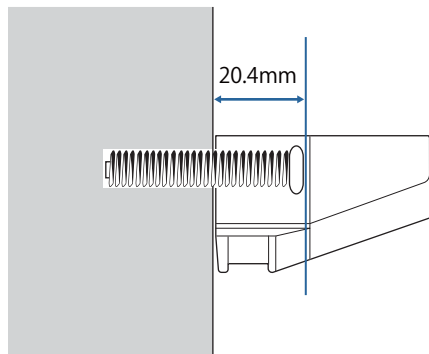
After you attach the Touch Unit, go to "Turning on the Touch Unit" [p.120](#).

9

Secure the Touch Unit with commercially available M4 screws (x2)

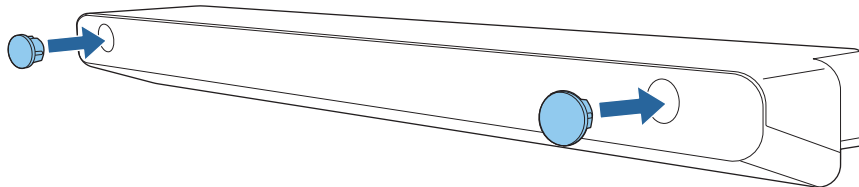


The following shows the depth of the screw holes in the Touch Unit.



10

Attach the rubber caps that you removed in step 8 to the screw holes on the front of the Touch Unit

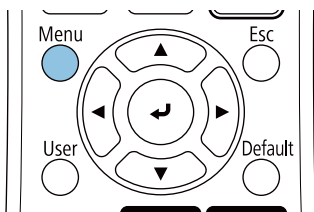


■ When using the Touch Unit Bracket to install outside of the projection surface

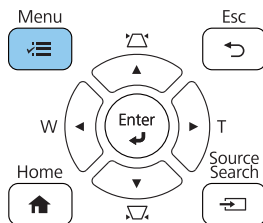
1

Turn on the projector, and then press the [Menu] button

Using the Remote Control



Using the Control Panel



2

Select **Touch Unit** from the **Installation** menu

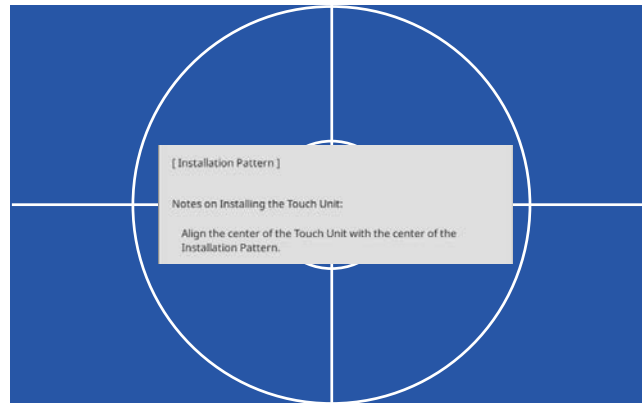
Frequently Used Items	Installation
Image	Fixed Installation Off
Signal I/O	Test Pattern
Installation	Setting Plate Installation Guide
Display	Vertical Installation No
Operation	Projection Front/Upside Down
Management	Auto Screen Adjustment
Network	Geometry Correction Point Correction
Pen/Touch	Digital Zoom
Interactive	Connect ELPCB02 Off
Multi-Projection	Touch Unit
Memory	Remote Receiver Off
ECO	Screen Type 16:9
Initial/All Settings	High Altitude Mode Off
	Reset Installation Settings
	Display
	Pattern Display
	Pattern Type

3

Select **Installation Pattern**

[Touch Unit]	Return
Installation Pattern	
Power	On
Touch Unit Setup	
Touch Calibration	
Calibration Range	Wide

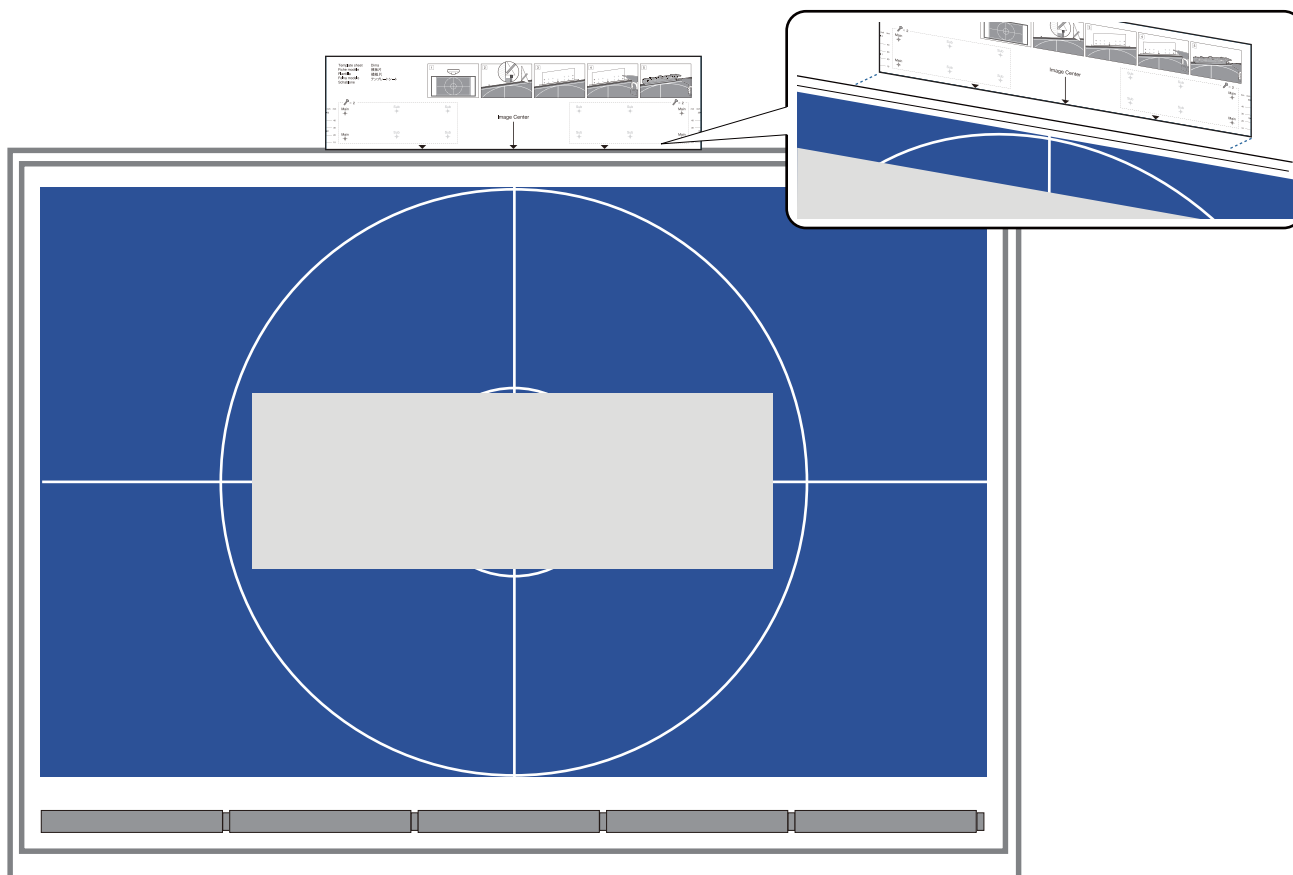
You see the installation pattern on the projected image.



4 Attach the template sheet for the Touch Unit Bracket

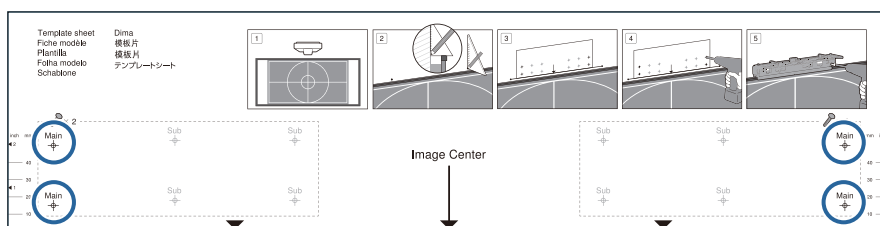
Align the top edge of the projection surface with the bottom edge of the template sheet.

If there is a gap between the installation surface for the bracket and the projection surface, we recommend drawing marks in advance at the attachment position.



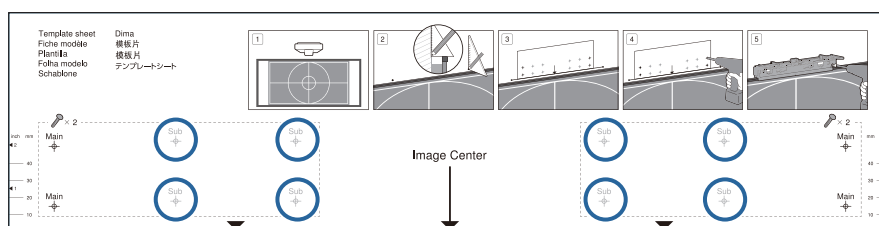
5 Drill holes in the installation surface, and then remove the template sheet

Make holes at the four points labeled as **Main** on the template sheet.



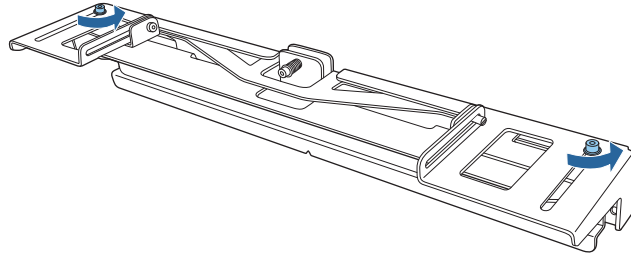
Depending on the condition of the installation surface, you may need to secure the bracket at the points labeled as Sub.

Make holes at four points (two on the left and two on the right) for optimum balance.



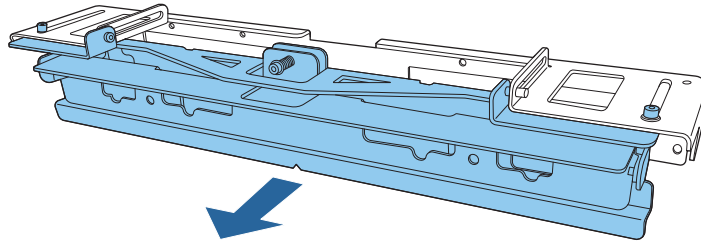
6

Loosen the screws (x2) at the top of the Touch Unit Bracket



7

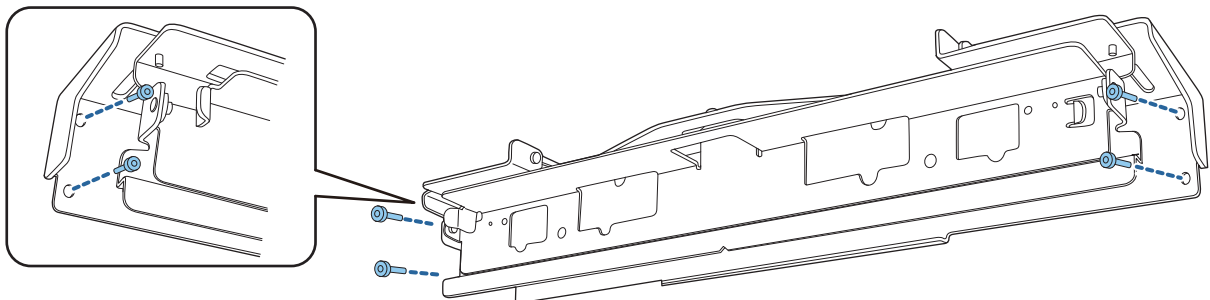
Slide the parts at the front of the bracket forward until they are fully extended



To prevent the sliding section from slipping during installation, lightly tighten the top screws (x2) that you loosened in step 6.

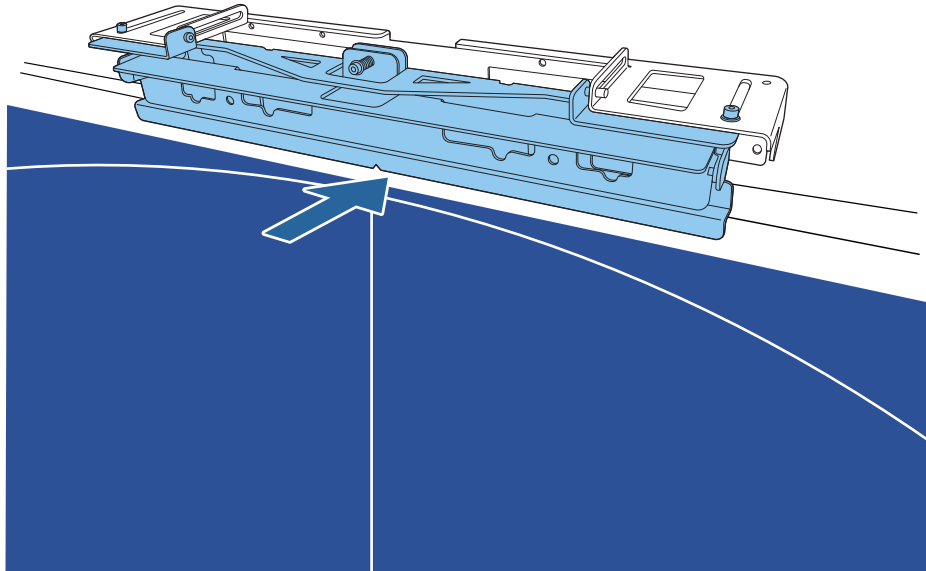
8

Secure the bracket to the wall with commercially available 3.8 mm diameter wood screws with a length of 45 mm (x4) or M4 anchor bolts (x4)

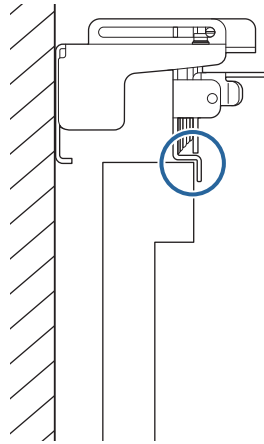


9

Slide the bracket so that it fits with the projection screen

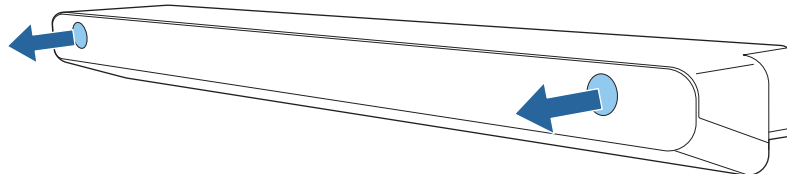


Slide it in until the lower edge of the bracket touches the projection screen.



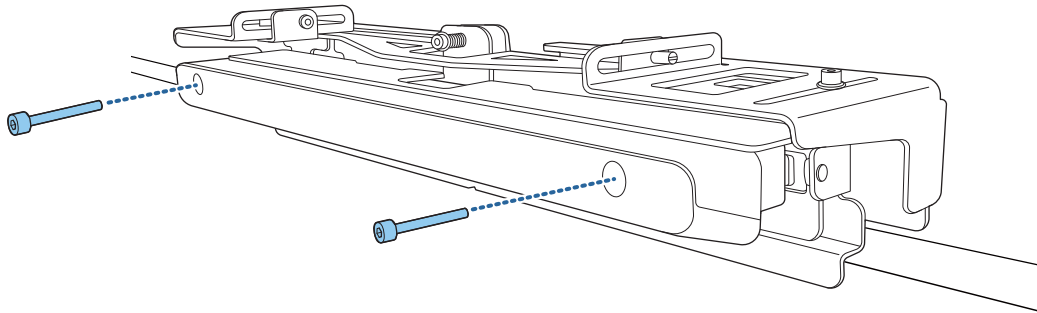
10

Remove the rubber caps (x2) from the front of the Touch Unit



11

Secure the Touch Unit to the bracket with the M4 x 25 mm bolts (x2) supplied

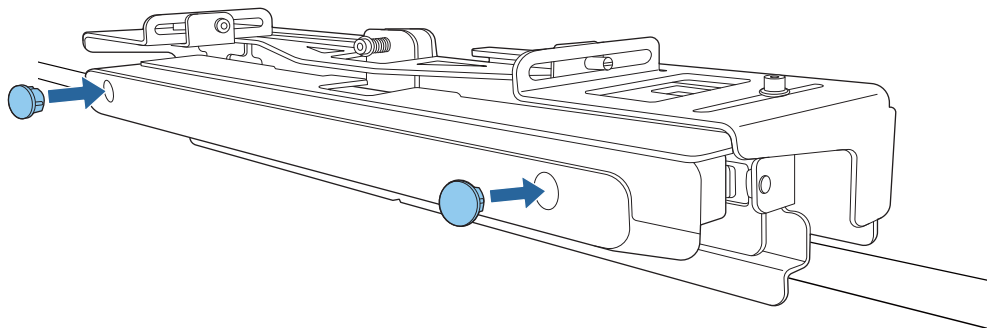


Caution

There is a powerful magnet on the rear of the Touch Unit. Do not trap your hand between the Touch Unit and the Touch Unit Bracket.

12

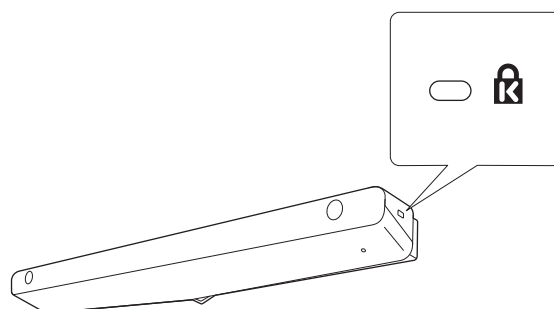
Attach the rubber caps that you removed in step 10 to the screw holes on the front of the Touch Unit



Attaching a Security Cable

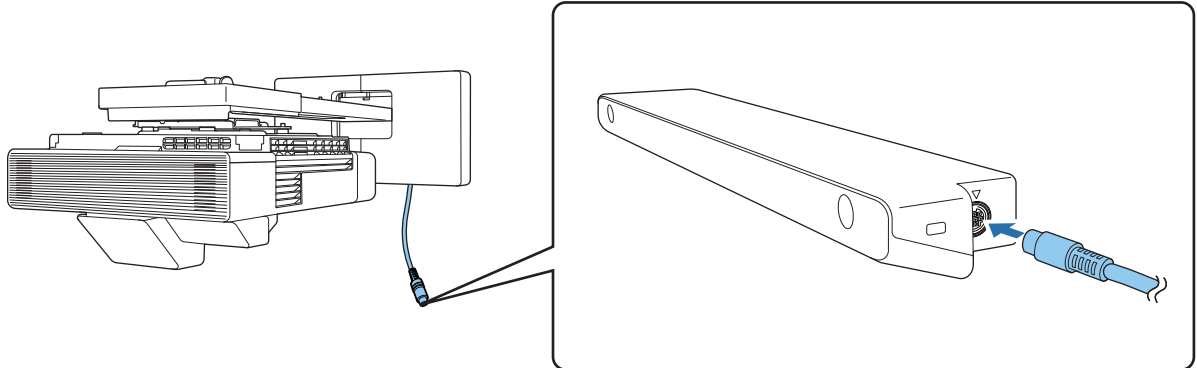
The security slot on the Touch Unit is compatible with the Microsaver Security System manufactured by Kensington. See the following for more details on the Microsaver Security System.

<http://www.kensington.com/>



Turning on the Touch Unit

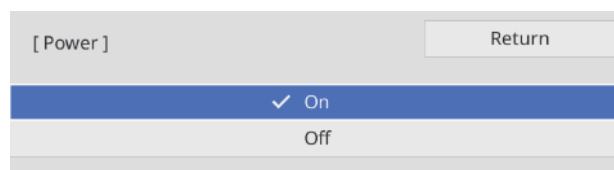
- 1 Connect the Touch Unit connection cable that is connected to the projector to the TCH port on the Touch Unit



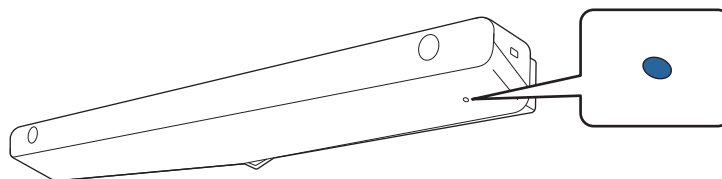
- 2 Select **Touch Unit** from the **Installation** menu




- 3 Set **Power** to **On**



The Touch Unit turns on and the indicator is lit blue.

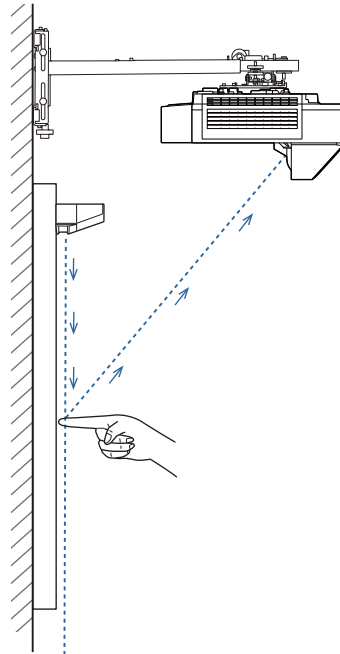


 The Touch Unit automatically turns on the next time you turn on the projector if **Power** is set to **On**.

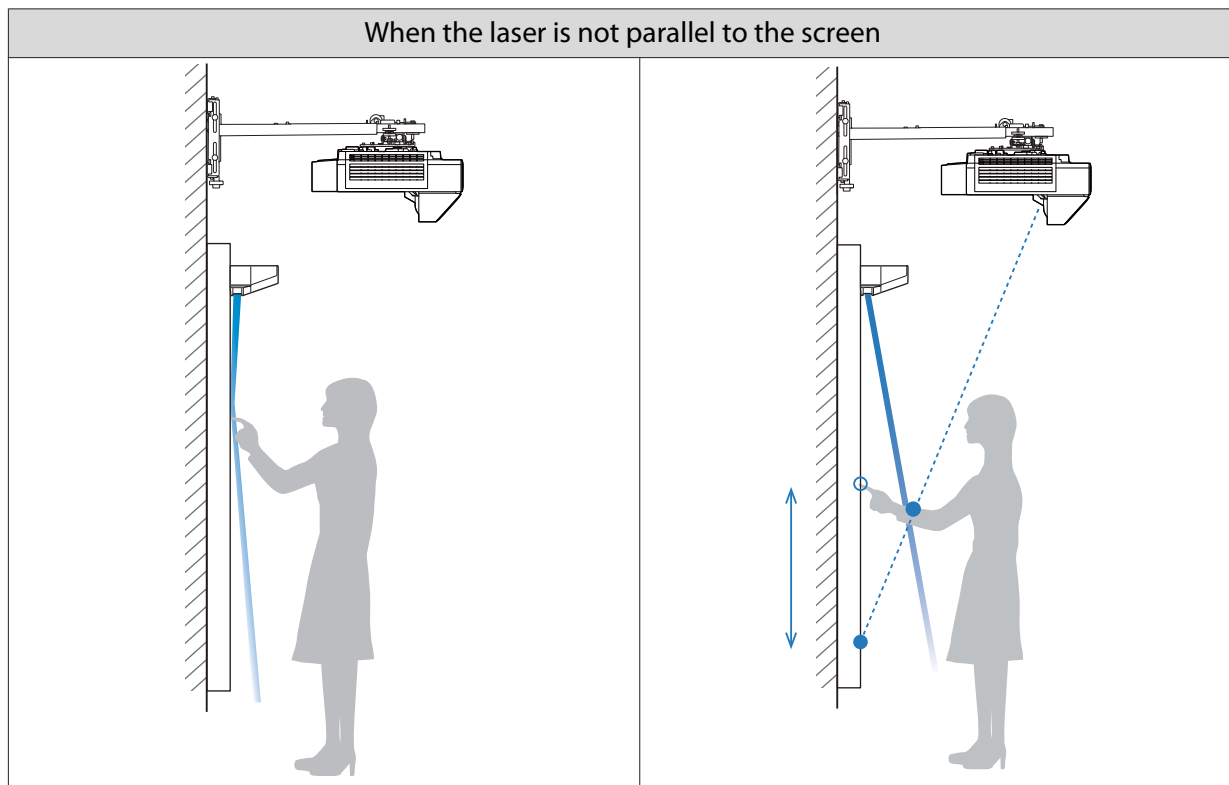
Adjusting the Angle of the Laser (Touch Unit Auto Setup)

An infrared laser in the shape of a curtain is emitted from the Touch Unit. The infrared laser reflects off your finger when touched to the projection surface thereby detecting the finger position allowing the projector's infrared camera to recognize the position being reflected.


Adjust the angle of the laser light coming from the Touch Unit so that the projector can correctly detect the position of your finger.



If the laser is not emitted parallel to the screen, the projector will not detect touch operations or the position of your finger correctly.



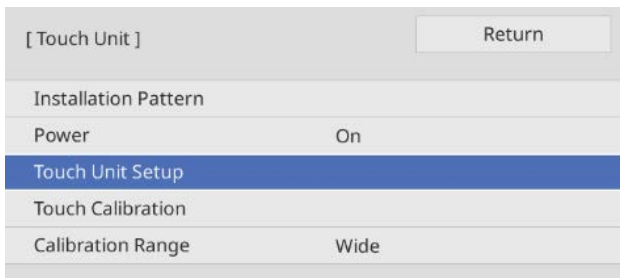
When the laser is not parallel to the screen	
<ul style="list-style-type: none"> • The position of your finger may not be detected even if you touch the projected image. • Even if you do not touch the projected image, touch operations may be incorrectly detected and unintended operations may be performed. 	<ul style="list-style-type: none"> • The position of your finger detected by the projector and your actual finger position may not align, and an unintended operation may be performed. • The projector enters a state in which a touch is still being detected, and a click operation is not recognized.

 Before adjusting the angle of the laser, make sure that interactive pen calibration is complete.

1 Select **Touch Unit** from the **Installation** menu



2 Select **Touch Unit Setup**



If **HDMI Out Setting** is set to **Process Out** in the **Multi-Projection** menu, follow the on-screen instructions to set **Touch Unit > Power** to **Off** from the **Installation** menu on the next projector.

3

Select whether or not the Touch Unit Bracket is being used

[Angle Adjustment]


Installing the Touch Unit without the bracket

Installing the Touch Unit with the bracket

When using the Touch Unit Bracket to install the Touch Unit, select "Installing the Touch Unit with the bracket".

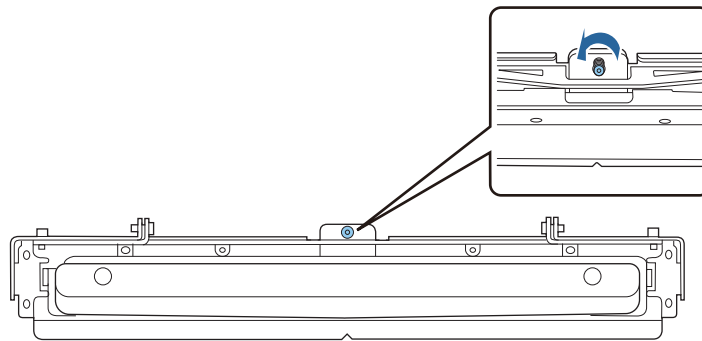
Turn the Adjustment Screw counterclockwise until the screw stops.

Touch Unit Bracket

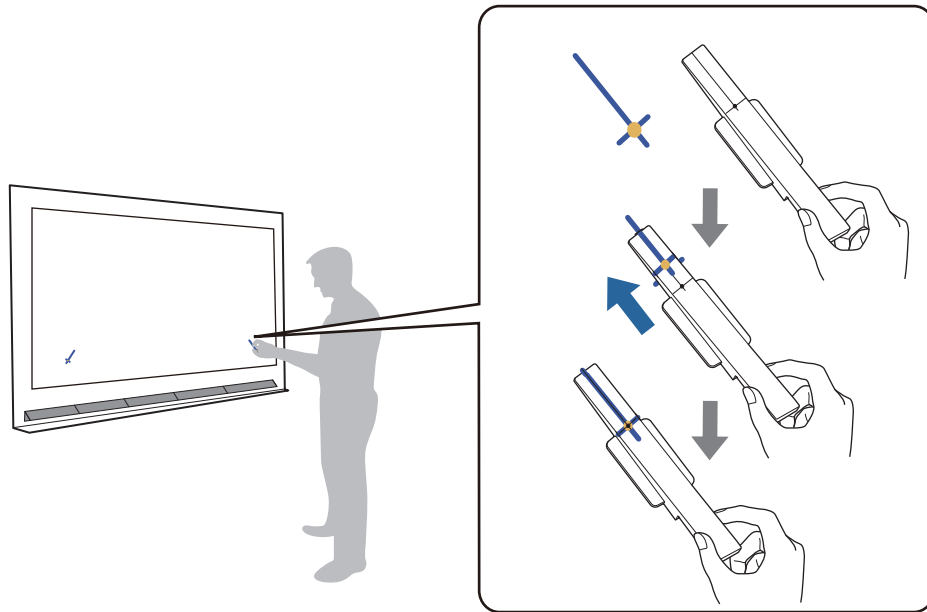


4

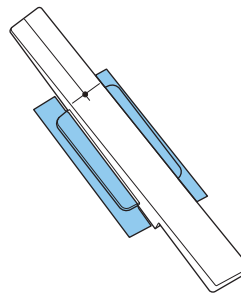
If you are using the Touch Unit Bracket, turn the adjustment screw on the top of the bracket counterclockwise until you cannot turn it any further




- 5 Place the two markers supplied on the marker positions on the projection screen and secure them




- Magnetic screens: Place the base of the markers onto the screen.
- Non-magnetic screens: Use the supplied tape to secure the markers as shown below.



 Do not place anything other than the markers near the projected image during angle adjustment. If other objects are on the projected image, angle adjustment may not be performed correctly.

- 6 Press the [Enter] button to start Touch Unit auto adjustment

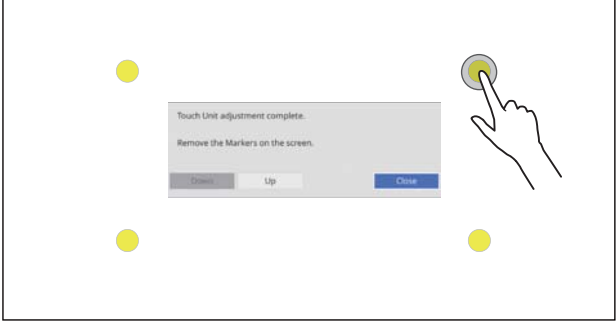
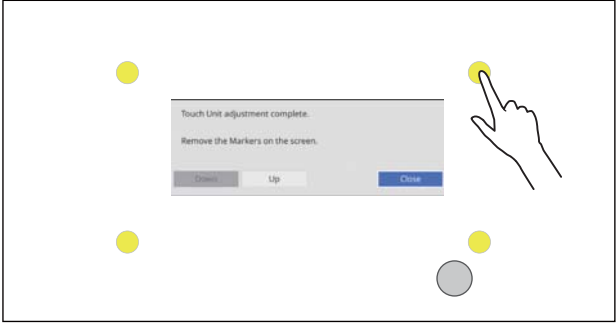
 Auto adjustment may take a few minutes depending on the projection surface.

- 7 When the message **Touch Unit adjustment complete.** is displayed, remove the markers from the projection surface

If you see a message notifying you that auto adjustment has failed, check "When auto adjustment fails" [p.127](#).

8 If only one projector is installed, touch (●) displayed on the screen with your finger and check if (○) is displayed in the same position

Touch all four (●) to confirm.

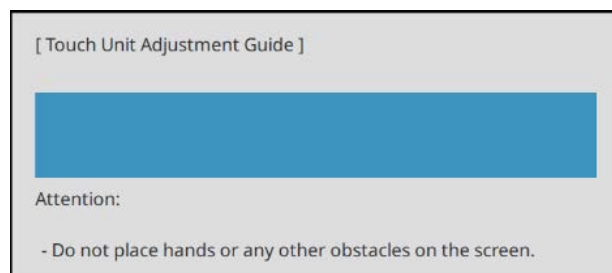
Screen	Status
	<p>Adjustment has been performed correctly if the location you touch with your finger is the same place as where (○) is displayed.</p>
	<p>If (○) is displayed in a different location to the point you touched, select Up once using the control panel or the remote control. Next, touch (●) again with your finger to confirm.</p> <p>Repeat until (○) is displayed in the correct position.</p>

Adjustment is complete when (○) appears in the correct position for all four (●) positions.

Go to "Calibrating touch function operations" [p.130](#).

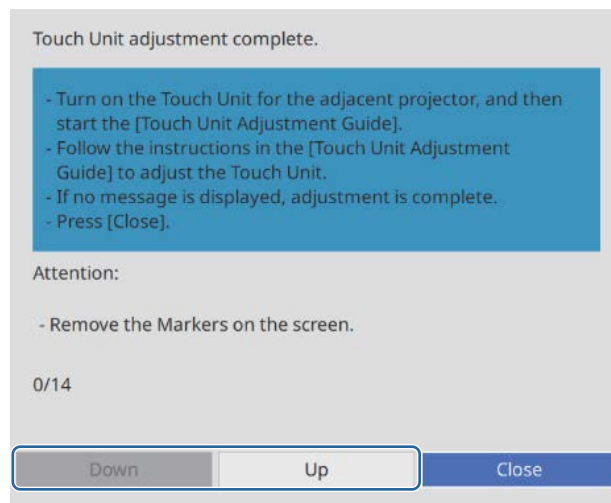
9 When multiple projectors are installed, select **Installation > Touch Unit > Touch Unit Adjustment Guide** on the next projector

The following screen is displayed on the next projector.



10

Follow the instructions displayed on the screen of the next projector, and then press **Down** or **Up**



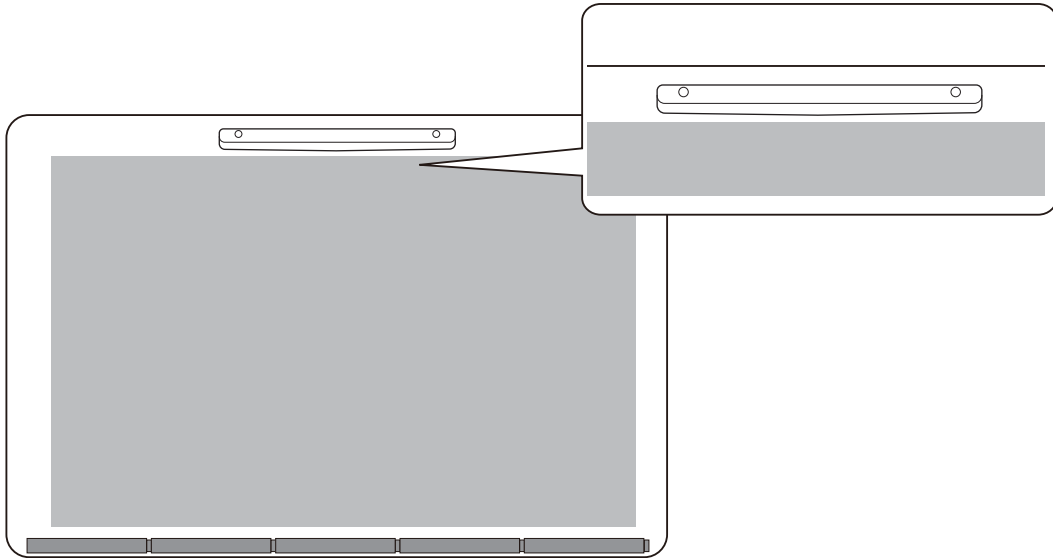
Adjustment is complete when no instructions are displayed on the screen of the next projector.

■ When auto adjustment fails

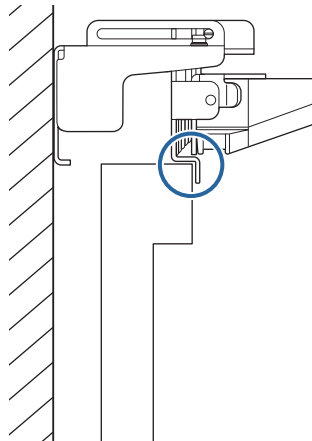
1

Check that the Touch Unit installation position is correct

- Make sure that the Touch Unit and the projected image are parallel.

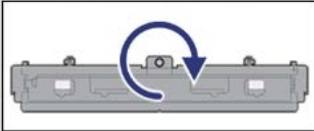



- If you are using a Touch Unit Bracket, make sure that the bottom edge of the bracket is flush with the edge of the projection surface without any gaps.



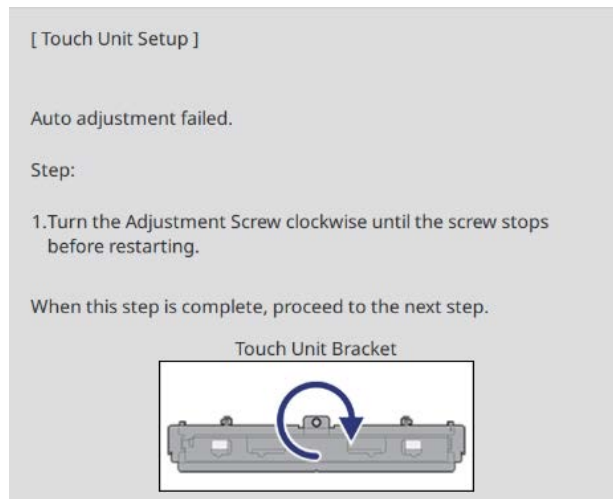
2

Check the message displayed and take the necessary action

Screen	Solution
<p>[Touch Unit Setup]</p> <p>Auto adjustment failed.</p> <p>Step:</p> <p>1. Turn the Adjustment Screw clockwise until the screw stops before restarting.</p> <p>When this step is complete, proceed to the next step.</p> <p style="text-align: center;">Touch Unit Bracket</p> 	<p>Follow the on-screen instructions to adjust the angle of the laser, and then perform auto adjustment again. For details, see "Adjusting the angle of the laser" p.128.</p>
<p>Touch Unit adjustment failed.</p> <p>Remove the Markers.</p> <p>Check that there is no sunlight or strong light such as a fluorescent lamp, shining on the projection side or the interactive pen receiver, and that there are no obstructions on the screen.</p> <p>Make sure there are no obstacles in the area the icons are displayed.</p> <p>Remove all icons and restart the Touch Unit adjustment.</p> <p>If you cannot remove the icon, contact the support center.</p> <p style="text-align: center;">Close</p>	<p>Check the following after removing the markers from the projection surface.</p> <ul style="list-style-type: none"> • If you see an icon () on the projection surface, check if there are any obstacles at the position of the icon. • Check if the strong light such as sunlight or fluorescent light is shining onto the projection surface or the interactive light receiver. <p>When you have checked everything, perform Touch Unit Setup from the Installation menu.</p>
<p>The Touch Unit has malfunctioned.</p> <p style="text-align: right;">[0000]</p> <p style="text-align: center;">Close</p>	<p>The Touch Unit may be malfunctioning. Contact your dealer.</p>

Adjusting the angle of the laser

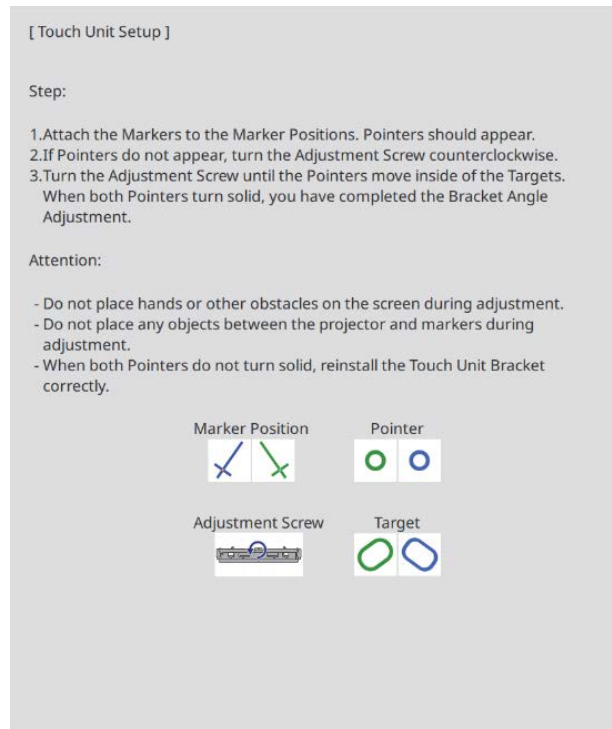
This section explains how to re-adjust the laser when you see the following screen.



1

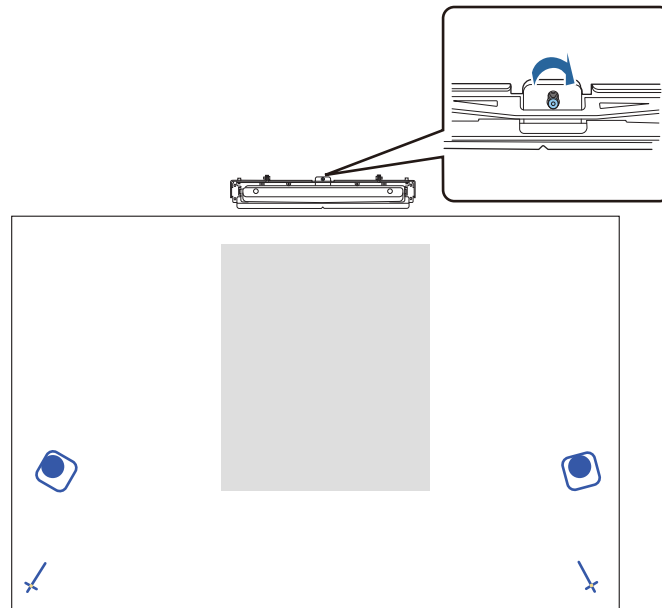
Press the Enter button

You see the following adjustment screen.



2

Turn the adjustment screw clockwise to cover the left and right pointers



3

Press the [Enter] button to start Touch Unit auto adjustment

- When adjustment is complete and you see the following screen, remove the markers from the projection surface



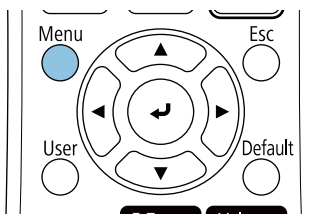
If you see a message notifying you that auto adjustment has failed, check "When auto adjustment fails" p.127.

Calibrating touch function operations

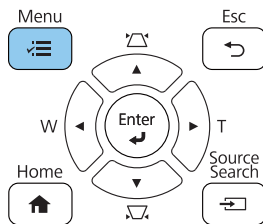
Perform touch calibration so that the projector can recognize touch operations precisely.

- Press the projector's [Menu] button

Using the Remote Control



Using the Control Panel

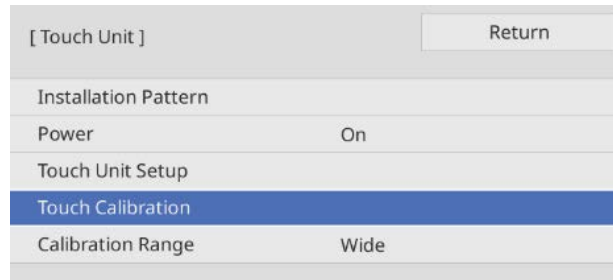


- Select **Touch Unit** from the **Installation** menu

Frequently Used Items	Installation
Image	Fixed Installation Off
Signal I/O	Test Pattern
Installation	Setting Plate Installation Guide
Display	Vertical Installation No
Operation	Projection Front/Upside Down
Management	Auto Screen Adjustment
Network	Geometry Correction Point Correction
Pen/Touch	Digital Zoom
Interactive	Connect ELPCB02 Off
Multi-Projection	Touch Unit
Memory	Remote Receiver Off
ECO	Screen Type 16:9
Initial/All Settings	High Altitude Mode Off
	Reset Installation Settings
	Display
	Pattern Display
	Pattern Type

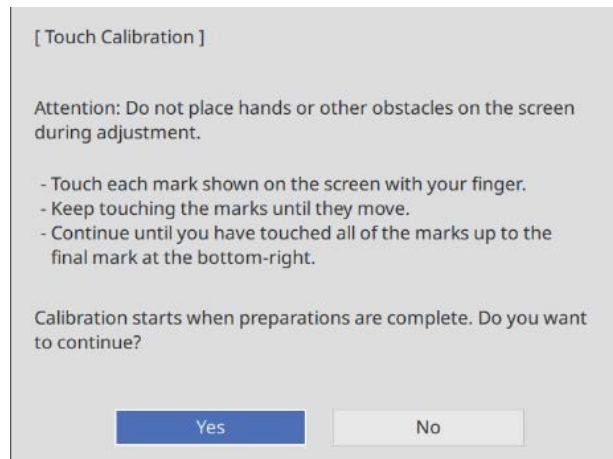
3

Select **Touch Calibration**



4

Select **Yes**

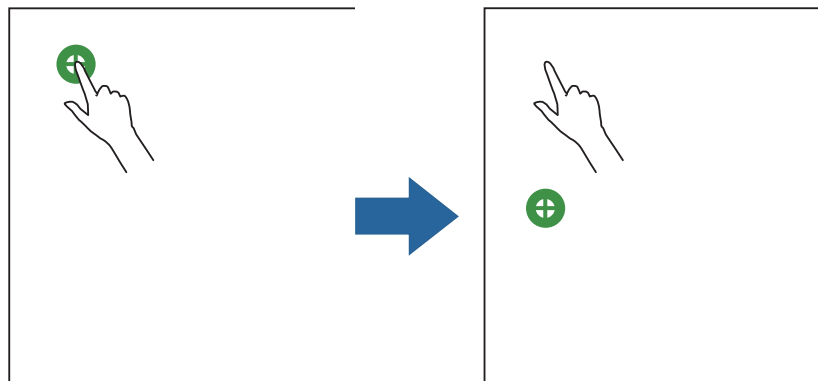


You see a dot at the top left of the projection screen.

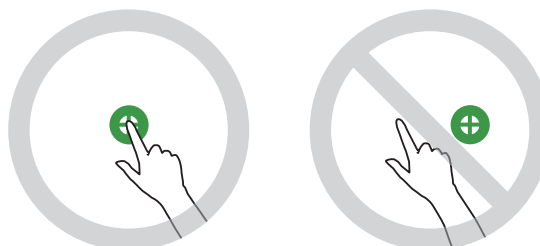
5

Touch the center of the dot with your finger

When the dot disappears and moves to the next position, remove your finger.



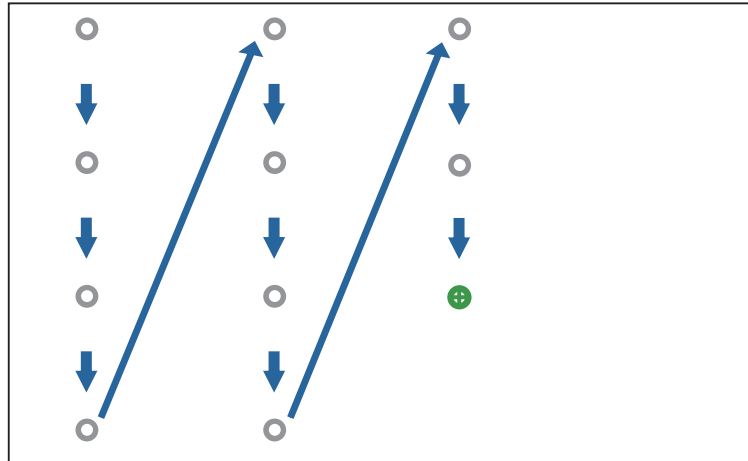
- Make sure you touch the center of the dot. Otherwise, it may not be positioned correctly.



- Do not touch with anything else except the tip of your finger.

6

Repeat step 5 until all of the dots disappear


















When all of the dots disappear, touch calibration is complete.



















- If you touch the wrong position, press the [Esc] button on the remote control or control panel. This returns you to the previous dot. You cannot go back by two dots.
- To cancel touch calibration, hold down the [Esc] button for two seconds.
- It may take several seconds after all of the dots have disappeared until touch calibration is complete.

List of Safety Symbols

The following table lists the meaning of the safety symbols labeled on the equipment.

Symbol mark	Approved standards	Meaning
	IEC60417 No.5007	"ON" (power) To indicate connection to the mains.
	IEC60417 No.5008	"OFF" (power) To indicate disconnection from the mains.
	IEC60417 No.5009	Standby To identify the switch or switch position by means of which part of the equipment is switched on in order to bring it into the standby condition.
	ISO7000 No.0434B IEC3864-B3.1	Caution To identify general caution when using the product.
	IEC60417 No.5041	Caution, hot surface To indicate that the marked item can be hot and should not be touched without taking care.
	IEC60417 No.6042 ISO3864-B3.6	Caution, risk of electric shock To identify equipment that has risk of electric shock.
	IEC60417 No.5957	For indoor use only To identify electrical equipment designed primarily for indoor use.
	IEC60417 No.5926	Polarity of d.c. power connector To identify the positive and negative connections (the polarity) on a piece of equipment to which a d.c. power supply may be connected.
	---	
	IEC60417 No.5001B	Battery, general On battery powered equipment. To identify a device for instance a cover for the battery compartment, or the connector terminals.
	IEC60417 No.5002	Positioning of cell To identify the battery holder itself and to identify the positioning of the cell(s) inside the battery holder.
	---	
	IEC60417 No.5019	Protective earth To identify any terminal which is intended for connection to an external conductor for protection against electric shock in case of a fault, or the terminal of a protective earth electrode.
	IEC60417 No.5017	Earth To identify an earth (ground) terminal in cases where the  is not explicitly required.

Symbol mark	Approved standards	Meaning
	IEC60417 No.5032	Alternating current To indicate on the rating plate that the equipment is suitable for alternating current only; to identify relevant terminals.
	IEC60417 No.5031	Direct current To indicate on the rating plate that the equipment is suitable for direct current only; to identify relevant terminals.
	IEC60417 No.5172	Class II equipment To identify equipment meeting the safety requirements specified for Class II equipment according to IEC 61140.
	ISO 3864	General prohibition To identify actions or operations that are prohibited.
	ISO 3864	Contact prohibition To indicate injury that could occur due to touching a specific part of the equipment.
	---	Never look into the projection lens while the projector is on.
	---	To indicate that you must never place anything on the projector.
	ISO3864 IEC60825-1	Caution, laser radiation To indicate the equipment has a laser radiation part.
	ISO 3864	Disassembly prohibition To indicate a risk of injury, such as electric shock, if the equipment is disassembled.
	IEC60417 No.5266	Standby, partial standby To indicate that part of the equipment is in the ready status.
	ISO3864 IEC60417 No.5057	Caution, movable parts To indicate that you must keep away from movable parts according to protection standards.
	IEC 60417-6056	Caution (movable fan blades) To indicate that you must keep away from the blades of the movable fan according to protection standards.
	IEC 60417-6043	Caution (sharp corners) To indicate that you must not touch the sharp corners of the product according to protection standards.
	--	Never look into the projection lens while the projector is on.
	ISO7010 No. W027 ISO 3864	Warning, light emission (UV, visible light, IR and so on) To indicate that you must be careful not to injure your eyes or skin when near light emitting sections.
	IEC60417 No.5109	Not to be used in residential areas To indicate that the electrical equipment/device is not suitable for use in a residential area.

**Indication of the manufacturer and the importer in accordance with requirements of directive 2011/65/
EU (RoHS)**

Manufacturer: SEIKO EPSON CORPORATION

Address: 3-5, Owa 3-chome, Suwa-shi, Nagano-ken 392-8502 Japan

Telephone: 81-266-52-3131

<http://www.epson.com/>

Importer: SEIKO EUROPE B.V.

Address: Azië building, Atlas Arena, Hoogoorddreef 5, 1101 BA Amsterdam Zuidoost The Netherlands

Telephone: 31-20-314-5000

<http://www.epson.eu/>

General Notice

Mac and OS X are trademarks of Apple Inc..

Microsoft and Windows are trademarks or registered trademarks of Microsoft Corporation in the United States and/or other countries.

©SEIKO EPSON CORPORATION 2019. All rights reserved.

2019.7 413823900ENPDF