

Desk Mount Dual Monitor Arm | Articulating



Actual product may vary from photos

User Manual **SKU#: ARMDUAL3**

For the latest information and specifications visit
www.startech.com/ARMDUAL3

Use of Trademarks, Registered Trademarks, and other Protected Names and Symbols

This manual may make reference to trademarks, registered trademarks, and other protected names and/or symbols of third-party companies not related in any way to StarTech.com. Where they occur these references are for illustrative purposes only and do not represent an endorsement of a product or service by StarTech.com, or an endorsement of the product(s) to which this manual applies by the third-party company in question. Regardless of any direct acknowledgement elsewhere in the body of this document, StarTech.com hereby acknowledges that all trademarks, registered trademarks, service marks, and other protected names and/or symbols contained in this manual and related documents are the property of their respective holders.

Warning Statements

- Make sure that you assemble this product according to the instructions.
- Do not exceed the weight capacity of this product. Overloading this product might result in injury or property damage. This product can support the following weight: 35.2 lb. (2 x 8 kg).
- This product is intended for indoor use only and should not be used outdoors.

Varningsmeddelanden

- Se till att du monterar produkten i enlighet med instruktionerna.
- Överskrid inte produktens viktkapacitet. Överbelastning av produkten kan orsaka skada på person eller egendom. Denna produkt har stöd för följande vikter: 2 x 8 kg.
- Produkten är endast avsedd för användning inomhus och ska inte användas utomhus.

Avertissements

- Assemblez ce produit conformément aux instructions.
- Ne dépassez pas la capacité pondérale du produit. Une surcharge du produit peut entraîner des blessures ou des dommages matériels. Ce produit peut supporter 2 x 8 kg.
- Ce produit est uniquement destiné à une utilisation en intérieur et ne doit pas être utilisé à l'extérieur.

Warnhinweise

- Beachten Sie bei der Montage dieses Produkts die Montageanweisungen.
- Überschreiten Sie nicht die Tragkraft dieses Produkts. Ein Überladen dieses Produkts kann zu Verletzungen oder zur Beschädigung des Produkts führen. Dieses Produkt ist für folgendes Gewicht geeignet: 2 x 8 kg.
- Dieses Produkt ist nur zum Gebrauch in Innenräumen vorgesehen und sollte nicht im Freien verwendet werden.

Dichiarazioni di avvertenza

- Assicurarsi di Assemblare il prodotto secondo le istruzioni.
- Non superare la capacità di carico del prodotto. Il sovraccarico del prodotto potrebbe causare danni o lesioni. Il prodotto è in grado di supportare i seguenti pesi: 2 x 8 kg.
- Il prodotto è destinato all'uso in ambienti interni. Se ne sconsiglia l'impiego in ambienti esterni.

Mensagens de aviso

- Certifique-se de que monta este produto de acordo com as instruções.
- Não exceda a capacidade de peso deste produto. Sobrecarregar este produto pode resultar em ferimentos ou danos de propriedade. Este produto pode suportar o seguinte peso: 2 x 8 kg.
- Este produto destina-se apenas a uma utilização no interior e não deve ser utilizado no exterior.

Advertencias de uso

- Asegúrese de ensamblar este producto según las instrucciones.
- Asegúrese de no exceder la capacidad de peso de este producto. La sobrecarga de este producto puede causar lesiones personales o daños en la propiedad. Este producto tiene capacidad para el siguiente peso: 2 x 8 kg.
- El uso de este producto es solo para interiores y no debe utilizarse en exteriores.

Waarschuwingen

- Zorg dat u dit product volgens de instructies in elkaar zet.
- Overschrijd de maximale capaciteit van dit product niet. Overbelasting van dit product kan letsel of materiële schade veroorzaken. Dit product ondersteunt het volgende gewicht: 2 x 8 kg.
- Dit product is alleen bedoeld voor binnengebruik en mag niet buiten worden gebruikt.

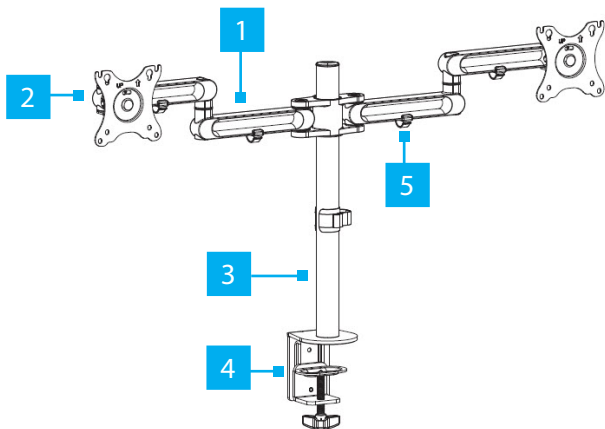
注意

- 必ず取扱説明書に従って本製品の組み立てを行って下さい。
- 本製品で定められた最大積載重量を超えないようにして下さい。最大積載重量をオーバーした場合、怪我をする恐れや器物破損の恐れがあります。本製品は、モニター1台あたり2 x 8 kgまで支持できます。
- 本製品は、室内での使用を想定しています。戸外では使用しないで下さい。

Table of Contents

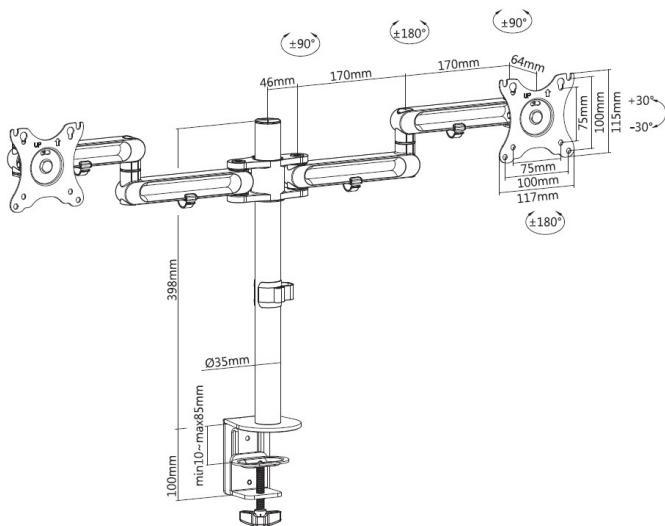
Warning Statements	2
Product Diagram	5
Product Dimensions.....	6
Product Information	7
Package Contents	7
Product Specifications.....	10
Requirements.....	11
Assembling the C-Clamp	12
Assembling the Monitor Arm.....	14
Mounting the Monitors.....	16
Adjusting the Monitors	19
Routing the Cables.....	20

Product Diagram



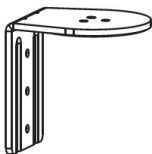
1	<i>Swivel Arm Assembly</i>
2	<i>Monitor Mounts x 2</i>
3	<i>Pole</i>
4	<i>C-Clamp</i>
5	<i>Cable Management Clips x 5 (installed)</i>

Product Dimensions



Product Information

Package Contents



Upper Desk Clamp

Qty: One



Lower Desk Clamp

Qty: One



Swivel Arm Assembly

Qty: One



Pole

Qty: One



Desk Clamp Screws

Qty: Two



Pole Assembly Screws

Qty: Three



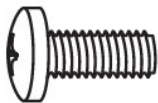
4 mm Hex Key

Qty: One



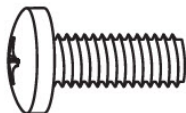
6 mm Hex Key

Qty: One



M4 x 12 mm Screws

Qty: Eight



M5 x 12 mm Screws

Qty: Eight



Washers

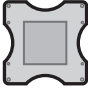



Qty: Eight





Cable Management Clip

Qty: One

Product Specifications

 VESA	75 x 75 100 x 100
 Total Weight (two monitors)	35.2 lb. (2 x 8 kg)
 Screen Size	Max. 32"
 Rotation	360°

 <p><i>Tilt</i></p>	<p>- 30° to +30°</p>
 <p><i>Swivel</i></p>	<p>- 90° to +90°</p>

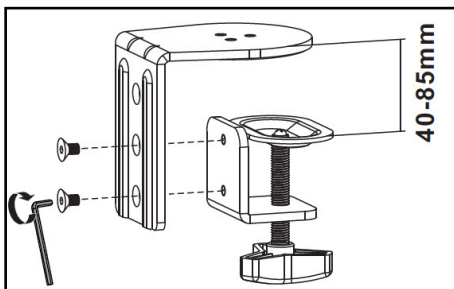
Requirements

- Phillips Head Screwdriver x 1
- Monitors x 2
- Mounting Surface x 1

Assembling the C-Clamp

If the Mounting Surface's thickness is between 40 mm - 85 mm:

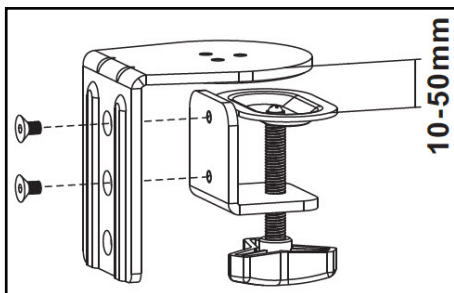
1. Align the two lower **Screw Holes** on the **Upper Desk Clamp** with the two **Screw Holes** on the **Lower Desk Clamp**.
2. Insert the two **Desk Clamp Screws** through the **Screw Holes** on the **Upper Desk Clamp** and into the **Screw Holes** on the **Lower Desk Clamp**.
3. Using the **4 mm Hex Key** tighten the two **Desk Clamp Screws**. Being careful not to over-tighten the **Desk Clamp Screws**.



C-Clamp Assembly

If the Mounting Surface's thickness is between 10 mm - 50 mm:

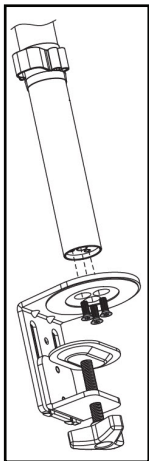
4. Align the two upper **Screw Holes** on the **Upper Desk Clamp** with the two **Screw Holes** on the **Lower Desk Clamp**.
5. Insert the two **Desk Clamp Screws** through the **Screw Holes** on the **Upper Desk Clamp** and into the **Screw Holes** on the **Lower Desk Clamp**.
6. Using the **4 mm Hex Key**, tighten the two **Desk Clamp Screws**. Being careful not to over-tighten the **Desk Clamp Screws**.



C-Clamp Assembly

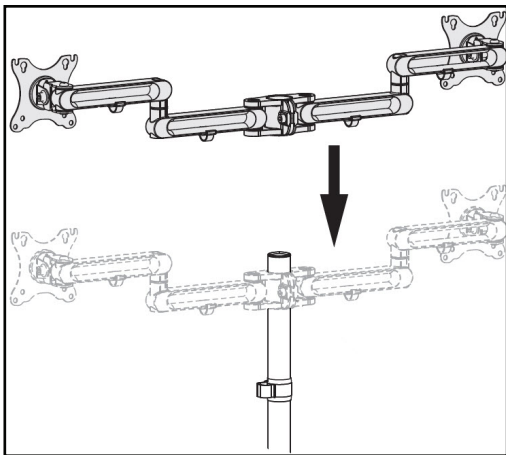
Assembling the Monitor Arm

1. Align the three **Screw Holes** on the top of the **C-Clamp** with the three **Screw Holes** on the bottom of the **Pole**.
2. Insert the three **Pole Assembly Screws** through the **Screw Holes** on the top of the **C-Clamp** and into the **Screw Holes** on the bottom of the **Pole**.
3. Using the **4 mm Hex Key**, tighten the three **Pole Assembly Screws**. Being careful not to over-tighten the **Pole Assembly Screws**.



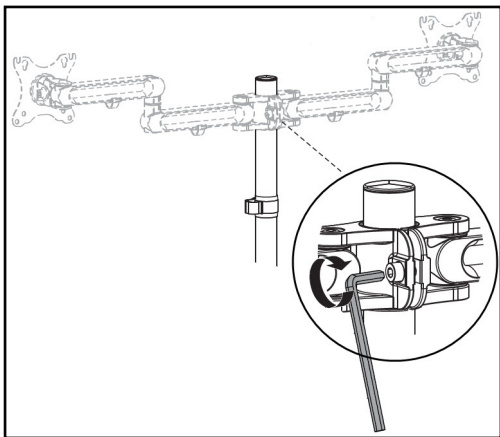
Attaching the C-Clamp to the Pole

- Slide the **Swivel Arm Assembly** over-top of the **Pole**.



Installing the Swivel Arm Assembly

- Adjust the **Swivel Arm Assembly** up or down until it is at the desired height.
- While holding the weight of the **Swivel Arm Assembly**, use the **6 mm Hex Key** to tighten the **Adjustment Screw** on the **Swivel Arm Assembly** to secure the **Swivel Arm Assembly** in place.



Tightening the Adjustment Screw

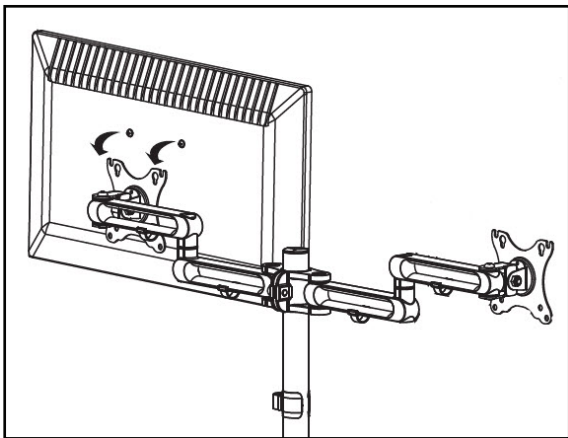
7. While supporting the weight of the **Monitor Arm**, slide the **C-Clamp** over the edge of the **Mounting Surface**.
8. Using your hand, tighten the **Thumb Screw** until the **C-Clamp** is pressed tightly against the **Mounting Surface**.

Mounting the Monitors

Note: *It is recommend that two people are used to mount the **Monitors** to the **Monitor Mounts**.*

1. Determine the size of screw to use to mount the **Monitors** to the **Monitor Mounts** (M4 x 12 mm or M5 x 12 mm).

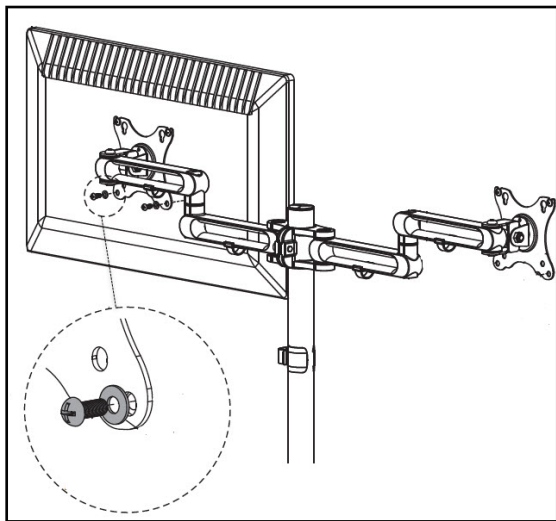
2. While supporting the weight of the **Monitor**, align the **Screw Holes** on the back of the **Monitor** with the **Screw Holes** on the **Monitor Mount**.



Aligning the Monitor with the Monitor Mount

3. Align a **Washers** (x 4), with a **Screw Hole** on the **Monitor Mount**.
4. Insert a Screw x 4 (M4 x 12 mm or M5 x 12 mm) through the **Washer** and **Screw Hole** on the **Monitor Mount** and into the **Screw Holes** on the back of the **Monitor**.
5. Using a **Phillips Head Screwdriver** (sold separately) tighten the **Screws**, being careful not to over-tighten.

Note: Do not over-tighten the Thumb Screws. If you encounter resistance while you're tightening the Thumb Screws, stop tightening. Failure to do so could result in damage to the monitor.

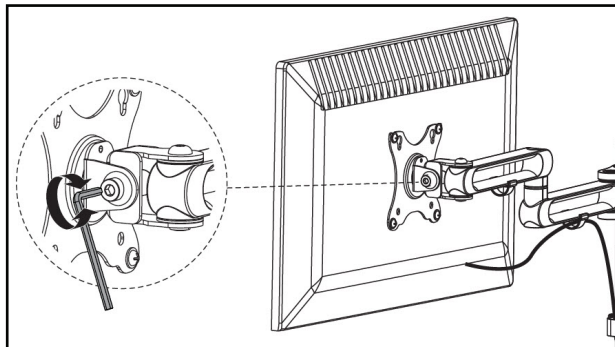


Attaching a Monitor to the Monitor Mount

6. Repeat steps 1 - 5 to mount the second **Monitor**.

Adjusting the Monitors

1. Using the **6 mm Hex Key**, loosen the **Adjustment Screw** that is located on the side of the **Monitor Mount**.

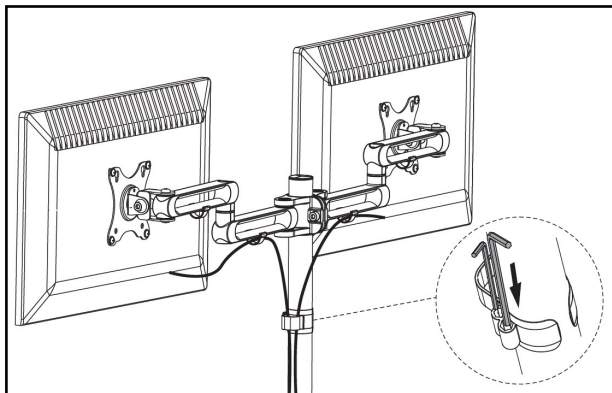


Adjusting the Monitor Tilt

2. Adjust the tilt of the **Monitor**.
3. Once the **Monitor** is in the desired position, tighten the **Adjustment Screw**, securing the **Monitor** in place.

Routing the Cables

- **Monitor Cables** can be routed along the **Swivel Arm Assembly** through the **Cable Management Clips** along the **Swivel Arm Assembly** and down along the **Pole** through the **Cable Management Clip**.
- Once the **Monitor Arm** is assembled the **Hex Keys** can be placed in the front of the **Cable Management Clip** on the **Pole**.



Routing Cables

Warranty Information

This product is backed by a five-year warranty.

For further information on product warranty terms and conditions, please refer to www.startech.com/warranty.

Limitation of Liability

In no event shall the liability of StarTech.com Ltd. and StarTech.com USA LLP (or their officers, directors, employees or agents) for any damages (whether direct or indirect, special, punitive, incidental, consequential, or otherwise), loss of profits, loss of business, or any pecuniary loss, arising out of or related to the use of the product exceed the actual price paid for the product.

Some states do not allow the exclusion or limitation of incidental or consequential damages. If such laws apply, the limitations or exclusions contained in this statement may not apply to you.

Hard-to-find made easy. At StarTech.com, that isn't a slogan. It's a promise.

StarTech.com is your one-stop source for every connectivity part you need. From the latest technology to legacy products — and all the parts that bridge the old and new — we can help you find the parts that connect your solutions.

We make it easy to locate the parts, and we quickly deliver them wherever they need to go. Just talk to one of our tech advisors or visit our website. You'll be connected to the products you need in no time.

Visit www.startech.com for complete information on all StarTech.com products and to access exclusive resources and time-saving tools.

StarTech.com is an ISO 9001 Registered manufacturer of connectivity and technology parts. StarTech.com was founded in 1985 and has operations in the United States, Canada, the United Kingdom and Taiwan servicing a worldwide market.

Reviews

Share your experiences using StarTech.com products, including product applications and setup, what you love about the products, and areas for improvement.

StarTech.com Ltd.

45 Artisans Cres.
London, Ontario
N5V 5E9
Canada

FR: startech.com/fr
DE: startech.com/de

StarTech.com LLP

2500 Creekside Pkwy.
Lockbourne, Ohio
43137
U.S.A.

ES: startech.com/es
NL: startech.com/nl

StarTech.com Ltd.

Unit B, Pinnacle
15 Gowerton Rd.,
Brackmills
Northampton
NN4 7BW
United Kingdom

IT: startech.com/it
JP: startech.com/jp