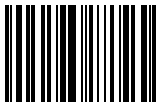


Machine type: 10153/F0AH

Lenovo N3 Series User Guide

Version 1.0 2013.10



31506210



lenovo

Important Safety Information

Before using this manual, it is important that you read and understand all of the related safety information for this product. Refer to the *Safety and Warranty Guide* that you received with this product for the latest safety information. Reading and understanding this safety information reduces the risk of personal injury or product damage.

The interface and functions shown in this User Guide are provided for reference only and may differ from actual product appearance. Product design and specifications may be changed without notice.



Danger: Be aware of extremely hazardous or potentially lethal situations.



Attention: Be aware of possible damage to programs, devices, or data.



Note: Pay attention to this important information.

© Copyright Lenovo 2013. All rights reserved.

LIMITED AND RESTRICTED RIGHTS NOTICE: If data or software is delivered pursuant a General Services Administration "GSA" contract, use, reproduction, or disclosure is subject to restrictions set forth in Contract No. GS-35F-05925.

Contents

Important Safety Information


Using the Computer Hardware	1
Front view of the computer.....	2
Left and right view of the computer	3
Rear view of the computer	4
Computer stand	5
Connecting your computer.....	6
Important information about using the computer	7
Mounting the computer onto a wall	8
Troubleshooting and Confirming Setup	11
Troubleshooting Problems Hard Disks	12
Performing Daily Maintenance Tasks	12
Appendix.	14
Declaration.....	14
Trademarks	15

Using the Computer Hardware

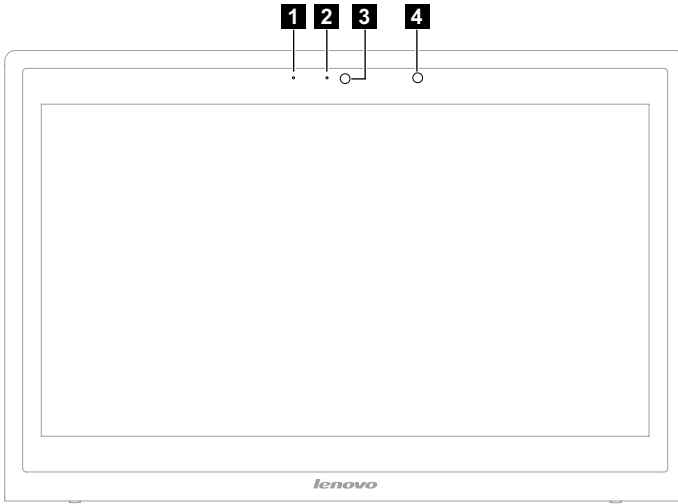


This chapter contains the following topics:

- Introduction to the computer hardware
- Information on computer connections

 **Note:** The descriptions in this chapter might be different from what you see on your computer, depending on the computer model and configuration.

Front view of the computer

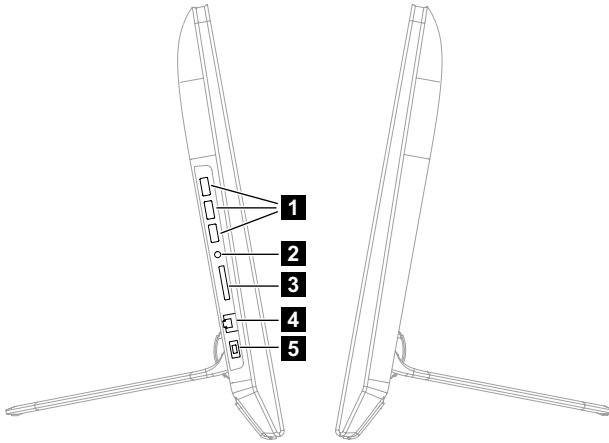


- 1** Built-in microphone
- 2** Camera LED
- 3** Camera
- 4** Ambient light sensor *

* **Ambient light sensor:** The ambient light sensor detects the amount of light in your surroundings. The screen brightness automatically adjusts depending on the ambient light conditions detected by the built-in ambient light sensor.

! **Note:** Battery status is displayed in several places in the status bar. You will be alerted when the battery starts to run low. Make sure you connect the power supply when you receive an alert.

Left and right view of the computer



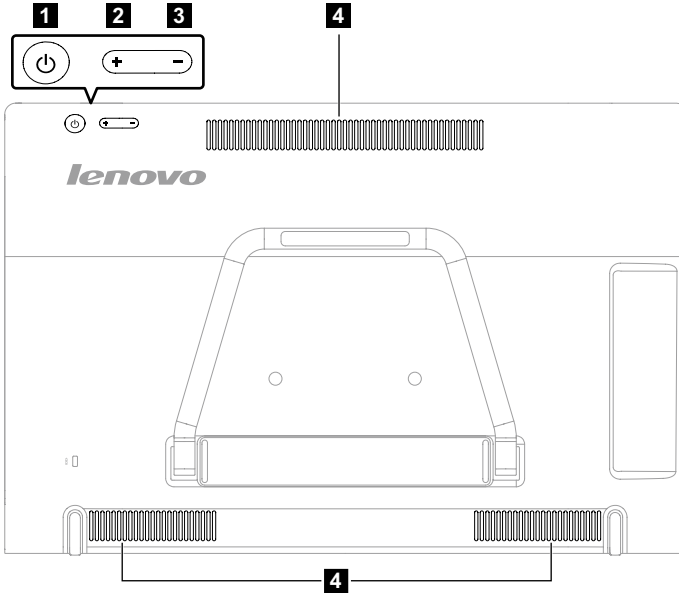
- 1** USB 2.0 connector
- 3** Memory card reader
- 5** Power connector

- 2** Headphone connector
- 4** Ethernet connector

Rear view of the computer



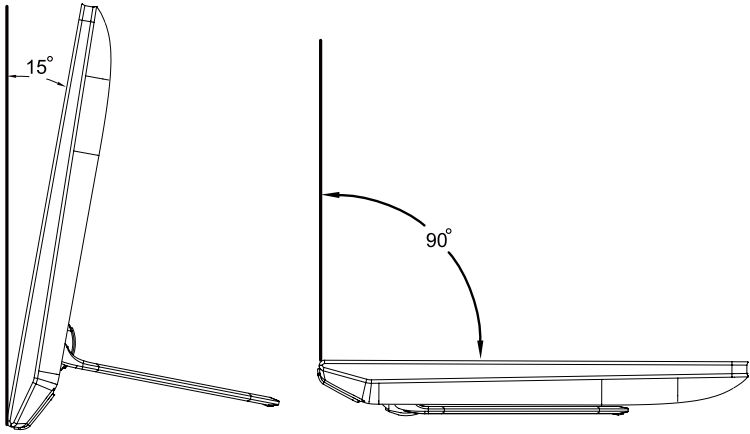
Attention: Be careful not to block any air vents on the computer. Blocked air vents can cause overheating.



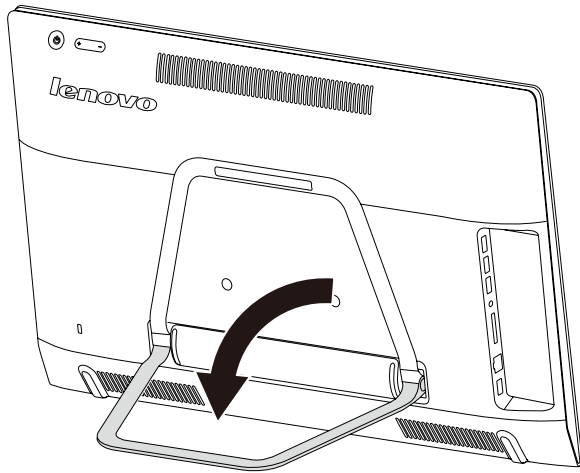
- 1** Power button
- 3** Volume down

- 2** Volume up
- 4** Air vents

Computer stand



Use the stand to position the display to your preference. It can be rotated 15° forward and 90° backward.



Connecting your computer

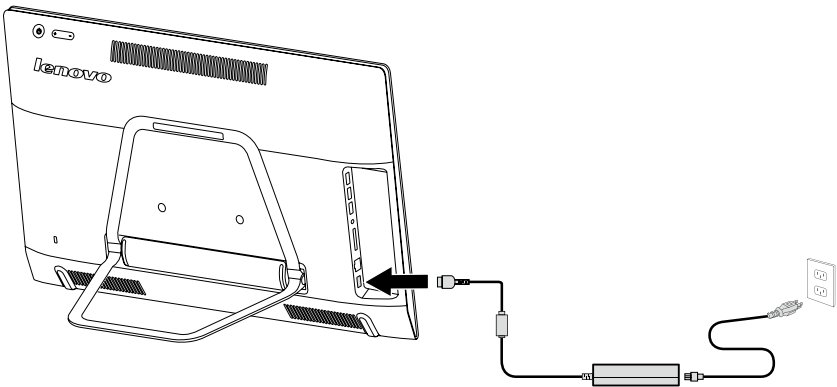
! **Note:** Your computer may not have all of the connectors described in this section.

Basic connector instructions

Connector	Description
Ethernet connector	Use this connector to attach the computer to an Ethernet type local area network.
Microphone	Use this connector to attach a microphone to your computer when you want to record sound or if you use speech-recognition software.
Headphone	Use this connector to attach headphones to your computer when you want to listen to music or other sounds without disturbing anyone.
USB connector	Use this connector to attach a device that requires a USB connection.

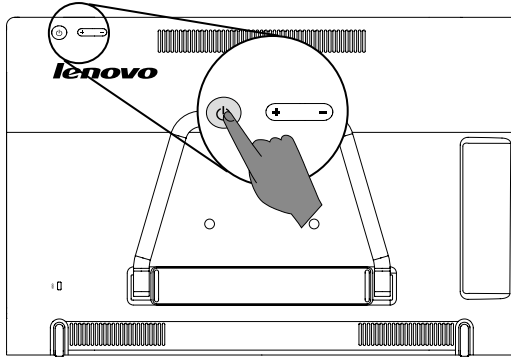
! **Note:** If your computer is equipped with a wireless keyboard or mouse, follow the installation instructions for those devices.

Connecting the power cord

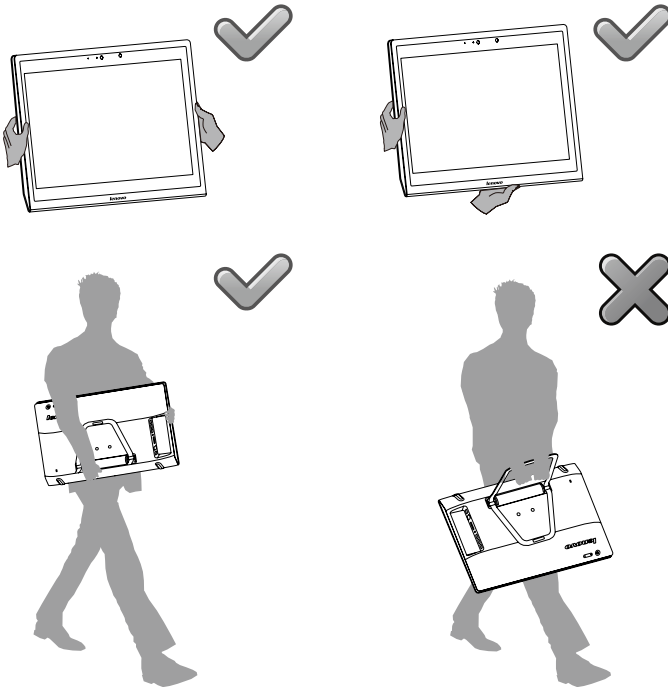


Important information about using the computer

Press the power button on the top of the computer for over 5 seconds to turn on the computer.



Hold the computer tightly when you carry it.



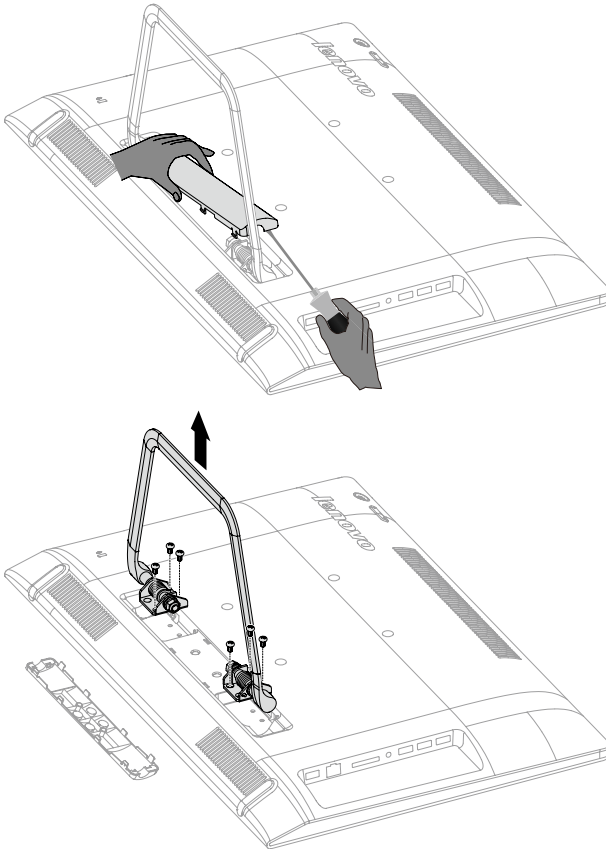
Mounting the computer onto a wall

The computer can be mounted onto a wall. Before doing this, you will first need to attach a UL listed **VESA wall mount*** (to be purchased separately) onto the back of the computer.

To attach a VESA wall mount


! **Note:** It may be helpful to place the computer face-down on a soft flat surface for this procedure. Lenovo recommends that you use a blanket, towel, or other soft cloth to protect the touch screen from scratches or other damage.

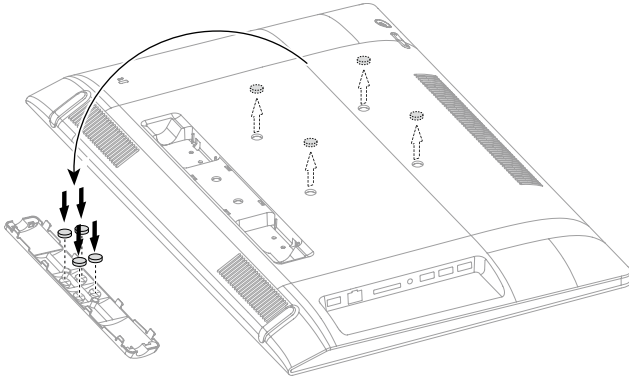
1. Open the hinge cover and remove the stand as shown below.



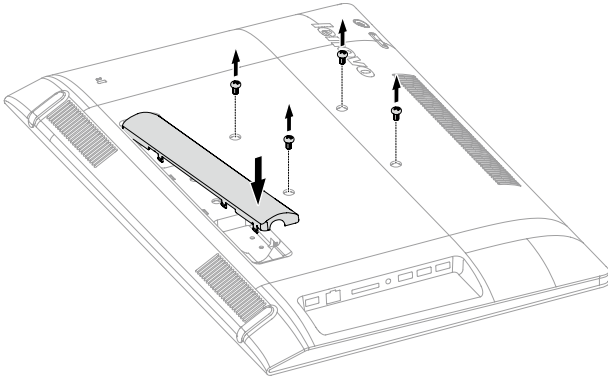
* **VESA wall mount spec:** VESA100, 100mm x 100mm, M4 bolts.

2. Remove the four rubber caps on the back cover of the computer as shown below.

 **Note:** We recommend that you put the rubber caps into the storage slots in the hinge cover.



3. Remove the four screws which were under the rubber caps and reattach the hinge cover.



4. Align the VESA wall mount with the mounting holes on the back of the computer, and then secure it to the computer with the four screws.

Troubleshooting and Confirming Setup



This chapter contains the following topic:

- Troubleshooting and Problem Resolution

Troubleshooting Problems Hard Disks

Problem: The capacity of the hard disk, as indicated by the system, is less than the nominal capacity.

Further Technical Explanation: The nominal capacity of the hard disk is expressed in the decimal system as 1000 bytes. But the actual hard disk capacity is expressed in the binary system as 1024 bytes (For example, the nominal capacity 1G is 1000M, while the actual capacity 1G is 1024M).

The capacity of the hard disk shown in Windows can be calculated according to the calculations in the following example:

The nominal capacity of the hard disk is 40G, while its actual capacity should be: $40 \times 1000 \times 1000 \times 1000 / (1024 \times 1024 \times 1024) = 37G$.

If the Service partition of 3G - $3 \times 1000 \times 1000 \times 1000 / (1024 \times 1024 \times 1024) = 2.79G$ is subtracted, the capacity of the hard disk shown in the system can be obtained.

The capacity of the hard disk as calculated using this method may be slightly different from the actual capacity due to the rounding of totals.

Performing Daily Maintenance Tasks

Cleaning the computer components

Because many of the computer components consist of sophisticated integrated circuit boards, it is very important to periodically clean the computer to prevent dust buildup. The cleaning supplies you need to clean the components include: a vacuum cleaner, a soft cotton cloth, pure water (preferably purified or distilled water) and cotton swabs.



Attention: Before you clean your computer, disconnect the computer from the electrical outlet. Clean your computer with a soft cloth dampened with water. Do not use liquid or aerosol cleaners, which may contain flammable substances.



Note: To avoid damaging the computer or display, do not spray cleaning solution directly onto the display. Only use products specifically designed for cleaning displays, and follow the instructions included with the product.

The following are general methods for cleaning the components:

- You can use a soft cloth to remove dust on the surface of the computer, the monitor, the printer, the speakers and the mouse.
- You can use a vacuum cleaner to clean in otherwise inaccessible corners.
- To clean the keyboard thoroughly, shut down the computer and scrub it gently with a wet cloth. Do not use the keyboard until it is dry.

Do not do any of the following:

- Allow water to enter the computer.
- Use a heavily dampened cloth.
- Spray water directly onto the surface of the monitor or inside the computer.

LCD monitor should be cleaned daily. Use a dry cloth to brush dust from the monitor and keyboard every day. Keep all surfaces clean and free of grease stains.

Appendix.

Declaration

Thank you for using Lenovo products.

Carefully read all documents shipped with your computer before you install and use the product for the first time. Lenovo is not responsible for any loss except when caused by installation and operations performed by Lenovo professional service personnel. You are responsible if you fail to operate the product according to instructions and requirements in the manuals included with your computer, or operate the product inappropriately.

This manual could include technical inaccuracies or typographical errors. Changes are made periodically to the information herein; these changes will be incorporated in new editions of the publication. To provide better service, Lenovo reserves the right to improve and/or modify the products and software programs described in the manuals included with your computer, and the content of the manual, at any time without additional notice.

The manuals included with your computer are provided to help you use Lenovo's products appropriately. For the configuration of the product, refer to the related contract (if any) or product packing list, or consult the distributor for the product sales.

The content of the manuals included with your computer is protected by copyright laws and rules. None of the manuals included with your computer may be reproduced or transcribed by any means or translated into any language without prior written permission of Lenovo.

The software interface and function and hardware configuration described in the manuals included with your computer might not match exactly the actual configuration of the computer that you purchase. You are welcome to contact us about the manuals included with your computer. For the latest information or any questions or comments, contact or visit the Lenovo Web site:

Service Web site: <http://support.lenovo.com>

Trademarks

Lenovo and the Lenovo logo, IdeaCentre and IdeaCentre logo are trademarks of Lenovo in the United States, other countries, or both.

Other company, product, or service names referred to herein or in other Lenovo publications may be trademarks or service marks of others.

All rights reserved.

Names or marks of certain companies mentioned in the manuals included with your computer or this document do not necessarily indicate that related software or hardware is included. The actual configuration of the product depends on the packing list description.

