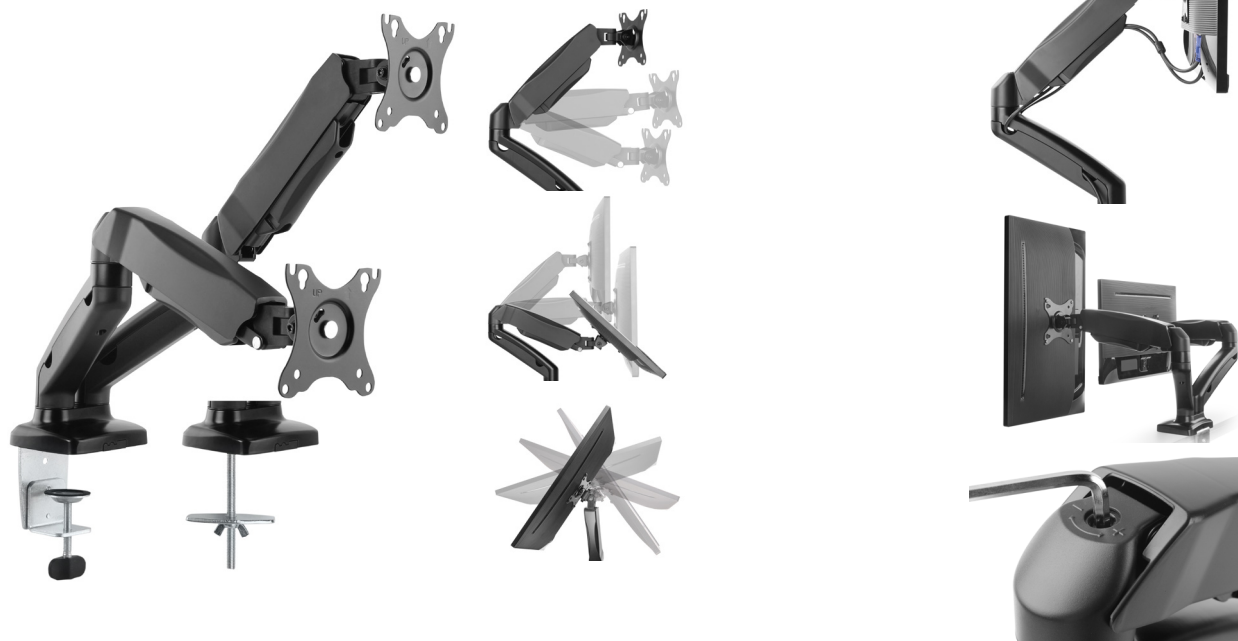


13"-27" display Interactive, counterbalance dual-monitor arm

DELTAACO

A NORDIC BRAND



PRODUCT DATA

Product Category:	Gas Spring Monitor Arm
Material:	Aluminum, Plastic
Surface Finish:	Powder Coating
Color:	Matte Black
Dimensions:	942 x 112 x 590 mm
Fit Screen Size:	13"-27"
Fit Curved TV:	Yes
Screen Quantity:	2
Weight Capacity (per screen):	2~6.5 kg
VESA Compatible:	75x75, 100x100
Tilt Range:	+90°~-45°
Swivel Range:	+90°~-90°
Screen Rotation:	+180°~-180°
Arm Full Extension:	450 mm
Installation:	Grommet, Clamp
Suggested Desktop Thickness:	Clamp: 10~83mm Grommet: 10~83mm
USB Port:	No
Multi-Media Port:	No
Cable Management:	Yes
Anti-theft:	No
Accessory Kit Package:	Normal/Ziplock Polybag, Compartment Polybag

LOGISTICS DATA

Article number:	ARM-1300
Brand:	DELTAACO
EAN Code:	7333048044136
Country of origin:	China
Custom tariff number:	83024900
Master carton packing unit:	4 pcs
Master carton gross weight:	18.47 kg
Master carton dimensions:	69 x 36.4 x 32 cm
Package type:	Box
Package weight:	4.38 kg
Package dimensions:	17.2 x 15 x 67.5 cm

PACKAGING

Package contents:	Wall mount, mounting kit for wall, mounting kit for display and manual
-------------------	--

13"-27" display
DUAL DESK MOUNT WITH GAS SPRING
FULL MOTION



-Image may differ from the actual package

Drawing

