



## 84-inch Class 4K UHD LCD Display TH-84LQ70LU

### ● Product specification (design and specification subject to change without notice)

#### ■ DISPLAY PANEL

Screen Size (Diagonal)	84.0-inch (2134.6 mm)
Panel Type	IPS / Edge-LED
Aspect Ratio	16:9
Effective Display Area (W x H)	73.3" x 41.3" (1860 x 1047 mm)
Number of Pixels (H x V)	3840 x 2160 pixels
Brightness	500 cd/m <sup>2</sup>
Contrast Ratio	1400:1
Dynamic Contrast Ratio	500000:1
Response Time	12 ms (G to G)
Viewing Angle (Horizontal / Vertical)	178° / 178°
Panel Life Time	approx. 50000 hours (typ)*

\* When the panel lifetime is at 50% of the brightness under the condition of 25 degrees Celsius (+/- 2 degrees Celsius).  
Panel lifetime may be shortened due to usage environment.

#### ■ CONNECTION TERMINAL

HDMI IN	HDMI TYPE A Connector x 4 HDMI 1 * <sup>1</sup> / HDMI 2 * <sup>1</sup> (Up to 4K@50/60 Hz) HDMI 3 * <sup>1</sup> / HDMI 4 * <sup>2</sup> (Up to 2K@50/60 Hz)
DisplayPort IN	DisplayPort x 1 (DP1.2a) * <sup>2</sup>
DVI-D IN	DVI-D 24 Pin x 1
AUDIO IN (L/R)	Stereo mini jack (M3) x 1 set (shared with PC IN)
PC IN	Mini D-sub 15Pin x 1 (Female) * <sup>3</sup>
AUDIO IN (L/R)	Stereo mini jack (M3) x 1 set (shared with DVI-D IN)
Function Slot	SLOT NX x 2 * <sup>4</sup> (Vacant)

\*<sup>1</sup> : HDCP1.4 supported, Embedded audio supported

\*<sup>2</sup> : HDCP1.3 supported, Embedded audio supported

\*<sup>3</sup> : RGB / YPbPr switcable

\*<sup>4</sup> : Option 3G-SDI terminal board TY-TBN03G: (w/ active through)

#### ■ CONTROL

SERIAL IN	D-sub 9pin x 1 * <sup>1</sup>
LAN	RJ45 x 1 100BASE-TX * <sup>2</sup>
DIGITAL LINK	RJ45 x 1 100BASE-TX (shard with LAN)

\*<sup>1</sup> : RS-232C compatible

\*<sup>2</sup> : PLink compatible (shared with DIGITAL LINK)

#### ■ AUDIO

AUDIO OUT	Stereo mini jack (M3) x 1
Built in Speaker	20 W [10 W + 10 W] (10%THD)

#### ■ ELECTRICAL

Power Requirements	110 - 127 V, 50 / 60 Hz
Power Consumption	560 W (574 VA) 1911 BTU
On Mode Average Power Consumption*	420 W
Power Off Condition	0.3 W
Stand-by Condition	0.5 W
Network Stand-by Mode	3 W

\*Based on IEC 62087 Ed.2 measurement method

#### ■ MECHANICAL

Dimensions (W x H x D)	76.7" x 44.9" x 3.7" (1949 x 1141 x 92 mm)
Carton Dimensions (W x H x D)	84.9" x 53.6" x 15.9" (2156 x 1361 x 404 mm)
Weight	approx. 185.2 lb (84 kg)
Gross Weight	approx. 234 lb (106 kg)
Cabinet Material / Color	Metal / Black
Protection Glass	No
Mount Screw Holes	Diameter: M16, Valid screw depth: 1.1" (26 mm)
Eyebolt Screw Holes	Diameter: M12, Valid screw depth: 1" (25 mm)

#### ■ INSTALLATION

Orientation	Landscape / Portrait
Tilting Angle	10 degrees with landscape setting / 5 degrees with portrait setting

\*Please contact your sales representative with regard to the tilt angle before installation.

#### ■ ENVIRONMENTAL

Operating Environment	Temperature	: 32°F to 104°F (0°C to 40°C) * <sup>1</sup>
		: 32°F to 95°F (0°C to 35°C) * <sup>2</sup>
	Humidity	: 20% to 80% (No condensation)
Storage Environment	Altitude	: 0 to 7874 feet (0 to 2400 m) * <sup>3</sup>
	Temperature	: -4°F to 140°F (-20°C to 60°C)
	Humidity	: 20% to 80% (No condensation)

\*<sup>1</sup> : for up to 4593 ft (1400 m) altitude \*<sup>2</sup> : for between 4593 ft (1400 m) and 7874 ft (2400 m) altitude

\*<sup>3</sup> : When using the unit where it is 4593 ft (1400 m) and higher and below 7874 ft (2400 m) above sea level, make sure [High altitude mode] is set to [ON].

UPC Code	885170259409
----------	--------------

**MAIN FEATURE**

Automatic Picture Position	Yes
4 Input Multi Display (up to FHD)	Yes
Screen Saver	Yes
PC Power Management	Yes
HDMI Power Management	Yes
DVI-D Power Management	Yes
ECO Mode	Yes
Button Lock	Yes
Remote-control Lock	Yes
Power-on Screen Delay	Yes
Input Search	Yes
Local Dimming	Yes
Operating Time*	24 h/day

\*In case of running for a long time, the moving image is recommended to be displayed. If you display a still picture for an extended period, the image retention might remain on the screen. However, image retention can gradually disappear by displaying a movie images.

**OPTIONAL ACCESSORIES**

3G-SDI Terminal Board	TY-TBN03G*1
Pedestal	TY-ST85P12
Mobile Stand	TY-ST85PB1
Wall-hanging Bracket	TY-WK85PV12
Ceiling-hanging Bracket	TY-CE85PS12*2
Digital Interface Box	ET-YFB100G

\*1 2 boards (total 3G-SDI x 4) required for 4K@50/60 Hz,  
1 board (total 3G-SDI x 2) required for up to 4K@25/30 Hz  
\*2 Tilt angle limited to 10 degree maximum

**STANDARD (CERTIFICATIONS)**

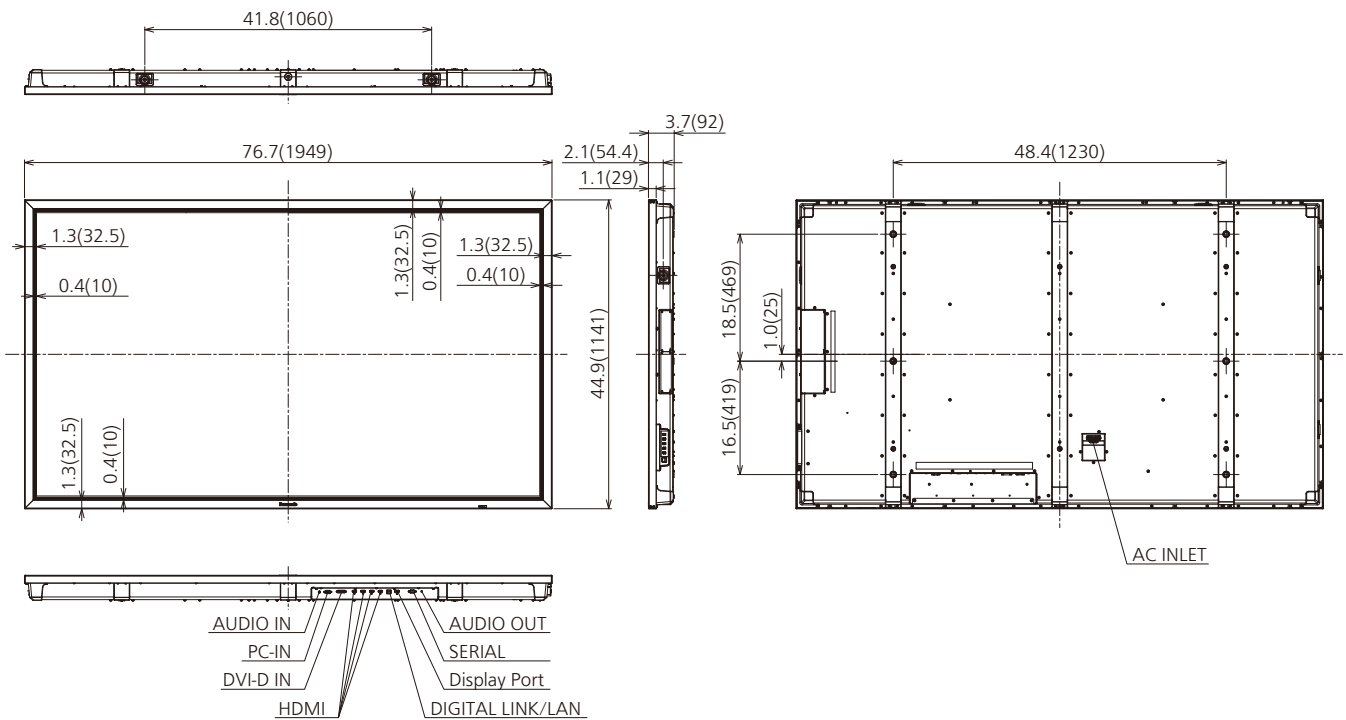
Safety Regulations	UL60065, CAN/CSA22.2 No 60065:03
Radiation Regulations	FCC Part15 Class B, ICES-003

**INCLUDED ACCESSORIES**

AC power cord (Approx. 118" (3 m)), Operating Instructions (Book), (CD-ROM), Remote Control Transmitter, Batteries x 2, Clamper, Eyebolt cap, Eyebolt, Panasonic badge, Panasonic badge attachment plate, Allen wrench

**DIMENSIONS**

Cautions: This drawing is not a scale  
Units : inches (mm)



**CONNECTION TERMINAL**



\* Specifications and appearance are subject to change without notice.

## List of correspondence signals

Following signal timing is preset to this unit.

These preset signals are written on EDID of the each input terminal.(Except for \*6)

In many cases, it is possible to receive the signals other than below with this unit's multi scan function.  
(Except for 4K signal)

✓ : Preset signal

Signal name	H-Freq. (kHz)	V-Freq. (Hz)	Dot clock frequency (MHz)	PC IN	HDMI 1 HDMI 2	HDMI 3 HDMI 4 DVI-D IN	DIGITAL LINK	Display Port
525 (480) / 60i	15.73	59.94	13.5	✓				
625 (576) / 50i	15.63	50.00	13.5	✓				
525 (480) / 60i*2	15.75	60.00	27.0		✓	✓	✓	
625 (576) / 50i	15.63	50.00	27.0		✓	✓	✓	
525 (480) / 60p*2	31.50	60.00	27.0	✓	✓	✓	✓	
625 (576) / 50p	31.25	50.00	27.0	✓	✓	✓	✓	
750 (720) / 60p*2	45.00	60.00	74.25	✓	✓	✓	✓	✓
750 (720) / 50p	37.50	50.00	74.25	✓	✓	✓	✓	✓
1125 (1080) / 60i*1*2	33.75	60.00	74.25	✓	✓	✓	✓	
1125 (1080) / 50i*1	28.13	50.00	74.25	✓	✓	✓	✓	
1125 (1080) / 24p*1*2	27.00	24.00	74.25	✓	✓	✓	✓	
1125 (1080) / 25p*1	28.13	25.00	74.25	✓	✓	✓	✓	
1125 (1080) / 30p*1*2	33.75	30.00	74.25	✓	✓	✓	✓	
1125 (1080) / 60p*1*2	67.50	60.00	148.5	✓	✓	✓	✓	✓
1125 (1080) / 50p*1	56.25	50.00	148.5	✓	✓	✓	✓	✓
640 × 480	31.47	59.94	25.18	✓	✓	✓	✓	✓
800 × 600	37.88	60.32	40.00	✓	✓	✓	✓	✓
1024 × 768	48.36	60.00	65.00	✓	✓	✓	✓	✓
1280 × 768	47.70	60.00	80.14	✓	✓*6	✓	✓	✓
1366 × 768	48.39	60.04	86.71	✓	✓*6	✓	✓	✓
1280 × 1024	63.98	60.02	108.0	✓	✓	✓	✓	✓
1600 × 900	60.00	60.00	108.0	✓	✓	✓	✓	✓
1920 × 1080	67.50	60.00	148.5	✓	✓	✓	✓	✓
1920 × 1200	74.04	59.95	154.0	✓	✓	✓	✓	✓
<b>4K signal</b>								
3840 / 24p*2	54.00	24.00	297.0		✓		✓	✓
3840 / 25p	56.25	25.00	297.0		✓		✓	✓
3840 / 30p*2	67.50	30.00	297.0		✓		✓	✓
4096 / 24p*2	54.00	24.00	297.0		✓		✓	
3840 / 50p	112.5	50.00	594.0		✓		✓*4	✓*5
3840 / 60p*2	135.0	60.00	594.0		✓		✓*4	✓*5
4096 / 50p	112.5	50.00	594.0		✓		✓*4	
4096 / 60p*2	135.0	60.00	594.0		✓		✓*4	
<b>4K (Dual Link)signal</b>								
3840 / 50p	112.5	50.00	297.0		✓*3			
3840 / 60p*2	135.0	60.00	297.0		✓*3			
4096 / 50p	112.5	50.00	297.0		✓*3*6			
4096 / 60p*2	135.0	60.00	297.0		✓*3*6			

\*1: Based on SMPTE 274M standard.

\*2: Compatible with frame frequency 1/1.001

\*3: The format supports Dual Link.

\*4: Supported in YCBCR 4:2:0 format

\*5: Supported with MST (Multi Stream Transport) only

\*6: Not written on EDID

In some cases, these signals may not be displayed when setting Resolution on your PC.

### Note

- Signals without above specification may not be displayed properly.
- For the signals when 3G-SDI Terminal Board with Audio is installed, refer to the manual included with it.