



Analog

PTZ

HCP-6320HA

1080p Analog HD 32x PTZ Dome Camera



Key Features

- Full HD (1920 x 1080, 30fps) resolution
- 0.2Lux@F1.6, B/W : 0.01Lux@F1.6
- Powerful 32x zoom (4.44 ~ 142.6mm), Digital 16x
- Day & Night (ICR), Defog, WDR (120dB), SSNRIII
- Preset 700°/sec, Azimuth
- IP66 / IK10 (HCP-6320HA), IK10 (HCP-6320A + SHP-3701H only)
- RS-485, Coax control

Compatible Devices



SBP-300CM



SBP-300PM



SBP-300KM



SBP-300WM1



SBP-300LM



SBP-390WM2



SBP-300WM



SBP-300B



SPB-PTZ7



SBP-300NB

HCP-6320HA

1080p Analog HD 32x PTZ Dome Camera



Specifications

Video

Imaging Device	Size	1/2.8"
	Type	CMOS
Resolution		1920x1080
Min. Illumination	Color(1/30sec, 30IRE)	0.3
	BW(1/30sec, 30IRE)	0.03
Video Out		CVBS: 1.0Vp-p / 75Ω composite,720x480(N),720x576(P) for installation, BNC: AHD

Lens

Focal Length (mm)		4.44~142.6
Optical Zoom Ratio		32x
Max Aperture Ratio (F number)	Wide	1.6
	Tele	4.4
Min. Object Distance		1.4m(4.59ft)
Focus Control		Manual, Auto, One push
Lens Type		DC auto iris(IR corrected)

Pan / Tilt / Rotate

Pan / Tilt / Rotate Range	Pan	0°~360°
	Tilt	-15° ~195°
Pan Speed	Preset	700°/sec
	Manual	0.024°/sec~200°/sec
Tilt Speed	Preset	700°/sec
	Manual	0.024°/sec~200°/sec
Preset Accuracy		±0.2°

Operational

Day & Night	Auto(ICR)
Backlight Compensation	BLC, HLC, WDR
Wide Dynamic Range (dB)	120

Operational

Digital Noise Reduction		SSNRIII
Digital Image Stabilization		Support
Defog		Support
Motion Detection	Quantity	1ea
	Shape	Rectangular zones
Privacy Masking	Quantity	12ea
	Shape	Rectangular zones
Gain Control		Low, Middle, High
White Balance		ATW, AWC, Manual, Indoor, Outdoor
Electronic Shutter	Mode	Auto, ESC, Manual
Video Rotation		Flip
Serial Interface		RS-485
Alarm Interface	In/Out	Input 4ea, Output 2ea
Alarm Triggers		Analytics
Coaxial Protocol		ACP

Analytics

Analytics Events	Normal	Motion detection, Virtual area(Appear, Disappear), Virtual area(Enter/Exit), Virtual line
------------------	--------	---

Environmental & Electrical

Operating Condition	Temperature	-50°C~+55°C(-40°F~+140°F)
	Humidity	0~90% RH(non-condensing)
Storage Condition	Temperature	-50°C~+60°C
	Humidity	0~90% RH(non-condensing)
Input Voltage		24VAC
Power Consumption	24VAC	Max 24W(Heater Off), 65W(Heater On)

Mechanical

Color	Ivory
Material	PC(Polycarbonate)
Product Dimensions	Ø223.4x293.6mm(8.79x11.56")
Product Weight	3300g(7.28 lb)

Certifications & Standards

Environment	IEC 60529 IP66, IEC 62262 IK10
-------------	--------------------------------

HCP-6320HA

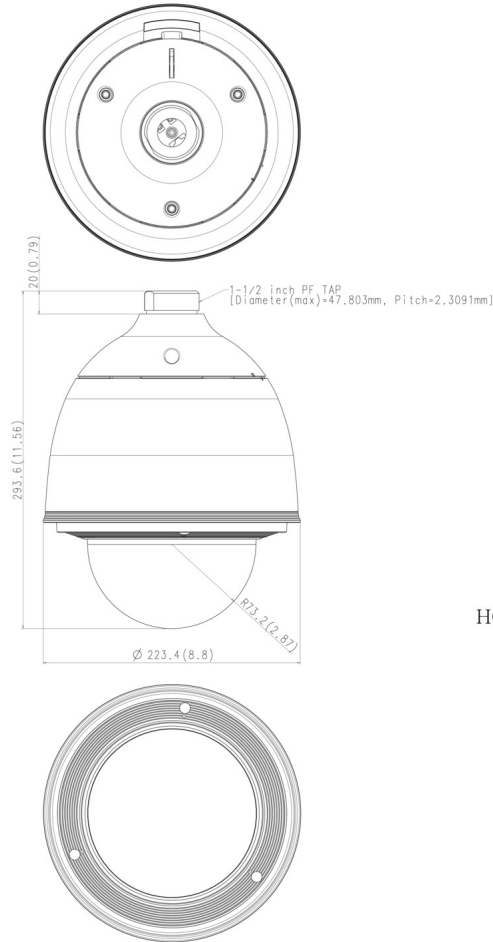
HCP-6320HA

1080p Analog HD 32x PTZ Dome Camera



CAD

Unit: mm [inch]



HCP-6320H
Unit : mm (inch)