

Windows help system

The Windows help system provides you with detailed information about using the Windows operating system.

To access the Windows help system, do the following:

Open the Start menu and then click or tap **Get Started** to get more details. You can also enter **Get Started** or what you're looking for in the search box on the taskbar. You'll get suggestions and answers to your questions about Windows and the best search results available from your PC and the Internet.

To perform system recovery after a serious error in Windows 10, click or tap the Start button and select **Settings** → **Update & security** → **Recovery**. Then, follow the instructions on the screen for system recovery.

ATTENTION: The Windows operating system is provided by Microsoft Corporation. Please use it in accordance with the **END USER LICENSE AGREEMENT (EULA)** between you and Microsoft. For any question related to the operating system, please contact Microsoft directly.

The following information refers to ideacentre Y720 machine type:
90H2 [Y720 Cube-15ISH/Energy Star] / 90H3 [Y720 Cube-15ISH/None Energy Star]

The descriptions in this guide might be different from what you see on your computer, depending on the computer model and configuration.
Product design and specifications may be changed without notice.

Lenovo, the Lenovo logo and ideacentre are trademarks of Lenovo in the United States, other countries, or both.
Windows is a trademark of the Microsoft group of companies.
Other company, product, or service names may be trademarks or service marks of others.

© Copyright Lenovo 2016. LIMITED AND RESTRICTED RIGHTS NOTICE: If data or software is delivered pursuant to a General Services Administration "GSA" contract, use, reproduction, or disclosure is subject to restrictions set forth in Contract No. GS-35F-05925.



Accessing other manuals

The *Important Product Information Guide* has been preloaded onto your computer. To access this guide, do the following:

For models come with Lenovo Companion:

1. Open the Start menu and then click or tap **Lenovo Companion**.
2. Click or tap **Support** → **User Guide**.

For models without Lenovo Companion:

Open the Start menu and then click or tap **Manual** to access this guide.

For models without preinstalled operating systems:

Go to the Lenovo Support Web site to access your manuals. See "Downloading manuals" for additional information.

Downloading manuals

The latest electronic publications for your computer are available from the Lenovo Support Web site. To download the publications, go to: www.lenovo.com/UserManuals.

Service and Support information

The following information describes the technical support that is available for your product, during the warranty period or throughout the life of your product. Refer to the Lenovo Limited Warranty for a full explanation of Lenovo warranty terms. See "Lenovo Limited Warranty notice" later in this document for details on accessing the full warranty. If you purchased Lenovo services, refer to the following terms and conditions for detailed information:

- For Lenovo Warranty Service Upgrades or Extensions, go to: <http://support.lenovo.com/lwsu>
- For Lenovo Accidental Damage Protection Services, go to: <http://support.lenovo.com/ladps>
- Online technical support is available during the lifetime of a product at: <http://www.lenovo.com/support>

Replacing or upgrading hardware

Safety information for replacing CRUs

Do not open your computer or attempt any repairs before reading the "Important safety information" in the *Safety, Warranty, Environment, Recycling Information Guide* and *Important Product Information Guide* that was included with your computer.

If you no longer have this copy of the *Safety, Warranty, Environment, Recycling Information Guide* and *Important Product Information Guide*, you can obtain one online from the website at <http://www.lenovo.com/UserManuals>.

Pre-disassembly instructions

Before proceeding with the disassembly procedure, make sure that you do the following:

1. Turn off the power to the system and all peripherals.
2. Unplug all power and signal cables from the computer.
3. Place the system on a flat, stable surface.

CRUs for your computer include:

- keyboard
- mouse
- power cord
- optical drive
- memory module
- hard disk drive

The parts listed below are optional CRUs for experienced users:

- graphics card
- fans
- heat sink
- power supply
- Wi-Fi card

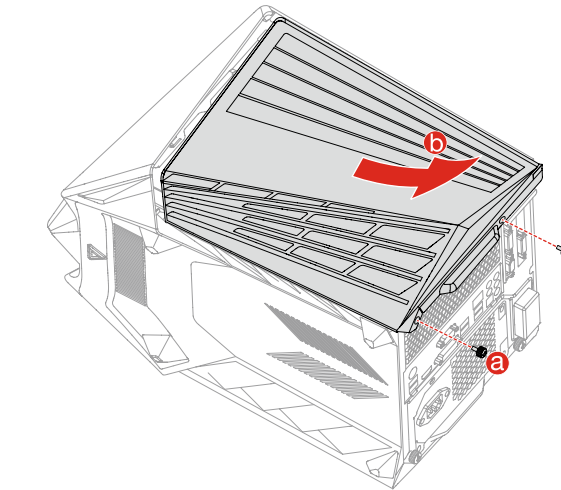
Instructions for replacing these parts can be found in the *Hardware Maintenance Manual* from the Lenovo Support Web Site. To obtain a copy of the *Hardware Maintenance Manual*, go to: www.lenovo.com/UserManuals.

This part contains instructions for cleaning or replacing the following parts:

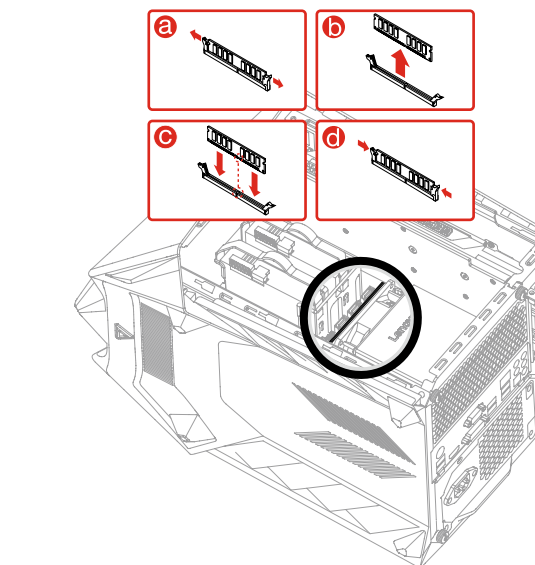
- Memory module (Follow steps: **1 2**)
- Hard disk drive (Follow steps: **1 3**)

Replacing or upgrading hardware

1 Removing the computer cover

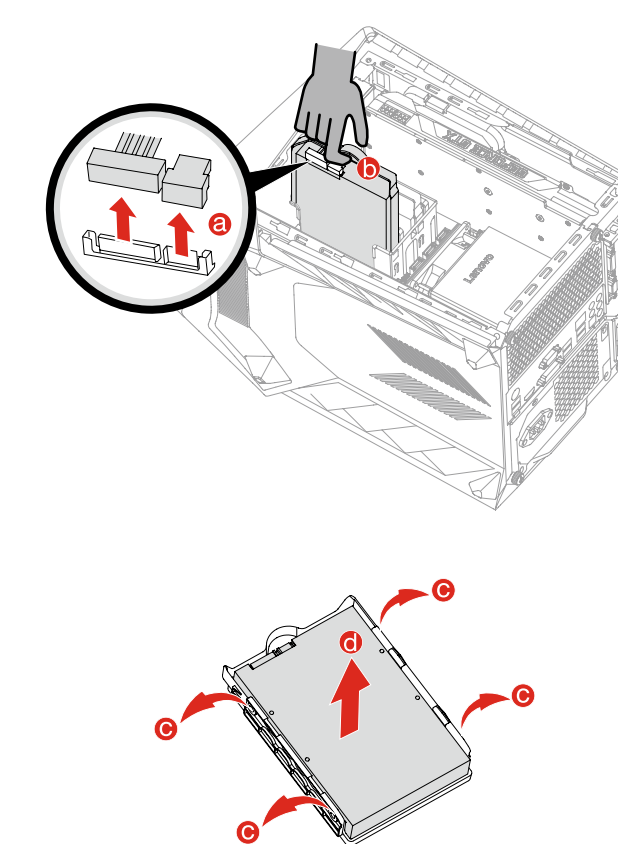


2 Replacing a memory module



Replacing or upgrading hardware

3 Replacing a hard disk drive

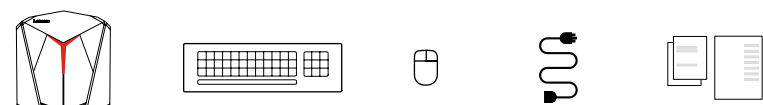


ideacentre Y720 Cube Quick Start Guide

Lenovo™

1 Unpacking

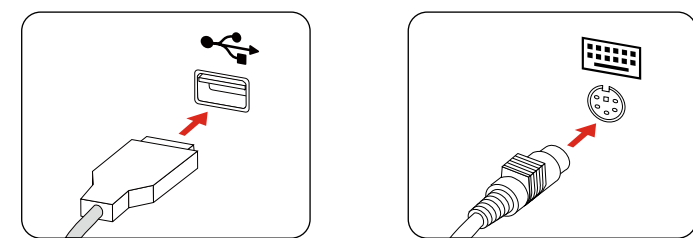
Computer Keyboard* Mouse* Power cord Publications



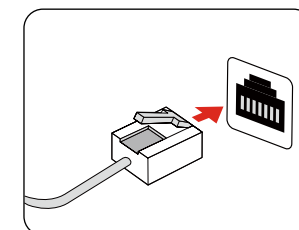
* Selected models only.

NOTE: Some models may contain items not listed here.

2 Connecting the keyboard and mouse



3 Connecting the Ethernet cable



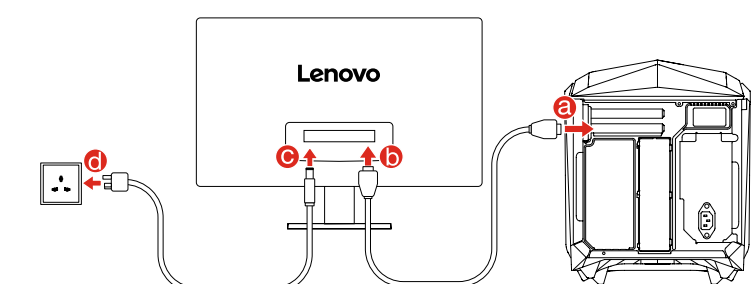
4 Choosing the right voltage

Selected models are equipped with a voltage selection switch. You can find it at the rear of your computer. Models without a voltage selection switch control voltage automatically.

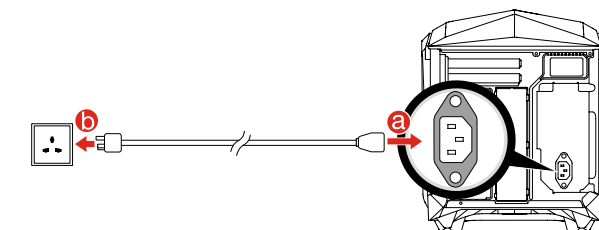
If the electricity supply range is 100-127 V AC, set the switch to 115 V. **1**
If the electricity supply range is 200-240 V AC, set the switch to 230 V. **2**



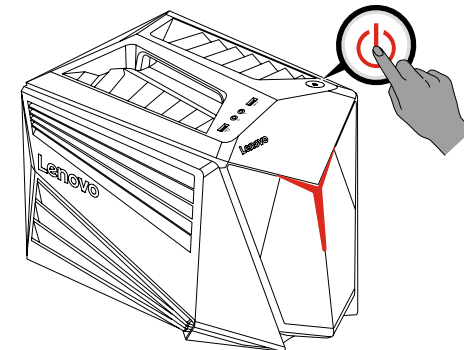
5 Connecting the monitor



6 Connecting the power cable



7 Turning on the computer



Connecting to the Internet

You need a contract with an Internet Service Provider (ISP) and some hardware in order to connect to the Internet. ISPs and the services they offer vary by country. Contact your ISP for services available in your country. Your computer supports wireless (selected models only) or wired networks that connect your computer to other devices.

Wired network connection

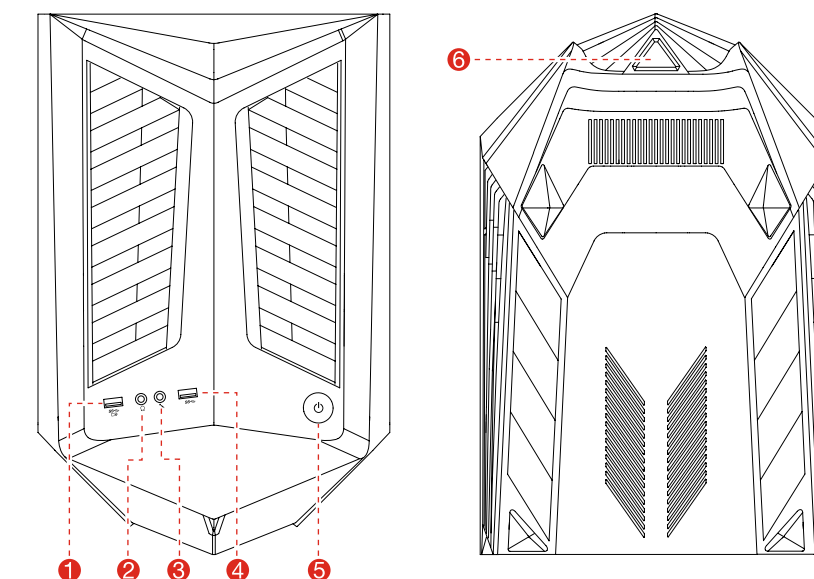
For wired networks, connect one end of an Ethernet cable (purchased separately) to the Ethernet connector on your computer, and then connect the other end to the network router or broadband modem. Consult your ISP for detailed setup instructions.

NOTE: Broadband modem and router installation procedures vary depending on the manufacturer. Follow the manufacturer's instructions.

Wireless network connection

For wireless networks, you can use the built-in Wi-Fi antenna to access your wireless home network. To connect your computer to the wireless network: Click or tap the network icon on the taskbar, then select the name of your router. Click or tap **Connect**, then follow the steps on the screen. Test the wireless network by opening your Web browser and accessing any Web site.

Top/Bottom view of the computer

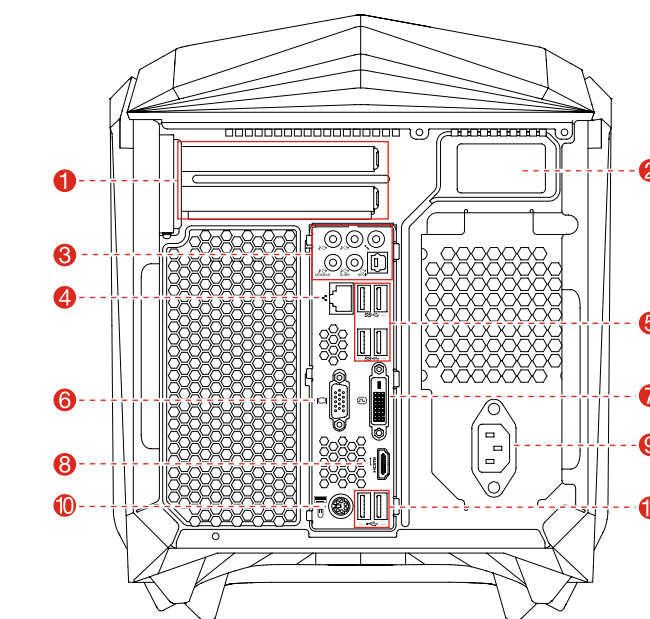


- 1 USB 3.0 connector/USB power off charging connector ¹
- 2 Headphone connector
- 3 Microphone connector
- 4 USB 3.0 connector
- 5 Power button
- 6 Xbox pairing button ²

¹ Selected models only.
² Works with an optional built-in dongle.

ATTENTION: Do not insert 3-inch discs into the optical drive.

Rear view of the computer



- 1 PCI Express X 16 adapter
- 2 Wi-Fi antenna ¹
- 3 Audio connectors
- 4 Ethernet connector
- 5 USB 3.0 connectors (4)
- 6 VGA connector
- 7 DVI connector
- 8 HDMI connector
- 9 Power connector
- 10 PS II connector
- 11 USB 2.0 connectors (2)

¹ Selected models only.

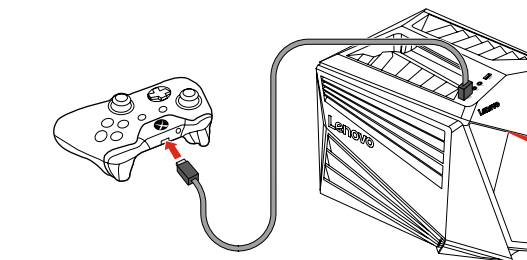
• - - - Oculus compatible USB connector (selected models only)

NOTE: If your model has two VGA monitor connectors, be sure to use the connector on the graphics adapter.

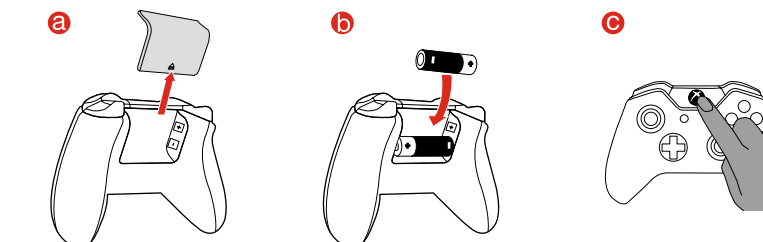
Using Xbox

NOTE: The Xbox controller shown in the illustrations below is only for demonstration and need to be purchased separately.

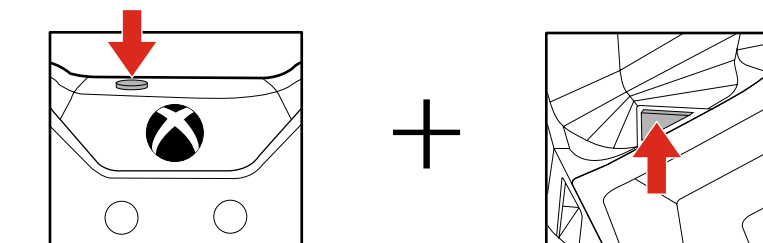
1. Connecting Xbox controller to your computer via Micro USB cable.



2. Connecting Xbox controller to your computer via built-in dongle.



1 Press and hold the pairing buttons from both the controller and computer for 3 seconds.



NOTE:
1. Press and hold the Nexus button for 1 second to activate the Xbox controller. **1**
2. The Nexus button will stay lit when connected. **1**