



VESA Wall Mount Arm (Silver)

PAD-WMAS

VESA Wall Mount Arm

The functional design of the VESA Wall Mount Arm in Silver is the perfect solution for your classroom, conference room, medical office, or any work environment that requires a secure, versatile wall mount for LED/LCD monitors and tablets. The mounting plate rotates 180 degrees to allow for either horizontal or vertical device orientation. Articulating arms smoothly extend from 2 inches to a maximum 14.4 inches. The mounting plate also tilts to allow for comfortable viewing from virtually anywhere in the room. This wall mount is compatible with all VESA mounts and holders – including CTA's popular PARAGON enclosures that fit a wide range of tablets.

Features Include:

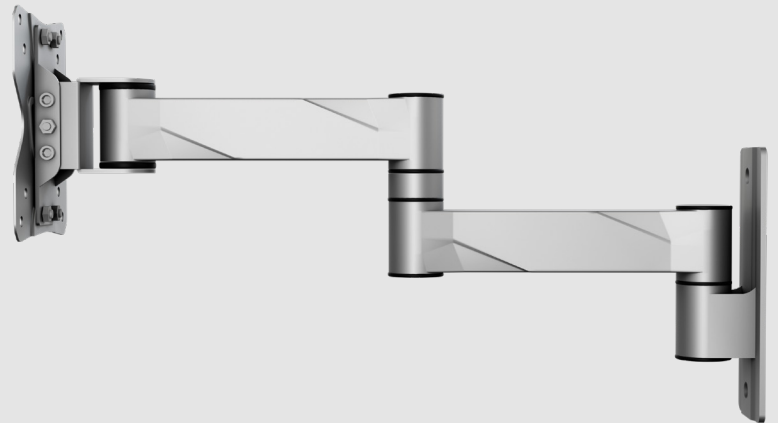
- 180-degree rotating holder and neck
- Mounts to wall using included hardware
- Holds up to 33lbs (15kg)
- VESA 75x75 or 100x100-millimeter mounting interface
- Attaches to any VESA-ready tablet case or other device

Specifications:

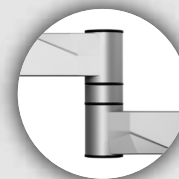
- Articulation range: 2 inches to 14.4 inches
- Wall mount dimensions: 2.09 x 5.90 inches
- Mounting plate dimensions: 4.53 x 4.72 inches

Package Includes:

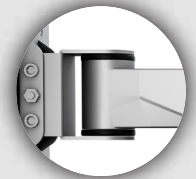
- (1) Wall mount with articulating arms and mounting plate
- (1) Set of mounting hardware



VESA 75x75 / 100x100
Compatible



Flexible Joints



Adjustable Hinge
for Portrait & Landscape

	Quantity	Width	Height	Depth	Weight	UPC Barcode
Packaging	-	-	-	-	-	656777019204
Master	-	-	-	-	-	10656777019201