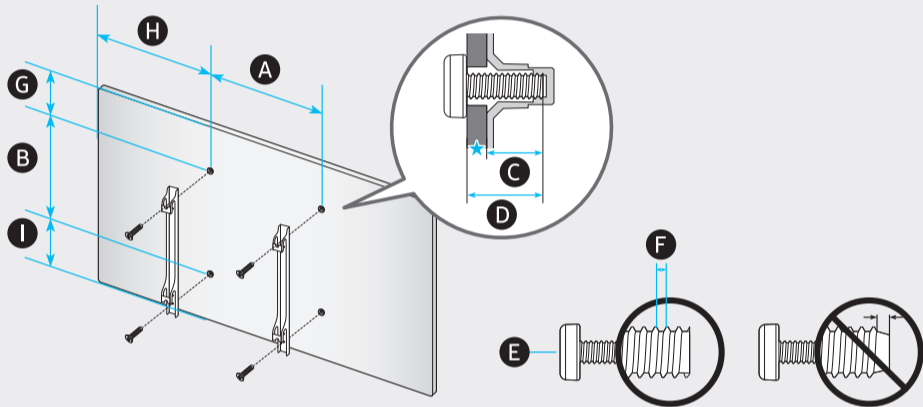


	A	B	C	D	E	F	G	H
QN50Q8*B	43.9 inches (1114.2 mm)	25.4 inches (644.6 mm)	2.1 inches (53.9 mm)	28.5 inches (723.0 mm)	9.4 inches (239.8 mm)	49.5 inches	30.2 lbs (13.7 kg)	39.9 lbs (18.1 kg)
QN55Q8*B	48.3 inches (1227.6 mm)	27.8 inches (706.7 mm)	2.2 inches (54.7 mm)	30.8 inches (783.4 mm)	10.1 inches (255.8 mm)	54.6 inches	39.5 lbs (17.9 kg)	46.3 lbs (21.0 kg)
QN65Q8*B	56.9 inches (1446.5 mm)	32.7 inches (829.8 mm)	2.2 inches (54.7 mm)	35.7 inches (905.7 mm)	11.4 inches (289.1 mm)	64.5 inches	53.1 lbs (24.1 kg)	61.3 lbs (27.8 kg)

*: 0-9, A-Z



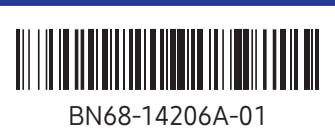
	VESA A x B (mm)	C (mm)	D	E x 4	F (mm)	G (inches)	H (inches)	I (inches)
QN50Q8*B	200 x 200	26-28	C + ★	M8	1.25	5.6	17.9	11.7
8.1						20.2	11.5	
QN65Q8*B	400 x 300					8.7	20.5	11.8

*: 0-9, A-Z

★: Wall-Mount Bracket

SAMSUNG

Quick Setup Guide (Unpacking and Installation Guide)

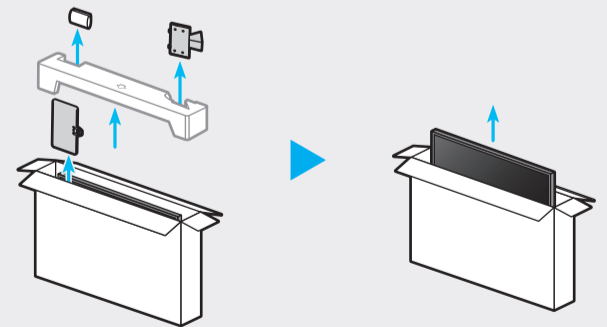


BN68-14206A-01

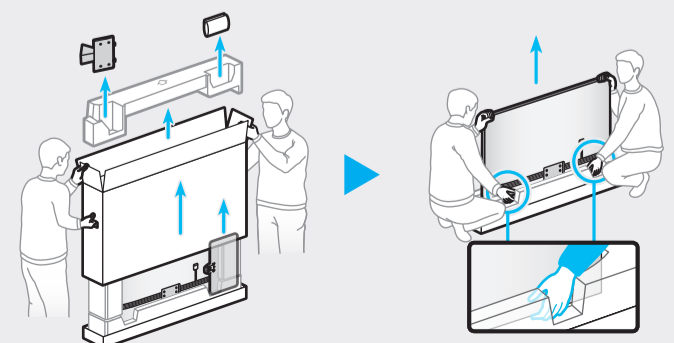


◀ Scan this QR code with your smart phone to see helpful videos.

50"

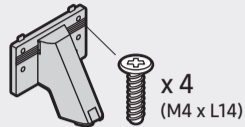
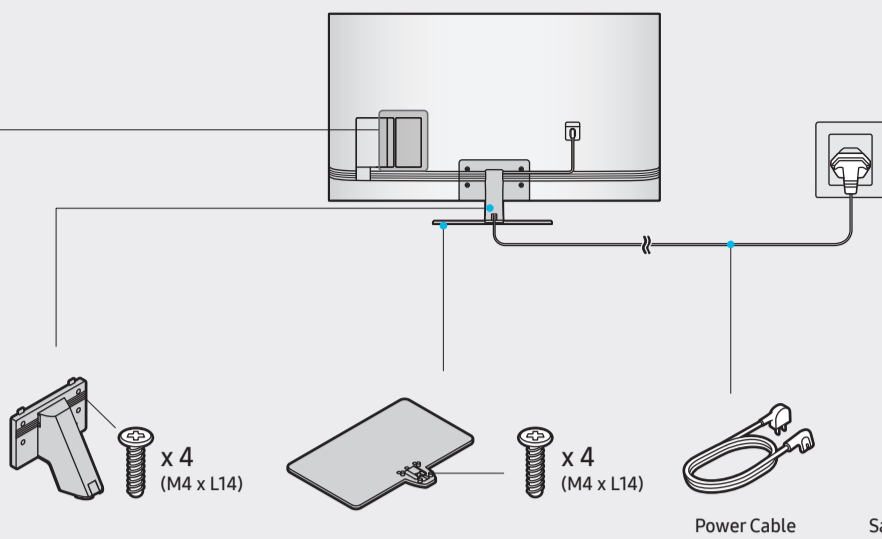


55"
-
65"





OPTICAL		
USB		USB
LAN		LAN
ANT		ANT
ARC		HDMI (eARC)
HDMI		HDMI



Power Cable

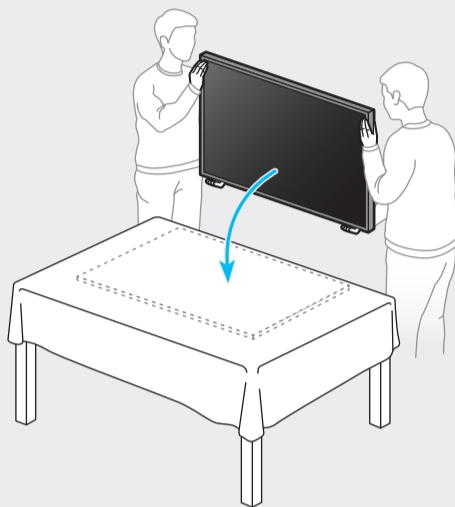


Samsung Smart Remote

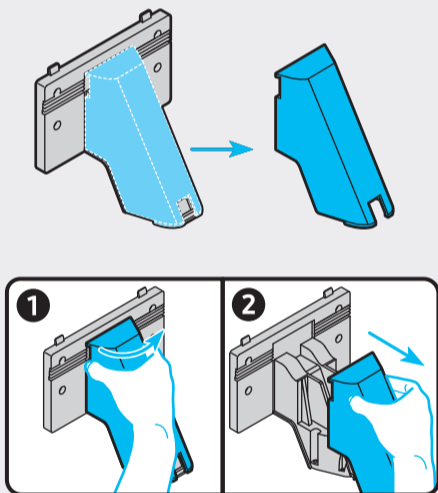


User Manual /
Regulatory Guide

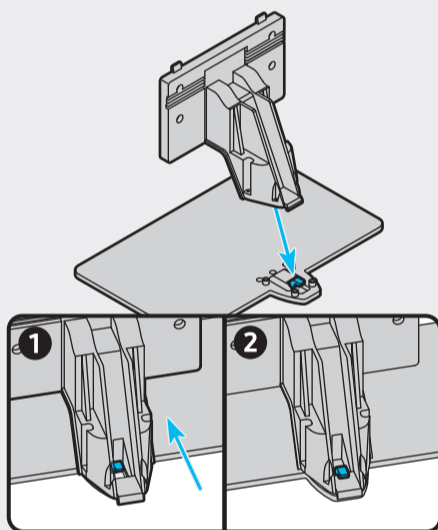
1



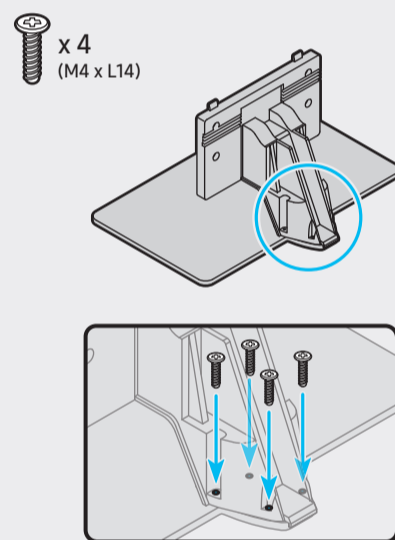
2



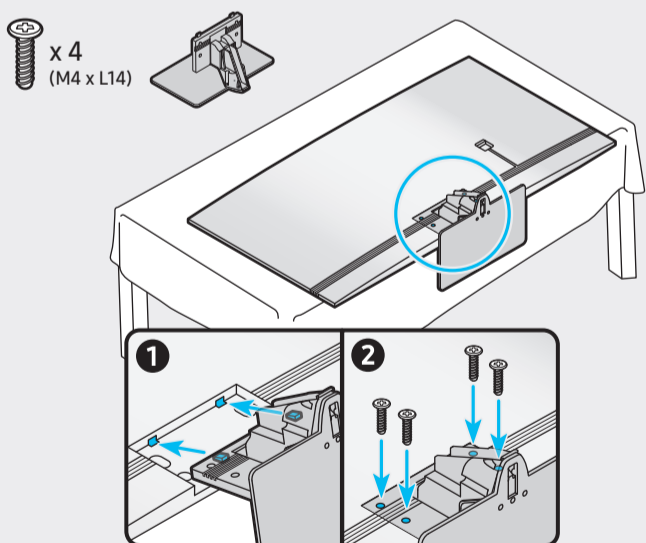
3



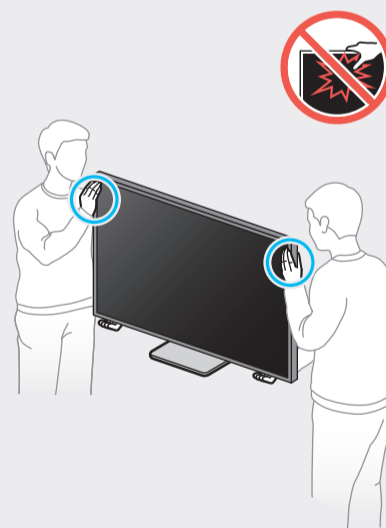
4



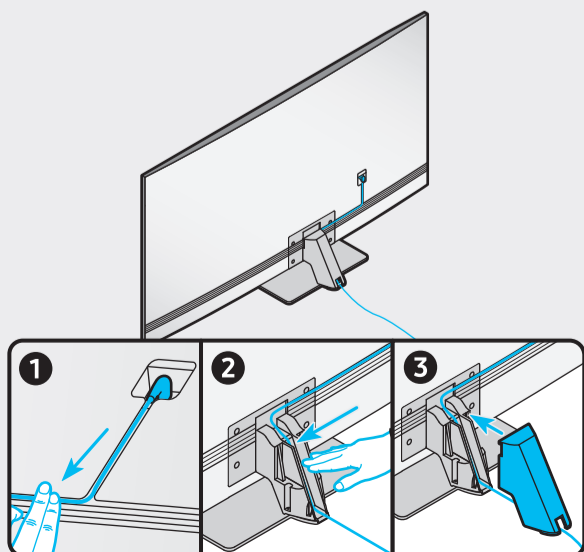
5



6



7



8

