



Cisco Video Surveillance 3620 and 6620 IP Camera Installation Guide

October 13, 2015

Cisco Systems, Inc.

www.cisco.com

Cisco has more than 200 offices worldwide. Addresses, phone numbers, and fax numbers are listed on the Cisco website at www.cisco.com/go/offices.

THE SPECIFICATIONS AND INFORMATION REGARDING THE PRODUCTS IN THIS MANUAL ARE SUBJECT TO CHANGE WITHOUT NOTICE. ALL STATEMENTS, INFORMATION, AND RECOMMENDATIONS IN THIS MANUAL ARE BELIEVED TO BE ACCURATE BUT ARE PRESENTED WITHOUT WARRANTY OF ANY KIND, EXPRESS OR IMPLIED. USERS MUST TAKE FULL RESPONSIBILITY FOR THEIR APPLICATION OF ANY PRODUCTS.

THE SOFTWARE LICENSE AND LIMITED WARRANTY FOR THE ACCOMPANYING PRODUCT ARE SET FORTH IN THE INFORMATION PACKET THAT SHIPPED WITH THE PRODUCT AND ARE INCORPORATED HEREIN BY THIS REFERENCE. IF YOU ARE UNABLE TO LOCATE THE SOFTWARE LICENSE OR LIMITED WARRANTY, CONTACT YOUR CISCO REPRESENTATIVE FOR A COPY.

The Cisco implementation of TCP header compression is an adaptation of a program developed by the University of California, Berkeley (UCB) as part of UCB's public domain version of the UNIX operating system. All rights reserved. Copyright © 1981, Regents of the University of California.

NOTWITHSTANDING ANY OTHER WARRANTY HEREIN, ALL DOCUMENT FILES AND SOFTWARE OF THESE SUPPLIERS ARE PROVIDED "AS IS" WITH ALL FAULTS. CISCO AND THE ABOVE-NAMED SUPPLIERS DISCLAIM ALL WARRANTIES, EXPRESSED OR IMPLIED, INCLUDING, WITHOUT LIMITATION, THOSE OF MERCHANTABILITY, FITNESS FOR A PARTICULAR PURPOSE AND NONINFRINGEMENT OR ARISING FROM A COURSE OF DEALING, USAGE, OR TRADE PRACTICE.

IN NO EVENT SHALL CISCO OR ITS SUPPLIERS BE LIABLE FOR ANY INDIRECT, SPECIAL, CONSEQUENTIAL, OR INCIDENTAL DAMAGES, INCLUDING, WITHOUT LIMITATION, LOST PROFITS OR LOSS OR DAMAGE TO DATA ARISING OUT OF THE USE OR INABILITY TO USE THIS MANUAL, EVEN IF CISCO OR ITS SUPPLIERS HAVE BEEN ADVISED OF THE POSSIBILITY OF SUCH DAMAGES.

Cisco and the Cisco logo are trademarks or registered trademarks of Cisco and/or its affiliates in the U.S. and other countries. To view a list of Cisco trademarks, go to this URL: www.cisco.com/go/trademarks. Third-party trademarks mentioned are the property of their respective owners. The use of the word partner does not imply a partnership relationship between Cisco and any other company. (1110R)

Internet Protocol (IP) addresses and phone numbers used in this document are not intended to be actual addresses and phone numbers. Any examples, command display output, network topology diagrams, and other figures included in the document are shown for illustrative purposes only. Any use of actual IP addresses or phone numbers in illustrative content is unintentional and coincidental.

© 2015 Cisco Systems, Inc. All rights reserved.



Preface	i
Introduction	i
Organization	i
Obtaining Documentation, Obtaining Support, and Security Guidelines	i

CHAPTER 1

Overview	1-1
Introduction	1-1
Package Contents	1-1
IP Camera Physical Details	1-2

CHAPTER 2

Camera Installation	2-1
Installation Guidelines	2-1
Warnings Before Installation	2-1
IP Camera Installation	2-4
Mounting the IP Camera Directly to a Surface	2-4
Mounting the IP Camera Flush with a Surface	2-7
Mounting the IP camera with a Vandal Resistant Enclosure	2-10

CHAPTER 3

Performing the Initial Setup of the IP Camera	3-1
--	------------

CHAPTER 4

Camera Management	4-1
Understanding the IP Camera User Interface	4-1
IP Camera Window Links	4-1
IP Camera Windows	4-2
Adjusting the IP Camera Focus and Zoom	4-3
Powering the IP Camera On or Off	4-4
Resetting the IP Camera	4-4
Viewing Live Video	4-5

INDEX



Preface

Introduction

This document provides information about installing and deploying the Cisco Video Surveillance 3620 and 6620 IP Cameras.

Organization

This manual is organized as follows:

Chapter 1, “Overview”	Provides an overview of the IP camera and its features.
Chapter 2, “Camera Installation”	Provides instructions for physically installing the IP camera.
Chapter 3, “Performing the Initial Setup of the IP Camera”	Provides instructions for performing the initial network setup of the IP camera.
Chapter 4, “Camera Management”	Provides instructions for accessing and understanding the IP camera user interface, adjusting its focus and zoom, powering the IP camera on and off, and resetting the IP camera.

Obtaining Documentation, Obtaining Support, and Security Guidelines

For information about obtaining documentation, submitting a service request, and gathering additional information, see the monthly What’s New in Cisco Product Documentation, which is available at:

<http://www.cisco.com/en/US/docs/general/whatsnew/whatsnew.html>

Subscribe to the What’s New in Cisco Product Documentation as a Really Simple Syndication (RSS) feed and set content to be delivered directly to your desktop using a reader application. The RSS feeds are a free service and Cisco currently supports RSS version 2.0.



Overview

This chapter describes the Cisco Video Surveillance 3620 and 6620 IP Cameras, and includes the following topics:

- [Introduction, page 1-1](#)
- [Package Contents, page 1-1](#)
- [IP Camera Physical Details, page 1-2](#)

Introduction

The Video Surveillance 3620 and 6620 IP Cameras are high-definition, versatile video endpoints that are designed for indoor use and capable of providing situational information beyond basic video streaming. Video from the camera can be streamed at 1.3MP resolution at up to 30 fps (3620) or 1080p resolution at up to 30 fps (6620). With a dynamic range, a clear picture can be captured in scenes containing harsh contrast in lighting. Onboard audio capabilities also allow for two way communications and monitoring and alarming on audio triggers. The cameras are equipped with a motorized focus and zoom lens for easy setup and deployment. Additionally, these cameras can run applications, making them a versatile and ideal platform to add specific functionality for customized deployments.

Package Contents

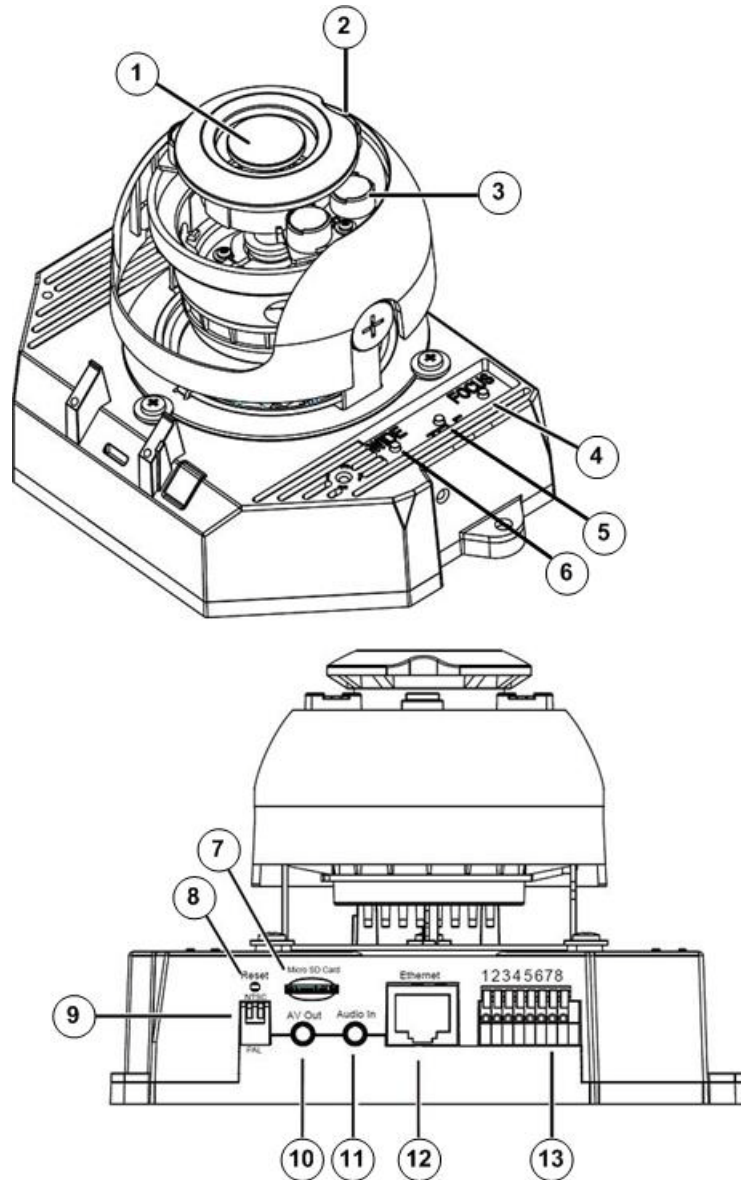
The Cisco Video Surveillance 3620 and 6620 IP Camera packages includes the following items:

- Cisco Video Surveillance 3620 or 6620 IP Camera (1)
- Black cover (1)
- Installation template and alignment sticker (1)
- Screws for securing the IP camera to a wall or ceiling, M4 x 32 (3)
- Screws for optional ceiling tile bracket, M4 x 35 (4)
- Wall Plug (3)
- Ethernet Cable (1)
- Cisco documentation pointer card (1)
- Cisco RoHS document (1)
- Extra set of labels (3)
- Loosen screws warning label (1)

IP Camera Physical Details

Figure 1-1 and the table that follows describe the physical features of the 3620 and 6620 IP camera.

Figure 1-1 IP Camera Details



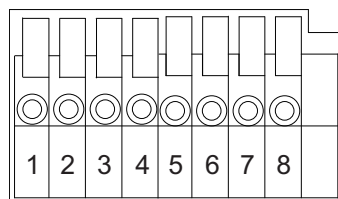
1	Varifocal lens	IP camera lens that changes focus as the focal length changes.
2	Light sensor	Senses the level of ambient light to determine when to switch day/night mode.
3	IR LEDs	Provide infrared illumination when the IP camera is in Night mode.
4	Focus button	After using the Tele and Wide buttons to set the zoom, press to automatically adjust the focus of the IP camera.

5	Tele (zoom in) button	Press to zoom in the IP camera.
6	Wide (zoom out) button	Press to zoom out the IP camera.
7	micro SD card slot	Supports a micro SD memory card for video storage.
8	Recessed Reset button	Recessed button that reboots the IP camera or resets it to a default state. You can use a pin or paper clip to depress it. It can be used any time that the IP camera is on and can have various effects, as described in the “Resetting the IP Camera” section on page 4-4 .
9	Video output switches.	The left switch is reserved for future use. The right switch allows setting these options for the video output: <ul style="list-style-type: none"> • NTSC (switch up)—Switches camera operation to the National Television System Committee (NTSC) 60 Hz standard. • PAL (switch down)—Switches camera operation to the Phase Alternating Line (PAL) 50 Hz standard.
10	Audio/Video out (green)	Allows the connection of an optional Y cable or mini cable with BNC connector. You can connect a video monitor to the mini cable with BNC connector. Both cables are included in the optional audio/video cables accessory kit can be purchased from Cisco (Cisco part number CIVS-AVCABLE).
11	Microphone In (pink)	Connection for an external microphone.
12	Ethernet 10/100 RJ45 socket	Accepts a standard LAN cable to connect the IP camera to a 10/100BaseT router or switch.
12	GPIO Terminal Block	General purpose input/output (GPIO) terminal block that is used to connect external input and output devices. For more information, see Figure 1-2 .

General Purpose I/O Terminal Block

[Figure 1-2](#) shows the pin locations and descriptions.

Figure 1-2 GPIO Terminal Block Pin Locations and Descriptions



Pin	Description
1	DC 12V–
2	DC 12V+
3	AC 24V_2
4	AC 24V_1
5	DI– (GND)
6	DI+ ¹
7	DO– ¹
8	DO+ (+12V)

1. The maximum output load from pins 7 and 8 is 50mA.



Camera Installation

This chapter provides information and instructions for installing the Cisco Video Surveillance 3620 and 6620 IP Camera, and includes the following topics:

- [Installation Guidelines, page 2-1](#)
- [Warnings Before Installation, page 2-1](#)
- [IP Camera Installation, page 2-4](#)

Installation Guidelines

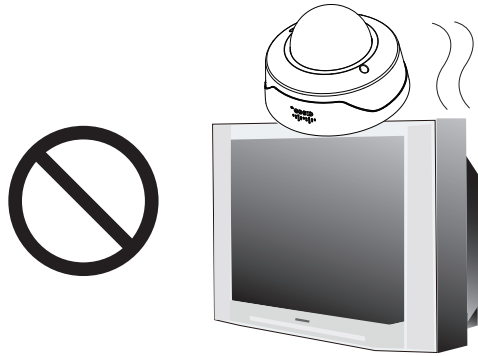
This section describes how to install the IP camera. Before installing, review these guidelines:

- The IP camera requires a network cable and a connection to a standard 10/100BaseT router or switch. To power the IP camera with Power over Ethernet (PoE), a switch must be 802.3af compliant.
- If you are using the IP camera on a network connection that does not provide PoE, you must use a Cisco 12 VDC power adapter (Cisco part number CIVS-PWRPAC-12V) or a third-party 24 VAC power adapter.
- If you are using an external speaker, microphone, input device, or output device, you must configure additional settings after installing and performing the initial set up of the IP camera before the external device can fully operate. For detailed information about these settings, see the *Cisco Video Surveillance 6000 Series IP Camera Configuration Guide*.
- If you do not connect an external device (speaker, microphone, input, or output) when you perform the following installation procedure, you can install any of these devices later.

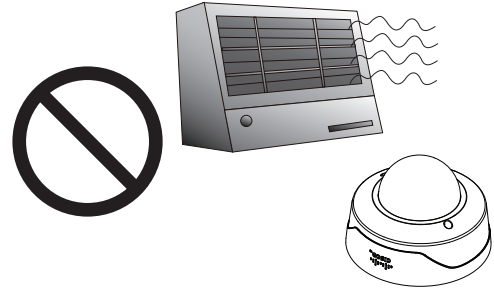
Warnings Before Installation

- **Power off the IP camera if smoke or unusual odors are detected.**
- **Keep the IP camera away from water. If the IP Camera becomes wet, power off immediately.**
- Contact your Cisco representative if these situations occur.
- Contact your Cisco representative if this situation occurs.

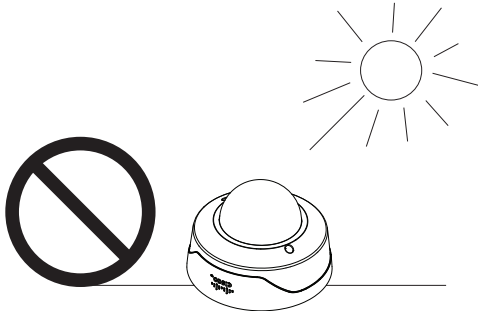
- Do not place the IP camera near sources of heat, including televisions or ovens.



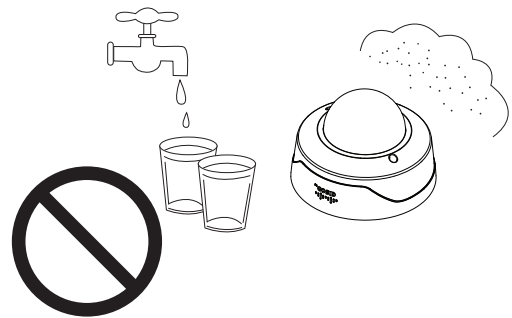
- See the data sheet for operating temperature.



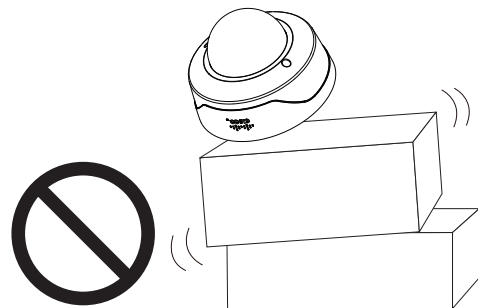
- Keep the IP camera away from direct sunlight.



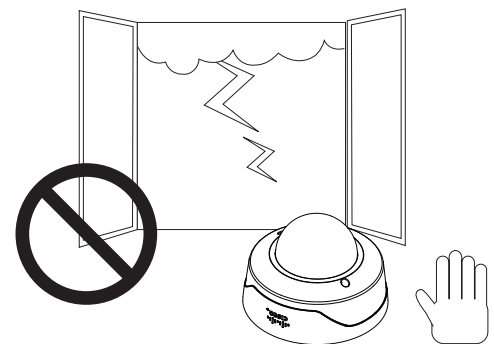
- Do not place the IP camera in high humidity environments.



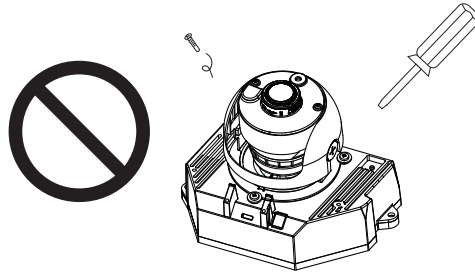
- Do not place the IP camera on unsteady surfaces.



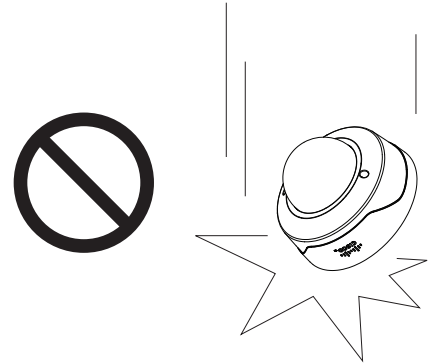
- Do not touch the IP camera during a lightning storm.



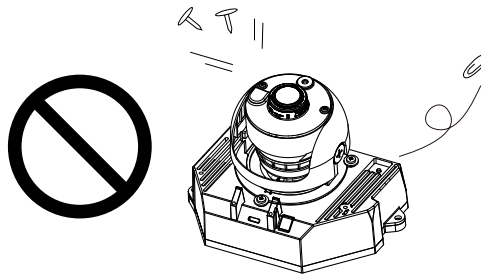
- Do not disassemble the IP camera.



- Do not drop the IP camera.



- Do not put sharp or tiny objects into the IP camera.




Warning

Installation of the equipment must comply with local and national electrical codes. Statement 1074


Warning

The power supply must be placed indoors. Statement 331



Note If you use the IP camera outdoors, place the camera and the power supply in a suitable NEMA enclosure.


Warning

This product must be connected to a power-over-ethernet (PoE) IEEE 802.3af compliant power source or an IEC60950 compliant limited power source. Statement 353


Caution

Inline power circuits provide current through the communication cable. Use the Cisco provided cable or a minimum 24AWG communication cable.



Note

The power adapter that you use with the IP camera must provide power that is within +/-10% of the required power.



Note

The equipment is to be connected to a Listed class 2, limited power source.

IP Camera Installation

Install the 3620 and 6620 IP camera using one of the following procedures:

- [Mounting the IP Camera Directly to a Surface, page 2-4](#)
- [Mounting the IP Camera Flush with a Surface, page 2-7](#)
- [Mounting the IP camera with a Vandal Resistant Enclosure, page 2-10](#)

Before You Begin

Before you install the IP camera, obtain the additional components that are required for your installation type, as described in [Table 2-1](#). These components are available from Cisco or from your Cisco representative.

Table 2-1 Additional Components Required for Installation

Component	Cisco Part Number	Use
Surface mount dome cover	CIVS-6KA-INSURF-C/S	Mounting the IP camera directly to a surface
Camera housing	CIVS-6KA-FLSHMNT	Mounting the IP camera flush with a surface
Flush mount dome cover	CIVS-6KA-FLSHD-C/S	
Ceiling tile mounting bracket	CIVS-6KA-CTMFLSH	
Conduit base	CIVS-KA-VRCNDBS	Mounting the IP camera with a vandal resistant enclosure
Vandal resistant dome cover	CIVS-6KA-VRD-C/S	

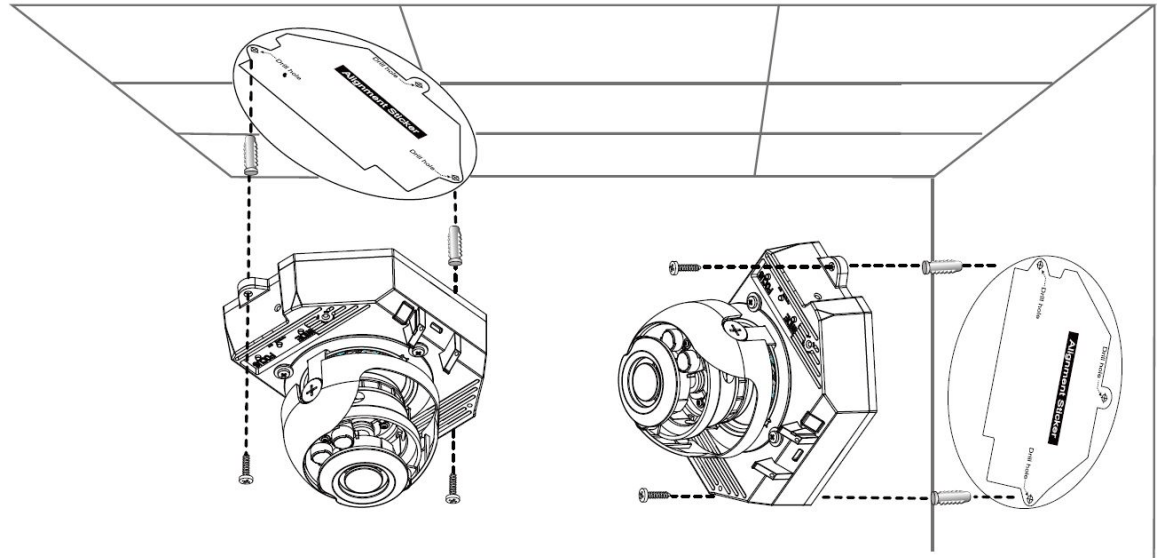
Mounting the IP Camera Directly to a Surface

To directly mount the 3620 and 6620 IP camera to a surface, follow these steps:

Procedure

-
- Step 1** Attach the included installation template and alignment sticker to the ceiling or wall.
- Step 2** Using the circle marks on the sticker, drill two pilot holes symmetrically on each side into the ceiling or wall, then put the provided wall plugs into the holes.
- Use a hammer to drive the wall plugs into the holes, if needed.

Step 3 Secure the IP camera to the ceiling or wall with the included M4 x 32 screws.



Step 4 Connect an STP (shielded twisted pair) Category 5 or higher network cable to the LAN port on the back of the camera. Connect the other end of the network cable to a 10/100/BaseT router or switch.

If your network provides PoE, the IP camera powers on.

Step 5 (Optional) Connect the following cables to the GPIO terminal block:

- External power cable if Power over Ethernet (PoE) is not available.
- I/O cables for external input or output devices, such as sensors or alarms.

For information about the GPIO terminal block, see [Figure 1-2 on page 1-3](#).

Step 6 (Optional) Use a mini cable with BNC connector to temporarily attach an NTSC or PAL compliant analog video display device to the analog video out port on the IP camera.



Note The mini cable with BNC adapter is included in the audio/video cables accessory kit, which you can purchase from Cisco (Cisco part number CIVS-AVCABLE).

Analog video is enabled by default to allow you to adjust the camera field of view during installation. However, it is not supported as a normal camera feed and is automatically disabled when any of the following camera settings are made:

- The primary video stream frame rate must be set higher than 15 fps.
- The secondary video stream must be enabled.



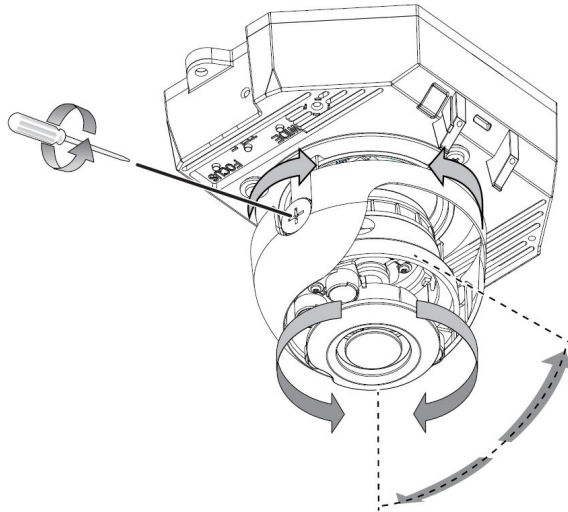
Note We recommend that you disable analog video after installation. To disable analog video, see *Cisco Video Surveillance 6000 Series IP Camera Configuration Guide*.

Step 7 Remove the black cover.

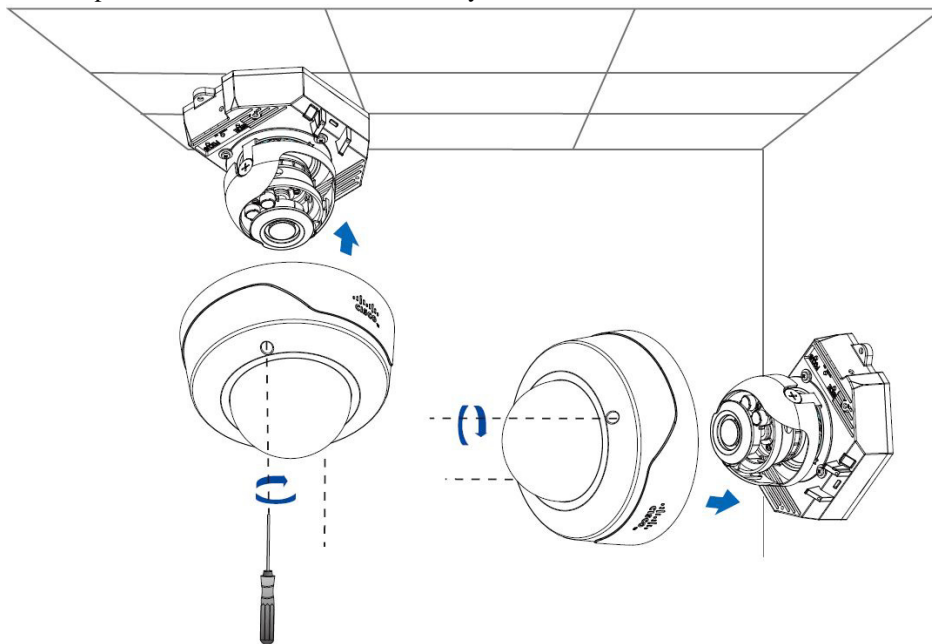
Step 8 While viewing video from the IP camera, take these actions to adjust the 3-axis field of view:

- a. Grip the two tilt adjustment screws and pan the IP camera left or right.
- b. Loosen the two thumb screws, tilt the IP camera, then tighten the thumb screws.

- c. Rotate the IP camera to adjust the image horizontal orientation.



- Step 9** Install the black cover.
- Step 10** (Optional) Use the Focus, Tele, and Wide buttons on the IP camera to adjust the video image as desired (see [Figure 1-1 on page 1-2](#)).
- Step 11** Attach the surface mount dome cover to the IP camera base by aligning it with the mounting holes. The surface mount dome cover is available separately. See [Table 2-1 on page 2-4](#).
- Step 12** Use a screwdriver to tighten the four dome cover screws to secure the dome cover to the IP camera. Make sure all parts of the IP camera are securely installed.



What to do next

Complete the following procedures:

- After you install the IP camera, follow the instructions in the [“Performing the Initial Setup of the IP Camera” section on page 3-1](#) to access the IP camera through your network.

- After completing the initial setup, use the IP camera user interface to adjust the focal length and zoom factor. For more information, see the “[Adjusting the IP Camera Focus and Zoom](#)” section on page 4-3.

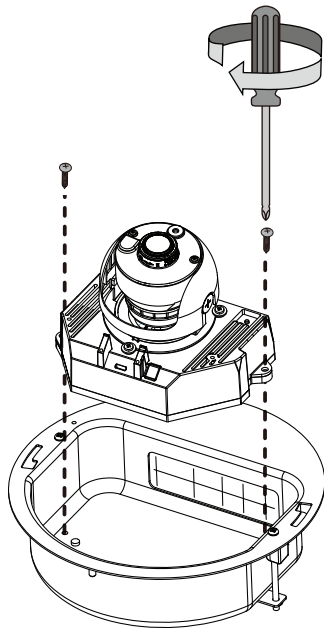
Mounting the IP Camera Flush with a Surface

To mount the 3620 and 6620 IP camera flush with a surface, follow these steps:

Procedure

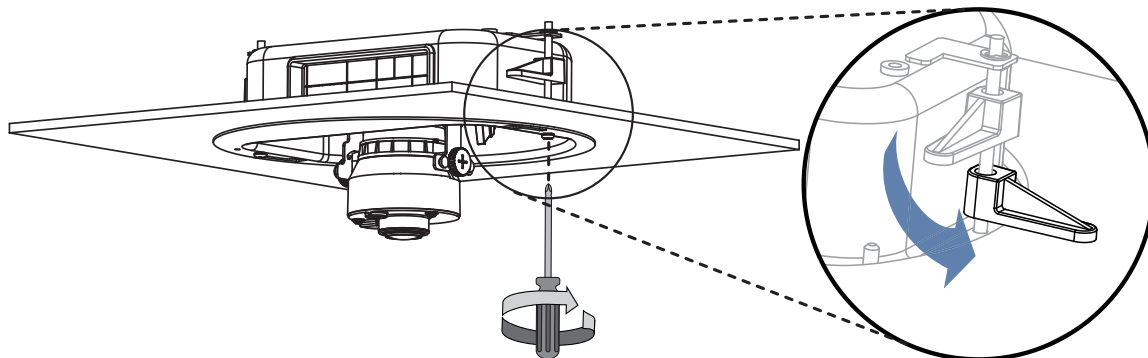
- Step 1** Secure the IP camera inside the camera housing using the two included screws included with the camera housing.

The camera housing is available separately. See [Table 2-1 on page 2-4](#).



- Step 2** Remove the ceiling tile from the location at which you want to mount the IP dome and cut a 7-3/4 inch (19.68 cm) diameter hole in the center of the tile.
- Step 3** Place the camera housing through the hole that you cut in the ceiling tile.
- Step 4** (Optional) Place the ceiling tile mounting bracket over the part of the IP camera that protrudes through the ceiling tile.
- Step 5** Place a ceiling tile mount over the camera housing.
Orient the ceiling tile mount so that it is flush with the back surface of the ceiling tile.
- Step 6** Use a Phillips-head screwdriver to turn the anchor screws clockwise and spin the anchor clips outward into the locking position and to secure the anchor clips.

The anchor clips twist over the ceiling tile. Turn the anchor clip screws until the camera housing is snug against the ceiling tile. Do not over tighten the screws.



Step 7 Connect a shielded twisted pair (STP) Category 5 or higher network cable to the LAN port on the back of the camera through the cutout in the camera housing. Connect the other end of the network cable to a 10/100/BaseT router or switch.

If your network provides PoE, the IP camera powers on.

Step 8 (Optional) Connect the following cables to the GPIO terminal block on the IP camera through the cutout in the camera housing:

- External power cable to the GPIO terminal block if PoE is not available.
- (Optional) I/O cables for external input or out put devices, such as sensors or alarms, to the GPIO terminal block

For information about the GPIO terminal block, see [Figure 1-2 on page 1-3](#).

Step 9 Replace the ceiling tile with the camera installed.

Step 10 (Optional) Use a mini cable with BNC connector to temporarily attach an NTSC or PAL compliant analog video display device to the analog video out port on the IP camera.

You may need to temporarily remove and adjacent ceiling tile to access the analog video out port.



Note The mini cable with BNC adapter is included in the audio/video cables accessory kit, which you can purchase from Cisco (Cisco part number CIVS-AVCABLE).

Analog video is enabled by default to allow you to adjust the camera field of view during installation. However, it is not supported as a normal camera feed and is automatically disabled when any of the following camera settings are made:

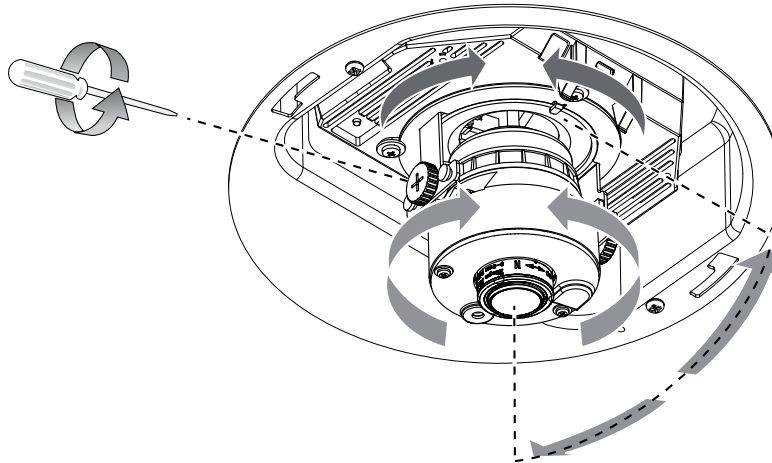
- The primary video stream frame rate must be set higher than 15 fps.
- The secondary video stream must be enabled.



Note We recommend that you disable analog video after installation. To disable analog video, see *Cisco Video Surveillance 6000 Series IP Camera Configuration Guide*.

Step 11 Remove the black cover.

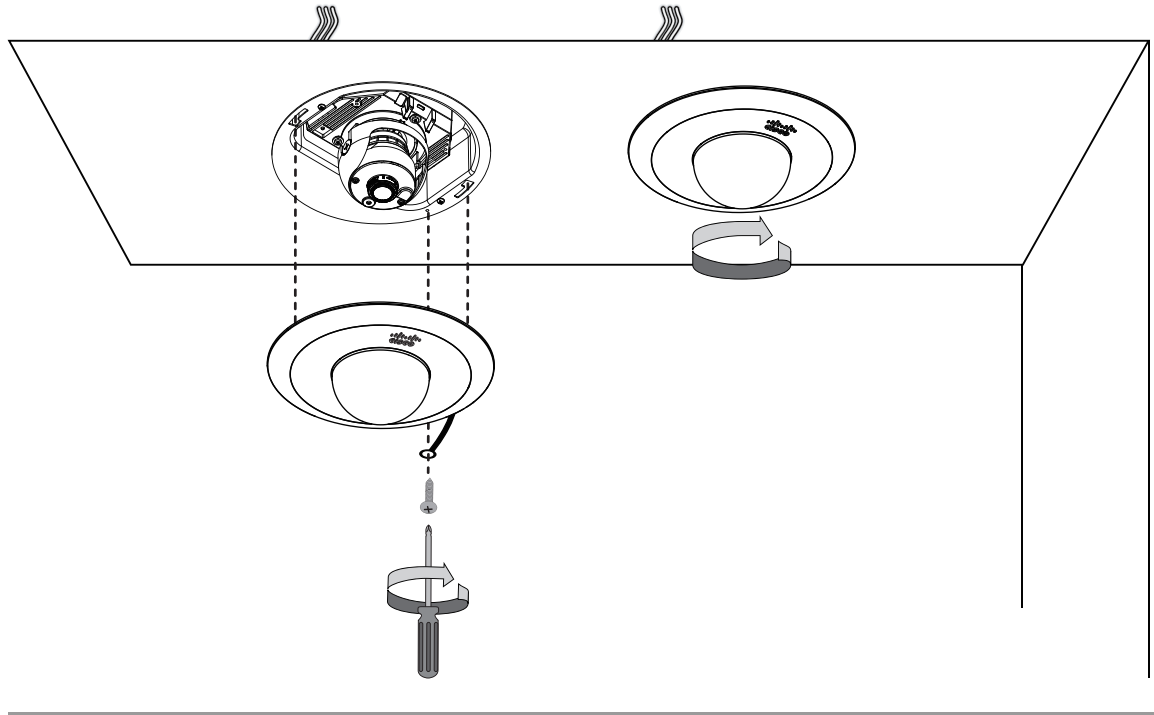
- Step 12** While viewing video from the IP camera, take these actions to adjust the 3-axis field of view:
- Grip the two tilt adjustment screws and pan the IP camera left or right.
 - Loosen the two thumb screws, tilt the IP camera, then tighten the thumb screws.
 - Rotate the IP camera to adjust the image horizontal orientation.



- Step 13** Install the black cover. Make sure to adjust it inside the dome and trim ring assembly so that it does not block the lens from capturing video.
- Step 14** (Optional) Use the Focus, Tele, and Wide buttons on the IP camera to adjust the video image as desired (see [Figure 1-1 on page 1-2](#)).
- Step 15** Attach the flush mount dome cover and the security strap from the dome cover to the camera housing using the included screw.

The flush mount dome cover is available separately. See [Table 2-1 on page 2-4](#).

- Step 16** Attach the dome and trim ring assembly by positioning its pegs in the slots of the camera housing and twisting clockwise.



What to do next

Complete the following procedures:

- After you install the IP camera, follow the instructions in the [“Performing the Initial Setup of the IP Camera” section on page 3-1](#) to access the IP camera through your network.
- After completing the initial setup, use the IP camera user interface to adjust the focal length and zoom factor. For more information, see the [“Adjusting the IP Camera Focus and Zoom” section on page 4-3](#).

Mounting the IP camera with a Vandal Resistant Enclosure

To mount the 3620 and 6620 IP camera using a vandal resistant (VR) enclosure, follow these steps:

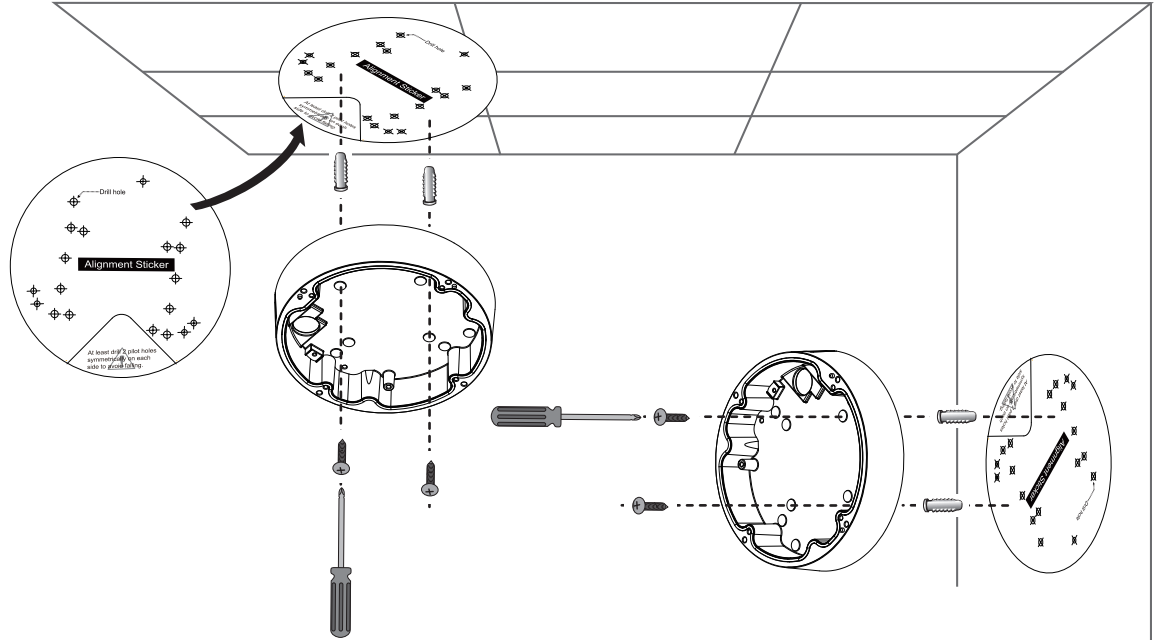
Procedure

- Step 1** Attach the included alignment sticker to the ceiling or wall.
- Step 2** Using the circle marks on the sticker, drill two pilot holes symmetrically on each side into the ceiling or wall, then put the provided wall plugs into the holes.
- Use a hammer to drive the anchors into the holes, if needed.
- Step 3** Take either of these actions:
- To feed cables through a ceiling or wall, cut out a section of the ceiling or wall that corresponds to the triangular cutout on the alignment sticker.

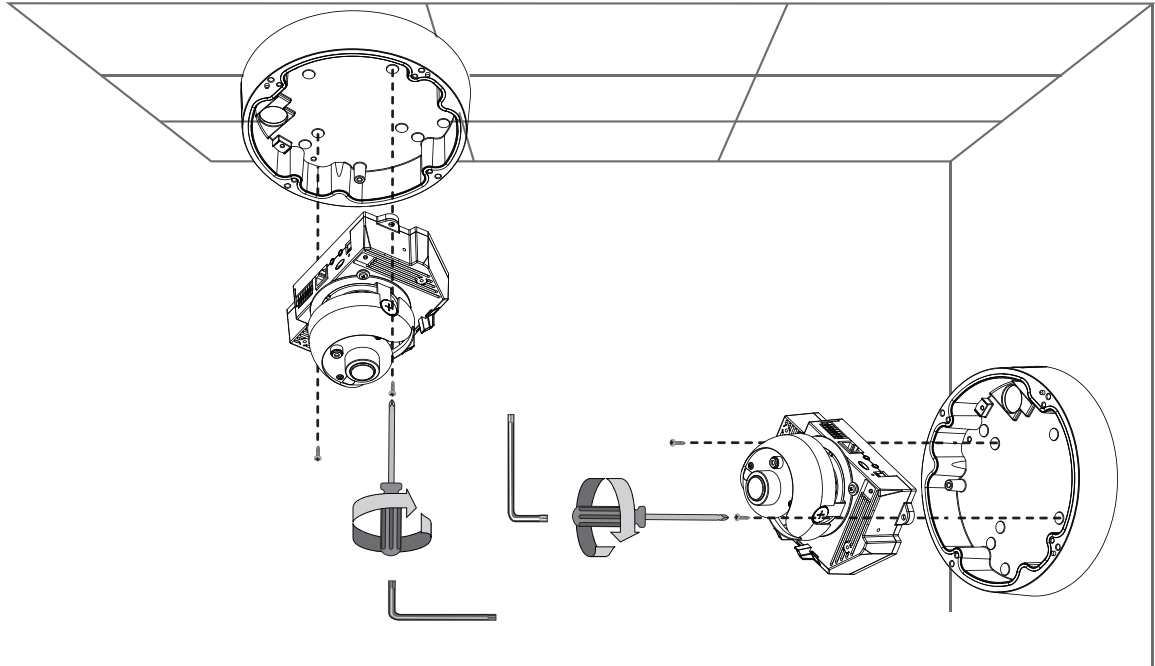
- To feed cables through the side of the conduit base, use a screwdriver to remove the cutout on the side of the conduit base.

Step 4 Secure the conduit base to the ceiling or wall with screws that are included with the conduit base.

The conduit base is available separately. See [Table 2-1 on page 2-4](#).



Step 5 Secure the IP camera to the conduit base with screws that are included with the conduit base.



Step 6 Feed a shielded twisted pair (STP) Category 5 or higher network cable through the conduit base and connect to the LAN port on the back of the camera. Connect the other end of the network cable to a 10/100/BaseT router or switch.

If your network provides PoE, the IP camera powers on.

Step 7 (Optional) Feed the following cables through the conduit base and connect to the GPIO terminal block on the IP camera:

- External power cable to the GPIO terminal block if PoE is not available.
- (Optional) I/O cables for external input or out put devices, such as sensors or alarms, to the GPIO terminal block

For information about the GPIO terminal block, see [Figure 1-2 on page 1-3](#).

Step 8 (Optional) Use a mini cable with BNC connector to temporarily attach an NTSC or PAL compliant analog video display device to the analog video out port on the IP camera.



Note The mini cable with BNC adapter is included in the audio/video cables accessory kit, which you can purchase from Cisco (Cisco part number CIVS-AVCABLE).

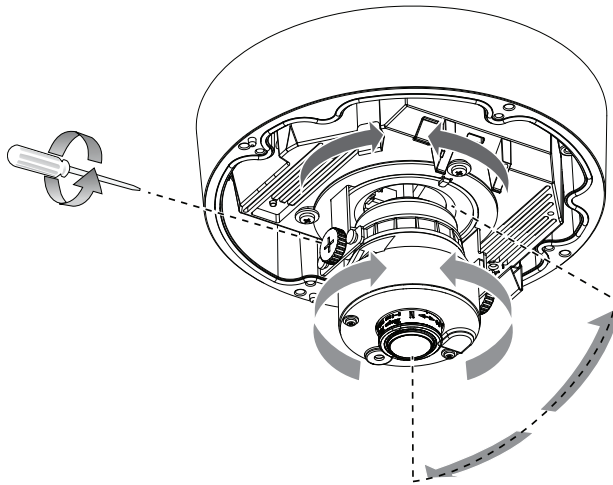
Analog video is enabled by default to allow you to adjust the camera field of view during installation. However, it is not supported as a normal camera feed and is automatically disabled when any of the following camera settings are made:

- The primary video stream frame rate must be set higher than 15 fps.
- The secondary video stream must be enabled.



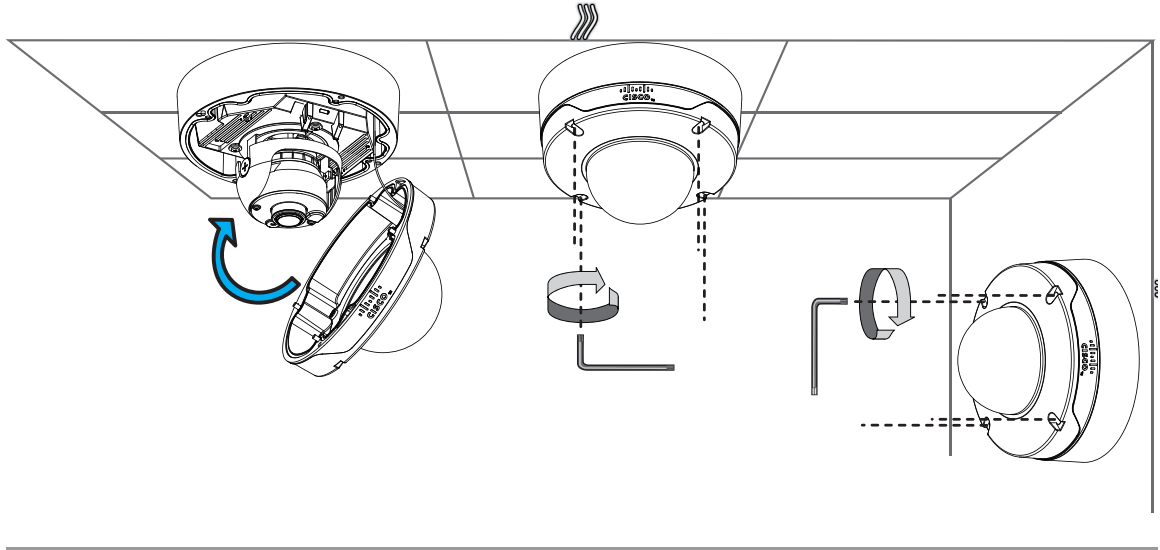
Note We recommend that you disable analog video after installation. To disable analog video, see *Cisco Video Surveillance 6000 Series IP Camera Configuration Guide*.

- Step 9** Remove the black cover.
- Step 10** While viewing video from the IP camera, take these actions to adjust the 3-axis field of view:
- Grip the two tilt adjustment screws and pan the IP camera left or right.
 - Loosen the two thumb screws, tilt the IP camera, then tighten the thumb screws.
 - Rotate the IP camera to adjust the image horizontal orientation.



- Step 11** Install the black cover. Make sure to adjust it so that it does not block the lens from capturing video.
- Step 12** (Optional) Use the Focus, Tele, and Wide buttons on the IP camera to adjust the video image as desired (see [Figure 1-1 on page 1-2](#)).
- Step 13** Attach the vandal resistant dome cover to the conduit base by aligning it with the mounting holes. The vandal resistant dome cover is available separately. See [Table 2-1 on page 2-4](#).

- Step 14** Use the wrench that is included with the vandal resistant dome cover to tighten the four vandal resistant dome cover screws to secure the dome cover to the camera. Make sure all parts of the camera are securely installed.



What to do next

Complete the following procedures:

- After you install the IP camera, follow the instructions in the [“Performing the Initial Setup of the IP Camera” section on page 3-1](#) to access the IP camera through your network.
- After completing the initial setup, use the IP camera user interface to adjust the focal length and zoom factor. For more information, see the [“Adjusting the IP Camera Focus and Zoom” section on page 4-3](#).



Performing the Initial Setup of the IP Camera

After you install IP camera as described in the [Chapter 2, “Camera Installation,”](#) or after you perform a factory reset procedure, you must access the IP camera and make initial configuration settings. These settings include administrator and root passwords, and whether the IP camera can be accessed through an HTTP connection in addition to the default HTTPS (HTTP secure) connection.

To make these configuration settings, you connect to the IP camera from any PC that is on the same network as the IP camera. The PC must meet these requirements:

- Operating system—Microsoft Windows 7 (32-bit or 64-bit) and 8 (32-bit or 64-bit)
- Browsers”
 - Internet Explorer—Internet Explorer 9.0, 10.0, and 11.0 (32-bit only) are the fully supported web browsers. After upgrading the camera firmware, clear the browser cache and reload the web page to ensure that the new features display.

If ActiveX is not installed on your client PC, the View Video window and the Setup > Local Storage window prompts you to install the Cisco Camera UI Control. This message can take some time to display.

If ActiveX is not working properly after installation, close the browser and restart the machine.

- Other browsers—The following additional browsers can also be used to view video from IP camera by using either the VLC Media Player or the QuickTime plug-in:
 - Windows—Chrome and Firefox browsers
 - MacOS X—Chrome, Firefox, and Safari browsers

These web browser support all Cisco IP camera features except motion detection, custom exposure region, and privacy zone, which are available only using Internet Explorer.

In addition, you must know the IP address and default login credentials of the IP camera. By default, when the IP camera powers on, it attempts to obtain an IP address from a DHCP server in your network. If the camera cannot obtain an IP address through DCHP within 90 seconds, it uses a default IP address of 192.168.0.100. The default login credentials (Username/Password) are admin/admin.

To connect to the IP camera for the first time and make initial configuration settings, perform the following steps. You can change these configuration settings in the future as described in the *Cisco Video Surveillance 6000 Series IP Camera Configuration Guide*.

Before you Begin

The Microsoft .NET Framework version 2.0 or later must be installed on the PC that you use to connect to the IP camera. You can download the .NET Framework from the Microsoft website.

Procedure

- Step 1** Start Internet Explorer, enter **HTTPS://*ip_address*** in the address field, and press **Enter**.
- Replace *ip_address* with the IP address that the IP camera obtained through DHCP or, if the camera was unable to obtain this IP address, enter **192.168.0.100**.
- The Login window appears.
- Step 2** Enter the default login credentials:
- Username: **admin**
- Password: **admin**
- The Initialization window appears.
- Step 3** In the Password and Confirm Password fields of the admin row, enter a password for the IP camera administrator.
- You must enter the same password in both fields. The password is case sensitive and must contain at least eight characters, which can be letters, numbers, and special characters, but no spaces. Special characters are: ! " # \$ % & ' () * + , - . : ; < = > ? @ [\] ^ _ ` { | } ~.
- Step 4** In the Password and Confirm Password fields of the Root row, enter a password that is used when accessing the IP camera through a Secure Shell (SSH) connection.
- You must enter the same password in both fields. The password is case sensitive and must contain at least eight characters, which can be letters, numbers, and special characters, but no spaces. Special characters are: ! " # \$ % & ' () * + , - . : ; < = > ? @ [\] ^ _ ` { | } ~.
- You use the root password if you need to troubleshoot the IP camera through a SSH connection with the assistance of the Cisco Technical Assistance Center.
- Step 5** In the Access Protocols area, check the **Enable HTTP** check box if you want to allow both HTTP and HTTPS connections to the IP camera.
- By default, only the Enable HTTPS check box is checked, which allows only HTTPS (secure) connections to the IP camera.
- Step 6** Click **Apply**.
- The IP camera reboots and the Login window appears.
- Step 7** After the IP camera reboots, start Internet Explorer and, in the Address field, enter the following:
protocol://ip_address
where:
- *protocol* is **HTTPS** or **HTTP**. (You can use HTTP only if you enabled it in [Step 5](#).)
 - *ip_address* is the IP address that you used in [Step 1](#).
- Step 8** If you are prompted to install ActiveX controls, which are required to view video from the IP camera, follow the on-screen prompts to do so.
- The Home window appears.
-



Camera Management

This chapter provides information and instructions for managing the Cisco Video Surveillance 3620 and 6620 IP Camera, and includes the following topics:

- [Understanding the IP Camera User Interface, page 4-1](#)
- [Adjusting the IP Camera Focus and Zoom, page 4-3](#)
- [Powering the IP Camera On or Off, page 4-4](#)
- [Resetting the IP Camera, page 4-4](#)
- [Viewing Live Video, page 4-5](#)

Understanding the IP Camera User Interface

After you log in to the IP camera, you can access the IP camera windows and perform a variety of administrative and user procedures.

The links and activities that you can see and access in the IP camera windows depend on your IP camera privilege level.

- Administrator—Can access all IP camera windows, features, and functions.
- Viewer—Can access the Camera Video & Control window with limited controls, and can access the **Refresh**, **Logout**, **About**, and **Help** links from that window.

IP Camera Window Links

The IP Camera user interface includes links that you use to access various windows and perform other activities. [Table 4-1](#) describes each link and lists the IP camera privilege level that you must have to access the link.

Table 4-1 *Links in the IP Camera Windows*

Link	Description	Privilege Level
Refresh	Updates the information in the window that is currently displayed.	Administrator User
Home	Displays the Home window.	Administrator

Table 4-1 *Links in the IP Camera Windows (continued)*

Link	Description	Privilege Level
View Video	Displays the Camera Video & Control window. You may be prompted to install ActiveX controls when trying to access this window for the first time. ActiveX controls are required to view video from the IP camera. Follow the on-screen prompts to install ActiveX controls.	Administrator User
Setup	Provides access to the configuration menus for the IP camera.	Administrator
Logout	Logs you out from the IP camera.	Administrator User
About	Displays a pop-up window with model, version, and copyright information for the IP camera.	Administrator User
Help	Displays reference information for the window that is currently displayed.	Administrator User

IP Camera Windows

The IP camera user interface includes these main windows:

- Home window—Displays the system information that is described in [Table 4-2](#).
- Camera Video & Control window—Displays live video from the camera and lets you control a variety of camera and display functions.
- Setup window—Provides access to the IP camera configuration windows.

Table 4-2 *Home Window Information*

Field	Description
General Information	
ID	Identifier of the IP camera.
Name	Name of the IP camera.
Current Time	Current date and time of the IP camera.
S/N	Serial number of the IP camera.
Firmware	Version of the firmware that is installed on the IP camera.
Codec	Version of the codec that is running on the IP camera.
Part Number	Cisco manufacturing part number of the IP camera.
Top Assembly Revision	Cisco assembly revision number.
Network Status	
MAC Address	MAC address of the IP camera.
Configuration Type	Method by which the IP camera obtains its IP address.
LAN IP	IP address of the LAN to which the IP camera is connected.
Subnet Mask	Subnet mask of the LAN to which the IP camera is connected.

Table 4-2 Home Window Information (continued)

Field	Description
Gateway Address	IP address of the gateway through which the IP camera is connected.
Primary DNS	IP address of the primary DNS server, if configured for the IP camera.
Secondary DNS	IP address of the secondary DNS server, if configured for the IP camera.
IO Port Status	
Input Port 1	Current state of input port 1 on the IP camera.
Output Port 1	Current state of output port 1 on the IP camera.
Stream 1 and Stream 2	
User	IP camera user name of each user who is accessing the primary video stream (Stream 1) or the secondary video stream (Stream 2) through a client PC or a third-party device. By default, users appear in order of start time. To display users in ascending order of any information in any corresponding column, click the column heading. Click a column heading again to reverse the display order.
IP Address	IP address of the client device.
Start Time	Time and date that the client accessed the video stream for this session.
Elapsed Time	Length of time that the client has been accessing the video stream.
Codec	Codec of the video stream.

Adjusting the IP Camera Focus and Zoom

To adjust the IP camera focus and zoom, perform the following steps while viewing video from the camera. For information about viewing video, see [“Viewing Live Video” section on page 4-5](#).

Procedure

-
- Step 1** Login to the IP camera.
The Home window appears.
 - Step 2** Click the **View Video** link.
The Camera Video & Control window appears.
 - Step 3** Verify that the field of view is correctly set.
 - Step 4** Click the **Focus/Zoom** toggle button located below the video pane.
 - Step 5** The focus and zoom controls appear.
 - Step 6** While watching the video pane, perform the following steps:
 - a. Move the **Zoom** slider until you achieve the desired zoom level.
 - b. Move the **Focus** slider until the video image is at its sharpest.

- Step 7** (Optional) Click **Auto Focus** to have the IP camera automatically adjust its focus. To automatically adjust the focus to a particular region in the field of view, check the **Specify Region** check box and draw or select a region before clicking Auto Focus.

Powering the IP Camera On or Off

The IP camera does not include an on/off switch. You power it on or off by connecting it to or disconnecting it from a power source. When you power off the IP camera, configuration settings are retained.

To power on the IP camera, take either of these actions:

- Use an STP (shielded twisted pair) Category 5 or higher network cable to connect the IP camera to a network switch that provides 802.3af compliant PoE.
- Use an optional 12 VDC or 24VAC power adapter to connect the IP camera to a wall outlet

To power off the IP camera, take either of these actions:

- If the IP camera is receiving PoE, disconnect the network cable
- If the IP camera is receiving power through the power adapter, unplug the adapter from the wall or disconnect it from the camera

Resetting the IP Camera

You reset the IP camera by pressing the Reset button on the IP Camera (see [Figure 1-1 on page 1-2](#)). There are various reset types, as described in [Table 4-3](#).

You also can also perform these reset operations from the Maintenance Settings window as described in the *Cisco Video Surveillance 6000 Series IP Camera Configuration Guide*.

Table 4-3 *Resetting the IP Camera*

Reset Type	Procedure	Remarks
Reboot.	Press and immediately release the Reset button.	This action is equivalent to powering the IP camera down and then powering it up. Settings that are configured for the IP camera are retained.
Factory reset.	Press and hold the button for at least 15 seconds.	Sets all IP camera options to their default values. After you perform this procedure, follow the steps in the “Performing the Initial Setup of the IP Camera” section on page 3-1.

Viewing Live Video

After you install and set up the Cisco Video Surveillance IP Camera, you can connect to the IP camera through Internet Explorer and access the Camera Video & Control window to view live video.

The Camera Video & Control window also provides for controlling the video display, configuring preset positions, and controlling certain IP camera functions. Available controls depend on the privilege level of the user.



To view live video, log in to the IP camera, then click **View Video** in the IP camera Main window menu bar. The Camera Video & Control window appears. This window displays live video from the camera and lets you control a variety of camera and display functions.

The controls that you see in the Camera Video & Control window depend on your IP camera privilege level and the configurations settings for the IP camera. Users with the Administrator privilege can access all controls. Users with the Viewer privilege do not have access to the following controls:

- Video image controls
- Motion detection controls

Table 4-4 describes the controls in the Camera Video & Control window.

Table 4-4 Camera Video & Control Window Controls

Control	Description
Video controls	
Video Codec drop-down list 	Choose the codec for video transmission (H.264 or MJPEG). You can choose H.264 only if the primary video stream (channel 1) is enabled. You can choose MJPEG only if the secondary video stream (channel 2) is enabled.
Video Resolution drop-down list 	Choose the resolution for video transmission. The resolutions in this drop-down list depend on the video standard that you selected. The default value for H.264 is 1920 x 1080. The default value for MJPEG is 704 x 480. You cannot configure a secondary stream if you configure this resolution for 1920 x 1080.
Video viewer drop-down list 	Choose the viewer to use for video. Options are: <ul style="list-style-type: none"> • ActiveX—Available only if you are using accessing the IP camera through Microsoft Internet Explorer. Allows you to configure several IP camera options, such as motion detection and privacy zone. • QuickTime—Allows viewing of H.264 streams only. Does not allow you to configure several IP camera options, such as motion detection and privacy zone. • VLC—Allows viewing of H.264 and MJPEG streams. Does not allow you to configure several IP camera options, such as motion detection and privacy zone. The default video viewer value is ActiveX.

Table 4-4 Camera Video & Control Window Controls (continued)







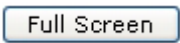
Control	Description
Image tools	
Hotspot Zoom button 	<p>Click this latch button to enables the digital zoom feature, which provides five-step digital zooming in for the normal (not full screen) video display. Click this button again to disable the digital zoom feature.</p> <p>To perform a digital zoom, engage the Hotspot Zoom button and click the video display. The first five clicks zoom the display. The sixth click returns to unzoomed display.</p>
Hotspot Pan/Tilt button 	<p>Click this latch button to enable the hotspot pan/tilt feature, which lets you pan and tilt the IP camera toward a point that you click in the video display.</p> <p>To perform a hotspot pan/tilt action, engage the Hotspot Pan/Tilt button, then click the video image at the location toward which you want the IP camera to pan and tilt.</p> <p>This feature require that the IP camera be installed with a pan/tilt mount that supports the Pelco D protocol and that pan and tilt functions are enabled.</p>
Save Snapshot button 	<p>Captures and saves a the current video image as a .gif file or a .jpg file in the location of your choice and with the file name of your choice.</p> <p>When you click this button, the Snapshot window appears. Click Save and follow the on-screen prompts to save the image with the name and in the location that you want.</p>
Flip button 	<p>Rotates the video image by 180 degrees.</p>
Mirror button 	<p>Reverses the video image.</p>
Restore button 	<p>Displays the default video image, which is not rotated and not reversed.</p>
Full Screen button 	<p>Displays the video image in full screen mode.</p> <p>To return to normal display mode, click the full screen image.</p>

Table 4-4 Camera Video & Control Window Controls (continued)








Control	Description
Audio Control	
Disable Speaker toggle button 	Click the Disable Speaker button to mute audio that is sent from the IP camera to the PC that you are using. The button changes to the Enable Speaker button. Click the Enable Speaker button to unmute audio. The button changes to the Disable button.
Enable Speaker toggle button 	
Mute Microphone toggle button 	<p>Click the Mute Microphone button to mute the audio stream that is captured and sent to the IP camera from the internal or external microphone of the PC that you are using. When you click this button, the speaker that is attached to the IP camera does not play audio that is transmitted from your PC.</p> <p>Note If you are simultaneously accessing other IP cameras in different browser sessions on the same PC, clicking this button in one browser session does not mute the audio that the PC sends to the other IP cameras.</p> <p>When you click the Mute Microphone button, it changes to the Unmute Microphone button. Click the Unmute Microphone button to unmute audio that is sent to the IP camera. The button changes to the Mute Microphone button.</p>
Unmute Microphone toggle button 	
Restore button 	Resets audio controls to their default values.
Speaker Volume slider and field 	When the speaker is unmuted, drag this slider to adjust the volume at which your PC speakers play the audio from the IP camera, or enter a value from 0 through 100 and press the Enter key. The default value is 50.
Microphone Sensitivity slider and field 	Drag this slider to adjust the gain of the PC microphone (that is, how sensitive it is to the audio that it picks up and that is sent to the IP camera), or enter a value from 0 through 100 and press the Enter key. The default value is 50.

Table 4-4 Camera Video & Control Window Controls (continued)







Control	Description
Camera Settings	
Up Arrow toggle button 	Click the Up Arrow to display the camera settings. The button changes to the Down Arrow button
Down Arrow toggle button 	Click the Down Arrow button to hide the camera settings. The button changes to the Up Arrow button. When the Up Arrow is clicked to display the camera settings, three drawers appear to the right of the video image. The camera settings are grouped into the three drawers as follows: <ul style="list-style-type: none"> • Picture Adjustments • Exposure Control • Advanced Settings To view the settings within a drawer, click on it to expand it. To hide the settings, click on the drawer to collapse it.
Save button	Saves the current camera settings configuration.
Picture Adjustments	
Note These controls appear when you click Camera Settings Up Arrow > Picture Adjustments drawer .	
Brightness slider 	To control the brightness of the video image, drag the slider, or enter a value from 1 through 10 and press the Enter key. A higher value increases the brightness and a lower value decreases the brightness. For example, if the IP camera is facing a bright light and the video appears too dark, you can increase the brightness. The default value is 5.
Contrast slider 	To control contrast of the video image, drag the slider, or enter a value from 1 through 10 and press the Enter key. A higher value increases the contrast and a lower value decreases the contrast. The default value is 5.
Sharpness slider 	To control the sharpness of the video from the IP camera, drag the slider, or enter a value from 1 through 100 and press the Enter key. A higher value increases the sharpness and a lower value decreases the sharpness. The default value is 50.
Saturation slider 	To control the saturation of the video from the IP camera, drag the slider, or enter a value from 1 through 100 and press the Enter key. A higher value increases the saturation and a lower value decreases the saturation. High saturation provides a vivid, intense color for a video image. With less saturation, the video image appears more muted and gray. The default value is 50.

Table 4-4 Camera Video & Control Window Controls (continued)

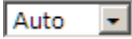
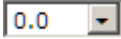
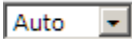



Control	Description
White Balance Mode 	Choose one the following White Balance modes from the drop-down list: <ul style="list-style-type: none"> • Manual—Choose this option if you want to set the white balance by setting RGain (Red Gain) and BGain (Blue Gain) manually. • Auto—White balance is automatically set by camera, which is suitable for most conditions. The default setting is Auto.
Exposure Control Note These controls appear when you click Camera Settings Up Arrow > Exposure Control drawer .	
Exposure Level 	Increases or decreases the exposure level. For example, if you want to add light (overexpose) to properly expose the image, set the value to +1. If you need to underexposure the scene, set value to -1. Default value is 0.0
Exposure Mode 	Choose one of the following Exposure modes: <ul style="list-style-type: none"> • Auto—Automatically sets the exposure level, which is suitable for most conditions. • Manual—Choose this option if you want to set Exposure time and Gain control manually. Default setting is Auto.
Exposure Time 	The Exposure time option is available only when the Exposure mode is set to Manual. Specifies the range of shutter speed settings to be used by the IP camera. Shutter speed is measured in fractions of a second. You can adjust both ends of the shutter speed range. Default range is 1/5 sec to 1/32000 sec in Manual mode.
Gain Control 	The Gain control option is available only when the Exposure mode is set to Manual. Specifies the range of gain (amount of amplification applied to pixel values) settings to be used by the IP camera. You can adjust both ends of the gain control range. Default range is to 0 to 100.
Iris Mode 	The Iris mode is available only when the Exposure mode is set to Auto. Choose one of the following Iris modes: <ul style="list-style-type: none"> • Indoor—Suitable for Indoor conditions. • Outdoor—Suitable for Outdoor conditions. Default mode is Indoor.

Table 4-4 Camera Video & Control Window Controls (continued)

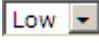
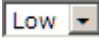
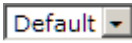
Control	Description
Measurement Window	<p>Exposure is calculated based on video data from one of the following measurement windows:</p> <ul style="list-style-type: none"> • Full View—Exposure is calculated based on full view. • Custom—You can designate specific regions (areas within the field of view) to use for exposure calculation. Inclusion regions designate areas that are used to calculate the exposure value. Exclusion regions designate areas that are ignored when calculating the exposure value. You can draw up to four inclusion regions and four exclusion regions. <p>To create a region, right-click on the video image and choose Draw Region. Drag the region to the desired area and drag an edge or corner of the region to resize it. To remove region, right-click on it and choose Delete Region. Inclusion regions are created by default. To toggle between inclusion and exclusion regions, right-click on a region and change the Region Properties > Region Type setting.</p> <ul style="list-style-type: none"> • BLC—Back Light Compensation (BLC) window adds a weighted region in the middle of the image view to give necessary exposure compensation.
WDR	<p>Choose one of the following values to configure wide dynamic range for the IP camera:</p> <ul style="list-style-type: none"> • Off—Wide dynamic range is not used. • WDR_2X—Wide dynamic range based on 2 exposures. • WDR_4X—Wide dynamic range based on 4 exposures. This option is not available when Exposure mode is set to Auto and Iris mode is set to Indoor in this Exposure Mode area.
Strength	<p>Appears when WDR is set to WDR_2X or WDR_4x. Choose Low, Medium, or High to designate the relative adjustment that the IP camera makes between shaded and bright areas of an image.</p>
Advanced Settings	
Note These controls appear when you click Camera Settings Up Arrow > Advanced Settings drawer .	
Enable Low Light Compensation	This option is useful in low light situations.
Enable DRX	Check this check box to enable the Dynamic Range Enhanced (DRX) feature. DRX helps recover washed out details when there is extreme contrast lighting conditions. To reach better image quality adjust Sensitivity (Low and High) and Strength (Low, Medium and High).
Sensitivity 	The Sensitivity option is available only when DRX is enabled. Choose how sensitive (low or high) DRX is to extreme contrast lighting conditions.
Strength 	The Strength option is available only when DRX is enabled. Choose how much DRX processing (low, medium, or high) to use for recovering washed out details.
Gamma Curve 	Choose the value that provides the optimal gray-scale intensity. Larger gamma curve values make shadows darker and larger values make dark regions lighter.

Table 4-4 Camera Video & Control Window Controls (continued)



Control	Description
Motion detection	
Up Arrow toggle button 	Click the Up Arrow to display the motion detection controls. The button changes to the Down Arrow button.
Down Arrow toggle button 	Click the Down Arrow button to hide the motion detection controls. The button changes to the Up Arrow button.
Motion detection controls	
Note	These controls appear when you click the Up Arrow in the Motion Detection area and are available only viewing the primary (H.264) stream.
Enable Motion Detection check box	<p>Enables the motion detection feature and displays a grid over the video image.</p> <p>When motion detection is enabled, the IP camera monitors activity in the video field areas that you specify. If activity at a defined level occurs in any of these areas, the IP camera generates an alert and takes the configured actions.</p> <p>To designate specific areas that the IP camera monitors for activity, select the areas by clicking each grid cell over the area. A red border indicates a selected area. To deselect an area, click it again.</p> <p>You can configure the following levels for areas that the IP camera monitors for activity:</p> <ul style="list-style-type: none"> • Sensitivity—Designates the relative amount of activity that the IP camera must detect in the area before it generates an alert. A lower value means that more, or faster, activity is required to trigger an alert. A higher value means that less, or slower, activity is required. The default value is 80. • Threshold—Designates the percentage of pixels that the IP camera must identify as changed in the area before it generates an alert. The camera detects pixel changes at the defined sensitivity level. The default threshold value is 10. <p>To configure sensitivity or threshold, right-click a grid cell that has a red border and then drag the Sensitivity and Threshold sliders to the desired values. Alternatively, enter a value from 1 through 100 for an option and press the Enter key. To reset the sensitivity and threshold to their default values of 50, click Restore. These configuration settings affect the cell that you select. If the cell is part of a group of horizontally or vertically (but not diagonally) adjacent cells, the settings affect all cells in the group.</p>

Table 4-4 Camera Video & Control Window Controls (continued)

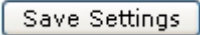




Control	Description
Full Screen check box	<p>Becomes available when you click check Enable Motion Detection check box. Check the Full Screen check box to cause the IP camera to examine the entire video field for activity.</p> <p>You can configure the following items for this video field:</p> <ul style="list-style-type: none"> • Sensitivity—Designates the relative amount of activity that the IP camera must detect in the area before it generates an alert. A lower value means that more, or faster, activity is required to trigger an alert. A higher value means that less, or slower, activity is required. The default value is 80. • Threshold—Designates the percentage of pixels that the IP camera must identify as changed in the area before it generates an alert. The camera monitors for pixel changes at the defined sensitivity level. The default threshold value is 10. <p>To configure sensitivity or threshold, right-click anywhere in the video field border and then drag the Sensitivity and Threshold sliders to the desired values. Alternatively, enter a value from 1 through 100 for an option and press the Enter key. To reset the sensitivity and threshold to their default values of 50, click Restore.</p>
Restore button	<p>Deselects all areas in the video field that you have selected for motion detection monitoring.</p>
Save Settings button 	<p>Save the current motion detection configuration.</p>
Focus/Zoom	
Up Arrow toggle button 	<p>Click the Up Arrow to display the focus/zoom controls. The button changes to the Down Arrow button.</p>
Down Arrow toggle button 	<p>Click the Down Arrow button to hide the focus/zoom controls. The button changes to the Up Arrow button.</p>
Focus/Zoom controls	
<p>Note These controls appear when you click the Up Arrow in the Focus/Zoom area.</p>	
Zoom slider	<p>To control the field of view zoom factor, drag the slider left to zoom out (wide), or drag the slider to the right to zoom in (telephoto).</p>
Focus slider	<p>To control the field of view focus, drag the slider left to focus on near objects, or drag the slider to the right to focus on far objects.</p>
Auto Focus button	<p>Click to automatically focus the IP camera for the selected zoom.</p>
Specify Region check box	<p>Used in conjunction with the Auto Focus option. Check Specify Region check box and click Auto Focus to focus the IP camera with priority to a selected region in the field of view. The region is user configurable and can be moved around the screen.</p>
Reset button	<p>Resets the lens position and slider control positions to their default values (full wide and near).</p>

Table 4-4 Camera Video & Control Window Controls (continued)

Control	Description
Privacy Zone	
Up Arrow toggle button 	Click the Up Arrow to display the privacy zone controls. The button changes to the Down Arrow button.
Down Arrow toggle button 	Click the Down Arrow button to hide the privacy zone controls. The button changes to the Up Arrow button.
Privacy Zone controls	
Note These controls appear when you click the Up Arrow in the Privacy Zone area.	
Enable Privacy Region	<p>Check this check box to enable the privacy zone feature that allows you to create to four user-defined privacy regions. Any video within a privacy region is masked in the video stream.</p> <p>To create a region, right-click on the video image and choose Draw Region. Drag the region to the desired area and drag an edge or corner of the region to resize it. To remove region, right-click on it and choose Delete Region.</p> <p>For each region listed under the Privacy Zone Properties area, you can configure the following properties:</p> <ul style="list-style-type: none"> • Current Region—You can enter a name of up to 12 characters for a region. • IsActive—Specifies whether the region is active (enabled) or not active (disabled). Choose true to enable a region; choose False to disable a region.
Region Color	Choose a color from the Region Color drop-down list to specify the color that will be used to mask the actual video in all privacy regions.
Save button	Saves the current privacy zone configuration.



A

- About link [4-2](#)
- ActiveX controls [4-2](#)
- audio, controls in Camera Video & Control window [4-7](#)

B

- brightness [4-8](#)

C

- camera
 - See* IP camera
- camera settings
 - brightness [4-8](#)
 - contrast [4-8](#)
 - saturation [4-8](#)
 - sharpness [4-8](#)
 - white balance [4-9](#)
- Camera Video/Control window
 - accessing [4-5](#)
 - description [4-2](#)
 - displaying [4-2](#)
- connecting, to the IP camera
 - for the first time [3-1](#)
 - PC requirements for [3-1](#)
- contrast [4-8](#)

D

- DHCP, obtaining IP address through [3-1](#)

F

- factory reset [4-4](#)
- focus/zoom
 - accessing controls [4-12](#)
 - controls [4-12](#)

H

- help, for IP camera windows [4-2](#)
- Home window
 - description [4-2](#)
 - displaying [4-1](#)
- HTTP, allowing access through [3-2](#)

I

- installing
 - IP camera [2-1](#)
 - mounting to ceiling or wall [2-10](#)
 - warnings [2-1](#)
- IP address
 - default for IP camera [3-1](#)
 - obtaining from DHCP server [3-1](#)
- IP camera
 - accessing through a web browser [3-1](#)
 - connecting to for the first time [3-1](#)
 - installation [2-1](#)
 - mounting to ceiling or wall [2-10](#)
 - warnings [2-1](#)
 - logging out of [4-2](#)
 - panning [4-6](#)
 - powering off [4-4](#)

powering on [4-4](#)
 tilting [4-6](#)
 windows [4-2](#)

L

live video
 See also video
 live video, viewing
 through home window [4-5](#)
 through third-party device or software [4-5](#)
 log out, of IP camera [4-2](#)

M

microphone
 muting PC [4-7](#)
 PC [4-7](#)
 sensitivity [4-7](#)
 motion detection
 accessing controls [4-8, 4-11, 4-13](#)
 enabling [4-11](#)
 sensitivity [4-11, 4-12](#)
 threshold [4-11, 4-12](#)
 Motion detection controls [4-11, 4-13](#)
 mounting to ceiling or wall [2-10](#)
 muting
 PC microphone [4-7](#)
 PC speaker [4-7](#)

P

panning [4-6](#)
 password
 requirements for [3-2](#)
 password, requirements for [3-2](#)
 picture adjustments
 brightness [4-8](#)

contrast [4-8](#)
 saturation [4-8](#)
 sharpness [4-8](#)
 white balance [4-9](#)

power
 adapter [2-1](#)
 powering off the IP camera [4-4](#)
 powering on the IP camera [4-4](#)
 Power over Ethernet (PoE) [2-1](#)
 Power over Ethernet (PoE) [2-1](#)

R

rebooting, IP camera [4-4](#)
 Refresh link [4-1](#)
 reset
 factory default values [4-4](#)
 reboot [4-4](#)

S

saturation [4-8](#)
 sensitivity, for motion detection [4-11, 4-12](#)
 Setup window
 description [4-2](#)
 displaying [4-2](#)
 sharpness [4-8](#)
 speaker, volume [4-7](#)

T

threshold, for motion detection [4-11, 4-12](#)
 tilting [4-6](#)

V

video
 codec, controls in Camera Video/Control window [4-5](#)

resolution, controls in Camera Video/Control window [4-5](#)

viewing live

 through Home window [4-5](#)

 through third-party device or software [4-5](#)

See also live video

View Video link [4-2](#)

W

warnings before installation [2-1](#)

white balance mode [4-9](#)

Z

zoom controls [4-12](#)

