

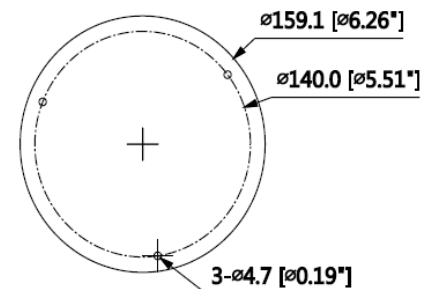
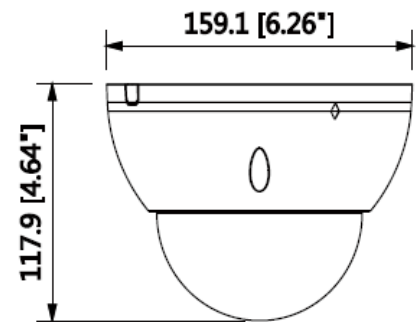
### Overview

- 3 megapixel resolution
- H.265
- WDR of 120dB
- PoE (Power over Ethernet)
- Weather Proof Rating: IP67
- Analytics: Line Cross & intrusion detection
- Vandal Proof: IK 10 Rated
- Built-in Mic
- Built-in Micro SD card slot
- Video Insight VMS license included



### Technical Specifications

<b>Device</b>	
Image Sensor:	1/2.8" Progressive Scan CMOS
Min Illumination:	0.006 lux@F2.0: Color   0.001 lux@F2.0: B&W
Shutter Time:	1/30s ~ 1/100,000s
Lens:	1.85mm
Wide Dynamic Range:	WDR 120dB
Angle of View :	LDC ON: H: 151°, V:114°
Lens Mount:	Fixed
Angle Adjustment:	Software De-Warping only
3-Axis Adjustment :	Yes
Day & Night:	IR cut filter with auto switch
<b>Compression Standard</b>	
Video Compression:	H.265, H.264+, H.264
Bit Rate:	H.264: 24~9472Kbps H.265: 14~5632Kbps
Tri-Stream:	Yes
Analytics:	Line Cross and Intrusion detection
<b>Image</b>	
Max. Image Resolution:	2048 x 1536
Frame Rate:	25fps(2048 x 1536), 30fps(1920x1080), 30fps(1280x720)
ROI Codec:	Supported
Image Setting:	BLC, Rotate Mode, Saturation, Brightness, Contrast, Sharpness adjustable by VI software or Camera Firmware
<b>Network</b>	
Alarm Channels:	1 channel In: 5mA 5VDC 1 channel Out: 300mA 12VDC
Protocols:	HTTP; HTTPS; TCP; ARP; RTSP; RTP; UDP; SMTP;FTP; DHCP; DNS; DDNS; PPPoE; IPv4/v6; QoS; UPnP; NTP; Bonjour; 802.1x; Multicast; ICMP; IGMP; SNMP
Audio:	1 Channel In/ 1 Channel out (Built-in Mic)
<b>Interface</b>	
Communication Interface:	1 RJ45 10/100 Base T Ethernet interface
System Compatibility:	ONVIF, PSIA, CGI
Local Storage:	Built-in Micro SD card slot, up to 128GB
<b>General</b>	
Operating Conditions:	-22° F – 140° F (-30°C ~ 60°C ) Humidity 95% or less
Power Consumption:	MAX: <6.5 W



### Technical Specifications

Impact Protection:	IK10		
Power Supply:	DC12V, AC24V, PoE (802.3af)(Class 0) P.U (<6.5W)		
Dimensions:	Φ159.1mm×117.9mm (6.26"×4.64")		
Weight:	2.53lbs (1.15kg)		
Software:	Includes Video Insight VMS License		
Warranty:	4 Year Advanced Replacement		
Accessories:	<p>E-A101-CAP</p> 	<p>E-A138-JB</p> 	<p>E-A152E-PM</p> 
	<p>E-B201-FM</p> 	<p>E-B300C-CB</p> 	<p>E-B302S-WM</p> 