



Analog

Bullet

HCO-7030RA

QHD (4MP) Analog IR Bullet Camera



Key Features

- QHD (2560 x 1440, 30fps) resolution
- 0.27 Lux@F2.0 (Color), 0 Lux (B/W : IR LED on)
- Built-in 6.0mm fixed lens
- Day & Night (ICR), DWDR, Motion detection
- IR Viewable Length 30m
- Transmission distance max. 500m
- Easy installation (Plug & play), IP66, IK10

Compatible Devices



SBP-302PM



SBO-100B1

HCO-7030RA

QHD (4MP) Analog IR Bullet Camera



Specifications

Video

Imaging Device	Size	1/3"
	Type	CMOS
Resolution		2560x1440
Max. Framerate(NTSC/PAL)		30fps/25fps
Min. Illumination	Color(1/30sec, 30IRE)	0.27
	BW(1/30sec, 30IRE)	0.027
Video Out		CVBS: 1.0Vp-p / 75Ω composite, 720x480(N), 720x576(P) for installation, BNC: AHD
Video Transmission Distance		500m(5C2V Coaxial Cable)

Lens

Focal Length (mm)		6.0
Max Aperture Ratio (F number)	Wide	2.0
Angular Field of View	Horizontal	49°
	Vertical	28°
	Diagonal	56°
Min. Object Distance		0.5m(1.64ft)

Operational

Day & Night		Auto(ICR)
Backlight Compensation		BLC, HLC, DWDR
Digital Noise Reduction		2DDNR
Motion Detection	Quantity	4ea
Privacy Masking	Quantity	2ea
Gain Control		Low, Middle, High, Very High
White Balance		ATW, AWC, Manual, Indoor, Outdoor
Electronic Shutter	Speed Range	1/30~1/12,000sec(N), 1/25~1/12,000sec(P)
Video Rotation		Flip, Mirror
IR Viewable Length		30m(98.43ft)

Operational

Coaxial Protocol	ACP, CVBS
------------------	-----------

Analytics

Analytics Events	Normal	Motion detection
------------------	--------	------------------

Environmental & Electrical

Operating Condition	Temperature	-30°C~+55°C(-22°F~+131°F)
	Humidity	0~90% RH(non-condensing)
	Others	Start up should be done at above -10°C
Input Voltage		12VDC
Power Consumption	12VDC	Max 5W

Mechanical

Color	Dark grey
Material	Aluminum
Product Dimensions	Ø70.0x246.0mm(Ø2.76x9.69")
Product Weight	670g(1.48lb)

HCO-7030RA

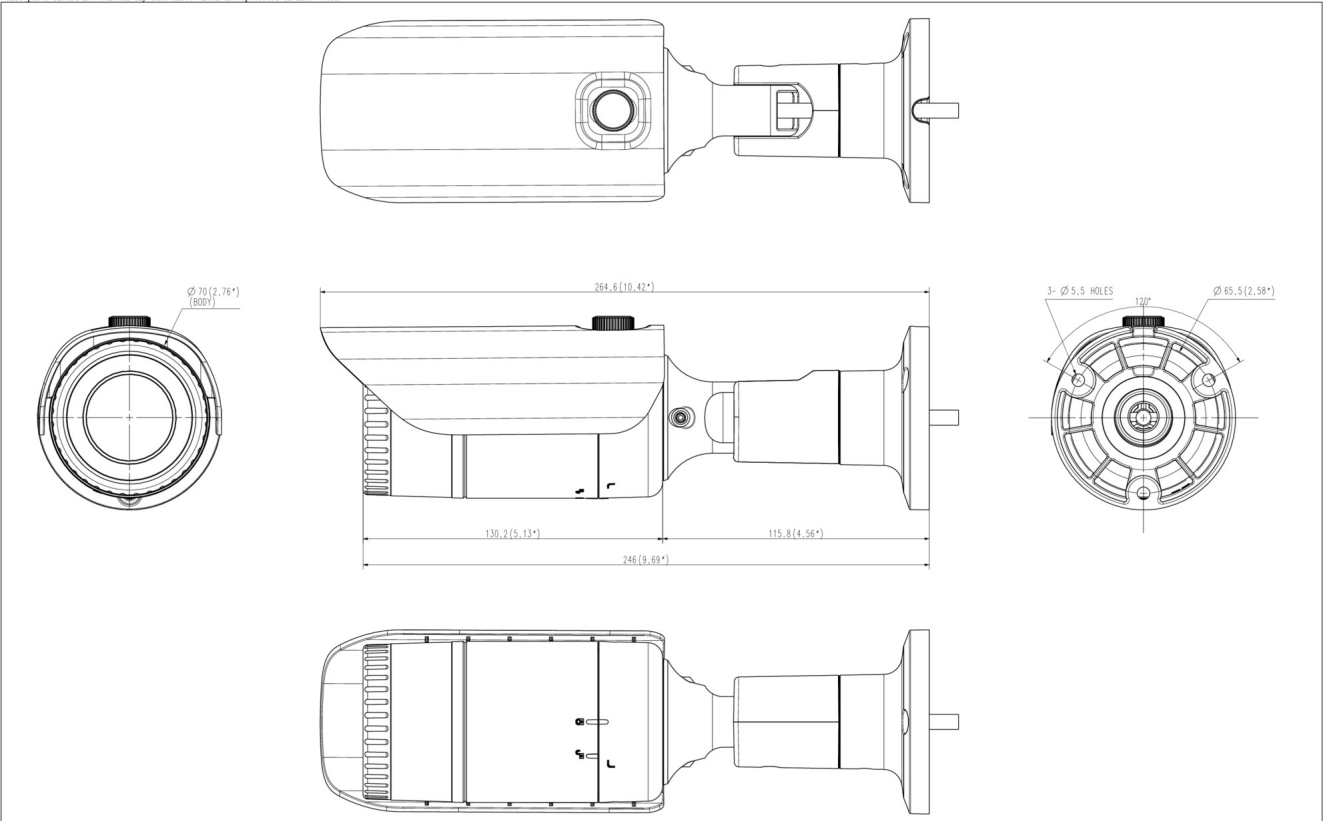
QHD (4MP) Analog IR Bullet Camera



CAD

Unit: mm [inch]

This parts should not contain any substances which are specified in AHS0-0033K



UNIT	mm (inch)	DESIGN	CHECK	APPROVAL	PART NAME
		HTW	-	-	-
SCALE	1/1	17.07.26	17.07.26	17.07.26	MODEL NAME
		Hanwha Techwin			CODE NO.
					049964