

NetShelter™ Open Architecture

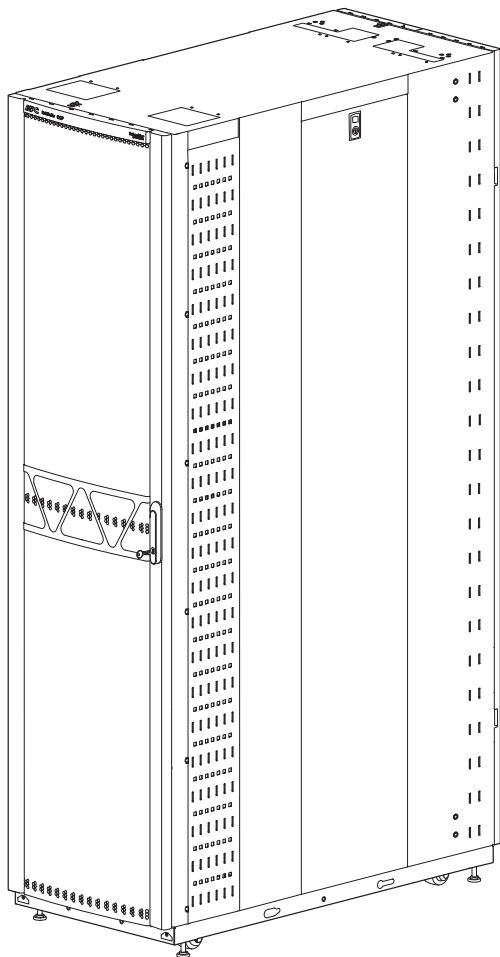
Installation and Customization Manual



SEOCP3000
SEOCP3001
SEOCP3002

JPS60998A

Release date: February 2026



Legal Information

The Schneider Electric brand and any trademarks of Schneider Electric SE and its subsidiaries referred to in this guide are the property of Schneider Electric SE or its subsidiaries. All other brands may be trademarks of their respective owners.

This guide and its content are protected under applicable copyright laws and furnished for informational use only. No part of this guide may be reproduced or transmitted in any form or by any means (electronic, mechanical, photocopying, recording, or otherwise), for any purpose, without the prior written permission of Schneider Electric.

Schneider Electric does not grant any right or license for commercial use of the guide or its content, except for a non-exclusive and personal license to consult it on an "as is" basis. Schneider Electric products and equipment should be installed, operated, serviced, and maintained only by qualified personnel.

As standards, specifications, and designs change from time to time, information contained in this guide may be subject to change without notice.

To the extent permitted by applicable law, no responsibility or liability is assumed by Schneider Electric and its subsidiaries for any errors or omissions in the informational content of this material or consequences arising out of or resulting from the use of the information contained herein.

Contents

Introduction	1
Safety	2
Qualified Personnel	2
Safety instructions for Rack	3
Labels	3
Component Identification	4
Rack	4
Hardware Bag Contents	5
Hardware	5
Tools Provided	5
Tools Required (Not Provided)	5
Rack Installation	6
Move the Rack	6
Move the Rack on its Pallet	6
Move the Rack on its Casters	6
Level the Rack	7
Level an Empty Rack	7
Level a Loaded Rack	8
Join the Racks	9
Grounding	10
Secure the Rack	12
Side Panels (SEOCP7104) (Optional, not provided)	13
Removal	13
Installation	13
Doors	14
Door Removal	14
Door Installation	15
Reverse the Front Door	16
Remove the Front Door	16
Reverse the Door Handle	17
Install the Door	21
Install the Front Door at the Rear	22
Cable Tray and Binding Bracket	23
Cable Tray	23
Binding Bracket	23
Busbar	24
Removal	24
Installation	25
Top Air Baffle	27
Vertical Mounting Rail	28

Center Support	29
Removal	30
Installation	31
Levelling Feet	33
Replace the Levelling Feet	33
Removal	33
Installation	33
Accessories	34
10U Slide Bracket (SEOCP8100, Qty 10)	34
20U Slide Bracket (SEOCP8101, Qty 5)	34
10U PSU Slide Bracket (SEOCP8102, Qty 2)	34
19" 1U Adapter Bracket (SEOCP8103, Qty 5)	34
Removal	35
Installation	36
Manifold Installation Kit (SEOCP8104, Qty 1)	37
Components in Manifold Installation Kit Package	37
Hardware Bag Contents in Manifold Installation Kit Package	37
Installation of Manifold Installation Kit	38
Installation of Manifold (Not Provided)	40
Stabilizer Kit (SEOCP7105, Qty 1)	42
Removal	43
Installation	44
Air Baffle Kit (SEOCP7106, Qty 1 / SEOCP7107, Qty 1)	45
Installation	45
Hardware Bag Contents in Air Baffle Kit Package	46
Install Your Equipment on 19" 1U Adapter Bracket.	47
Cage Nuts	47
Specifications.	48
Two-Years Factory Warranty	49
Terms of warranty	49
Non-transferable warranty	49
Exclusions	49
Warranty claims	49

Introduction

NetShelter™ Open Architecture racks are high-quality racks for Open Rack V3 Base Specification, 21 in. (533.4 mm) rack-mount hardware, which includes servers and voice, data, networking, inter-networking, and power protection equipment.

This manual describes the general installation and the customization of the NetShelter™ Open Architecture racks.

NetShelter™ Open Architecture racks are available in 600 mm (23.6 in.), and 750 mm (29.5 in.) widths, 19 in. 1U Adapter Bracket (SEOCP8103) is available to accommodate 19 in. EIA / ECA telecommunications equipment.

Safety

Read the instructions carefully to become familiar with the equipment before trying to install, operate, service or maintain it. The following messages may appear throughout this manual or on the equipment to warn of potential hazards or to call attention to information that clarifies or simplifies a procedure.



The addition of this symbol to a Danger or Warning safety label indicates that an electrical hazard exists which will result in personal injury if the instructions are not followed.



This is the safety alert symbol. It is used to alert you to potential personal injury hazards. Obey all safety messages that follow this symbol to avoid possible injury or death.

⚠ DANGER

DANGER indicates a hazardous situation which, if not avoided, **will result in** death or serious injury.

Failure to follow these instructions will result in death or serious injury.

⚠ WARNING

WARNING indicates a hazardous situation which, if not avoided, **could result in** death or serious injury.

Failure to follow these instructions can result in death, serious injury or equipment damage.

⚠ CAUTION

CAUTION indicates a hazardous situation which, if not avoided, **could result in** minor or moderate injury.

Failure to follow these instructions can result in injury or equipment damage.

NOTICE

NOTICE is used to address practices not related to physical injury. The safety alert symbol is not used with this type of safety message.

Failure to follow these instructions can result in equipment damage.

Qualified Personnel

Electrical equipment should be installed, operated, serviced, and maintained only by qualified personnel. No responsibility is assumed by APC for any consequences arising out of the use of this material.

A qualified person is one who has skills and knowledge related to the construction, installation, and operation of electrical equipment and has received safety training to recognize and avoid the hazards involved.

Safety instructions for Rack

This manual contains important instructions that must be followed during the installation and customization of the cabinet.

⚠️⚠️ DANGER

HAZARD OF ELECTRIC SHOCK

- The rack must be connected to the building Common Bonding Network (CBN).
- Ground wires on the doors must be connected while the doors are installed.

Failure to follow these instructions will result in death or serious injury.

⚠️ WARNING

TIP/HEAVY EQUIPMENT HAZARD

- This rack is easily tipped. Use extreme caution when unpacking or moving.
- Use at least two people to unpack and move the rack.
- Before moving the rack on its casters, load 295 kg (650 lb) of equipment into the bottom of the rack for extra stability.
- When moving the rack on its casters, make sure the leveling feet (optional) are in the fully raised position and push the rack from the front or rear. Never push the rack from the sides.

Failure to follow these instructions can result in death, serious injury, or equipment damage.

⚠️ WARNING

FALLING EQUIPMENT HAZARD

- Remove all equipment installed on the vertical mounting rails before performing any adjustments.
- Use at least two people to install, remove, or reverse the doors.

Failure to follow these instructions can result in death, serious injury, or equipment damage.

NOTICE

Caster Loads: The rack can be moved on its casters with up to 800 kg (1,764 lbs) without center support / 1600 kg (3,527 lbs) with center support of equipment installed (the Dynamic Load). Once in place, lower the leveling feet. With the leveling feet lowered, the rack can be loaded with up to 2600 kg (5,732 lbs) of equipment (the Static Load).

Labels

Additional safety information is affixed to the rack.

Label ❶: Generic Tip Hazard Warning.

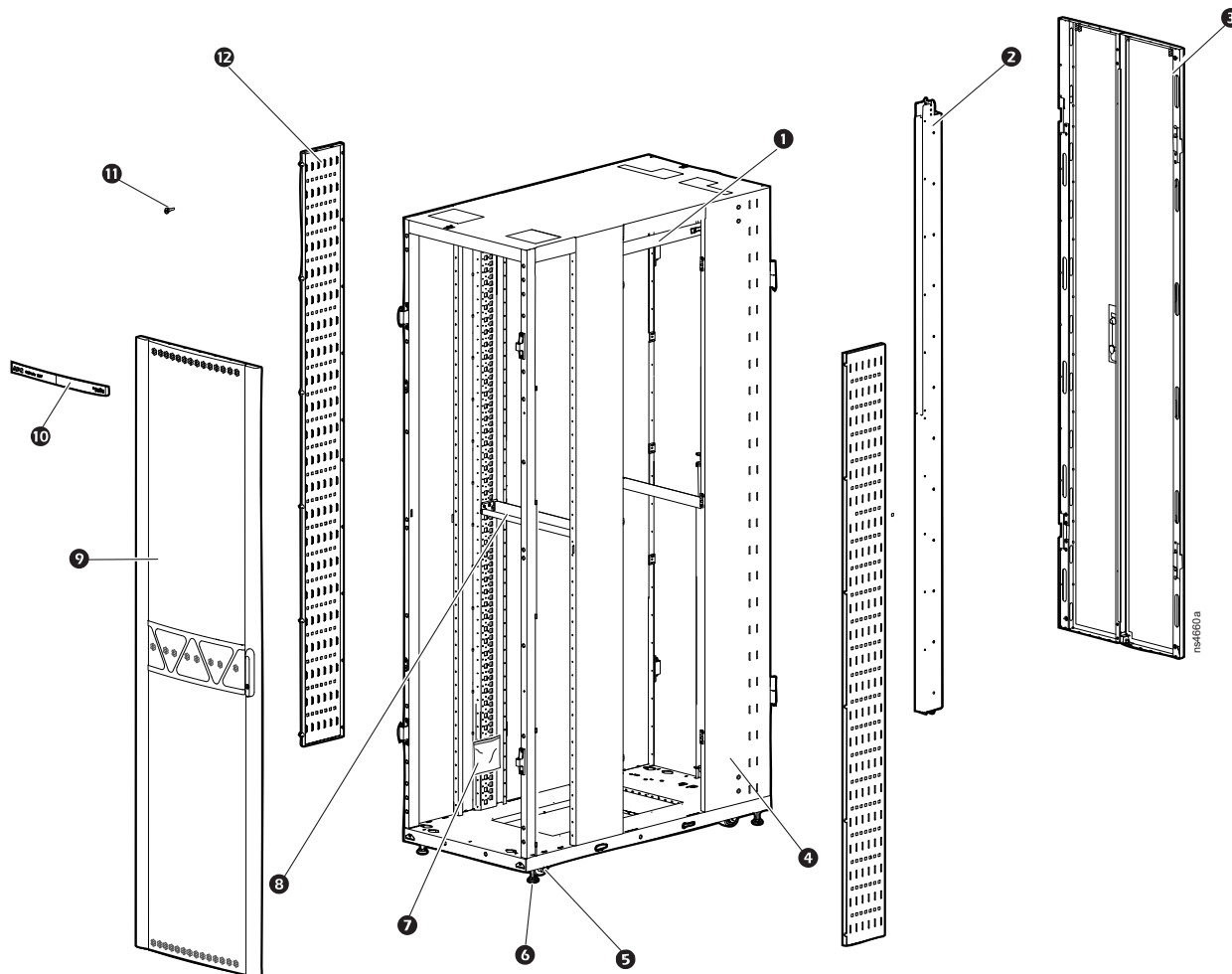
Label ❷: Dynamic Load, the maximum load of the rack while moving on its casters, is 800 kg (1,764 lbs) without center support / 1600 kg (3,527 lbs) with center support. Static Load, the maximum load of the rack while on its leveling feet, is 2600 kg (5,732 lbs).

Label ❸: Extend slide-mounted hardware one piece at a time. Do not extend loaded top-mounted sliding hardware unless the cabinet is secured to the floor.



Component Identification

Rack



- | | |
|-------------------------|---------------------------------|
| ❶ 10U PSU Slide Bracket | ❷ Hardware bag |
| ❸ Busbar | ❸ Center Support |
| ❹ Rear Door | ❹ Front door |
| ❺ Rack Frame | ❺ Logo badge |
| ❻ Caster | ❻ Key for doors and side panels |
| ❼ Leveling Feet | ❼ Cable Tray |

Hardware Bag Contents

Hardware



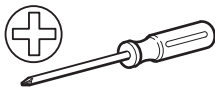
M5 x 12 Flat head
Phillips screw (4)

Tools Provided

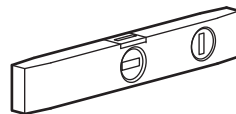


Torx® T30 / #2 Phillips tool

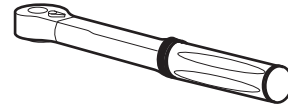
Tools Required (Not Provided)



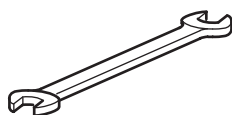
Phillips screwdriver



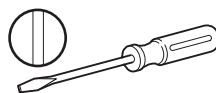
Level



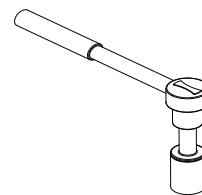
Torque wrench



19 mm and 24 mm, open-
ended wrench



Flat tipped screwdriver



8 mm, 13 mm, 18 mm and
24 mm, Hex driver



Torx® T25 screwdriver

Rack Installation

Move the Rack

⚠ WARNING

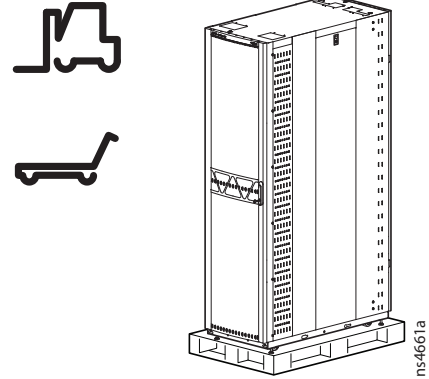
TIP HAZARD

- This rack is easily tipped. Use extreme caution when unpacking or moving.
- At least two people are required to unpack and move the rack.
- Before moving the rack on its casters, load 295 kg (650 lb) of equipment into the bottom of the rack for extra stability.
- Make sure the leveling feet are up and push the rack only from the front or rear when moving the rack on its casters. Never push the rack from the sides.

Failure to follow these instructions can result in death, serious injury, or equipment damage.

Move the Rack on its Pallet

The rack can be moved with a forklift or pallet jack only if the rack is still secured to its pallet.



Move the Rack on its Casters



The rack can be rolled on its casters to move it with at least two people pushing from the front or rear. Follow all Safety Information when moving the rack in this manner. The rack must have at least 295 kg (650 lb) of weight in the bottom of the rack for stability. The rack cannot weigh more than the listed dynamic load noted on the label, 800 kg (1,764 lbs) without center support / 1600 kg (3,527 lbs) with center support, when moved in this manner.

Level the Rack

The leveling feet at the corners of the rack provide a stable base if the floor is uneven, but they cannot compensate for a badly sloped surface.

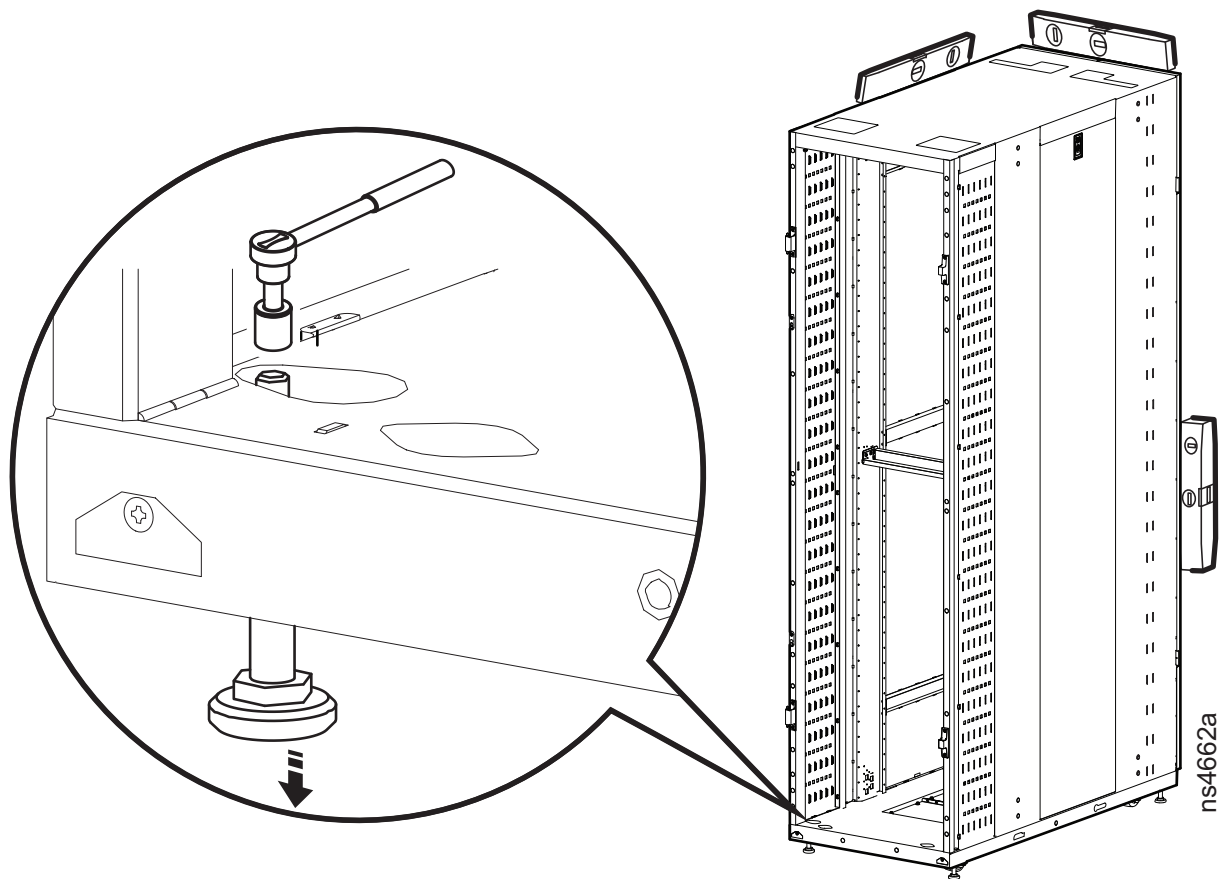
Level an Empty Rack

This method works best with an empty, or near empty, rack.

Make sure the rack is in its intended location. Remove the front and rear doors. See “Door Removal” on page 14 for instructions.

NOTE: Be sure to disconnect the ground wires and any other wire connections that may interfere with the removal of the doors.

1. Put a 8 mm hex driver on the head above the leveling foot. Turn the driver clockwise to extend the leveling foot until it makes firm contact with the floor.
3. Use a level while adjusting the feet until the rack is level and plumb.
4. Install the doors. See “Door Installation” on page 15 for instructions.

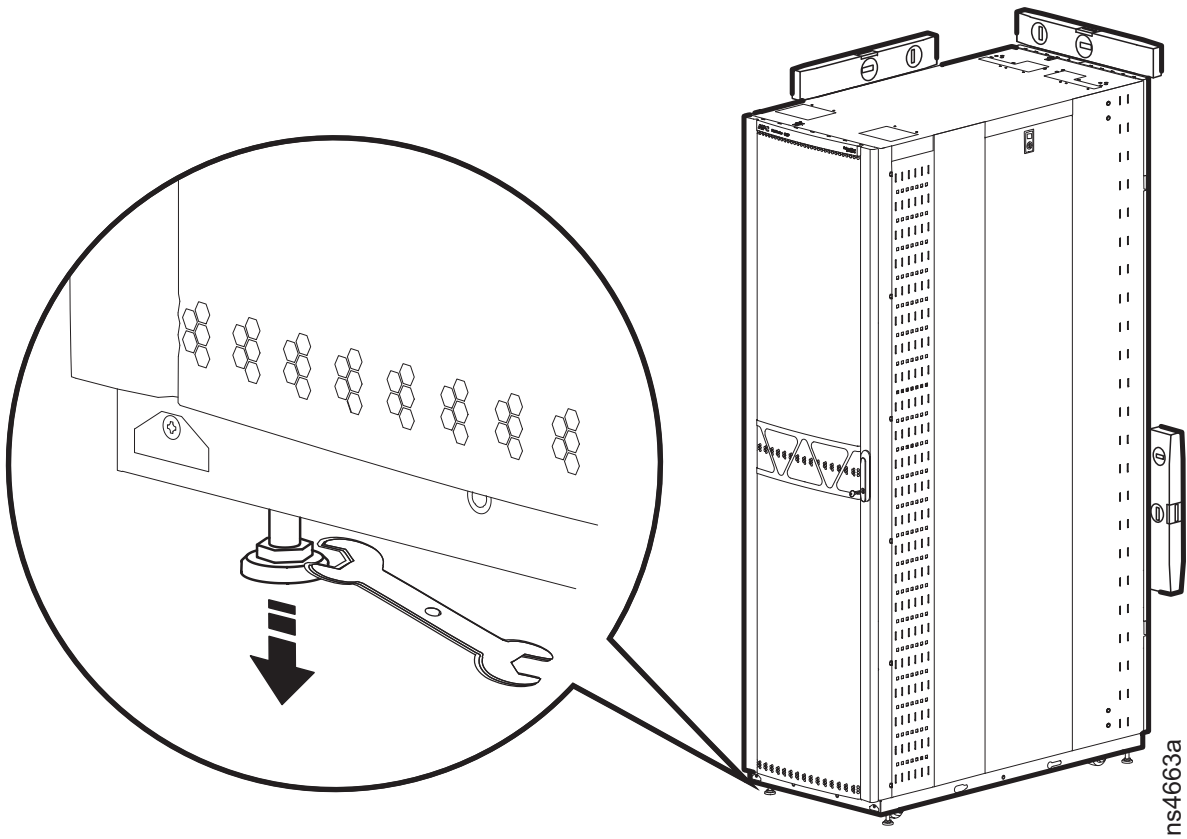


Level a Loaded Rack

This method works best if the rack is loaded with equipment.

NOTE: Door removal is not required if using this method.

1. Use a 19 mm, open-ended wrench to lower the leveling feet. Place the wrench on the nut of the leveling foot to lower or raise the foot.
2. Use a level while adjusting the feet. Adjust each leveling foot until the rack is level and plumb.



Join the Racks

Join two or more racks with the provided brackets to assist in alignment and increase stability. Racks can be joined with or without the side panels installed.

⚠ WARNING

TIP HAZARD

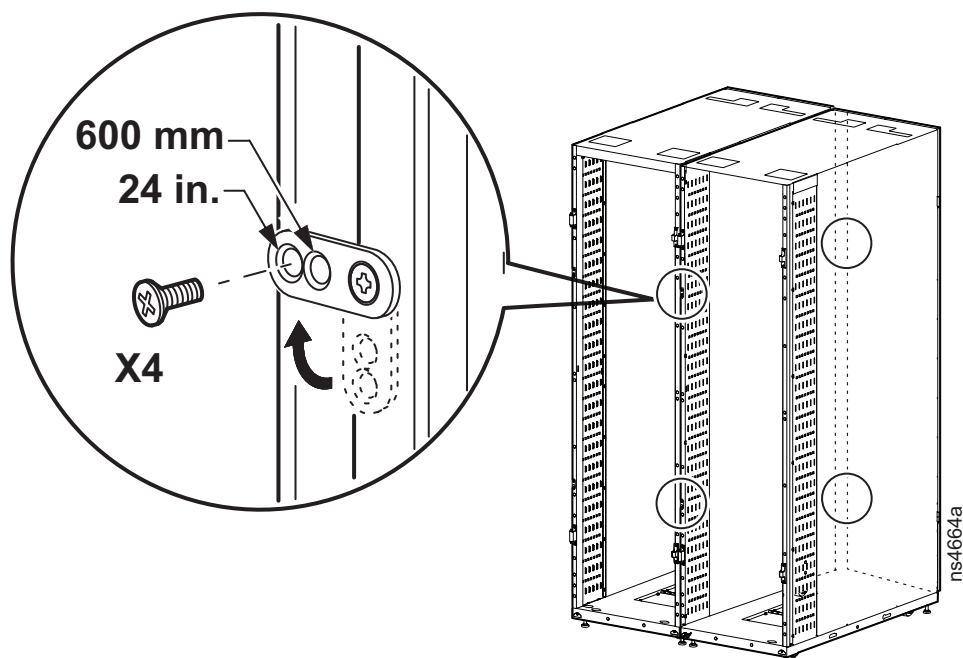
Joining racks provides limited stability to the racks. Secure the rack to the floor before installing equipment.

Failure to follow these instructions can result in death, serious injury, or equipment damage.

1. Make sure that the leveling feet are down and the racks are level. See “Level the Rack” on page 7.
2. Remove the front and rear doors. See “Door Removal” on page 14 for instructions.
NOTE: Be sure to disconnect the ground wires and any other wire connections that may interfere with the removal of the doors.
3. Locate the joining brackets. There are two brackets on the front and two brackets on the rear of each rack. Choose between 600 mm (23.6 in.) or 609.6 mm (24 in.) as shown in the illustration.

NOTE: If you choose to join the racks using the 609.6 mm (24 in.) holes in the mounting brackets, there will be a small space between the racks which can be filled using the air baffle kit for 600 mm width (23.6 in.) (SEOCP7106) or air baffle kit for 750 mm (29.5 in.) width (SEOCP7107), not provided.

4. Align and join the racks using one M5 x 12 U cut Phillips screw (provided in the hardware bag) per bracket. Insert a screw into the designated hole on each bracket. Use the Phillips head end of the provided tool or a Phillips head screwdriver to tighten the screws.
5. Install the doors. See “Door Installation” on page 15 for instructions.
NOTE: Be sure to connect the ground wires and any other wire connections that were disconnected when the doors were removed.



Grounding

⚠️ ⚠️ DANGER

HAZARD OF ELECTRIC SHOCK

- The rack must be connected to the building Common Bonding Network (CBN).
- Ground wires on the doors must be connected while the doors are installed.

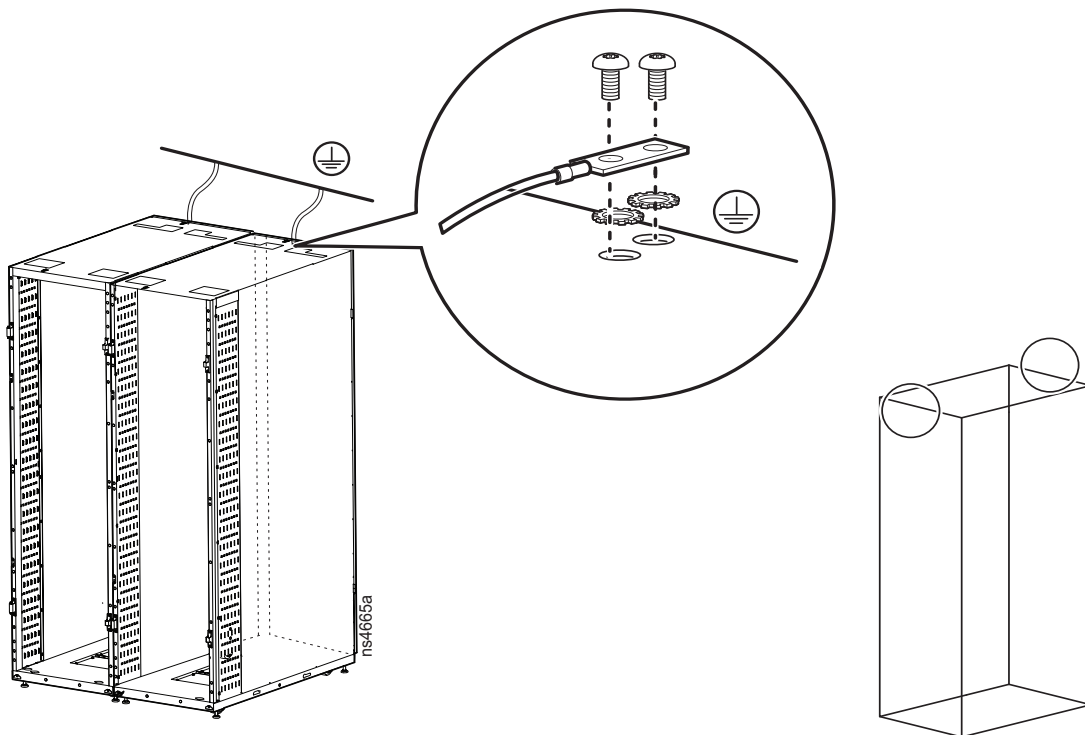
Failure to follow these instructions will result in death or serious injury.

Each rack should be bonded directly to a common ground using one of the designated grounding locations (two M5 x 0.8 nut features) at the top and bottom of the rack.

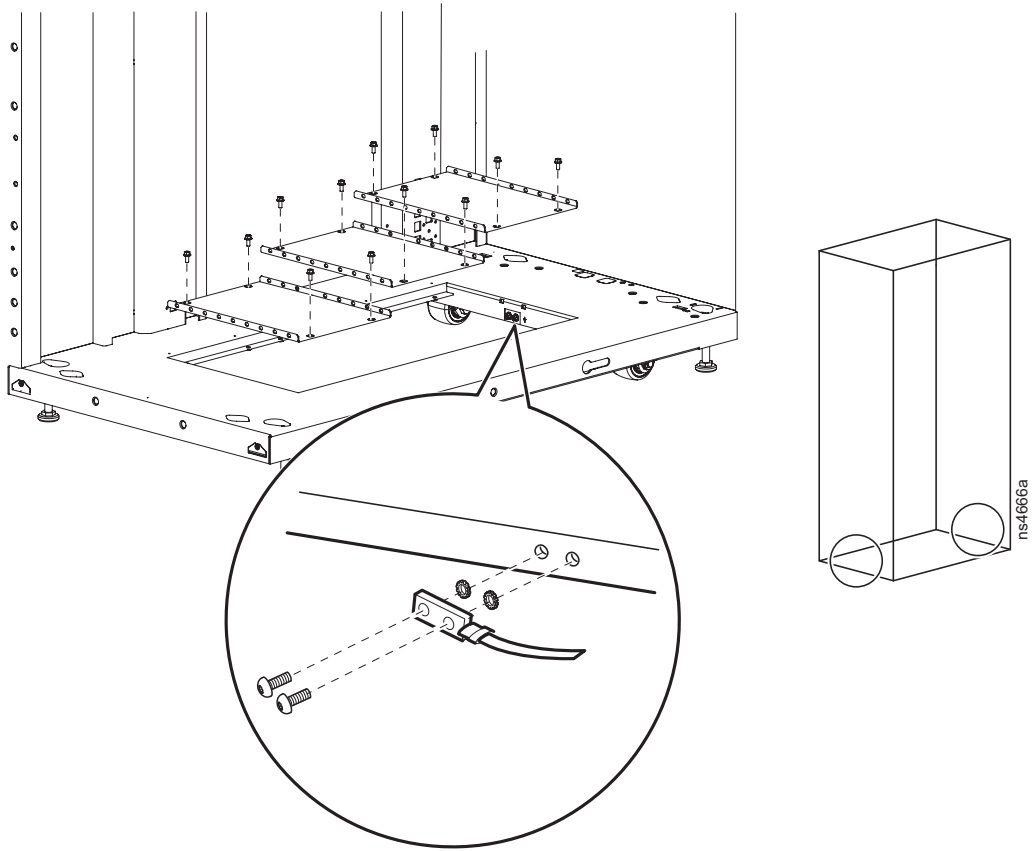
- Use a Data Center Telco Ground Lug as defined in FB PN: 18-000233 (not provided).
- Use paint-piercing washers (not provided) between the ground terminal and the rack frame, or remove the paint on the frame under the ground terminals, per NEC NFPA 70 Article 250.12.
- Torque the screws to 5 N•m (44 lb-in.).

Do not ground one rack to another rack in a cascading style. Ground each rack directly to the building ground.

Bonding Locations on the rack



NOTE: To use the bottom grounding points, remove the bottom covers.



Secure the Rack

⚠ WARNING

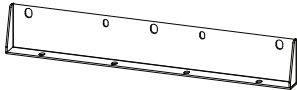
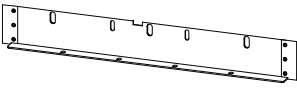
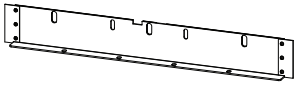
TIP HAZARD

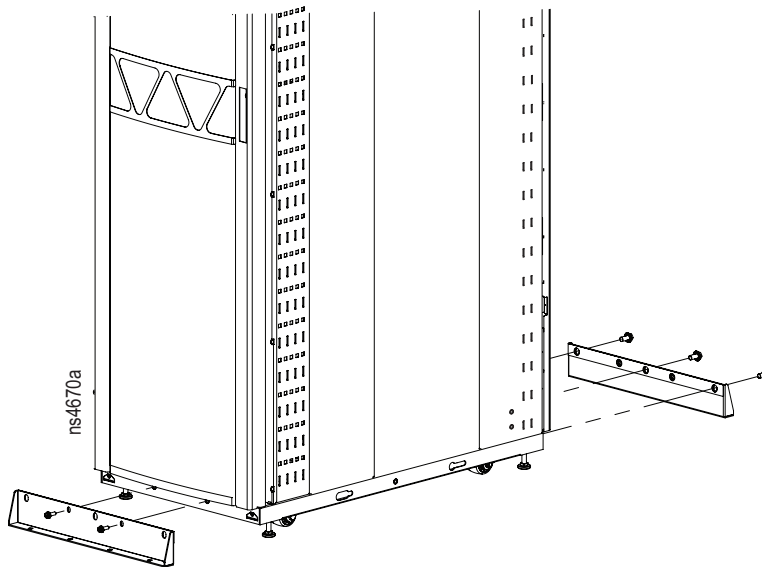
Secure the rack to the floor before installing equipment.

Failure to follow these instructions can result in death, serious injury, or equipment damage.

The rack can be bolted to the floor internally with four M16 bolts (not provided), or externally with the accessories shown below.

NOTE: Only bolt the rack to the floor internally or externally with the leveling feet lowered.

Accessory	Part Number	Description
Pallet/bolt-down brackets	Provided	Attaches to the rack and floor externally, to provide additional stability. 
Air Baffle Kit 600W	Option (SEOCP7106)	Attaches to the 600 mm (23.6 in.) wide rack and floor externally when joining the racks using the 24 in. (609.6 mm) holes in the mounting brackets, to provide additional stability and fill the small space between the racks. 
Air Baffle Kit 750W	Option (SEOCP7107)	Attaches to the 750 mm (29.5 in.) wide rack and floor externally when joining the racks using the 24 in. (609.6 mm) holes in the mounting brackets, to provide additional stability and fill the small space between the racks. 



Side Panels (SEOCP7104) (Optional, not provided)

⚠ WARNING

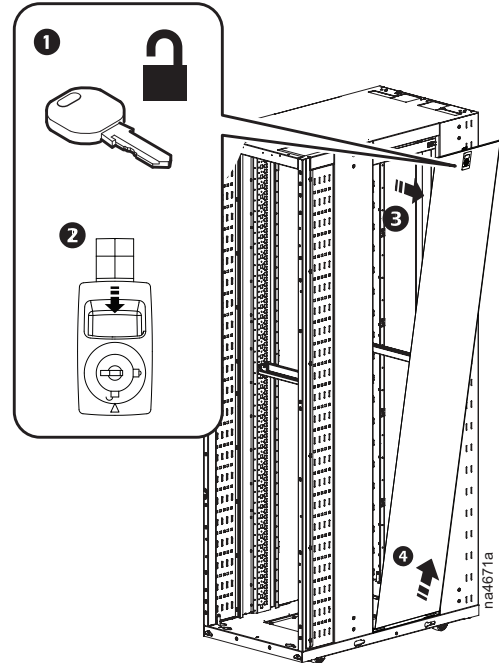
HEAVY EQUIPMENT HAZARD

The side panels are heavy. It is recommended that at least two people perform the removal and installation tasks.

Failure to follow these instructions can result in death, serious injury, or equipment damage.

Removal

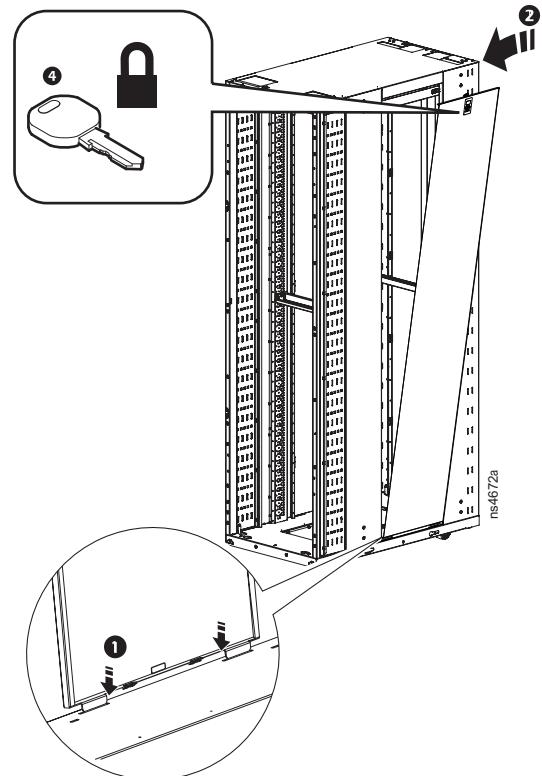
1. Unlock the side panel with the provided key.
2. Down the latch and open the side panel.
3. Tilt the side panel out.
4. Lift up the side panel to remove it from the mounting channel.



Installation

Reverse the removal task to install the side panel.

1. Lift the side panel up and place it into the channel.
2. Tilt the panel into the rack frame.
3. Make sure the latch is secured to hold the panel in position.
4. Lock the side panel with the key.



Doors

⚠ WARNING

HEAVY EQUIPMENT HAZARD

The doors are heavy. It is recommended that at least two people perform the removal and installation tasks.

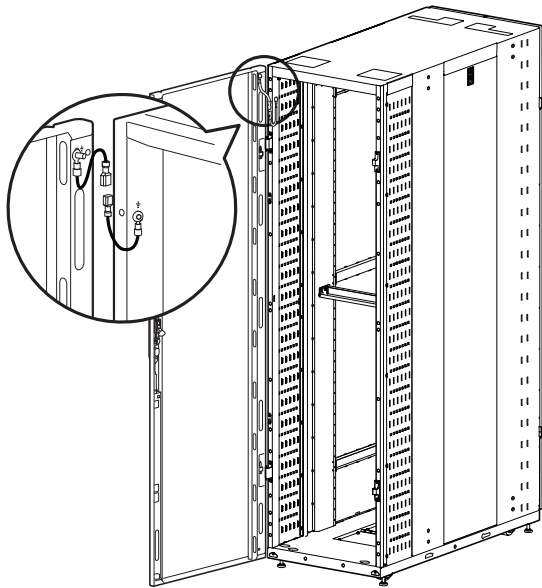
Failure to follow these instructions can result in death, serious injury, or equipment damage.

Door Removal

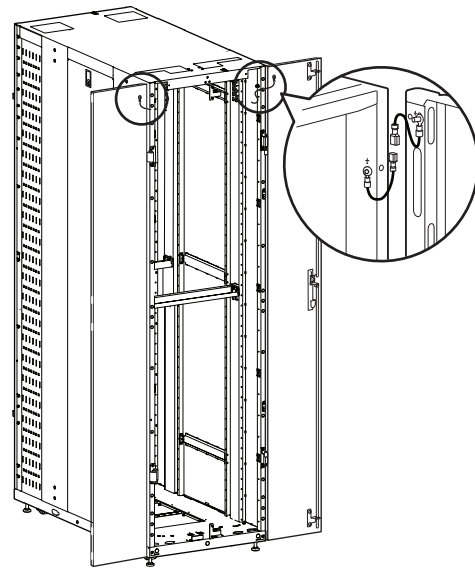
The front and rear doors are removed using the same steps.

1. Unlock the door handle and open the door.
2. Disconnect the ground wire and any other wire connections that may interfere with the removal of the doors.

NOTE: There is a ground wire on each door.

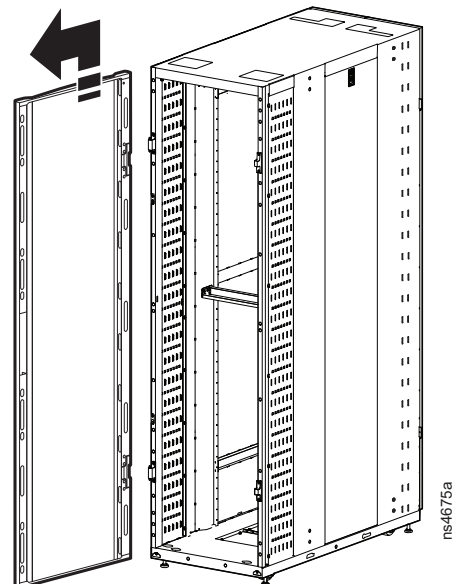


FRONT DOOR



REAR DOOR

1. The hinges come apart by lifting the door up and away from the rack.



Door Installation

The front and rear doors are installed using the same procedure.

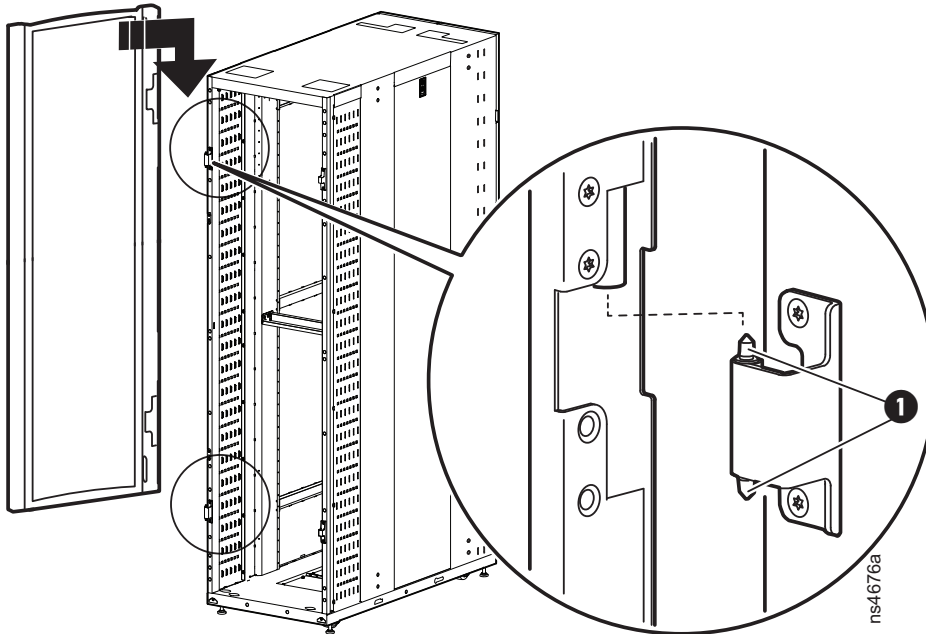
⚠ ⚠ DANGER

HAZARD OF ELECTRIC SHOCK

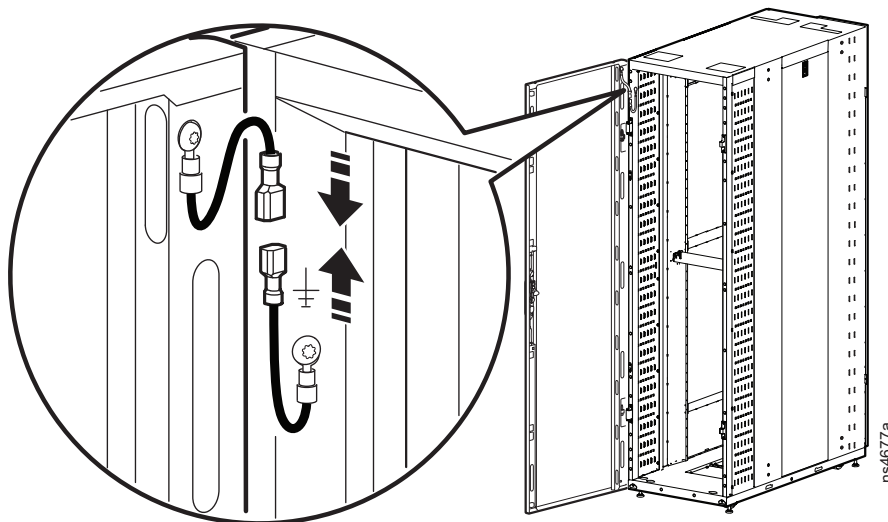
Ground wires on the doors must be connected while the doors are installed.

Failure to follow these instructions will result in death or serious injury.

1. Align the door with the hinge pins. With the door positioned at a 90-degree angle to the front of the rack, gently lower it into the rack frame. Make sure the door hinges are properly aligned with the hinge pins on the frame. When installed correctly, the door will self-align with the hinge pins.



2. Connect the ground wire on the door. Connect any other wires or cables that may have been disconnected when the door was removed. Close and lock the door.



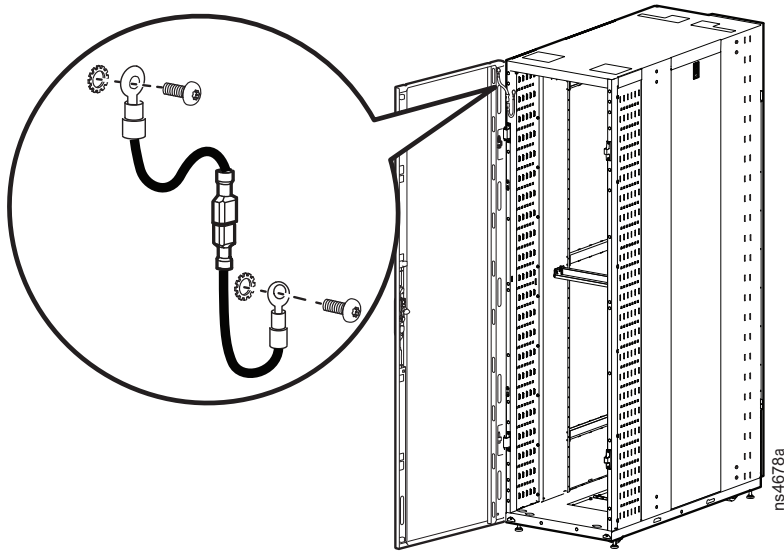
Reverse the Front Door

The front door can be reversed so that the door opens from the opposite side. This procedure assumes that initially, when facing the rack, the hinges are on the left and the door is opening from the right side.

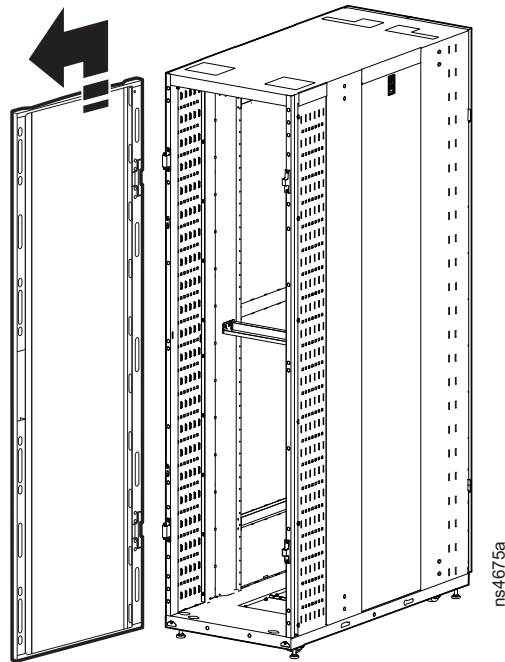
Remove the Front Door

⚠ WARNING
HEAVY EQUIPMENT HAZARD The doors are heavy. It is recommended that at least two people perform the removal and installation tasks. Failure to follow these instructions can result in death, serious injury, or equipment damage.

1. Remove the screws securing the ground wire to the door and frame.



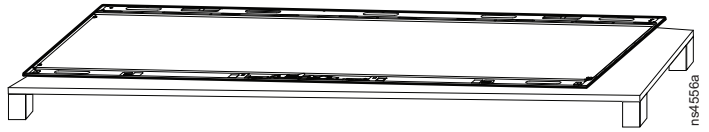
2. Remove the door. Follow the instructions for removing the front door on page 14.



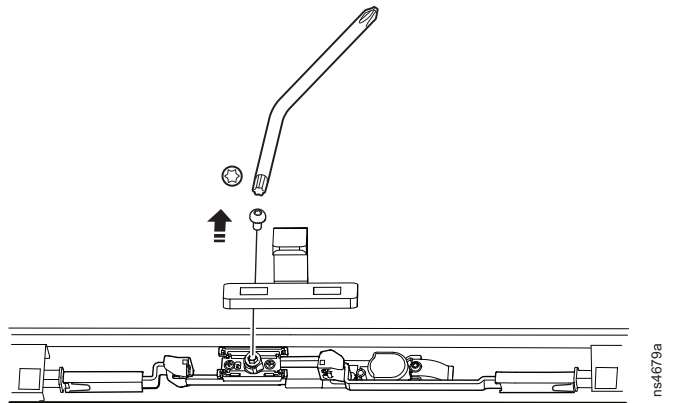
Reverse the Door Handle

NOTE: The door has been removed and placed on a flat surface.

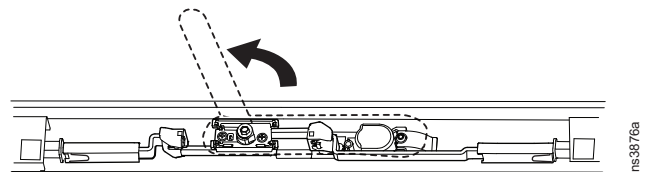
1. Lay the door on a flat surface.



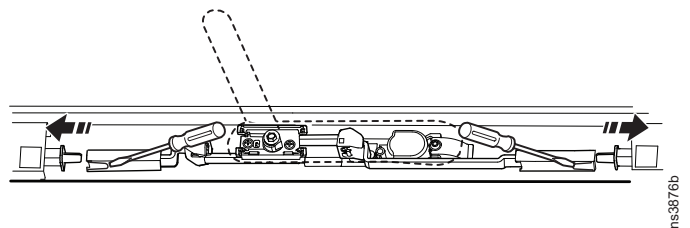
2. Remove the T30 screw securing the cam to the locking mechanism.



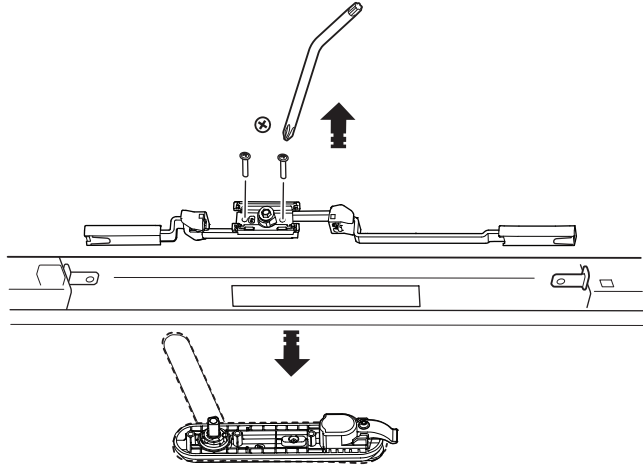
3. Turn the handle to the open position.



4. Use a flat-tipped screwdriver to release the locking mechanism from the plastic retaining brackets. Pull the retaining brackets from the latching ends of the locking mechanism.

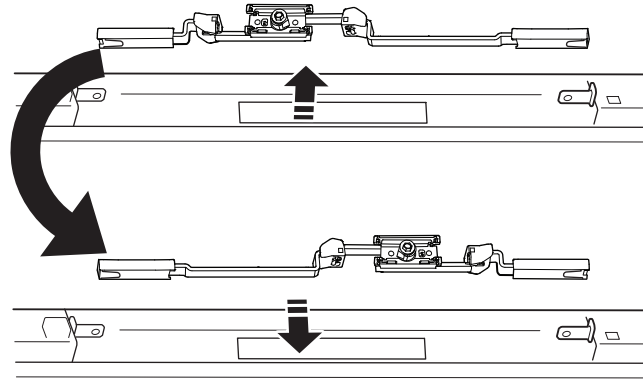


- Remove the Phillips head screws then, separate the handle assembly and locking mechanism from the door.



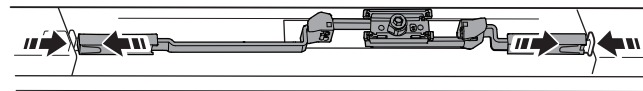
ns3877a

- Rotate the locking mechanism assembly 180° as shown in the illustration.



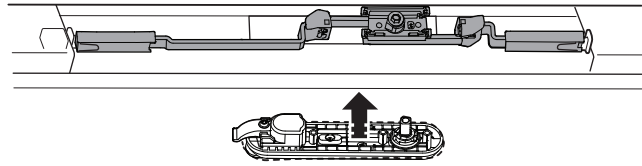
ns388ba

- Press the retaining brackets fully into the latching ends of the locking mechanism.



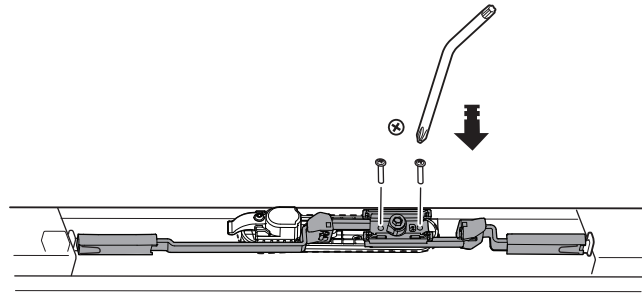
ns4509a

8. With the handle in the closed position, insert the handle assembly through the cutout in the door and into the locking mechanism.



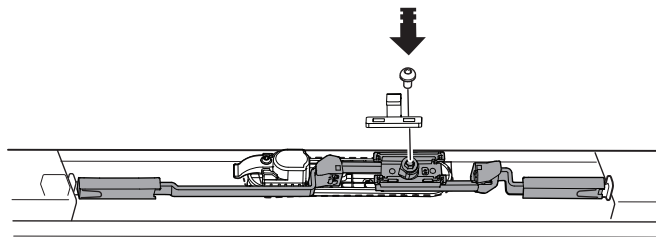
ns4561a

9. Secure the handle assembly to the locking mechanism with the two (2) Phillips head screws.



ns4569a

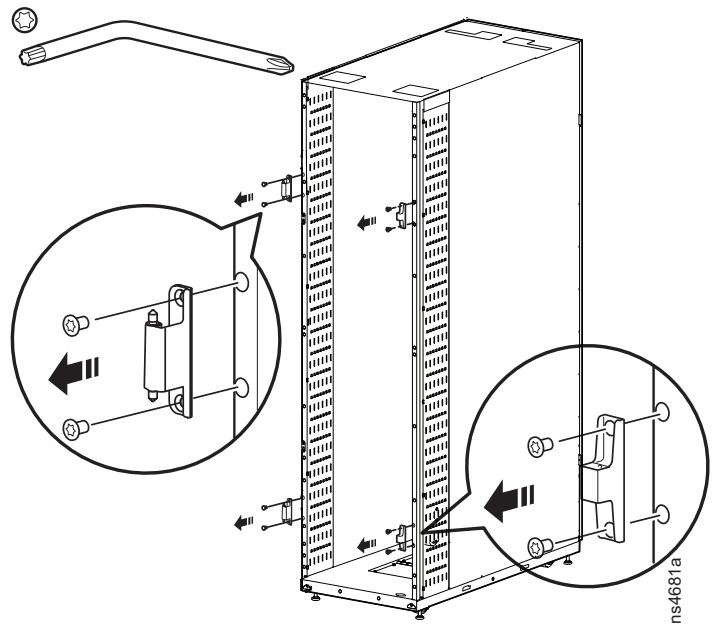
10. Another hole for fixing the cam (from its original position when removed). See Step 1 in "Reverse the Door Handle" on page 17 to confirm the correct position. Secure the cam to the locking mechanism with the T30 screw.



ns4680a

Reverse the Hinges and Latches

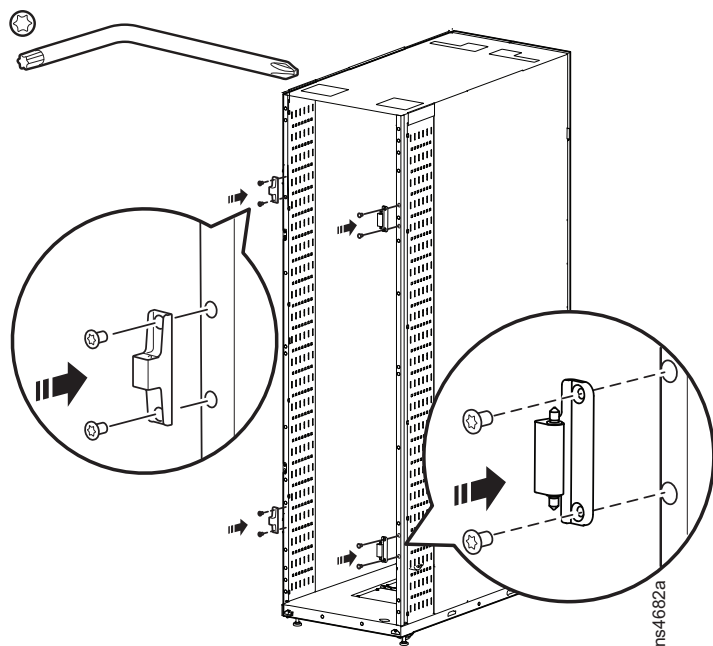
1. Remove the T30 screws securing the hinges and latches to the rack. Remove the hinges and latches. Save the T30 screws, hinges, and latches for the installation step.



2. Use the T30 screws removed in the previous step to install the hinges and latches.

Install the hinges on the right side of the rack where the latches were removed.

Install the latches on the left side of the rack where the hinges were removed.



Install the Door

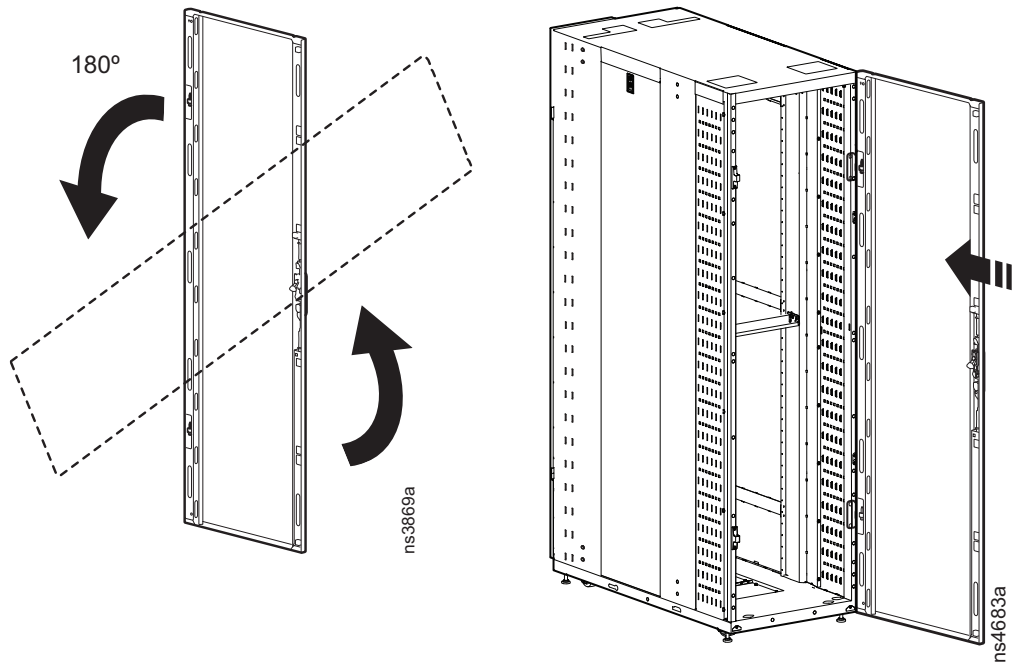
⚠️ DANGER

HAZARD OF ELECTRIC SHOCK

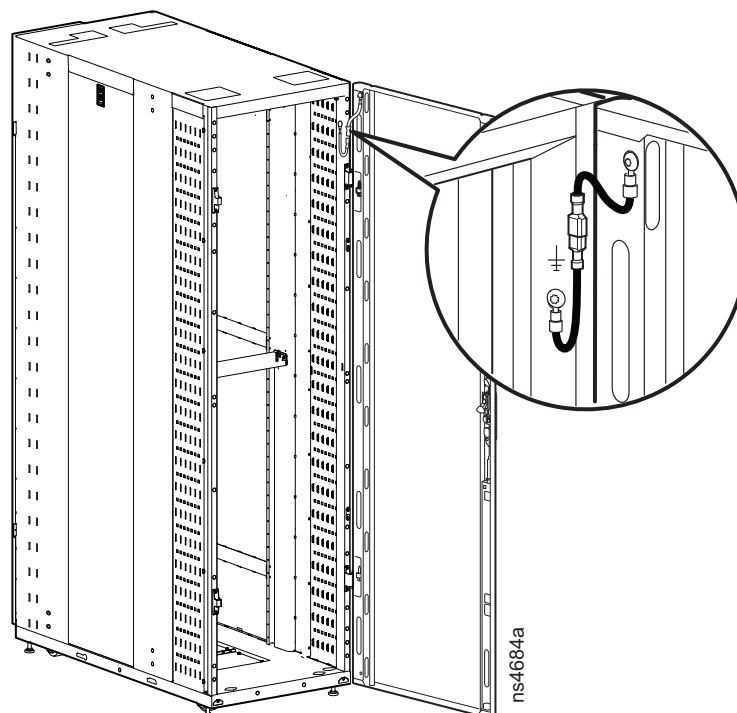
Ground wires on the doors must be connected while the doors are installed.

Failure to follow these instructions will result in death or serious injury.

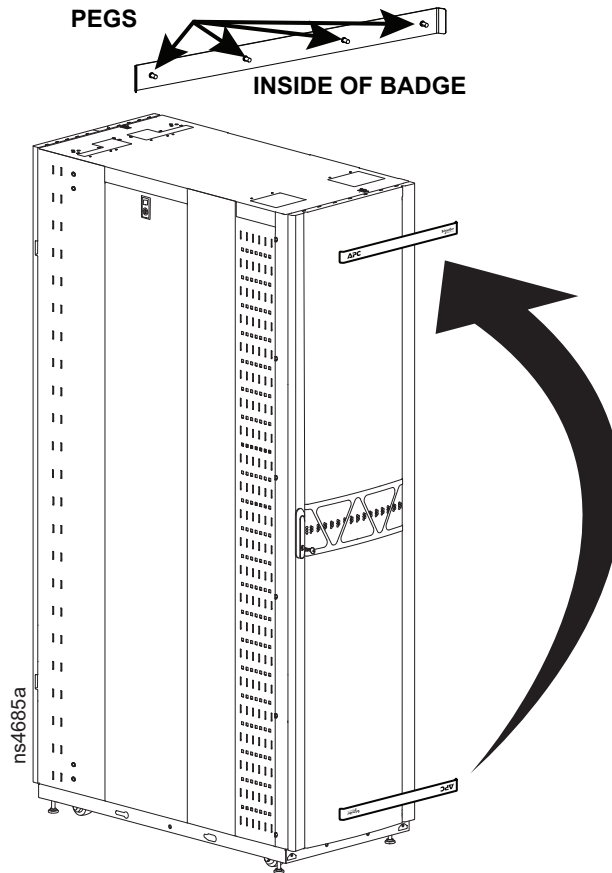
1. The door, with its locking mechanism reversed, is rotated 180° from its original position to install to the hinges. The hinges and latches have been moved to the new configuration. Follow the "Door Installation" instructions on page 15.



2. Install the ground wire on the right side of the frame where the hinges are located and to the door.



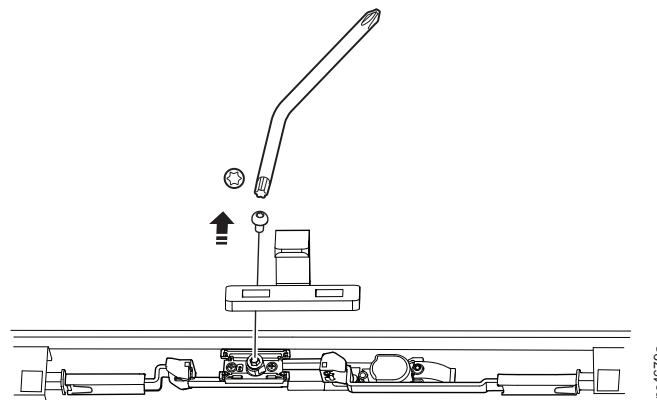
- Reverse the logo badge. Once the door has been reversed, the logo badge will now be on the bottom of the door. Push the four (4) pegs that hold the logo badge through the holes of the mesh in the door. Rotate the logo badge and install to holes in the mesh at the top of the door.



Install the Front Door at the Rear

- Follow the same procedure as in the front, see “Door Installation” instructions on page 15.
- Except that the cam must be removed, and the door should be locked using only the upper and lower latches. Refer the illustration below.

Note: The rear door cannot be installed on the front.



Cable Tray and Binding Bracket

Cable Tray

The NetShelter™ Open Architecture rack has multiple cable access openings on the roof and bottom. Refer ❶ to in the illustration. Route and organize cables using these openings.

Two cable trays ❷ are provided with the rack, they provide tie-off locations for cables, as well as square holes for managing cables with APC equipment AR7540, AR7540100 and AR8621.

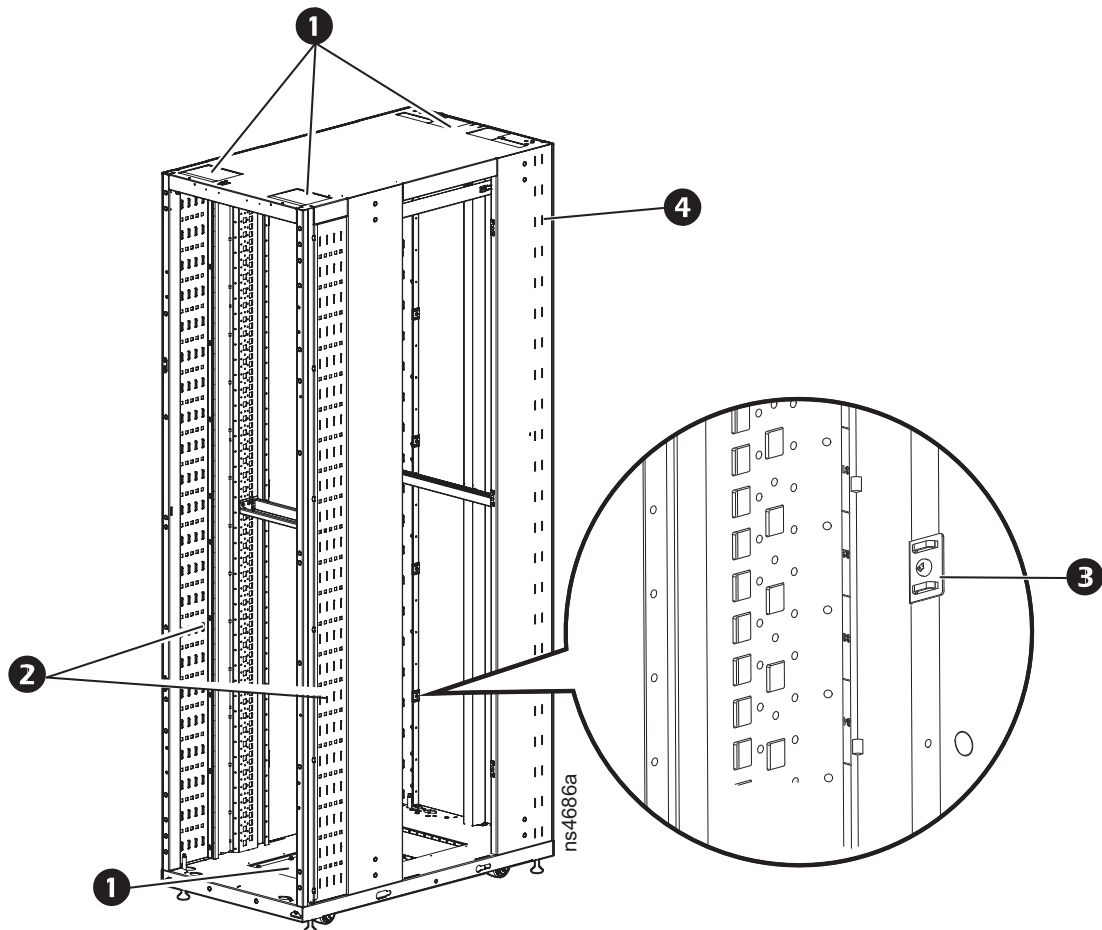
Binding Bracket

The NetShelter™ Open Architecture rack has five binding brackets installed on each of the left-rear and right-rear posts with T30 screws.

Refer to ❸ in the illustration, secure and organize cables using these binding brackets.

These binding brackets are removable and able to be moved up and down on the holes spaced 100 mm apart.

Note: Refer to ❹ in the illustration, there are tie-off locations for cables on the left-rear and right-rear posts.



Busbar

The NetShelter™ Open Architecture rack is equipped with a busbar at the rear, which can transmit DC power between the power supply and the equipment.

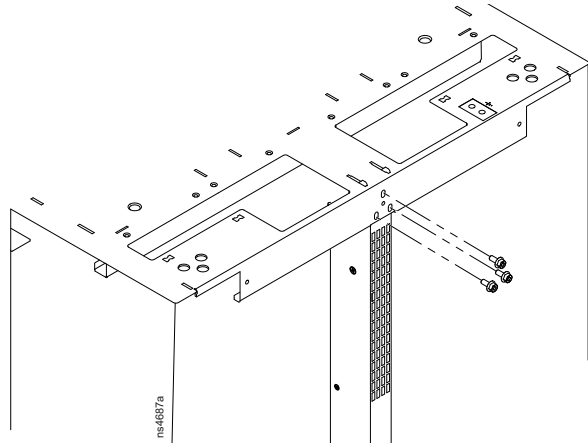
Max 425 A for the busbar provided with the 1068 mm (42 in.) depth rack.

Max 1400 A for the busbar provided with the 1200 mm (47.2 in.) depth rack.

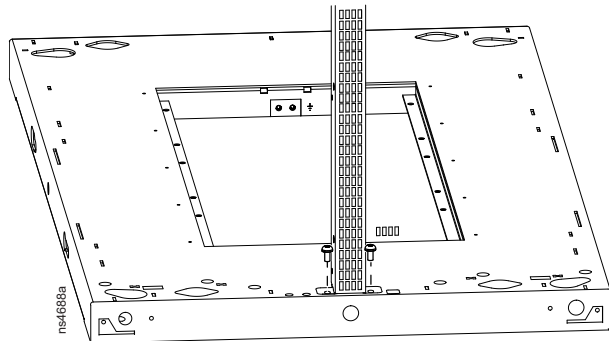
⚠ WARNING
HEAVY EQUIPMENT HAZARD The busbar is heavy. It is recommended that at least two people perform the removal and installation tasks. Failure to follow these instructions can result in death, serious injury, or equipment damage.

Removal

1. Remove the three M5 screws that secures the busbar to the rear roof of the rack

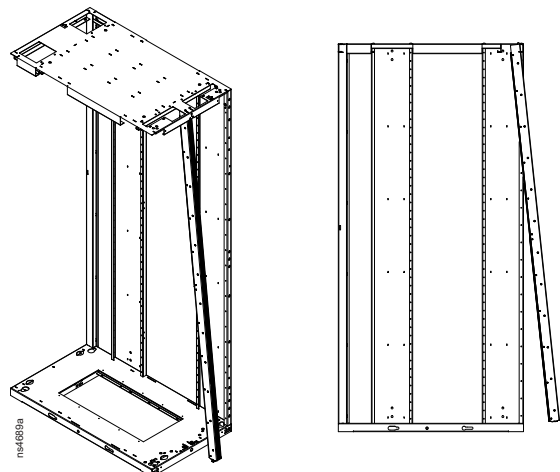


2. Remove the two T30 screws that secures the busbar to the rear bottom of the rack.



3. Tilt the top of the busbar forward.

4. Lift the bottom of the busbar out of the holes on the bottom of the rack.

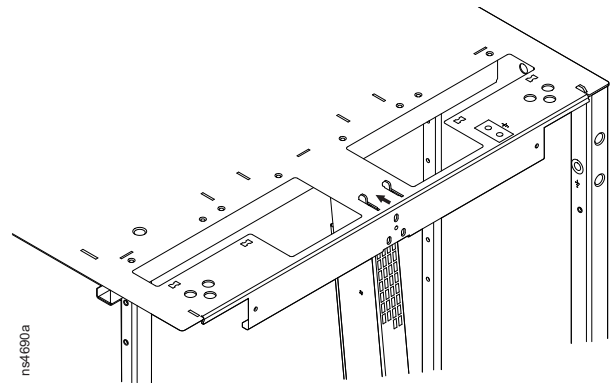


5. Move and remove the busbar out from the rear of the rack.

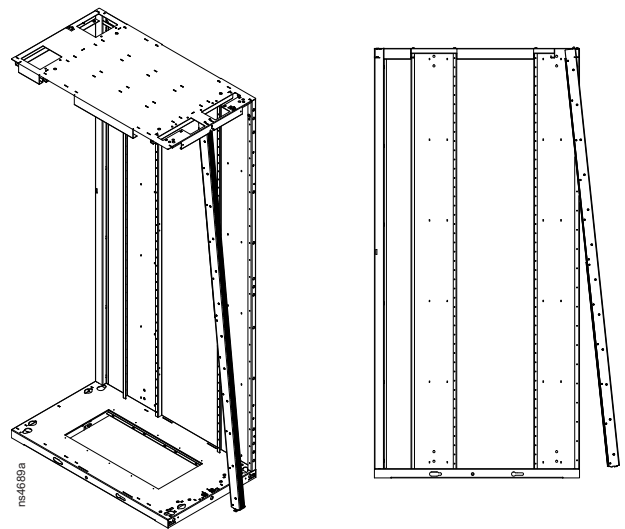
Installation

Reverse the removal task to install the side panel.

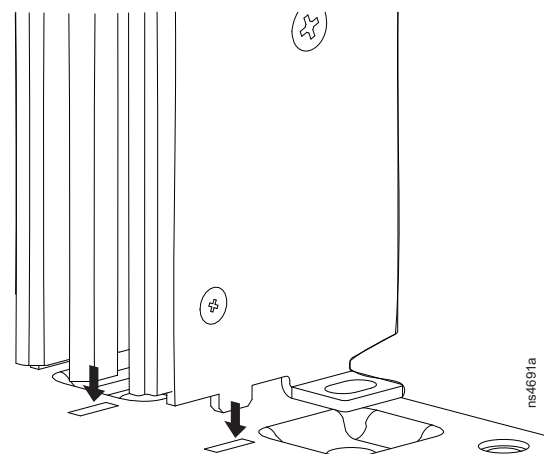
1. Install the top pins of the busbar into the holes on the rear roof of the rack.



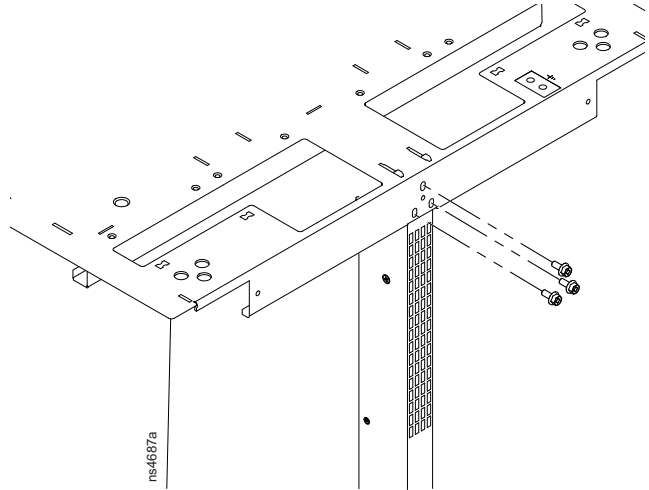
2. Tilt and install the busbar into the rack slowly.



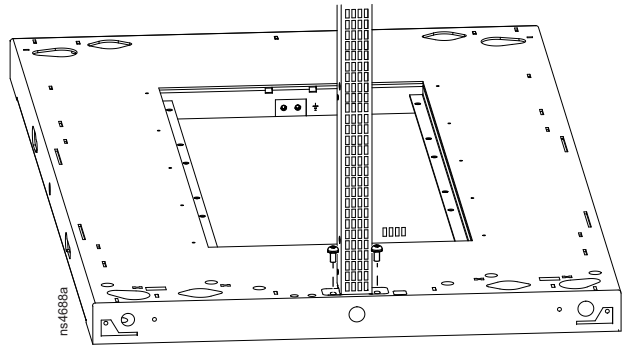
3. Install the bottom pins of the busbar into the holes on the rear bottom of the rack.
4. Make sure the latch is secured to hold the busbar in position.



5. Install the three M5 bolts to secure the busbar to the rear roof of the rack.
6. Torque the bolts to 5 N.m (44 lbs-in.).

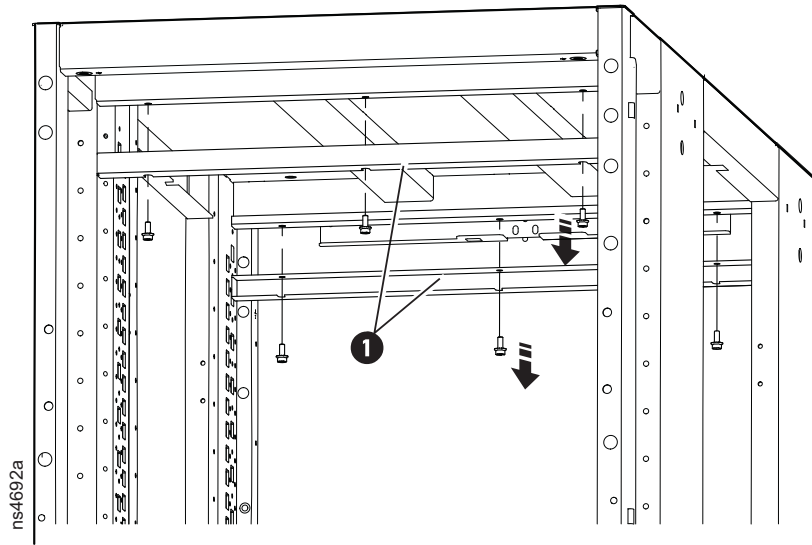


7. Install the two T30 screws to secure the busbar to the rear bottom of the rack.
8. Torque the screws to 6.9 N.m (60 lbs-in.).



Top Air Baffle

The NetShelter™ Open Architecture rack has two top air baffles installed on the front and rear inner sides of the roof with M5 bolts. Refer to ❶ in the illustration.



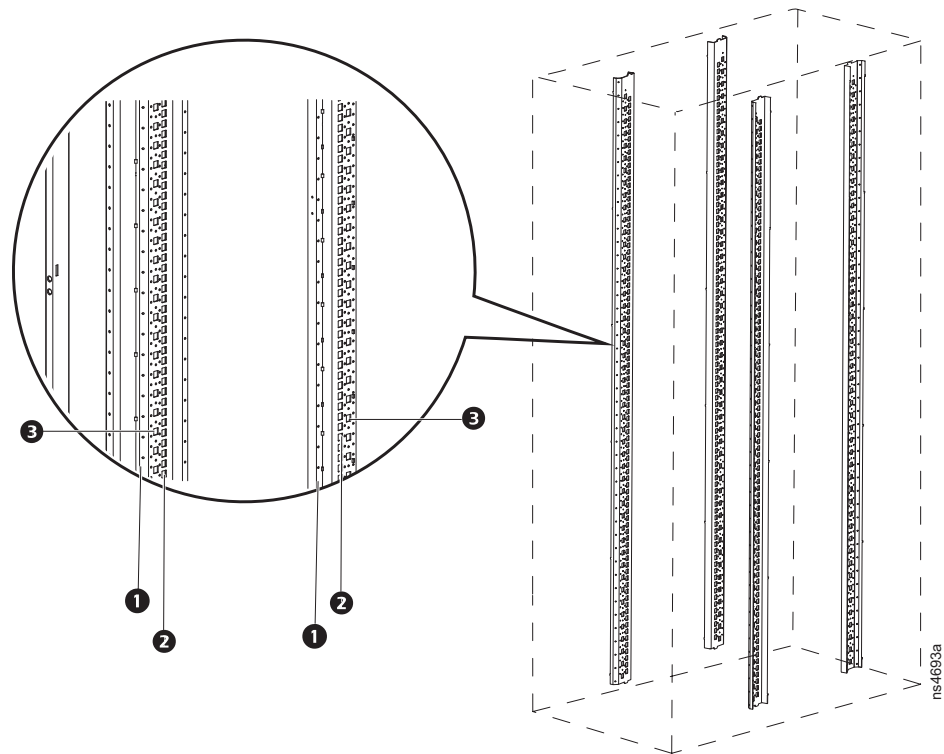
When using the height system of RU, the two top air baffles can be removed, and the working height of the rack will change from 44 OU to 48 RU.

Vertical Mounting Rail

The NetShelter™ Open Architecture rack has vertical mounting rails welded to the middle and rear posts on both sides. Refer to ❶ in the illustration. Four types of optional brackets can be installed on the vertical mounting rails.

The inner OU square hole ❷ is used to install the OU bracket.

The outer RU square hole ❸ is used to install the RU bracket.

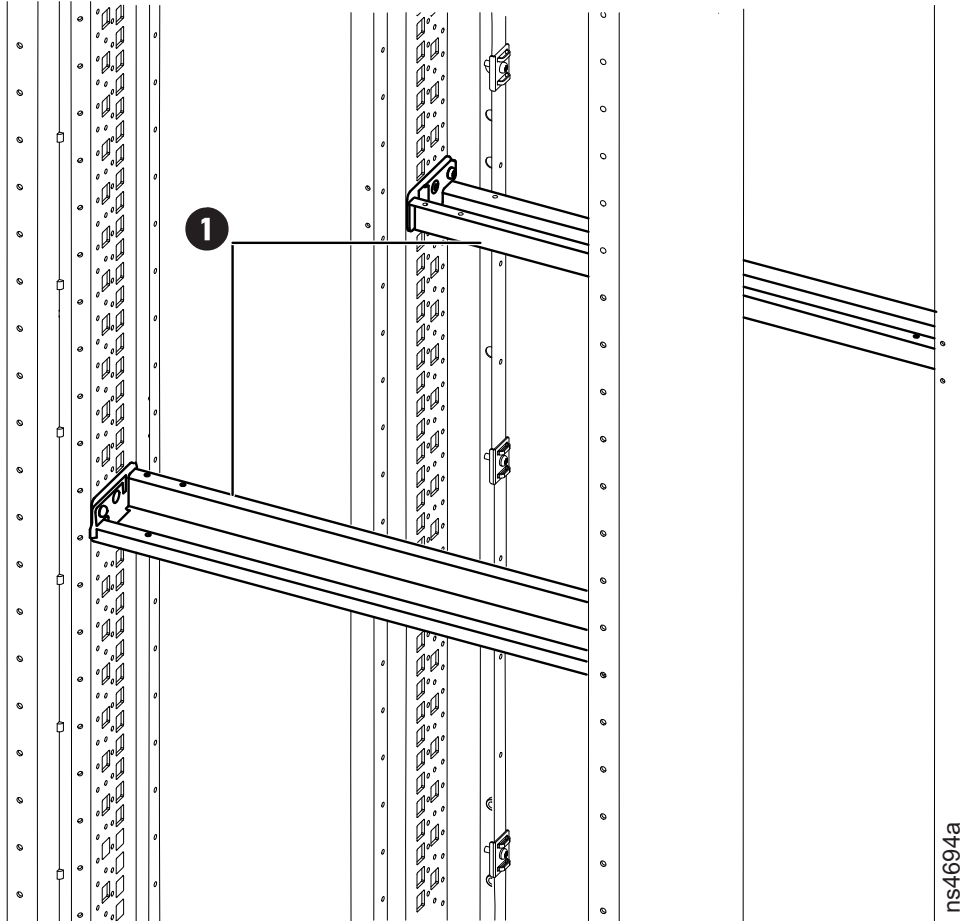


Center Support

The NetShelter™ Open Architecture rack has center support installed in the center of the vertical mounting rails. Refer to **1** in the illustration. Center support can increase the weight rating of the rack.

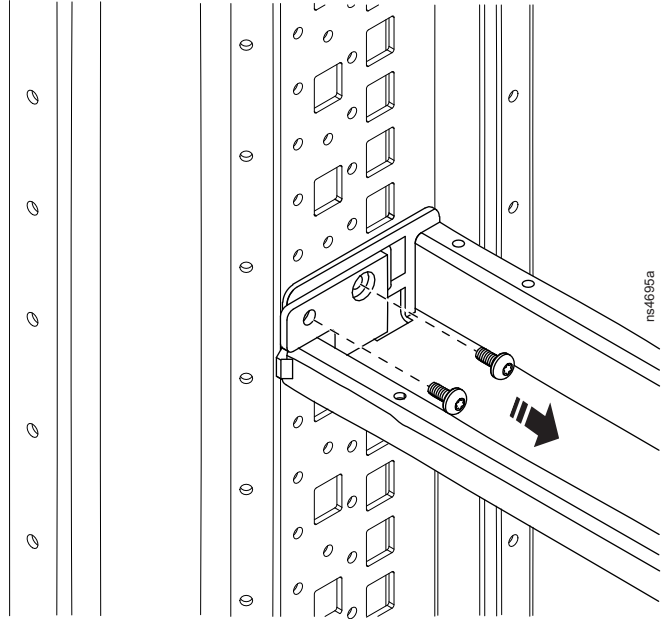
The center support is removable and able to be moved up and down ± 5 OU from center.

NOTE: The front and rear center support must be installed on the same level of OU.

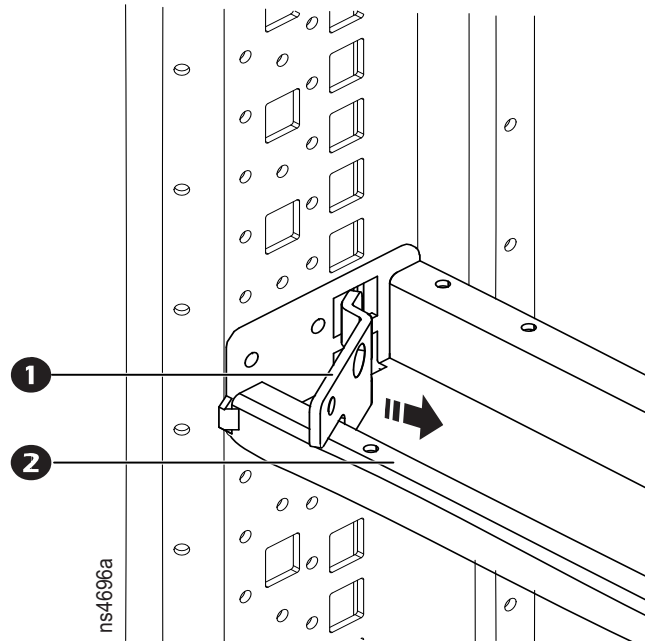


Removal

1. Remove the two T25 screws securing the center support to the vertical mounting rail.

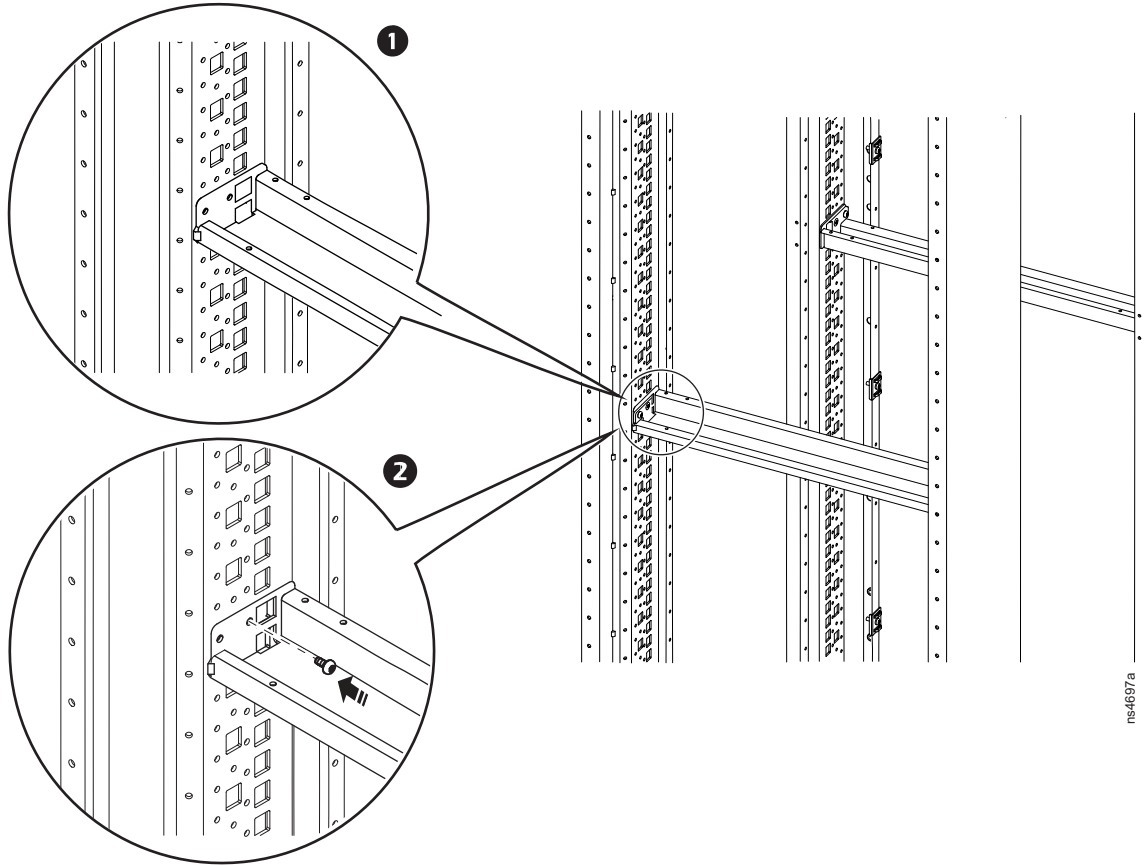


2. Remove the insert ❶.
3. Remove the center support body ❷.
4. Follow the steps above to remove another center support.



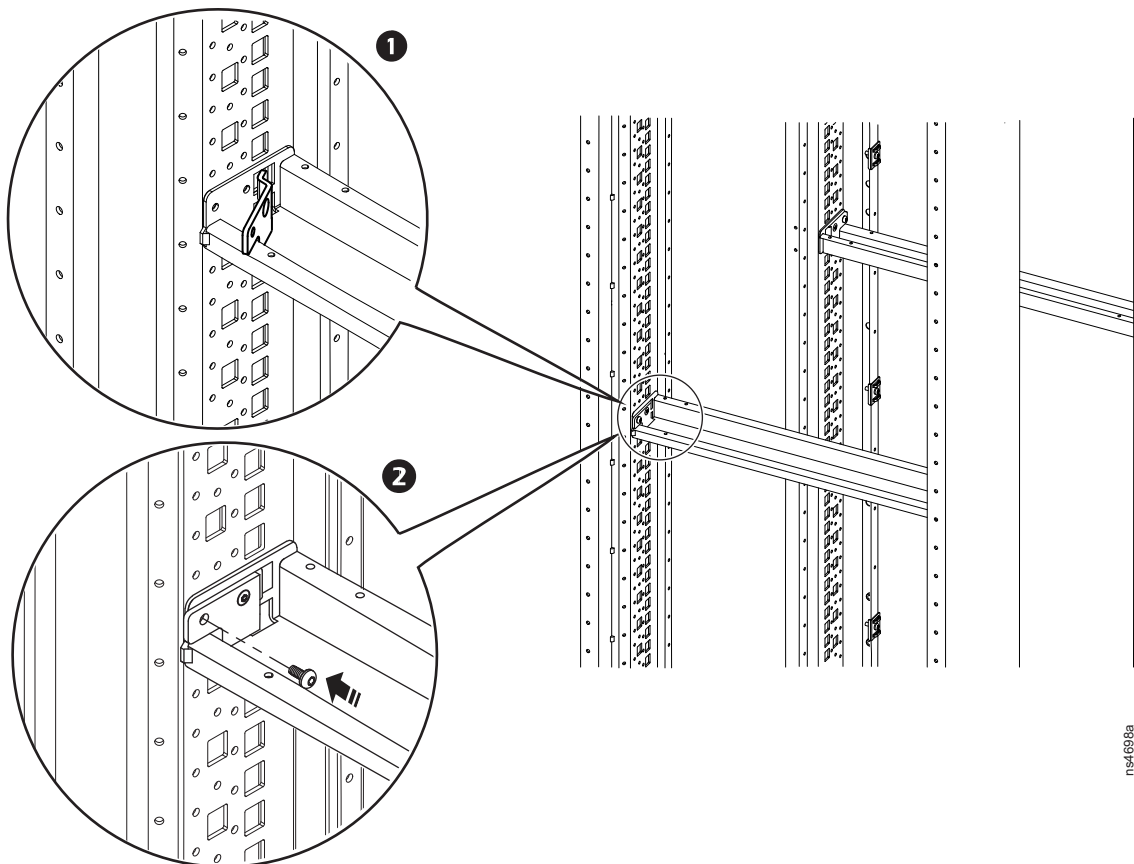
Installation

1. Place the center support body in the OU location to be installed, The higher side of the center support body should be placed inside. Refer to view **1** in the illustration.
2. Install the inner T25 screw, don't fix it all the way. Perform the same operation on the other side of the center support. Refer to view **2** in the illustration.



3. Install the two pins of the insert into the square holes on the vertical mounting rail. Refer to view **1** in the illustration.

4. Install the outer T25 screw to the end, then tighten the inner screw. Refer to view **2** in the illustration.



nsr4698a

5. Torque the all the screws to 5 N.m (44 lbs-in.)
6. Repeat steps 3 and 4 on the other side of the center support.
NOTE: The left insert and right insert are different and cannot be interchanged.

Levelling Feet

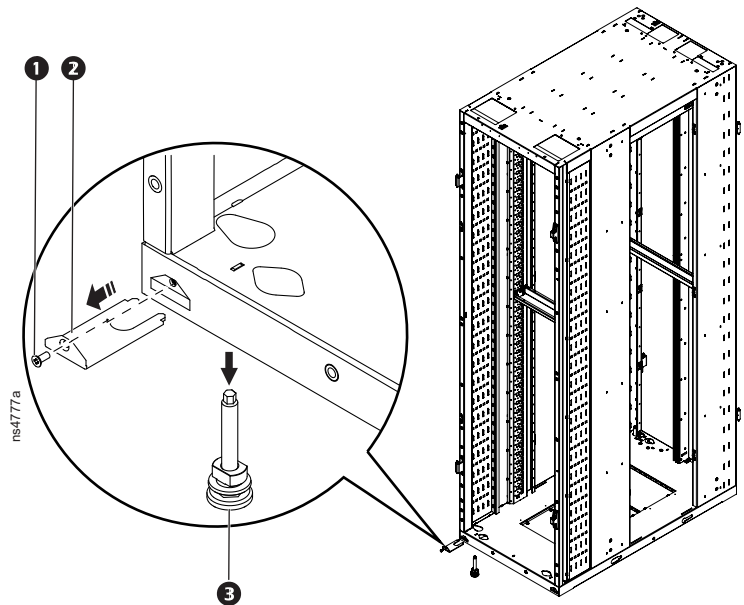
The NetShelter™ Open Architecture rack has Levelling Feet installed at the bottom of the rack.

Replace the Levelling Feet

NOTE: Before replacing the leveling feet, the rack must be fully supported to avoid tipping over.

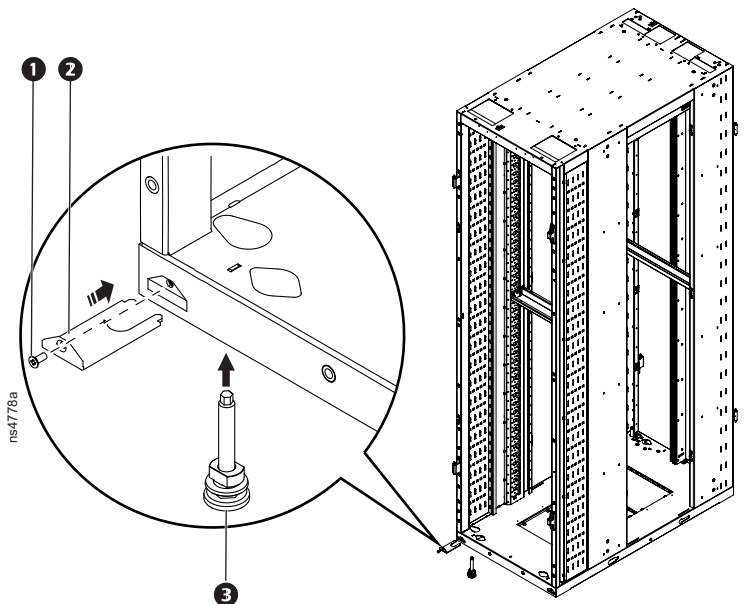
Removal

1. Raise the leveling feet to the top.
2. Remove the screw **1**.
3. Remove the lock plate **2**.
4. Allow the leveling feet **3** and nut to fall off.
5. Follow the steps above to remove another levelling feet.



Installation

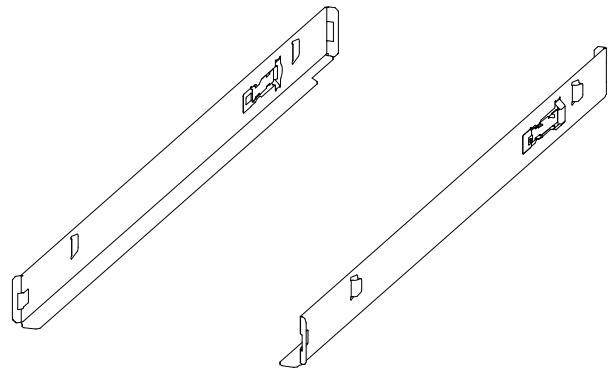
1. Replace the leveling feet **3** and install it into the mounting hole with the nut.
2. Install the lock plate **2**.
3. Install the screw **1**. Torque tighten the screw to 5 N.m.
4. Follow the steps above to install another levelling feet.



Accessories

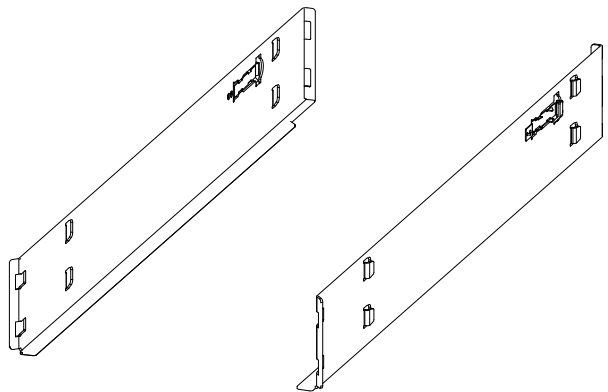
10U Slide Bracket (SEOCP8100, Qty 10)

10U slide bracket is used for installing OCP equipment with a width of 21 in. (533.4 mm) and a height of 10U. Maximum static load capacity of 60.47 kg (133.3 lbs)



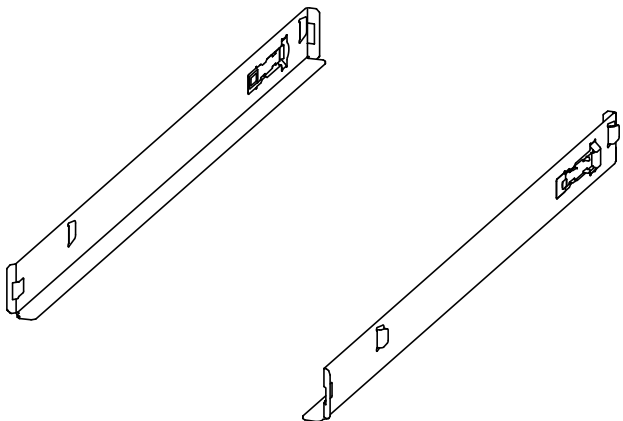
20U Slide Bracket (SEOCP8101, Qty 5)

20U slide bracket is used for installing OCP equipment with a width of 21 in. (533.4 mm) and a height of 20U. Maximum static load capacity of 123.8 kg (273 lbs).



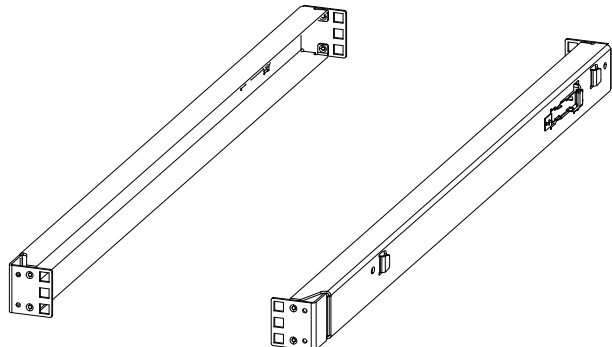
10U PSU Slide Bracket (SEOCP8102, Qty 2)

10U PSU slide bracket is used for installing OCP PSU equipment with a width of 21 in. (533.4 mm) and a height of 10U. Maximum static load capacity of 60.47 kg (133.3 lbs).



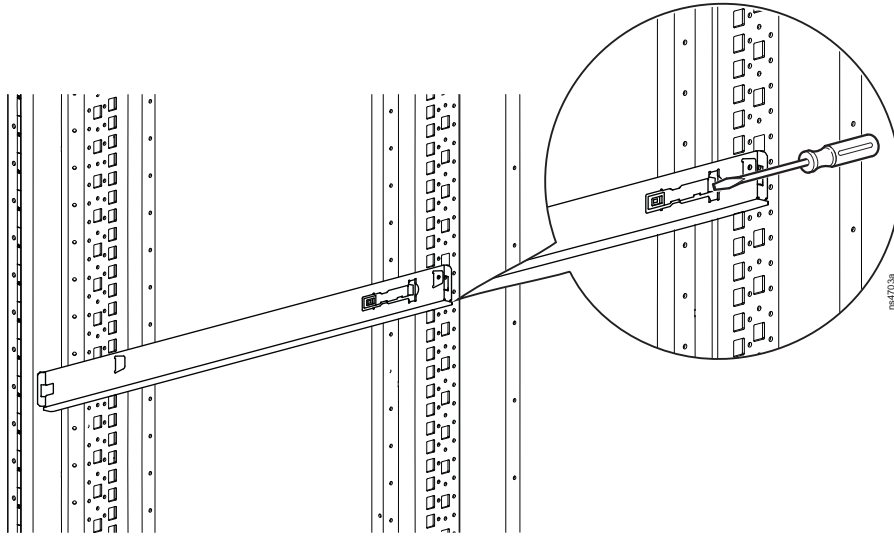
19" 1U Adapter Bracket (SEOCP8103, Qty 5)

19" 1U adapter bracket is used to change the installation width of 10U from 21 in. (533.4 mm) to 19 in. (483 mm) and provide industry standard (EIA/ECA 310) mounting holes. Maximum static load capacity of 60.47 kg (133.3 lbs).

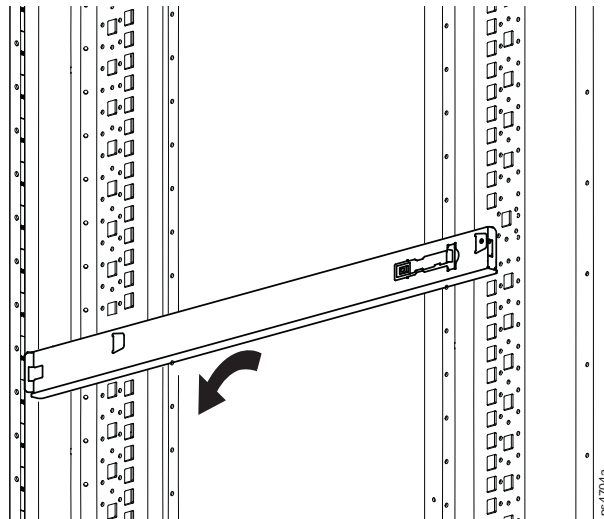


Removal

1. Install the head of the flat tipped screwdriver into the notch at the tail of the buckle on the bracket, and then press outward to detach the buckle from the rack.



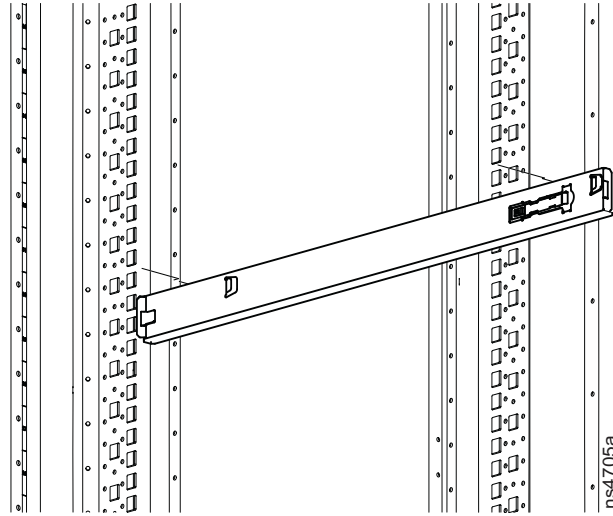
2. Maintain the first step while moving the bracket forward until the two hooks on the front and rear of the brackets detach from the OU square holes, then remove the bracket.



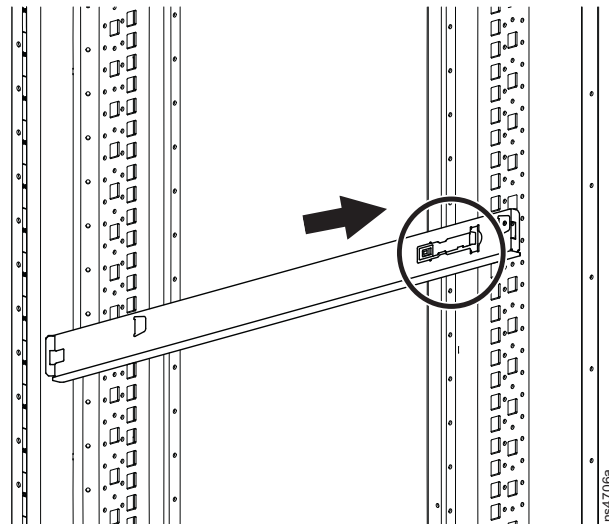
3. Follow the steps above to remove the mirror brackets at the mirror position.

Installation

1. Place the two hooks on the front and rear of the brackets into the OU square holes to be installed.



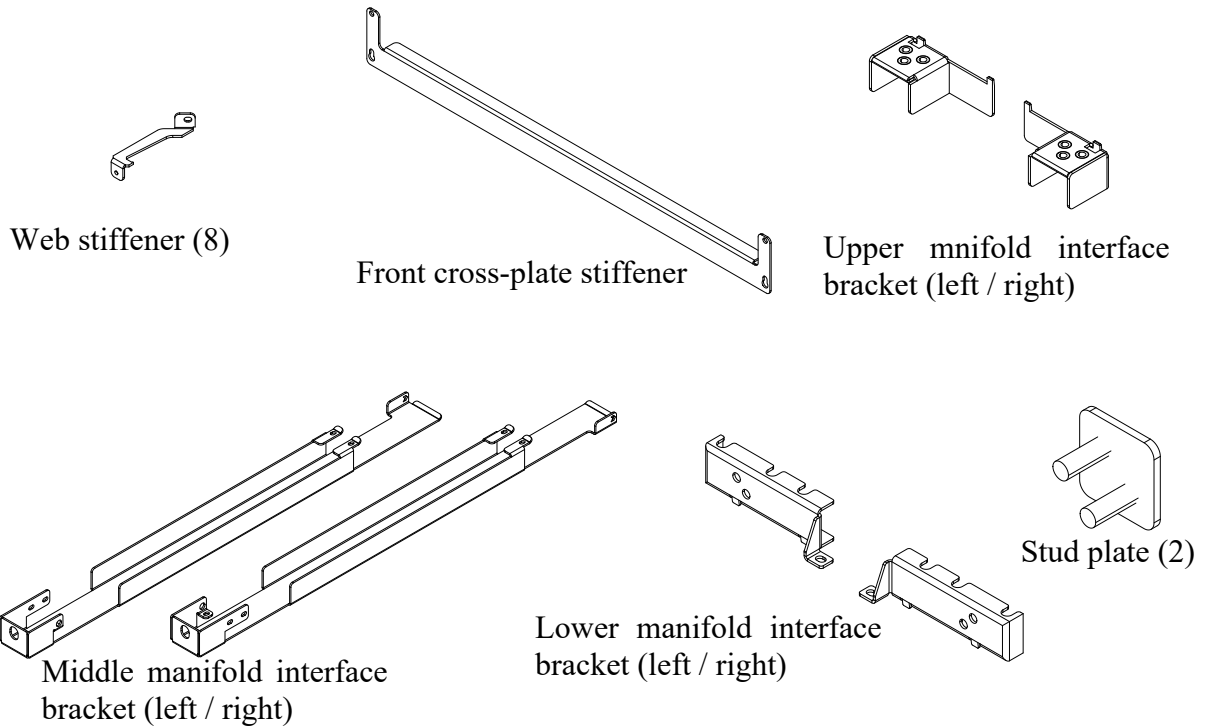
2. Move the brackets backwards until the buckle is in place with a click.



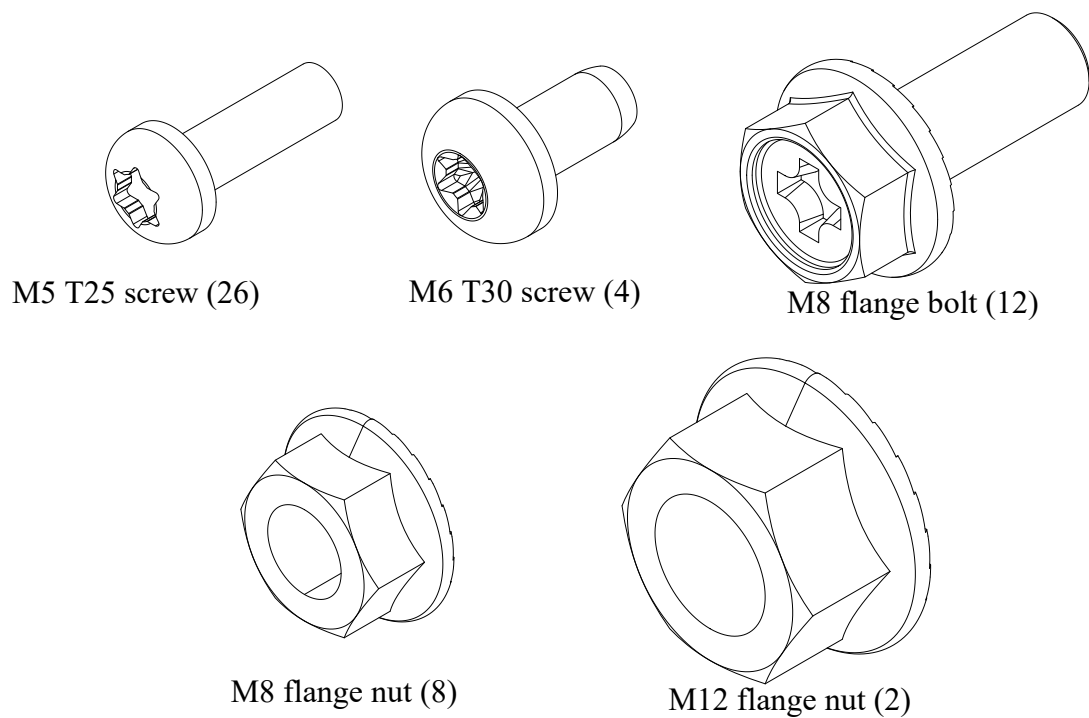
3. Follow the steps above to install the mirror brackets at the mirror position.

Manifold Installation Kit (SEOCP8104, Qty 1)

Components in Manifold Installation Kit Package

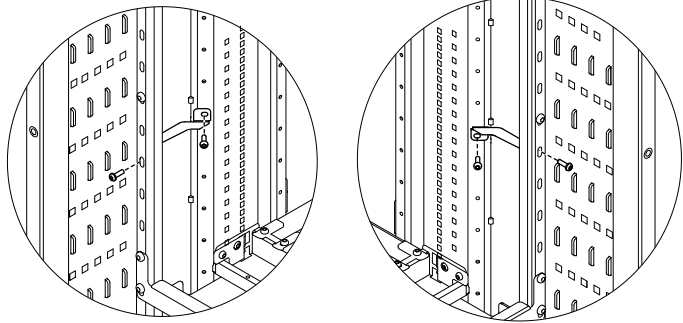


Hardware Bag Contents in Manifold Installation Kit Package



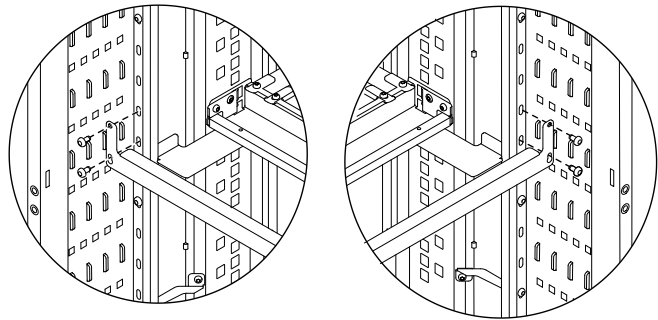
Installation of Manifold Installation Kit

1. Install the web stiffener onto the middle vertical posts of the rack with two M5 T25 screws. It provides an additional stiffness to rack.
Torque tighten the screws to 5 N. m



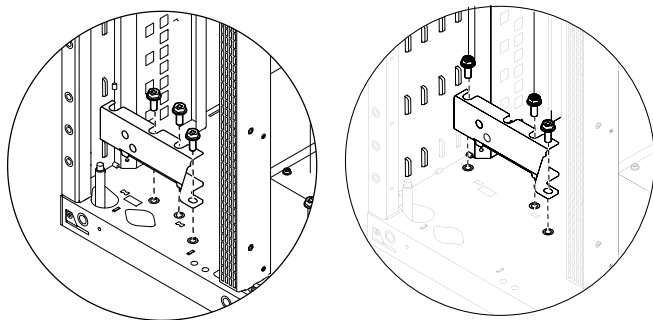
2. Install the front center-plate stiffener onto the middle vertical posts with four M6 T30 screws. It provides additional frame stiffness to counteract the additional liquid cooling forces.
Torque tighten the screws to 8 N. m.

NOTE: The front center-plate should be mounted in the same OU as the center support.

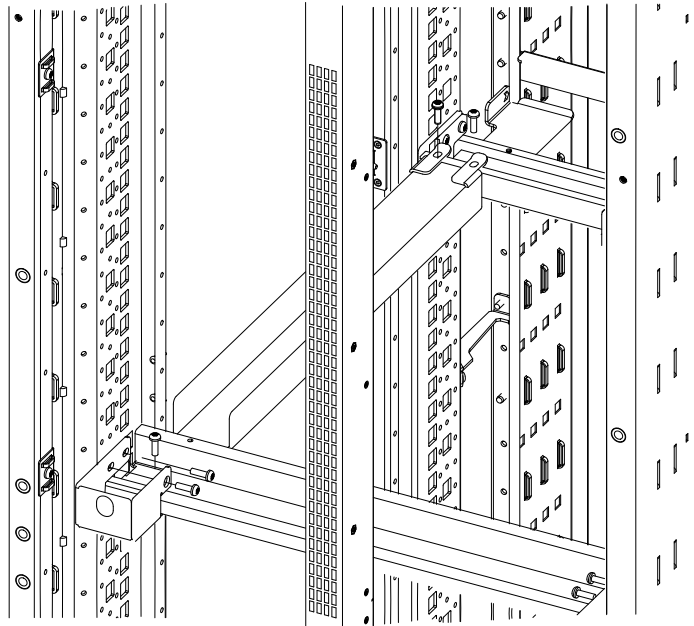


3. Install the Lower manifold interface brackets onto the rear bottom of the rack with three M8 flange bolts. It serve as the lower mounting interface for the manifold.
Torque tighten the bolts to 30 N. m.

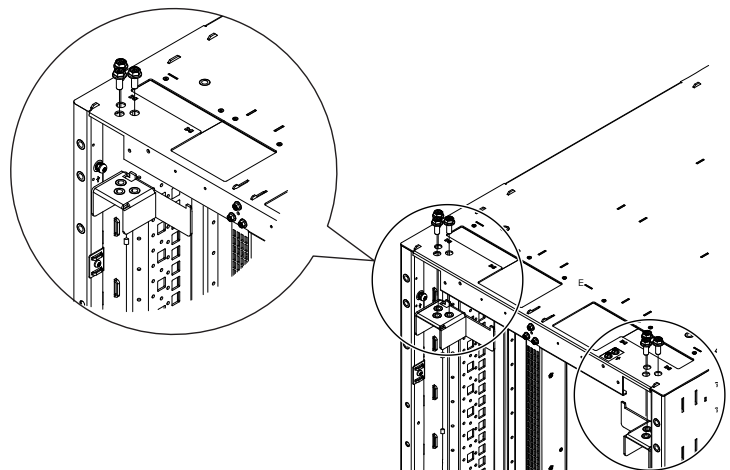
NOTE: The outermost mounting hole of SEOCP3001 is different from SEOCP3000 & SEOCP3002.



4. Install the middle manifold interface brackets from the rear onto the center support with five M5 T25 screws. It serve as the middle mounting interface for the manifold. Torque tighten the screws to 5 N. m.

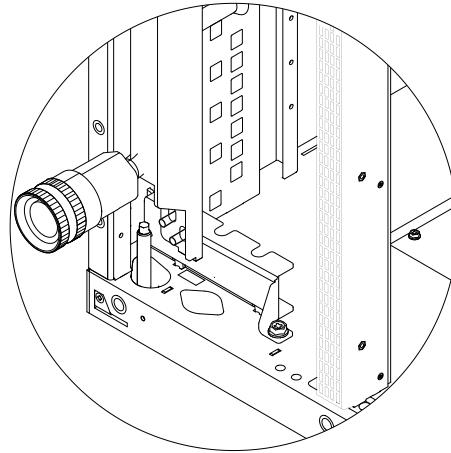


5. Install the upper manifold interface brackets onto the rear roof of the rack with three M8 flange bolts. It serve as the upper mounting interface for the manifold. Torque tighten the bolts to 30 N. m.

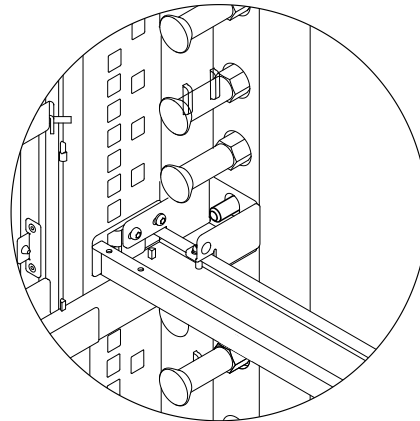


Installation of Manifold (Not Provided)

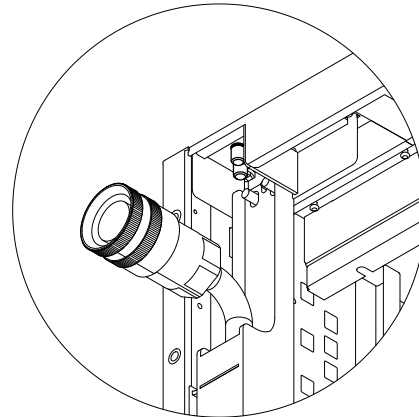
1. Place the bottom of the manifold (not provided) into the rectangular hole on the rear bottom of the rack.



2. Place the middle stud of the manifold (not provided) into the hole on the middle manifold interface bracket.

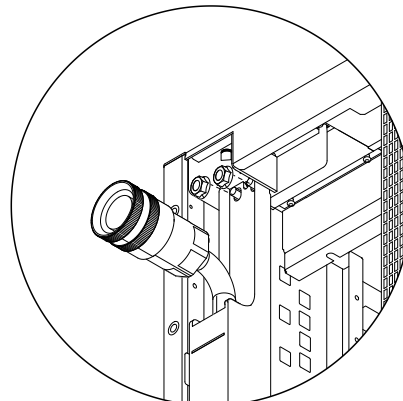


3. Place the top of the manifold (not provided) into the upper manifold interface brackets.



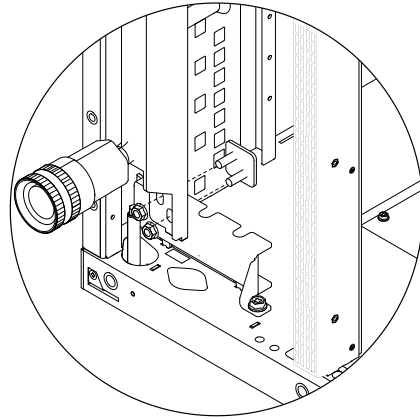
4. Install the manifold (not provided) to the upper interface bracket with two M8 flange nuts. Torque tighten the nuts to 15 N. m.

Make sure that the nuts installed from the rear of the rack.



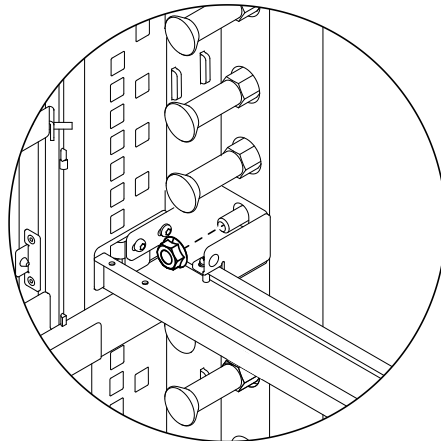
5. Install the manifold (not provided) to the lower interface bracket with two M8 flange nuts. Torque tighten the nuts to 15 N. m.

Make sure that the nuts installed from the rear of the rack, and a stud plate installed from the front of the rack.



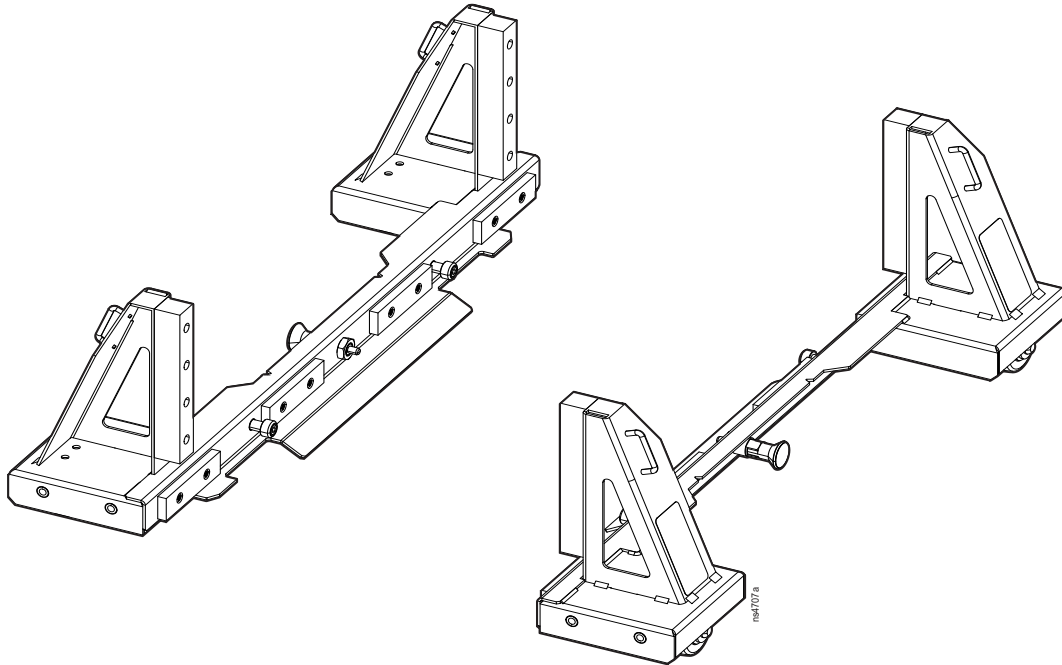
6. Install the manifold (not provided) to the middle interface bracket with a M12 flange nut. Torque tighten the nut to 30 N. m.

Make sure that the nut installed from the front of the rack.



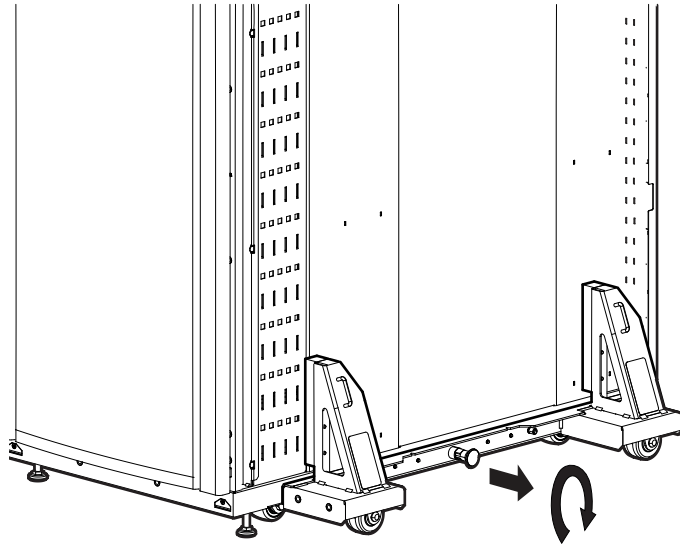
Stabilizer Kit (SEOCP7105, Qty 1)

Each set has two stabilizers, which can be installed on the left and right sides of the rack to increase stability and prevent the rack from tipping over.

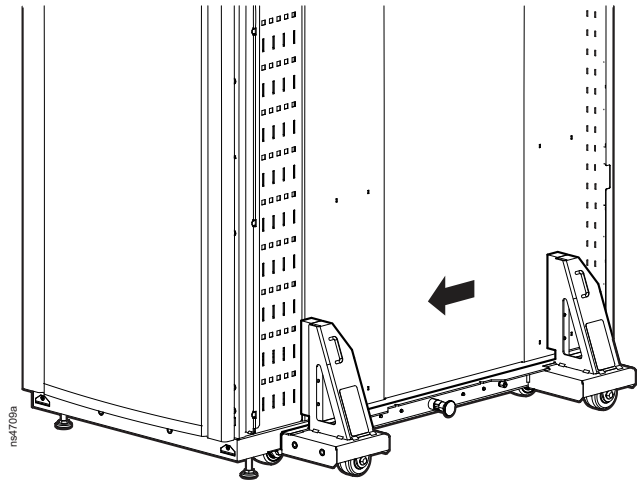


Removal

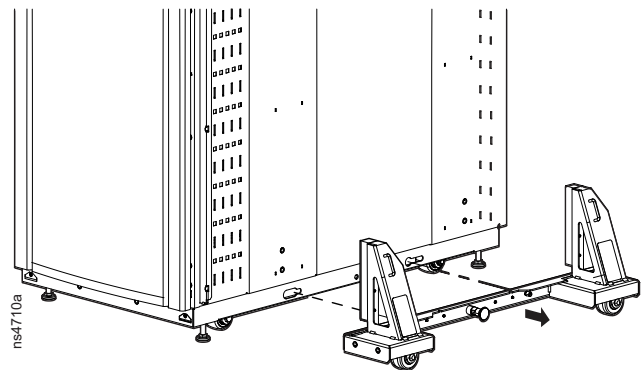
1. Pull out the locating pin in the center of the stabilizer and rotate it 90 degrees so that it cannot retract.



2. Move the stabilizer forwards until the end.

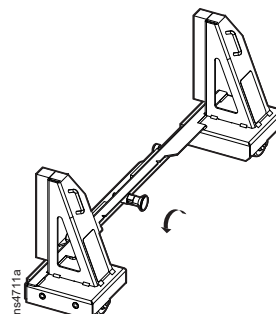


3. Remove the stabilizer from the rack.



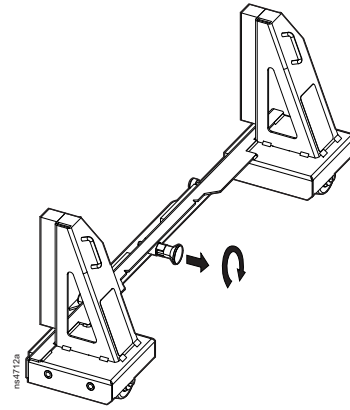
4. Rotate the locating pin until it retracts.

5. Follow the above steps to remove another stabilizer on the other side of the rack.

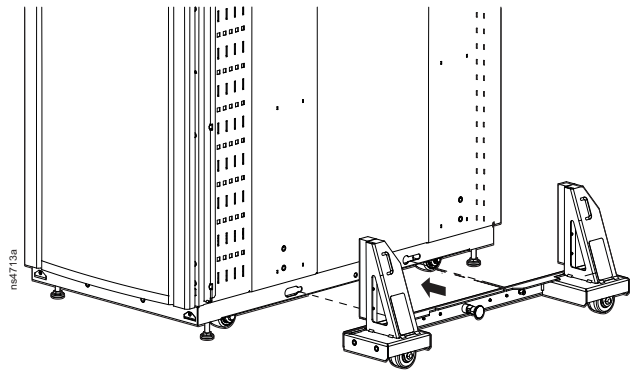


Installation

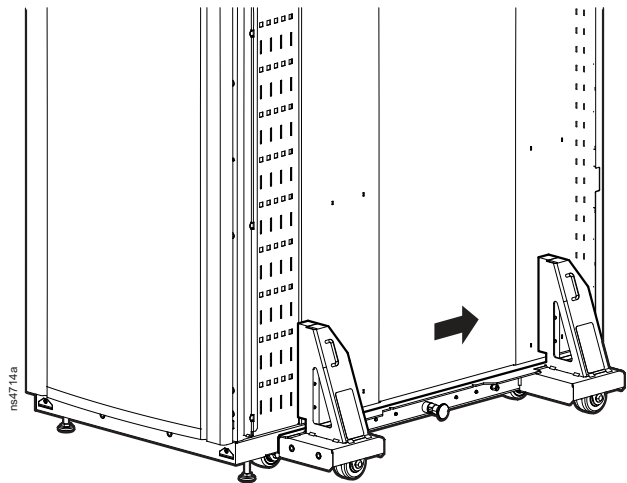
1. Pull out the locating pin in the center of the stabilizer and rotate it 90 degrees so that it cannot retract.



2. Install the two step pins on the left and right of the locating pin into the mounting holes at the bottom of the rack.

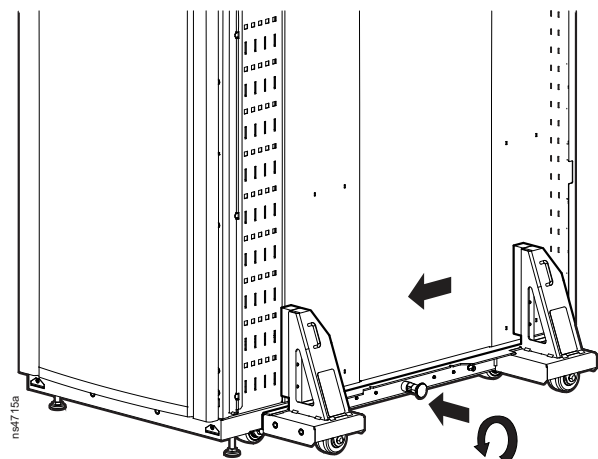


3. Move the stabilizer backwards until the end.



4. Rotate the locating pin until it retracts, then slightly move the stabilizer forwards and backwards until the locating pin is fully retracted with a click.

5. Follow the above steps to install another stabilizer on the other side of the rack.



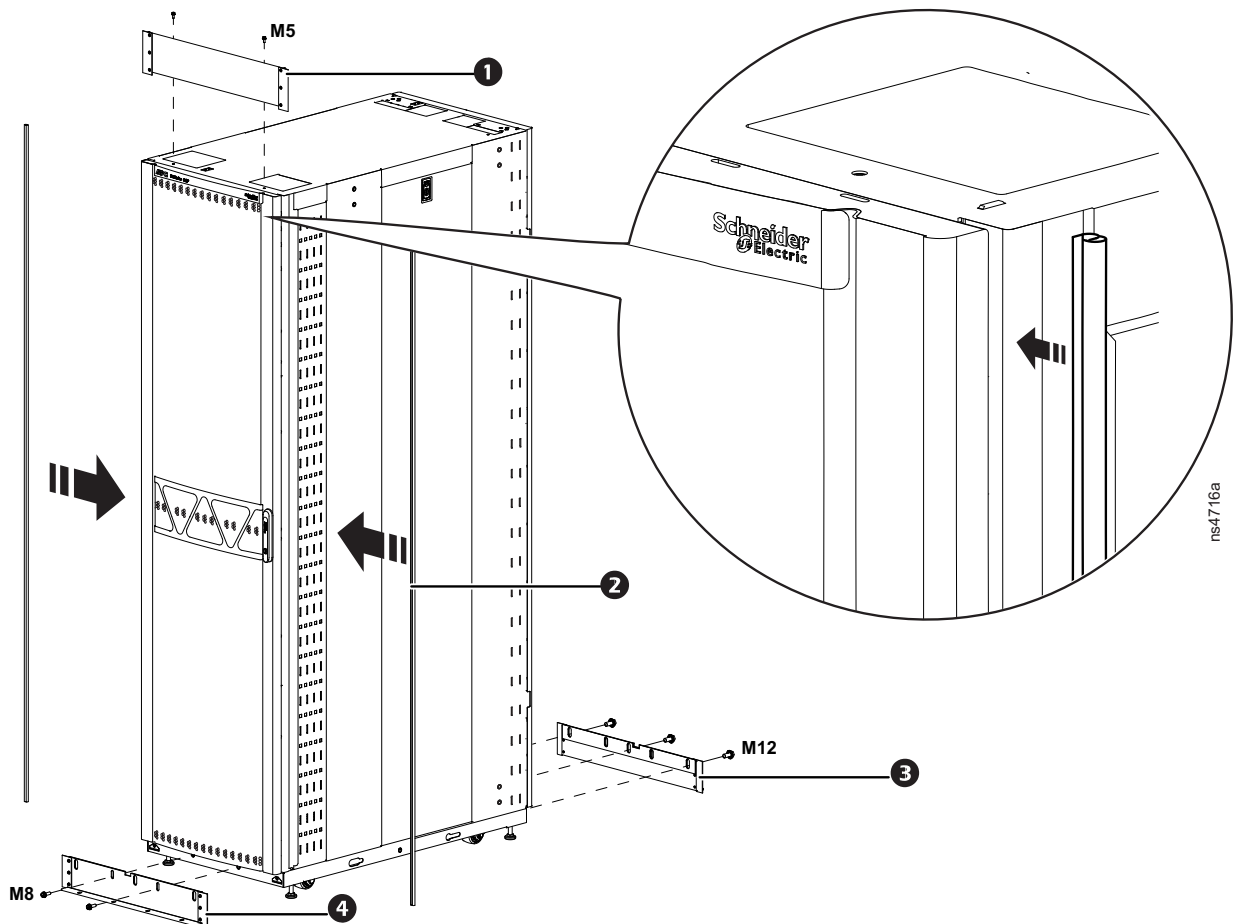
Air Baffle Kit (SEOCP7106, Qty 1 / SEOCP7107, Qty 1)

When joining the racks using the 609.6 mm (24 in.) holes in the mounting brackets, there will be a small space between the racks which can be filled using the air baffle kit for 600 mm (23.6 in.) width (SEOCP7106) or air baffle kit for 750 mm (29.5 in.) width (SEOCP7107).

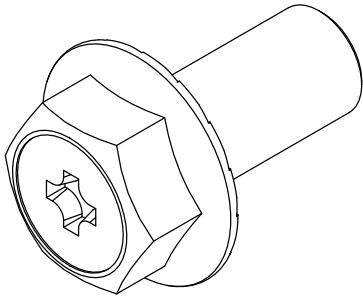
Each set has two side sealing strips, one top baffle and two bottom baffles.

Installation

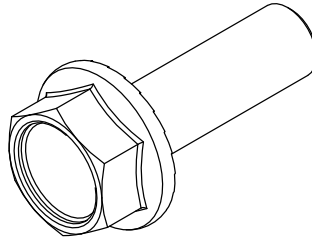
1. Install the two sealing strips **2** on the edges outside the left-front and right-front posts of the rack.
2. Install the front bottom baffles **4** on the bottom of the rack and floor.
3. Install the two M8 flange bolts on the front side and torque the bolts to 30 N.m (265 lbs-in.).
4. Install the rear bottom baffles **3** on the bottom of the rack and floor.
5. Install the three M12 bolts on the rear side and torque the bolts to 100 N.m (885 lbs-in.).
6. Install the top baffle **1** on the front top of the rack.
7. Install the two M5 flange bolts and torque the bolts to 5 N.m (44 lbs-in.).
8. Install the two sealing strips on the second rack, then join it to the previous rack using the 609.6 mm (24 in.) holes in the mounting brackets. Refer to the "Join the Racks" on page 9.
9. Follow the steps above until all racks are joined and installed with the air baffle kit.



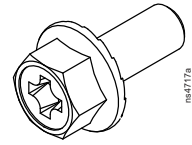
Hardware Bag Contents in Air Baffle Kit Package



M12 flange bolt (3)



M8 flange bolt (2)



M5 flange bolt (2)

Install Your Equipment on 19" 1U Adapter Bracket

⚠ WARNING

TIP HAZARD

- This rack is easily tipped. Make sure you have secured the rack to the floor before installing equipment.
- Install the heaviest equipment first and toward the bottom of the rack.
- Do not extend equipment on sliding rails until you have installed 158 kg (350 lb) of equipment into the bottom of the rack or until you have installed the stabilizer plate or bolt-down brackets.
- Do not extend more than one piece of equipment on sliding rails at a time.

Failure to follow these instructions can result in death, serious injury, or equipment damage.

1. Review the equipment manufacturer's installation instructions.
2. Install 19" 1U adapter bracket on the vertical mounting rails.
3. Install the cage nuts on the square holes of the 19" 1U adapter bracket , then install the equipment.

Cage Nuts

If needed, a cage nut hardware kit (AR8100) can be ordered. Contact Customer Support at www.se.com or an APC reseller to order a cage nut hardware kit.

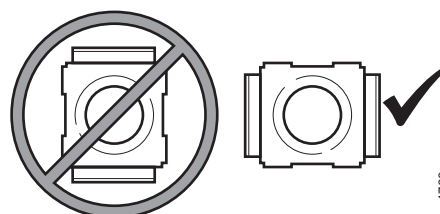
⚠ CAUTION

FALLING EQUIPMENT HAZARD

Do NOT install cage nuts vertically with the tabs engaging the top and bottom of the square hole.

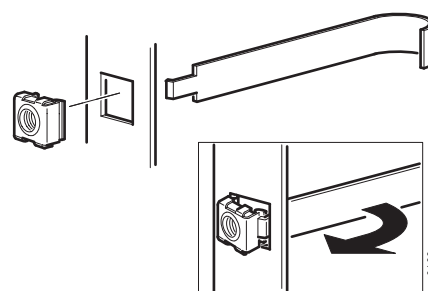
Failure to follow these instructions can result in minor or moderate injury.

- Install cage nuts horizontally, with the tabs engaging the sides of the square hole.
- Install the cage nuts on the interior of the vertical mounting rail.



Installation

1. From inside of the vertical mounting rail, insert the cage nut into the square hole.
2. Hook one tab of the cage nut assembly through the far side of the hole.
3. Place the cage nut tool on the other side of the cage nut and pull to snap into position.



Removal

1. Remove any attached screw.
2. Grasp the cage nut and squeeze the sides to release it from the square hole.

Specifications

General specifications for NetShelter™ Open Architecture Rack covered in this manual:

SKU	U-Space	Height		Width		Depth (without doors)		Depth (with doors)		Weight (unloaded)	
		mm	in	mm	in	mm	in	mm	in	kg	lbs
SEOCP3000	44	2286	90	600	23.62	1068	42.05	1172	46.14	215	474
SEOCP3001	44	2286	90	600	23.62	1200	47.24	1304	51.34	244	538
SEOCP3002	44	2286	90	750	29.53	1200	47.24	1304	51.34	300	661.4

Door Perforation pattern	80% open area
Weight rating: Static load (with center support) ¹	2600 kg (5,732 lbs)
Weight rating: rolling ² / shipping (without center support)	800 kg (1,764 lbs)
Weight rating: rolling ² / shipping (with center support)	1600 kg (3,527 lbs)
¹ Static Load: The maximum weight the rack can hold while the leveling feet are lowered.	
² Rolling rating valid only for rolling the cabinet into position.	

	SEOCP3000	SEOCP3001	SEOCP3002
Electrical(busbar module)			
Nominal voltage	46.0 V to 56.0 VDC		
Rated input voltage	48 VDC		
Rated input current	425 A	1400 A	1400 A
Enviromental			
Temperature(busbar module)			
Operating	10 °C to 60 °C		
Long-term Storage	-40 °C to 50 °C and 5-95% RH		
Short-term Storage	-20 °C to 65 °C and 10-80% RH		
Operating Humidity	85% max, 5 °C dew point minimum		
Compliance			
UL/cUL	UL2416 / CSA C22.2 No. 62368-1		
Environmental	RoHS & Reach		

NOTE: Additional packaging is required if the rack will be shipped with equipment installed. See the NetShelter OCP product family page at www.se.com for details on racks with shock packaging.

Two-Years Factory Warranty

The limited warranty provided by APC in this Statement of Limited Factory Warranty applies only to products you purchase for your commercial or industrial use in the ordinary course of your business.

Terms of warranty

APC warrants its products to be free from defects in materials and workmanship for a period of two years from the date of purchase. The obligation of APC under this warranty is limited to repairing or replacing, at its sole discretion, any such defective products. This warranty does not apply to equipment that has been damaged by accident, negligence, or misapplication or has been altered or modified in any way. Repair or replacement of a defective product or part thereof does not extend the original warranty period. Any parts furnished under this warranty may be new or factory-remanufactured.

Non-transferable warranty

This warranty extends only to the original purchaser who must have properly registered the product. The product may be registered at the APC website, www.se.com.

Exclusions

APC shall not be liable under the warranty if its testing and examination disclose that the alleged defect in the product does not exist or was caused by end user's or any third person's misuse, negligence, improper installation or testing. Further, APC shall not be liable under the warranty for unauthorized attempts to repair or modify wrong or inadequate electrical voltage or connection, inappropriate on-site operation conditions, corrosive atmosphere, repair, installation, start-up by non-APC designated personnel, a change in location or operating use, exposure to the elements, Acts of God, fire, theft, or installation contrary to APC recommendations or specifications or in any event if the APC serial number has been altered, defaced, or removed, or any other cause beyond the range of the intended use.

THERE ARE NO WARRANTIES, EXPRESS OR IMPLIED, BY OPERATION OF LAW OR OTHERWISE, OF PRODUCTS SOLD, SERVICED OR FURNISHED UNDER THIS AGREEMENT OR IN CONNECTION HERewith. APC DISCLAIMS ALL IMPLIED WARRANTIES OF MERCHANTABILITY, SATISFACTION AND FITNESS FOR A PARTICULAR PURPOSE. APC EXPRESS WARRANTIES WILL NOT BE ENLARGED, DIMINISHED, OR AFFECTED BY AND NO OBLIGATION OR LIABILITY WILL ARISE OUT OF, APC RENDERING OF TECHNICAL OR OTHER ADVICE OR SERVICE IN CONNECTION WITH THE PRODUCTS. THE FOREGOING WARRANTIES AND REMEDIES ARE EXCLUSIVE AND IN LIEU OF ALL OTHER WARRANTIES AND REMEDIES. THE WARRANTIES SET FORTH ABOVE CONSTITUTE APC'S SOLE LIABILITY AND PURCHASER'S EXCLUSIVE REMEDY FOR ANY BREACH OF SUCH WARRANTIES. APC WARRANTIES EXTEND ONLY TO PURCHASER AND ARE NOT EXTENDED TO ANY THIRD PARTIES.

IN NO EVENT SHALL APC, ITS OFFICERS, DIRECTORS, AFFILIATES OR EMPLOYEES BE LIABLE FOR ANY FORM OF INDIRECT, SPECIAL, CONSEQUENTIAL OR PUNITIVE DAMAGES, ARISING OUT OF THE USE, SERVICE OR INSTALLATION, OF THE PRODUCTS, WHETHER SUCH DAMAGES ARISE IN CONTRACT OR TORT, IRRESPECTIVE OF FAULT, NEGLIGENCE OR STRICT LIABILITY OR WHETHER APC HAS BEEN ADVISED IN ADVANCE OF THE POSSIBLY OF SUCH DAMAGES. SPECIFICALLY, APC IS NOT LIABLE FOR ANY COSTS, SUCH AS LOST PROFITS OR REVENUE, LOSS OF EQUIPMENT, LOSS OF USE OF EQUIPMENT, LOSS OF SOFTWARE, LOSS OF DATA, COSTS OF SUBSTITUENTS, CLAIMS BY THIRD PARTIES, OR OTHERWISE.

NO SALESMAN, EMPLOYEE OR AGENT OF APC IS AUTHORIZED TO ADD TO OR VARY THE TERMS OF THIS WARRANTY. WARRANTY TERMS MAY BE MODIFIED, IF AT ALL, ONLY IN WRITING SIGNED BY AN APC OFFICER AND LEGAL DEPARTMENT.

Warranty claims

Customers with warranty claims issues may access the APC customer support network through the Support page of the APC website, www.se.com/support. Select your country from the country selection pull-down menu at the top of the Web page. Select the Support tab to obtain contact information for customer support in your region.

Schneider Electric
35 rue Joseph Monier
92500 Rueil Malmaison
France

www.se.com

As standards, specifications, and design change from time to time,
please ask for confirmation of the information given in this publication.

© 2026 - Schneider Electric. All rights reserved.

JPS60998A