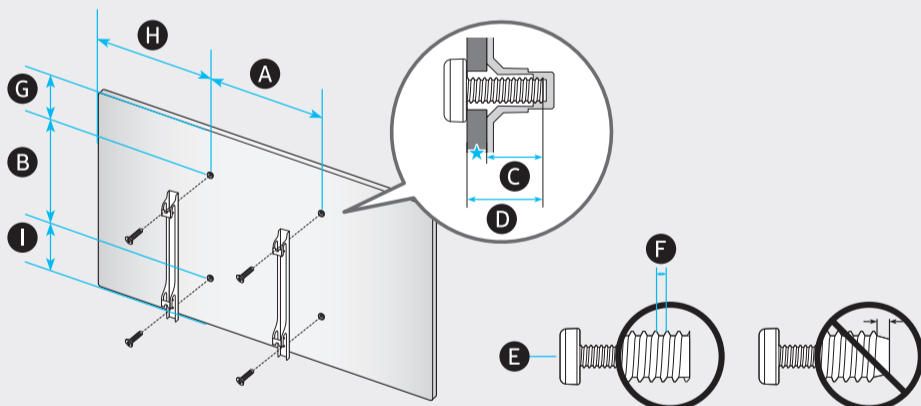
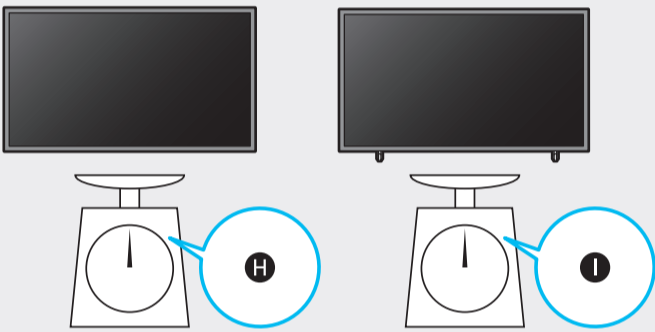


	A	B	C	D	E	F	G	H	I
QN75Q6*B	66.0 inches (1676.7 mm)	37.8 inches (959.8 mm)	1.0 inches (26.6 mm)	39.3 inches (997.3 mm)	40.2 inches (1022.3 mm)	12.6 inches (320.0 mm)	74.5 inches	69.2 lbs (31.4 kg)	70.5 lbs (32.0 kg)
QN85Q6*B	74.8 inches (1900.9 mm)	42.7 inches (1085.7 mm)	1.1 inches (26.9 mm)	44.2 inches (1123.3 mm)	45.2 inches (1148.3 mm)	13.6 inches (345.1 mm)	84.5 inches	91.5 lbs (41.5 kg)	93.7 lbs (42.5 kg)

*: 0-9, A-Z



	VESA A x B (mm)	C (mm)	D	E x 4	F (mm)	G (inches)	H (inches)	I (inches)
QN75Q6*B	400 x 400	11-13	C + ★	M8	1.25	10.2	25.1	11.8
QN85Q6*B	600 x 400					7.6	25.6	19.4

*: 0-9, A-Z

★: Wall-Mount Bracket

SAMSUNG

QUICK SETUP GUIDE

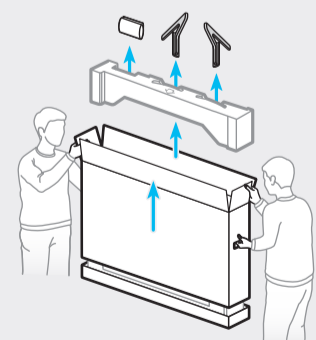


BN68-13690A-01

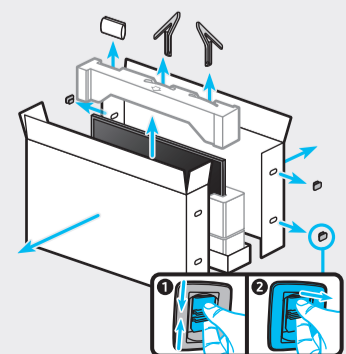


◀ Scan this QR code with your smart phone to see helpful videos.

75"

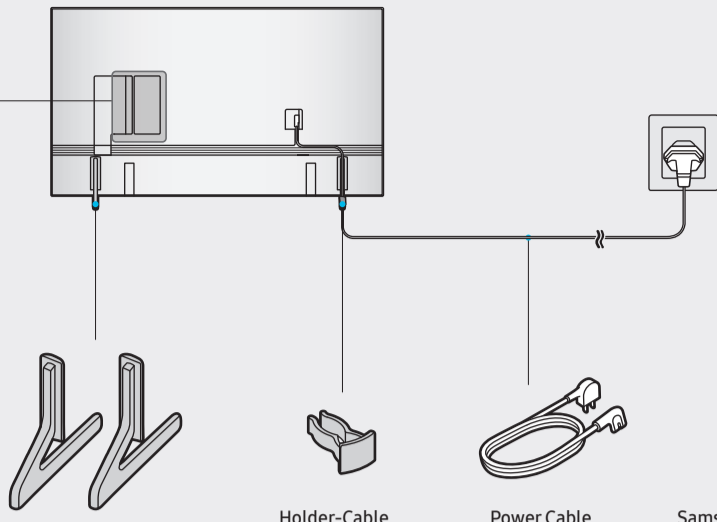


85"





	USB	USB +G
	OPTICAL	
	ARC	HDMI (eARC)
		HDMI
		LAN
		ANT



Holder-Cable

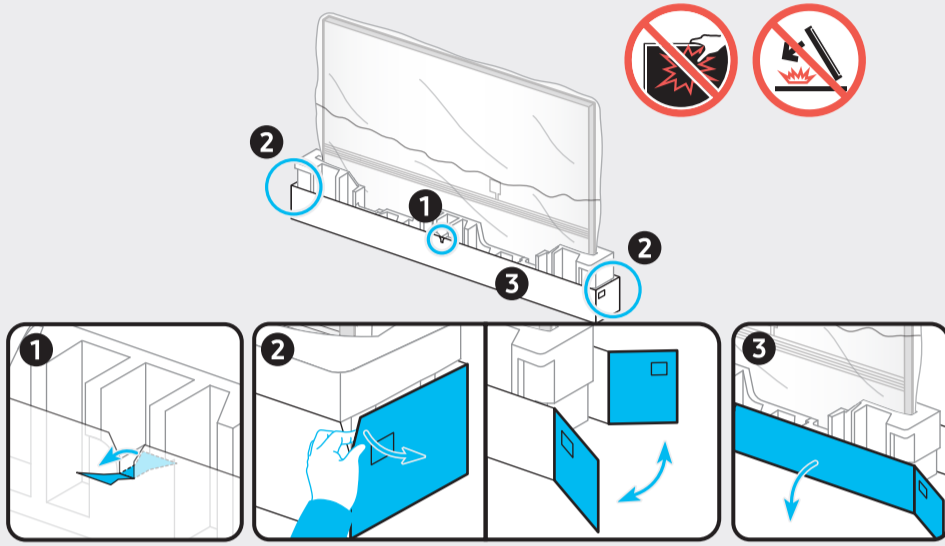
Power Cable

Samsung Smart Remote

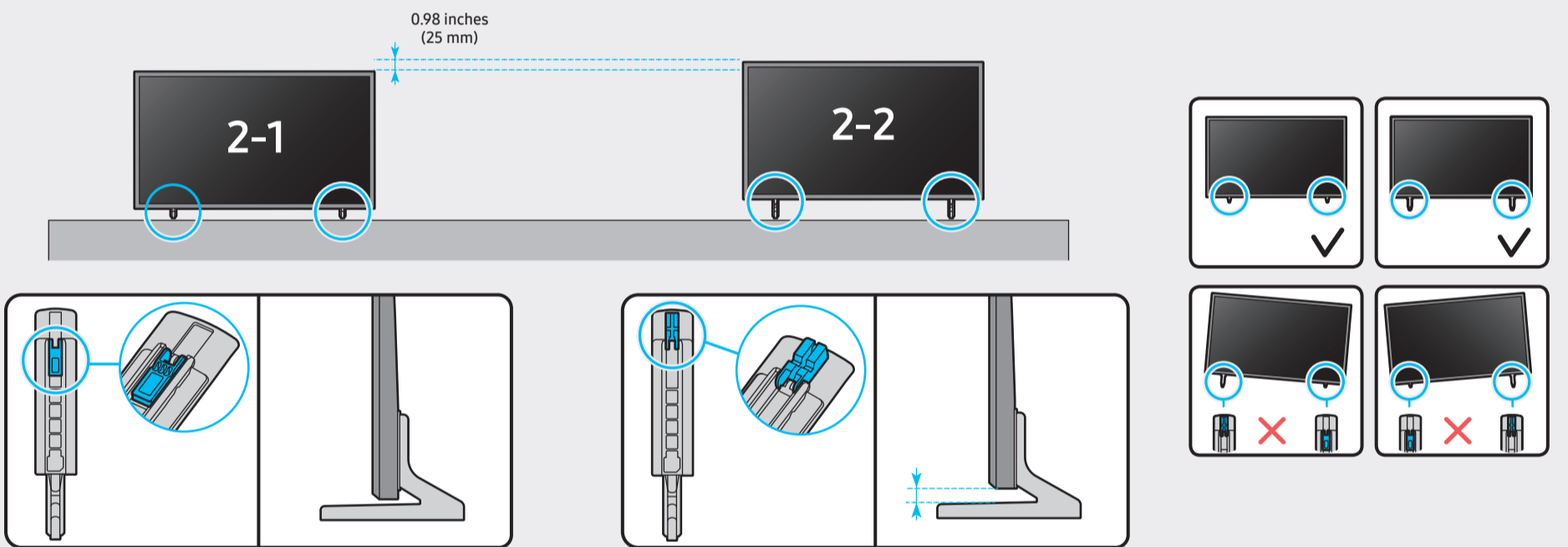
User Manual / Regulatory Guide



1



2



3

