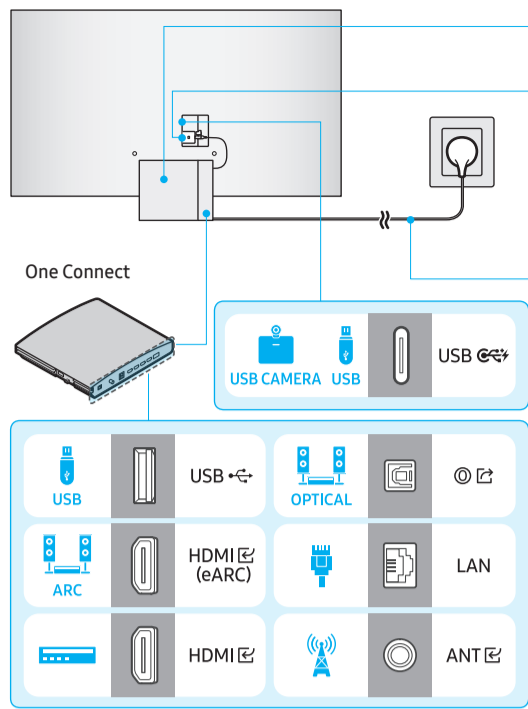


SAMSUNG

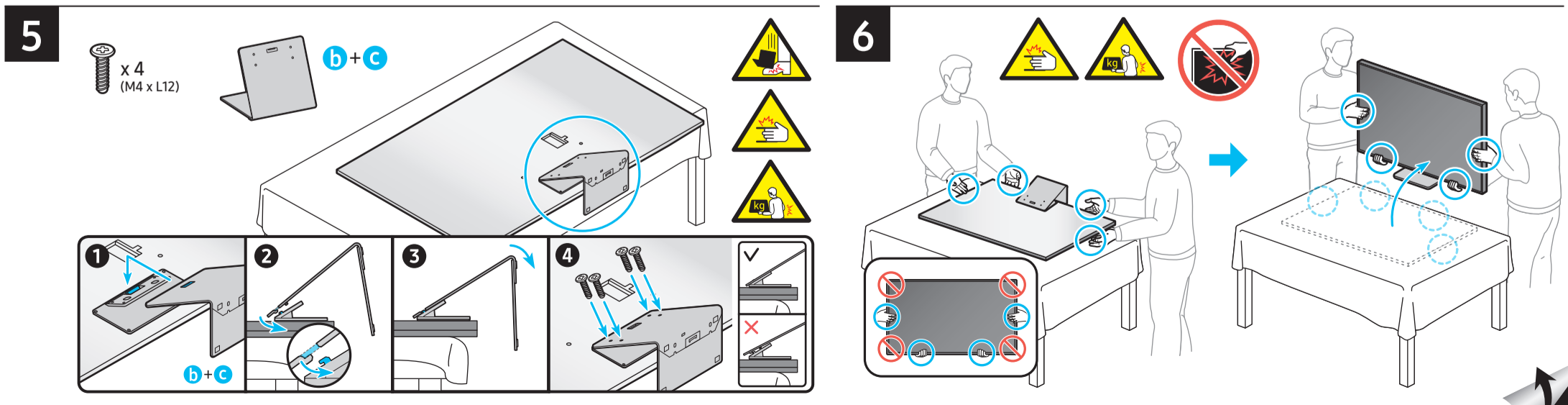
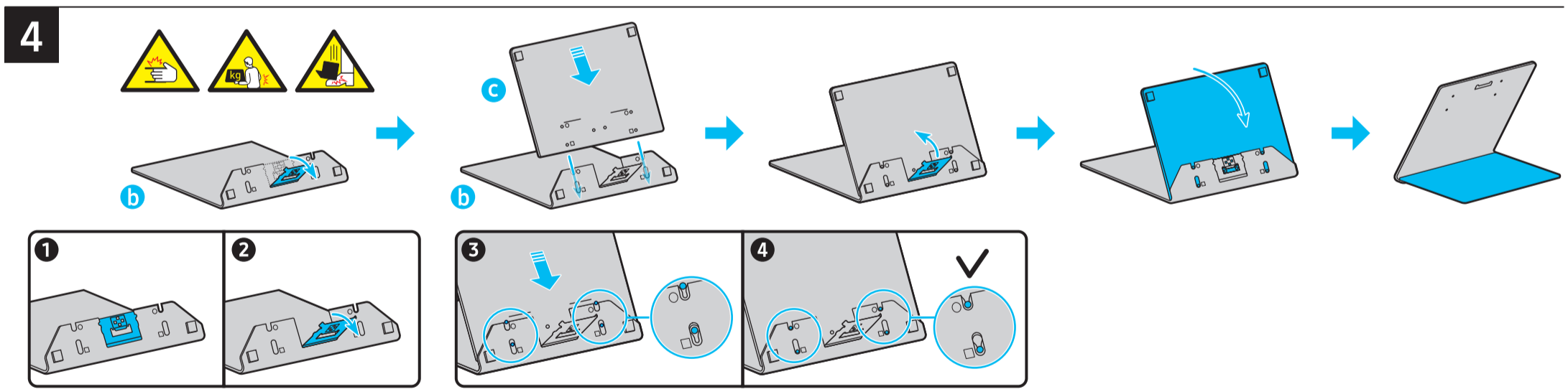
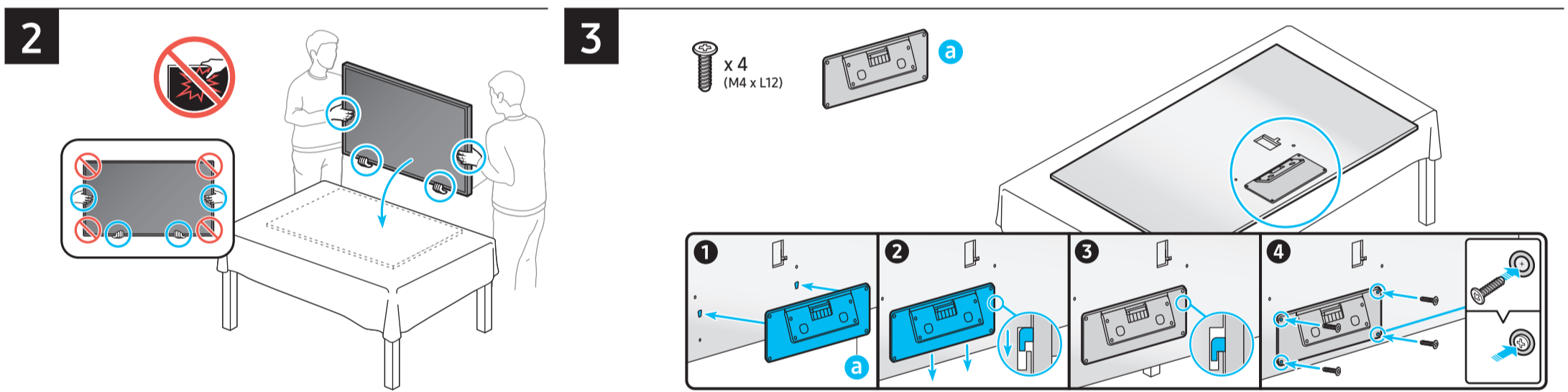
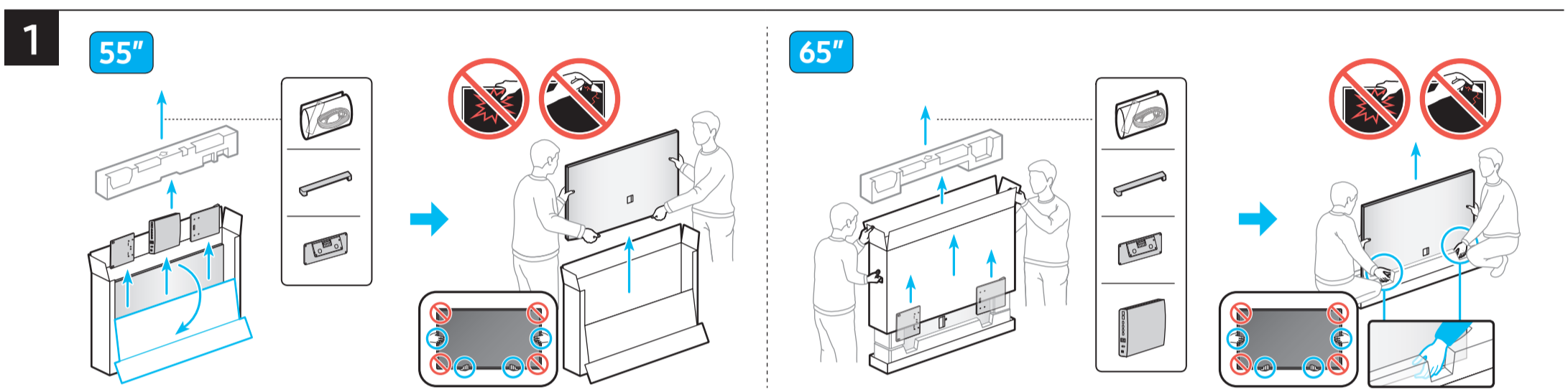
Unpacking and Installation Guide

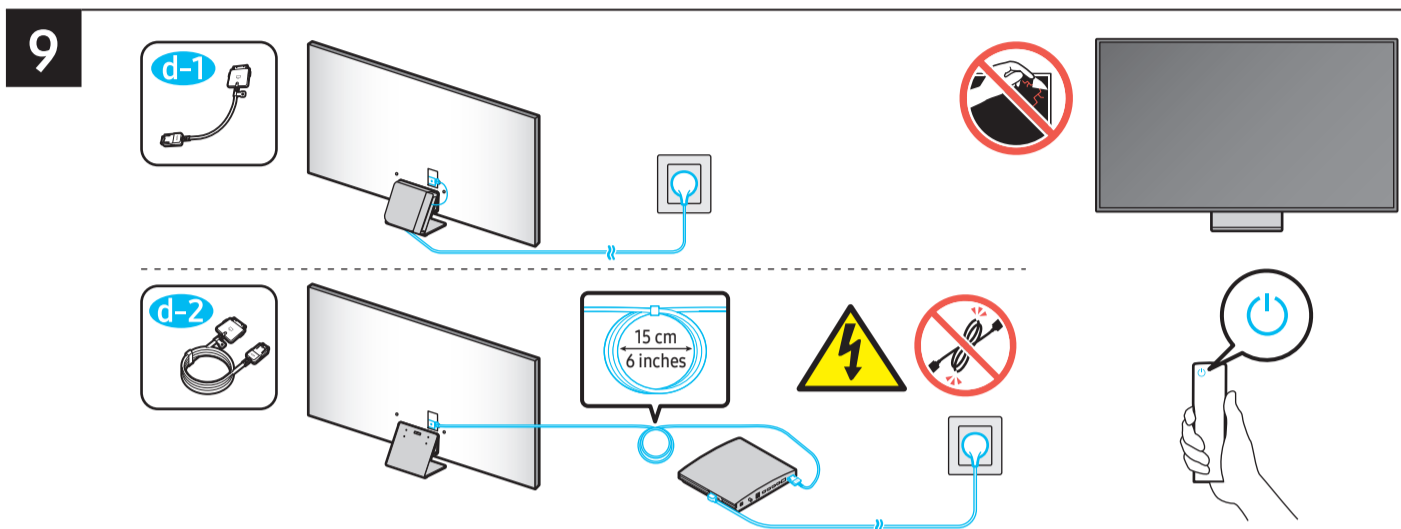
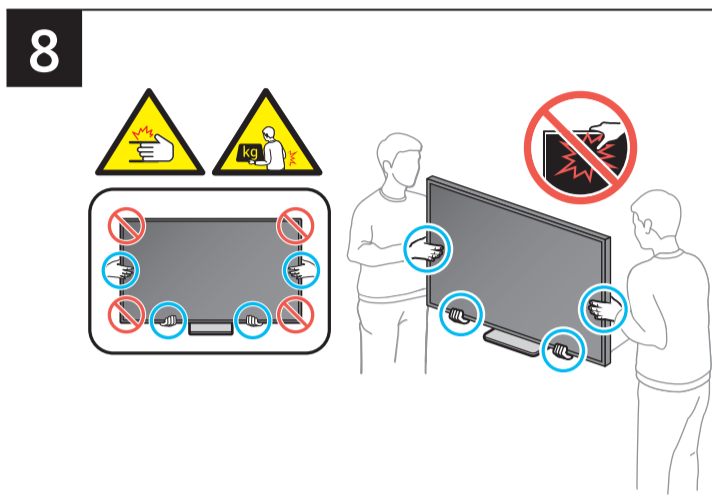
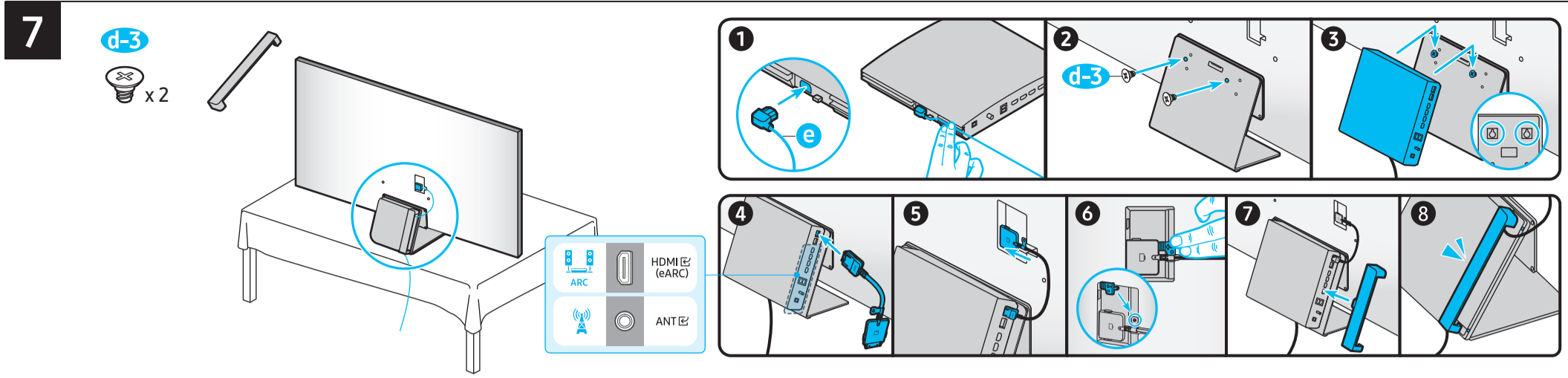


- a** One Connect
- b** Screws x 4 (M4 x L12)
- c** One Connect Cable x 2
- d-1** One Connect Cable x 2
- d-2** One Connect Cable x 2
- d-3** Light bulb x 2
- e** Power Cable
- Simple User Guide / Remote control guide / Regulatory Guide
- Samsung Smart Remote
- f** HOLDER-BOLT x 3 (65" only)

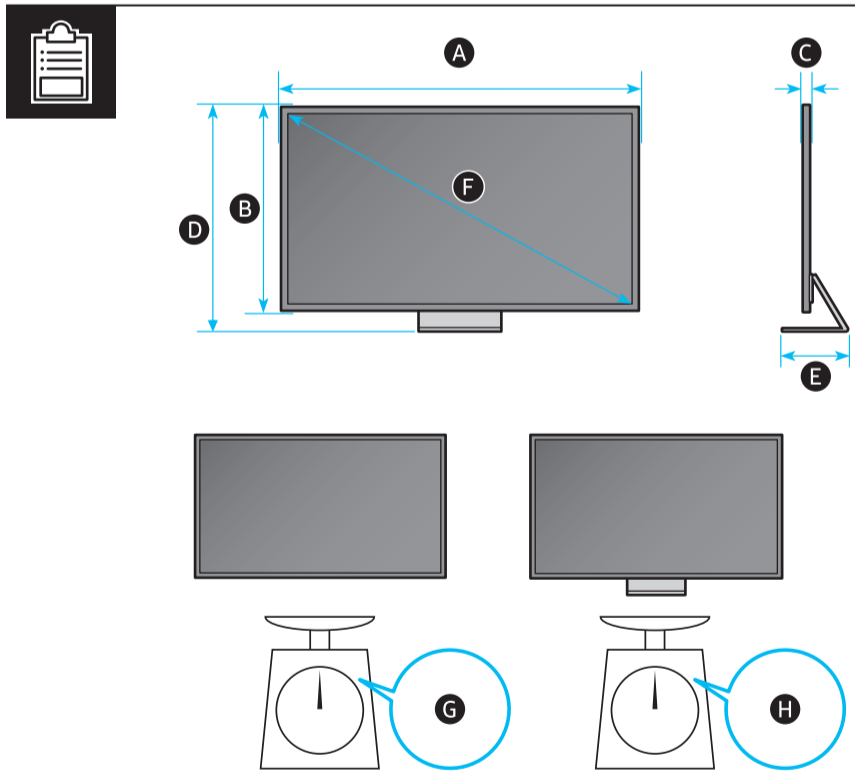
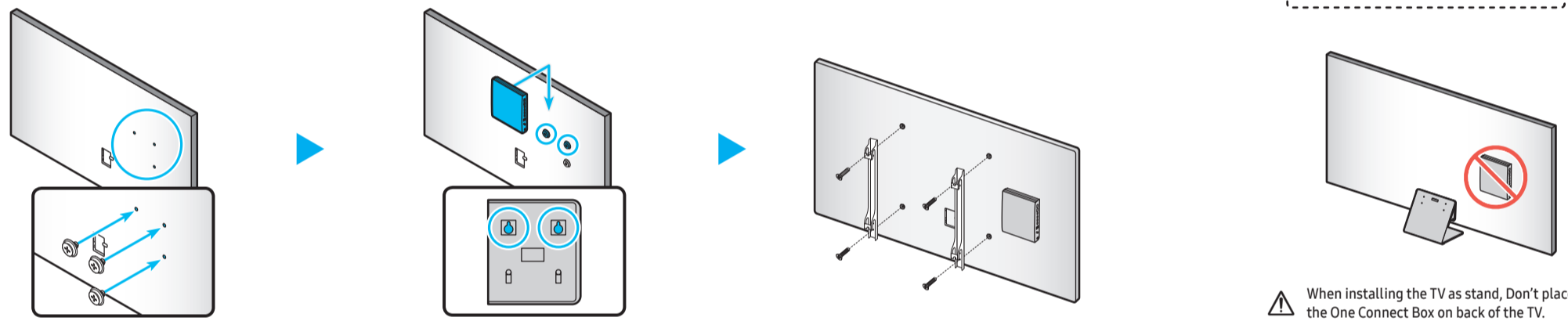


Scan this QR code with your smart phone to see helpful videos.



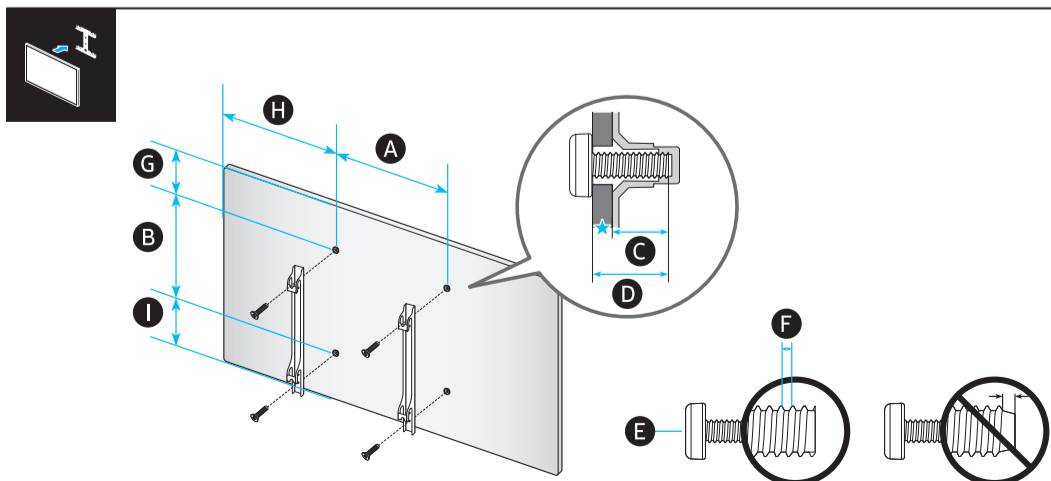


* When installing the TV as wallmount, You can place the One Connect Box as shown below. (65" only)
 * When installing the TV as wallmount using Auto Rotating wallmount, Don't place the One Connect Box on back of the TV.



	A	B	C	D	E	F	G	H
55S95D 55S95F	48.2 inches (1224.6 mm)	27.8 inches (706.3 mm)	0.4 inches (11.0 mm)	30.4 inches (771.4 mm)	10.5 inches (267.9 mm)	54.6 inches	30.4 lbs (13.8 kg)	52.7 lbs (23.9 kg)
65S95D 65S95F	56.8 inches (1443.5 mm)	32.7 inches (829.4 mm)	0.4 inches (11.0 mm)	35.2 inches (894.4 mm)	10.5 inches (267.9 mm)	64.5 inches	41.7 lbs (18.9 kg)	63.9 lbs (29.0 kg)

* : 0-9, A-Z



	VESA A x B (mm)	C (mm)	D	E x 4	F (mm)	G (inches)	H (inches)	I (inches)
55S95D 55S95F	400 x 300	5-6	C + ★	M8	1.25	6.3	16.2	9.5
65S95D 65S95F						8.6	20.5	12.1

* : 0-9, A-Z

★ : Wall-Mount Bracket