



JLAB
DAYBREAK
HEADSET

We love that you are rocking JLab!
We take pride in our products and fully stand behind them.



YOUR WARRANTY

All warranty claims are subject to JLab authorization and at our sole discretion. Retain your proof of purchase to ensure warranty coverage.



CONTACT US

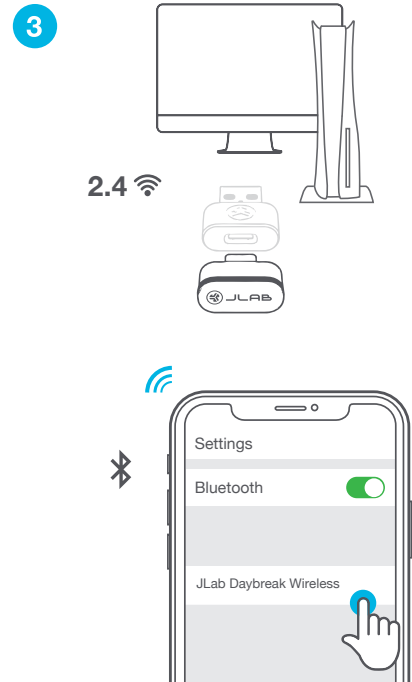
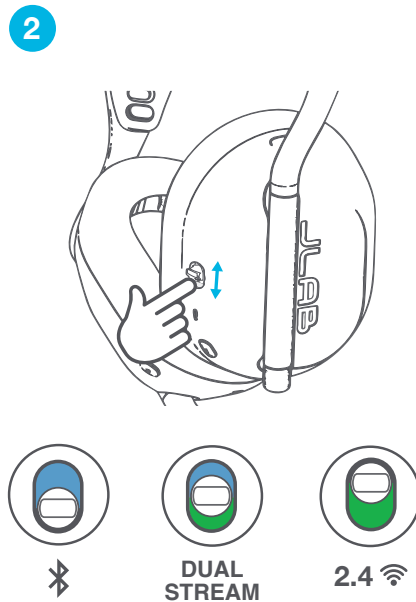
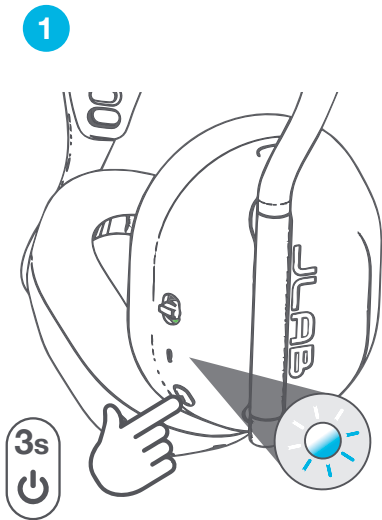
Reach out to us at support@jlab.com or visit jlab.com/contact

REGISTER TODAY

jlab.com/register

Product updates | How-to tips
FAQs & more

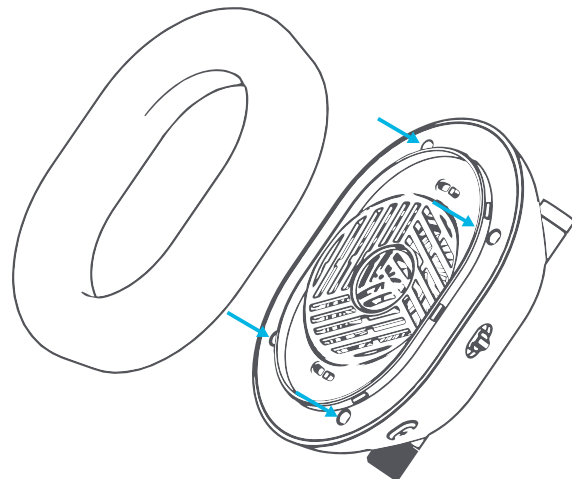
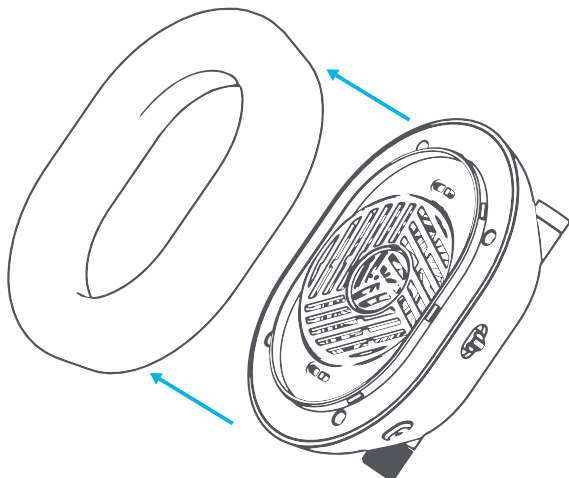
PAIR UP



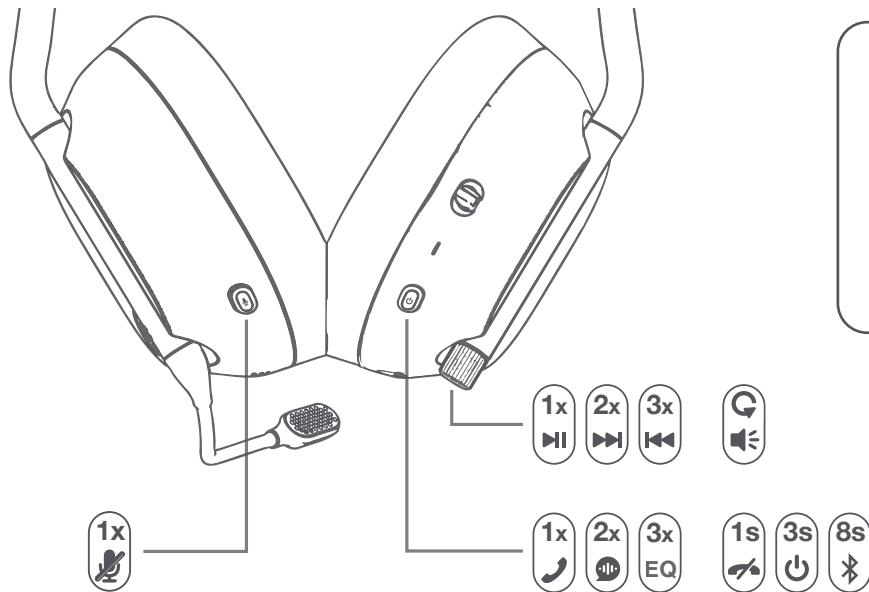
REPLACE CUSHIONS

1 Remove cushion straight.

2 Align four connection points and firmly press cushion.



GO AHEAD, PRESS THE BUTTON



DUAL STREAM

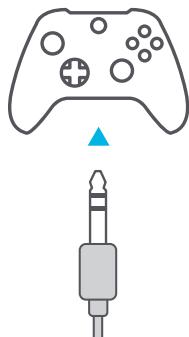
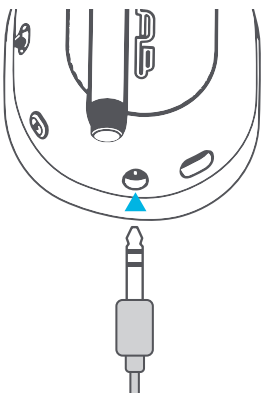
To use dual stream, center switch after connecting each device



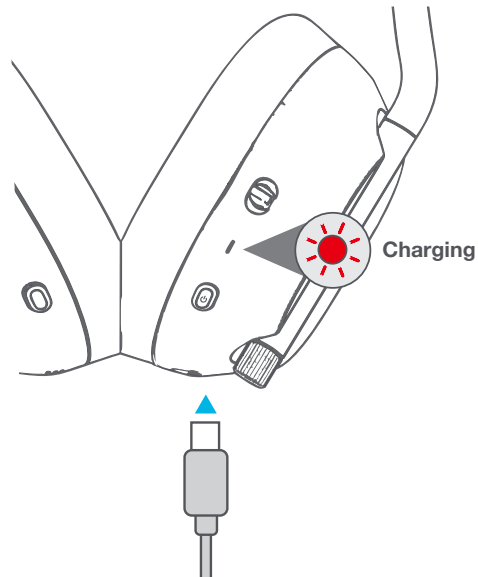
To balance 2.4 and BT volume, press and turn volume knob

WIRED CONNECTION

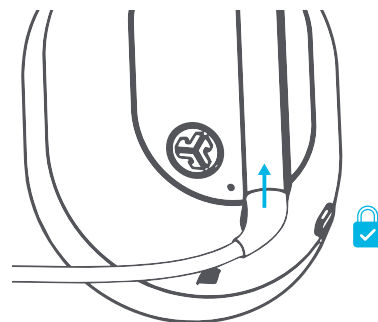
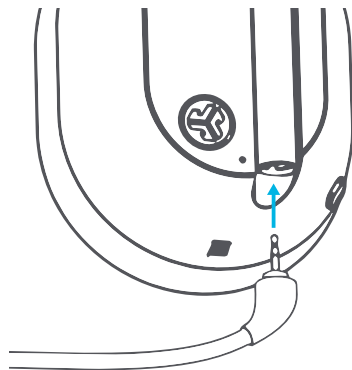
Headset must be **Powered ON** to work in AUX mode.



GET CHARGED



MICROPHONE PORT



Customize the Daybreak Headset button controls, spatial audio, and EQ with dongle + The Lab App:

jlab.com/software

