



# HOSHIZAKI

## Premier F W80 C DR U Freezer

PRODUCT SERIES: PREMIER W80  
ITEM NUMBER: 183802030  
COUNTRY OF ORIGIN: TURKEY



Hoshizaki Premier F W80 C DR U is a 2/1 GN wide freezer with a net usable volume of 475 ltr. ranking C in energy efficiency class. It has a cabinet height of 2075mm and depth of 728mm without pedal door opener (depth of 800mm incl. pedal door opener).

- Ventilated refrigeration system
- Air circulation system
- Automatic fan cut-out when door is opened
- Automatic defrost with re-evaporation of defrost water
- Clean free condenser (condenser filter not needed)
- Heavy duty cabinet
- Climate class 5 cooling system enduring up to +40°C ambient temperature
- Exterior and interior of stainless steel AISI 304
- Anti-tilt shelf supports moulded into the inner lining
- Internal LED lighting
- Right hand hinged reversible door
- Automatic door closing
- Door lock
- Removable magnetic door gaskets
- Pedal door opener with overload protection (included as accessory)
- Pan-shaped inside base with rounded corners to catch fluids
- Low sound level
- IP21 water protection
- Matching design identity as the Premier counters



2/1 GN

### ACCESSORIES INCLUDED

4 grey shelves (650 x 530mm), Pedal door opener with overload protection

### OPTIONAL EXTRAS

- Set of legs 130-180mm
- Grey shelf with back guard
- Grey bottom shelf with back guard
- Stainless shelf with back guard
- Stainless bottom shelf with back guard
- Set of stainless shelves (3 top and 1 bottom) with back guard
- Master key

### WARRANTY PERIOD

**6 Years on Parts & Labour**

### EXTERIOR

**Stainless steel AISI 304**

### INTERIOR

**Stainless steel AISI 304**

Refrigerant type: R290 / Refrigerant: 0.085 kg / CO2 equivalent: 0.255 kg

### CERTIFICATIONS



| Energy consumption | Energy efficiency class | Energy efficiency class standard | Energy Efficiency Index (EEI) |
|--------------------|-------------------------|----------------------------------|-------------------------------|
| 1,776 kWh/year     | C                       | ISO 22041-2019                   | 46.58 EEI                     |



# HOSHIZAKI

## Premier F W80 C DR U

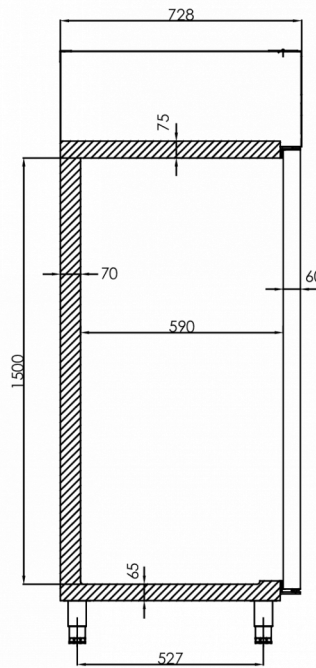
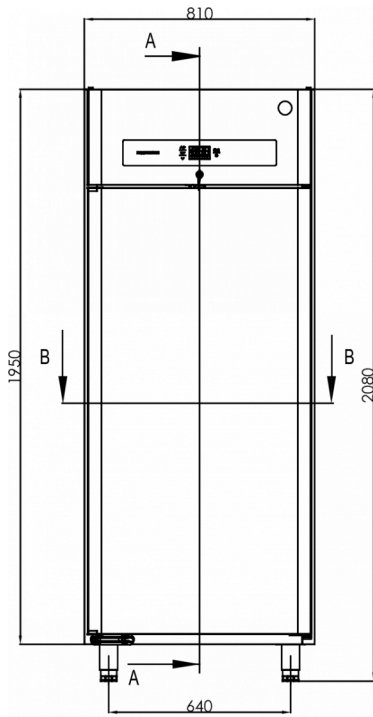
### TECHNICAL SPECIFICATIONS

| Temperature range | Shelf size  | Volume, gross | Net usable volume | Volume, net | Power supply | Connection load | Climate class                   | Sound level | Ref. capacity (at -30°C) |
|-------------------|-------------|---------------|-------------------|-------------|--------------|-----------------|---------------------------------|-------------|--------------------------|
| -25/-5°C          | 2/1 GN wide | 700 l         | 475 l             | 475 l       | 230V, 50Hz   | 520 W           | 5 (max. ambient 40°C w/ 40% RH) | 50 dB       | 376 W                    |

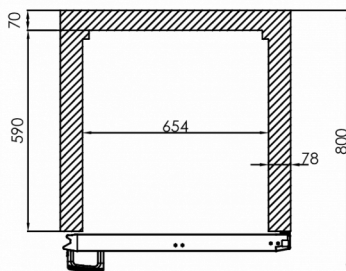
### SHIPPING SPECIFICATIONS

| Width (packed) | Depth (packed) | Height (packed) | Volume (packed) | Gross weight | Width  | Depth  | Height   | Net weight |
|----------------|----------------|-----------------|-----------------|--------------|--------|--------|----------|------------|
| 870 mm         | 780 mm         | 2,250 mm        | 1.527 m3        | 135 kg       | 810 mm | 728 mm | 2,075 mm | 125 kg     |

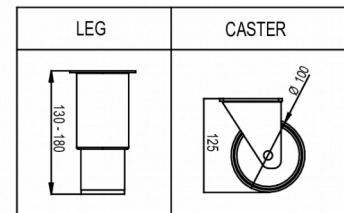
Disclaimer: Every effort has been made to ensure that the information contained in this spec sheet is accurate at the time of publishing. Hoshizaki Europe BV assumes no responsibility or liability for typographical errors or omissions or for any misinterpretation of the information within the publication and reserves the right to change without notice.



A-A



B-B



Hoshizaki Belgium  
Hoshizaki Danmark  
Hoshizaki Deutschland  
Hoshizaki France  
Hoshizaki Iberia  
Hoshizaki Italia  
Hoshizaki Middle East

[info@hoshizaki.nl](mailto:info@hoshizaki.nl)  
[info@hoshizaki.dk](mailto:info@hoshizaki.dk)  
[vertrieb@hoshizaki.de](mailto:vertrieb@hoshizaki.de)  
[info@hoshizaki.fr](mailto:info@hoshizaki.fr)  
[info@hoshizaki.es](mailto:info@hoshizaki.es)  
[commerciale@hoshizaki.it](mailto:commerciale@hoshizaki.it)  
[sales.ex@hoshizaki-europe.com](mailto:sales.ex@hoshizaki-europe.com)

Hoshizaki Netherlands [info@hoshizaki.nl](mailto:info@hoshizaki.nl)  
Hoshizaki Norge [salg@hoshizaki.no](mailto:salg@hoshizaki.no)  
Hoshizaki Sverige [orderSE@hoshizaki.dk](mailto:orderSE@hoshizaki.dk)  
Hoshizaki UK [uksales@hoshizaki.uk](mailto:uksales@hoshizaki.uk)  
Export countries [sales.ex@hoshizaki-europe.com](mailto:sales.ex@hoshizaki-europe.com)  
Other countries [sales.ex@hoshizaki-europe.com](mailto:sales.ex@hoshizaki-europe.com)

[www.hoshizaki.uk](http://www.hoshizaki.uk)