

DARK MATTER™

Sentry Streaming Microphone



P/N 43906

User's Manual

SAFETY WARNINGS AND GUIDELINES

Please read this entire manual before using this device, paying extra attention to these safety warnings and guidelines. Please keep this manual in a safe place for future reference.

- This device is intended for indoor use only.
- Do not expose this device to water or moisture of any kind. Do not place drinks or other containers with moisture on or near the device. If moisture does get in or on the device, immediately remove it from its power source and allow it to fully dry before reapplying power.
- Do not expose this device to excessive vibration or extreme force, shock, or fluctuations in temperature or humidity.
- Do not expose this device to excessively high temperatures. Do not place it in, on, or near a heat source, such as a fireplace, stove, radiator, etc. Do not leave it in direct sunlight.
- Clean using a soft, dry cloth only. Do not use chemical cleaners, solvents, or detergents. For stubborn deposits, moisten the cloth with warm water.
- This device has no user serviceable parts. Do not attempt to open, service, or modify this device.

CUSTOMER SERVICE

The Monoprice™ Customer Service department is dedicated to ensuring that your ordering, purchasing, and delivery experience is second to none. If you have any problem with your order, please give us an opportunity to make it right. You can contact a Monoprice Customer Service representative through the Live Chat link on our website www.monoprice.com or via email at support@monoprice.com. Check the website for support times and links.

PACKAGE CONTENTS

Please take an inventory of the package contents to ensure you have all the items listed below. If anything is missing or damaged, please contact Monoprice™

Customer Service for a replacement.

1x Sentry Streaming Microphone

1x Stand

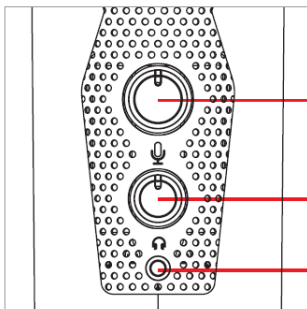
1x Stand Screw

1x USB Cable

1x User's Manual

PRODUCT OVERVIEW

Front View



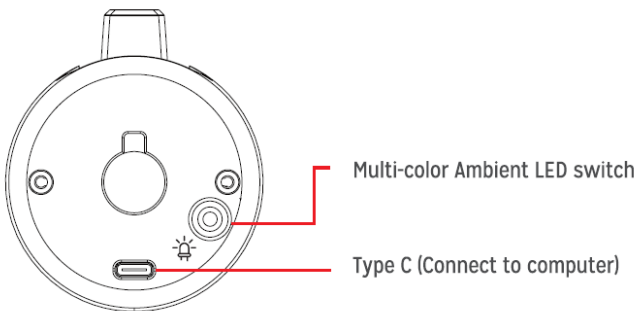
Dual function button

- A. Turn left to right to increase gain
- B. Press in to mute (LED glows RED)

Headphone volume controller

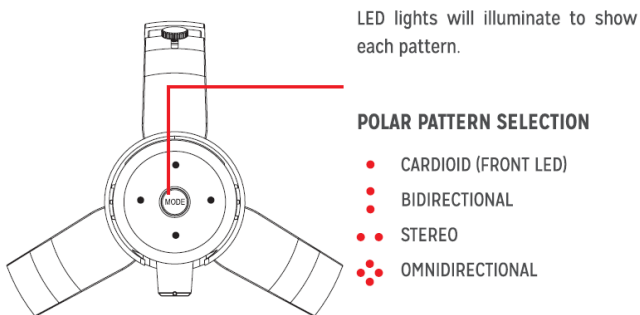
Headphone (3.5mm input)

Bottom View



- Momentarily press the **Multi-color Ambient LED Switch** button to cycle through the seven available colors.
- Press and hold the **Multi-color Ambient LED Switch** button for three seconds to turn the Ambient LED lighting on or off.

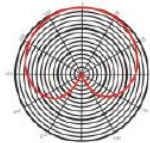
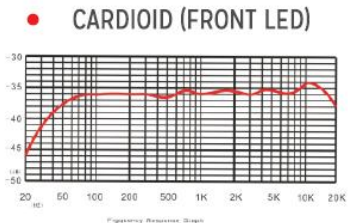
Top View



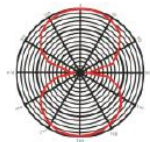
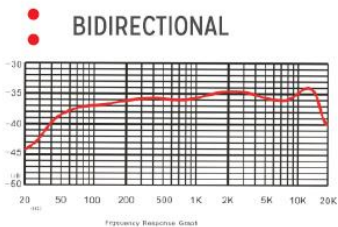
- Momentarily press the **MODE** button to cycle through the four Polar Patterns.

POLAR PATTERNS

Note that the top of the polar pattern diagram is the front of the microphone.

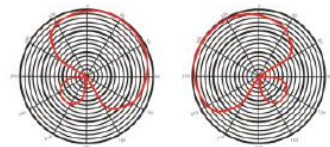
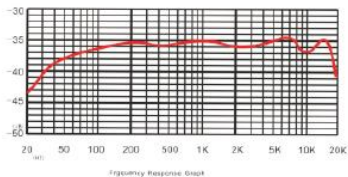


The **Cardioid** pattern captures sound from the front of the microphone and rejects sounds from the rear. It is the most common and the most useful pattern under ordinary circumstances.



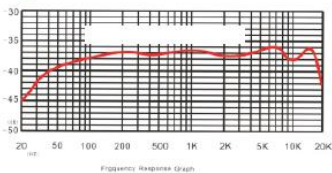
The **Bidirectional** pattern captures sound from both the front and rear of the microphone and rejects sounds from the sides. It is typically used for interviews, with each person on one side of a centrally mounted mic.

• • STEREO



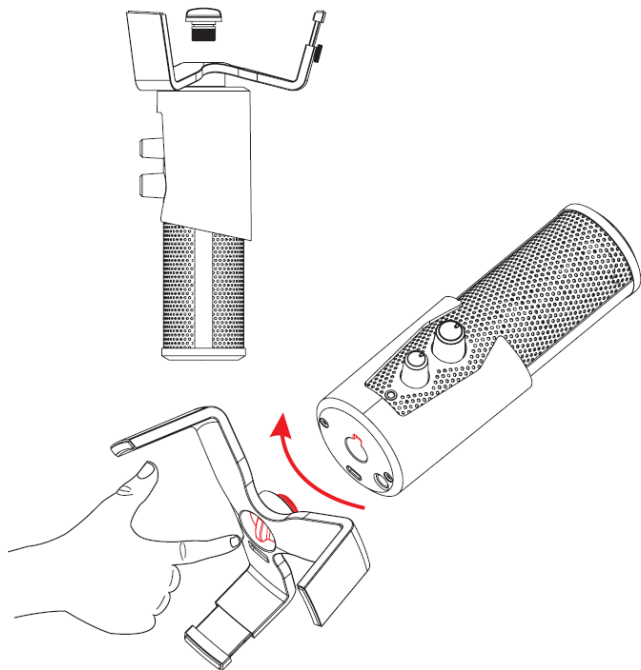
The **Stereo** pattern captures sound from the front and sides and rejects sounds from the rear. It creates a realistic general sound image and is great for recording instruments or acoustics.

• • • • OMNIDIRECTIONAL



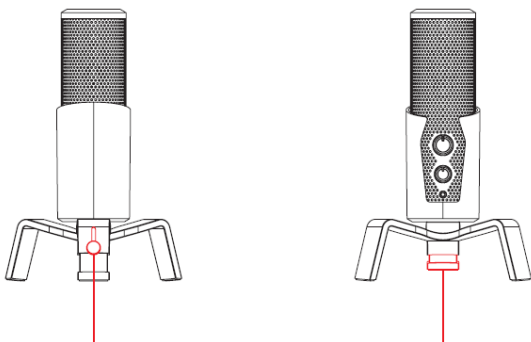
The **Omnidirectional** pattern captures sound equally from all directions. It is great for broadcasts involving multiple people positioned around a centrally mounted mic.

INSTALLING THE STAND



Position the **Stand** on the bottom of the **Microphone**. Insert the **Stand Screw** into the hole in the bottom of the mic, then turn it clockwise to tighten and secure the stand to the mic.

ADJUSTING THE STAND



Twist the knob counterclockwise to loosen the legs. Position the stand legs as desired, then turn the knob clockwise to lock the legs in place.

INSTALLATION AND CONFIGURATION

1. Plug one end of the included **USB Cable** into the **USB Type-C®** port on the bottom of the microphone, then plug the other end into an available USB port on your PC.
2. Open **System Preferences** on your Mac or **Control Panel** on your Windows PC.
3. In the **Sound** section, select the **Sentry** USB mic as the **Input** or **Recording** device.

SPECIFICATIONS

P/N	43906
Microphone Type	Back electret condenser
Pickup/Polar Patterns	Cardioid, Bidirectional, Stereo, Omnidirectional
Audio Connection	USB 1.0 or 2.0
Frequency Response	20Hz ~ 20kHz
Sensitivity	-36dB \pm 2dB (0dB=1V/Pa at 1kHz)
Maximum SPL	130dB
Microphone Gain	-12dB, 12dB maximum
Output Impedance	32 ohms
Sampling Rate	Up to 96kHz
Bit Depth	24-bit
Compatible Operating Systems	Windows® XP/Vista®/7/8/10, macOS® 10.x or later, Linux®

TECHNICAL SUPPORT

Monoprice™ is pleased to provide free, live, online technical support to assist you with any questions you may have about installation, setup, troubleshooting, or product recommendations. If you ever need assistance with your new product, please come online to talk to one of our friendly and knowledgeable Tech Support Associates. Technical support is available through the online chat button on our website www.monoprice.com or through email by sending a message to tech@monoprice.com. Check the website for support times and links.

To download the latest drivers, firmware, manuals, etc., go to www.monoprice.com and type the **P/N** into the search bar. If available, support files are linked at the bottom of the product page.

REGULATORY COMPLIANCE

Notice for FCC



This device complies with Part 15 of the FCC rules. Operation is subject to the following two conditions: (1) this device may not cause harmful interference, and (2) this device must accept any interference received, including interference that may cause undesired operation.

Modifying the equipment without Monoprice's authorization may result in the equipment no longer complying with FCC requirements for Class B digital devices. In that event, your right to use the equipment may be limited by FCC regulations, and you may be required to correct any interference to radio or television communications at your own expense.

This equipment has been tested and found to comply with the limits for a Class B digital device, pursuant to Part 15 of the FCC Rules. These limits are designed to provide reasonable protection against harmful interference in a residential installation. This equipment generates, uses and can radiate radio frequency energy and, if not installed and used in accordance with the instructions, may cause harmful interference to radio communications. However, there is no guarantee that interference will not occur in a particular installation. If this equipment does cause harmful interference to radio or television reception, which can be determined by turning the equipment off and on, the user is encouraged to try to correct the interference by one or more of the following measures:

- Reorient or relocate the receiving antenna.
- Increase the separation between the equipment and receiver.
- Connect the equipment into an outlet on a circuit different from that to which the receiver is connected.
- Consult the dealer or an experienced radio/TV technician for help.

Notice for ISED Canada

This Class B digital apparatus complies with Canadian ICES-003.

Cet appareil numérique de la classe B est conforme à la norme NMB-003 du Canada.

Monoprice™, Dark Matter™, the Dark Matter logo, and all Monoprice logos are trademarks of Monoprice Inc.

USB Type-C® and USB-C® are registered trademarks of USB Implementers Forum.

Microsoft®, Windows®, and Vista® are either registered trademarks or trademarks of Microsoft Corporation in the United States and/or other countries.

Apple®, Mac®, and macOS® are trademarks of Apple Inc., registered in the U.S. and other countries.

Linux® is the registered trademark of Linus Torvalds in the U.S. and other countries.