

Additional Information for Using Sony Wall-Mount Bracket (SU-WL500)

Compatible TV models for this Wall-Mount Bracket information:

KDL-55HX857/55HX855/55HX850/46HX857/46HX855/46HX850

**KDL-55HX757/55HX755/55HX751/55HX750/46HX757/46HX755/46HX751/46HX750/
40HX757/40HX755/40HX750/32HX757/32HX755/32HX750**

**KDL-46EX657/46EX655/46EX651/46EX650/40EX657/40EX655/40EX651/40EX650/
32EX657/32EX655/32EX651/32EX650/32EX557/32EX555/32EX550**

For product protection and safety reasons, Sony strongly recommends that you use the Wall-Mount Bracket model designed for your TV and that the wall-mounting of your TV is performed by Sony dealers or licensed contractors.

To Customers

Please provide your licensed contractor with this installation supplement as well as the instructions (supplied with the SU-WL500 Wall-Mount Bracket). Read these documents carefully for safety and proper installation.

To Sony Dealers and Contractors

Provide full attention to safety during the installation, periodic maintenance and examination of this product.

Sufficient expertise is required in installing this product, especially to determine the strength of the wall for withstanding the TV's weight. Be sure to entrust the attachment of this product to the wall to Sony dealers or licensed contractors and pay adequate attention to safety during the installation. Sony is not liable for any damage or injury caused by mishandling or improper installation.

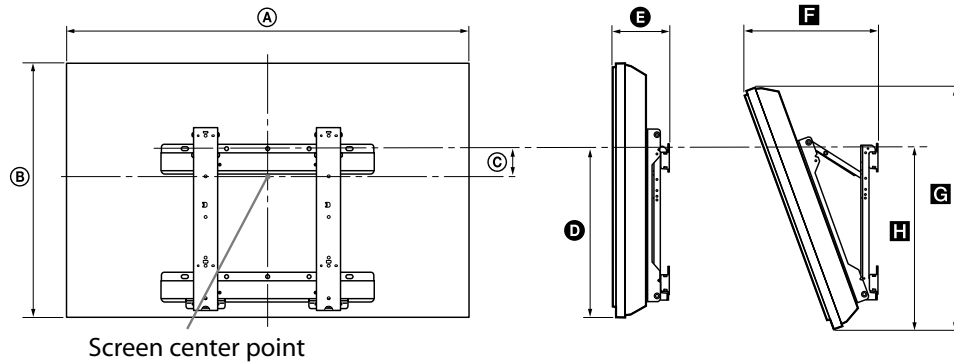
For proper installation, follow your wall-mount bracket instructions and the directions below.

Installing the Wall-Mount Bracket

Install the Base Bracket and Mounting Hooks.

- 1** Open the Wall-Mount Bracket package and check for all the required parts along with the Instructions.
- 2** Decide where you want to install your TV. Refer to the TV installation dimensions table.

Dimension Table



Unit: inches (mm)

Model Name	Display dimensions		Screen center dimensions	Length for each mounting angle				
				Angle (0°)		Angle (20°)		
	A	B	C	D	E	F	G	H
KDL-55HX85□*	50 1/4 (1,274)	29 5/8 (750)	3 1/8 (78)	18 1/8 (459)	3 3/4 (93)	12 5/8 (319)	27 7/8 (705)	18 3/4 (474)
KDL-46HX85□*	42 1/2 (1,077)	25 1/4 (640)	5 1/4 (133)	18 1/8 (459)	3 3/4 (93)	11 1/8 (282)	23 3/4 (602)	18 3/4 (474)
KDL-55HX75□*	50 1/8 (1,271)	30 (761)	3 1/8 (78)	18 1/2 (468)	4 1/4 (107)	13 1/4 (334)	27 7/8 (705)	18 7/8 (477)
KDL-46HX75□*	42 3/8 (1,076)	25 5/8 (650)	5 1/4 (133)	18 1/2 (468)	4 1/4 (107)	11 3/4 (296)	23 3/4 (602)	18 7/8 (477)
KDL-40HX75□*	37 1/4 (943)	22 3/4 (576)	6 3/4 (170)	18 1/2 (468)	4 1/4 (107)	10 3/4 (270)	21 (531)	18 7/8 (477)
KDL-32HX75□*	29 7/8 (756)	18 5/8 (471)	6 1/2 (162)	16 1/8 (408)	4 1/4 (107)	10 (254)	17 1/8 (433)	16 5/8 (421)
KDL-46EX65□*	42 3/8 (1,074)	25 5/8 (649)	5 1/4 (133)	18 1/2 (468)	4 3/8 (108)	11 5/8 (294)	23 5/8 (599)	18 3/4 (476)
KDL-40EX65□*	37 1/8 (941)	22 3/4 (575)	6 3/4 (170)	18 1/2 (468)	4 1/4 (107)	10 5/8 (268)	20 7/8 (529)	18 3/4 (475)
KDL-32EX65□*	29 3/4 (753)	18 5/8 (470)	6 1/2 (162)	16 1/8 (408)	4 1/4 (107)	10 (252)	17 1/4 (438)	16 1/2 (419)
KDL-32EX55□*	29 3/4 (753)	18 5/8 (470)	6 1/2 (162)	16 1/8 (408)	4 1/4 (107)	10 (252)	17 1/4 (438)	16 1/2 (419)

* In the actual model names, the "□" indicates numbers and/or characters specific to each model.

Figures in the above table may differ slightly depending on the installation.

CAUTION

The wall that the TV will be installed on should be capable of supporting a weight of at least four times that of the TV. Refer to your TV's operating instructions for its weight.

3 Install the Base Bracket on the wall.

Refer to the Instructions for SU-WL500.

4 Disconnect all the cables from the TV.

5 Detach the Table-Top Stand from the TV.


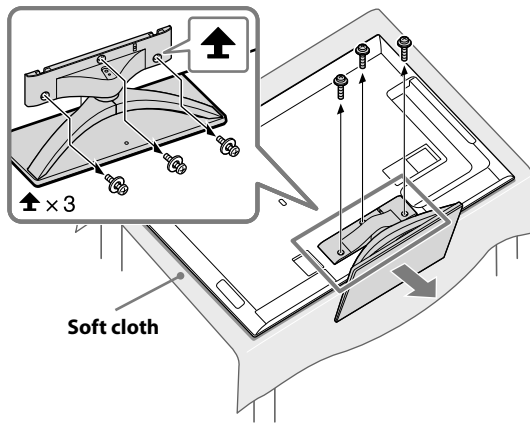
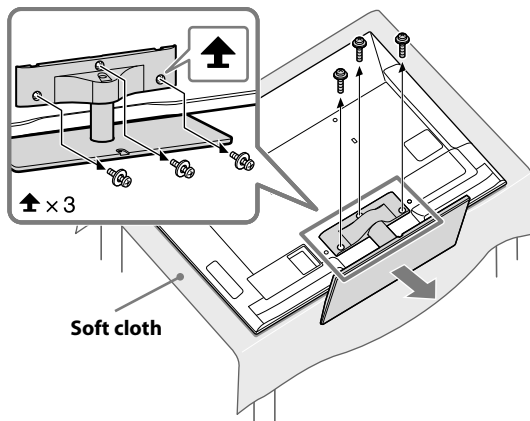
Remove the screws indicated by the arrow marks  on the TV.

Table-Top Stand attached to TV.

For KDL-55HX85□*, KDL-46HX85□*



For KDL-55HX75□*, KDL-46HX75□*, KDL-40HX75□*, KDL-32HX75□*,
KDL-46EX65□*, KDL-40EX65□*, KDL-32EX65□*, KDL-32EX55□*



* In the actual model names, the "□" indicates numbers and/or characters specific to each model.



- Do not remove the Table-Top Stand for any reason other than to install corresponding accessories on the TV.
- When removing the Table-Top Stand from the TV, lay the TV face down on a stable work surface that is larger than the TV.
- To prevent damaging the surface of the TV, make sure to place a soft cloth on the work surface.
- When lifting or moving the TV, keep a soft cloth underneath to prevent damage.
- The number and position of the screws on the rear of the TV differs, depending on the model of TV; be sure to read the operating instructions of your TV.
- Be sure to remove the joint when the Table-Top Stand is not attached to the TV.
- Be sure the TV is in a vertical position before turning it on. The TV set must not be powered on with the LCD panel face down to avoid uneven picture uniformity.

CAUTION

- If pressure or shock is applied to the surface of the TV, the TV may break or become damaged.
- Lay the TV face down on a stable and level surface with the Table-Top Stand hanging over the edge of the surface. Having the TV face and the base of the Table-Top Stand on the same level surface will create an unstable working condition and can damage the TV.
- When detaching the Table-Top Stand from the TV, hold the Table-Top Stand securely with both hands.

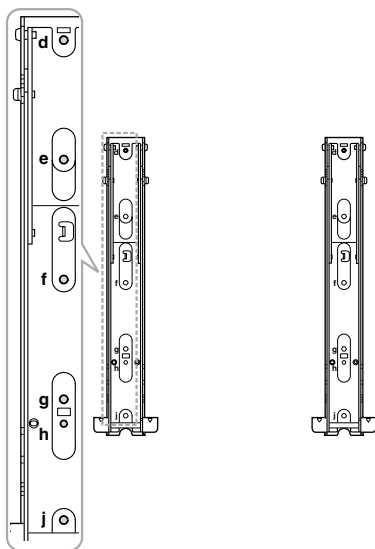
Screw and Hook Locations Diagram/Table

Model Name	Screw Locations	Hook Location
KDL-55HX85□*/KDL-46HX85□*/ KDL-55HX75□*/KDL-46HX75□*/ KDL-40HX75□*/KDL-46EX65□*/ KDL-40EX65□*	e, j	b
KDL-32HX75□*/KDL-32EX65□*/ KDL-32EX55□*	e, g	c

* In the actual model names, the "□" indicates numbers and/or characters specific to each model.

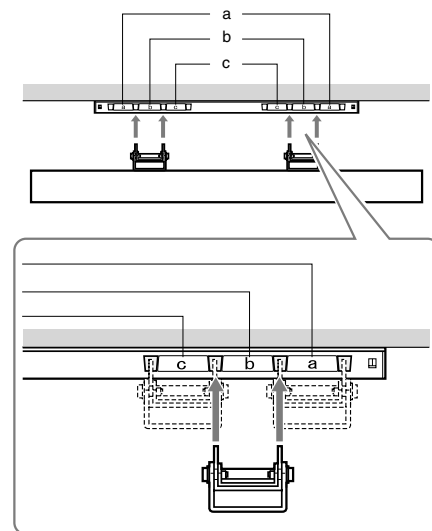
Screw Location

When installing the Mounting Hook on the TV.



Hook Location

When installing the TV onto the Base Bracket.



- Available TV models vary depending on the country/region.
- The availability of this Wall-Mount Bracket (SU-WL500) varies depending on the country/region.

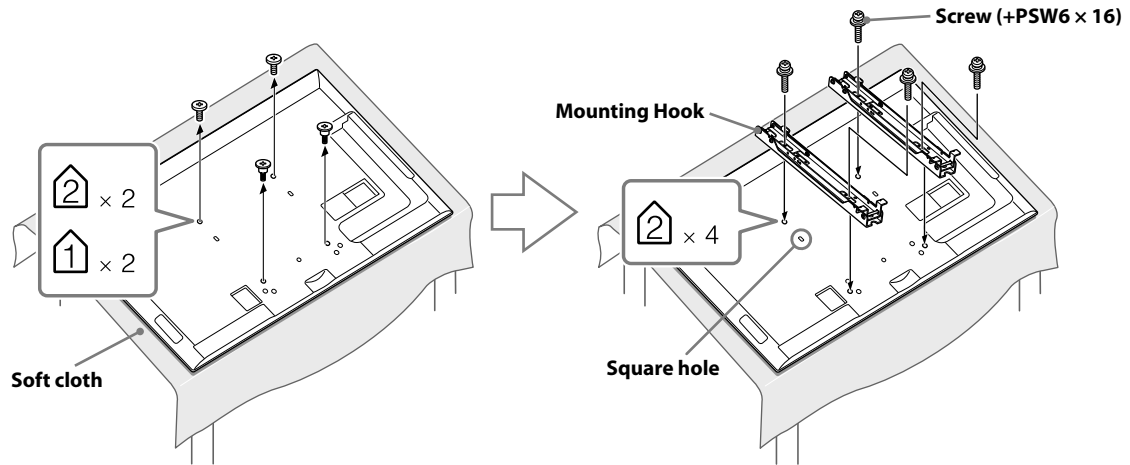
Additional Information for Using Sony Wall-Mount Bracket (SU-WL500)

6

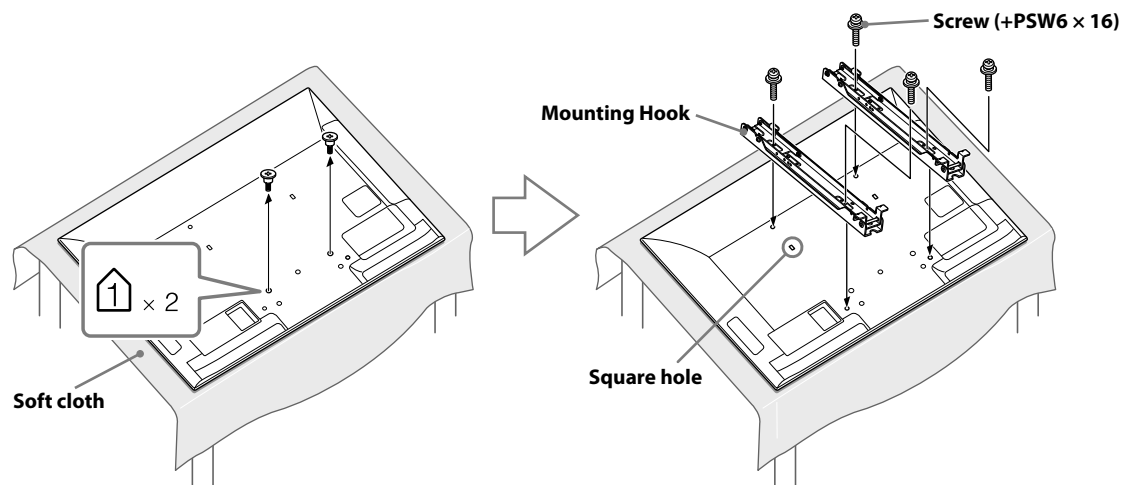
Secure the Mounting Hooks to the rear of the TV.

Determine the screw locations and secure the Mounting Hooks to the rear of the TV. Refer to the "Screw and Hook Locations Diagram/Table" (page 4).

For KDL-55HX85□*, KDL-46HX85□*



For KDL-55HX75□*, KDL-46HX75□*, KDL-40HX75□*, KDL-32HX75□*,
KDL-46EX65□*, KDL-40EX65□*, KDL-32EX65□*, KDL-32EX55□*



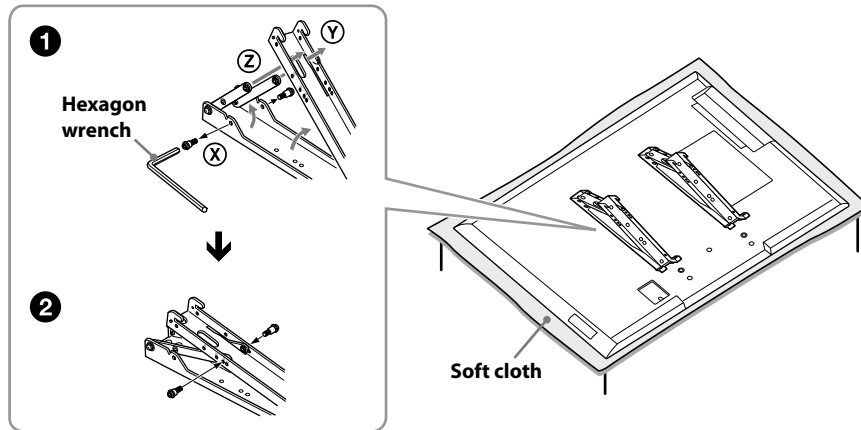
* In the actual model names, the "□" indicates numbers and/or characters specific to each model.

7

Adjust the angle of the Mounting Hook using the hexagon wrench supplied with the Wall-Mount Bracket.

When installing the TV parallel to the wall (0 degrees), adjustment of the Mounting Hook angle (procedures ① and ② below) is not necessary. Make sure that each arm base **X** is screwed in securely.

- ① Remove the two screws from the arm base **X** of the Mounting Hook. Choose the holes corresponding to the desired angle (5, 10, 15 or 20 degrees).
- ② Adjust the angles of the top **Y** and bottom **Z** arm to fit the corresponding hole, and firmly secure each arm using the two screws removed in the previous procedure ①.



- Be sure to adjust the right and left arms to the same angle.
- Make sure that the two arm bases are screwed in securely.

CAUTION

Be careful not to pinch your fingers when adjusting the angle of the Mounting Hook.

8

Install the TV on the wall.

Refer to the Instructions for SU-WL500.

Make sure that you carry out this task with at least two or three people.

Do not attempt to lift the TV by yourself.

For holding and carrying the TV, refer to your TV's instructions.



- When you put the TV back on the stand, reverse the above steps.
- Remove the screws or install the Mounting Bracket on a stable and level surface.