



G7000 series
Online Manual

Contents

Using Online Manual.	11
Symbols Used in This Document.	12
Touch-enabled Device Users (Windows).	13
Trademarks and Licenses.	14
Basic Operation.	29
Printing Photos from a Computer.	30
Printing Photos from a Smartphone/Tablet.	36
Copying.	40
Faxing.	45
Network.	47
Restrictions.	50
Network Connection Tips.	52
Default Network Settings.	53
Detect Same Printer Name.	55
Connects to Another Computer via LAN/Changes from USB to LAN Connection.	56
Printing Network Settings.	57
Reconfiguration Method of LAN Connection/Reconfiguration Method of Wi-Fi Connection.	63
IJ Network Device Setup Utility (macOS).	64
IJ Network Device Setup Utility.	65
Starting Up IJ Network Device Setup Utility.	66
Diagnosing and Repairing Network Settings.	67
List of Models Which Does Not Support Diagnosis and Repair Function.	68
Handling Paper, Originals, Ink Tanks, etc..	69
Loading Paper.	70
Paper Sources.	71
Loading Paper in the Rear Tray.	72
Loading Paper in the Cassette.	77
Loading Envelopes in Rear Tray.	82
Loading Originals.	87
Where to Load Originals.	88
Loading Originals on Platen.	89

Loading Documents in the ADF (Auto Document Feeder).....	91
Loading Based on Use.....	93
Supported Originals.....	96
Refilling Ink Tanks.....	98
Refilling Ink Tanks.....	99
Checking Ink Level.....	105
Ink Tips.....	106
If Printing Is Faint or Uneven.....	107
Maintenance Procedure.....	108
Printing the Nozzle Check Pattern.....	111
Examining the Nozzle Check Pattern.....	112
Cleaning the Print Head.....	113
Deep Print Head Cleaning.....	114
Aligning the Print Head.....	115
Performing Maintenance Functions from Your Computer (macOS).....	116
Opening Remote UI for Maintenance.....	117
Cleaning the Print Heads.....	118
Adjusting Print Head Position.....	120
Cleaning.....	121
Cleaning Paper Feed Rollers.....	122
Cleaning Inside the Printer (Bottom Plate Cleaning).....	124
Overview.....	127
Safety.....	128
Safety Precautions.....	129
Regulatory Information.....	132
WEEE (EU&EEA).....	135
Handling Precautions.....	146
Legal Restrictions on Scanning/Copying.....	147
Printer Handling Precautions.....	148
Transporting Your Printer.....	149
When Repairing, Lending, or Disposing of the Printer.....	153
Keeping Print Quality High.....	154
Main Components and Their Use.....	155

Main Components.	156
Front View.	157
Rear View.	160
Inside View.	161
Operation Panel.	162
Power Supply.	164
Checking that Power Is On.	165
Turning the Printer On and Off.	166
Checking the Power Plug/Power Cord.	168
Unplugging the Printer.	169
LCD and Operation Panel.	170
Entering Numbers, Letters, and Symbols.	172
Changing Settings.	175
Changing Printer Settings from Your Computer (macOS).	176
Managing the Printer Power.	177
Changing the Printer Operation Mode.	178
Changing Settings from Operation Panel.	179
Changing Settings from Operation Panel.	180
Setting Items on Operation Panel.	181
FAX settings.	182
Print settings.	187
LAN settings.	188
Other dev. settings.	192
Language selection.	194
Firmware update.	195
Reset setting.	196
Feed settings.	198
Web service setup.	199
ECO settings.	200
Quiet setting.	202
System information.	203
Specifications.	204
Information about Paper.	208
Supported Media Types.	209

Paper Load Limit.	212
Unsupported Media Types.	214
Handling Paper.	215
Economy Mode.	216
Printing.	217
Printing from Computer.	218
Printing from Application Software (macOS AirPrint).	219
Printing.	220
Perform Borderless Printing.	223
Printing on Postcards.	225
Adding Printer.	227
How to Open Printer Settings Screen.	228
Displaying the Printing Status Screen.	229
Deleting the Undesired Print Job.	230
Removing Printer That Is No Longer Required from List of Printers.	231
Printing Using Canon Application Software.	232
Printing from Smartphone/Tablet.	233
Printing/Scanning with Wireless Direct.	234
Paper Settings.	238
Copying.	242
Making Copies.	243
Setting Items for Copying.	245
Scanning.	248
Scanning from Computer (macOS).	249
Scanning According to Item Type or Purpose (IJ Scan Utility Lite).	250
IJ Scan Utility Lite Features.	251
Scanning Easily (Auto Scan).	253
Scanning Documents and Photos.	255
Scanning Tips.	256
Positioning Originals (Scanning from Computer).	257
Faxing.	262

Preparing for Faxing.	263
Connecting Telephone Line.	264
Setting Telephone Line Type.	268
Setting Receive Mode.	270
Setting Sender Information.	275
Registering Recipients.	280
Registering Recipients Using Operation Panel of Printer.	281
Registering Fax/Telephone Number of Recipients.	282
Registering Recipients in Group Dial.	285
Changing Registered Information.	288
Deleting Registered Information.	290
Printing List of Registered Destinations.	291
Registering Recipients Using Speed Dial Utility2 (macOS).	292
Starting Up Speed Dial Utility2.	293
Speed Dial Utility2 Dialog.	294
Saving Registered Telephone Directory on Printer to Your Computer.	296
Registering a Fax/telephone Number Using Speed Dial Utility2.	297
Changing a Fax/telephone Number Using Speed Dial Utility2.	299
Deleting a Fax/telephone Number Using Speed Dial Utility2.	301
Changing Sender Information Using Speed Dial Utility2.	302
Registering/Changing Rejected Number Using Speed Dial Utility2.	303
Registering Telephone Directory Has been Saved on Your Computer to Printer.	304
Sending Faxes Using Operation Panel of Printer.	305
Sending Faxes by Entering Fax/Telephone Number.	306
Resending Faxes (Redialing Busy Number).	309
Setting Items for Sending Faxes.	311
Sending Faxes from Computer (Mac OS).	313
Sending Faxes Using AirPrint.	314
General Notes (Fax Transmission Using AirPrint).	318
Receiving Faxes.	319
Receiving Faxes.	320
Changing Paper Settings.	324
Substitute Reception in Printer's Memory.	326
Other Useful Fax Functions.	328

Document Stored in Printer's Memory.	329
Printing Document in Printer's Memory.	331
Deleting Document in Printer's Memory.	333
Frequently Asked Questions.	335
Network Settings and Common Problems.	338
Network Communication Problems.	341
Cannot Find Printer on Network.	342
Cannot Find Printer on Check Printer Settings Screen During Setup (Windows).	343
Cannot Find Printer on Check Printer Settings Screen During Wi-Fi Setup (Windows)-Checking Power Status.	344
Cannot Find Printer on Check Printer Settings Screen During Wi-Fi Setup (Windows)-Checking PC Network Connection.	345
Cannot Find Printer on Check Printer Settings Screen During Wi-Fi Setup (Windows)-Checking Printer's Wi-Fi Settings.	346
Cannot Find Printer on Check Printer Settings Screen During Wi-Fi Setup (Windows)-Checking Wi-Fi Environment.	347
Cannot Find Printer on Check Printer Settings Screen During Wi-Fi Setup (Windows)-Checking Printer's IP Address.	349
Cannot Find Printer on Check Printer Settings Screen During Wi-Fi Setup (Windows)-Checking Security Software Settings.	350
Cannot Find Printer on Check Printer Settings Screen During Wi-Fi Setup (Windows)-Checking Wireless Router Settings.	351
Cannot Find Printer on Check Printer Settings Screen During Wired LAN Setup (Windows)-Checking LAN Cable and Router.	352
Cannot Find Printer on Check Printer Settings Screen During Wired LAN Setup (Windows)-Checking PC Network Connection.	353
Cannot Find Printer on Check Printer Settings Screen During Wired LAN Setup (Windows)-Checking Printer's Wired LAN Settings.	354
Cannot Find Printer on Check Printer Settings Screen During Wired LAN Setup (Windows)-Checking Printer's IP Address.	355
Cannot Find Printer on Check Printer Settings Screen During Wired LAN Setup (Windows)-Checking Security Software Settings.	356
Cannot Find Printer on Check Printer Settings Screen During Wired LAN Setup (Windows)-Checking Router Settings.	357
Cannot Proceed beyond Printer Connection Screen.	358
Cannot Find Printer while Using Wi-Fi.	360
Network Connection Problems.	363
Printer Suddenly Stopped Working for Some Reason.	364

Network Key (Password) Unknown.	369
Printer Cannot Be Used After Replacing Wireless Router or Changed Router Settings.	371
Other Network Problems.	373
Checking Network Information.	374
Restoring to Factory Defaults.	377
Problems while Printing/Scanning from Smartphone/Tablet.	378
Cannot Print/Scan from Smartphone/Tablet.	379
Printing Problems.	383
Printer Does Not Print.	384
Ink Does Not Come Out.	387
Ink Runs Out Fast.	389
Printer Does Not Pick up or Feed the Paper/"No Paper" Error.	390
Printout Results Are Unsatisfactory.	393
Printouts Are Blank/Blurry or Fuzzy/Inaccurate or Bleeding Colors/Streaks or Lines.	395
Colors Are Unclear.	398
Lines Are Misaligned/Distorted.	400
Paper Is Smudged / Printed Surface Is Scratched.	401
Vertical Line Next to Image.	405
Scanning Problems (macOS).	406
Scanning Problems.	407
Scanner Does Not Work.	408
Scanner Driver Does Not Start.	409
Error Message Is Displayed.	410
Scanning Does Not Start / Scanning Does Not Complete.	411
Items Cannot Be Scanned Correctly.	412
Faxing Problems.	413
Problems Sending Faxes.	414
Cannot Send a Fax.	415
Errors Often Occur When Send a Fax.	418
Problems Receiving Faxes.	419
Cannot Receive a Fax/Cannot Print a Fax/"Received in memory" Appears.	420
Telephone Problems.	422
Cannot Dial.	423
Telephone Disconnects During a Call.	424

Poor Quality Fax Received.	425
Mechanical Problems.	426
Printer Does Not Turn On.	427
Printer Turns Off Unexpectedly or Repeatedly.	428
USB Connection Problems.	430
Cannot Communicate with Printer via USB.	431
Wrong Language Appears in LCD.	432
Installation and Download Problems.	433
Failed to MP Drivers Installation (Windows).	434
Updating MP Drivers in Network Environment (Windows).	435
Errors and Messages.	436
Four-Digit Alphanumeric Characters Appear on LCD.	437
When Error Occurred.	438
Message (Support Code) Appears.	439
List of Support Code for Error.	443
List of Support Code for Error (Paper Jams).	445
1300.	446
1303.	448
1304.	450
1313.	452
Paper Is Jammed inside Printer.	453
Removing Jammed Paper from Rear Side.	457
1000.	462
Paper is Not in the Cassette (1003).	463
1200.	464
1700.	465
Shipping Tape etc. Are Still Attached (1890).	466
2110.	467
2113.	469
2114.	471
4103.	473
5011.	474
5012.	475

5100..... 476
5200..... 477
5B00..... 478
6000..... 479
C000..... 480

Using Online Manual

- **Operating Environment**
- **Symbols Used in This Document**
- **Touch-enabled Device Users (Windows)**
- **Printing Online Manual**
- **Trademarks and Licenses**
- **Screenshots in This Manual**

Symbols Used in This Document

Warning

Instructions that, if ignored, could result in death, serious personal injury, or property damage caused by incorrect operation of the equipment. These must be observed for safe operation.

Caution

Instructions that, if ignored, could result in personal injury or property damage caused by incorrect operation of the equipment. These must be observed for safe operation.

Important

Instructions including important information that must be observed to avoid damage and injury or improper use of the product. Be sure to read these instructions.

Note

Instructions including notes for operation and additional explanations.

Basics

Instructions explaining basic operations of your product.

Note

- Icons may vary depending on your product.

Touch-enabled Device Users (Windows)

For touch actions, you need to replace "right-click" in this document with the action set on the operating system. For example, if the action is set to "press and hold" on your operating system, replace "right-click" with "press and hold."

Trademarks and Licenses

- Microsoft is a registered trademark of Microsoft Corporation.
- Windows is a trademark or registered trademark of Microsoft Corporation in the U.S. and/or other countries.
- Windows Vista is a trademark or registered trademark of Microsoft Corporation in the U.S. and/or other countries.
- Internet Explorer is a trademark or registered trademark of Microsoft Corporation in the U.S. and/or other countries.
- Mac, Mac OS, macOS, OS X, AirPort, App Store, AirPrint, the AirPrint logo, Safari, Bonjour, iPad, iPhone and iPod touch are trademarks of Apple Inc., registered in the U.S. and other countries.
- IOS is a trademark or registered trademark of Cisco in the U.S. and other countries and is used under license.
- Google Cloud Print, Google Chrome, Chrome OS, Chromebook, Android, Google Drive, Google Apps and Google Analytics are either registered trademarks or trademarks of Google Inc. Google Play and Google Play Logo are trademarks of Google LLC.
- Adobe, Acrobat, Flash, Photoshop, Photoshop Elements, Lightroom, Adobe RGB and Adobe RGB (1998) are either registered trademarks or trademarks of Adobe Systems Incorporated in the United States and/or other countries.
- Bluetooth is a trademark of Bluetooth SIG, Inc., U.S.A. and licensed to Canon Inc.
- Autodesk and AutoCAD are registered trademarks or trademarks of Autodesk, Inc., and/or its subsidiaries and/or affiliates in the USA and/or other countries.
- USB Type-C™ is a trademark of USB Implementers Forum.

»» Note

- The formal name of Windows Vista is Microsoft Windows Vista operating system.

Copyright (c) 2003-2015 Apple Inc. All rights reserved.

Redistribution and use in source and binary forms, with or without modification, are permitted provided that the following conditions are met:

1. Redistributions of source code must retain the above copyright notice, this list of conditions and the following disclaimer.
2. Redistributions in binary form must reproduce the above copyright notice, this list of conditions and the following disclaimer in the documentation and/or other materials provided with the distribution.
3. Neither the name of Apple Inc. ("Apple") nor the names of its contributors may be used to endorse or promote products derived from this software without specific prior written permission.

THIS SOFTWARE IS PROVIDED BY APPLE AND ITS CONTRIBUTORS "AS IS" AND ANY EXPRESS OR IMPLIED WARRANTIES, INCLUDING, BUT NOT LIMITED TO, THE IMPLIED WARRANTIES OF MERCHANTABILITY AND FITNESS FOR A PARTICULAR PURPOSE ARE DISCLAIMED. IN NO EVENT SHALL APPLE OR ITS CONTRIBUTORS BE LIABLE FOR ANY DIRECT, INDIRECT, INCIDENTAL, SPECIAL, EXEMPLARY, OR CONSEQUENTIAL DAMAGES (INCLUDING, BUT NOT LIMITED TO, PROCUREMENT OF SUBSTITUTE GOODS OR SERVICES; LOSS OF USE, DATA, OR PROFITS; OR BUSINESS INTERRUPTION) HOWEVER CAUSED AND ON ANY THEORY OF LIABILITY, WHETHER IN CONTRACT, STRICT LIABILITY, OR TORT (INCLUDING NEGLIGENCE OR OTHERWISE) ARISING IN ANY WAY OUT OF THE USE OF THIS SOFTWARE, EVEN IF ADVISED OF THE POSSIBILITY OF SUCH DAMAGE.

Apache License

Version 2.0, January 2004

<http://www.apache.org/licenses/>

TERMS AND CONDITIONS FOR USE, REPRODUCTION, AND DISTRIBUTION

1. Definitions.

"License" shall mean the terms and conditions for use, reproduction, and distribution as defined by Sections 1 through 9 of this document.

"Licensor" shall mean the copyright owner or entity authorized by the copyright owner that is granting the License.

"Legal Entity" shall mean the union of the acting entity and all other entities that control, are controlled by, or are under common control with that entity. For the purposes of this definition, "control" means (i) the power, direct or indirect, to cause the direction or management of such entity, whether by contract or otherwise, or (ii) ownership of fifty percent (50%) or more of the outstanding shares, or (iii) beneficial ownership of such entity.

"You" (or "Your") shall mean an individual or Legal Entity exercising permissions granted by this License.

"Source" form shall mean the preferred form for making modifications, including but not limited to software source code, documentation source, and configuration files.

"Object" form shall mean any form resulting from mechanical transformation or translation of a Source form, including but not limited to compiled object code, generated documentation, and conversions to other media types.

"Work" shall mean the work of authorship, whether in Source or Object form, made available under the License, as indicated by a copyright notice that is included in or attached to the work (an example is provided in the Appendix below).

"Derivative Works" shall mean any work, whether in Source or Object form, that is based on (or derived from) the Work and for which the editorial revisions, annotations, elaborations, or other modifications represent, as a whole, an original work of authorship. For the purposes of this License, Derivative Works shall not include works that remain separable from, or merely link (or bind by name) to the interfaces of, the Work and Derivative Works thereof.

"Contribution" shall mean any work of authorship, including the original version of the Work and any modifications or additions to that Work or Derivative Works thereof, that is intentionally submitted to Licensor for inclusion in the Work by the copyright owner or by an individual or Legal Entity authorized to submit on behalf of the copyright owner. For the purposes of this definition, "submitted" means any form of electronic, verbal, or written communication sent to the Licensor or its representatives, including but not limited to communication on electronic mailing lists, source code control systems, and issue tracking systems that are managed by, or on behalf of, the Licensor for the purpose of discussing and improving the Work, but excluding communication that is conspicuously marked or otherwise designated in writing by the copyright owner as "Not a Contribution."

"Contributor" shall mean Licensor and any individual or Legal Entity on behalf of whom a Contribution has been received by Licensor and subsequently incorporated within the Work.

2. Grant of Copyright License. Subject to the terms and conditions of this License, each Contributor hereby grants to You a perpetual, worldwide, non-exclusive, no-charge, royalty-free, irrevocable copyright license to reproduce, prepare Derivative Works of, publicly display, publicly perform, sublicense, and distribute the Work and such Derivative Works in Source or Object form.
3. Grant of Patent License. Subject to the terms and conditions of this License, each Contributor hereby grants to You a perpetual, worldwide, non-exclusive, no-charge, royalty-free, irrevocable (except as stated in this section) patent license to make, have made, use, offer to sell, sell, import, and otherwise transfer the Work, where such license applies only to those patent claims licensable by such Contributor that are necessarily infringed by their Contribution(s) alone or by combination of their Contribution(s) with the Work to which such Contribution(s) was submitted. If You institute patent litigation against any entity (including a cross-claim or counterclaim in a lawsuit) alleging that the Work or a Contribution incorporated within the Work constitutes direct or contributory patent infringement, then any patent licenses granted to You under this License for that Work shall terminate as of the date such litigation is filed.
4. Redistribution. You may reproduce and distribute copies of the Work or Derivative Works thereof in any medium, with or without modifications, and in Source or Object form, provided that You meet the following conditions:

1. You must give any other recipients of the Work or Derivative Works a copy of this License; and
2. You must cause any modified files to carry prominent notices stating that You changed the files; and
3. You must retain, in the Source form of any Derivative Works that You distribute, all copyright, patent, trademark, and attribution notices from the Source form of the Work, excluding those notices that do not pertain to any part of the Derivative Works; and
4. If the Work includes a "NOTICE" text file as part of its distribution, then any Derivative Works that You distribute must include a readable copy of the attribution notices contained within such NOTICE file, excluding those notices that do not pertain to any part of the Derivative Works, in at least one of the following places: within a NOTICE text file distributed as part of the Derivative Works; within the Source form or documentation, if provided along with the Derivative Works; or, within a display generated by the Derivative Works, if and wherever such third-party notices normally appear. The contents of the NOTICE file are for informational purposes only and do not modify the License. You may add Your own attribution notices within Derivative Works that You distribute, alongside or as an addendum to the NOTICE text from the Work, provided that such additional attribution notices cannot be construed as modifying the License.

You may add Your own copyright statement to Your modifications and may provide additional or different license terms and conditions for use, reproduction, or distribution of Your modifications, or for any such Derivative Works as a whole, provided Your use, reproduction, and distribution of the Work otherwise complies with the conditions stated in this License.

5. Submission of Contributions. Unless You explicitly state otherwise, any Contribution intentionally submitted for inclusion in the Work by You to the Licensor shall be under the terms and conditions of this License, without any additional terms or conditions. Notwithstanding the above, nothing herein shall supersede or modify the terms of any separate license agreement you may have executed with Licensor regarding such Contributions.
6. Trademarks. This License does not grant permission to use the trade names, trademarks, service marks, or product names of the Licensor, except as required for reasonable and customary use in describing the origin of the Work and reproducing the content of the NOTICE file.

7. Disclaimer of Warranty. Unless required by applicable law or agreed to in writing, Licensor provides the Work (and each Contributor provides its Contributions) on an "AS IS" BASIS, WITHOUT WARRANTIES OR CONDITIONS OF ANY KIND, either express or implied, including, without limitation, any warranties or conditions of TITLE, NON-INFRINGEMENT, MERCHANTABILITY, or FITNESS FOR A PARTICULAR PURPOSE. You are solely responsible for determining the appropriateness of using or redistributing the Work and assume any risks associated with Your exercise of permissions under this License.
8. Limitation of Liability. In no event and under no legal theory, whether in tort (including negligence), contract, or otherwise, unless required by applicable law (such as deliberate and grossly negligent acts) or agreed to in writing, shall any Contributor be liable to You for damages, including any direct, indirect, special, incidental, or consequential damages of any character arising as a result of this License or out of the use or inability to use the Work (including but not limited to damages for loss of goodwill, work stoppage, computer failure or malfunction, or any and all other commercial damages or losses), even if such Contributor has been advised of the possibility of such damages.
9. Accepting Warranty or Additional Liability. While redistributing the Work or Derivative Works thereof, You may choose to offer, and charge a fee for, acceptance of support, warranty, indemnity, or other liability obligations and/or rights consistent with this License. However, in accepting such obligations, You may act only on Your own behalf and on Your sole responsibility, not on behalf of any other Contributor, and only if You agree to indemnify, defend, and hold each Contributor harmless for any liability incurred by, or claims asserted against, such Contributor by reason of your accepting any such warranty or additional liability.

END OF TERMS AND CONDITIONS

---- Part 1: CMU/UCD copyright notice: (BSD like) ----

Copyright 1989, 1991, 1992 by Carnegie Mellon University

Derivative Work - 1996, 1998-2000

Copyright 1996, 1998-2000 The Regents of the University of California

All Rights Reserved

Permission to use, copy, modify and distribute this software and its documentation for any purpose and without fee is hereby granted, provided that the above copyright notice appears in all copies and that both that copyright notice and this permission notice appear in supporting documentation, and that the name of CMU and The Regents of the University of California not be used in advertising or publicity pertaining to distribution of the software without specific written permission.

CMU AND THE REGENTS OF THE UNIVERSITY OF CALIFORNIA DISCLAIM ALL WARRANTIES WITH REGARD TO THIS SOFTWARE, INCLUDING ALL IMPLIED WARRANTIES OF MERCHANTABILITY AND FITNESS. IN NO EVENT SHALL CMU OR THE REGENTS OF THE UNIVERSITY OF CALIFORNIA BE LIABLE FOR ANY SPECIAL, INDIRECT OR CONSEQUENTIAL DAMAGES OR ANY DAMAGES WHATSOEVER RESULTING FROM THE LOSS OF USE, DATA OR PROFITS, WHETHER IN AN ACTION OF CONTRACT, NEGLIGENCE OR OTHER TORTIOUS ACTION, ARISING OUT OF OR IN CONNECTION WITH THE USE OR PERFORMANCE OF THIS SOFTWARE.

---- Part 2: Networks Associates Technology, Inc copyright notice (BSD) ----

Copyright (c) 2001-2003, Networks Associates Technology, Inc

All rights reserved.

Redistribution and use in source and binary forms, with or without modification, are permitted provided that the following conditions are met:

- * Redistributions of source code must retain the above copyright notice, this list of conditions and the following disclaimer.
- * Redistributions in binary form must reproduce the above copyright notice, this list of conditions and the following disclaimer in the documentation and/or other materials provided with the distribution.
- * Neither the name of the Networks Associates Technology, Inc nor the names of its contributors may be used to endorse or promote products derived from this software without specific prior written permission.

THIS SOFTWARE IS PROVIDED BY THE COPYRIGHT HOLDERS AND CONTRIBUTORS ``AS IS" AND ANY EXPRESS OR IMPLIED WARRANTIES, INCLUDING, BUT NOT LIMITED TO, THE IMPLIED WARRANTIES OF MERCHANTABILITY AND FITNESS FOR A PARTICULAR PURPOSE ARE DISCLAIMED. IN NO EVENT SHALL THE COPYRIGHT HOLDERS OR CONTRIBUTORS BE LIABLE FOR ANY DIRECT, INDIRECT, INCIDENTAL, SPECIAL, EXEMPLARY, OR CONSEQUENTIAL DAMAGES (INCLUDING, BUT NOT LIMITED TO, PROCUREMENT OF SUBSTITUTE GOODS OR SERVICES; LOSS OF USE, DATA, OR PROFITS; OR BUSINESS INTERRUPTION) HOWEVER CAUSED AND ON ANY THEORY OF LIABILITY, WHETHER IN CONTRACT, STRICT LIABILITY, OR TORT (INCLUDING NEGLIGENCE OR OTHERWISE) ARISING IN ANY WAY OUT OF THE USE OF THIS SOFTWARE, EVEN IF ADVISED OF THE POSSIBILITY OF SUCH DAMAGE.

---- Part 3: Cambridge Broadband Ltd. copyright notice (BSD) ----

Portions of this code are copyright (c) 2001-2003, Cambridge Broadband Ltd.

All rights reserved.

Redistribution and use in source and binary forms, with or without modification, are permitted provided that the following conditions are met:

- * Redistributions of source code must retain the above copyright notice, this list of conditions and the following disclaimer.
- * Redistributions in binary form must reproduce the above copyright notice, this list of conditions and the following disclaimer in the documentation and/or other materials provided with the distribution.
- * The name of Cambridge Broadband Ltd. may not be used to endorse or promote products derived from this software without specific prior written permission.

THIS SOFTWARE IS PROVIDED BY THE COPYRIGHT HOLDER ``AS IS" AND ANY EXPRESS OR IMPLIED WARRANTIES, INCLUDING, BUT NOT LIMITED TO, THE IMPLIED WARRANTIES OF MERCHANTABILITY AND FITNESS FOR A PARTICULAR PURPOSE ARE DISCLAIMED. IN NO EVENT SHALL THE COPYRIGHT HOLDER BE LIABLE FOR ANY DIRECT, INDIRECT, INCIDENTAL, SPECIAL, EXEMPLARY, OR CONSEQUENTIAL DAMAGES (INCLUDING, BUT NOT LIMITED TO, PROCUREMENT OF SUBSTITUTE GOODS OR SERVICES; LOSS OF USE, DATA, OR PROFITS; OR BUSINESS INTERRUPTION) HOWEVER CAUSED AND ON ANY THEORY OF LIABILITY, WHETHER IN CONTRACT, STRICT LIABILITY, OR TORT (INCLUDING NEGLIGENCE OR OTHERWISE) ARISING IN ANY WAY OUT OF THE USE OF THIS SOFTWARE, EVEN IF ADVISED OF THE POSSIBILITY OF SUCH DAMAGE.

---- Part 4: Sun Microsystems, Inc. copyright notice (BSD) ----

Copyright c 2003 Sun Microsystems, Inc., 4150 Network Circle, Santa Clara, California 95054, U.S.A. All rights reserved.

Use is subject to license terms below.

This distribution may include materials developed by third parties.

Sun, Sun Microsystems, the Sun logo and Solaris are trademarks or registered trademarks of Sun Microsystems, Inc. in the U.S. and other countries.

Redistribution and use in source and binary forms, with or without modification, are permitted provided that the following conditions are met:

- * Redistributions of source code must retain the above copyright notice, this list of conditions and the following disclaimer.
- * Redistributions in binary form must reproduce the above copyright notice, this list of conditions and the following disclaimer in the documentation and/or other materials provided with the distribution.
- * Neither the name of the Sun Microsystems, Inc. nor the names of its contributors may be used to endorse or promote products derived from this software without specific prior written permission.

THIS SOFTWARE IS PROVIDED BY THE COPYRIGHT HOLDERS AND CONTRIBUTORS "AS IS" AND ANY EXPRESS OR IMPLIED WARRANTIES, INCLUDING, BUT NOT LIMITED TO, THE IMPLIED WARRANTIES OF MERCHANTABILITY AND FITNESS FOR A PARTICULAR PURPOSE ARE DISCLAIMED. IN NO EVENT SHALL THE COPYRIGHT HOLDERS OR CONTRIBUTORS BE LIABLE FOR ANY DIRECT, INDIRECT, INCIDENTAL, SPECIAL, EXEMPLARY, OR CONSEQUENTIAL DAMAGES (INCLUDING, BUT NOT LIMITED TO, PROCUREMENT OF SUBSTITUTE GOODS OR SERVICES; LOSS OF USE, DATA, OR PROFITS; OR BUSINESS INTERRUPTION) HOWEVER CAUSED AND ON ANY THEORY OF LIABILITY, WHETHER IN CONTRACT, STRICT LIABILITY, OR TORT (INCLUDING NEGLIGENCE OR OTHERWISE) ARISING IN ANY WAY OUT OF THE USE OF THIS SOFTWARE, EVEN IF ADVISED OF THE POSSIBILITY OF SUCH DAMAGE.

---- Part 5: Sparta, Inc copyright notice (BSD) ----

Copyright (c) 2003-2012, Sparta, Inc

All rights reserved.

Redistribution and use in source and binary forms, with or without modification, are permitted provided that the following conditions are met:

- * Redistributions of source code must retain the above copyright notice, this list of conditions and the following disclaimer.
- * Redistributions in binary form must reproduce the above copyright notice, this list of conditions and the following disclaimer in the documentation and/or other materials provided with the distribution.
- * Neither the name of Sparta, Inc nor the names of its contributors may be used to endorse or promote products derived from this software without specific prior written permission.

THIS SOFTWARE IS PROVIDED BY THE COPYRIGHT HOLDERS AND CONTRIBUTORS "AS IS" AND ANY EXPRESS OR IMPLIED WARRANTIES, INCLUDING, BUT NOT LIMITED TO, THE IMPLIED WARRANTIES OF MERCHANTABILITY AND FITNESS FOR A PARTICULAR PURPOSE ARE DISCLAIMED. IN NO EVENT SHALL THE COPYRIGHT HOLDERS OR CONTRIBUTORS BE LIABLE FOR ANY DIRECT, INDIRECT, INCIDENTAL, SPECIAL, EXEMPLARY, OR CONSEQUENTIAL DAMAGES (INCLUDING, BUT NOT LIMITED TO, PROCUREMENT OF SUBSTITUTE GOODS OR SERVICES; LOSS OF USE, DATA, OR PROFITS; OR BUSINESS INTERRUPTION) HOWEVER CAUSED AND ON ANY THEORY OF LIABILITY, WHETHER IN CONTRACT, STRICT LIABILITY, OR

TORT (INCLUDING NEGLIGENCE OR OTHERWISE) ARISING IN ANY WAY OUT OF THE USE OF THIS SOFTWARE, EVEN IF ADVISED OF THE POSSIBILITY OF SUCH DAMAGE.

---- Part 6: Cisco/BUPTNIC copyright notice (BSD) ----

Copyright (c) 2004, Cisco, Inc and Information Network Center of Beijing University of Posts and Telecommunications.

All rights reserved.

Redistribution and use in source and binary forms, with or without modification, are permitted provided that the following conditions are met:

- * Redistributions of source code must retain the above copyright notice, this list of conditions and the following disclaimer.
- * Redistributions in binary form must reproduce the above copyright notice, this list of conditions and the following disclaimer in the documentation and/or other materials provided with the distribution.
- * Neither the name of Cisco, Inc, Beijing University of Posts and Telecommunications, nor the names of their contributors may be used to endorse or promote products derived from this software without specific prior written permission.

THIS SOFTWARE IS PROVIDED BY THE COPYRIGHT HOLDERS AND CONTRIBUTORS "AS IS" AND ANY EXPRESS OR IMPLIED WARRANTIES, INCLUDING, BUT NOT LIMITED TO, THE IMPLIED WARRANTIES OF MERCHANTABILITY AND FITNESS FOR A PARTICULAR PURPOSE ARE DISCLAIMED. IN NO EVENT SHALL THE COPYRIGHT HOLDERS OR CONTRIBUTORS BE LIABLE FOR ANY DIRECT, INDIRECT, INCIDENTAL, SPECIAL, EXEMPLARY, OR CONSEQUENTIAL DAMAGES (INCLUDING, BUT NOT LIMITED TO, PROCUREMENT OF SUBSTITUTE GOODS OR SERVICES; LOSS OF USE, DATA, OR PROFITS; OR BUSINESS INTERRUPTION) HOWEVER CAUSED AND ON ANY THEORY OF LIABILITY, WHETHER IN CONTRACT, STRICT LIABILITY, OR TORT (INCLUDING NEGLIGENCE OR OTHERWISE) ARISING IN ANY WAY OUT OF THE USE OF THIS SOFTWARE, EVEN IF ADVISED OF THE POSSIBILITY OF SUCH DAMAGE.

---- Part 7: Fabasoft R&D Software GmbH & Co KG copyright notice (BSD) ----

Copyright (c) Fabasoft R&D Software GmbH & Co KG, 2003 oss@fabasoft.com

Author: Bernhard Penz <bernhard.penz@fabasoft.com>

Redistribution and use in source and binary forms, with or without modification, are permitted provided that the following conditions are met:

- * Redistributions of source code must retain the above copyright notice, this list of conditions and the following disclaimer.
- * Redistributions in binary form must reproduce the above copyright notice, this list of conditions and the following disclaimer in the documentation and/or other materials provided with the distribution.
- * The name of Fabasoft R&D Software GmbH & Co KG or any of its subsidiaries, brand or product names may not be used to endorse or promote products derived from this software without specific prior written permission.

THIS SOFTWARE IS PROVIDED BY THE COPYRIGHT HOLDER "AS IS" AND ANY EXPRESS OR IMPLIED WARRANTIES, INCLUDING, BUT NOT LIMITED TO, THE IMPLIED WARRANTIES OF MERCHANTABILITY AND FITNESS FOR A PARTICULAR PURPOSE ARE DISCLAIMED. IN NO EVENT SHALL THE COPYRIGHT HOLDER BE LIABLE FOR ANY DIRECT, INDIRECT, INCIDENTAL,

SPECIAL, EXEMPLARY, OR CONSEQUENTIAL DAMAGES (INCLUDING, BUT NOT LIMITED TO, PROCUREMENT OF SUBSTITUTE GOODS OR SERVICES; LOSS OF USE, DATA, OR PROFITS; OR BUSINESS INTERRUPTION) HOWEVER CAUSED AND ON ANY THEORY OF LIABILITY, WHETHER IN CONTRACT, STRICT LIABILITY, OR TORT (INCLUDING NEGLIGENCE OR OTHERWISE) ARISING IN ANY WAY OUT OF THE USE OF THIS SOFTWARE, EVEN IF ADVISED OF THE POSSIBILITY OF SUCH DAMAGE.

---- Part 8: Apple Inc. copyright notice (BSD) ----

Copyright (c) 2007 Apple Inc. All rights reserved.

Redistribution and use in source and binary forms, with or without modification, are permitted provided that the following conditions are met:

1. Redistributions of source code must retain the above copyright notice, this list of conditions and the following disclaimer.
2. Redistributions in binary form must reproduce the above copyright notice, this list of conditions and the following disclaimer in the documentation and/or other materials provided with the distribution.
3. Neither the name of Apple Inc. ("Apple") nor the names of its contributors may be used to endorse or promote products derived from this software without specific prior written permission.

THIS SOFTWARE IS PROVIDED BY APPLE AND ITS CONTRIBUTORS "AS IS" AND ANY EXPRESS OR IMPLIED WARRANTIES, INCLUDING, BUT NOT LIMITED TO, THE IMPLIED WARRANTIES OF MERCHANTABILITY AND FITNESS FOR A PARTICULAR PURPOSE ARE DISCLAIMED. IN NO EVENT SHALL APPLE OR ITS CONTRIBUTORS BE LIABLE FOR ANY DIRECT, INDIRECT, INCIDENTAL, SPECIAL, EXEMPLARY, OR CONSEQUENTIAL DAMAGES (INCLUDING, BUT NOT LIMITED TO, PROCUREMENT OF SUBSTITUTE GOODS OR SERVICES; LOSS OF USE, DATA, OR PROFITS; OR BUSINESS INTERRUPTION) HOWEVER CAUSED AND ON ANY THEORY OF LIABILITY, WHETHER IN CONTRACT, STRICT LIABILITY, OR TORT (INCLUDING NEGLIGENCE OR OTHERWISE) ARISING IN ANY WAY OUT OF THE USE OF THIS SOFTWARE, EVEN IF ADVISED OF THE POSSIBILITY OF SUCH DAMAGE.

---- Part 9: ScienceLogic, LLC copyright notice (BSD) ----

Copyright (c) 2009, ScienceLogic, LLC

All rights reserved.

Redistribution and use in source and binary forms, with or without modification, are permitted provided that the following conditions are met:

- * Redistributions of source code must retain the above copyright notice, this list of conditions and the following disclaimer.
- * Redistributions in binary form must reproduce the above copyright notice, this list of conditions and the following disclaimer in the documentation and/or other materials provided with the distribution.
- * Neither the name of ScienceLogic, LLC nor the names of its contributors may be used to endorse or promote products derived from this software without specific prior written permission.

THIS SOFTWARE IS PROVIDED BY THE COPYRIGHT HOLDERS AND CONTRIBUTORS "AS IS" AND ANY EXPRESS OR IMPLIED WARRANTIES, INCLUDING, BUT NOT LIMITED TO, THE IMPLIED WARRANTIES OF MERCHANTABILITY AND FITNESS FOR A PARTICULAR PURPOSE ARE DISCLAIMED. IN NO EVENT SHALL THE COPYRIGHT HOLDERS OR CONTRIBUTORS BE LIABLE

FOR ANY DIRECT, INDIRECT, INCIDENTAL, SPECIAL, EXEMPLARY, OR CONSEQUENTIAL DAMAGES (INCLUDING, BUT NOT LIMITED TO, PROCUREMENT OF SUBSTITUTE GOODS OR SERVICES; LOSS OF USE, DATA, OR PROFITS; OR BUSINESS INTERRUPTION) HOWEVER CAUSED AND ON ANY THEORY OF LIABILITY, WHETHER IN CONTRACT, STRICT LIABILITY, OR TORT (INCLUDING NEGLIGENCE OR OTHERWISE) ARISING IN ANY WAY OUT OF THE USE OF THIS SOFTWARE, EVEN IF ADVISED OF THE POSSIBILITY OF SUCH DAMAGE.

LEADTOOLS

Copyright (C) 1991-2009 LEAD Technologies, Inc.

CMap Resources

Copyright 1990-2009 Adobe Systems Incorporated.

All rights reserved.

Copyright 1990-2010 Adobe Systems Incorporated.

All rights reserved.

Redistribution and use in source and binary forms, with or without modification, are permitted provided that the following conditions are met:

Redistributions of source code must retain the above copyright notice, this list of conditions and the following disclaimer.

Redistributions in binary form must reproduce the above copyright notice, this list of conditions and the following disclaimer in the documentation and/or other materials provided with the distribution.

Neither the name of Adobe Systems Incorporated nor the names of its contributors may be used to endorse or promote products derived from this software without specific prior written permission.

THIS SOFTWARE IS PROVIDED BY THE COPYRIGHT HOLDERS AND CONTRIBUTORS "AS IS" AND ANY EXPRESS OR IMPLIED WARRANTIES, INCLUDING, BUT NOT LIMITED TO, THE IMPLIED WARRANTIES OF MERCHANTABILITY AND FITNESS FOR A PARTICULAR PURPOSE ARE DISCLAIMED. IN NO EVENT SHALL THE COPYRIGHT HOLDER OR CONTRIBUTORS BE LIABLE FOR ANY DIRECT, INDIRECT, INCIDENTAL, SPECIAL, EXEMPLARY, OR CONSEQUENTIAL DAMAGES (INCLUDING, BUT NOT LIMITED TO, PROCUREMENT OF SUBSTITUTE GOODS OR SERVICES; LOSS OF USE, DATA, OR PROFITS; OR BUSINESS INTERRUPTION) HOWEVER CAUSED AND ON ANY THEORY OF LIABILITY, WHETHER IN CONTRACT, STRICT LIABILITY, OR TORT (INCLUDING NEGLIGENCE OR OTHERWISE) ARISING IN ANY WAY OUT OF THE USE OF THIS SOFTWARE, EVEN IF ADVISED OF THE POSSIBILITY OF SUCH DAMAGE.

MIT License

Copyright (c) 1998, 1999, 2000 Thai Open Source Software Center Ltd

Permission is hereby granted, free of charge, to any person obtaining a copy of this software and associated documentation files (the "Software"), to deal in the Software without restriction, including without limitation the rights to use, copy, modify, merge, publish, distribute, sublicense, and/or sell copies of the Software, and to permit persons to whom the Software is furnished to do so, subject to the following conditions:

The above copyright notice and this permission notice shall be included in all copies or substantial portions of the Software.

THE SOFTWARE IS PROVIDED "AS IS", WITHOUT WARRANTY OF ANY KIND, EXPRESS OR IMPLIED, INCLUDING BUT NOT LIMITED TO THE WARRANTIES OF MERCHANTABILITY, FITNESS FOR A PARTICULAR PURPOSE AND NONINFRINGEMENT. IN NO EVENT SHALL THE AUTHORS OR COPYRIGHT HOLDERS BE LIABLE FOR ANY CLAIM, DAMAGES OR OTHER LIABILITY, WHETHER IN AN ACTION OF CONTRACT, TORT OR OTHERWISE, ARISING FROM, OUT OF OR IN CONNECTION WITH THE SOFTWARE OR THE USE OR OTHER DEALINGS IN THE SOFTWARE.

Copyright 2000 Computing Research Labs, New Mexico State University

Copyright 2001-2015 Francesco Zappa Nardelli

Permission is hereby granted, free of charge, to any person obtaining a copy of this software and associated documentation files (the "Software"), to deal in the Software without restriction, including without limitation the rights to use, copy, modify, merge, publish, distribute, sublicense, and/or sell copies of the Software, and to permit persons to whom the Software is furnished to do so, subject to the following conditions:

The above copyright notice and this permission notice shall be included in all copies or substantial portions of the Software.

THE SOFTWARE IS PROVIDED "AS IS", WITHOUT WARRANTY OF ANY KIND, EXPRESS OR IMPLIED, INCLUDING BUT NOT LIMITED TO THE WARRANTIES OF MERCHANTABILITY, FITNESS FOR A PARTICULAR PURPOSE AND NONINFRINGEMENT. IN NO EVENT SHALL THE COMPUTING RESEARCH LAB OR NEW MEXICO STATE UNIVERSITY BE LIABLE FOR ANY CLAIM, DAMAGES OR OTHER LIABILITY, WHETHER IN AN ACTION OF CONTRACT, TORT OR OTHERWISE, ARISING FROM, OUT OF OR IN CONNECTION WITH THE SOFTWARE OR THE USE OR OTHER DEALINGS IN THE SOFTWARE.

Written by Joel Sherrill <joel@OARcorp.com>.

COPYRIGHT (c) 1989-2000.

On-Line Applications Research Corporation (OAR).

Permission to use, copy, modify, and distribute this software for any purpose without fee is hereby granted, provided that this entire notice is included in all copies of any software which is or includes a copy or modification of this software.

THIS SOFTWARE IS BEING PROVIDED "AS IS", WITHOUT ANY EXPRESS OR IMPLIED WARRANTY. IN PARTICULAR, THE AUTHOR MAKES NO REPRESENTATION OR WARRANTY OF ANY KIND

CONCERNING THE MERCHANTABILITY OF THIS SOFTWARE OR ITS FITNESS FOR ANY PARTICULAR PURPOSE.

(1) Red Hat Incorporated

Copyright (c) 1994-2009 Red Hat, Inc. All rights reserved.

This copyrighted material is made available to anyone wishing to use, modify, copy, or redistribute it subject to the terms and conditions of the BSD License. This program is distributed in the hope that it will be useful, but WITHOUT ANY WARRANTY expressed or implied, including the implied warranties of MERCHANTABILITY or FITNESS FOR A PARTICULAR PURPOSE. A copy of this license is available at <http://www.opensource.org/licenses>. Any Red Hat trademarks that are incorporated in the source code or documentation are not subject to the BSD License and may only be used or replicated with the express permission of Red Hat, Inc.

(2) University of California, Berkeley

Copyright (c) 1981-2000 The Regents of the University of California.

All rights reserved.

Redistribution and use in source and binary forms, with or without modification, are permitted provided that the following conditions are met:

- * Redistributions of source code must retain the above copyright notice, this list of conditions and the following disclaimer.
- * Redistributions in binary form must reproduce the above copyright notice, this list of conditions and the following disclaimer in the documentation and/or other materials provided with the distribution.
- * Neither the name of the University nor the names of its contributors may be used to endorse or promote products derived from this software without specific prior written permission.

THIS SOFTWARE IS PROVIDED BY THE COPYRIGHT HOLDERS AND CONTRIBUTORS "AS IS" AND ANY EXPRESS OR IMPLIED WARRANTIES, INCLUDING, BUT NOT LIMITED TO, THE IMPLIED WARRANTIES OF MERCHANTABILITY AND FITNESS FOR A PARTICULAR PURPOSE ARE DISCLAIMED. IN NO EVENT SHALL THE COPYRIGHT OWNER OR CONTRIBUTORS BE LIABLE FOR ANY DIRECT, INDIRECT, INCIDENTAL, SPECIAL, EXEMPLARY, OR CONSEQUENTIAL DAMAGES (INCLUDING, BUT NOT LIMITED TO, PROCUREMENT OF SUBSTITUTE GOODS OR SERVICES; LOSS OF USE, DATA, OR PROFITS; OR BUSINESS INTERRUPTION) HOWEVER CAUSED AND ON ANY THEORY OF LIABILITY, WHETHER IN CONTRACT, STRICT LIABILITY, OR TORT (INCLUDING NEGLIGENCE OR OTHERWISE) ARISING IN ANY WAY OUT OF THE USE OF THIS SOFTWARE, EVEN IF ADVISED OF THE POSSIBILITY OF SUCH DAMAGE.

The FreeType Project LICENSE

2006-Jan-27

Copyright 1996-2002, 2006 by

David Turner, Robert Wilhelm, and Werner Lemberg

Introduction

=====

The FreeType Project is distributed in several archive packages; some of them may contain, in addition to the FreeType font engine, various tools and contributions which rely on, or relate to, the FreeType Project.

This license applies to all files found in such packages, and which do not fall under their own explicit license. The license affects thus the FreeType font engine, the test programs, documentation and makefiles, at the very least.

This license was inspired by the BSD, Artistic, and IJG (Independent JPEG Group) licenses, which all encourage inclusion and use of free software in commercial and freeware products alike. As a consequence, its main points are that:

- o We don't promise that this software works. However, we will be interested in any kind of bug reports. ('as is' distribution)
- o You can use this software for whatever you want, in parts or full form, without having to pay us. ('royalty-free' usage)
- o You may not pretend that you wrote this software. If you use it, or only parts of it, in a program, you must acknowledge somewhere in your documentation that you have used the FreeType code. ('credits')

We specifically permit and encourage the inclusion of this software, with or without modifications, in commercial products.

We disclaim all warranties covering The FreeType Project and assume no liability related to The FreeType Project.

Finally, many people asked us for a preferred form for a credit/disclaimer to use in compliance with this license. We thus encourage you to use the following text:

Portions of this software are copyright © <year> The FreeType Project (www.freetype.org). All rights reserved.

Please replace <year> with the value from the FreeType version you actually use.

Legal Terms

=====

0. Definitions

Throughout this license, the terms 'package', 'FreeType Project', and 'FreeType archive' refer to the set of files originally distributed by the authors (David Turner, Robert Wilhelm, and Werner Lemberg) as the 'FreeType Project', be they named as alpha, beta or final release.

'You' refers to the licensee, or person using the project, where 'using' is a generic term including compiling the project's source code as well as linking it to form a 'program' or 'executable'.

This program is referred to as 'a program using the FreeType engine'.

This license applies to all files distributed in the original FreeType Project, including all source code, binaries and documentation, unless otherwise stated in the file in its original, unmodified form as distributed in the original archive.

If you are unsure whether or not a particular file is covered by this license, you must contact us to verify this.

The FreeType Project is copyright (C) 1996-2000 by David Turner, Robert Wilhelm, and Werner Lemberg. All rights reserved except as specified below.

1. No Warranty

THE FREETYPE PROJECT IS PROVIDED 'AS IS' WITHOUT WARRANTY OF ANY KIND, EITHER EXPRESS OR IMPLIED, INCLUDING, BUT NOT LIMITED TO, WARRANTIES OF MERCHANTABILITY AND FITNESS FOR A PARTICULAR PURPOSE. IN NO EVENT WILL ANY OF THE AUTHORS OR COPYRIGHT HOLDERS BE LIABLE FOR ANY DAMAGES CAUSED BY THE USE OR THE INABILITY TO USE, OF THE FREETYPE PROJECT.

2. Redistribution

This license grants a worldwide, royalty-free, perpetual and irrevocable right and license to use, execute, perform, compile, display, copy, create derivative works of, distribute and sublicense the FreeType Project (in both source and object code forms) and derivative works thereof for any purpose; and to authorize others to exercise some or all of the rights granted herein, subject to the following conditions:

- o Redistribution of source code must retain this license file ('FTL.TXT') unaltered; any additions, deletions or changes to the original files must be clearly indicated in accompanying documentation. The copyright notices of the unaltered, original files must be preserved in all copies of source files.
- o Redistribution in binary form must provide a disclaimer that states that the software is based in part of the work of the FreeType Team, in the distribution documentation. We also encourage you to put an URL to the FreeType web page in your documentation, though this isn't mandatory.

These conditions apply to any software derived from or based on the FreeType Project, not just the unmodified files. If you use our work, you must acknowledge us. However, no fee need be paid to us.

3. Advertising

Neither the FreeType authors and contributors nor you shall use the name of the other for commercial, advertising, or promotional purposes without specific prior written permission.

We suggest, but do not require, that you use one or more of the following phrases to refer to this software in your documentation or advertising materials: 'FreeType Project', 'FreeType Engine', 'FreeType library', or 'FreeType Distribution'.

As you have not signed this license, you are not required to accept it. However, as the FreeType Project is copyrighted material, only this license, or another one contracted with the authors, grants you the right to use, distribute, and modify it.

Therefore, by using, distributing, or modifying the FreeType Project, you indicate that you understand and accept all the terms of this license.

4. Contacts

There are two mailing lists related to FreeType:

- o freetype@nongnu.org

Discusses general use and applications of FreeType, as well as future and wanted additions to the library and distribution.

If you are looking for support, start in this list if you haven't found anything to help you in the documentation.

o freetype-devel@nongnu.org

Discusses bugs, as well as engine internals, design issues, specific licenses, porting, etc.

Our home page can be found at

<http://www.freetype.org>

--- end of FTL.TXT ---

The TWAIN Toolkit is distributed as is. The developer and distributors of the TWAIN Toolkit expressly disclaim all implied, express or statutory warranties including, without limitation, the implied warranties of merchantability, noninfringement of third party rights and fitness for a particular purpose. Neither the developers nor the distributors will be liable for damages, whether direct, indirect, special, incidental, or consequential, as a result of the reproduction, modification, distribution or other use of the TWAIN Toolkit.

JSON for Modern C++

Copyright (c) 2013-2017 Niels Lohmann

Permission is hereby granted, free of charge, to any person obtaining a copy of this software and associated documentation files (the "Software"), to deal in the Software without restriction, including without limitation the rights to use, copy, modify, merge, publish, distribute, sublicense, and/or sell copies of the Software, and to permit persons to whom the Software is furnished to do so, subject to the following conditions:

The above copyright notice and this permission notice shall be included in all copies or substantial portions of the Software.

THE SOFTWARE IS PROVIDED "AS IS", WITHOUT WARRANTY OF ANY KIND, EXPRESS OR IMPLIED, INCLUDING BUT NOT LIMITED TO THE WARRANTIES OF MERCHANTABILITY, FITNESS FOR A PARTICULAR PURPOSE AND NONINFRINGEMENT. IN NO EVENT SHALL THE AUTHORS OR COPYRIGHT HOLDERS BE LIABLE FOR ANY CLAIM, DAMAGES OR OTHER LIABILITY, WHETHER IN AN ACTION OF CONTRACT, TORT OR OTHERWISE, ARISING FROM, OUT OF OR IN CONNECTION WITH THE SOFTWARE OR THE USE OR OTHER DEALINGS IN THE SOFTWARE.

Copyright (c) 2011 - 2015 ARM LIMITED

All rights reserved.

Redistribution and use in source and binary forms, with or without modification, are permitted provided that the following conditions are met:

- Redistributions of source code must retain the above copyright notice, this list of conditions and the following disclaimer.
- Redistributions in binary form must reproduce the above copyright notice, this list of conditions and the following disclaimer in the documentation and/or other materials provided with the distribution.
- Neither the name of ARM nor the names of its contributors may be used to endorse or promote products derived from this software without specific prior written permission.

THIS SOFTWARE IS PROVIDED BY THE COPYRIGHT HOLDERS AND CONTRIBUTORS "AS IS" AND ANY EXPRESS OR IMPLIED WARRANTIES, INCLUDING, BUT NOT LIMITED TO, THE IMPLIED WARRANTIES OF MERCHANTABILITY AND FITNESS FOR A PARTICULAR PURPOSE ARE DISCLAIMED. IN NO EVENT SHALL COPYRIGHT HOLDERS AND CONTRIBUTORS BE LIABLE FOR ANY DIRECT, INDIRECT, INCIDENTAL, SPECIAL, EXEMPLARY, OR CONSEQUENTIAL DAMAGES (INCLUDING, BUT NOT LIMITED TO, PROCUREMENT OF SUBSTITUTE GOODS OR SERVICES; LOSS OF USE, DATA, OR PROFITS; OR BUSINESS INTERRUPTION) HOWEVER CAUSED AND ON ANY THEORY OF LIABILITY, WHETHER IN CONTRACT, STRICT LIABILITY, OR TORT (INCLUDING NEGLIGENCE OR OTHERWISE) ARISING IN ANY WAY OUT OF THE USE OF THIS SOFTWARE, EVEN IF ADVISED OF THE POSSIBILITY OF SUCH DAMAGE.

The following applies only to products supporting Wi-Fi.

(c) 2009-2013 by Jeff Mott. All rights reserved.

Redistribution and use in source and binary forms, with or without modification, are permitted provided that the following conditions are met:

- * Redistributions of source code must retain the above copyright notice, this list of conditions, and the following disclaimer.
- * Redistributions in binary form must reproduce the above copyright notice, this list of conditions, and the following disclaimer in the documentation or other materials provided with the distribution.
- * Neither the name CryptoJS nor the names of its contributors may be used to endorse or promote products derived from this software without specific prior written permission.

THIS SOFTWARE IS PROVIDED BY THE COPYRIGHT HOLDERS AND CONTRIBUTORS "AS IS," AND ANY EXPRESS OR IMPLIED WARRANTIES, INCLUDING, BUT NOT LIMITED TO, THE IMPLIED WARRANTIES OF MERCHANTABILITY AND FITNESS FOR A PARTICULAR PURPOSE, ARE DISCLAIMED. IN NO EVENT SHALL THE COPYRIGHT HOLDER OR CONTRIBUTORS BE LIABLE FOR ANY DIRECT, INDIRECT, INCIDENTAL, SPECIAL, EXEMPLARY, OR CONSEQUENTIAL DAMAGES (INCLUDING, BUT NOT LIMITED TO, PROCUREMENT OF SUBSTITUTE GOODS OR SERVICES; LOSS OF USE, DATA, OR PROFITS; OR BUSINESS INTERRUPTION) HOWEVER CAUSED AND ON ANY THEORY OF LIABILITY, WHETHER IN CONTRACT, STRICT LIABILITY, OR TORT (INCLUDING NEGLIGENCE OR OTHERWISE) ARISING IN ANY WAY OUT OF THE USE OF THIS SOFTWARE, EVEN IF ADVISED OF THE POSSIBILITY OF SUCH DAMAGE.

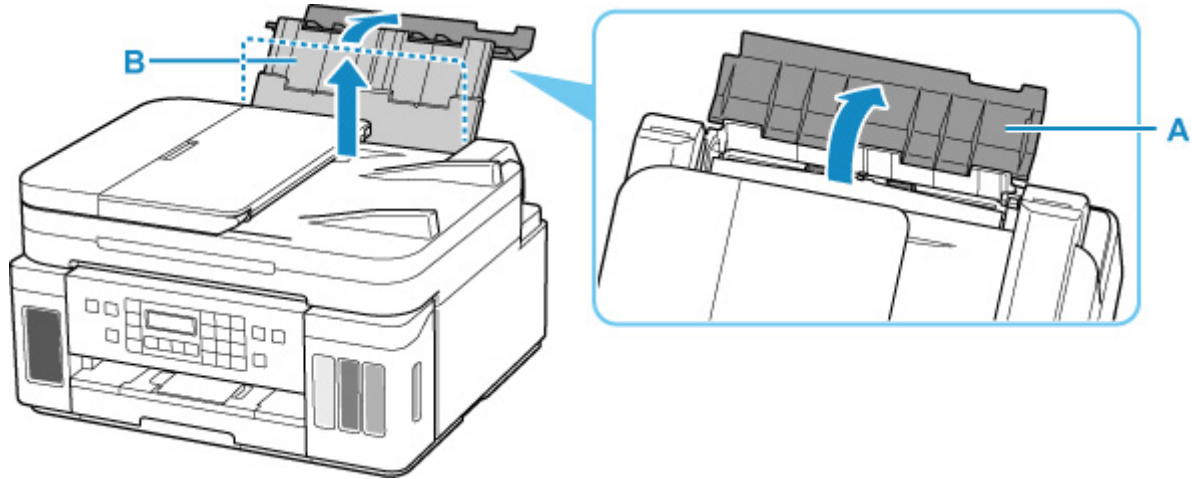
Basic Operation

- ▶ **Printing Photos from a Computer**
- ▶ **Printing Photos from a Smartphone/Tablet**
- ▶ **Copying**
- ▶ **Faxing**

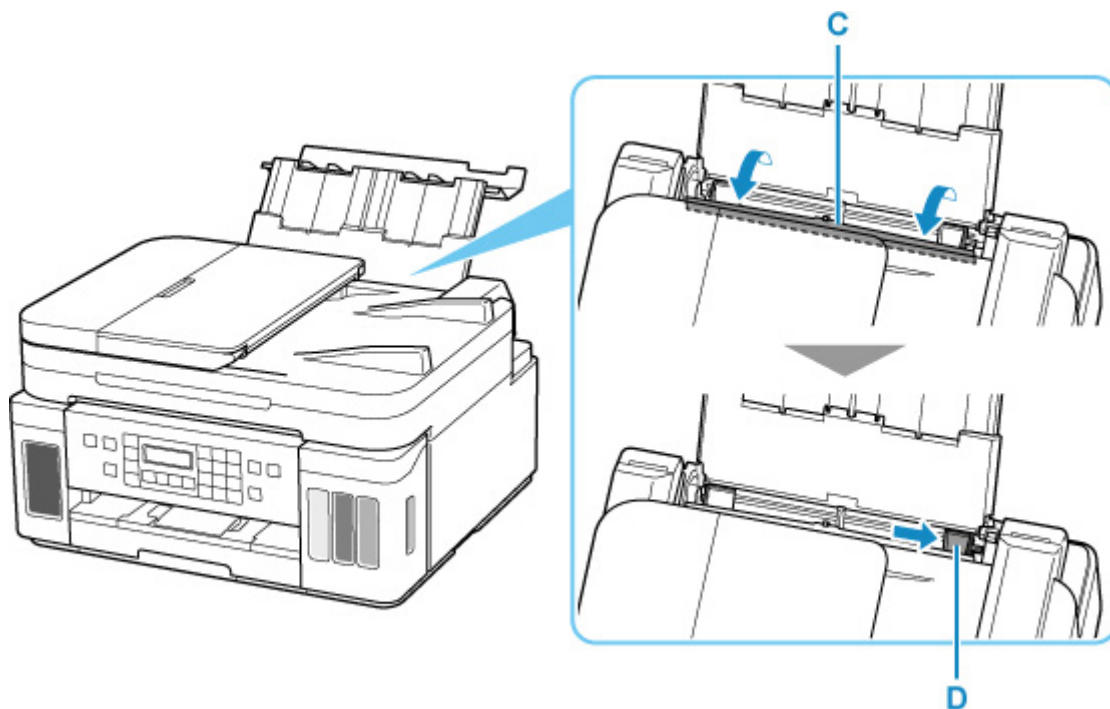
Printing Photos from a Computer

This section describes how to print photos with Easy-PhotoPrint Editor.

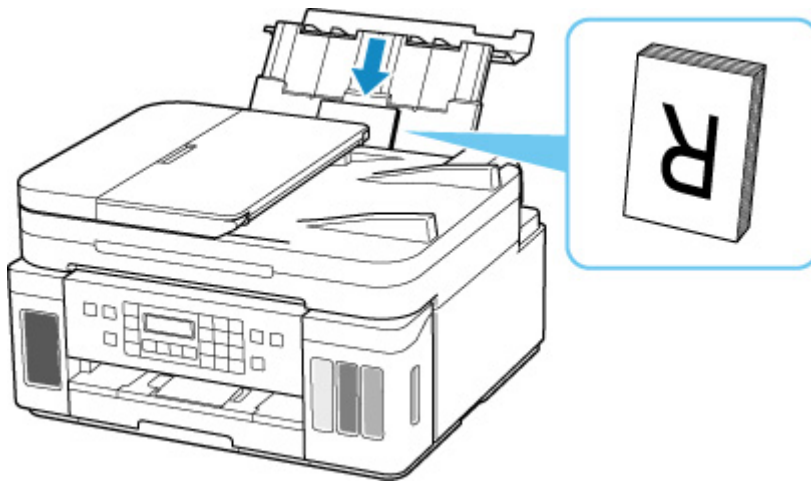
1. Open rear tray cover (A). Pull straight up and fold back paper support (B).



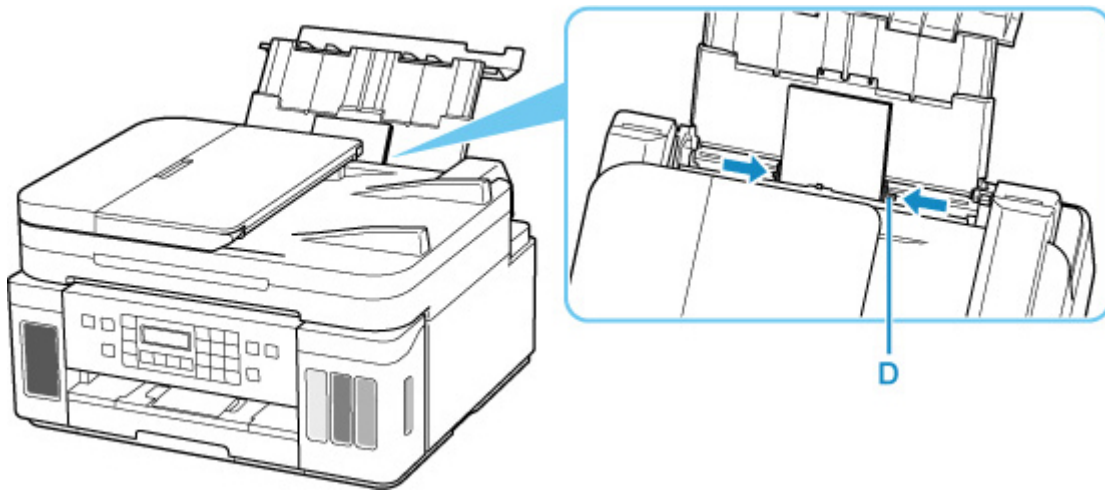
2. Open the feed slot cover (C).
3. Slide right paper guide (D) to open both paper guides.



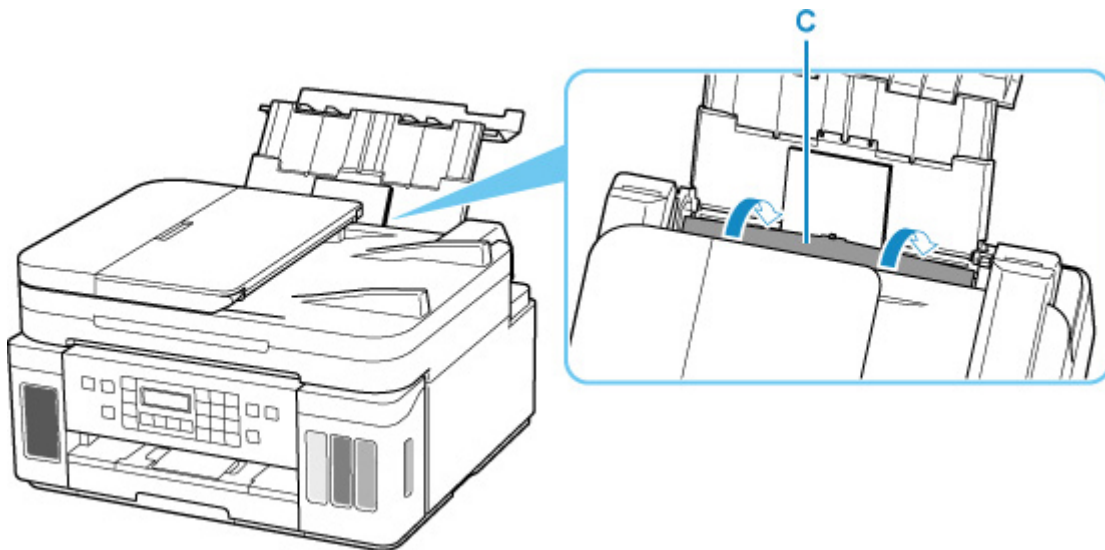
4. Load photo paper in portrait orientation WITH PRINT SIDE FACING UP.



5. Slide right paper guide (D) to align with both sides of paper stack.



6. Close feed slot cover (C) gently.



After closing the feed slot cover, the paper information registration screen for the rear tray appears on the LCD.

7. Press the **OK** button.

Save the rear tray paper
[OK]Next

8. Use the ◀ ▶ button to select the size of the loaded paper on the rear tray, then press the **OK** button.

Size: ◀ KG/4"x6" ▶
Type: *Plain paper

▶▶▶ **Note**

- The * (asterisk) on the LCD indicates the current setting.

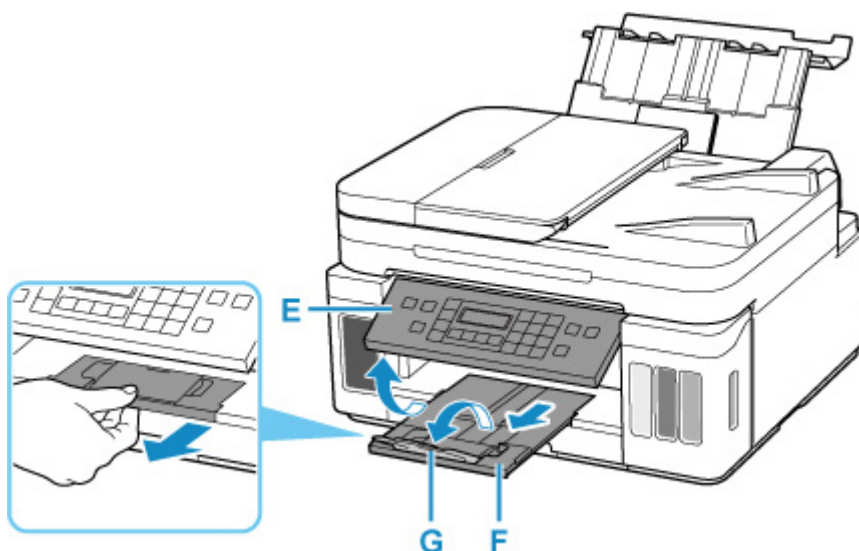
9. Use the ◀ ▶ button to select the type of the loaded paper on the rear tray, then press the **OK** button.

Size: KG/4"x6"
Type: ◀ PlusGlossyII ▶

Follow the instructions of any messages displayed to register the paper information.

10. Open operation panel (E), pull out paper output tray (F), and then open output tray extension (G).

Be sure to open the operation panel before printing. If the operation panel is close, the printer does not start printing.



11. Start Easy-PhotoPrint Editor.

For Windows:

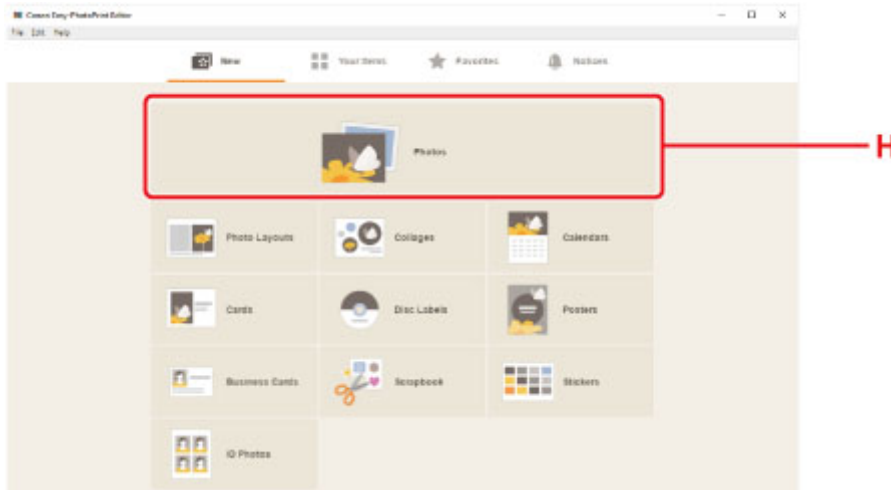
The procedure below is for a computer running the Windows 10 operating system.

From the **Start** menu, select **(All apps >) Canon Utilities > Easy-PhotoPrint Editor**.

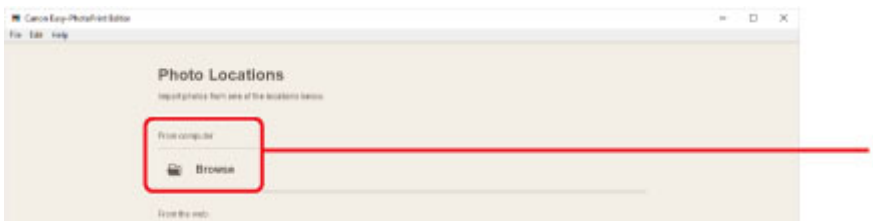
For macOS:

From the **Go** menu in **Finder**, select **Application** and double-click the **Canon Utilities** folder, the **Easy-PhotoPrint Editor** folder, and then the **Easy-PhotoPrint Editor** icon.

12. Click Photos icon (H).



13. Click Browse (I) in Computer: and select folder with photos you want to print.



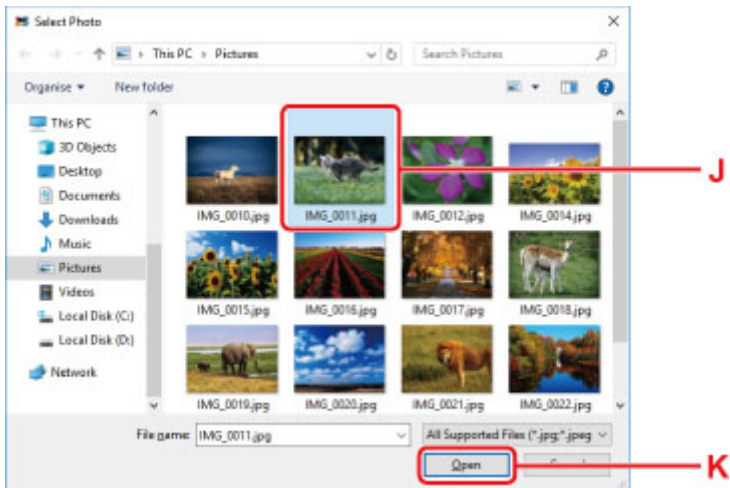
14. Click photos (J) you want to print and select Open (K).

For Windows:

To select two or more photos at a time, click photos while pressing the Ctrl key.

For macOS:

To select two or more photos at a time, click photos while pressing the command key.



15. Specify number of copies and other options under **Print Settings (L).**

For Windows:

Specify the number of copies, your model name, the paper size, and other options.

For macOS:

Specify the number of copies, the paper size, and other options.

▶▶▶ Note

- Selecting **Same No. of each photo** enables you to specify the number of copies for all photos with a single setting.
- Selecting **Same No. of each photo** disables the number-of-copies setting specified for each photo. When unchecked, the previous settings for each copy are re-enabled. for specifying the number of copies is also re-enabled.

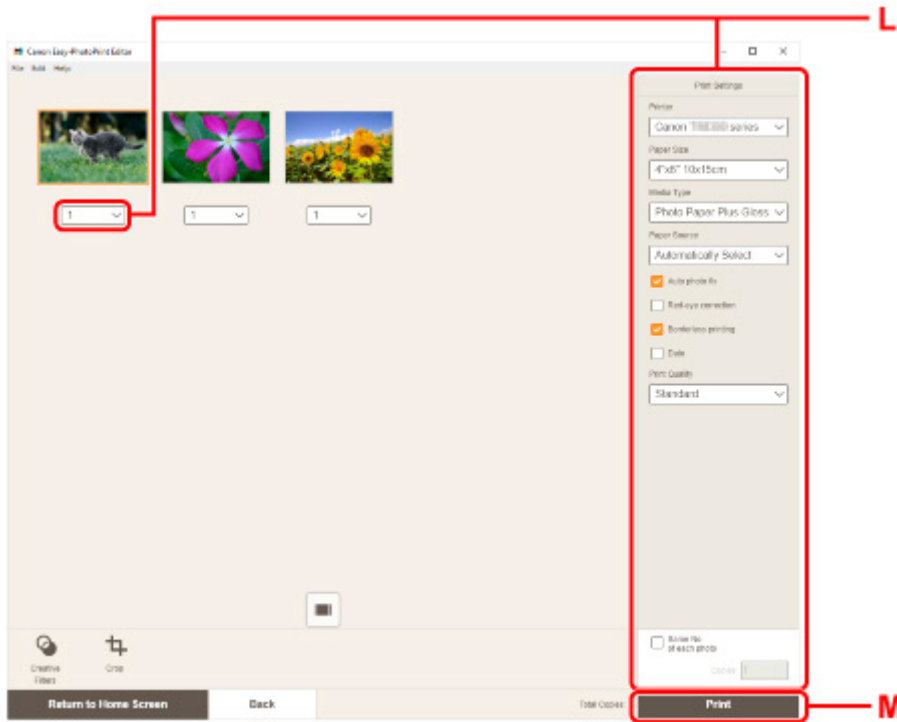
16. Start printing.

For Windows:

Click **Print** (M).

For macOS:

Click **Next**. When the Print dialog appears, specify your model name, paper, and other options, and then click **Print**.



▶▶▶ Note

- Easy-PhotoPrint Editor lets you easily create and print original collages, cards, or calendars using your favorite photos.

➔ [Easy-PhotoPrint Editor Guide](#)

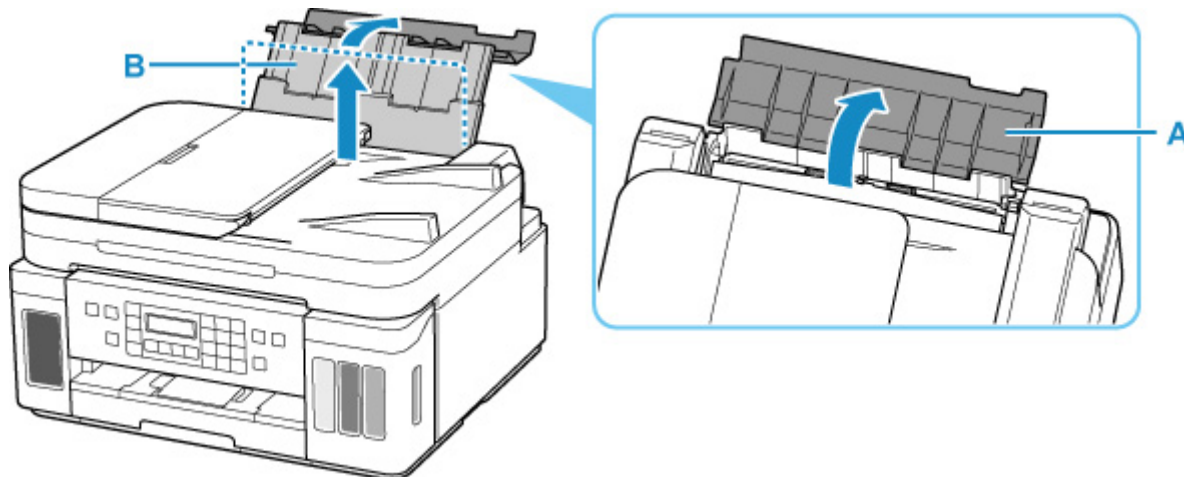
Printing Photos from a Smartphone/Tablet

This section describes how to print photos with Canon PRINT Inkjet/SELPHY.

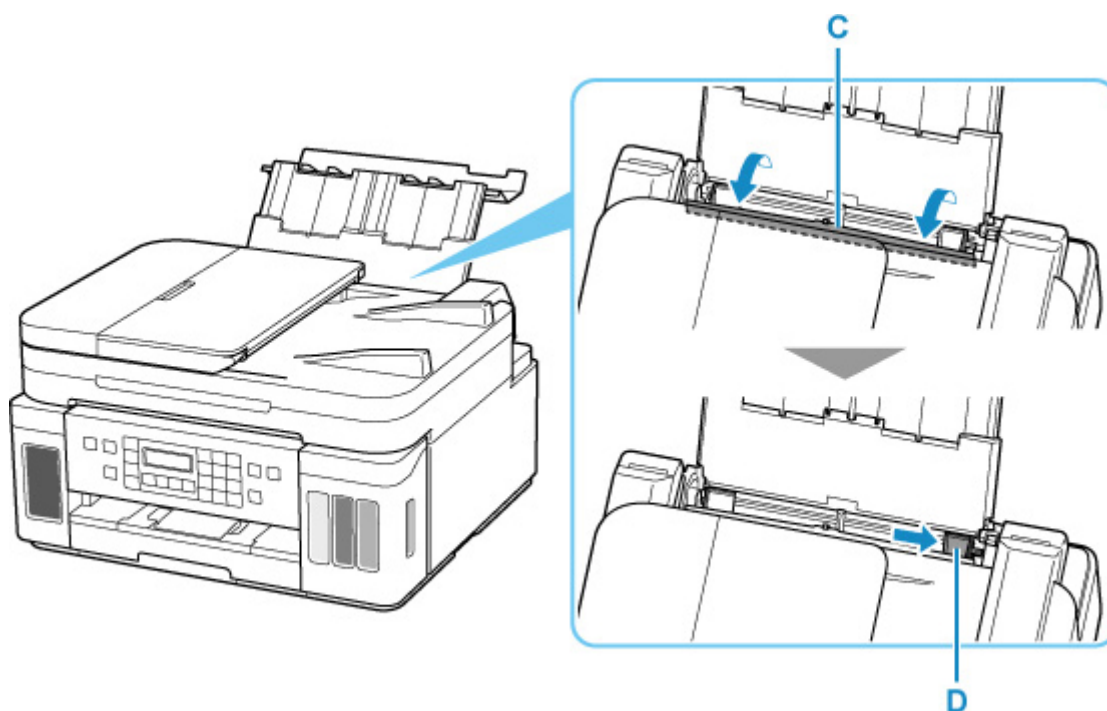
For details on how to download Canon PRINT Inkjet/SELPHY, see below.

➔ Print Photos from Your Smartphone

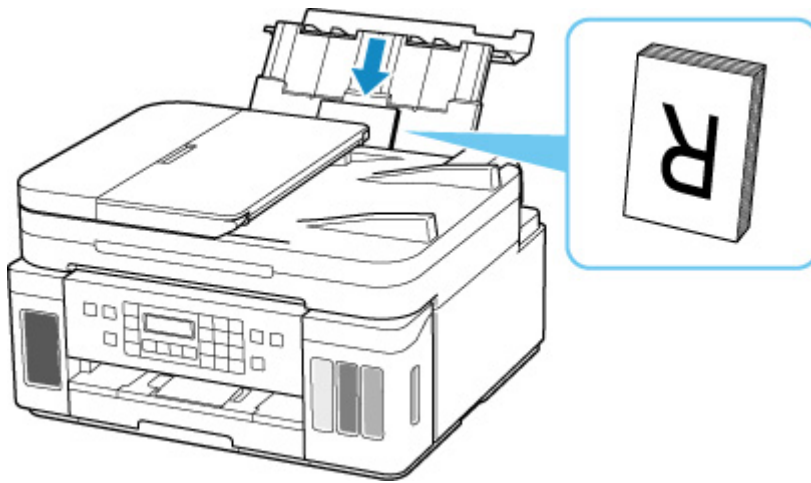
1. Open rear tray cover (A). Pull straight up and fold back paper support (B).



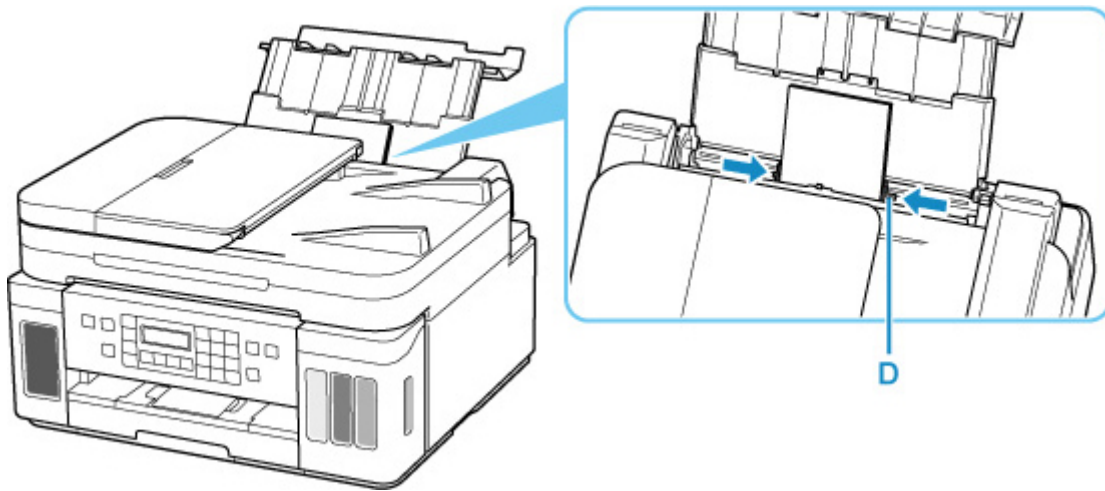
2. Open the feed slot cover (C).
3. Slide right paper guide (D) to open both paper guides.



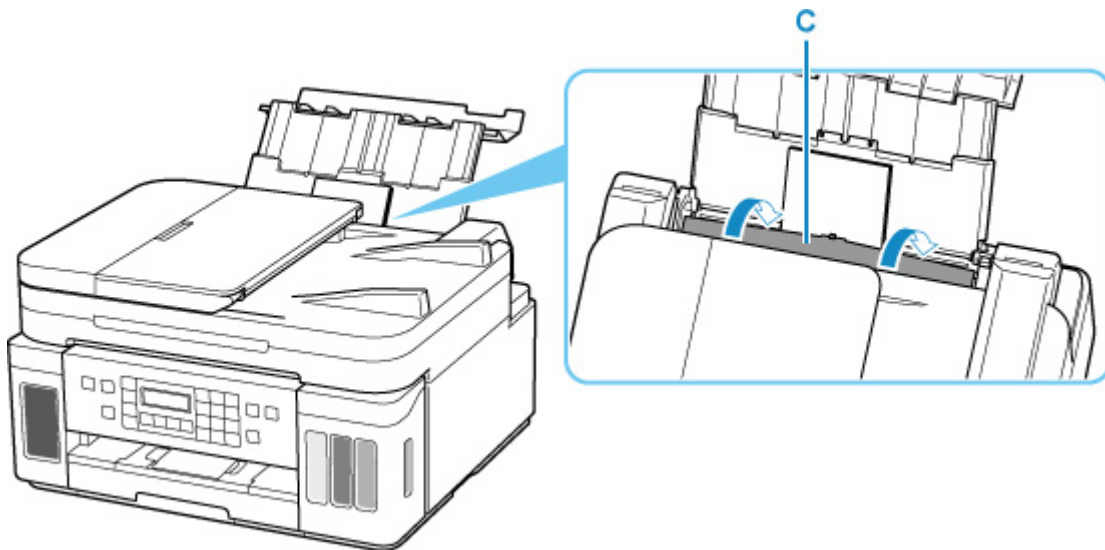
4. Load photo paper in portrait orientation WITH PRINT SIDE FACING UP.



5. Slide right paper guide (D) to align with both sides of paper stack.



6. Close feed slot cover (C) gently.



After closing the feed slot cover, the paper information registration screen for the rear tray appears on the LCD.

7. Press the **OK** button.

Save the rear tray paper
[OK]Next

8. Use the ◀ ▶ button to select the size of the loaded paper on the rear tray, then press the **OK** button.

Size: ◀ **KG/4"x6"** ▶
Type: *Plain paper

▶▶▶ **Note**

- The * (asterisk) on the LCD indicates the current setting.

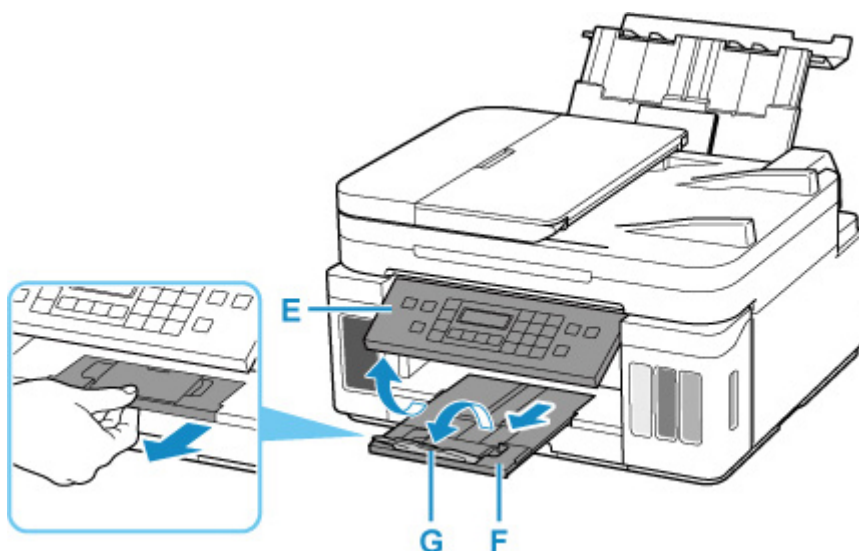
9. Use the ◀ ▶ button to select the type of the loaded paper on the rear tray, then press the **OK** button.

Size: KG/4"x6"
Type: ◀ **PlusGlossyII** ▶

Follow the instructions of any messages displayed to register the paper information.

10. Open operation panel (E), pull out paper output tray (F), and then open output tray extension (G).

Be sure to open the operation panel before printing. If the operation panel is close, the printer does not start printing.



11. Start  (Canon PRINT Inkjet/SELPHY) from your smartphone/tablet.

12. Select **Photo Print** on Canon PRINT Inkjet/SELPHY.

The list of photos saved on your smartphone/tablet is displayed.

13. Select a photo.

You can also select multiple photos at once.

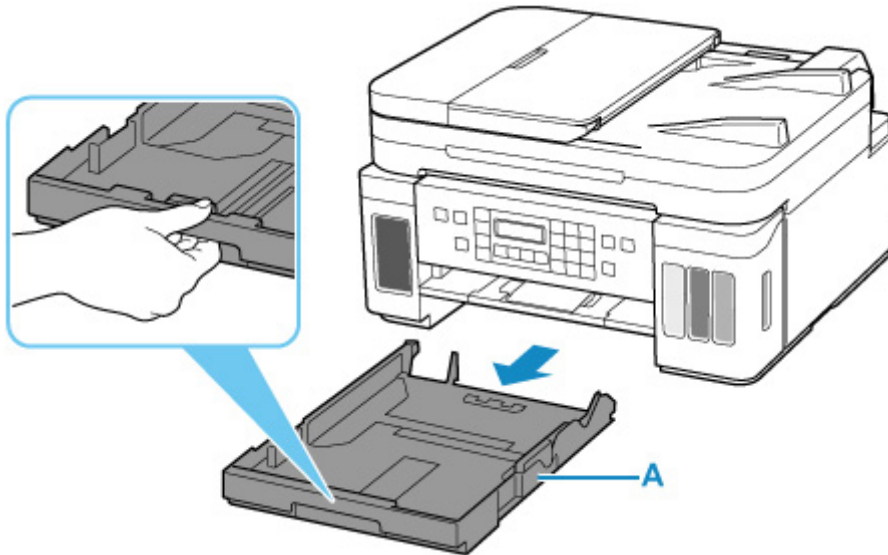
14. Specify the number of copies, paper size, etc.

15. Start printing.

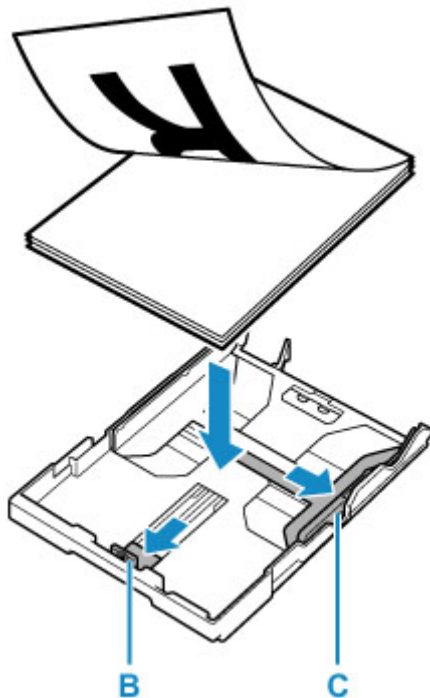
Copying

This section describes how to load originals and copy them to plain paper loaded in the cassette.

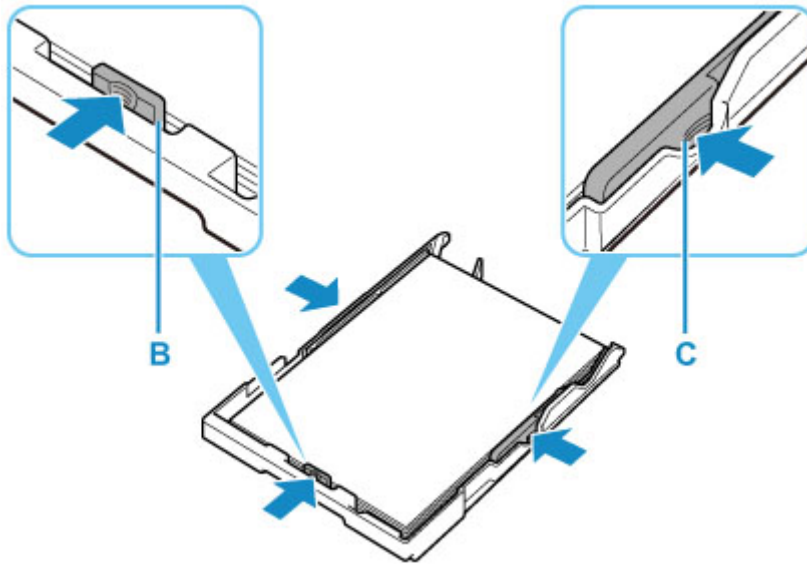
1. Pull out the cassette (A) from the printer.



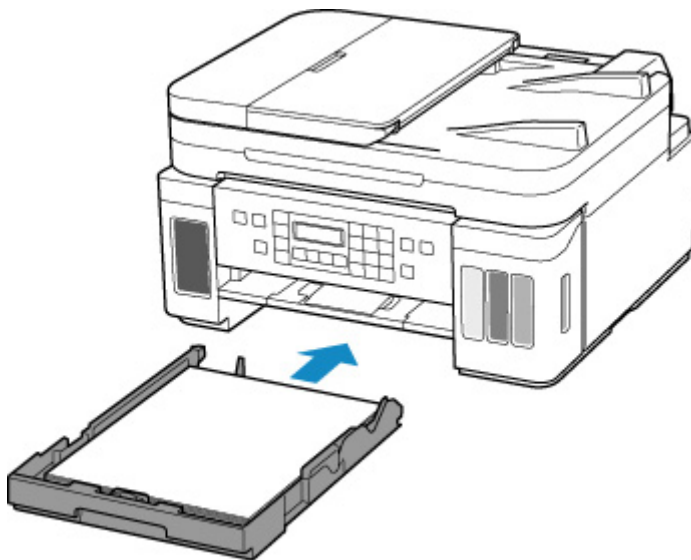
2. Slide paper guides (B) in front and (C) on right to open guides.
3. Load plain paper in portrait orientation WITH PRINT SIDE FACING DOWN.



4. Align paper guides (B) in front and (C) on right with paper length and width.



5. Insert cassette into printer.



After inserting the cassette into the printer, the paper information registration screen for the cassette appears on the LCD.

6. Press the **OK** button.

Save the cassette paper
[OK]Next

7. Use the ◀ ▶ button to select the size of the loaded paper in the cassette, then press the **OK** button.

Size: ◀ *A4 ▶
Type: *Plain paper

►►► **Note**

- The * (asterisk) on the LCD indicates the current setting.

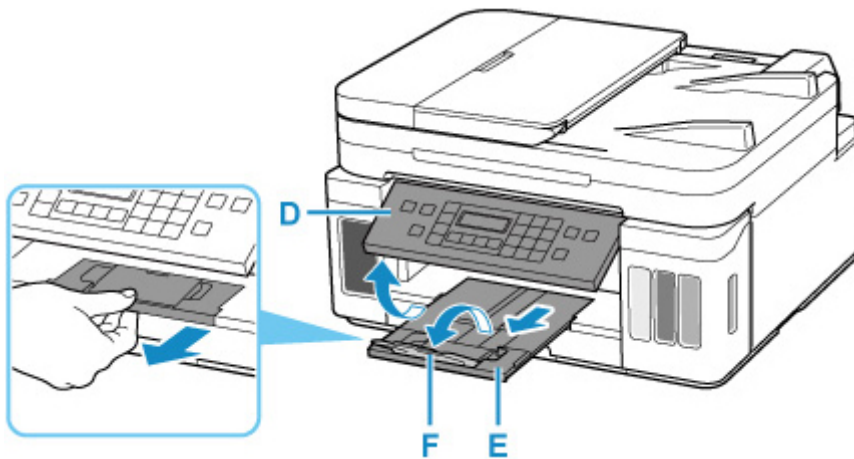
8. Check media type and press **OK** button.

Size: *A4
Type: *Plain paper

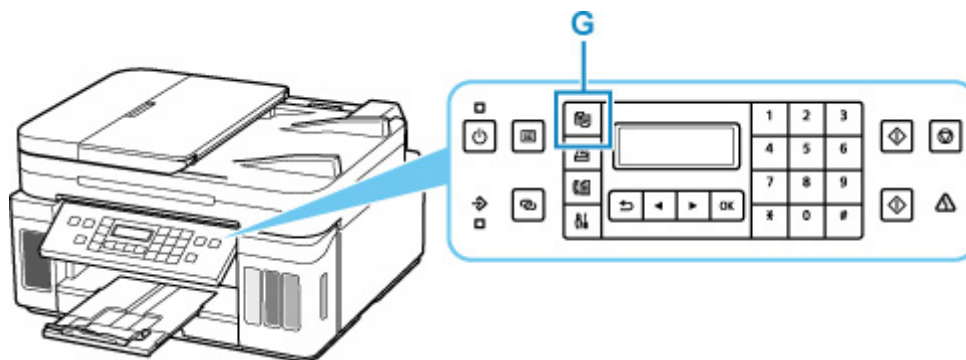
Follow the instructions of any messages displayed to register the paper information.

9. Open operation panel (D), pull out paper output tray (E), and then open output tray extension (F).

Be sure to open the operation panel before printing. If the operation panel is close, the printer does not start printing.

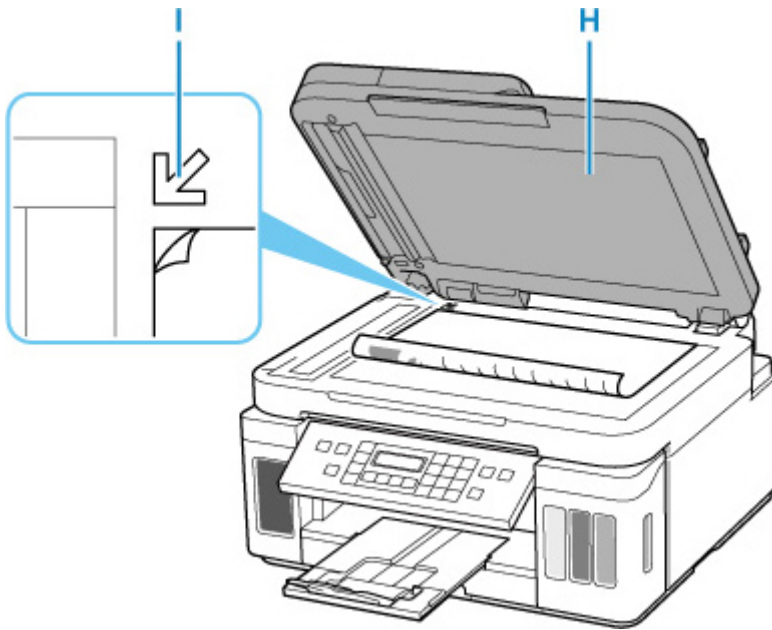


10. Press the **COPY** button (G).



11. Open document cover (H).

12. Load original WITH SIDE TO COPY FACING DOWN and align it with alignment mark (I).



►►► **Note**

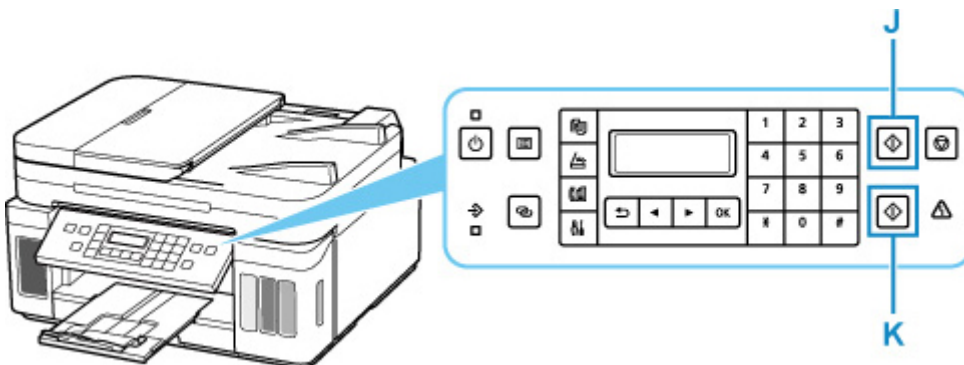
- To copy two or more documents continuously, load them in the ADF (Auto Document Feeder).



➔ [Loading Documents in the ADF \(Auto Document Feeder\)](#)

13. Close the document cover gently.

14. Check paper settings and press **Black** button (J) or **Color** button (K).



▶▶ Important

- Do not open the document cover until copying is complete.

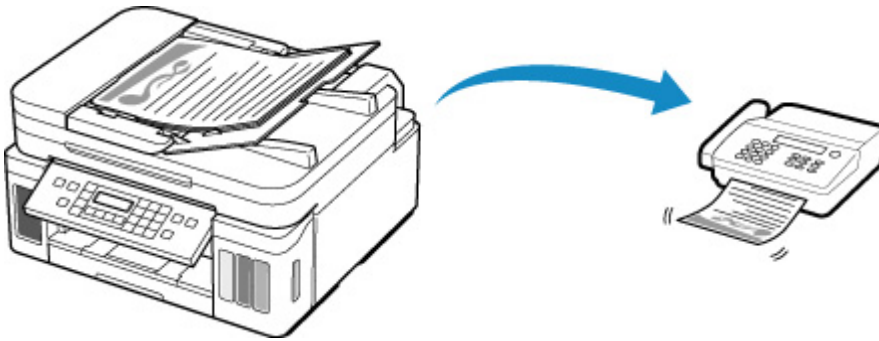
▶▶ Note

- Your printer is equipped with many other convenient copy features.

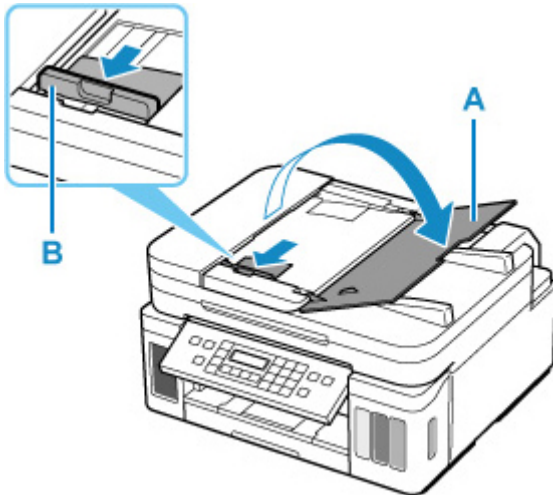
➔ [Copying](#)

Faxing

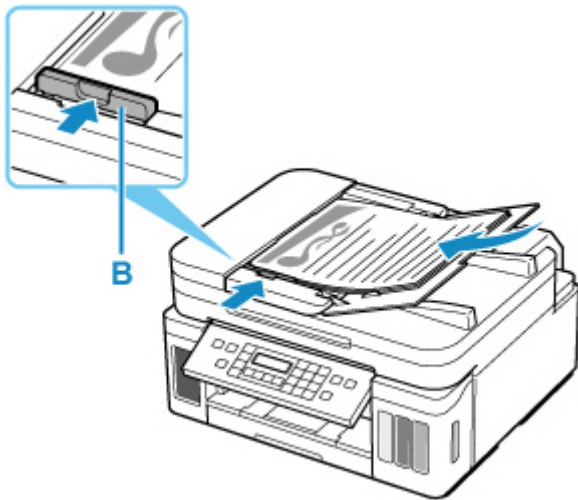
Fax multiple documents in black and white as follows.



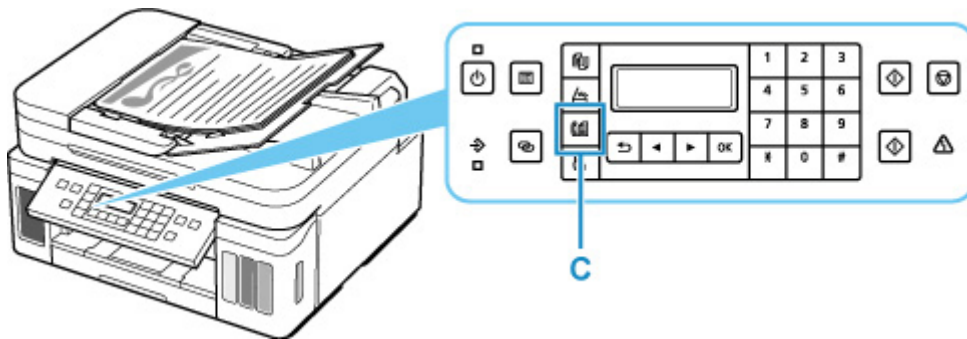
1. Open the document tray (A).
2. Slide the document guide (B) all the way out.



3. Insert the document WITH THE SIDE TO SCAN FACING UP.
4. Align document guide (B) with document width.

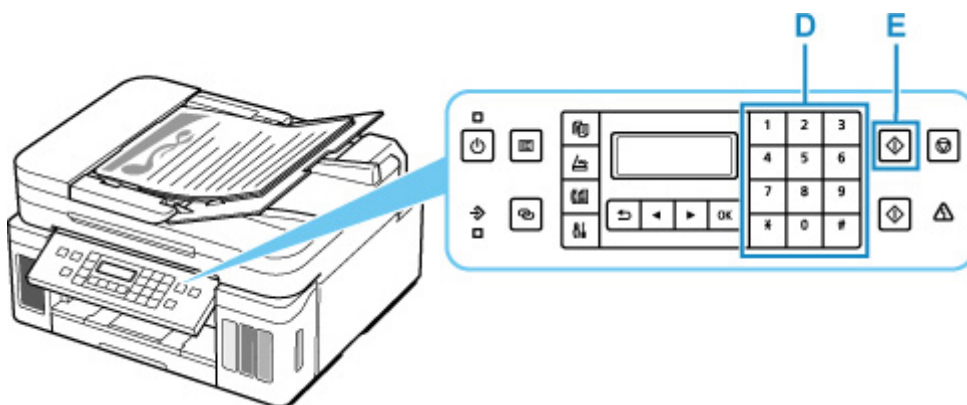


5. Press the **FAX** button (C).



6. Use the Numeric buttons (D) to enter the fax number.

7. Press the **Black** button (E).



▶▶▶ Note

- Many other convenient faxing features are available.

➔ [Faxing](#)

Network

Available Connection Methods


The following connection methods are available on the printer.

• Wireless Connection

Connect the printer and devices (e.g. computer/smartphone/tablet) using a wireless router.

If you have a wireless router, we recommend you use one for wireless connection.



- Connection methods vary depending on the wireless router type.
- You can change network settings such as the network name (SSID) and security protocol on the printer.
- When the connection between a device and a wireless router is completed and  (Wi-Fi icon) is displayed in the device's screen, you can connect the device to the printer using the wireless router.

• Wireless Direct

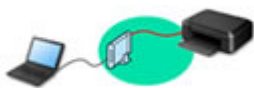
Connect the printer and devices (e.g. computer/smartphone/tablet) without using a wireless router.



- While you are using the printer with Wireless Direct, Internet connection from the printer becomes unavailable. In that case, web services for the printer cannot be used.
- If you connect a device connected to the Internet via a wireless router to the printer that is in the Wireless Direct, the connection between the device and wireless router will be disabled. In that case, the connection of the device may switch to a mobile data connection automatically depending on your device. Transmission fees for connecting to the Internet using a mobile data connection apply.
- In the Wireless Direct, you can connect up to five devices at the same time. If you try to connect a sixth device while five devices are already connected, an error will appear. If an error appears, disconnect a device you do not use and configure settings again.
- Network settings such as the network name (SSID) and security protocol are specified automatically.

• Wired Connection

Connect the printer and hub/router using a LAN cable. Prepare a LAN cable.



►► Note

- You can connect the printer and computer using a USB cable (USB connection). Prepare a USB cable. For details, see [Connects to Another Computer via LAN/Changes from USB to LAN Connection](#).

Network Connection Settings/Setup

Perform connection setup for the printer and computer/smartphone/tablet.

For more on setup procedure, click here.

Changing Network Settings

See below for changing connection settings for the printer and computer/smartphone/tablet.

- To change network connection method:
 - ➔ [Reconfiguration Method of LAN Connection/Reconfiguration Method of Wi-Fi Connection](#)
 - ➔ Changing the Connection Mode
- To add computer/smartphone/tablet to the printer:
 - ➔ [Connects to Another Computer via LAN/Changes from USB to LAN Connection](#)
- To use Wireless Direct temporarily:
 - ➔ [Printing/Scanning with Wireless Direct](#)

IJ Network Device Setup Utility

IJ Network Device Setup Utility checks or diagnoses the settings of the printer and those of computer and restores the status of them if anything is wrong with network connection. Select either link below to download IJ Network Device Setup Utility.

- ➔ Checking Printer Connection Status Using IJ Network Device Setup Utility
- Performing/Changing Network Settings (Windows)

For Windows, you can perform network settings using IJ Network Device Setup Utility.

 - ➔ [IJ Network Device Setup Utility \(Windows\)](#)
- Diagnosing and Repairing Network Settings (Windows/macOS)

You can diagnose or repair network settings using IJ Network Device Setup Utility.

 - **For Windows:**
 - ➔ [IJ Network Device Setup Utility \(Windows\)](#)
 - **For macOS:**
 - ➔ [IJ Network Device Setup Utility \(macOS\)](#)

Network Connection Tips

See below for tips on using the printer via network connection.

- ➔ [Network Connection Tips](#)
- ➔ Handling Printer Configuration using the Web Browser
- ➔ Countermeasures against Unauthorized Access

Troubleshooting

See [Network Settings and Common Problems](#) for troubleshooting on network connection.

Notice/Restriction

See below for details.

- Restrictions on network settings:
 - ➔ [Restrictions](#)
- Notices when printing using web service:
 - ➔ Notice for Web Service Printing

Restrictions

When connecting another device while a device (such as a computer) is already connected to the printer, connect it using the same connection method as the connected device.

If you connect using a different connection method, the connection to the device in use will be disabled.

Connection Using a Wired Network cannot be performed on printers that do not support a wired connection.

Connect via wireless router

- You cannot establish a printer with wireless and wired connections at the same time.
- Make sure your device and the wireless router are connected. For details on checking these settings, see the manual supplied with the wireless router or contact its manufacturer.
As for a device already connected to the printer without using a wireless router, reconnect it via a wireless router.
- Configuration, router functions, setup procedures and security settings of wireless routers vary depending on the system environment. For details, see the manual for your wireless router or contact its manufacturer.
- This printer does not support IEEE802.11ac, IEEE802.11a, or IEEE802.11n (5 GHz). Check if your device supports IEEE802.11n (2.4 GHz), IEEE802.11g or IEEE802.11b.
- If your device is set to the "IEEE802.11n only" mode, WEP or TKIP cannot be used as a security protocol. Change the security protocol for your device to something other than WEP and TKIP or change the setting to something other than "IEEE802.11n only."

The connection between your device and the wireless router will be temporarily disabled while the setting is changed. Do not proceed to the next screen of this guide until setup is complete.

- For office use, consult your network administrator.
- Note that if you connect to a network with no security protection, your personal information could be disclosed to a third party.

Wireless Direct

»» Important

- If a device is connected to the Internet via a wireless router, and you then connect it to a printer in Wireless Direct mode, the existing connection between the device and wireless router will be disabled. In that case, the connection of the device may switch to a mobile data connection automatically depending on your device. When you connect to the Internet using a mobile data connection, charges may apply depending on your contract.
 - When you connect a device and the printer using Wireless Direct, the connection information will be saved to Wi-Fi settings. The device may be connected to the printer automatically even after disconnecting it or connecting it to another wireless router.
 - To prevent automatic connection to the printer in Wireless Direct mode, change the connection mode after using the printer, or set not to connect automatically in the Wi-Fi settings of the device.For details on changing the settings of your device, see the manual supplied with the device or contact its manufacturer.

- If you connect a device and the printer using Wireless Direct, Internet connection may become unavailable depending on your environment. In that case, web services for the printer cannot be used.
- In Wireless Direct mode, you can connect up to five devices at the same time. If you try to connect a sixth device while five devices are already connected, an error will appear.
If an error appears, disconnect a device that does not use the printer, then configure settings again.
- Devices connected to the printer using Wireless Direct cannot communicate with each other.
- Firmware updates for the printer are not available while using Wireless Direct.
- When a device has been connected to the printer without using a wireless router and you want to set it up again using the same connection method, disconnect it first. Disable the connection between the device and printer in the Wi-Fi setting screen.

Connection Using a Wired Network

- You cannot establish a printer with wireless and wired connections at the same time.
- When using a router, connect the printer and a device to the LAN side (same network segment).

Network Connection Tips

- **Default Network Settings**
- **Detect Same Printer Name**
- **Connects to Another Computer via LAN/Changes from USB to LAN Connection**
- **Printing Network Settings**
- **Reconfiguration Method of LAN Connection/Reconfiguration Method of Wi-Fi Connection**

Default Network Settings

LAN Connection Defaults

Item	Default
Change wireless/wired LAN	Disable LAN
Network name (SSID)	BJNPSETUP
Wi-Fi security	Disable
IP address (IPv4)	Auto setup
IP address (IPv6)	Auto setup
Set printer name*	XXXXXXXXXXXX
Enable/disable IPv6	Enable
Enable/disable WSD	Enable
Timeout setting	15 minutes
Enab./disab. Bonjour	Enable
Service name	Canon G7000 series
LPR setting	Enable
RAW protocol	Enable
LLMNR	Enable
PictBridge commun. (Enable/disable)	Enable
DRX setting (Wired LAN)	Enable

("XX" represents alphanumeric characters.)

* Default value depends on printer. To check value, use operation panel.

➔ [LAN settings](#)

Wireless Direct Defaults

Item	Default
Network name (SSID) for wireless direct	DIRECT-abXX-G7000series *1
WL Direct dev. name	DIRECT-abXX-G7000series *1
Password	YYYYYYYYYYY *2
Security method	WPA2-PSK (AES)

Confirm request	Displayed
------------------------	-----------

*1 "ab" is specified at random and "XX" represents last two digits of printer's MAC address. (The value is specified when the printer is turned on for the first time.)

*2 The password is specified automatically when the printer is turned on for the first time.

Detect Same Printer Name

When the printer is detected during setup, plural printers with the same name may appear on the results screen.

Select a printer with checking the printer settings against those on detection result screen.

- **For Windows:**

Check the printer's MAC address or serial to select the correct printer from the results.

- **For macOS:**

The printer names appear with the MAC address added at the end or as the printer name specified by Bonjour.

Check identifiers such as the MAC address, the printer name specified by Bonjour, and the printer's serial number to select the printer from among those that appear.

▶▶▶ Note

- Serial number may not appear on result screen.

To check the printer's MAC address and the serial number, print out the network settings information.

➡ [Printing Network Settings](#)

▶▶▶ Note

- You can check the serial number by displaying on the LCD.

➡ [System information](#)

Connects to Another Computer via LAN/Changes from USB to LAN Connection

To connect an additional computer to the printer via LAN, or to change from USB to LAN connection, click [here](#) and perform setup.

Printing Network Settings

Use the operation panel to print the printer's current network settings.

»» Important

- The network settings printout contains important information about your network. Handle it with care.

1. [Check that printer is turned on.](#)
2. [Load three sheets of A4 or Letter-sized plain paper.](#)
3. Press **Setup** button.
The **Setup menu** screen appears.
4. Select **Device settings** and press **OK** button.
5. Select **LAN settings** and press **OK** button.
6. Select **Print LAN details** and press **OK** button.

The printer starts printing the network setting information.

The following information on the printer's network setting is printed out. (Some setting values are not displayed depending on the printer settings.)

Item Number	Item	Description	Setting
1	Product Information	Product information	–
1-1	Product Name	Product name	XXXXXXXXXX
1-2	ROM Version	ROM version	XXXXXXXXXX
1-3	Serial Number	Serial number	XXXXXXXXXX
2	Network Diagnostics	Network diagnostics	–
2-1	Diagnostic Result	Diagnostic result	XXXXXXXXXX
2-2	Result Codes	Result codes	XXXXXXXXXX
2-3	Result Code Details	Result code details	http://canon.com/ijnwt
3	Wireless LAN	Wireless LAN	Enable/Disable
3-2	Infrastructure	Infrastructure	Enable/Disable
3-2-1	Signal Strength	Signal strength	0 to 100 [%]
3-2-2	Link Quality	Link quality	0 to 100 [%]

3-2-3	Frequency	Frequency	XX (GHz)
3-2-4	MAC Address	MAC address	XX:XX:XX:XX:XX:XX
3-2-5	Connection	Connection status	Active/Inactive
3-2-6	SSID	SSID	Wireless LAN network name (SSID)
3-2-7	Channel	Channel	XX (1 to 13)
3-2-8	Encryption	Encryption method	none/WEP/TKIP/AES
3-2-9	WEP Key Length	WEP key length (bits)	Inactive/128/64
3-2-10	Authentication	Authentication method	none/auto/open/shared/WPA-PSK/WPA2-PSK
3-2-11	TCP/IPv4	TCP/IPv4	Enable/Disable
3-2-12	IP Address	IP address	XXX.XXX.XXX.XXX
3-2-13	Subnet Mask	Subnet mask	XXX.XXX.XXX.XXX
3-2-14	Default Gateway	Default gateway	XXX.XXX.XXX.XXX
3-2-15	TCP/IPv6	TCP/IPv6	Enable/Disable
3-2-16	Link Local Address	Link local address	XXXX:XXXX:XXXX:XXXX XXXX:XXXX:XXXX:XXXX
3-2-17	Link Local Prefix Length	Link local prefix length	XXX
3-2-18	Stateless Address1	Stateless address 1	XXXX:XXXX:XXXX:XXXX XXXX:XXXX:XXXX:XXXX
3-2-19	Stateless Prefix Length1	Stateless prefix length 1	XXX
3-2-20	Stateless Address2	Stateless address 2	XXXX:XXXX:XXXX:XXXX XXXX:XXXX:XXXX:XXXX
3-2-21	Stateless Prefix Length2	Stateless prefix length 2	XXX
3-2-22	Stateless Address3	Stateless address 3	XXXX:XXXX:XXXX:XXXX XXXX:XXXX:XXXX:XXXX
3-2-23	Stateless Prefix Length3	Stateless prefix length 3	XXX
3-2-24	Stateless Address4	Stateless address 4	XXXX:XXXX:XXXX:XXXX XXXX:XXXX:XXXX:XXXX
3-2-25	Stateless Prefix Length4	Stateless prefix length 4	XXX

3-2-26	Default Gateway1	Default gateway 1	XXXX:XXXX:XXXX:XXXX XXXX:XXXX:XXXX:XXXX
3-2-27	Default Gateway2	Default gateway 2	XXXX:XXXX:XXXX:XXXX XXXX:XXXX:XXXX:XXXX
3-2-28	Default Gateway3	Default gateway 3	XXXX:XXXX:XXXX:XXXX XXXX:XXXX:XXXX:XXXX
3-2-29	Default Gateway4	Default gateway 4	XXXX:XXXX:XXXX:XXXX XXXX:XXXX:XXXX:XXXX
3-2-33	IPsec	IPsec setting	Active/Inactive
3-2-34	Security Protocol	Security method	ESP/ESP & AH/AH
3-3	Wireless Direct/Access Point Mode	Operation mode for Wireless Direct	Enable/Disable
3-3-1	MAC Address	MAC address	XX:XX:XX:XX:XX:XX
3-3-2	Connection	Connection status	Active/Inactive
3-3-3	SSID	SSID	Wireless Direct network name (SSID)
3-3-4	Password	Password	Wireless Direct password (10 alphanumeric characters)
3-3-5	Channel	Channel	XX (1 to 13)
3-3-6	Encryption	Encryption method	none/WEP/TKIP/AES
3-3-7	Authentication	Authentication method	none/auto/open/shared/WPA-PSK/WPA2-PSK
3-3-8	TCP/IPv4	TCP/IPv4	Enable/Disable
3-3-9	IP Address	IP address	XXX.XXX.XXX.XXX
3-3-10	Subnet Mask	Subnet mask	XXX.XXX.XXX.XXX
3-3-11	Default Gateway	Default gateway	XXX.XXX.XXX.XXX
3-3-12	TCP/IPv6	TCP/IPv6	Enable/Disable
3-3-13	Link Local Address	Link local address	XXXX:XXXX:XXXX:XXXX XXXX:XXXX:XXXX:XXXX
3-3-14	Link Local Prefix Length	Link local prefix length	XXX
3-3-15	IPsec	IPsec setting	Active/Inactive
3-3-16	Security Protocol	Security method	–
4	Wired LAN	Wired LAN	Enable/Disable

4-1	MAC Address	MAC address	XX:XX:XX:XX:XX:XX
4-2	Connection	Wired LAN status	Active/Inactive
4-3	TCP/IPv4	TCP/IPv4	Enable/Disable
4-4	IP Address	IP address	XXX.XXX.XXX.XXX
4-5	Subnet Mask	Subnet mask	XXX.XXX.XXX.XXX
4-6	Default Gateway	Default gateway	XXX.XXX.XXX.XXX
4-7	TCP/IPv6	TCP/IPv6	Enable/Disable
4-8	Link Local Address	Link local address	XXXX:XXXX:XXXX:XXXX XXXX:XXXX:XXXX:XXXX
4-9	Link Local Prefix Length	Link local prefix length	XXX
4-10	Stateless Address1	Stateless address 1	XXXX:XXXX:XXXX:XXXX XXXX:XXXX:XXXX:XXXX
4-11	Stateless Prefix Length1	Stateless prefix length 1	XXX
4-12	Stateless Address2	Stateless address 2	XXXX:XXXX:XXXX:XXXX XXXX:XXXX:XXXX:XXXX
4-13	Stateless Prefix Length2	Stateless prefix length 2	XXX
4-14	Stateless Address3	Stateless address 3	XXXX:XXXX:XXXX:XXXX XXXX:XXXX:XXXX:XXXX
4-15	Stateless Prefix Length3	Stateless prefix length 3	XXX
4-16	Stateless Address4	Stateless address 4	XXXX:XXXX:XXXX:XXXX XXXX:XXXX:XXXX:XXXX
4-17	Stateless Prefix Length4	Stateless prefix length 4	XXX
4-18	Default Gateway1	Default gateway 1	XXXX:XXXX:XXXX:XXXX XXXX:XXXX:XXXX:XXXX
4-19	Default Gateway2	Default gateway 2	XXXX:XXXX:XXXX:XXXX XXXX:XXXX:XXXX:XXXX
4-20	Default Gateway3	Default gateway 3	XXXX:XXXX:XXXX:XXXX XXXX:XXXX:XXXX:XXXX

4-21	Default Gateway4	Default gateway 4	XXXX:XXXX:XXXX:XXXX XXXX:XXXX:XXXX:XXXX
4-25	IPsec	IPsec setting	Active/Inactive
4-26	Security Protocol	Security method	ESP/ESP & AH/AH
4-27	Wired LAN DRX	Discontinuous reception (wired LAN)	Enable/Disable
5	Other Settings	Other settings	–
5-1	Printer Name	Printer name	Printer name (Up to 15 alphanumeric characters)
5-2	Wireless Direct Dev-Name	Device name for wireless direct	Device name for wireless direct (Up to 32 alphanumeric characters)
5-4	WSD Printing	WSD printing setting	Enable/Disable
5-5	WSD Timeout	Timeout	1/5/10/15/20 [min]
5-6	LPD Printing	LPD printing setting	Enable/Disable
5-7	RAW Printing	RAW printing setting	Enable/Disable
5-9	Bonjour	Bonjour setting	Enable/Disable
5-10	Bonjour Service Name	Bonjour service name	Bonjour service name (Up to 52 alphanumeric characters)
5-11	LLMNR	LLMNR setting	Enable/Disable
5-12	SNMP	SNMP setting	Enable/Disable
5-13	PictBridge Commun.	PictBridge Communication	Enable/Disable
5-14	DNS Server	Obtain DNS server address automatically	Auto/Manual
5-15	Primary Server	Primary server address	XXX.XXX.XXX.XXX
5-16	Secondary Server	Secondary server address	XXX.XXX.XXX.XXX
5-17	Proxy Server	Proxy server setting	Enable/Disable
5-18	Proxy Address	Proxy address	XXXXXXXXXXXXXXXXXXXX
5-19	Proxy Port	Proxy port specification	1 to 65535
5-20	Cert. Fingerprt(SHA-1)	Certificate fingerprint(SHA-1)	xxxxxxxx xxxxxxxx xxxxxxxx xxxxxxxx xxxxxxxx
5-21	Cert. Fingerprt(SHA-256)	Certificate fingerprint(SHA-256)	xxxxxxxx xxxxxxxx xxxxxxxx xxxxxxxx xxxxxxxx xxxxxxxx xxxxxxxx xxxxxxxx

("XX" represents alphanumeric characters.)

Reconfiguration Method of LAN Connection/Reconfiguration Method of Wi-Fi Connection

- ➔ [Reconfiguration Method of LAN Connection](#)
- ➔ [Reconfiguration Method of Wi-Fi Connection](#)

Reconfiguration Method of LAN Connection

Follow either procedure below to change LAN connection method (wired or Wi-Fi).

- **For Windows:**

- Click here and redo setup.
- Enable Wi-Fi or wired LAN on the operation panel of the printer. After that, perform settings on the **Network Settings** screen on IJ Network Device Setup Utility.

For details, refer to Performing/Changing Wi-Fi Settings or Performing/Changing Wired LAN Connection (Ethernet Cable) Settings.

- **For macOS:**

- Click here and redo setup.

Reconfiguration Method of Wi-Fi Connection


Follow either procedure below to change Wi-Fi connection method (infrastructure or Wireless Direct).

- **For Windows:**

- Click here and redo setup.
- Perform settings on the **Network Settings** screen on IJ Network Device Setup Utility.

➤➤➤ Important

- Before you perform settings using IJ Network Device Setup Utility, turn on Easy WL connect mode on the printer following the procedure below.

1. [Check that printer is turned on.](#)
2. Press and hold  (**Wireless connect**) button for 3 seconds.
 - ➔ [LCD and Operation Panel](#)
3. Perform operations following instructions on your smartphone or tablet.
4. If message saying setup is completed appears, press **OK** button.

- **For macOS:**

Click here and redo setup.

IJ Network Device Setup Utility (macOS)

- ▶ **IJ Network Device Setup Utility**
- ▶ **Starting Up IJ Network Device Setup Utility**
- ▶ **Diagnosing and Repairing Network Settings**
- ▶ **List of Models Which Does Not Support Diagnosis and Repair Function**

IJ Network Device Setup Utility

If anything is wrong with connection, IJ Network Device Setup Utility diagnoses the settings of the printer and those of computer on which it is installed. In addition, IJ Network Device Setup Utility restores the status of the printer and computer.

»» Important

- To use the printer over LAN, make sure you have the equipment necessary for the connection type, such as a wireless router or a LAN cable.
- When you install IJ Network Device Setup Utility, disable block function of firewall.

Starting Up IJ Network Device Setup Utility

Start up **Launchpad**, select **Canon Utilities**, and then select IJ Network Device Setup Utility.

When you start up IJ Network Device Setup Utility, the screen below appears.



Enter the password specified for your computer and select **Install Helper**. IJ Network Device Setup Utility starts diagnosis and repair of network.

➔ [Diagnosing and Repairing Network Settings](#)

Diagnosing and Repairing Network Settings

IJ Network Device Setup Utility diagnoses and repairs computer settings or connection between the computer and printer when a problem (e.g. cannot print from a printer on the network) occurs.

▶▶▶ Important

- Some models do not support diagnosis and repair function.

For details:

➔ [List of Models Which Does Not Support Diagnosis and Repair Function](#)

IJ Network Device Setup Utility starts checking the computer settings when it starts up. Perform operations following the instructions on the screen.

▶▶▶ Note

- This function checks the following items:
 - whether the computer is connected to the router
 - whether the printer can be detected on the network
 - whether the signal strength or communication level is sufficient (when using Wi-Fi)
 - whether the printer port setting matches with the network setting

List of Models Which Does Not Support Diagnosis and Repair Function

The following models does not support "Diagnose and Repair" function of IJ Network Device Setup Utility.

- G4000 series
- PRO-500 series
- PRO-1000 series
- MB2100 series
- MB2700 series
- MB5100 series
- MB5400 series
- iB4000 series
- PRO-520
- PRO-540
- PRO-560
- PRO-540S
- PRO-560S
- PRO-2000
- PRO-4000
- PRO-6000
- PRO-4000S
- PRO-6000S
- TS9000 series
- TS8000 series
- TS6000 series
- TS5000 series
- MG3000 series
- E470 series

Handling Paper, Originals, Ink Tanks, etc.

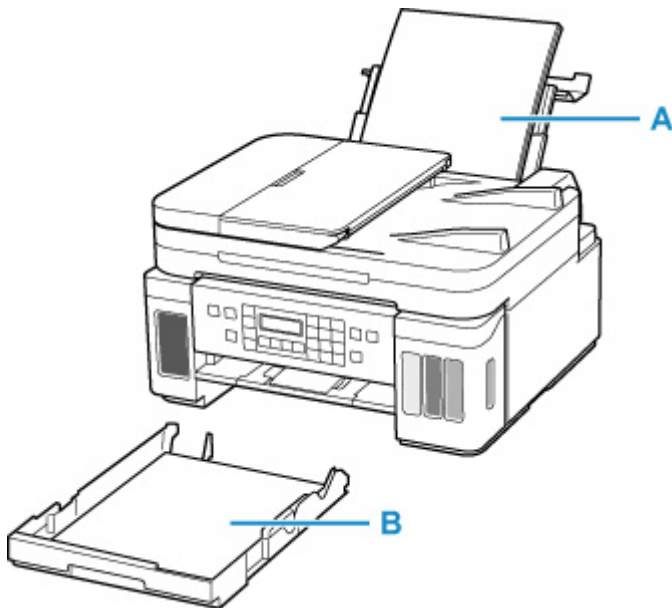
- ▶ **Loading Paper**
- ▶ **Loading Originals**
- ▶ **Refilling Ink Tanks**

Loading Paper

- **Paper Sources**
- **Loading Paper in the Rear Tray**
- **Loading Paper in the Cassette**
- **Loading Envelopes in Rear Tray**

Paper Sources

The printer has two paper sources for feeding paper, the rear tray (A) and cassette (B).



You can load all supported paper on the rear tray.

➔ [Supported Media Types](#)

You can load A4, B5, A5, or Letter-sized plain paper in the cassette.

▶▶▶ Note

- When printing, select the correct page size and media type. If you select the wrong page size or media type, the printer may feed paper from the wrong paper source or may not print with the proper print quality.

For details on how to load paper in each paper source, see below.

- ➔ [Loading Paper in the Rear Tray](#)
- ➔ [Loading Paper in the Cassette](#)
- ➔ [Loading Envelopes in Rear Tray](#)

Loading Paper in the Rear Tray

You can load plain paper or photo paper.

You can also load envelopes on the rear tray.

➔ [Loading Envelopes in Rear Tray](#)

▶▶▶ Important

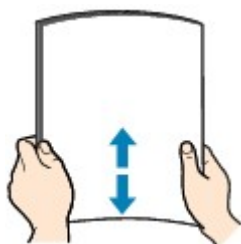
- If you cut plain paper to a size of 5" x 7" (13 x 18 cm) or smaller to perform a trial print, it may cause a paper jam.

▶▶▶ Note

- We recommend Canon genuine photo paper for printing photos.
For details on the Canon genuine paper, see [Supported Media Types](#).
- You can use general copy paper or Canon Red Label Superior WOP111/Canon Océ Office Colour Paper SAT213.
For the page size and paper weight you can use for this printer, see [Supported Media Types](#).

1. Prepare paper.

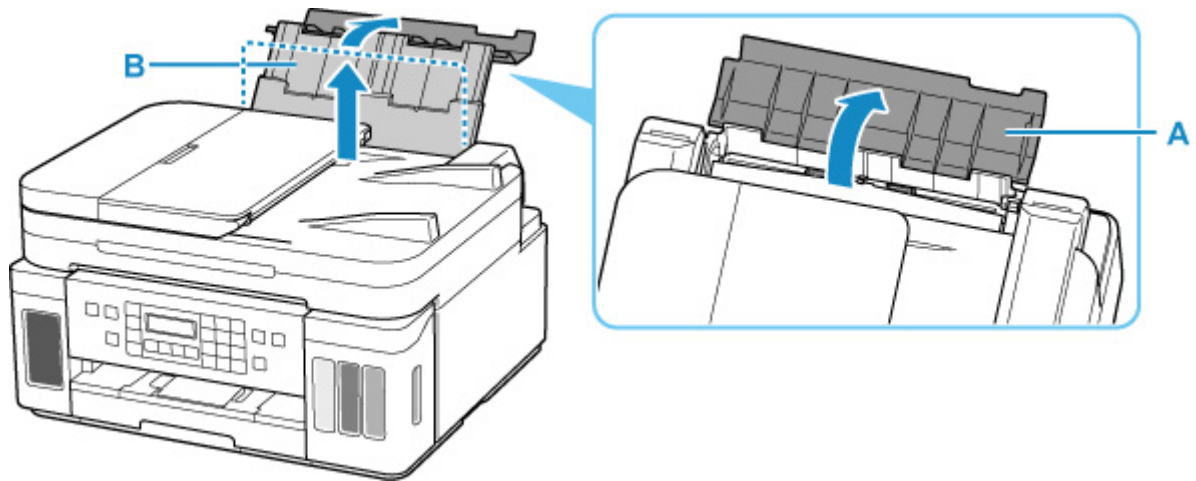
Align the edges of paper. If paper is curled, flatten it.



▶▶▶ Note

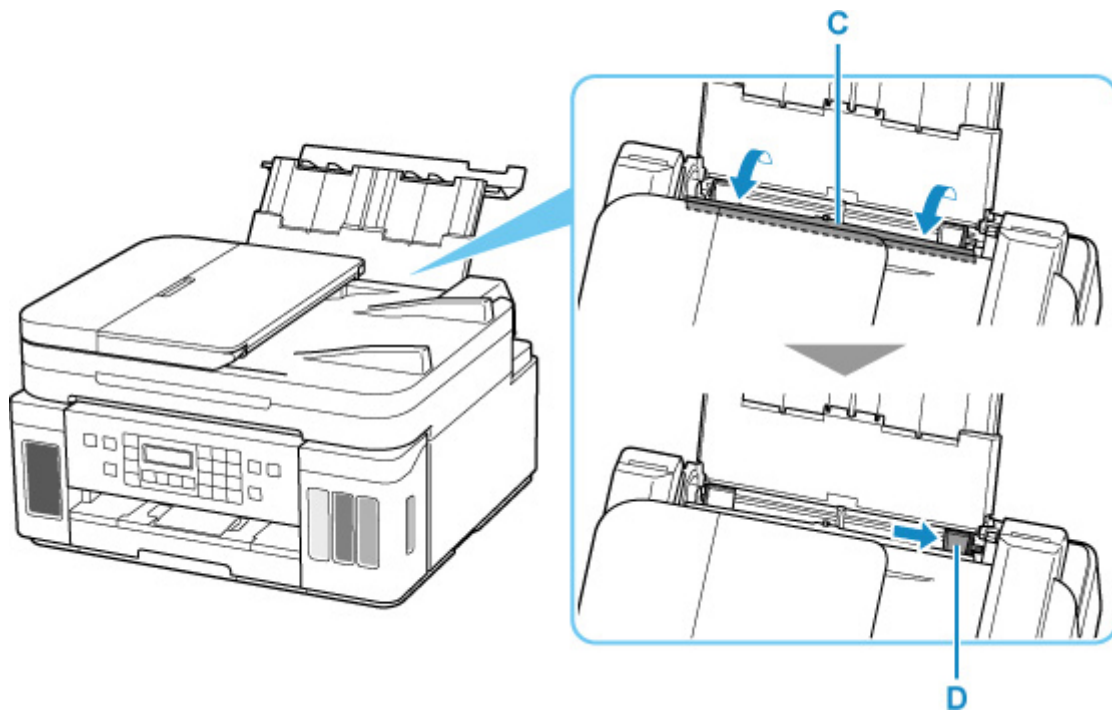
- Align the edges of paper neatly before loading. Loading paper without aligning the edges may cause paper jams.
- If paper is curled, hold the curled corners and gently bend them in the opposite direction until the paper becomes completely flat.
For details on how to flatten curled paper, see [Check3](#) in [Paper Is Smudged / Printed Surface Is Scratched](#).
- When using Photo Paper Plus Semi-gloss SG-201, even if the sheet is curled, load one sheet at a time as it is. If you roll up this paper to flatten, this may cause cracks on the surface of the paper and reduce the print quality.

2. Open rear tray cover (A). Pull straight up and fold back paper support (B).

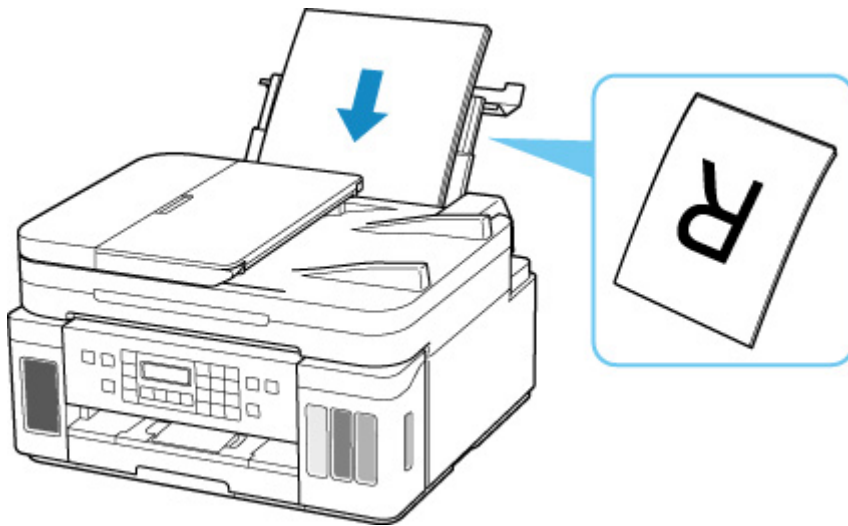


3. Open the feed slot cover (C).

4. Slide right paper guide (D) to open both paper guides.

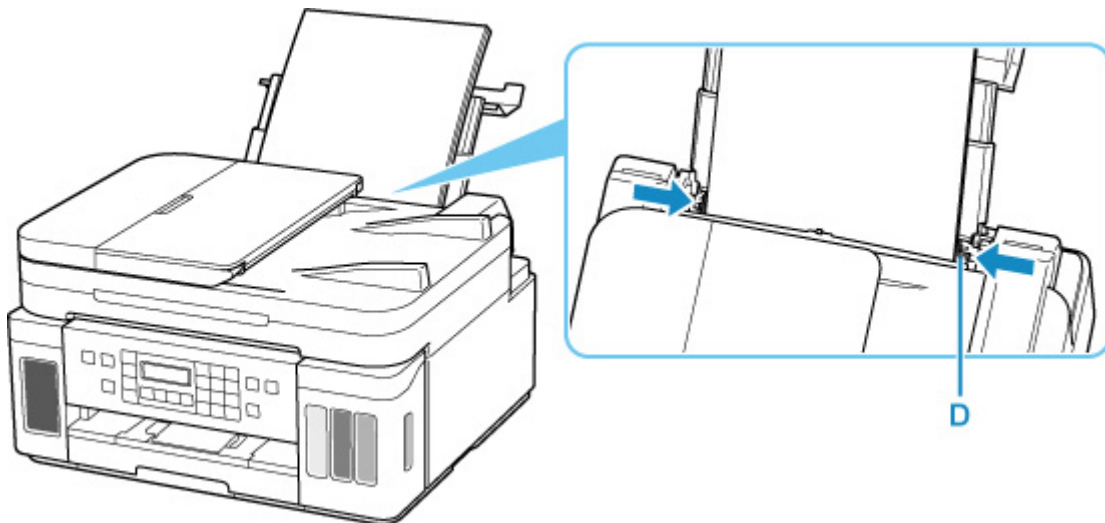


5. Load paper stack in portrait orientation WITH PRINT SIDE FACING UP.



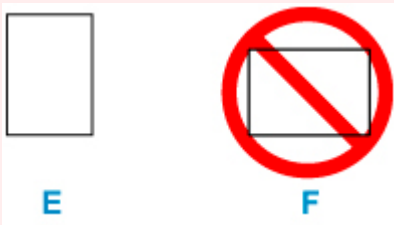
6. Slide right paper guide (D) to align with both sides of paper stack.

Do not slide the paper guides too hard against the paper. The paper may not be fed properly.



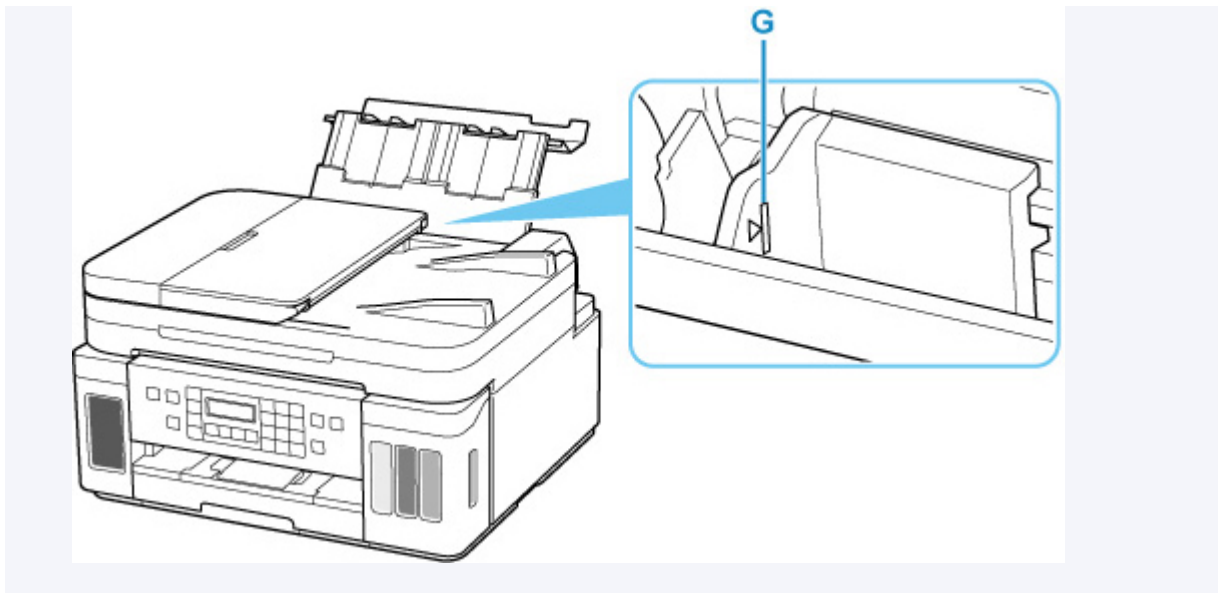
►► Important

- Always load paper in portrait orientation (E). Loading paper in landscape orientation (F) can cause paper jams.



►► Note

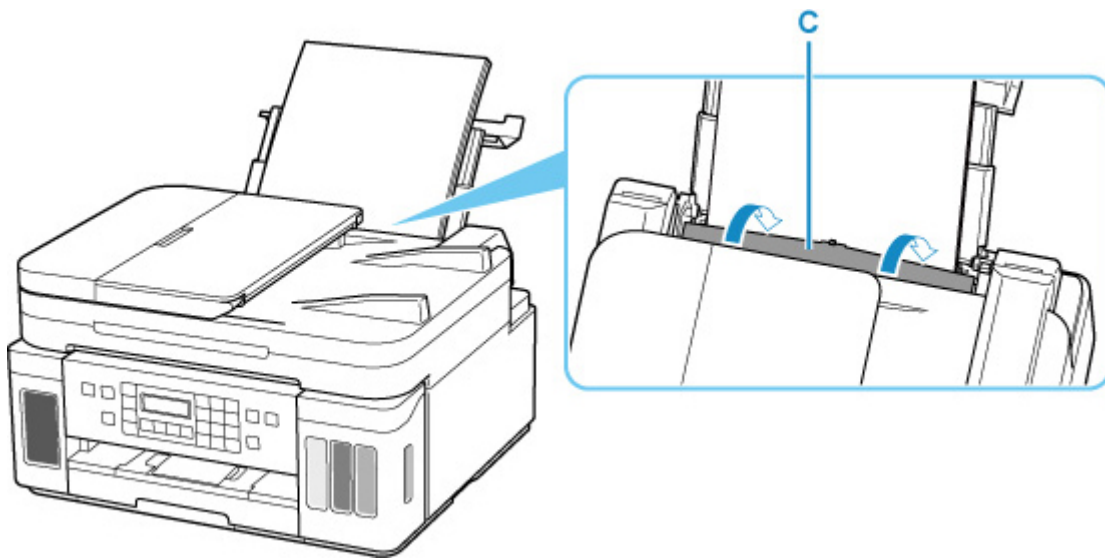
- Do not load sheets of paper higher than the load limit mark (G).



7. Close feed slot cover (C) gently.

»» Important

- If the feed slot cover is open, paper cannot be fed. Be sure to close the feed slot cover.



After closing the feed slot cover, the paper information registration screen for the rear tray appears on the LCD.

8. Press the **OK** button.

Save the rear tray paper
[OK]Next

9. Use the ◀ ▶ button to select the size of the loaded paper on the rear tray, then press the **OK** button.

Size: ◀ *A4 ▶
Type: *Plain paper

▶▶▶ Note

- The * (asterisk) on the LCD indicates the current setting.

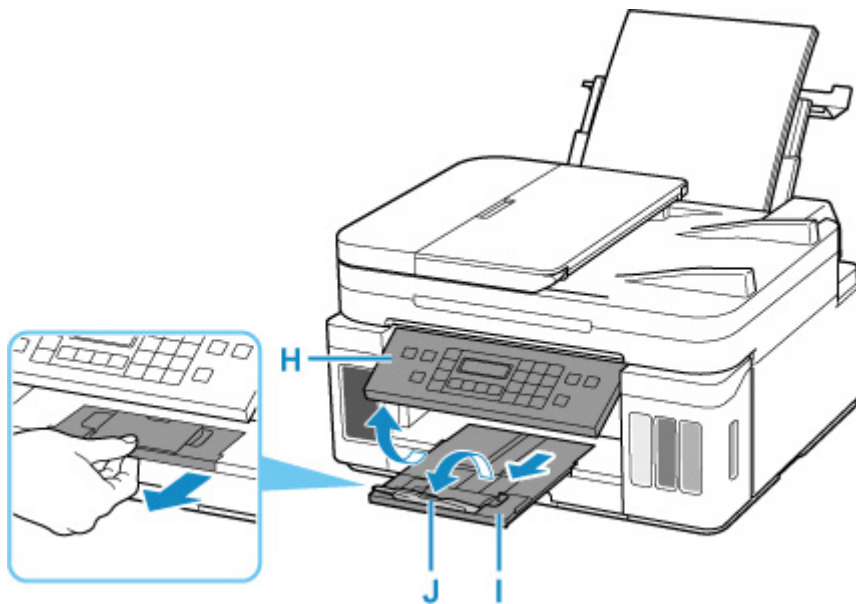
10. Use the ◀ ▶ button to select the type of the loaded paper on the rear tray, then press the **OK** button.

Size: *A4
Type: ◀ PlusGlossyII ▶

Follow the instructions of any messages displayed to register the paper information.

11. Open operation panel (H), pull out paper output tray (I), and then open output tray extension (J).

Be sure to open the operation panel before printing. If the operation panel is close, the printer does not start printing.



▶▶▶ Note

- There are various types of paper, such as paper with a special surface coating for printing photos at optimal quality and paper suitable for documents. Each media type has specific preset settings (how ink is used and sprayed, distance from nozzles, etc.), that allow you to print to that type with optimal image quality. The wrong paper settings may cause poor printout color quality or scratches on the printed surface. If you notice blurring or uneven colors, increase the print quality setting and try printing again.
- To prevent incorrect printing, this printer has a function that detects whether the settings for the paper loaded on the rear tray matches the paper settings. Before printing, make print settings in accordance with the paper settings. When this function is enabled, an error message is displayed if these settings do not match to prevent incorrect printing. When this error message is displayed, check and correct the paper settings.

Loading Paper in the Cassette

You can load A4, B5, A5, or Letter-sized plain paper in the cassette.

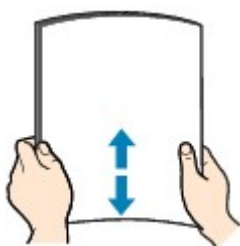
►► Note

- In the cassette, be sure to load only plain paper.
- You can use general copy paper or Canon Red Label Superior WOP111/Canon Océ Office Colour Paper SAT213.

For the page size and paper weight you can use for this printer, see [Supported Media Types](#).

1. Prepare paper.

Align the edges of paper. If paper is curled, flatten it.

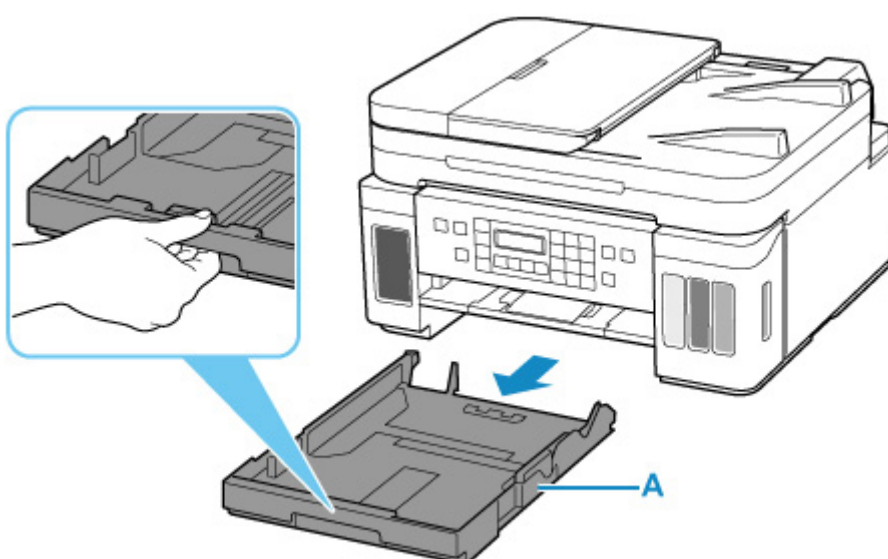


►► Note

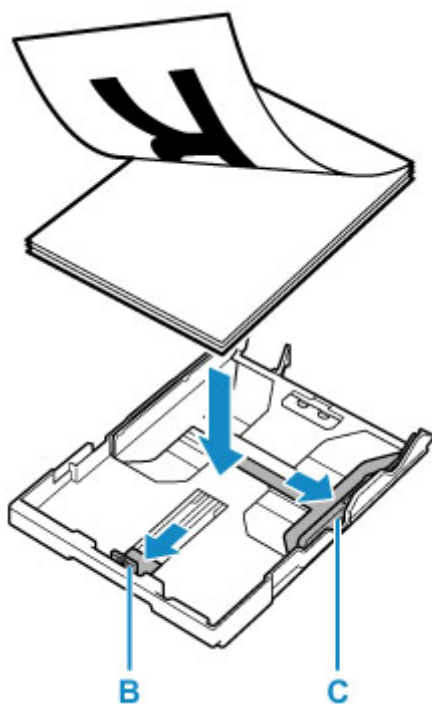
- Align the edges of paper neatly before loading. Loading paper without aligning the edges may cause paper jams.
- If paper is curled, hold the curled corners and gently bend them in the opposite direction until the paper becomes completely flat.

For details on how to flatten curled paper, see **Check3** in [Paper Is Smudged / Printed Surface Is Scratched](#).

2. Pull out the cassette (A) from the printer.

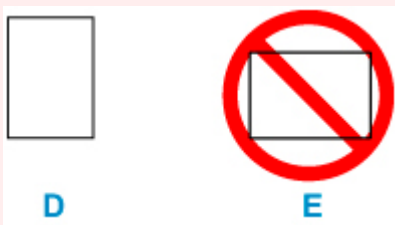


- Slide paper guides (B) in front and (C) on right to open guides.
- Load paper stack in portrait orientation WITH PRINT SIDE FACING DOWN, and place it in center of cassette.



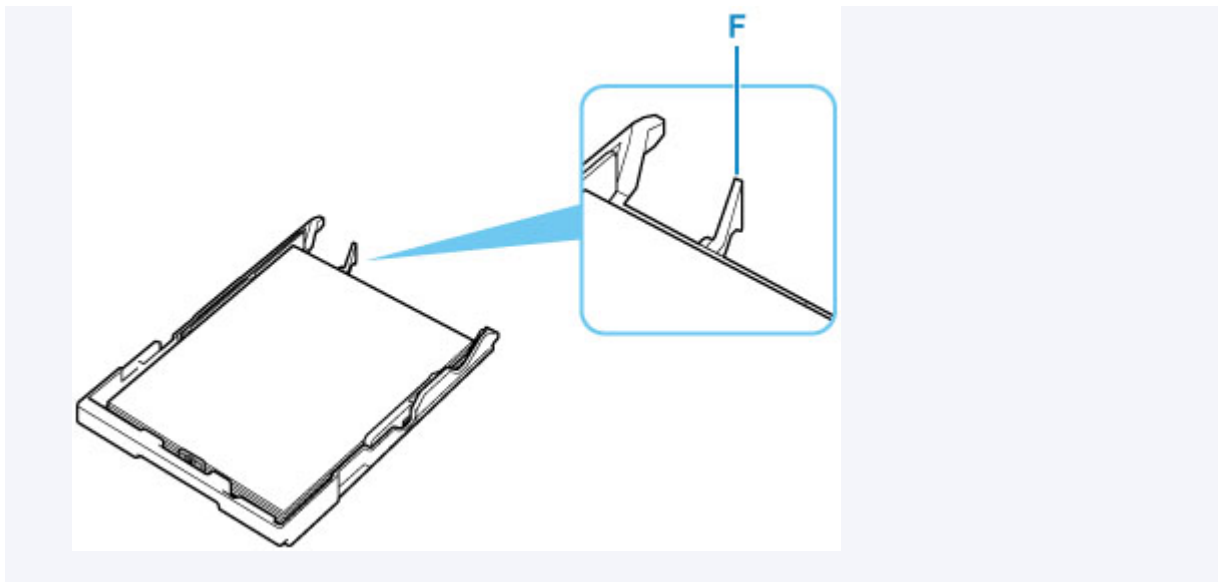
»»» Important

- Always load paper in portrait orientation (D). Loading paper in landscape orientation (E) can cause paper jams.



»»» Note

- Align the paper stack with the edge of the cassette as shown in the figure below.
If the paper stack is in contact with the protrusion (F), the paper may not be fed properly.

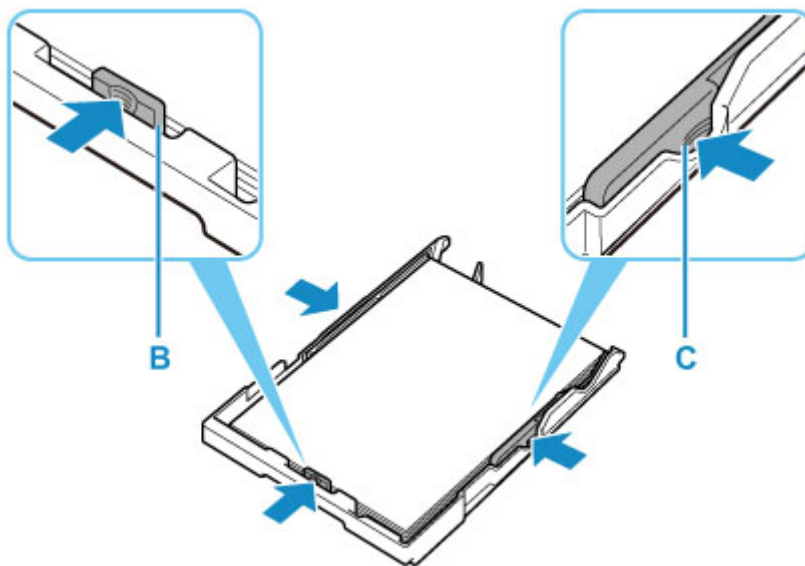


5. Slide front paper guide (B) to align it with paper stack.

Align paper guide with where it clicks into place.

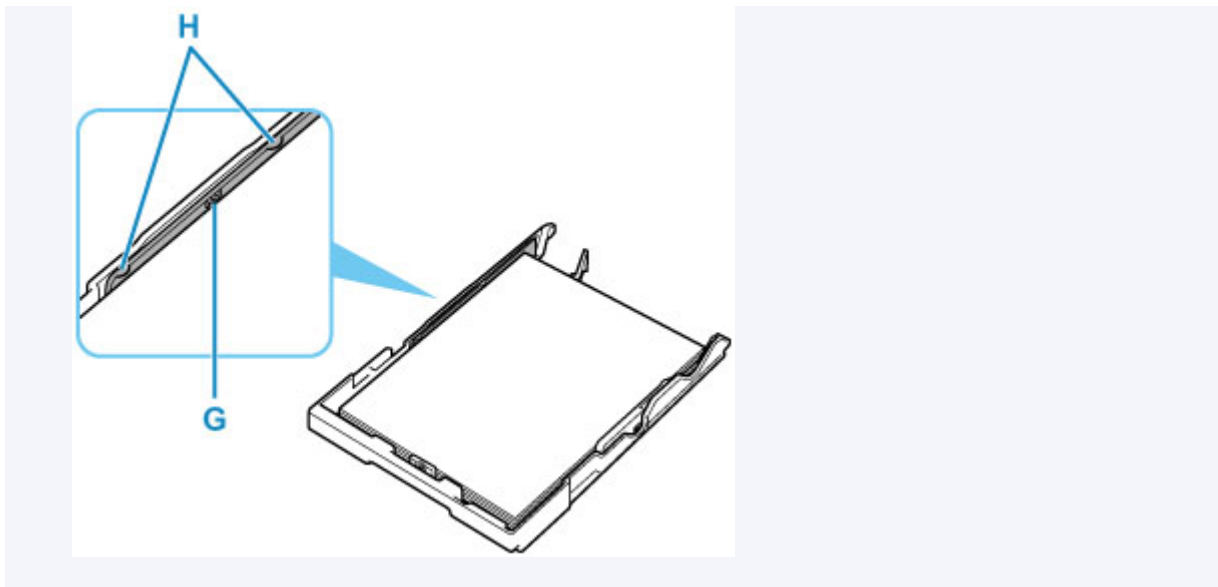
6. Slide right paper guide (C) to align it with paper stack.

Do not slide the paper guide too hard against the paper. The paper may not be fed properly.



►►► **Note**

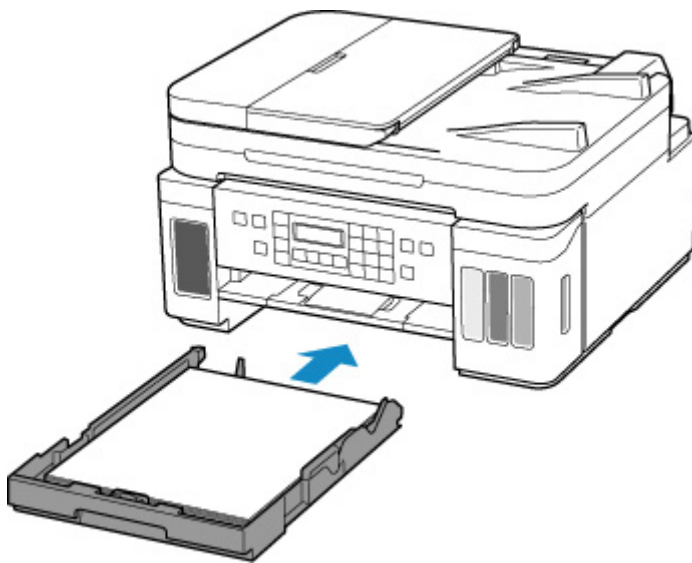
- Do not load sheets of paper higher than the load limit mark (G).
- Keep the paper stack height below the tabs (H) of the paper guides.



7. Insert cassette into printer.

Push the cassette into the printer until it stops.

After inserting the cassette into the printer, the paper information registration screen for the cassette appears on the LCD.



8. Press the **OK button.**

Save the cassette paper
[OK]Next

9. Use the ◀ ▶ button to select the size of the loaded paper in the cassette, then press the **OK button.**

Size: ◀ *A4 ▶
Type: *Plain paper

▶▶▶ Note

- The * (asterisk) on the LCD indicates the current setting.

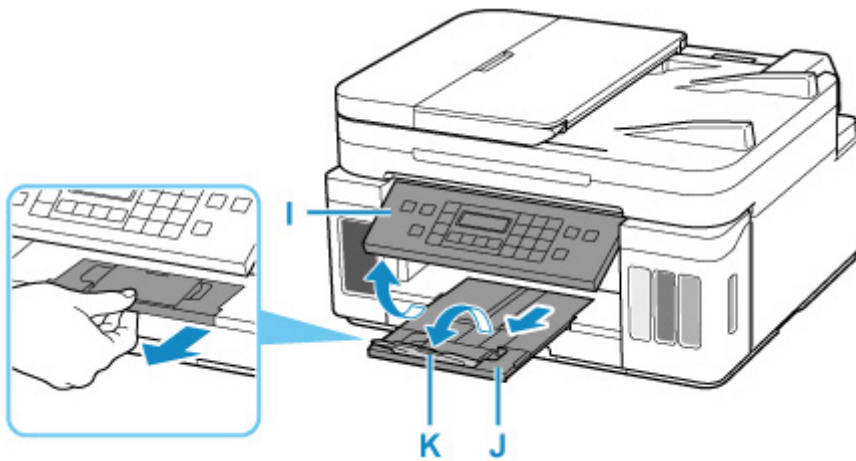
10. Check media type and press **OK** button.

Size: *A4
Type: *Plain paper

Follow the instructions of any messages displayed to register the paper information.

11. Open operation panel (I), pull out paper output tray (J), and then open output tray extension (K).

Be sure to open the operation panel before printing. If the operation panel is close, the printer does not start printing.



▶▶▶ Note

- To prevent incorrect printing, this printer has a function that detects whether the settings for the paper loaded in the cassette matches the paper settings. Before printing, make print settings in accordance with the paper settings. When this function is enabled, an error message is displayed if these settings do not match to prevent incorrect printing. When this error message is displayed, check and correct the paper settings.

Loading Envelopes in Rear Tray

You can load Envelope DL and Envelope Com 10 on the rear tray.

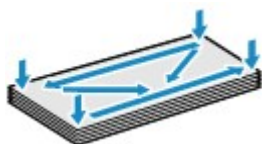
The address is automatically rotated and printed according to the envelope's direction by specifying with the printer driver properly.

Important

- Printing of envelopes from the operation panel or from a PictBridge (Wi-Fi) compliant device is not supported.
- Do not use the following envelopes. They could jam in the printer or cause the printer to malfunction.
 - Envelopes with an embossed or treated surface
 - Envelopes with a double flap
 - Envelopes whose gummed flaps are already moistened and adhesive

1. Prepare envelopes.

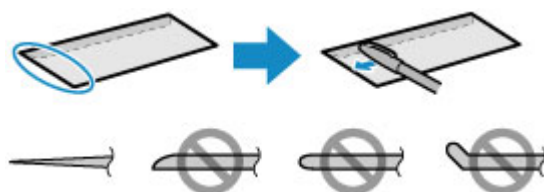
- Press down on all four corners and edges of the envelopes to flatten them.



- If the envelopes are curled, hold the opposite corners and gently twist them in the opposite direction.



- If the corner of the envelope flap is folded, flatten it.
- Use a pen to press the leading edge in the inserting direction flat and sharpen the crease.

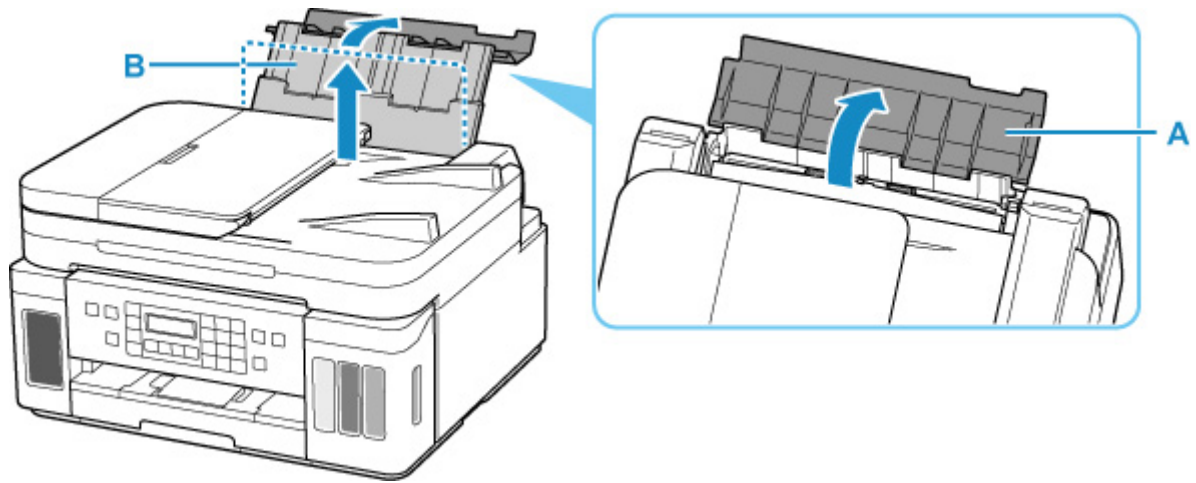


The figures above show a side view of the leading edge of the envelope.

Important

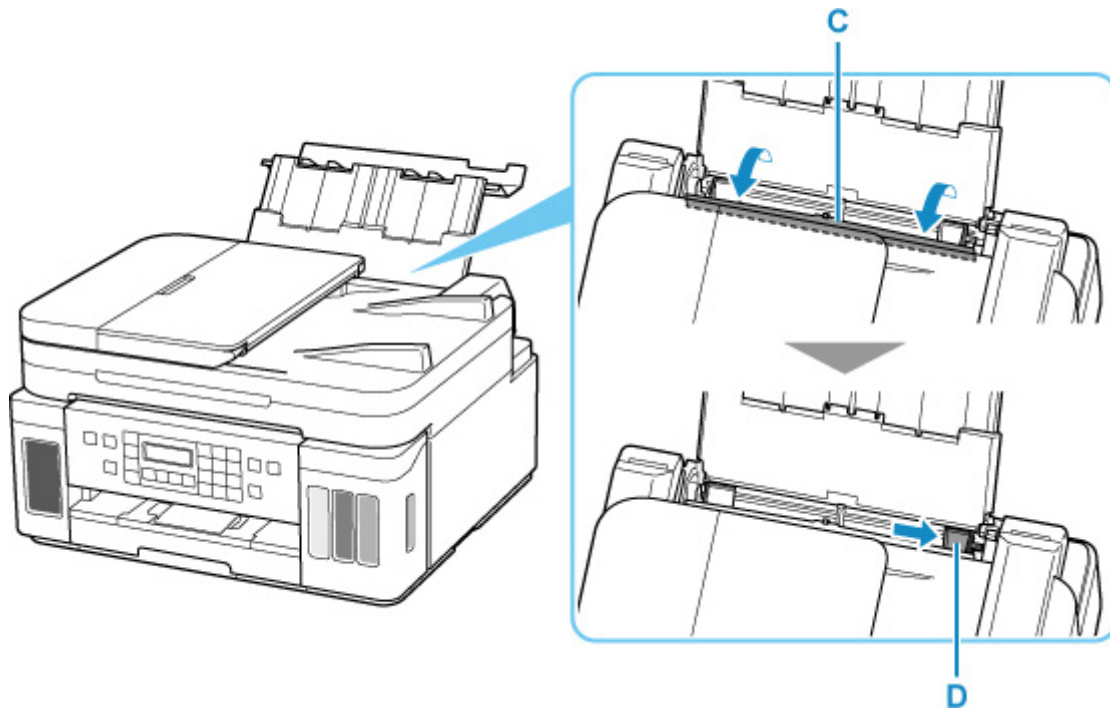
- The envelopes may jam in the printer if they are not flat or the edges are not aligned. Make sure that no curl or puff exceeds 0.12 in. (3 mm).

2. Open rear tray cover (A). Pull straight up and fold back paper support (B).



3. Open the feed slot cover (C).

4. Slide right paper guide (D) to open both paper guides.



5. Load envelopes in portrait orientation WITH PRINT SIDE FACING UP.

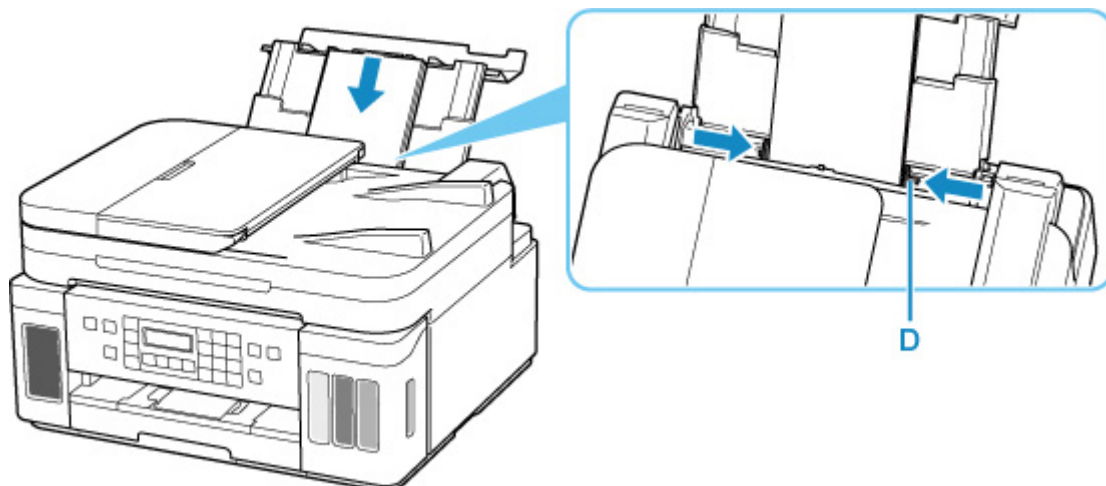
Up to 10 envelopes can be loaded at once.

Fold flap of the envelope and load the envelope in portrait orientation with the address side facing up.



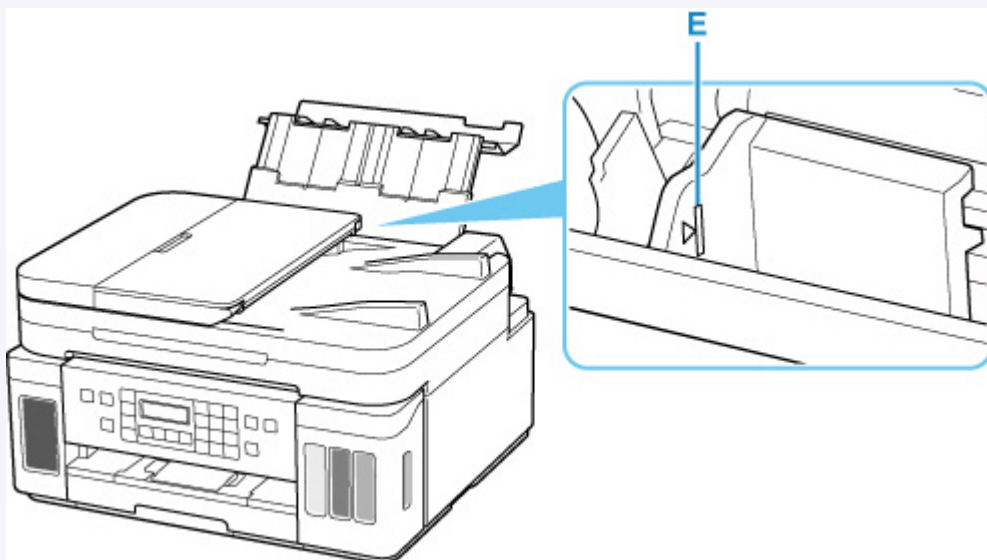
6. Slide right paper guide (D) to align with both sides of envelopes.

Do not slide the paper guides too hard against the envelopes. The envelopes may not be fed properly.



▶▶▶ Note

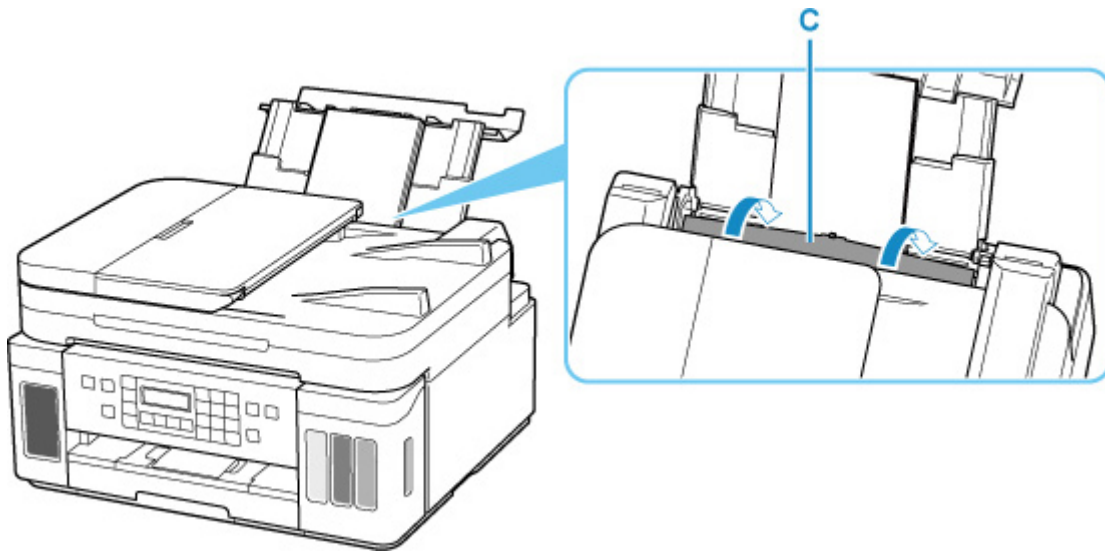
- Do not load envelopes higher than the load limit mark (E).



7. Close feed slot cover (C) gently.

▶▶▶ Important

- If the feed slot cover is open, paper cannot be fed. Be sure to close the feed slot cover.



After closing the feed slot cover, the paper information registration screen for the rear tray appears on the LCD.

- Press the **OK** button.

```
Save the rear tray paper
[OK]Next
```

- Use ◀ ▶ button to select size of loaded envelopes on rear tray and press **OK** button.

```
Size: ◀ Envelope DL ▶
Type: *Plain paper
```

▶▶▶ Note

- The * (asterisk) on the LCD indicates the current setting.

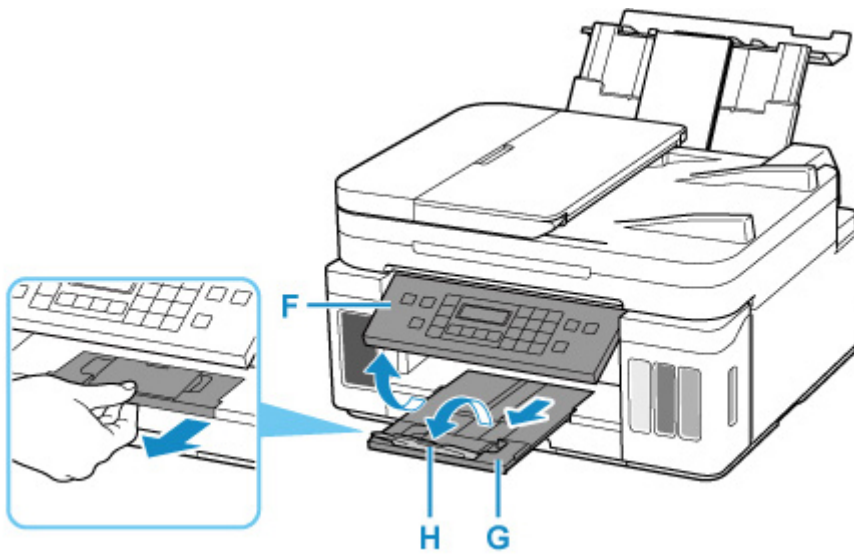
- Use ◀ ▶ button to select **Envelope** and press **OK** button.

```
Size: Envelope DL
Type: ◀ Envelope ▶
```

Follow the instructions of any messages displayed to register the paper information.

- Open operation panel (F), pull out paper output tray (G), and then open output tray extension (H).

Be sure to open the operation panel before printing. If the operation panel is close, the printer does not start printing.



►►► Note

- To prevent incorrect printing, this printer has a function that detects whether the settings for the paper loaded on the rear tray matches the paper settings. Before printing, make print settings in accordance with the paper settings. When this function is enabled, an error message is displayed if these settings do not match to prevent incorrect printing. When this error message is displayed, check and correct the paper settings.

Loading Originals

- **Where to Load Originals**
- **Loading Originals on Platen**
- **Loading Documents in the ADF (Auto Document Feeder)**
- **Loading Based on Use**
- **Supported Originals**

Where to Load Originals

The printer has two positions to load originals: platen and ADF (Auto Document Feeder).

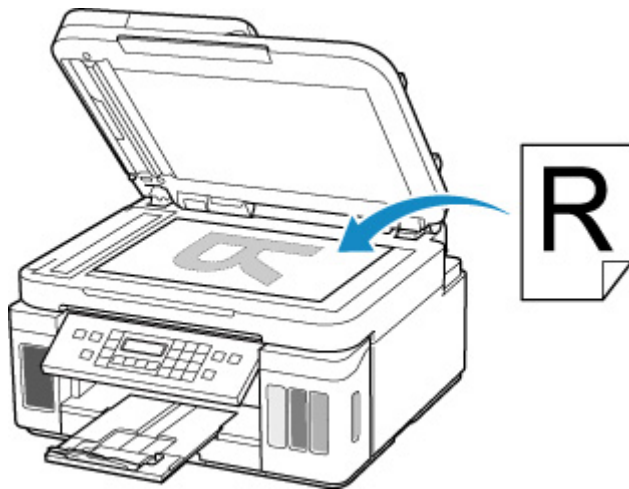
Select the position to load the original according to the size, type, or usage.

▶▶▶ Note

- For details on the supported originals, see below.

➔ [Supported Originals](#)

Loading Documents, Photos, or Book on Platen



Loading Two or More Sheets of Document of the Same Size and Thickness in the ADF

You can also load a sheet of document in the ADF.



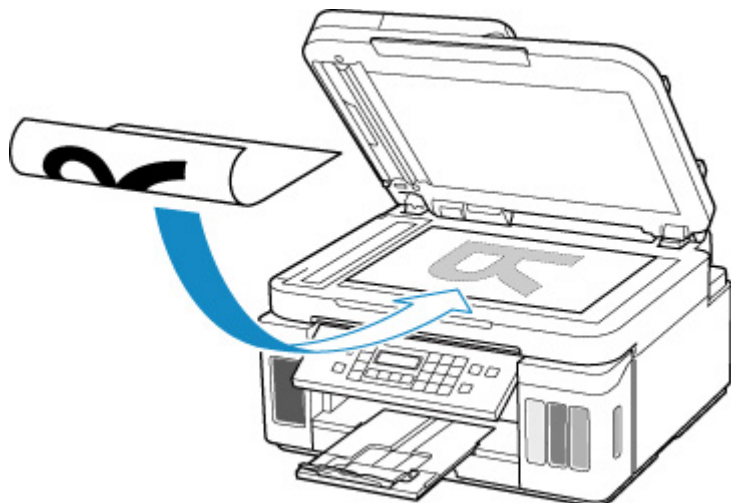
▶▶▶ Note

- To scan the original at optimum quality, load it on the platen.

Loading Originals on Platen

1. Open the document cover.
2. Load original WITH SIDE TO SCAN FACING DOWN on platen.

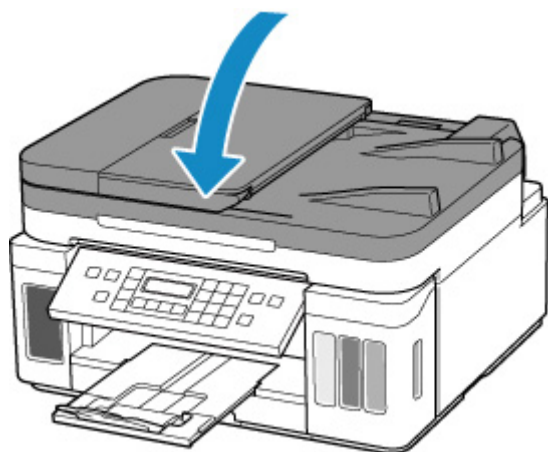
- ➔ [Loading Based on Use](#)
- ➔ [Supported Originals](#)



▶▶▶ Important

- Be sure to observe the following when loading the original on the platen.
Failure to observe the following may cause the scanner to malfunction or the platen glass to break.
 - Do not place any objects weighing 4.4 lb (2.0 kg) or more on the platen glass.
 - Do not put any pressure of 4.4 lb (2.0 kg) or more on the platen glass, such as pressing down the original.

3. Close the document cover gently.



»» Important

- After loading the original on the platen, be sure to close the document cover before starting to copy, fax, or scan.

Loading Documents in the ADF (Auto Document Feeder)

Load A4, B5, A5, letter-size originals in the ADF (Auto Document Feeder).

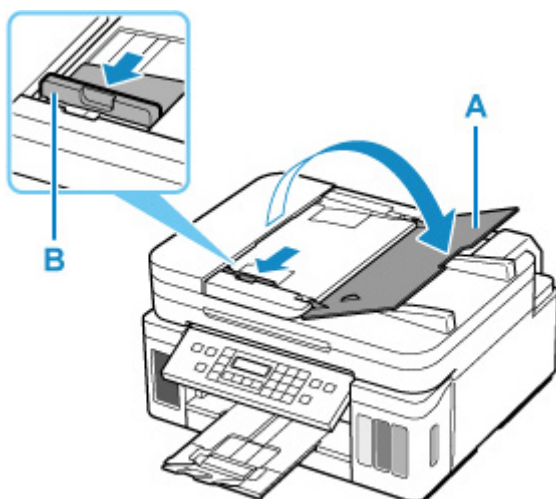
►► Important

- Be careful not to let anything get inside the document output slot. It may cause damage.

►► Note

- To scan a document at optimum quality, load it on the platen.

1. Make sure any original has been removed from platen.
2. Open document tray (A).
3. Slide the paper guides (B) all the way out.



4. Insert document WITH SIDE TO SCAN FACING UP in document tray, until you hear a beep sound.

Insert the document until it stops.

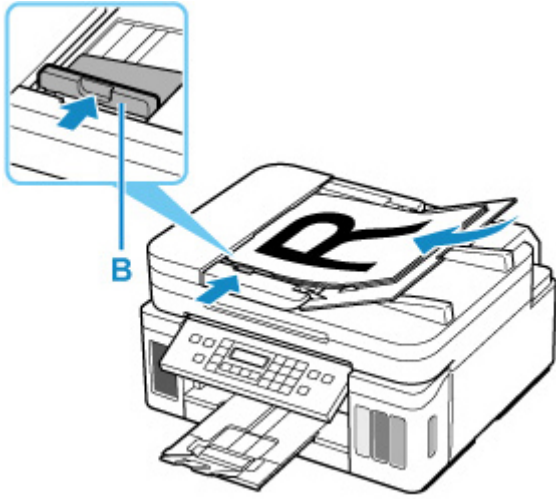
►► Note

- For details on the supported originals, see below.

➡ [Supported Originals](#)

5. Adjust document guide (B) to match width of document.

Do not slide the document guide too hard against the document. The document may not be fed properly.



Loading Based on Use

Load the original in the correct position according to the function to use. If you do not load the original correctly, it may not be scanned properly.

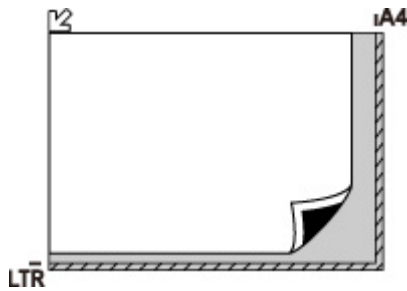
Originals	Function	How to Load
Magazines, Newspapers, and Documents	Copying or Faxing	➡ Loading the Original to Be Aligned with the alignment mark
	Scanning by detecting the type and size of the original automatically If you scan using the operation panel, press the SCAN button and select Auto scan for Original type .	
	Scanning by specifying a standard size (A4, Letter, etc.) If you scan using the operation panel, press the SCAN button, select Document or Photo for Original type , and then specify a standard size (A4, Letter, etc.) for Scan size .	
Photos, Postcards, Business Cards, and Disc (BD/DVD/CD)	Scanning only one original If you scan using the operation panel, follow the operation below. <ul style="list-style-type: none"> • Press the SCAN button and select Auto scan for Original type. • Press the SCAN button, select Photo for Original type, and then specify Auto scan(A) -Singl for Scan size. 	➡ Loading Only One Original in Center of Platen
	Scanning two or more originals If you scan using the operation panel, follow the operation below. <ul style="list-style-type: none"> • Press the SCAN button and select Auto scan for Original type. • Press the SCAN button, select Photo for Original type, and then specify Auto scan(A) -Multi for Scan size. 	➡ Loading Two or More Originals on Platen

▶▶▶ Note

- For details on how to scan from the computer and how to load originals, see below.
 - For Windows:
 - ➡ [Scanning from Computer \(Windows\)](#)
 - For macOS:
 - ➡ [Scanning from Computer \(macOS\)](#)

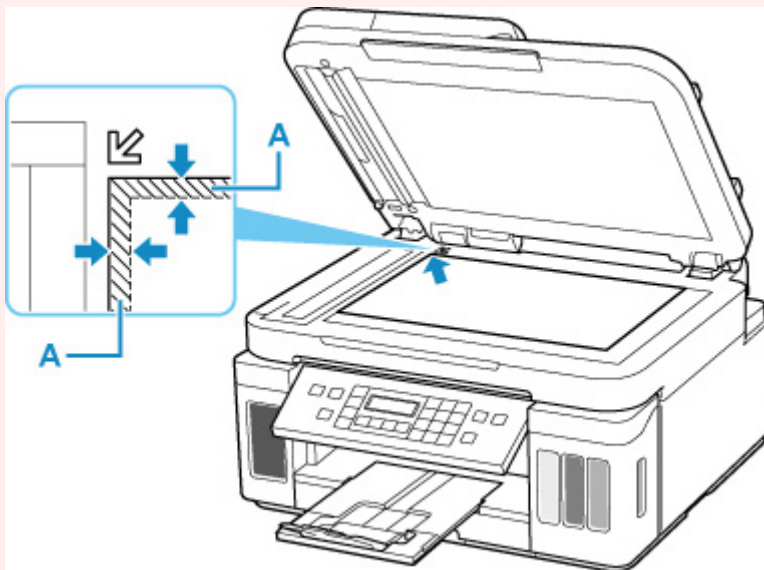
Loading the Original to Be Aligned with the alignment mark

Place the original WITH THE SIDE TO SCAN FACING DOWN on the platen and align it with the alignment mark. Portions placed on the diagonally striped area cannot be scanned.



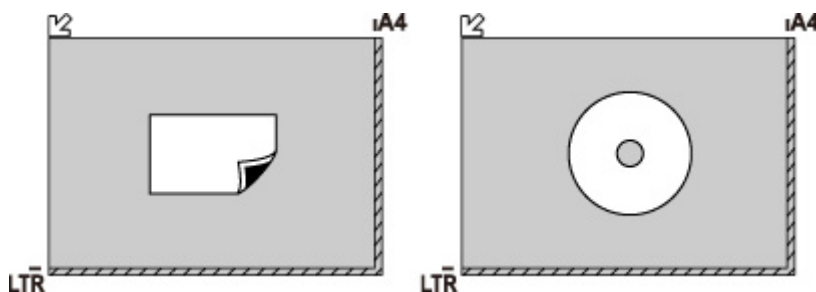
Important

- The printer cannot scan the striped area (A) (0.04 in. (1 mm) from the edges of the platen glass).



Loading Only One Original in Center of Platen

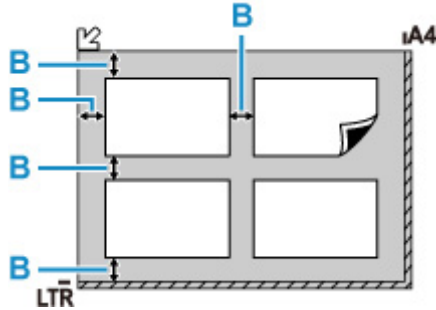
Place the original WITH THE SIDE TO SCAN FACING DOWN, with 0.40 in. (1 cm) or more space between the edges (diagonally striped area) of the platen. Portions placed on the diagonally striped area cannot be scanned.



Loading Two or More Originals on Platen

Place the originals WITH THE SIDE TO SCAN FACING DOWN. Allow 0.40 in. (1 cm) or more space between the edges (diagonally striped area) of the platen and the originals, and between the originals. Portions placed on the diagonally striped area cannot be scanned.

You can place up to 12 items.



B: More than 0.40 in. (1 cm)

►►► Note

- The Skew Correction function automatically compensates for the originals placed at an angle of up to approximately 10 degrees. Slanted photos with a long edge of 7.1 in. (180 mm) or more cannot be corrected.
- Non-rectangular or irregular shaped photos (such as cut out photos) may not be scanned properly.

Supported Originals

Platen

Item	Details
Types of originals	<ul style="list-style-type: none">• Text document, magazine, or newspaper• Printed photo, postcard, business card, or disc (BD/DVD/CD, etc.)• Documents that are not suitable for the ADF
Size (width x height)	Max. 8.5 x 11.7 in. (216 x 297 mm)
Quantity	One or more sheets*
Thickness	Max. 0.2 in. (5 mm)

* Two or more originals can be loaded on the platen depending on the selected function.

➔ [Loading Based on Use](#)

In the ADF (Auto Document Feeder)

Item	Details
Kind of original	Plain-paper documents with multiple pages of the same size, thickness, and weight
Size	Max. 8.5 x 14.0 in. (216 x 356 mm) Min. 5.8 x 5.8 in. (148 x 148 mm) 2-on-1/4-on-1 copying: A4/Letter only
Quantity	<ul style="list-style-type: none">• A4/Letter: Max. 35 sheets (20 lb (75 g /m²) paper), up to 0.14 in. (3.5 mm) high• Legal: Max. 5 sheets (20 lb (75 g /m²) paper), up to 0.02 in. (0.5 mm) high• Originals other than the above: 1 sheet
Thickness	0.003 to 0.005 in. (0.07 to 0.13 mm)
Weight	16.0 to 25.3 lb (60 to 95 g /m ²)

➤➤➤ Note

- Make sure any liquids on documents, such as glue, ink, or correction fluid are dry before loading.
Do not load glued documents in the ADF, even if the glue is dry, because this may cause paper jams.
- Remove all staples, paper clips, or other fasteners before feeding documents.
- Load Legal-sized documents in the ADF.
- Do not load these kinds of documents in the ADF, which may cause paper jams.
 - Wrinkled or creased documents
 - Curled documents
 - Torn documents
 - Documents with holes

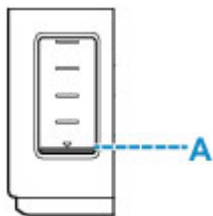
- Glued documents
- Documents with sticky notes
- Documents on carbon paper
- Documents on coated paper
- Documents on onion skin or other thin paper
- Photos or excessively thick documents

Refilling Ink Tanks

- ▶ **Refilling Ink Tanks**
- ▶ **Checking Ink Level**
- ▶ **Ink Tips**

Refilling Ink Tanks

When remaining ink cautions or errors occur, the message will appear on the LCD to inform you of the error. In this state, the printer cannot print. Check the remaining ink level with the ink tank indicator on the front of the printer. If the ink level is near the lower limit line (A), refill the ink tank.



▶▶▶ Note

- If print results become faint or white streaks appear despite sufficient ink levels, see [Maintenance Procedure](#).
- For precautionary notes on handling ink bottles, see [Notes on ink bottles](#).

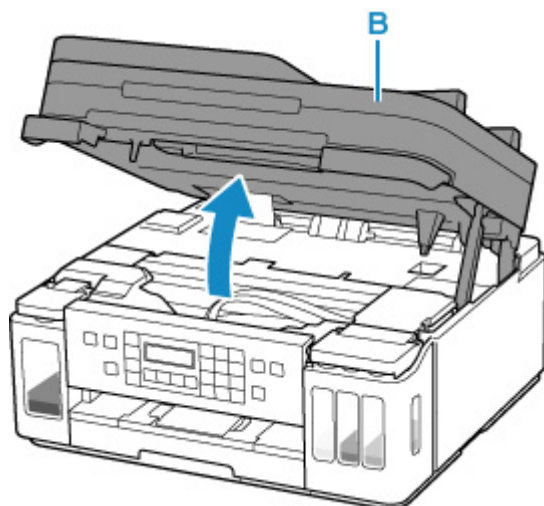
Refilling Procedure

When you refill ink tanks, follow the steps below.

▶▶▶ Important

- Please ensure the printer remains flat after initial setup and is NOT turned upside down or on its side, as ink in the printer may leak.

1. [Check that printer is turned on.](#)
2. Open the scanning unit / cover (B).



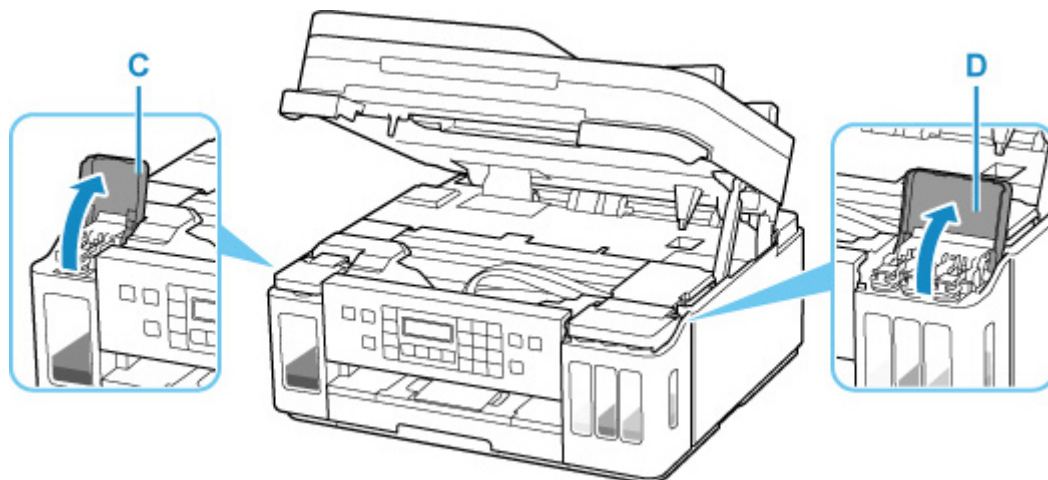
▶▶▶ Important

- Do not touch tubes or other parts inside the printer. This can cause trouble with the printer.

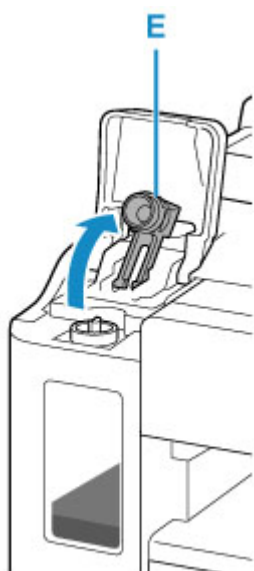
3. Open the ink tank cover.

To refill the black ink tank, open the left ink tank cover (C).

To refill color ink tanks, open the right ink tank cover (D).



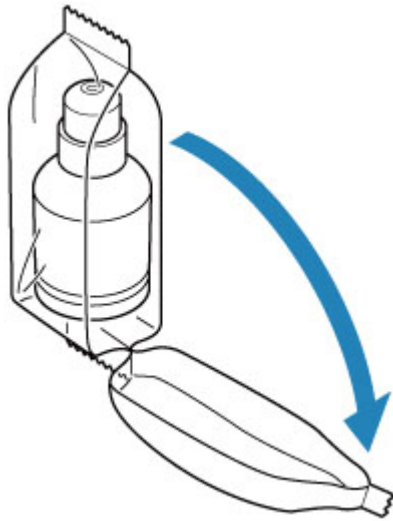
4. Open the tank cap (E) of the ink tank to be refilled.



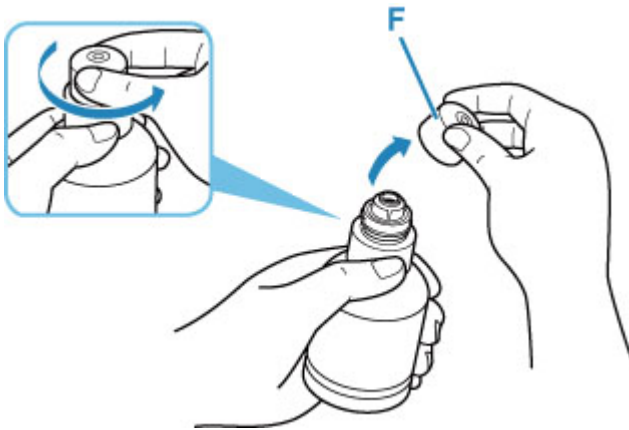
»» Important

- Carefully open the tank cap of the ink tank. Ink on the inside of the tank cap may spatter when opening it.

5. Take a new ink bottle out of its package.



6. Hold the ink bottle upright and gently twist the bottle cap (F) to remove.



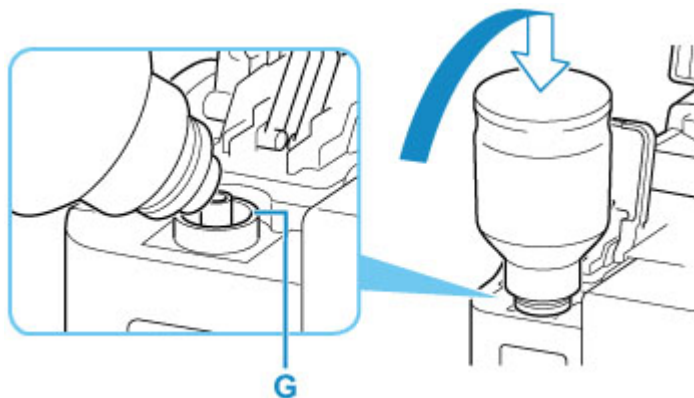
»» Important

- Do not shake the ink bottle. Ink may spatter when opening the cap.

7. Refill the ink tank.

Aligning the ink bottle's tip with the printer's inlet (G), slowly stand the bottle upside down, and push the bottle into the inlet.

The ink tank is refilled. Support the bottle with your hand so that it does not fall.



▶▶ Important

- Make sure that each color of ink tanks is filled with corresponding color of ink bottles.
- If ink is not injected into the ink tank, slowly remove and insert the ink bottle.
- Make sure to refill the ink tank with ink up to the upper limit line (H) on the ink tank.



8. Once ink reaches the upper limit line, remove the ink bottle from the inlet.

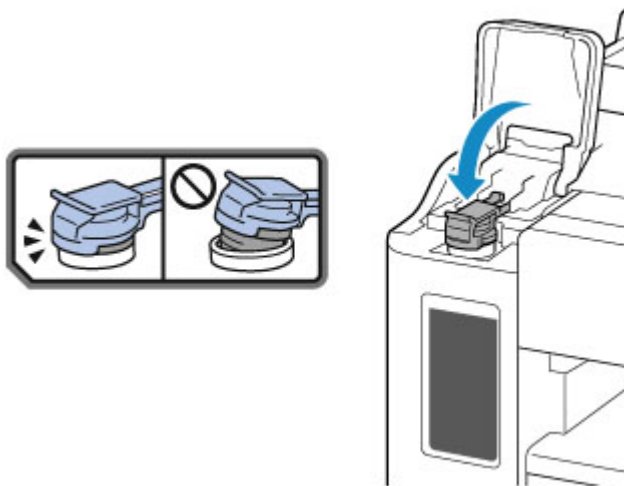
Hold up the ink bottle slightly and remove the bottle from the inlet while slowly tilting it.

▶▶ Important

- Do not leave ink bottles in ink tanks.
- Close the bottle cap of the ink bottle securely and store the ink bottle upright.
- Discard empty ink bottles in compliance with local laws and regulations regarding disposal of consumables.

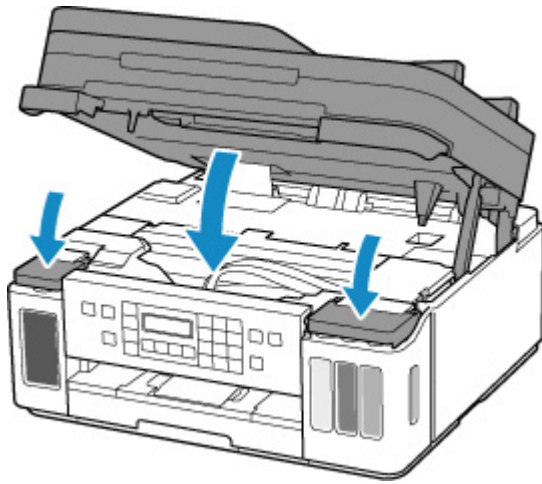
9. Close the tank cap of the ink tank.

Make sure the tank cap is completely inserted.



10. Close the ink tank cover.

11. Close the scanning unit / cover gently.



▶▶ Note

- If the error message appears on the LCD after the scanning unit / cover is closed, take appropriate action.
 - ➔ [When Error Occurred](#)
- The printer may make noise during operation.

Notes on ink bottles

▶▶ Important

- Keep out of reach of children.
- Do not drink ink.
- If ink is accidentally licked or swallowed, rinse out your mouth or drink one or two glasses of water and obtain medical advice immediately. If ink gets into your eyes, flush them with water right away, and obtain medical advice immediately.
- If ink gets on your skin, wash the area with soap and water immediately. If irritation to your skin persists, obtain medical advice immediately.
- When you store ink bottles, close bottle caps completely and place bottles in standing position. If the ink bottles are laid down, ink may leak.
- When refilling ink tanks, take sufficient care to prevent ink from splattering onto surroundings.
- Ink may stain clothes or other belongings permanently. Washing may not remove ink stains.
- Do not use ink bottles and ink contained therein except to refill tanks of printers specified by Canon.
- Do not leave ink bottles in areas exposed to high temperature, such as near fire or a heater or in a car. Bottles may warp and cause ink leakage or ink may become poor quality.
- Do not subject ink bottles to impacts. Ink bottles may be damaged or bottle caps may come off by such impact, and ink may leak.
- Do not transfer ink to other containers. This may result in accidental ingestion, inappropriate use, or poor ink quality.
- Do not mix ink with water or other ink. This may damage the printer.
- Once an ink bottle has been opened, do not leave it with bottle cap off. Ink will dry out, possibly preventing proper operation of the printer when an ink tank is refilled using this bottle.
- To obtain optimum print quality, we recommend to refill the ink tank with ink up to the upper limit line at least once a year.

▶▶ Note

- Color ink may be consumed even when printing a black-and-white document or when black-and-white printing is specified. Every ink is also consumed in the standard cleaning and deep cleaning of the print head, which may be necessary to maintain the performance of the printer.

When ink runs low, promptly refill it.

➔ [Ink Tips](#)

Checking Ink Level

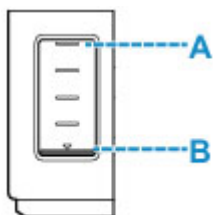
Check ink level with the ink tank indicator on the front of the printer.

When ink reaches the upper limit line (A), ink is full.

When ink is near the lower limit line (B), ink is running low. Refill the ink tank.

▶▶▶ Note

- To check the remaining ink level, visually inspect the remaining ink in the ink tank.



▶▶▶ Important

- If printing is continued when the remaining ink level is below the lower limit line, the printer may consume a certain amount of ink to return to printable status and may also become damaged.

▶▶▶ Note

- When you refill the ink tank, refill the ink tank until ink reaches the upper limit line (A). If ink does not reach the upper limit line, the remaining ink level is not detected correctly.
- If a remaining ink error occurs, the error message appears on the LCD.
 - ➔ [When Error Occurred](#)
- To ensure you receive premium print quality and to help protect your print head, a certain amount of ink remains in the ink tank when the printer indicates to refill the ink tank. The estimated page yields of the ink bottle do not include this amount.
- Ink flows from the ink tanks to the inside of the printer. Ink may seem to run out fast due to this procedure when you start using the printer or after transporting it.

Ink Tips

How is ink used for various purposes other than printing?

Ink may be used for purposes other than printing.

During initial setup, some of the ink from the bundled ink bottles is used to fill the print head's nozzles to ensure the printer is print-ready.

Therefore, the page yield of the initial bundled set of ink bottles is lower than that of the subsequent sets of bottles.

To keep printer's performance, Canon printer performs cleaning automatically according to its condition. When the printer performs cleaning, a small amount of ink is consumed. In this case, all colors of ink may be consumed.

[Cleaning function]

The cleaning function helps the printer to suck air bubbles or ink itself from the nozzle and thus prevents print quality degradation or nozzle clogging.

Does black-and-white printing use color ink?

Black-and-white printing may use ink other than black ink depending on the type of printing paper or the settings of the printer driver. So, color ink is consumed even when printing in black-and-white.

Similarly, color inks are also consumed along with black ink during print head cleaning when Black is specified for cleaning.

If Printing Is Faint or Uneven

- **Maintenance Procedure**
- **Printing the Nozzle Check Pattern**
- **Examining the Nozzle Check Pattern**
- **Cleaning the Print Head**
- **Deep Print Head Cleaning**
- **Aligning the Print Head**

Maintenance Procedure

If print results are blurred, colors are not printed correctly, or print results are unsatisfactory (e.g. misaligned printed ruled lines), perform the maintenance procedure below.

▶▶▶ Important

- Do not rinse or wipe the print head. This can cause trouble with the print head.

▶▶▶ Note

- Check if ink remains in the ink tanks.
 - ➔ [Checking Ink Level](#)
- If the **Alarm** lamp lights or flashes, see [When Error Occurred](#).
- For Windows, increasing the print quality in the printer driver settings may improve the print result.
 - ➔ [Changing the Print Quality and Correcting Image Data](#)

When the Print Results Are Blurred or Uneven:

Step1 Print the nozzle check pattern.

From the printer

- ➔ [Printing the Nozzle Check Pattern](#)

From the computer

- For Windows:
 - ➔ [Printing a Nozzle Check Pattern](#)
- For macOS:
 - ➔ [Printing a Nozzle Check Pattern](#)

Step2 [Examine the nozzle check pattern.](#)

If there are missing lines or horizontal white streaks in the pattern:



Step3 Clean the print head.

From the printer

- ➔ [Cleaning the Print Head](#)

From the computer

- For Windows:
 - ➔ [Cleaning the Print Heads](#)
- For macOS:
 - ➔ [Cleaning the Print Heads](#)

After cleaning the print head, print and examine the nozzle check pattern: ➡ [Step1](#)

If the problem is not resolved after performing from step 1 to step 3 twice:



Step4 Clean the print head deeply.

From the printer

➡ [Deep Print Head Cleaning](#)

From the computer

- For Windows:
 - ➡ [Cleaning the Print Heads](#)
- For macOS:
 - ➡ [Cleaning the Print Heads](#)

After deep print head cleaning, print and examine the nozzle check pattern: ➡ [Step1](#)

When you have performed the procedure until step 4 and the problem has not been resolved, turn off the power and clean the print head deeply again after 24 hours. Do not unplug the power cord when turning off the power.

If the problem is still not resolved, perform ink flush.

Ink flush consumes a great amount of ink. Frequent ink flush can rapidly consume ink, so perform ink flush only when necessary.

➤➤➤ Important

- If ink flush is performed when the remaining ink level is insufficient, it may cause a failure. Be sure to check the remaining ink level before performing ink flush.

From the printer

➡ [How to Perform Ink Flush](#)

From the computer

➡ [Ink Flush](#)

If the nozzle check pattern is not printed correctly even after performing ink flush, see [Check Installation of Print Head](#).

When the Print Results Are Not Even such as the Ruled Lines Are Misaligned:

Step Align the print head.

From the printer

➡ [Aligning the Print Head](#)

From the computer

- For Windows:

- ➡ Adjusting Print Head Position Automatically
- For macOS:
 - ➡ [Adjusting Print Head Position](#)

Printing the Nozzle Check Pattern

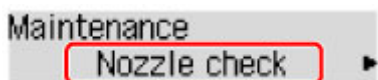
Print the nozzle check pattern to determine whether the ink ejects properly from the print head nozzle.

»» Note

- If the remaining ink level is low, the nozzle check pattern will not be printed correctly. If the remaining ink level is low, [refill ink tanks](#).

You need to prepare: a sheet of A4 or Letter-sized plain paper

1. [Check that printer is turned on.](#)
2. Load a sheet of A4 or Letter-sized plain paper in the cassette.
➔ [Loading Paper in the Cassette](#)
3. Press the **Setup** button, use the ◀ ▶ button to select **Maintenance**, and press the **OK** button.
➔ [LCD and Operation Panel](#)
4. Use the ◀ ▶ button to select **Nozzle check** and press the **OK** button.



The nozzle check pattern will be printed.

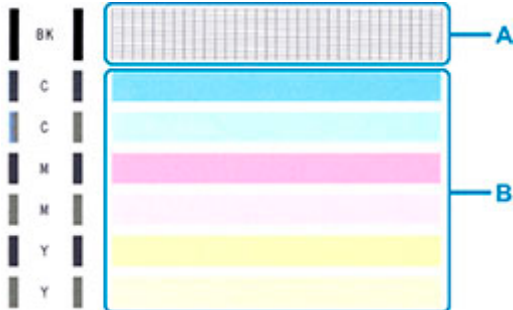
Do not perform any other operations until the printer completes the printing of the nozzle check pattern.

5. [Examine the nozzle check pattern.](#)

Examining the Nozzle Check Pattern

Examine the nozzle check pattern, and clean the print head if necessary.

1. Check if there are missing lines in the pattern A or horizontal white streaks in the pattern B.



If there are missing lines in the pattern A:



C: Good

D: Bad (lines are missing)

If there are horizontal white streaks in the pattern B:



E: Good

F: Bad (horizontal white streaks are present)

If any color in the pattern A or the pattern B is not printed:



(Example: Magenta pattern is not printed)

If one of the above is applied, [cleaning the print head](#) is required.

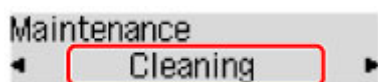
Cleaning the Print Head

Clean the print head if lines are missing or if horizontal white streaks are present in the printed nozzle check pattern. Cleaning unclogs the nozzles and restores the print head condition. Cleaning the print head consumes ink, so clean the print head only when necessary.

1. [Check that printer is turned on.](#)
2. Press the **Setup** button, use the ◀ ▶ button to select **Maintenance**, and press the **OK** button.

➔ [LCD and Operation Panel](#)

3. Use the ◀ ▶ button to select **Cleaning** and then press the **OK** button.



The printer starts cleaning the print head.

Do not perform any other operations until the printer completes the cleaning of the print head. This takes about 2 minutes.

4. Check the print head condition.

To check the print head condition, [print the nozzle check pattern](#).

▶▶▶ Note

- If the problem is not resolved after cleaning the print head twice, [clean the print head deeply](#).

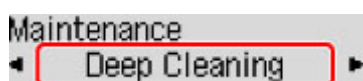
Deep Print Head Cleaning

If print quality does not improve by the standard cleaning of the print head, clean the print head deeply. Cleaning the print head deeply consumes more ink than the standard cleaning of the print head, so clean the print head deeply only when necessary.

1. [Check that printer is turned on.](#)
2. Press the **Setup** button, use the ◀ ▶ button to select **Maintenance**, and press the **OK** button.

➔ [LCD and Operation Panel](#)

3. Use ◀ ▶ button to select **Deep Cleaning** and press **OK** button.



The printer starts cleaning the print head deeply.

Do not perform any other operations until the printer completes the deep cleaning of the print head. This takes about 1 minute.

4. Check the print head condition.

To check the print head condition, [print the nozzle check pattern](#).

If the problem is not resolved, turn off the power and clean the print head deeply again after 24 hours. Do not unplug the power cord when turning off the power.

Aligning the Print Head

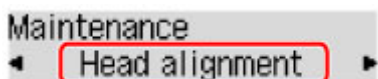
If printed ruled lines are misaligned or print results are otherwise unsatisfactory, adjust the print head position.

▶▶▶ Note

- If the remaining ink level is low, the print head alignment sheet will not be printed correctly.
If the remaining ink level is low, [refill ink tanks](#).
- If ink runs out as the print head alignment sheet is printed, an error message appears on the LCD.
➔ [When Error Occurred](#)

You need to prepare: two sheets of A4 or Letter-sized plain paper

1. [Check that printer is turned on.](#)
2. Load two sheets of A4 or Letter-sized plain paper in cassette.
➔ [Loading Paper in the Cassette](#)
3. Press the **Setup** button, use the ◀ ▶ button to select **Maintenance**, and press the **OK** button.
➔ [LCD and Operation Panel](#)
4. Use the ◀ ▶ button to select **Head alignment** and then press the **OK** button.



The print head alignment sheet is printed, and the print head is aligned automatically.

This takes about 4 to 5 minutes.

▶▶▶ Note

- If automatic print head alignment fails, an error message appears on the LCD.
➔ [When Error Occurred](#)

▶▶▶ Note

- For Windows, when the print results are still not satisfactory after adjusting the print head position as described above, adjust the print head position manually from the computer.
➔ [Adjusting Print Head Position Manually](#)
- To print and check the current head position adjustment values, select **Print align value** on the **Maintenance** screen.

Performing Maintenance Functions from Your Computer (macOS)

- **Opening Remote UI for Maintenance**
- **Cleaning the Print Heads**
- **Adjusting Print Head Position**

Opening Remote UI for Maintenance

You can perform maintenance of printer and change the settings from a Remote UI. The following is the procedure to open a Remote UI.

1. Open **System Preferences**, and select **Printers & Scanners**
2. Select your model from the printer list, and click **Options & Supplies...**
3. Click **Show Printer Webpage...** in **General** tab

Remote UI starts.

▶▶▶ Note

- The password may have to be entered after Remote UI starts. In such a case, enter the password and click **OK**. In case you do not know the password, click **Passwords and cookies**.

Related Topics

- ➔ [Cleaning the Print Heads](#)
- ➔ [Adjusting Print Head Position](#)
- ➔ Printing a Nozzle Check Pattern
- ➔ [Managing the Printer Power](#)
- ➔ [Changing the Printer Operation Mode](#)
- ➔ Reducing the Printer Noise

Cleaning the Print Heads

The print head Cleaning and Deep Cleaning functions allow you to clear up clogged print head nozzles. Perform print head Cleaning if printing results are not satisfactory or if a specific color fails to print, even though there is enough ink.

Cleaning

1. Select **Utilities** from [Remote UI](#)

2. Click **Cleaning**

Before performing Cleaning, check that the printer power is on. Check the following. Then, if necessary, perform Cleaning.

- [Is there ink remaining?](#)

3. Perform Cleaning

Click **Yes**.

Print head Cleaning starts.

4. Complete Cleaning

Next, the message for Nozzle Check pattern printing is displayed.

5. Check the results

To check whether the print quality has improved, click **Yes**. To cancel the check process, click **No**.

If cleaning the head once does not resolve the print head problem, clean it once more.

»» Important

- **Cleaning** consumes a small amount of ink. Cleaning the print head frequently will rapidly deplete your printer's ink supply. Perform Cleaning only when necessary.

Deep Cleaning

Deep Cleaning is more thorough than Cleaning. Perform Deep Cleaning when two **Cleaning** attempts do not resolve the print head problem.

1. Select **Utilities** from [Remote UI](#)

2. Click **Deep Cleaning**

Before performing Deep Cleaning, check that the printer power is on.

Check the following. Then, if necessary, perform Deep Cleaning.

- [Is there ink remaining?](#)

3. Perform Deep Cleaning

Click **Yes**.

Print head Deep Cleaning starts.

4. Complete Deep Cleaning

Next, the message for Nozzle Check pattern printing is displayed.

5. Check the results

To check whether the print quality has improved, click **Yes**. To cancel the check process, click **No**.

▶▶▶ Important

- **Deep Cleaning** consumes a larger amount of ink than **Cleaning**.
Cleaning the print head frequently will rapidly deplete your printer's ink supply. Perform **Cleaning** only when necessary.

▶▶▶ Note

- If there is no sign of improvement after **Deep Cleaning**, turn off the printer, wait 24 hours, and then perform **Deep Cleaning** again. If there is still no sign of improvement, the ink may have run out or the print head may be worn. For details on the remedial action to be taken, see "[Ink Does Not Come Out.](#)"

Related Topic

- ➔ [Printing a Nozzle Check Pattern](#)

Adjusting Print Head Position

Any error in the print head installation position can cause color and line shifts. Adjusting the print head position improves print results.

Print Head Alignment - Auto

1. Select **Utilities** from [Remote UI](#)

2. Click **Print Head Alignment - Auto**

A message appears.

3. Load paper in printer

In the cassette, load 2 sheets of plain A4-sized or Letter-sized paper.

4. Run head position adjustment

Check that the printer power is on, and then click **Yes**.

Head alignment starts. Proceed with the operations in accordance with the messages on the screen.

▶▶ Important

- Do not open the scanning unit / cover while printing is in progress; otherwise, printing will stop.

▶▶ Note

- You can print and check the current settings by clicking on **Print the head alignment value**.

Cleaning

- ▶ **Cleaning Exterior Surfaces**
- ▶ **Cleaning Platen and Document Cover**
- ▶ **Cleaning the ADF (Auto Document Feeder)**
- ▶ **Cleaning Paper Feed Rollers**
- ▶ **Cleaning Inside the Printer (Bottom Plate Cleaning)**
- ▶ **Cleaning Cassette Pads**

Cleaning Paper Feed Rollers

If the paper feed roller is dirty or paper powder is attached to it, paper may not be fed properly.

In this case, clean the paper feed roller. Cleaning will wear out the paper feed roller, so perform this only when necessary.

You need to prepare: three sheets of A4 or Letter-sized plain paper

1. [Check that printer is turned on.](#)
2. Remove any paper from paper source to clean rollers.

▶▶▶ Note

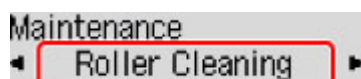
- If a message appears on the screen, check it and then press the **OK** button.

3. Press the **Setup** button, use the ◀ ▶ button to select **Maintenance**, and press the **OK** button.

➔ [LCD and Operation Panel](#)

4. Clean the paper feed rollers without paper.

1. Use ◀ ▶ button to select **Roller Cleaning** and press **OK** button.



2. Use ◀ ▶ button to select paper source (**Cassette** or **Rear tray**) to clean rollers and press **OK** button.

The paper feed roller will rotate as it is cleaned without paper.

5. Clean the paper feed rollers with paper.

1. Make sure paper feed rollers have stopped rotating, and then load three sheets of A4 or Letter-sized plain paper in paper source selected in step 4.

➔ [Loading Paper in the Rear Tray](#)

➔ [Loading Paper in the Cassette](#)

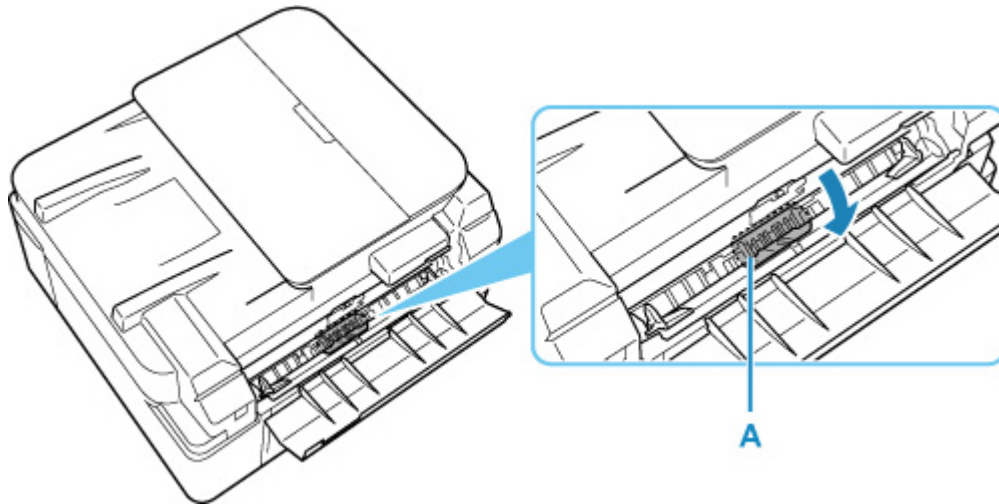
2. Press the **OK** button.

The printer starts cleaning. The cleaning will be complete when the paper is ejected.

If the problem is still not resolved with the operation described above, follow the operation below.

1. Turn off the power and then unplug the power cord.
2. While rotating the paper feed rollers (A) located inside the rear tray more than two laps, wipe them with a cloth tightly squeezed after moistening.

Do not touch the paper feed rollers with your fingers. Paper feeding performance may be degraded.



3. Turn on the power, then clean the paper feed rollers again.

If the problem is not resolved after cleaning the paper feed roller, contact your nearest Canon service center to request a repair.

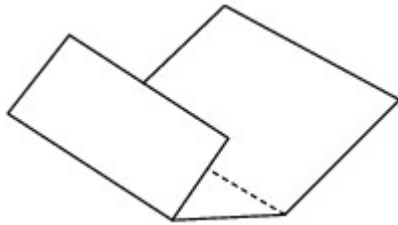
Cleaning Inside the Printer (Bottom Plate Cleaning)

Remove stains from the inside of the printer. If the inside of the printer becomes dirty, printed paper may get dirty, so we recommend performing cleaning regularly.

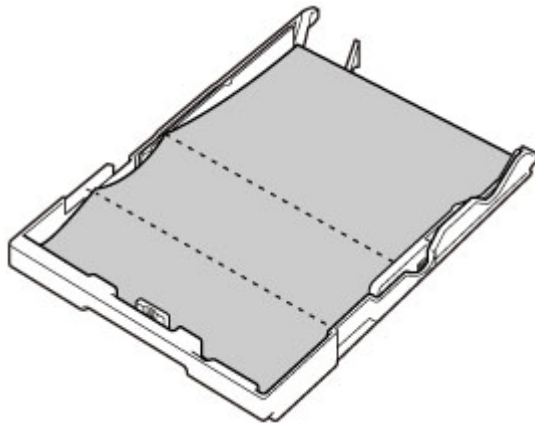
You need to prepare: a sheet of A4 or Letter-sized plain paper*

* Be sure to use a new piece of paper.

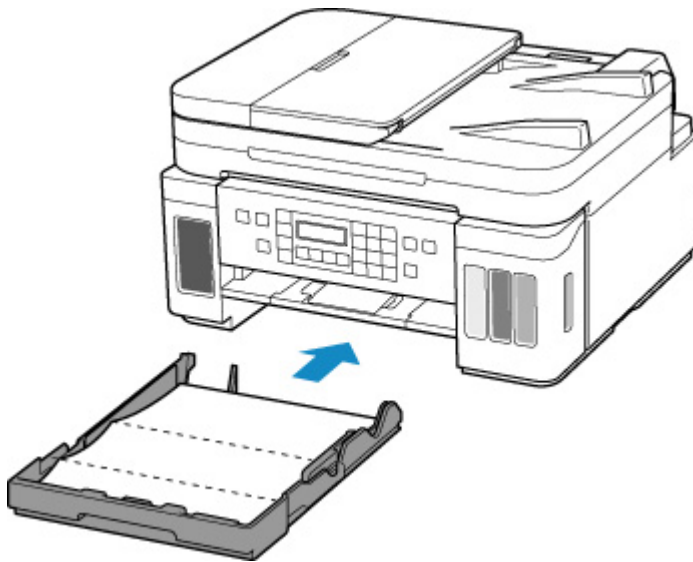
1. Make sure that the power is turned on, then remove any paper from the cassette.
2. Prepare paper.
 1. Fold a single sheet of A4 or Letter-sized plain paper in half widthwise, then unfold the paper.
 2. Fold one side of the opened paper in another half, aligning the edge with the center crease, and then unfold the paper.



3. Load only this sheet of paper in the cassette with the ridges of the creases facing up and the edge of the half with no crease facing to the far side.



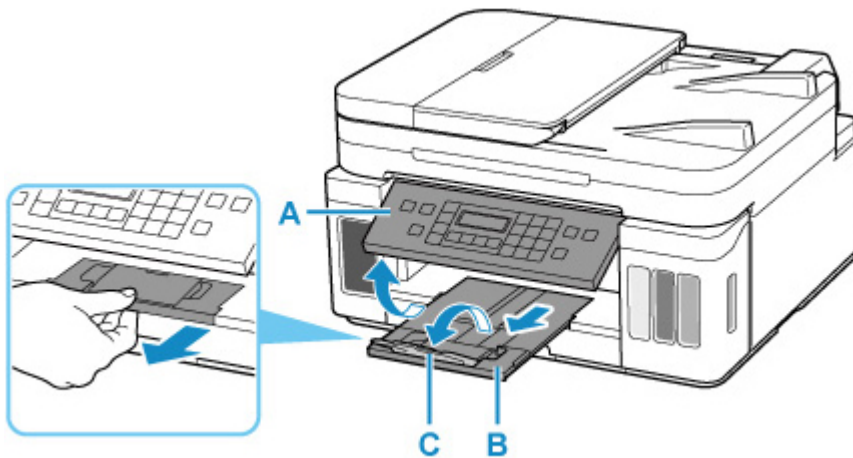
4. Insert cassette into printer.



After inserting the cassette into the printer, the paper information registration screen is displayed on the LCD. Select **A4** or **Letter** for **Size**.

Size: *A4
 Type: *Plain paper

5. Open operation panel (A), pull out paper output tray (B), and then open output tray extension (C).



3. Press the **Setup** button, use the ◀ ▶ button to select **Maintenance**, and press the **OK** button.

➔ [LCD and Operation Panel](#)

4. Use ◀ ▶ button to select **Btm Plate Cleaning** and press **OK** button.

Maintenance
 ◀ Btm Plate Cleaning ▶

The paper cleans the inside of the printer as it feeds through the printer.

Check the folded parts of the ejected paper. If they are smudged with ink, perform Bottom Plate Cleaning again.

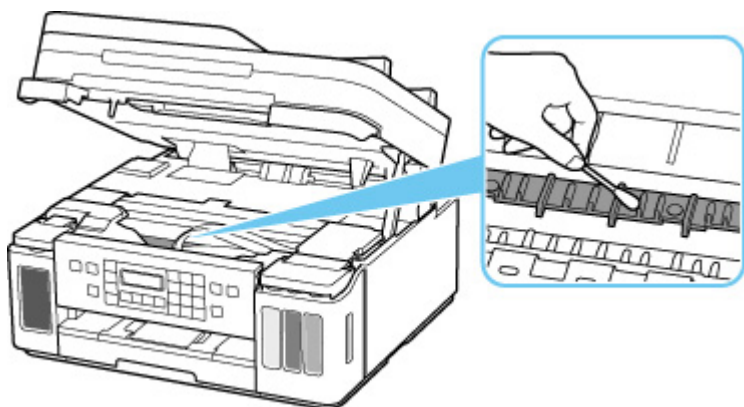
▶▶▶ Note

- When performing Bottom Plate Cleaning again, be sure to use a new piece of paper.

If the problem is not resolved after performing cleaning again, the protrusions inside the printer may be stained. Wipe off any ink from the protrusions using a cotton swab or the like.

▶▶▶ Important

- Before cleaning the printer, turn it off and unplug it.
 - The power cannot be turned off while the printer is sending or receiving a fax, or when unsent faxes are stored in the printer's memory. Make sure the printer has finished sending or receiving faxes before turning it off.
 - Remember that faxes cannot be sent or received while the printer is off.
 - Unplugging the printer will reset the date/time setting and erase all documents in the printer's memory. Send faxes or print documents as needed before unplugging the printer.



Overview

▶ Safety

- Safety Precautions
- Regulatory Information
- WEEE (EU & EEA)

▶ Handling Precautions

- Canceling Print Jobs
- Legal Restrictions on Scanning/Copying
- Printer Handling Precautions
- Transporting Your Printer
- When Repairing, Lending, or Disposing of the Printer
- Keeping Print Quality High

▶ Main Components and Their Use

- Main Components
- Power Supply
- LCD and Operation Panel
- Entering Numbers, Letters, and Symbols

▶ Changing Settings

- Changing Printer Settings from Your Computer (Windows)
- Changing Printer Settings from Your Computer (macOS)
- Changing Settings from Operation Panel

▶ Specifications

Safety

- ▶ **Safety Precautions**
- ▶ **Regulatory Information**
- ▶ **WEEE (EU&EEA)**

Safety Precautions

Safety Precautions

- This manual contains important notices and safety precautions about your printer.

Do not use the printer in ways other than described in the accompanying manuals, as this may result in fire, electric shock or other unexpected accidents.

- Safety standard marks and declarations are only valid for the supported voltages and frequencies in the applicable countries or regions.

Warning

- Users with cardiac pacemakers:

This product emits a low-level magnetic flux. If you feel abnormalities, please move away from the product and consult your doctor.

- Do not use the printer in the following cases:

Stop use immediately, unplug the printer and call your local service representative to request repair.

- Metal objects or liquids are spilt inside the printer.
 - The printer emits smoke, strange odors, or makes unusual noises.
 - The power cord or plug overheat or are broken, bent or damaged in any way.
- Failure to adhere to the following may result in fire, electric shock, or injury:
 - Do not place product close to the flammable solvents such as alcohol or thinner.
 - Do not open or modify the printer.
 - Use only the power cord/cables that came with your printer. Do not use these cables with other devices.
 - Do not plug in to voltages or frequencies other than those specified.
 - Plug the power cord into the socket completely.
 - Do not plug in or unplug the power cord with wet hands.
 - Do not damage the power cord by twisting, bundling, tying, pulling or excessively bending it.
 - Do not place heavy objects on the power cord.
 - Do not connect multiple power cords to a single electrical outlet. Do not use multiple extension cords.
 - Do not leave the printer plugged in during lightning storms.
 - Always unplug the power cord and cables when cleaning. Do not use flammable sprays or liquids such as alcohol or thinners for cleaning.
 - Unplug the power cord once a month to check that it is not overheating, rusted, bent, scratched, split, or otherwise damaged.

Caution

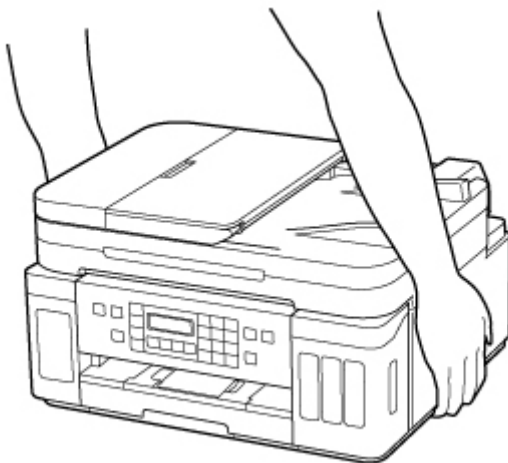
- Do not put your hands inside the printer while printing.
- Do not touch the metal parts of the print head immediately after printing.
- Ink bottles
 - Keep out of reach of children.
 - Do not drink ink.

If ink is accidentally licked or swallowed, rinse out your mouth or drink one or two glasses of

water and obtain medical advice immediately.

If ink gets into your eyes, flush them with water right away, and obtain medical advice immediately.

- If ink gets on your skin, wash the area with soap and water immediately. If irritation to your skin persists, obtain medical advice immediately.
 - When you store ink bottles, close bottle caps completely and place bottles in standing position. If the ink bottles are laid down, ink may leak.
 - When refilling ink tanks, take sufficient care to prevent ink from spattering onto surroundings.
 - Ink may stain clothes or other belongings permanently. Washing may not remove ink stains.
 - Do not leave ink bottles in areas exposed to high temperature, such as near fire or a heater or in a car. Bottles may warp and cause ink leakage or ink may become poor quality.
 - Do not subject ink bottles to impacts. Ink bottles may be damaged or bottle caps may come off by such impact, and ink may leak.
 - Do not transfer ink to other containers. This may result in accidental ingestion, inappropriate use, or poor ink quality.
- Moving the printer
Do not hold the printer by the cassette. Hold the printer by its sides and carry it with both hands.



General Notices

Choosing a Location

Refer to "[Specifications](#)" in the Online manual for details on operating environment.

- Do not install the printer in a location that is unstable or subject to excessive vibration.
- Do not install the printer in locations that get very hot (direct sunlight, or close to a heating source), very humid or dusty locations, or outdoors.
- Do not place the printer on a thick rug or carpet.
- Do not place the printer flush against a wall.

Power Supply

- Keep the area around the power outlet clear at all times so you can easily unplug the power cord if necessary.
- Never remove the plug by pulling on the cord.

General Notices

- Do not tilt the printer, stand it on end, or turn it upside down. This may cause ink to leak.
- Do not place anything on top of the printer. Be especially careful to avoid metal objects such as paper clips and staples, and containers holding flammable liquids such as alcohol or thinner.
- Be sure to observe the following when loading the original on the platen. Failure to observe the following may cause the scanner to malfunction or the platen glass to break.
 - Do not place any objects weighing 4.4 lb (2.0 kg) or more on the platen glass.
 - Do not put any pressure of 4.4 lb (2.0 kg) or more on the platen glass, such as pressing down the original.
- Modifying or dismantling the print head or ink bottles, such as by putting holes in them, could cause the ink to leak out and cause a malfunction. We recommend that you do not modify or dismantle them.
- Do not put the print head or ink bottles into a fire.

Regulatory Information

IMPORTANT SAFETY INSTRUCTIONS

SAVE THESE INSTRUCTIONS

When using your telephone equipment, basic safety precautions should always be followed to reduce the risk of fire, electric shock and injury to persons, including the following:

1. Do not use this product near water, for example, near a bath tub, wash bowl, kitchen sink or laundry tub, in a wet basement or near a swimming pool.
2. Avoid using this product during an electrical storm. There may be a remote risk of electric shock from lightning.
3. Do not use this product to report a gas leak in the vicinity of the leak.

"CAUTION - To reduce the risk of fire, use only No. 26 AWG or larger telecommunication line cord."

IMPORTANTES MESURES DE SÉCURITÉ

CONSERVER CES INSTRUCTIONS

Certaines mesures de sécurité doivent être prises pendant l'utilisation de matériel téléphonique afin de réduire les risques d'incendie, de choc électrique et de blessures.

En voici quelquesunes :

1. Ne pas utiliser l'appareil près de l'eau, p.ex., près d'une baignoire, d'un lavabo, d'un évier de cuisine, d'un bac à laver, dans un sous-sol humide ou près d'une piscine.
2. Éviter d'utiliser l'appareil pendant un orage électrique. Ceci peut présenter un risque de choc électrique causé par la foudre.
3. Ne pas utiliser l'appareil pour signaler une fuite de gaz s'il est situé près de la fuite.

"ATTENTION - Pour réduire les risques d'incendie, utiliser uniquement des conducteurs de télécommunications 26 AWG au de section supérieure."

Users in the U.S.A.

FCC Notice (U.S.A. Only)

For 120V, 60Hz model

Model Number: K10497 (Contains FCC Approved WLAN Module K30365)

This device complies with Part 15 of the FCC Rules. Operation is subject to the following two conditions:

(1) This device may not cause harmful interference, and (2) this device must accept any interference received, including interference that may cause undesired operation.

Note: This equipment has been tested and found to comply with the limits for a Class B digital device, pursuant to Part 15 of the FCC Rules. These limits are designed to provide reasonable protection against harmful interference in a residential installation. This equipment generates, uses and can radiate radio frequency energy and, if not installed and used in accordance with the instructions, may cause harmful interference to radio communications.

However, there is no guarantee that interference will not occur in a particular installation. If this equipment does cause harmful interference to radio or television reception, which can be determined by turning the

equipment off and on, the user is encouraged to try to correct the interference by one or more of the following measures:

- Reorient or relocate the receiving antenna.
- Increase the separation between the equipment and receiver.
- Connect the equipment into an outlet on a circuit different from that to which the receiver is connected.
- Consult the dealer or an experienced radio/TV technician for help.

Use of a shielded cable is required to comply with Class B limits in Subpart B of Part 15 of the FCC Rules.

Do not make any changes or modifications to the equipment unless otherwise specified in the manual. If such changes or modifications should be made, you could be required to stop operation of the equipment.

Changes or modifications not expressly approved by the party responsible for compliance could void the user's authority to operate equipment.

This transmitter must not be co-located or operating in conjunction with any other antenna or transmitter.

The equipment complies with FCC radiation exposure limits for uncontrolled equipment. This equipment should be installed and operated with minimum distance at least 20cm between the radiator and persons body (excluding extremities: hands, wrists, feet and ankles) and must not be colocated or operated with any other antenna or transmitter.

Canon U.S.A., Inc.
One Canon Park
Melville, New York 11747
1-800-652-2666

Interference

Do not use the printer around medical equipment or other electronic devices. Signals from the printer may interfere with the correct operation of these devices.

Pre-Installation Requirements

Order Information

When ordering service from the telephone company for this equipment, the following may be required.

Universal Service Order Code (USOC): RJ11C

The Facility Interface Code (FIC): 02LS2

Service Order Code (SOC): 9.0F

Connection of the Equipment

This equipment complies with Part 68 of the FCC rules and the requirements adopted by the ACTA.

A label on this equipment contains, among other information, a product identifier in the format US:AAAEQ##TXXXX. If requested, this number must be provided to the telephone company.

The REN is used to determine the number of devices that may be connected to a telephone line.

Excessive RENs on a telephone line may result in the devices not ringing in response to an incoming call. In most but not all areas, the sum of RENs should not exceed five (5.0). To be certain of the number of devices that may be connected to a line, as determined by the total RENs, contact the local telephone company. The REN for this product is part of the product identifier that has the format US:AAAEQ##TXXXX. The digits represented by ## are the REN without a decimal point (e.g., 03 is a REN of 0.3).

A plug and jack used to connect this equipment to the premises wiring and telephone network must comply with the applicable FCC Part 68 rules and requirements adopted by the ACTA. A compliant telephone cord and modular plug is provided with this product. It is designed to be connected to a compatible modular jack that is also compliant. See installation instructions for details.

Connection to party lines is subjected to state tariffs. Contact the state public utility commission, public service commission or corporation commission for information.

If your home has specially wired alarm equipment connected to the telephone line, ensure the installation of this equipment does not disable your alarm equipment. If you have questions about what will disable alarm equipment, consult your telephone company or a qualified installer.

In Case of Equipment Malfunction

Should any malfunction occur which cannot be corrected by the procedures described in the Online Manual, disconnect the equipment from the telephone line cable, turn off the power and disconnect the power cord. The telephone line cable should not be reconnected or the main power switch turned ON until the problem is completely resolved. Users should contact their local authorized Canon Facsimile Service Dealer for the servicing of equipment.

Information regarding Authorized Service Facility locations can be obtained by calling the Canon Customer Center.

Rights of the Telephone Company

If this equipment causes harm to the telephone network, the telephone company may temporarily disconnect service. The telephone company also retains the right to make changes in facilities and services that may affect the operation of this equipment. When such changes are necessary, the telephone company is required to give adequate prior notice to the user. However, if advance notice is not possible, the telephone company will notify the customer as soon as possible. Also, the customer will be advised of his/her right to file a complaint with the FCC if he/she believes it is necessary.

Warning

The Telephone Consumer Protection Act of 1991 makes it unlawful for any person to use a computer or other electronic device to send any message via a telephone FAX machine unless such message clearly contains in a margin at the top or bottom of each transmitted page, or on the first page of the transmission, the date and time it is sent and an identification of the business or other entity, or other individual sending the message and the telephone number of the sending machine or such business, other entity, or individual.

In order to program this information into your FAX machine, you should complete the procedure to register your name, unit's telephone number, time, and date. Refer to the Online Manual.

WEEE (EU&EEA)

Only for European Union and EEA (Norway, Iceland and Liechtenstein)



This symbol indicates that this product is not to be disposed of with your household waste, according to the WEEE Directive (2012/19/EU) and national legislation. This product should be handed over to a designated collection point, e.g., on an authorized one-for-one basis when you buy a new similar product or to an authorized collection site for recycling waste electrical and electronic equipment (EEE). Improper handling of this type of waste could have a possible negative impact on the environment and human health due to potentially hazardous substances that are generally associated with EEE. At the same time, your cooperation in the correct disposal of this product will contribute to the effective usage of natural resources. For more information about where you can drop off your waste equipment for recycling, please contact your local city office, waste authority, approved WEEE scheme or your household waste disposal service. For more information regarding return and recycling of WEEE products, please visit www.canon-europe.com/weee.

Nur für Europäische Union und EWR (Norwegen, Island und Liechtenstein)



Dieses Symbol weist darauf hin, dass dieses Produkt gemäß der EU-Richtlinie über Elektro- und Elektronik-Altgeräte (2012/19/EU) und nationalen Gesetzen nicht über den Hausmüll entsorgt werden darf. Dieses Produkt muss bei einer dafür vorgesehenen Sammelstelle abgegeben werden. Dies kann z. B. durch Rückgabe beim Kauf eines ähnlichen Produkts oder durch Abgabe bei einer autorisierten Sammelstelle für die Wiederaufbereitung von Elektro- und Elektronik-Altgeräten geschehen. Der unsachgemäße Umgang mit Altgeräten kann aufgrund potentiell gefährlicher Stoffe, die generell mit Elektro- und Elektronik-Altgeräten in Verbindung stehen, negative Auswirkungen auf die Umwelt und die menschliche Gesundheit haben. Durch die umweltgerechte Entsorgung dieses Produkts tragen Sie außerdem zu einer effektiven Nutzung natürlicher Ressourcen bei. Informationen zu Sammelstellen für Altgeräte erhalten Sie bei Ihrer Stadtverwaltung, dem öffentlich-rechtlichen Entsorgungsträger, einer autorisierten Stelle für die Entsorgung von Elektro- und Elektronik-Altgeräten oder Ihrem örtlichen Entsorgungsunternehmen. Weitere Informationen zur Rückgabe und Entsorgung von Elektro- und Elektronik-Altgeräten finden Sie unter www.canon-europe.com/weee.

Union Européenne, Norvège, Islande et Liechtenstein uniquement.



Ce symbole indique que ce produit ne doit pas être jeté avec les ordures ménagères, conformément à la directive DEEE (2012/19/UE) et à la réglementation de votre pays. Ce produit doit être confié au distributeur à chaque fois que vous achetez un produit neuf similaire, ou à un point de collecte mis en place par les collectivités locales pour le recyclage des Déchets des Équipements Électriques et Électroniques (DEEE). Le traitement inapproprié de ce type de déchet risque d'avoir des répercussions sur l'environnement et la santé humaine, du fait de la présence de substances potentiellement dangereuses généralement associées aux équipements électriques et électroniques. Parallèlement, votre entière coopération dans le cadre de la mise au rebut correcte de ce produit favorisera une meilleure utilisation des ressources naturelles. Pour plus d'informations sur les points de collecte des équipements à recycler, contactez vos services municipaux, les autorités locales compétentes, le plan DEEE approuvé ou le service d'enlèvement des ordures ménagères. Pour plus d'informations sur le retour et le recyclage des produits DEEE, consultez le site: www.canon-europe.com/weee.

Uitsluitend bestemd voor de Europese Unie en EER (Noorwegen, IJsland en Liechtenstein)



Dit symbool geeft aan dat dit product in overeenstemming met de AEEA-richtlijn (2012/19/EU) en de nationale wetgeving niet mag worden afgevoerd met het huishoudelijk afval. Dit product moet worden ingeleverd bij een aangewezen, geautoriseerd inzamelpunt, bijvoorbeeld wanneer u een nieuw gelijksoortig product aanschaft, of bij een geautoriseerd inzamelpunt voor hergebruik van elektrische en elektronische apparatuur (EEA). Een onjuiste afvoer van dit type afval kan leiden tot negatieve effecten op het milieu en de volksgezondheid als gevolg van potentieel gevaarlijke stoffen die veel voorkomen in elektrische en elektronische apparatuur (EEA). Bovendien werkt u door een juiste afvoer van dit product mee aan het effectieve gebruik van natuurlijke hulpbronnen. Voor meer informatie over waar u uw afgedankte apparatuur kunt inleveren voor recycling kunt u contact opnemen met het gemeentehuis in uw woonplaats, de reinigingsdienst, of het afvalverwerkingsbedrijf. U kunt ook het schema voor de afvoer van afgedankte elektrische en elektronische apparatuur (AEEA) raadplegen. Ga voor meer informatie over het verzamelen en recyclen van afgedankte elektrische en elektronische apparatuur naar www.canon-europe.com/weee.

Sólo para la Unión Europea y el Área Económica Europea (Noruega, Islandia y Liechtenstein)



Este símbolo indica que este producto no debe desecharse con los desperdicios domésticos, de acuerdo con la directiva RAEE (2012/19/UE) y con la legislación nacional. Este producto debe entregarse en uno de los puntos de recogida designados, como por ejemplo, entregándolo en el lugar de venta al comprar un producto similar o depositándolo en un lugar de recogida autorizado para el reciclado de residuos de aparatos eléctricos y electrónicos (RAEE). La manipulación inapropiada de este tipo de desechos podría tener un impacto negativo en el entorno y la salud humana, debido a las sustancias potencialmente

peligrosas que normalmente están asociadas con los RAEE. Al mismo tiempo, su cooperación a la hora de desechar correctamente este producto contribuirá a la utilización eficaz de los recursos naturales. Para más información sobre cómo puede eliminar el equipo para su reciclado, póngase en contacto con las autoridades locales, con las autoridades encargadas de los desechos, con un sistema de gestión RAEE autorizado o con el servicio de recogida de basuras doméstico. Si desea más información acerca de la devolución y reciclado de RAEE, visite la web www.canon-europe.com/weee.

Només per a la Unió Europea i a l'Espai Econòmic Europeu (Noruega, Islàndia i Liechtenstein)



Aquest símbol indica que aquest producte no s'ha de llençar a les escombraries de la llar, d'acord amb la Directiva RAEE (2012/19/UE) i la legislació nacional. Aquest producte s'hauria de lliurar en un dels punts de recollida designats, com per exemple, intercanviant-lo un per un en comprar un producte similar o lliurant-lo en un lloc de recollida autoritzat per al reciclatge de residus d'aparells elèctrics i electrònics (AEE). La manipulació inadequada d'aquest tipus de residus podria tenir un impacte negatiu en l'entorn i en la salut humana, a causa de les substàncies potencialment perilloses que normalment estan associades als AEE. Així mateix, la vostra cooperació a l'hora de llençar correctament aquest producte contribuirà a la utilització efectiva dels recursos naturals. Per a més informació sobre els punts on podeu lliurar aquest producte per procedir al seu reciclatge, adreceu-vos a la vostra oficina municipal, a les autoritats encarregades dels residus, al pla de residus homologat per la RAEE o al servei de recollida de deixalles domèstiques de la vostra localitat. Per a més informació sobre la devolució i el reciclatge de productes RAEE, visiteu www.canon-europe.com/weee.

Solo per Unione Europea e SEE (Norvegia, Islanda e Liechtenstein)



Questo simbolo indica che il prodotto deve essere oggetto di raccolta separata in conformità alla Direttiva RAEE (2012/19/UE) e alla normativa locale vigente. Il prodotto deve essere smaltito presso un centro di raccolta differenziata, un distributore autorizzato che applichi il principio dell'"uno contro uno", ovvero del ritiro della vecchia apparecchiatura elettrica al momento dell'acquisto di una nuova, o un impianto autorizzato al riciclaggio dei rifiuti di apparecchiature elettriche ed elettroniche. La gestione impropria di questo tipo di rifiuti può avere un impatto negativo sull'ambiente e sulla salute umana causato dalle sostanze potenzialmente pericolose che potrebbero essere contenute nelle apparecchiature elettriche ed elettroniche. Un corretto smaltimento di tali prodotti contribuirà inoltre a un uso efficace delle risorse naturali ed eviterà di incorrere nelle sanzioni amministrative di cui all'art. 255 e successivi del Decreto Legislativo n. 152/06. Per ulteriori informazioni sullo smaltimento e il recupero dei Rifiuti di Apparecchiature Elettriche ed Elettroniche, consultare la Direttiva RAEE, rivolgersi alle autorità competenti, oppure visitare il sito www.canon-europe.com/weee.

Apenas para a União Europeia e AEE (Noruega, Islândia e Liechtenstein)



Este símbolo indica que o produto não deve ser colocado no lixo doméstico, de acordo com a Directiva REEE (2012/19/UE) e a legislação nacional. Este produto deverá ser colocado num ponto de recolha designado, por exemplo, num local próprio autorizado quando adquirir um produto semelhante novo ou num local de recolha autorizado para reciclar resíduos de equipamentos eléctricos e electrónicos (EEE). O tratamento inadequado deste tipo de resíduo poderá causar um impacto negativo no ambiente e na saúde humana devido às substâncias potencialmente perigosas normalmente associadas aos equipamentos eléctricos e electrónicos. Simultaneamente, a sua cooperação no tratamento correcto deste produto contribuirá para a utilização eficaz dos recursos naturais. Para mais informações sobre os locais onde o equipamento poderá ser reciclado, contacte os serviços locais, a autoridade responsável pelos resíduos, o esquema REEE aprovado ou o serviço de tratamento de lixo doméstico. Para mais informações sobre a devolução e reciclagem de produtos REEE, vá a www.canon-europe.com/weee.

Gælder kun i Europæiske Union og EØS (Norge, Island og Liechtenstein)



Dette symbol angiver, at det pågældende produkt ikke må bortskaffes sammen med dagrenovation jf. direktivet om affald af elektrisk og elektronisk udstyr (WEEE) (2012/19/EU) og gældende national lovgivning. Det pågældende produkt skal afleveres på et nærmere specificeret indsamlingssted, f.eks. i overensstemmelse med en godkendt én-til-én-procedure, når du indkøber et nyt tilsvarende produkt, eller produktet skal afleveres på et godkendt indsamlingssted for elektronikaffald. Forkert håndtering af denne type affald kan medføre negative konsekvenser for miljøet og menneskers helbred på grund af de potentielt sundhedsskadelige stoffer, der generelt kan forefindes i elektrisk og elektronisk udstyr. Når du foretager korrekt bortskaffelse af det pågældende produkt, bidrager du til effektiv brug af naturressourcerne. Yderligere oplysninger om, hvor du kan bortskaffe dit elektronikaffald med henblik på genanvendelse, får du hos de kommunale renovationsmyndigheder. Yderligere oplysninger om returnering og genanvendelse af affald af elektrisk og elektronisk udstyr får du ved at besøge www.canon-europe.com/weee.

Μόνο για την Ευρωπαϊκή Ένωση και τον ΕΟΧ (Νορβηγία, Ισλανδία και Λιχτενστάιν)



Αυτό το σύμβολο υποδηλώνει ότι αυτό το προϊόν δεν πρέπει να απορρίπτεται μαζί με τα οικιακά απορρίμματα, σύμφωνα με την Οδηγία σχετικά με τα Απόβλητα Ηλεκτρικού και Ηλεκτρονικού Εξοπλισμού (ΑΗΗΕ) (2012/19/ΕΕ) και την εθνική σας νομοθεσία. Αυτό το προϊόν πρέπει να παραδίδεται σε καθορισμένο σημείο συλλογής, π.χ. σε μια εξουσιοδοτημένη βάση ανταλλαγής όταν αγοράζετε ένα νέο παρόμοιο προϊόν ή σε μια εξουσιοδοτημένη θέση συλλογής για την ανακύκλωση των αποβλήτων Ηλεκτρικού και Ηλεκτρονικού Εξοπλισμού (ΗΗΕ). Ο ακατάλληλος χειρισμός αυτού του τύπου αποβλήτων μπορεί να έχει αρνητικό αντίκτυπο στο περιβάλλον και την υγεία του ανθρώπου, λόγω δυνητικών επικίνδυνων ουσιών που γενικά συνδέονται με τον ΗΗΕ. Ταυτόχρονα, η συνεργασία σας όσον αφορά τη σωστή απόρριψη αυτού του προϊόντος θα συμβάλει στην αποτελεσματική χρήση των φυσικών πόρων. Για περισσότερες πληροφορίες σχετικά με τα σημεία όπου μπορείτε να απορρίψετε τον εξοπλισμό σας για ανακύκλωση, επικοινωνήστε με το τοπικό γραφείο της πόλης σας, την υπηρεσία απορριμμάτων, το εγκεκριμένο σχήμα ΑΗΗΕ ή την υπηρεσία απόρριψης οικιακών αποβλήτων. Για περισσότερες πληροφορίες σχετικά με την επιστροφή και την ανακύκλωση των προϊόντων ΑΗΗΕ, επισκεφθείτε την τοποθεσία www.canon-europe.com/weee.

Gjelder kun den europeiske union og EØS (Norge, Island og Liechtenstein)



Dette symbolet indikerer at dette produktet ikke skal kastes sammen med husholdningsavfall, i henhold til WEEE-direktiv (2012/19/EU) og nasjonal lov. Produktet må leveres til et dertil egnet innsamlingspunkt, det vil si på en autorisert en-til-en-basis når du kjøper et nytt lignende produkt, eller til et autorisert innsamlingssted for resirkulering av avfall fra elektrisk og elektronisk utstyr (EE-utstyr). Feil håndtering av denne typen avfall kan være miljø- og helseskadelig på grunn av potensielt skadelige stoffer som ofte brukes i EE-utstyr. Samtidig bidrar din innsats for korrekt avhending av produktet til effektiv bruk av naturressurser. Du kan få mer informasjon om hvor du kan avhende utrangert utstyr til resirkulering ved å kontakte lokale myndigheter, et godkjent WEEE-program eller husholdningens renovasjonsselskap. Du finner mer informasjon om retur og resirkulering av WEEE-produkter på www.canon-europe.com/weee.

Vain Euroopan unionin sekä ETA:n (Norja, Islanti ja Liechtenstein) alueelle.



Tämä tunnus osoittaa, että sähkö- ja elektroniikkalaiteromua koskeva direktiivi (SER-direktiivi, 2012/19/EU) sekä kansallinen lainsäädäntö kieltävät tuotteen hävittämisen talousjätteen mukana. Tuote on vietävä asianmukaiseen keräyspisteeseen, esimerkiksi kodinkoneliikkeeseen uutta vastaavaa tuotetta ostettaessa tai viralliseen sähkö- ja elektroniikkalaiteromun keräyspisteeseen. Sähkö- ja elektroniikkalaiteromun virheellinen käsittely voi vahingoittaa ympäristöä ja ihmisten terveyttä, koska laitteet saattavat sisältää ympäristölle ja terveydelle haitallisia aineita. Lisäksi tuotteen asianmukainen hävittäminen säästää luonnonvaroja. Lisätietoja sähkö- ja elektroniikkalaiteromun keräyspisteistä saat kaupunkien ja kuntien tiedotuksesta, jätehuoltoviranomaisilta, sähkö- ja elektroniikkalaiteromun

kierrätysjärjestelmän ylläpitäjältä ja jätehuoltoyhtiöltä. Lisätietoja sähkö- ja elektroniikkalaiteromun keräyksestä ja kierrätyksestä on osoitteessa www.canon-europe.com/weee.

Endast för Europeiska unionen och EES (Norge, Island och Liechtenstein)



Den här symbolen visar att produkten enligt WEEE-direktivet (2012/19/EU) och nationell lagstiftning inte får sorteras och slängas som hushållsavfall. Den här produkten ska lämnas in på en därför avsedd insamlingsplats, t.ex. på en återvinningsstation auktoriserad att hantera elektrisk och elektronisk utrustning (EE-utrustning) eller hos handlare som är auktoriserade att byta in varor då nya, motsvarande köps (en mot en). Olämplig hantering av avfall av den här typen kan ha en negativ inverkan på miljön och människors hälsa på grund av de potentiellt farliga ämnen som kan återfinnas i elektrisk och elektronisk utrustning. Din medverkan till en korrekt avfallshantering av den här produkten bidrar dessutom till en effektiv användning av naturresurserna. Kontakta ditt lokala kommunkontor, berörd myndighet, företag för avfallshantering eller ta del av en godkänd WEEE-organisation om du vill ha mer information om var du kan lämna den kasserade produkten för återvinning. För mer information om inlämning och återvinning av WEEE-produkter, se www.canon-europe.com/weee.

Pouze Evropská unie a EHP (Norsko, Island a Lichtenštejnsko)



Tento symbol znamená, že podle směrnice o OEEZ (2012/19/EU) a podle vnitrostátních právních předpisů nemá být tento výrobek likvidován s odpadem z domácností. Tento výrobek má být vrácen do sběrného místa, např. v rámci autorizovaného systému odběru jednoho výrobku za jeden nově prodaný podobný výrobek nebo v autorizovaném sběrném místě pro recyklaci odpadních elektrických a elektronických zařízení (OEEZ). Nevhodné nakládání s tímto druhem odpadu by mohlo mít negativní dopad na životní prostředí a lidské zdraví, protože elektrická a elektronická zařízení zpravidla obsahují potenciálně nebezpečné látky. Vaše spolupráce na správné likvidaci tohoto výrobku současně napomůže efektivnímu využívání přírodních zdrojů. Další informace o místech sběru vašeho odpadního zařízení k recyklaci vám sdělí místní úřad vaší obce, správní orgán vykonávající dozor nad likvidací odpadu, sběrný OEEZ nebo služba pro odvoz komunálního odpadu. Další informace týkající se vracení a recyklace OEEZ naleznete na adrese www.canon-europe.com/weee.

Csak az Európai Unió és az EGT (Norvégia, Izland és Liechtenstein) országáiban



Ez a szimbólum azt jelzi, hogy a helyi törvények és a WEEE-irányelv (2012/19/EU) szerint a termék nem kezelhető háztartási hulladékként. A terméket a kijelölt nyilvános gyűjtőpontokon kell leadni, például hasonló cserekészülék vásárlásakor, illetve bármelyik, elektromos és elektronikai berendezésekből származó hulladék (WEEE) átvételére feljogosított gyűjtőponton. Az ilyen jellegű hulladékok a nem megfelelő kezelés esetén a bennük található veszélyes anyagok révén ártalmasak lehetnek a környezetre és az emberek egészségére. Továbbá, a termékből származó hulladék megfelelő kezelésével hozzájárulhat a természetes nyersanyagok hatékonyabb hasznosításához. A berendezésekből származó, újrahasznosítható hulladékok elhelyezésére vonatkozó további tudnivalókért forduljon a helyi önkormányzathoz, a közterület-fenntartó vállalathoz, a háztartási hulladék begyűjtését végző vállalathoz, illetve a hivatalos WEEE-képviselőhöz. További tudnivalókat a WEEE-termékek visszajuttatásáról és újrahasznosításáról a www.canon-europe.com/weee.

Tylko dla krajów Unii Europejskiej oraz EOG (Norwegia, Islandia i Liechtenstein)



Ten symbol oznacza, że zgodnie z dyrektywą WEEE dotyczącą zużytego sprzętu elektrycznego i elektronicznego (2012/19/UE) oraz przepisami lokalnymi nie należy wyrzucać tego produktu razem z odpadami gospodarstwa domowego. Produkt należy przekazać do wyznaczonego punktu gromadzenia odpadów, np. firmie, od której kupowany jest nowy, podobny produkt lub do autoryzowanego punktu gromadzenia zużytego sprzętu elektrycznego i elektronicznego w celu poddania go recyklingowi. Usuwanie tego typu odpadów w nieodpowiedni sposób może mieć negatywny wpływ na otoczenie i zdrowie innych osób ze względu na niebezpieczne substancje stosowane w takim sprzęcie. Jednocześnie pozbycie się zużytego sprzętu w zalecany sposób przyczynia się do właściwego wykorzystania zasobów naturalnych. Aby uzyskać więcej informacji na temat punktów, do których można dostarczyć sprzęt do recyklingu, prosimy skontaktować się z lokalnym urzędem miasta, zakładem utylizacji odpadów, skorzystać z instrukcji zatwierdzonej dyrektywą WEEE lub skontaktować się z przedsiębiorstwem zajmującym się wywozem odpadów domowych. Więcej informacji o zwracaniu i recyklingu zużytego sprzętu elektrycznego i elektronicznego znajduje się w witrynie www.canon-europe.com/weee.

Platí len pre štáty Európskej únie a EHP (Nórsko, Island a Lichtenštajnsko)



Tento symbol znamená, že podľa Smernice 2012/19/EÚ o odpade z elektrických a elektronických zariadení (OEEZ) a podľa platnej legislatívy Slovenskej republiky sa tento produkt nesmie likvidovať spolu s komunálnym odpadom. Produkt je potrebné odovzdať do určenej zberne, napr. prostredníctvom výmeny za kúpu nového podobného produktu, alebo na autorizované zberné miesto, ktoré spracúva odpad z elektrických a elektronických zariadení (EEZ). Nesprávna manipulácia s takýmto typom odpadu môže mať negatívny vplyv na životné prostredie a ľudské zdravie, pretože elektrické a elektronické zariadenia obsahujú potenciálne nebezpečné látky. Spoluprácou na správnej likvidácii produktu prispějete

k účinnému využití prírodných zdrojov. Ďalšie informácie o mieste recyklácie opotrebovaných zariadení získate od miestneho úradu, úradu životného prostredia, zo schváleného plánu OEEZ alebo od spoločnosti, ktorá zaisťuje likvidáciu komunálneho odpadu. Viac informácií nájdete aj na webovej stránke: www.canon-europe.com/weee.

Üksnes Euroopa Liit ja EMP (Norra, Island ja Liechtenstein)



See sümbol näitab, et antud toodet ei tohi vastavalt elektri- ja elektroonikaseadmete jäätmeid käsitlevale direktiivile (2012/19/EL) ning teie riigis kehtivatele õigusaktidele utiliseerida koos olmejäätmetega. Antud toode tuleb anda selleks määratud kogumispunkti, nt müügipunkt, mis on volitatud üks ühe vastu vahetama, kui ostate uue sarnase toote, või elektri- ja elektroonikaseadmete jäätmete ümbertöötlemiseks mõeldud kogumispunkti. Täiendava teabe saamiseks elektri- ja elektroonikaseadmetest tekkinud jäätmete tagastamise ja ümbertöötlemise kohta võtke ühendust kohaliku omavalitsusega, asjakohase valitsusasutusega, asjakohase tootjavastutusorganisatsiooniga või olmejäätmete käitlejaga. Lisateavet leitate ka Interneti-leheküljelt www.canon-europe.com/weee.

Tikai Eiropas Savienībai un EEZ (Norvēģijai, Islandei un Lihtenšteinai)



Šis simbols norāda, ka atbilstoši ES Direktīvai (2012/19/ES) par elektrisko un elektronisko iekārtu atkritumiem (EEIA) un vietējiem tiesību aktiem no šī izstrādājuma nedrīkst atbrīvoties, izmetot to kopā ar sadzīves atkritumiem. Šis izstrādājums ir jānodod piemērotā savākšanas vietā, piemēram, apstiprinātā veikalā, kur iegādājaties līdzīgu jaunu produktu un atstājat veco, vai apstiprinātā vietā izlietotu elektrisko un elektronisko iekārtu pārstrādei. Nepareiza šāda veida atkritumu apsaimniekošana var apdraudēt vidi un cilvēka veselību tādu iespējami bīstamu vielu dēļ, kas parasti ir elektriskajās un elektroniskajās iekārtās. Turklāt jūsu atbalsts pareizā šāda veida atkritumu apsaimniekošanā sekmēs efektīvu dabas resursu izmantošanu. Lai saņemtu pilnīgāku informāciju par vietām, kur izlietoto iekārtu var nodot pārstrādei, sazinieties ar vietējo pašvaldību, atkritumu savākšanas atbildīgo dienestu, pilnvarotu EEIA struktūru vai sadzīves atkritumu apsaimniekošanas iestādi. Lai saņemtu plašāku informāciju par elektrisko un elektronisko iekārtu nodošanu pārstrādei, apmeklējiet tīmekļa vietni www.canon-europe.com/weee.

Tik Europos Sąjungai ir EEE (Norvegijai, Islandijai ir Lichtenšteinui)



Šis ženkla reiškia, kad gaminio negalima išmesti su buitinėmis atliekomis, kaip yra nustatyta Direktyvoje (2012/19/ES) ir nacionaliniuose teisė aktuose dėl EEI atliekų tvarkymo. Šį gaminį reikia atiduoti į tam skirtą surinkimo punktą, pvz., pagal patvirtintą keitimo sistemą, kai perkamas panašus gaminytis, arba į

elektros ir elektroninės įrangos (EEI) atliekų perdirbimo punktą. Netinkamas tokios rūšies atliekų tvarkymas dėl elektros ir elektroninėje įrangoje esančių pavojingų medžiagų gali pakenkti aplinkai ir žmonių sveikatai. Padėdami užtikrinti tinkamą šio gaminio šalinimo tvarką, kartu prisidėsite prie veiksmingo gamtos išteklių naudojimo. Jei reikia daugiau informacijos, kaip šalinti tokias atliekas, kad jos būtų toliau perdirbamos, kreipkitės į savo miesto valdžios institucijas, atliekų tvarkymo organizacijas, patvirtintų EEI atliekų sistemų arba jūsų buitinių atliekų tvarkymo įstaigų atstovus. Išsamesnės informacijos apie EEI atliekų grąžinimo ir perdirbimo tvarką galite rasti apsilankę tinklalapyje www.canon-europe.com/weee.

Samo za Evropsko unijo in EGP (Norveška, Islandija in Lihtenštajn)



Ta simbol pomeni, da tega izdelka v skladu z direktivo OEEO (2012/19/EU) in državno zakonodajo ne smete odvreči v gospodinjске odpadke. Ta izdelek morate odložiti na ustrezno zbiralno mesto, na primer pri pooblaščenem prodajalcu, ko kupite podoben nov izdelek ali na zbiralno mesto za recikliranje električne in elektronske opreme. Neprimerno ravnanje s takšnimi odpadki lahko negativno vpliva na okolje in človekovo zdravje zaradi nevarnih snovi, ki so povezane z električno in elektronsko opremo. S pravilno odstranitvijo izdelka hkrati prispevate tudi k učinkoviti porabi naravnih virov. Če želite več informacij o tem, kje lahko odložite odpadno opremo za recikliranje, pokličite občinski urad, komunalno podjetje ali službo, ki skrbi za odstranjevanje odpadkov, ali si oglejte načrt OEEO. Če želite več informacij o vračanju in recikliranju izdelkov v skladu z direktivo OEEO, obiščite www.canon-europe.com/weee.

Само за Европейския съюз и ЕИП (Норвегия, Исландия и Лихтенщайн)



Този символ показва, че този продукт не трябва да се изхвърля заедно с битовите отпадъци, съгласно Директивата за ИУЕЕО (2012/19/ЕС) и Вашето национално законодателство. Този продукт трябва да бъде предаден в предназначен за целта пункт за събиране, например на база размяна, когато купувате нов подобен продукт, или в одобрен събирателен пункт за рециклиране на излязло от употреба електрическо и електронно оборудване (ИУЕЕО). Неправилното третиране на този тип отпадъци може да доведе до евентуални отрицателни последици за околната среда и човешкото здраве поради потенциално опасните вещества, които обикновено са свързани с ЕЕО. В същото време Вашето съдействие за правилното изхвърляне на този продукт ще допринесе за ефективното използване на природните ресурси. Повече информация относно местата, където може да предавате излязло от употреба оборудване за рециклиране, може да получите от местните власти, от органа, отговорен за отпадъците и от одобрена система за излязло от употреба ЕЕО или от Вашата местна служба за битови отпадъци. За повече информация относно връщането и рециклирането на продукти от излязло от употреба ЕЕО посетете www.canon-europe.com/weee.

Doar pentru Uniunea Europeană și EEA (Norvegia, Islanda și Liechtenstein)



Acest simbol indică faptul că acest produs nu trebuie aruncat o dată cu reziduurile menajere, în conformitate cu Directiva DEEE (Directiva privind deșeurile de echipamente electrice și electronice) (2012/19/UE) și legile naționale. Acest produs trebuie transportat la un punct de colectare special, de exemplu un centru care preia produsele vechi atunci când achiziționați un produs nou similar, sau la un punct de colectare autorizat pentru reciclarea deșeurilor provenite de la echipamentele electrice și electronice (EEE). Mănuirea necorespunzătoare a acestor tipuri de deșeuri poate avea un impact negativ asupra mediului înconjurător și sănătății indivizilor, din cauza substanțelor potențial nocive care sunt în general asociate cu EEE. În același timp, cooperarea dvs. la reciclarea corectă a acestui produs va contribui la utilizarea efectivă a resurselor naturale. Pentru mai multe informații privind locurile de reciclare a deșeurilor provenite de la echipamente, contactați biroul primăriei locale, autoritatea responsabilă cu colectarea deșeurilor, schema DEEE aprobată sau serviciul de colectare a deșeurilor menajere. Pentru mai multe informații privind returnarea și reciclarea produselor DEEE, vizitați www.canon-europe.com/weee.

Samo za Europsku uniju i EEZ (Norveška, Island i Lihtenštajn)



Ovaj simbol pokazuje da se ovaj proizvod ne smije odlagati s kućnim otpadom sukladno WEEE Direktivi (2012/19/EC) i vašem nacionalnom zakonu. Ovaj proizvod je potrebno predati na posebno mjesto za sakupljanje otpada, npr. na ovlašteno mjesto gdje možete zamijeniti staro za novo ukoliko kupujete novi sličan proizvod ili na ovlašteno mjesto za sakupljanje rabljene električne i elektroničke opreme (EEE) za recikliranje. Nepropropisno rukovanje ovom vrstom otpada može imati negativan učinak na okolinu i zdravlje ljudi zbog supstanci koje su potencijalno opasne za zdravlje, a općenito se povezuju s EEE. Istovremeno, vaša će suradnja kroz propisno odlaganje ovog proizvoda doprinijeti efektivnoj uporabi prirodnih resursa. Za više informacija o tome gdje možete odložiti svoj otpad za recikliranje obratite se vašem lokalnom gradskom uredu, komunalnoj službi, odobrenom WEEE programu ili službi za odlaganje kućnog otpada. Ostale informacije o vraćanju i recikliranju WEEE proizvoda potražite na www.canon-europe.com/weee.

Korisnici u Srbiji



Ovaj simbol označava da ovaj proizvod ne sme da se odlaže sa ostalim kućnim otpadom, u skladu sa WEEE Direktivom (2012/19/EU) i nacionalnim zakonima. Ovaj proizvod treba predati određenom centru za prikupljanje, npr. na osnovi "jedan-za-jedan" kada kupujete sličan novi proizvod, ili ovlašćenom centru za prikupljanje za reciklažu istrošene električne i elektronske opreme (EEE). Nepravilno rukovanje ovom

vrstom otpada može da ima moguće negativne posledice po životnu sredinu i ljudsko zdravlje usled potencijalno opasnih materijala koji se uglavnom vezuju za EEE. U isto vreme, vaša saradnja na ispravnom odlaganju ovog proizvoda će doprineti efikasnom korišćenju prirodnih resursa. Za više informacija o tome gde možete da predate vašu staru opremu radi recikliranja, vas molimo, da kontaktirate lokalne gradske vlasti, komunalne službe, odobreni plan reciklaže ili Gradsku čistoću. Za više informacija o vraćanju i recikliranju WEEE proizvoda, posetite stranicu www.canon-europe.com/weee.

Handling Precautions

- ▶ **Canceling Print Jobs**
- ▶ **Legal Restrictions on Scanning/Copying**
- ▶ **Printer Handling Precautions**
- ▶ **Transporting Your Printer**
- ▶ **When Repairing, Lending, or Disposing of the Printer**
- ▶ **Keeping Print Quality High**

Legal Restrictions on Scanning/Copying

Scanning, printing, copying, or modifying copies of the following may be punishable under law.

This list is non-exhaustive. When in doubt, check with a local legal representative.

- Paper money
- Money orders
- Certificates of deposit
- Postage stamps (canceled or uncanceled)
- Identification badges or insignia
- Selective service or draft papers
- Checks or drafts issued by governmental agencies
- Motor vehicle licenses and certificates of title
- Traveler's checks
- Food stamps
- Passports
- Immigration papers
- Internal revenue stamps (canceled or uncanceled)
- Bonds or other certificates of indebtedness
- Stock certificates
- Copyrighted works or works of art, without the owner's consent

Printer Handling Precautions

Be careful not to let anything get inside the document output slot. It may cause damage.



Transporting Your Printer

When relocating the printer for changing your living place or repairing it, make sure of the following.

►► Important

- You cannot take ink out of ink tanks.
- Check if the tank cap is completely inserted. If the ink tank cover is not completely closed, insert the tank cap properly.
- Prepare for transporting the printer with the print head attached. This allows the printer to automatically cap the print head, thus preventing it from drying.
- Do not remove the print head. Ink may leak.
- If ink stains the inside of the printer, wipe them using a soft cloth dampened with water.
- When transporting the printer, pack the printer in a plastic bag so that ink does not leak.
- Pack the printer in a sturdy box so that it is placed with its bottom facing down, using sufficient protective material to ensure safe transport.
- Do not tilt the printer. Ink may leak.
- When a shipping agent is handling transport of the printer, have its box marked "THIS SIDE UP" to keep the printer with its bottom facing down. Mark also with "FRAGILE" or "HANDLE WITH CARE".



- Please handle with care and ensure the box remains flat and NOT turned upside down or on its side, as the printer may be damaged and ink in the printer may leak.

1. Press the **Setup** button, use the ◀ ▶ button to select **Maintenance**, and press the **OK** button.

➡ [LCD and Operation Panel](#)

2. Use the ◀ ▶ button to select **Transport mode** and press the **OK** button.

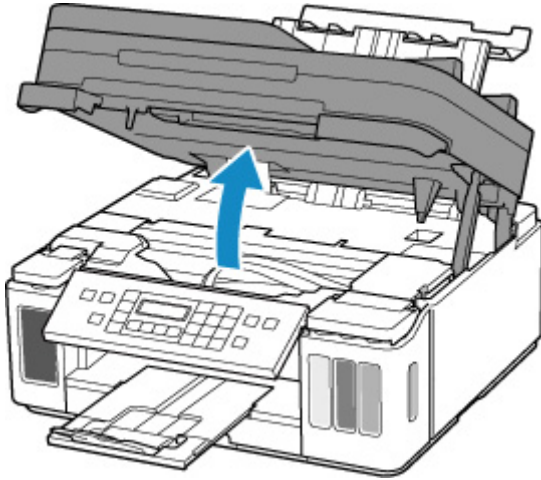
3. Use the ◀ ▶ button to select **Yes** and press the **OK** button.

If you do not want to enter the transporting mode, select **No**.

►► Note

- When entering the transporting mode and proceeding with the procedure, the power is turned off automatically.

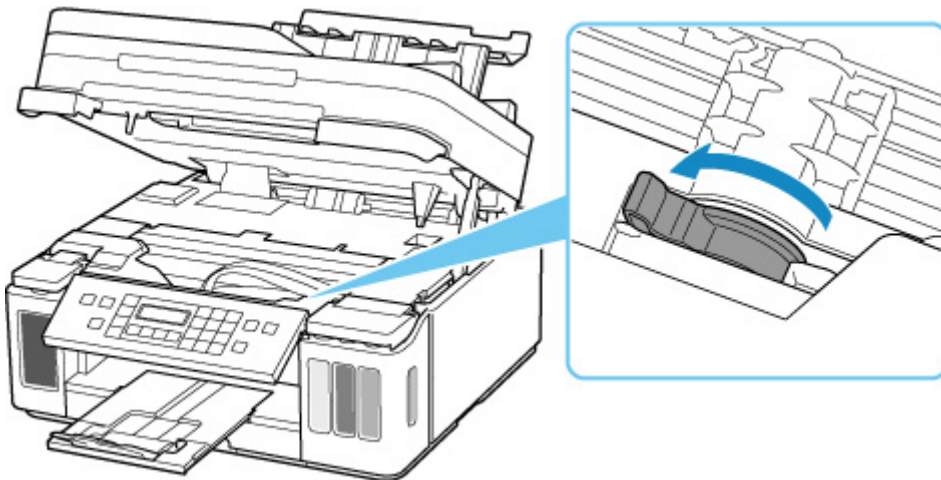
4. Open the scanning unit / cover.



►► Important

- Do not touch tubes or other parts inside the printer. This can cause trouble with the printer.

5. Turn the ink valve lever to the left.



►► Important

- The inside of the printer may become stained with ink. Be careful not to get your clothes and your hands dirty.

6. Close the scanning unit / cover gently.

The printer is turned off.

7. Check that **ON** lamp is off and [unplug power cord](#).

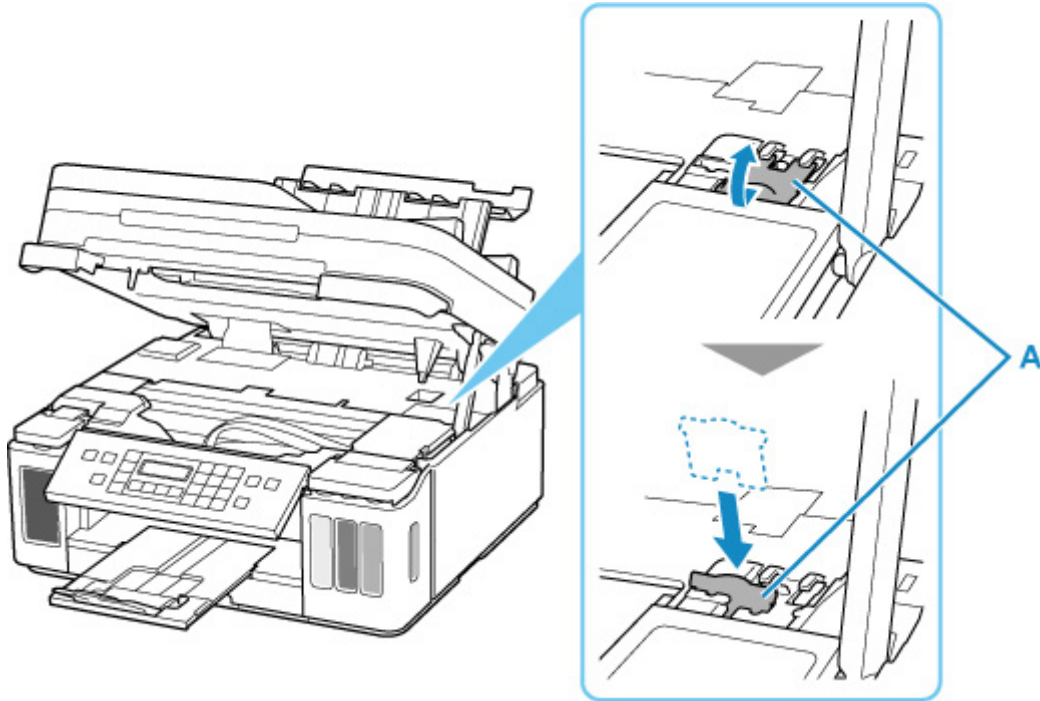
»» Important

- Do not unplug the printer while the **ON** lamp is lit or flashing, as it may cause malfunction or damage to the printer, making the printer unable to print.

8. Open the scanning unit / cover again.

9. Remove the carriage stopper (A) and insert it all the way into the hole in the printer side.

Pull the carriage stopper forward while pulling it up and insert it in the same orientation.



10. Close the scanning unit / cover gently.

11. Retract output tray extension and paper output tray.

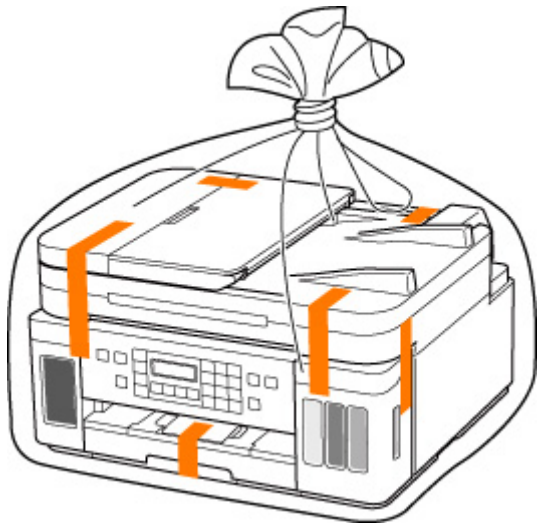
12. Retract paper support, and then close rear tray cover.

13. Close the operation panel.

14. Unplug the printer cable from the computer and from the printer, then unplug the power cord from the printer.

15. Use adhesive tape to secure all the covers on the printer to keep them from opening during transportation. Then pack the printer in the plastic bag.

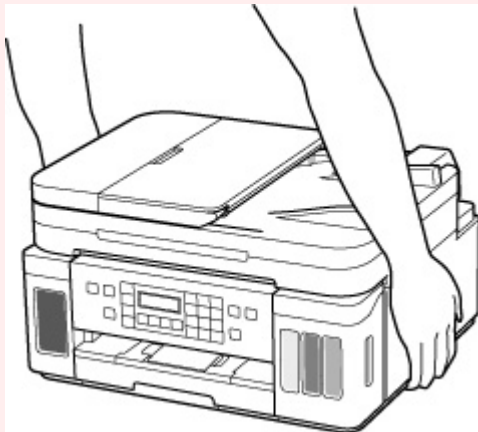
Close and seal the opening of the bag with an object such as tape so as not to leak ink.



16. Attach the protective material to the printer when packing the printer in the box.

▶▶ Important

- We recommend to hold and carry out this printer as shown in the figure below. If you hold the cassette, it may fall out of the printer.



▶▶ Important

- After transporting your printer, remove the carriage stopper, place it in the original position, turn the ink valve lever to the right, and then turn on the printer.

When Repairing, Lending, or Disposing of the Printer

If you have entered personal data, passwords and/or other security settings on the printer, such information may be stored in the printer.

When sending the printer for repair, lending or transferring the printer to another person, or disposing of the printer, please be sure to follow the steps below in order to delete such information and prevent third parties from accessing it.

- Press the **Setup** button, select **Device settings** > **Reset setting** > **All data**, and then select **Yes**.

For printers with fax capabilities, user information and speed dial numbers can be backed up to a computer by utilizing the Speed Dial Utility2 software before resetting the printer or deleting data. Backed up data can be restored to the repaired printer or another Canon printer.

- ➔ Registering Recipients Using Speed Dial Utility2 (Windows)
- ➔ [Registering Recipients Using Speed Dial Utility2 \(macOS\)](#)

Keeping Print Quality High

The key to printing with the optimal printing quality is to prevent the print head from drying or clogging. Always observe the following rules for optimal printing quality.

▶▶▶ Note

- Depending on the type of paper, ink may blur if you trace the printed area with a highlight pen or paint-stick, or bleed if water or sweat comes in contact with the printed area.

Never unplug the power cord until the power is turned off!

If you press the **ON** button to turn off the power, the printer caps the print head (nozzles) automatically to prevent from drying. If you unplug the power cord from the wall outlet before the **ON** lamp is turned off, the print head will not be capped properly and this will cause drying or clogging.

When [unplugging the power cord](#), check that the **ON** lamp is not lit.

▶▶▶ Important

- If the power cord is unplugged, the date/time settings will be reset and all documents stored in the printer's memory will be lost. Send or print a necessary document before unplugging the power cord.

Print periodically!

Just as the tip of a felt pen becomes dry and unusable if it has not been used for a long time, even if it is capped, the print head too, may become dried or clogged if the printer has not been used for a long time. We recommend you to use the printer at least once a month.

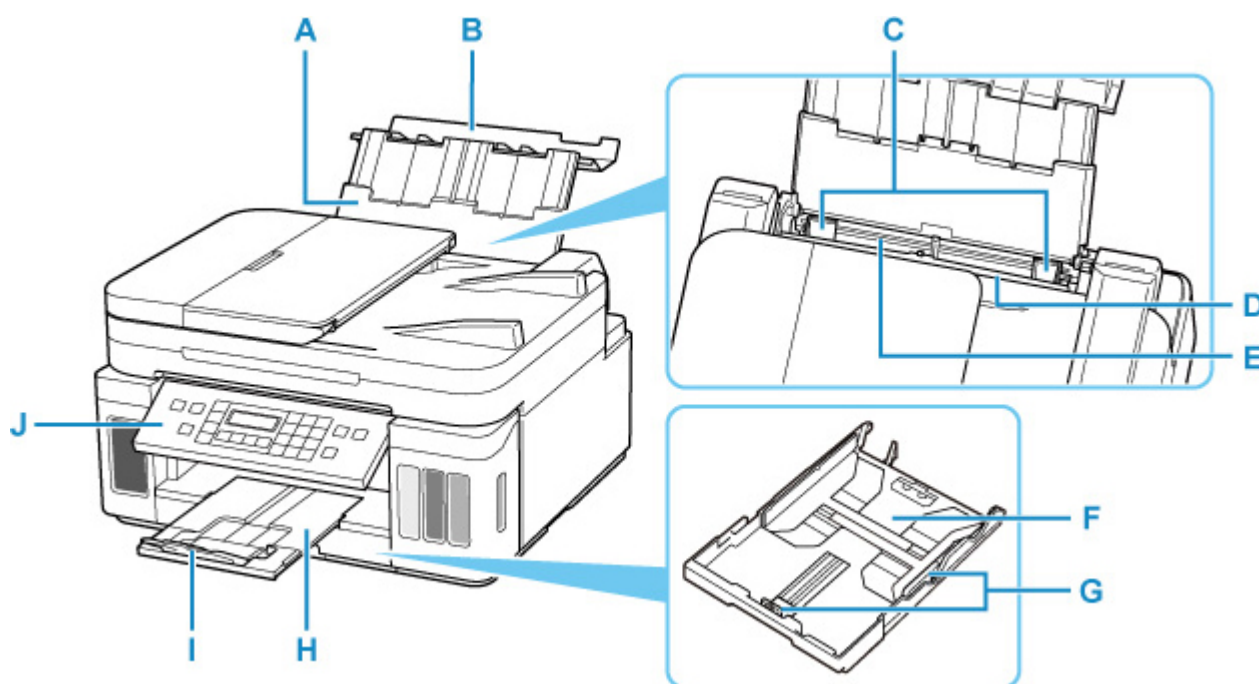
Main Components and Their Use

- **Main Components**
- **Power Supply**
- **LCD and Operation Panel**
- **Entering Numbers, Letters, and Symbols**

Main Components

- **Front View**
- **Rear View**
- **Inside View**
- **Operation Panel**

Front View



A: Paper Support

Extend to load paper in the rear tray.

B: Rear Tray Cover

Open to load paper in the rear tray.

C: Paper Guides

Align with both sides of the paper stack.

D: Feed Slot Cover

Prevents anything from falling into the feed slot.

Open it to slide the paper guides, and close it before printing.

E: Rear Tray

Load paper here. Two or more sheets of the same size and type of paper can be loaded at the same time, and fed automatically one sheet at a time.

- ➔ [Loading Paper in the Rear Tray](#)
- ➔ [Loading Envelopes in Rear Tray](#)

F: Cassette

Load A4, B5, A5, or Letter-sized plain paper into the cassette, and insert it into the printer.

- ➔ [Loading Paper in the Cassette](#)

G: Paper Guides

Align with right/left/front sides of the paper stack.

H: Paper Output Tray

Printed paper is ejected. Pull out it before printing.

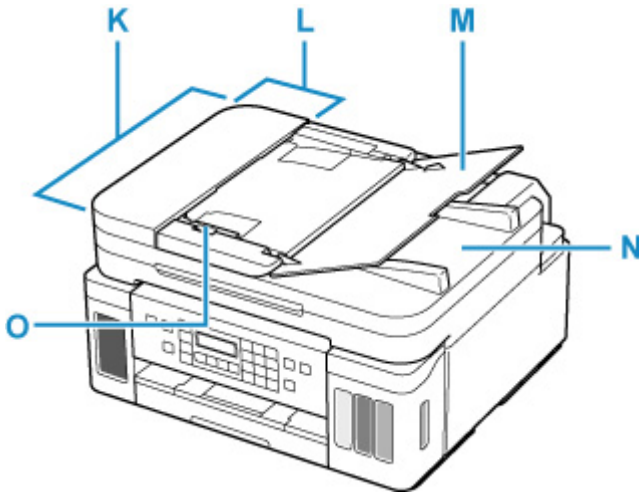
I: Output Tray Extension

Open to support ejected paper.

J: Operation Panel

Use to change the settings of the printer or to operate it.

➔ [Operation Panel](#)



K: ADF (Auto Document Feeder)

Load a document here. The documents loaded in the document tray are scanned automatically one sheet at a time.

➔ [Loading Documents in the ADF \(Auto Document Feeder\)](#)

L: Document Feeder Cover

Open when clearing jammed documents.

M: Document Tray

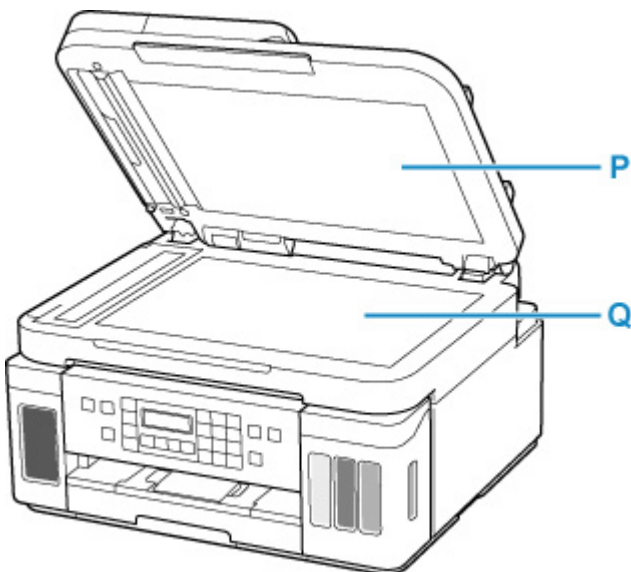
Open to load a document in the ADF. You can load two or more sheets of document of the same size and thickness. Load the document with the side you want to scan facing up.

N: Document Output Slot

Documents scanned from the ADF are delivered here.

O: Document Guide

Adjust this guide to match the width of document in the ADF.



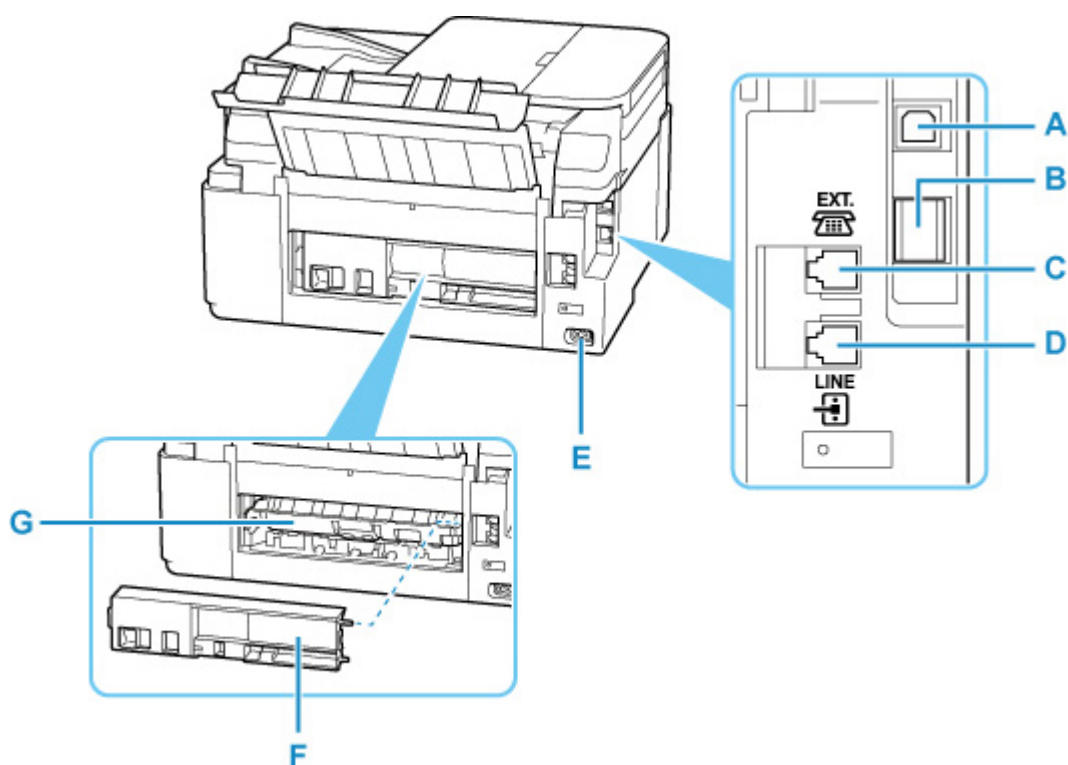
P: Document Cover

Open to load an original on the platen.

Q: Platen

Load an original here.

Rear View



A: USB Port

Plug in the USB cable to connect the printer with a computer.

B: Wired LAN Connector

Plug in the LAN cable to connect the printer to a LAN.

C: External Device Jack

Connect an external device such as telephone or answering device.

D: Telephone Line Jack

Connect the telephone line.

E: Power Cord Connector

Plug in the supplied power cord.

F: Rear Cover

Detach when removing jammed paper.

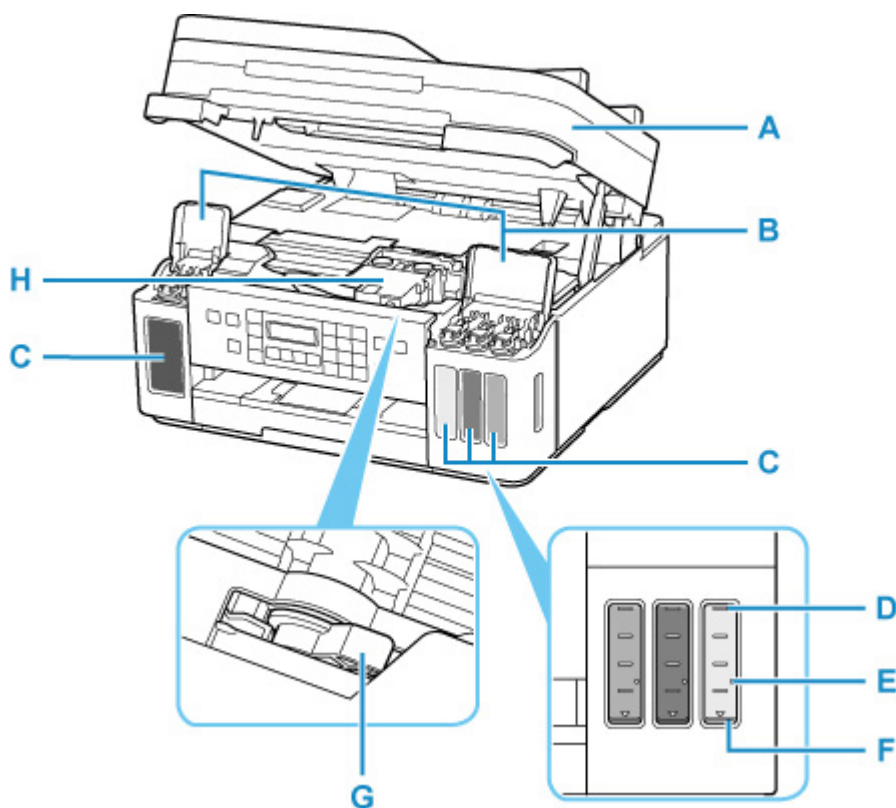
G: Transport Unit Cover

Open when removing jammed paper.

▶▶▶ Important

- Do not touch the metal casing.
- Do not plug in or unplug the USB cable or LAN cable while the printer is printing or scanning with the computer. This can cause trouble.

Inside View



A: Scanning Unit / Cover

Scans originals. Open to refill ink tanks and to remove jammed paper.

B: Ink Tank Covers

Open to refill ink tanks.

C: Ink Tanks

The black ink tank is on the left, and the color ink tanks (cyan, magenta, and yellow) are on the right.

If any ink levels are low, refill the low tanks.

➔ [Refilling Ink Tanks](#)

D: Upper limit line

Indicates the maximum capacity of the ink.

E: Single dot

Indicates the amount of ink required when performing ink flush.

F: Lower limit line

Indicates the lower limit of the sufficient amount of ink to print. Refill the ink tank before the amount of ink is below this line.

G: Ink Valve Lever

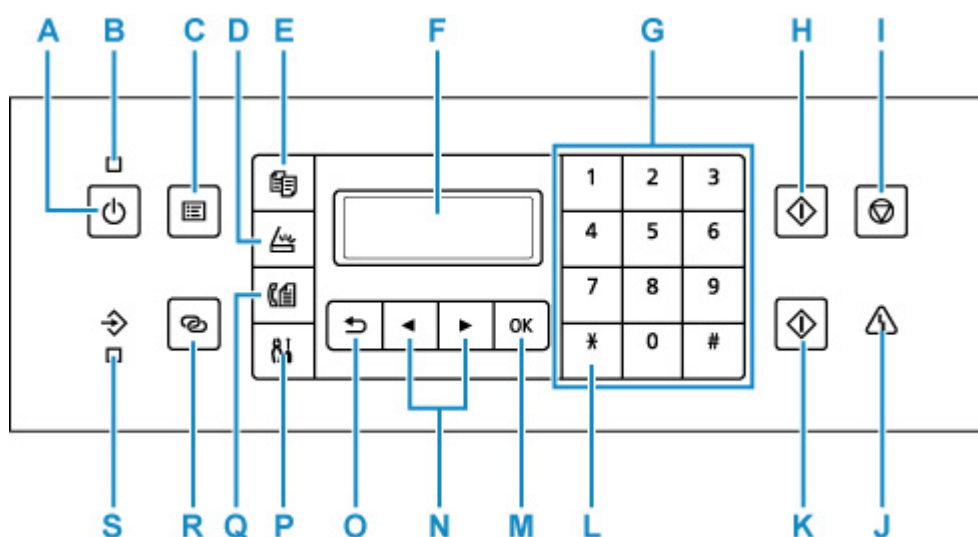
Operate when transporting a printer.

➔ [Transporting Your Printer](#)

H: Print Head Holder

The print head is pre-installed.

Operation Panel



A: ON button

Turns the power on or off. Before turning on the power, make sure that the document cover is closed.

➔ [Turning the Printer On and Off](#)

B: ON lamp

Lights after flashing when the power is turned on.

C: MENU button

Displays the **Copy menu**, **Scan menu**, or **Fax menu** screen.

D: SCAN button

Switches the printer to the scan mode.

E: COPY button

Switches the printer to the copy mode.

F: LCD (Liquid Crystal Display)

Displays messages, menu items, and the operational status.

G: Numeric buttons

Used to enter numerical values such as the number of copies, as well as fax/telephone numbers and characters.

H: Black button

Starts black & white copying, scanning, faxing, etc.

I: Stop button

Cancels operation when print, copy, scan, or fax transmission/reception job is in progress.

J: Alarm lamp

Lights or flashes when an error occurs.

K: Color button

Starts color copying, scanning, faxing, etc.

L: Tone button

Switches to tone dialing temporarily if your printer is connected to a rotary pulse line.

M: OK button

Finalizes the selection of a menu or setting item. This button is also used to resolve an error or ejects documents in the ADF (Auto Document Feeder).

N: ◀ and ▶ buttons

Used to select a setting item. These buttons are also used for entering characters.

➔ [Selecting a Menu or Setting Item](#)

O: Back button

Returns the LCD to the previous screen.

P: Setup button

Displays the **Setup menu** screen. With this menu, you can perform printer maintenance and change printer settings. Also used for selecting the input mode.

Q: FAX button

Switches the printer to the fax mode.

R: Wireless connect button

To set wireless router information in the printer directly from a smartphone or other such device (without having to do any procedures at the router), hold down this button.

S: FAX Memory lamp

Lights when there are received or unsent documents stored in the printer's memory.

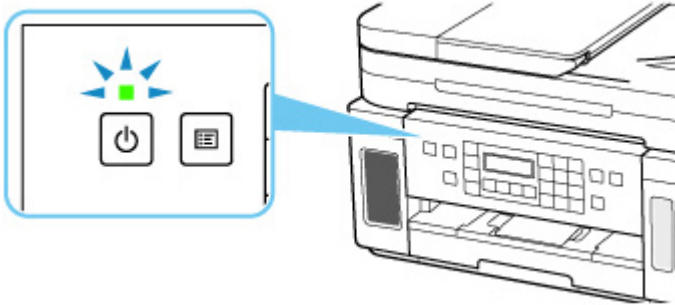
Power Supply

- **Checking that Power Is On**
- **Turning the Printer On and Off**
- **Checking the Power Plug/Power Cord**
- **Unplugging the Printer**

Checking that Power Is On

The **ON** lamp is lit when the printer is turned on.

Even if the LCD is off, if the **ON** lamp is lit, the printer is on.



▶▶ Note

- It may take a while for the printer to start printing immediately after you turn on the printer.
- The LCD will turn off if the printer is not operated for about 10 minutes. To restore the display, press any button or perform the print operation. The display will be also restored when receiving faxes. You cannot change the wait time before the LCD turns off.

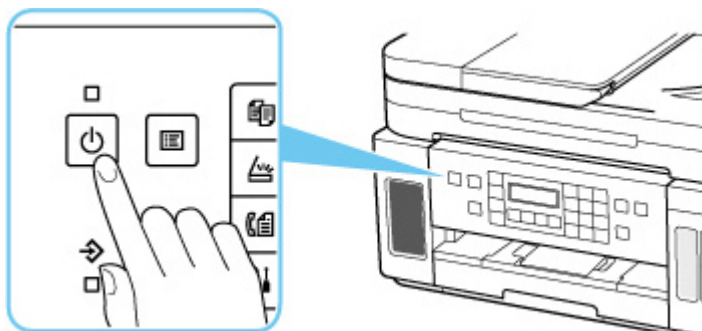
Turning the Printer On and Off

Turning on the printer

1. Press the **ON** button to turn on the printer.

The **ON** lamp flashes and then remains lit.

➔ [Checking that Power Is On](#)



➤➤➤ Note

- It may take a while for the printer to start printing immediately after you turn on the printer.
- If an error message is displayed on the LCD, see [When Error Occurred](#).
- You can set the printer to automatically turn on when a print or scan operation is performed from a computer connected by USB cable or via network. This feature is set to off by default.

From the printer

➔ [ECO settings](#)

From the computer

– For Windows:

➔ [Managing the Printer Power](#)

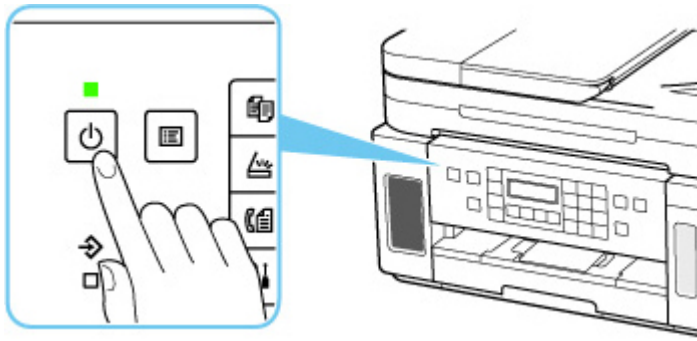
– For macOS:

➔ [Managing the Printer Power](#)

Turning off the printer

1. Press the **ON** button to turn off the printer.

When the **ON** lamp stops flashing, the printer is turned off.



▶▶ Important

- When you [unplug the power cord](#) after turning off the printer, be sure to confirm that the **ON** lamp is off.

▶▶ Note

- You can set the printer to automatically turn off when no operations are performed or no print jobs are sent to the printer for a certain interval. This feature is set to on by default.

From the printer

➔ [ECO settings](#)

From the computer

– For Windows:

➔ [Managing the Printer Power](#)

– For macOS:

➔ [Managing the Printer Power](#)

Checking the Power Plug/Power Cord

Unplug the power cord once a month to confirm that the power plug/power cord does not have anything unusual described below.

- The power plug/power cord is hot.
- The power plug/power cord is rusty.
- The power plug/power cord is bent.
- The power plug/power cord is worn.
- The power plug/power cord is split.

Caution

- If you find anything unusual with the power plug/power cord described above, [unplug the power cord](#) and call for service. Using the printer with one of the unusual conditions above may cause a fire or an electric shock.
-

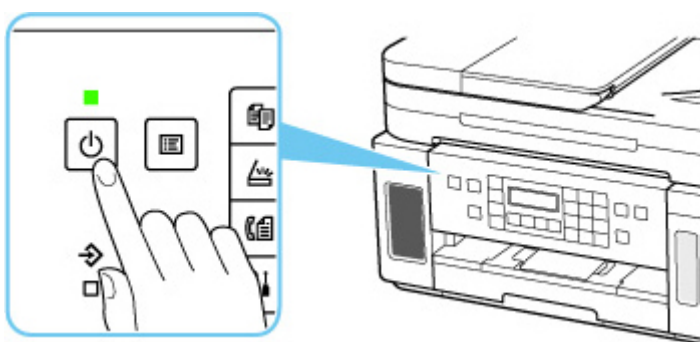
Unplugging the Printer

To unplug the power cord, follow the procedure below.

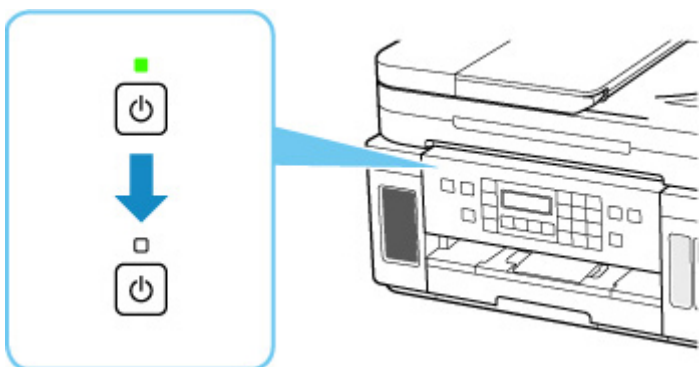
►► Important

- When you unplug the power cord, press the **ON** button, then confirm that the **ON** lamp is off. Unplugging the power cord while the **ON** lamp is lit or flashing may cause drying or clogging of the print head and print quality may be reduced.
- If the power cord is unplugged, the date/time settings will be reset and all documents stored in the printer's memory will be lost. Send or print a necessary document before unplugging the power cord.

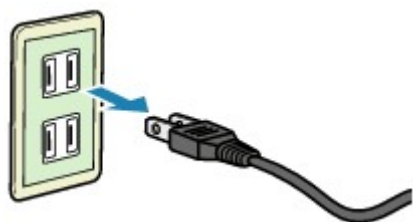
1. Press the **ON** button to turn the printer off.



2. Confirm that the **ON** lamp is off.



3. Unplug the power cord.

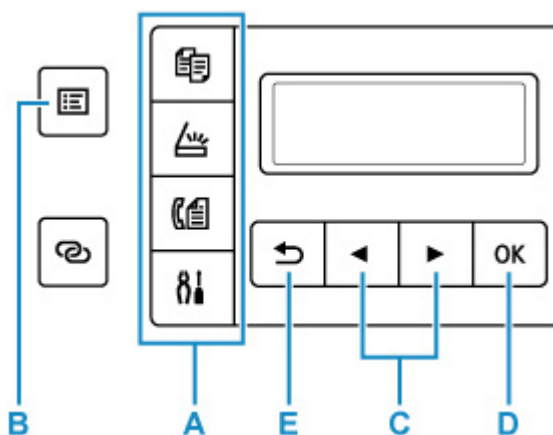


The specification of the power cord differs depending on the country or region of use.

LCD and Operation Panel

The mode button (A) on the operation panel allows you to switch between the copy mode, scan mode, fax mode, and setup menu screen.

Pressing the **MENU** button (B) in the respective modes shows the menu screen to select various functions or settings.



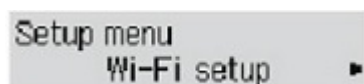
Selecting a Menu or Setting Item

In a menu screen or settings screen, use the ◀ ▶ button (C) to select an item or option, and then press the **OK** button (D) to proceed with the procedure.

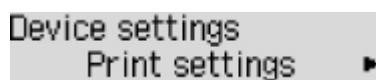
To return to the previous screen, press the **Back** button (E).

Example: Changing the setting for Prevent Abrasion.

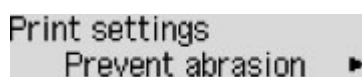
1. Press **Setup** button.



2. Use ◀ ▶ button (C) to select **Device settings** and press **OK** button (D).



3. Press **OK** button (D).



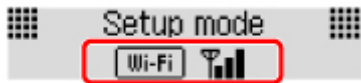
4. Press **OK** button (D).




5. Use ◀ ▶ button (C) to change setting and press **OK** button (D).

Network Status Indication

Wi-Fi setting and the network status indicate by the icon.



If the  icon appears on the LCD when the mode button (A) is pressed, it indicates that Wi-Fi is enabled and the printer is connected to the wireless router.

Depending on the signal state, the icon will change.



Signal strength: 81 % or more

You can use the printer over Wi-Fi without any problems.



Signal strength: 51 % or more

The problem such as the printer cannot print may occur according to the network status. We recommend placing the printer near the wireless router.




Signal strength: 50 % or less



The problem such as the printer cannot print may occur. Place the printer near the wireless router.



Wi-Fi is enabled but the printer is not connected to the wireless router.

If the  icon appears on the LCD, it indicates that the wired LAN is enabled.

▶▶▶ Note

- When Wi-Fi, wired LAN, or both are disabled, the  icon,  icon, or both are not displayed.

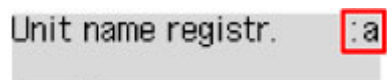
Entering Numbers, Letters, and Symbols

Use the Numeric buttons to enter or edit such information as unit name, a recipient's name for the directory, etc.

Switching the Input Mode

Each time the **Tone** button is pressed, the input mode is switched.

The current input mode appears at the upper right corner of the LCD.

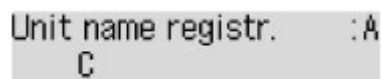


Unit name registr. : a

▶▶▶ Note

- Only numbers and symbols that are available for the type of information you are entering are displayed, such as numbers for telephone or fax number input.

Entering Numbers, Letters, and Symbols



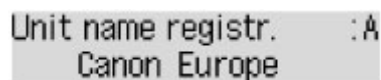
Unit name registr. : A
C

Press the **Tone** button to switch the input mode.

Use the Numeric buttons to enter the desired characters.

- To insert a space
Press the **#** button five times.
- To delete the last entered character
Press the **Back** button.

Editing Entered Numbers, Letters, and Symbols



Unit name registr. : A
Canon Europe

Press the ◀ or ▶ button to move the cursor under the position you want to edit.

- To insert a space
Press the **#** button five times.
- To insert a character
Move the cursor under the character to the right of the insertion position, then enter the character. The character on the cursor will move to the right and the new character will be inserted.
- To delete a character
Move the cursor under the character, then press the **Back** button.

List of Characters Assigned to Each Numeric Button

For Fax/Telephone Number, Name, Number of Copies

Button	Lowercase mode (:a)	Uppercase mode (:A)	Numeric mode (:1)	Fax/Telephone no.
1			1	1
2	abcáááááãæç	ABCÄÄÄÄÄÅÆÇ	2	2
3	defëëëë	DEFËËËËË	3	3
4	gh i î ï ï ï	GH I Î Ï Ï Ï	4	4
5	jkl	JKL	5	5
6	mnoñøóóóóô	MNOÑØÖÖÖÖÏ	6	6
7	pqrsp	PQRSP	7	7
8	tuvüüüü	TUVÜÜÜÜ	8	8
9	wxyzý	WXYZÝ	9	9
0			0	0
#	. @ - _ SP*1 *#!" , ; : ^ ` = / ' ? \$ % & + () [] { } < >			#
*	Switch the input mode.			*

*1 "SP" indicates a space.

For LAN Settings

Button	Lowercase mode (:a)	Uppercase mode (:A)	Numeric mode (:1)
1			1
2	abc	ABC	2
3	def	DEF	3
4	gh i	GH I	4
5	jkl	JKL	5
6	mno	MNO	6

7	pqrs	PQRS	7
8	tuv	TUV	8
9	wxyz	WXYZ	9
0			0
#	. @ - _ SP* <u>2</u> * # ! " , ; : ^ ` = / ' ? \$ % & + () [] { } < > \ ~		
✱	Switch the input mode.		

*2 "SP" indicates a space.

Changing Settings

- ▶ **Changing Printer Settings from Your Computer (Windows)**
- ▶ **Changing Printer Settings from Your Computer (macOS)**
- ▶ **Changing Settings from Operation Panel**

Changing Printer Settings from Your Computer (macOS)

- **Managing the Printer Power**
- **Changing the Printer Operation Mode**

Managing the Printer Power

Printer power supply is operated from Remote UI.

Energy saving settings

Energy saving settings allow you to set **Auto power off** and **Auto power on**.

Auto power off is the function wherein the printer automatically turns itself off, when data is not sent or the printer remains inactive for a certain period.

The **Auto power on** function automatically turns on the printer when data is received.

1. Selecting **Device settings** from [Remote UI](#)

2. Click **Energy saving settings**

3. Complete the following settings:

Auto power off

Specify the time from the list. Printer automatically turns itself off, when data is not sent within the specified time or the printer has remained inactive.

Auto power on

When you check this check box, the printer automatically turns itself on when data is sent.

4. Apply the settings

Click **OK**.

The printer will operate with the changed settings hereafter.

Changing the Printer Operation Mode

If necessary, switch between various modes of printer operation.

1. Check whether the printer is on and select **Device settings** from [Remote UI](#)

2. If necessary, complete the following settings:

Print settings - Prevent paper abrasion

The printer can increase the gap between the print head and the paper during high-density printing to prevent paper abrasion.

Check this check box to prevent paper abrasion.

Custom settings - Detect paper setting mismatch

If the check box is deselected, at the time of printing from PC, you can continue to print without the message display even if the paper settings set in the Print dialog differs from the paper information registered to the printer.

Ink drying wait time

You can set the length of the printer rest time until printing of the next page begins. The wait time becomes longer as the value set in the list increases, and shorter as the value decreases.

If the paper gets stained because the next page is ejected before the ink on the printed page dries, increase the ink drying wait time.

Reducing the ink drying wait time speeds up printing.

3. Apply the settings

Click **OK**.

The printer operates with the modified settings hereafter.

Changing Settings from Operation Panel

- **Changing Settings from Operation Panel**
- **Setting Items on Operation Panel**
- **FAX settings**
- **Print settings**
- **LAN settings**
- **PictBridge settings**
- **Other dev. settings**
- **Language selection**
- **Firmware update**
- **Reset setting**
- **Feed settings**
- **Web service setup**
- **ECO settings**
- **Quiet setting**
- **System information**

Changing Settings from Operation Panel

This section describes the procedure to change the settings in the **Device settings** screen, taking the steps to specify **Prevent abrasion** as an example.

▶▶▶ Note

- The * (asterisk) on the LCD indicates the current setting.

1. [Check that printer is turned on.](#)

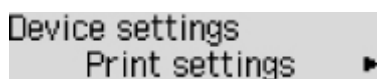
2. Press the **Setup** button.

The **Setup menu** screen is displayed.

3. Select **Device settings** and then press the **OK** button.

The **Device settings** screen is displayed.

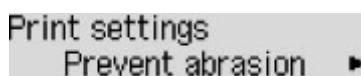
4. Select a setting item to adjust and then press the **OK** button.



Device settings
Print settings ▶

The setting screen for the selected item is displayed.

5. Select a setting item and then press the **OK** button.



Print settings
Prevent abrasion ▶

6. Select a setting to specify and then press the **OK** button.



Prevent abrasion
◀ *OFF

For more on setting items on the operation panel:

➔ [Setting Items on Operation Panel](#)

Setting Items on Operation Panel

Items for Printer

- ➔ [FAX settings](#)
- ➔ [Other device settings](#)
- ➔ [Language selection](#)
- ➔ [Web service setup](#)
- ➔ [ECO settings](#)
- ➔ [Quiet setting](#)

Items for Paper/Printing

- ➔ [Print settings](#)
- ➔ PictBridge settings
- ➔ [Feed settings](#)

Items for Maintenance/Management

- ➔ [LAN settings](#)
- ➔ [Firmware update](#)
- ➔ [Reset setting](#)
- ➔ [System information](#)

FAX settings

Select this menu from **Setup menu**.

- ➔ [Easy setup](#)
- ➔ [Add tel. number](#)
- ➔ [Fax user settings](#)
- ➔ [Adv. fax settings](#)
- ➔ [Auto print settings](#)
- ➔ [Security control](#)

▶▶▶ Note

- Before changing the settings, you can confirm the current settings by printing USER'S DATA LIST.
 - ➔ [Summary of Reports and Lists](#)

Easy setup

The printer must be set up depending on your telephone line and use of the faxing function. Follow the procedure according to the instructions on the LCD.

▶▶▶ Note

- You can specify the setup setting individually or the advanced setting.
For details on how to specify the setting:
 - ➔ [Preparing for Faxing](#)

Add tel. number

You can register the recipient's fax/telephone number to the printer.

- ➔ [Registering Recipients Using Operation Panel of Printer](#)

Fax user settings

- **Add unit tel. number**

Registers your fax/telephone number printed on sent faxes.

- ➔ [Registering User Information](#)

- **Add unit name**

Registers your name printed on sent faxes.

- ➔ [Registering User Information](#)

- **Telephone line type (Country or region of purchase other than China)**

Selects the telephone line type setting for the printer.

- ➔ [Setting Telephone Line Type](#)

▶▶▶ Note

- This setting may not be available depending on the country or region of purchase.

• **Tel. line auto select (China only)**

If you select **ON**, the telephone line type is selected automatically.

If you select **OFF**, you can select the telephone line type manually.

➔ [Setting Telephone Line Type](#)

Adv. fax settings

• **Err reduction (VoIP)**

If you select **Reduce**, it may be possible to reduce the incidence of communication errors when connecting to internet line such as IP phone.

▶▶▶ Note

- When **Reduce** is selected, V.34 (Super G3) cannot be used. Communication time generally becomes longer than when communicating with V.34 (super G3).
- This setting has priority even if you select **33600 bps** for **TX start speed** or **RX start speed**.

• **Auto redial**

Enables/disables automatic redialing.

If you select **ON**, you can specify the maximum number of redial attempts and the length of time the printer waits between redial attempts.

• **Dial tone detect**

Avoids mistransmission when reception and transmission occur at the same time.

If you select **ON**, the printer transmits the fax after confirming the dial tone.

▶▶▶ Note

- This setting may not be available depending on the country or region of purchase.

• **Pause time settings**

Sets the length of pause time for each when you enter "P" (pause).

• **TTI position**

Selects the position of the sender information (outside or inside the image area).

• **Remote RX**

Enables/disables remote reception.

If you select **ON**, you can specify the remote reception ID.

➔ Remote Reception

- **Color transmission**

When faxing color documents using the ADF (Auto Document Feeder), selects whether to convert them into black & white data if the recipient's fax device does not support color faxing.

If you select **If incompatible, end**, the printer does not send color documents when the recipient's fax device does not support color faxing.

If you select **If incompat., B&W**, the printer send documents in black & white when the recipient's fax device does not support color faxing.

- **RX image reduction**

Enables/disables automatic reduction of incoming faxes so that they fit in the selected paper.

If you select **ON**, you can select the image reduction direction.

- **Adv. communication**

- **ECM TX**

Selects whether to send faxes in Error Correction Mode (ECM).

➔ Transmission/Reception of Faxes Using ECM

- **ECM RX**

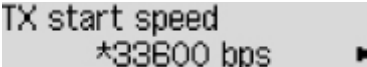
Selects whether to receive faxes in Error Correction Mode (ECM).

➔ Transmission/Reception of Faxes Using ECM

- **TX start speed**

Selects the fax transmission speed.

Ex:



TX start speed
*33600 bps ▶

The following settings are available.

33600 bps/14400 bps/9600 bps/4800 bps

The fax transmission start speed will be faster as the value is bigger.

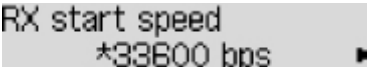
▶▶▶ **Note**

- The * (asterisk) on the LCD indicates the current setting.
- Some of settings are not available depending on the country or region of purchase.
- When the telephone line condition or connection is poor, selecting a lower transmission start speed may solve transmission problems.

- **RX start speed**

Selects the fax reception speed.

Ex:



RX start speed
*33600 bps ▶

The following settings are available.

33600 bps/14400 bps/9600 bps/4800 bps

The fax reception start speed will be faster as the value is bigger.

▶▶▶ Note

- The * (asterisk) on the LCD indicates the current setting.
- Some of settings are not available depending on the country or region of purchase.
- When the telephone line condition or connection is poor, selecting a lower reception start speed may solve reception problems.

Auto print settings

• Received documents

Selects whether to print the received fax automatically when receiving a fax.

If you select **Do not print**, the received fax is stored in the printer's memory.

For details on the received fax stored in the printer's memory:

➔ [Document Stored in Printer's Memory](#)

• Activity report

Selects whether to print ACTIVITY REPORT automatically.

If you select **Print**, the printer prints ACTIVITY REPORT for the 20 histories of sent and received faxes automatically.

For details on the procedure to print ACTIVITY REPORT manually:

➔ Summary of Reports and Lists

• TX report

Selects whether to print TX REPORT/ERROR TX REPORT automatically after sending a fax.

If you print the report, select **Print error only** or **Print for each TX**.

If you select **Print error only** or **Print for each TX**, you can specify the print setting that the first page of the fax is printed along with the report.

• RX report

Selects whether to print RX REPORT automatically after receiving a fax.

If you print RX REPORT, select **Print error only** or **Print for each RX**.

Security control

• Fax no. re-entry

If you select **ON**, you can set the printer to send faxes after using the Numeric buttons to enter the number twice. By using this setting, you can avoid the mistransmission of faxes.

➔ Preventing Mistransmission of Faxes

- **Check RX fax info**

If you select **ON**, the printer checks whether the recipient's fax device information matches the dialed number. If it matches the number, the printer starts to send faxes.

➔ Preventing Mistransmission of Faxes

- **Hook setting**

If you select **Enable**, you can use the on hook dial function.

- **Fax RX reject**

If you select **ON**, the printer rejects the reception of faxes with no sender information or faxes from specific senders.

➔ Rejecting Fax Reception

- **Caller rejection**

If you subscribe to the Caller ID service, the printer detects the sender's Caller ID. If the sender's ID matches the condition specified in this setting, the printer rejects the phone call or fax reception from the sender.

If you select **Subscribed**, you can specify the settings of rejection.

➔ Using Caller ID Service to Reject Calls

▶▶▶ **Note**

- This setting may not be supported depending on the country or region of purchase. Contact your telephone company to confirm whether it provides this service.

Print settings

Select this menu from **Device settings** in **Setup menu**.

- **Prevent abrasion**

Use this setting only if the print surface becomes smudged.

▶▶▶ Important

- Be sure to set this back to **OFF** after printing since it may result in lower printing speed or lower print quality.

- **Amount of extension**

Select the amount of image that extends off the paper when performing Borderless Printing/Copying.

When performing Borderless Printing/Copying, slight cropping may occur at the edges since the printed/copied image is enlarged to fill the whole page. You can change the width to be cropped from the borders of the original image as needed.

Cropped area will be larger if **Amount: Large** is selected.

▶▶▶ Note

- For Borderless Printing, at Paper Size Settings at the computer, select a paper size for Borderless Printing, then print.
- If printouts contain margins even though you are printing in Borderless, specifying **Amount: Large** for this setting may help solve the problem.
- Depending on your devices or how to print, the setting may be disabled.

- **Auto photo fix set.**

When **ON** is selected, you can select whether to print photos using the Exif information recorded in the image files when **Default*** or **On** is selected in printing with a PictBridge (Wi-Fi) compliant device.

* When **Default** is selected for the print setting on the PictBridge (Wi-Fi) compliant device, select **Auto photo fix** for **Photo fix** in **PictBridge settings**.

- **Paper print position**

Adjusts the print position when the left/right margins are not aligned.

Select **Rear tray** or **Cassette** for the paper source. You can adjust their printing positions in increments of 0.004 in. (0.1 mm) between -0.08 in. (-2 mm) and +0.08 in. (+2 mm) to the right or left with respect to its center of the paper along the horizontal axis.

▶▶▶ Important

- When using A4/Letter sized paper, the amount of adjustment that can be made is limited. You cannot make adjustments greater than this limit.

LAN settings

Select this menu from **Device settings** in **Setup menu**.

- ➔ [Wi-Fi](#)
- ➔ [Wireless Direct](#)
- ➔ [Wired LAN](#)
- ➔ [Print LAN details](#)

Wi-Fi

- **Wi-Fi enab./disable**

Enables or disables Wi-Fi.

- **Wi-Fi setup**

Selects the setup method for Wi-Fi connection.

▶▶▶ Note

- You can also enter this setting menu by selecting **Wi-Fi setup** from the **Setup menu** screen and pressing the **OK** button.

- **Easy WL connect**

Select if you specify the settings of the access point information to the printer directly from a device (such as a smartphone) without operating the wireless router. Follow the on-screen instructions of the connecting device for the setup procedure.

- **Manual connect**

Select when you perform settings for Wi-Fi manually using the operation panel of the printer.

- **WPS (Push button)**

Select when you perform settings for Wi-Fi using a wireless router supporting a Wi-Fi Protected Setup (WPS) push button method. Follow the on-screen instructions during setup.

- **Other setup**

- Manual setup**

Select when you perform settings for Wi-Fi manually. You can specify multiple WEP keys.

- WPS (PIN code)**

Select when you perform settings for Wi-Fi using a wireless router supporting a Wi-Fi Protected Setup (WPS) PIN code method. Follow the on-screen instructions during setup.

- **Manual setup**

For details on each setting item:

- ➔ [Manual setup](#)

Wireless Direct

- **Switch WL Direct**

Enables/disables Wireless Direct.

- **Change name (SSID)**

Changes the identifier (SSID/the printer's name displayed on a Wi-Fi Direct compatible device) for Wireless Direct.

- **Change password**

Changes the password for Wireless Direct.

- **Confirm request**

Set whether the printer displays the confirmation screen when a Wi-Fi Direct compatible device is connecting the printer.

- **Manual setup**

For details on each setting item:

➔ [Manual setup](#)

Wired LAN

- **Enab./dis. wired LAN**

Enables or disables wired LAN.

- **Manual setup**

For details on each setting item:

➔ [Manual setup](#)

Print LAN details

You can print out the network settings of the printer such as its IP address and SSID.

For more information on the printer's network setting is printed out:

➔ [Printing Network Settings](#)

➤➤➤ Important

- The network settings printout contains important information about your network. Handle it with care.

Manual setup

- **Set printer name**

Specifies the printer name. You can use up to 15 characters for the name.

►► Note

- You cannot use the same printer name as that already used for other LAN connected devices.
- You cannot use a hyphen for the initial or last character of the printer name.

• TCP/IP settings

Performs IPv4 or IPv6 setting.

• WSD setting

Setting items when you use WSD (one of the network protocols supported in Windows).

◦ Enable/disable WSD

Selects whether WSD is enabled or disabled.

►► Note

- When this setting is enabled, the printer icon is displayed on the Network Explorer in Windows.

◦ Optimize WSD-In

Selecting **Enable** allows you to receive the WSD printing data faster.

◦ WSD scan from dev.

Selecting **Enable** allows you to transfer the scanned data to the computer using WSD.

◦ Timeout setting

Specifies the timeout length.

• Bonjour settings

Setting items when you use Bonjour.

◦ Enab./disab. Bonjour

Selecting **Enable** allows you to use Bonjour to perform the network settings.

◦ Enter service name

Specifies the Bonjour service name. You can use up to 48 characters for the name.

►► Note

- You cannot use the same service name as that already used for other LAN connected devices.

• LPR setting

Enables/disables the LPR setting.

• RAW protocol

Enables/disables RAW printing.

• LLMNR

Enables/disables LLMNR (Link-Local Multicast Name Resolution). Selecting **Enable** allows the printer to detect printer's IP address from the printer name without a DNS server.

• IPP settings

Selecting **Enable** allows you to print via the network with the IPP protocol.

- **PictBridge commun.**

Setting items for printing from a PictBridge (Wi-Fi) compliant device.

- **Enable/disable**

- Selecting **Enable** allows you to print from a PictBridge (Wi-Fi) compliant device.

- **Timeout setting**

- Specifies the timeout length.

- **DRX setting**

Selecting **Wired LAN** then **Enable** allows you to activate discontinuous reception when the printer is connected to a device compatible with wired LAN.

- **IPsec settings**

Selecting **Enable** allows you to specify the IPsec settings.

Other dev. settings

Select this menu from **Device settings** in **Setup menu**.

- **Date/time setting**

Sets the current date and time.

➔ [Setting Sender Information](#)

»»» Important

- If a power failure occurs or you unplug the power cord, the date/time settings will be reset.

- **Date display format**

Sets the format of dates displayed on the LCD and printed on sent faxes.

- **DST setting**

Some countries adopt the daylight saving time (summer time) system that shifts the clock time forward at certain periods of the year.

You can set your printer to automatically change the time by registering the date and time that daylight saving time (summer time) begins and ends.

➔ [Setting Sender Information](#)

»»» Note

- This setting may not be available depending on the country or region of purchase.

- **Sound control**

Selects whether the beep sound in operations is enabled or not.

- **Keypad volume**

Selects whether the beep sound is enabled or not when pressing the buttons on the operation panel.

- **Alarm volume**

Selects whether the alarm is enabled or not.

- **Line monitor volume**

Selects whether the line monitor sound is enabled or not.

- **Offhook alarm**

Selects whether the alarm is enabled or not when the phone receiver is not put on the hook properly.

- **Country or region**

Selects the country or region where you are using the printer.

»»» Note

- This setting may not be available depending on the country or region of purchase.

- **Key repeat**

Enables/Disables continuous input by pressing and holding down the ◀▶ button when setting the number of copies, the zoom ratio, etc.

- **Orig. remov. remind.**

Selects whether the printer will display the reminder screen in case you forget to remove the original from the platen after scanning.

▶▶▶ Important

- Depending on the type of original or the state of the document cover, forgetting to remove the original may not be detected.

Language selection

Changes the language for LCD messages and menus.

Japanese / English / German / French / Italian / Spanish / Portuguese / Dutch / Danish / Norwegian / Swedish / Finnish / Russian / Ukrainian / Polish / Czech / Slovene / Hungarian / Slovak / Croatian / Romanian / Bulgarian / Turkish / Greek / Estonian / Latvian / Lithuanian / Simplified Chinese / Korean / Traditional Chinese / Indonesian / Vietnamese

Firmware update

Select this menu from **Device settings** in **Setup menu**.

You can update the firmware of the printer, check the firmware version, or perform settings of a notification screen.

▶▶▶ Important

- When you use this function, make sure the printer is connected to the internet.

▶▶▶ Note

- Only **Current version** is available when **Disable** is selected for **Wi-Fi enab./disable** of **Wi-Fi** and also for **Enab./dis. wired LAN** of **Wired LAN** in **LAN settings**.

• Install update

Performs the firmware update of the printer. Follow the on-screen instructions to perform update.

▶▶▶ Note

- If the firmware update is not complete, check the following and take an appropriate action.
 - Check the network settings.
 - If **Cannot connect to the server; try again** is displayed on the LCD, press the **OK** button and try again after a while.

• Current version

You can check the current firmware version.

• Update notification

When **ON** is selected and the firmware update is available, the screen to inform you of the firmware update is displayed on the LCD.

• DNS server setup

Performs settings for a DNS server. Select **Auto setup** or **Manual setup**. If you select **Manual setup**, follow the display on the LCD to perform settings.

• Proxy server setup

Performs settings for a proxy server. Select **Use** or **Do not use**. If you select **Use**, follow the display on the LCD to perform settings.

Reset setting

Select this menu from **Device settings** in **Setup menu**.

Returns all settings you made to the printer back to the default. However, some data may not be changed, depending on the current usage state of your printer.

»» Important

- Depending on the setting item, it is necessary to perform connection or setup again after you have returned the setting back to the default.

- **Web service setup**

Returns the Web service settings back to the default.

- **LAN settings**

Returns the LAN settings back to the default.

- **Telephone no. data**

Returns the telephone/fax number settings to default.

- **Setting data**

Returns the settings such as the paper size, media type, or other setting items other than the network settings or the fax settings back to the default.

- **Fax settings**

Returns the fax settings back to the default. Disconnect the telephone line from the printer before you return this setting item back to the default.

After resetting, perform setup again as necessary.

- **All data**

Sets all settings you made to the printer back to the default. The administrator password specified by Remote UI or IJ Network Device Setup Utility reverts to the default setting.

After resetting, perform setup again as necessary.

»» Note

- You cannot set the following setting items back to the default:
 - The language displayed on the LCD
 - The current position of the print head
 - CSR (Certificate Signing Request) for encryption method (SSL/TLS) setting
 - The country or region selected for **Country or region**

You can delete the registered user's name or telephone number following the procedure below.

1. Displays **Add unit tel. number** or Displays **Add unit name**.

➡ [Setting Sender Information](#)

2. Delete all the numbers and the letters by pressing the **Back** button.

3. Press the **OK** button after deleting all the numbers and the letters.

Feed settings

Select this menu from **Setup menu**.

By registering the paper size and the media type loaded on the rear tray or in the cassette, you can prevent the printer from misprinting by displaying the message before printing starts when the paper size or the media type of the loaded paper differs from the print settings.

For details:

➔ [Paper Settings](#)

- **Save paper info**

Registers the paper size and the media type you load on the rear tray and in the cassette.

▶▶▶ **Note**

- Plain paper can only be loaded in the cassette.
- For more on the proper combination of paper settings you can specify by the printer driver (Windows) or on the LCD:
 - ➔ Paper Settings on the Printer Driver and the Printer (Media Type)
 - ➔ Paper Settings on the Printer Driver and the Printer (Paper Size)

- **Det. paper mismatch**

If you select **ON**, the printer detects whether the paper size and the media type are identical with those registered in **Save paper info**. If printing starts with the settings that do not match, an error message is displayed on the LCD.

Web service setup

Select this menu from **Setup menu**.

- **Connection setup**

The following setting items are available.

- **GoogleCloudPrint**

Registers/Deletes the printer to/from Google Cloud Print.

- **DNS server setup**

Performs settings for a DNS server. Select **Auto setup** or **Manual setup**. If you select **Manual setup**, follow the display on the LCD to perform settings.

- **Proxy server setup**

Performs settings for a proxy server. Select **Use** or **Do not use**. If you select **Use**, follow the display on the LCD to perform settings.

ECO settings

This setting allows you to turn on/off the printer automatically to save electricity.

- ➔ [Turning off Printer Automatically](#)
- ➔ [Turning on Printer Automatically](#)
- ➔ [Using Two-sided Printing](#)

Turning off Printer Automatically

You can enable the printer to turn off automatically when no operation is made or no printing data is sent to the printer for a specified period of time.

1. [Check that printer is turned on.](#)
2. Press the **Setup** button.
The **Setup menu** screen is displayed.
3. Select **ECO settings** and then press the **OK** button.
4. Select **EnergySaveSettings** and then press the **OK** button.
5. Select **Auto power off** and then press the **OK** button.
6. Select a time to turn off the printer and then press the **OK** button.

Turning on Printer Automatically

You can enable the printer to turn on automatically when printing data is sent to the printer or the printer is operated for scanning from the computer.

1. [Check that printer is turned on.](#)
2. Press the **Setup** button.
The **Setup menu** screen is displayed.
3. Select **ECO settings** and then press the **OK** button.
4. Select **EnergySaveSettings** and then press the **OK** button.
5. Select **Auto power on** and then press the **OK** button.
6. Select **ON** and then press the **OK** button.

Using Two-sided Printing

Follow the procedure below to use duplex printing.

1. [Check that printer is turned on.](#)
2. Press the **Setup** button.
The **Setup menu** screen is displayed.
3. Select **ECO settings** and then press the **OK** button.
4. Select **2-sidedPrintSetting** and then press the **OK** button.
5. Specify settings as necessary.
 - **Copy**
Select two-sided copying as a default.
 - **Template print**
Select two-sided printing of template forms on the printer as a default.
 - **Fax print**
Select two-sided printing of sent/received faxes, reports, or lists as a default.

Quiet setting

Enables this function on the printer if you want to reduce the operating noise, such as when printing at night. In addition, you can specify the time range to reduce the operating noise.

▶▶▶ Important

- Set the current date and time in advance.

➔ [Setting Sender Information](#)

Follow the procedure below to perform setting.

1. [Check that printer is turned on.](#)
2. Press the **Setup** button.
The **Setup menu** screen is displayed.
3. Select **Quiet mode** and then press the **OK** button.
4. Select **ON** or **Specify hrs of use** and then press the **OK** button.

- When **ON** is selected:

You can reduce the operating noise while printing is in progress.

- When **Specify hrs of use** is selected:

The screen to specify starting/ending time is displayed. Use the ◀▶ button to move the cursor under the desired position, use the Numeric buttons to enter the time, then press the **OK** button.

Start time	21:00
End time	07:00

You can reduce the operating noise during the specified time.

▶▶▶ Important

- Operating speed may be reduced compared to when **OFF** is selected.
- This function may not be so effective depending on the printer's setting. Furthermore, certain noise, such as when the printer is preparing for printing, is not reduced.

▶▶▶ Note

- You can set the quiet mode from the operation panel of the printer, the printer driver, or ScanGear (scanner driver). No matter how you set the quiet mode, the mode is applied when you perform operations from the operation panel of the printer or printing and scanning from the computer.

System information

Select this menu from **Setup menu**.

- **Current version**

Displays the current firmware version.

- **Printer name**

Displays the printer name currently specified.

- **Serial number**

Displays the printer serial number.

- **Printed sheet count**

Displays the printed sheet count in increments of 50 sheets. (Ex: In case of 25 sheets, [1-50] is displayed.)

Specifications

General Specifications

Interface	<p>USB Port: Hi-Speed USB *</p> <p>Network Port: Wired LAN: 100BASE-TX / 10BASE-T Wi-Fi: IEEE802.11n / IEEE802.11g / IEEE802.11b</p> <p>* A computer that complies with Hi-Speed USB standard is required. Since the Hi-Speed USB interface is fully upwardly compatible with USB 1.1, it can be used at USB 1.1.</p> <p>USB and the network can be used at the same time. Wi-Fi and wired LAN cannot be used at the same time.</p>
Operating environment	<p>Temperature: 41 to 95 °F (5 to 35 °C) Humidity: 10 to 90 % RH (no condensation)</p> <p>* The performance of the printer may be reduced under certain temperature and humidity conditions.</p> <p>Recommended conditions: Temperature: 59 to 86 °F (15 to 30 °C) Humidity: 10 to 80 % RH (no condensation)</p> <p>* For the temperature and humidity conditions of papers such as photo paper, refer to the paper's packaging or the supplied instructions.</p>
Storage environment	<p>Temperature: 32 to 104 °F (0 to 40 °C) Humidity: 5 to 95 % RH (no condensation)</p>
Power supply	<p>AC 100-240 V, 50/60 Hz (The supplied power cord is only for the country or region you purchased.)</p>
Power consumption	<p>Printing (Copy): 15 W or less *1 Standby (minimum): 1.0 W or less *1*2 OFF: 0.3 W or less</p> <p>*1 USB connection to a PC *2 The wait time for standby cannot be changed.</p>
External dimensions (W x D x H)	<p>Approx. 15.9 x 14.6 x 9.3 in. (Approx. 403 x 369 x 234 mm) * With the Cassette and trays retracted.</p>
Weight	<p>Approx. 21.0 lb (Approx. 9.6 kg) * With the Print Head installed.</p>

Scan Specifications

Scanner driver	Windows: TWAIN 1.9 Specification, WIA
Maximum scanning size	Platen: A4/Letter, 8.5" x 11.7"/216 x 297 mm ADF: A4/Letter/Legal, 8.5" x 14.0"/216 x 356 mm
Optical resolution (horizontal x vertical)	1200 x 2400 dpi * * Optical Resolution represents the maximum sampling rate based on ISO 14473.
Gradation (Input / Output)	Gray: 16 bit/8 bit Color: RGB each 16 bit/8 bit

Fax Specifications

Applicable line	Public Switched Telephone Network (PSTN) IP phone line (IP phone line with quality of no problem at all by using in conversation)
Communication mode	Super G3, G3
Data compressing system	Black: MH, MR, MMR Color: JPEG
Modem speed	max. 33.6 kbps (Automatic fallback)
Transmission speed	Black: Approx. 3 seconds/page at 33.6 kbps (Based on ITU-T No.1 chart for US specifications and Canon FAX Standard chart No.1 for others, both in standard mode.) Color: Approx. 1 minute/page at 33.6 kbps (Based on Canon COLOR FAX TEST SHEET.)
Gradation	Black: 256 levels Color: 24 bit Full Color (RGB each 8 bit)
Density adjustment	3 levels
Memory	Transmission/reception: approx. 50 pages (Based on ITU-T No.1 chart for US specifications and Canon FAX Standard chart No.1 for others, both in standard mode.)
Fax resolution	Black Standard: 203 pels/in. x 98 lines/in. (8 pels/mm x 3.85 lines/mm) Black Fine, Photo: 203 pels/in. x 196 lines/in. (8 pels/mm x 7.70 lines/mm) Black Extra fine: 300 x 300 dpi Color: 200 x 200 dpi
Dialing	Automatic dialing

	<ul style="list-style-type: none"> • Recipient (max. 20 destinations) • Group dial (max. 19 destinations) <p>Regular dialing (with Numeric buttons)</p> <p>Automatic redialing</p> <p>Manual redialing (max. 10 destinations)</p>
Others	<p>Activity report (after every 20 transactions)</p> <p>Sequential broadcasting (max. 21 destinations)</p> <p>Rejected numbers (max. 10 destinations)</p> <p>Err reduction (VoIP) *</p> <p>* For details, see "Err reduction (VoIP)" in "Adv. fax settings".</p>

Network Specifications

Communication protocol	SNMP, HTTP, TCP/IP (IPv4/IPv6)
Wired LAN	<p>Supported Standards: IEEE802.3u (100BASE-TX) / IEEE802.3 (10BASE-T)</p> <p>Transfer speed: 10 M/100 Mbps (auto switching)</p>
Wi-Fi	<p>Supported Standards: IEEE802.11n / IEEE802.11g / IEEE802.11b</p> <p>Frequency bandwidth: 2.4 GHz</p> <p>Channel: 1-11 or 1-13</p> <p>* Frequency bandwidth and available channels differ depending on country or region.</p> <p>Communication distance: Indoors 164 feet/50 m</p> <p>* Effective range varies depending on the installation environment and location.</p> <p>Security:</p> <p>WEP (64/128 bits)</p> <p>WPA-PSK (TKIP/AES)</p> <p>WPA2-PSK (TKIP/AES)</p> <p>Setup:</p> <p>WPS (Push button configuration/PIN code method)</p> <p>WCN (WCN-NET)</p> <p>Easy wireless connect</p>

Minimum System Requirements

Conform to the operating system's requirements when higher than those given here.

Windows

Operating System	Windows 10, Windows 8.1, Windows 7 SP1
-------------------------	--

	<p>Note: Operation can only be guaranteed on a PC with pre-installed Windows 7 or later.</p> <p>Printer driver, IJ Printer Assistant Tool, and IJ Network Device Setup Utility support the following OS:</p> <p>Windows Server 2008 R2 SP1, Windows Server 2012 R2, Windows Server 2016, and Windows Server 2019.</p>
Hard Disk Space	<p>2.0 GB or more</p> <p>Note: For bundled software installation.</p> <p>The necessary amount of hard disk space may be changed without notice.</p>

macOS

Operating System	OS X 10.11.6, macOS 10.12 - macOS 10.14
Hard Disk Space	<p>1.0 GB or more</p> <p>Note: For bundled software installation.</p> <p>The necessary amount of hard disk space may be changed without notice.</p>

Other Supported OS

iOS, Android, Windows 10 Mobile

Some functions may not be available with the supported OS.

Refer to the Canon web site for details.

Mobile Printing Capability

Apple AirPrint
Google Cloud Print
PIXMA Cloud Link
Windows 10 Mobile Print
Mopria Print Service

- Internet connection or CD-ROM drive is required to install the software for Windows.
- Windows: Some functions may not be available with Windows Media Center.
- Windows: The TWAIN driver (ScanGear) is based on the TWAIN 1.9 Specification and requires the Data Source Manager bundled with the operating system.
- macOS: For macOS, an internet connection is required during software installation.
- In an in-house network environment, the 5222 port must be open. Contact the network administrator for details.
- Internet connection is required to use all the user's guide.

Information in this manual is subject to change without notice.

Information about Paper

- ▶ **Supported Media Types**
 - Paper Load Limit
- ▶ **Unsupported Media Types**
- ▶ **Handling Paper**
- ▶ **Print Area**

Supported Media Types

For best results, choose paper designed for how you are printing. A variety of paper for documents as well as photos or illustrations is available from Canon. Use genuine Canon paper to print important photos, when possible.

- ➔ [Media Types](#)
- ➔ [Page Sizes](#)
- ➔ [Paper Weight](#)

Media Types

Genuine Canon paper

▶▶▶ Note

- For warnings on use of the non-printable side, see each product's usage information.
- Page sizes and media types differ depending on the country or region where the paper is sold. For details on page sizes and media types, access the Canon website.
- Genuine Canon paper is not available in some countries or regions. Note that in the United States, Canon paper is not sold by model number. Instead, purchase paper by name.

Paper for printing documents:

- Canon Red Label Superior <WOP111>
- Canon Océ Office Colour Paper <SAT213>
- High Resolution Paper <HR-101N>[*1](#)

Paper for printing photos:

- Photo Paper Pro Platinum <PT-101>
- Glossy Photo Paper "Everyday Use" <GP-501/GP-508>
- Photo Paper Glossy <GP-701>
- Photo Paper Plus Glossy II <PP-201/PP-208/PP-301>
- Photo Paper Pro Luster <LU-101>
- Photo Paper Plus Semi-gloss <SG-201>
- Matte Photo Paper <MP-101>

Paper for making original goods:

- Photo Stickers (16 stickers per sheet) <PS-108>
- Photo Stickers (Free Cutting) <PS-208>
- Photo Stickers (Variety Pack) <PS-808>
- Restickable Photo Paper <RP-101>
- Removable Photo Stickers <PS-308R>
- Magnetic Photo Paper <MG-101/PS-508>

Paper other than genuine Canon paper

- Plain Paper (including recycled paper)
- Envelopes*[1](#)
- Greeting Card*[1](#)

*1 Printing to this paper from the operation panel or from a PictBridge (Wi-Fi) compliant device is not supported.

- ➔ [Paper Load Limit](#)
- ➔ Paper Settings on the Printer Driver and the Printer (Media Type) (Windows)

▶▶▶ Note

- When printing photos saved on a PictBridge (Wi-Fi) compliant device, you must specify the page size and media type.
 - ➔ Printing from Digital Camera

Page Sizes

You can use the following page sizes.

▶▶▶ Note

- Page sizes and media types the printer supports differ depending on the OS you are using.

Standard sizes:

- Letter
- Legal
- A5
- A4
- B5
- KG/4"x6"(10x15)
- 5"x7"(13x18cm)
- 7"x10"(18x25cm)
- 8"x10"(20x25cm)
- L(89x127mm)
- 2L(127x178mm)
- Square 3.5"
- Square 4"
- Square 5"
- Hagaki
- Hagaki 2
- Envelope Com 10

- Envelope DL
- Nagagata 3
- Nagagata 4
- Yougata 4
- Yougata 6
- Card 2.17"x3.58"

Special sizes

Special page sizes must be within the following limits:

- rear tray
 - Minimum size: 2.17 x 3.51 in. (55.0 x 89.0 mm)
 - Maximum size: 8.50 x 26.61 in. (215.9 x 676.0 mm)
- cassette
 - Minimum size: 5.83 x 8.27 in. (148.0 x 210.0 mm)
 - Maximum size: 8.50 x 11.69 in. (215.9 x 297.0 mm)

Paper Weight

You can use paper in the following weight range.

- Plain paper: From 17 to 28 lb (64 to 105 g /m²)
- Specialty paper: Up to 53 lb (200 g /m²)

Paper Load Limit

This section shows the paper load limits of the rear tray, the cassette, and the paper output tray.

➔ [Paper Load Limits of Rear Tray and Cassette](#)

➔ [Paper Load Limit of Paper Output Tray](#)

▶▶▶ Note

- Page sizes and media types differ depending on the country or region where the paper is sold. For details on page sizes and media types, access the Canon website.

Paper Load Limits of Rear Tray and Cassette

Genuine Canon Paper

Paper for printing documents:

Media Name <Model No.>	Rear Tray	Cassette
Canon Red Label Superior <WOP111>	A4: Approx. 100 sheets	A4: Approx. 250 sheets
Canon Océ Office Colour Paper <SAT213>	A4: Approx. 80 sheets	A4: Approx. 200 sheets
High Resolution Paper <HR-101N> ^{*1}	A4, B5, Letter: Approx. 80 sheets	N/A

Paper for printing photos:

Media Name <Model No.>	Rear Tray
Photo Paper Pro Platinum <PT-101> ^{*2} Glossy Photo Paper "Everyday Use" <GP-501/ GP-508> ^{*2} Photo Paper Glossy <GP-701> ^{*2} Photo Paper Plus Glossy II <PP-201/PP-208/PP-301> ^{*2} Photo Paper Pro Luster <LU-101> ^{*2} Photo Paper Plus Semi-gloss <SG-201> ^{*2} Matte Photo Paper <MP-101>	A4, Letter, 5"x7"(13x18cm), 8"x10"(20x25cm), 2L(127x178mm): 10 sheets KG/4"x6"(10x15), L(89x127mm), Square 3.5", Square 4", Square 5", Hagaki: 20 sheets

Paper for making original goods:

Media Name <Model No.>	Rear Tray
Photo Stickers (16 stickers per sheet) <PS-108> Photo Stickers (Free Cutting) <PS-208> Photo Stickers (Variety Pack) <PS-808> Restickable Photo Paper <RP-101> Removable Photo Stickers <PS-308R> Magnetic Photo Paper <MG-101/PS-508>	1 sheet

Paper other than Genuine Canon Paper

Common Name	Rear Tray	Cassette
Plain Paper (including recycled paper)*1	Approx. 100 sheets (Legal: 10 sheets)	Approx. 250 sheets
Envelopes	10 envelopes	N/A
Greeting Card	Letter, 7"x10"(18x25cm): 1 sheet	N/A

*1 Normal feeding at maximum capacity may not be possible with some types of paper, or under very high or low temperature or humidity. In this case, load half the amount of paper or less.

*2 Feeding from a loaded stack of paper may leave marks on the printed side or prevent efficient feeding. In this case, load one sheet at a time.

Paper Load Limit of Paper Output Tray

Genuine Canon Paper

Paper for printing documents:

Media Name <Model No.>	Paper Output Tray
Canon Red Label Superior <WOP111> Canon Océ Office Colour Paper <SAT213> High Resolution Paper <HR-101N>	Approx. 50 sheets

Paper other than Genuine Canon Paper

Common Name	Paper Output Tray
Plain Paper (including recycled paper)	Approx. 50 sheets (Legal: 10 sheets)

When continuing printing with paper other than the above, we recommend removing already printed paper or envelopes from the paper output tray to avoid smearing or discoloration.

Unsupported Media Types

Do not use the following types of paper. Using such paper will cause not only unsatisfactory results, but also the printer to jam or malfunction.

- Folded, curled, or wrinkled paper
- Damp paper
- Paper thinner than a postcard, including plain paper or notepad paper cut to a small size (when printing on paper smaller than A5)
- Picture postcards
- Postcards
- Envelopes with a double flap
- Envelopes with an embossed or treated surface
- Envelopes whose gummed flaps are already moistened and adhesive
- Any type of paper with holes
- Paper that is not rectangular
- Paper bound with staples or glue
- Paper with an adhesive surface on the back such as label seal
- Paper decorated with glitter, etc.

Handling Paper

- Be careful not to rub or scratch the surfaces of any types of paper when handling.
- Hold the paper as closely as possible to its edges and try not to touch the printing surface. The print quality may be degraded if the printing surface is smudged with sweat or oil that comes from your hands.
- Do not touch the printed surface until the ink is dried. Even when the ink is dried, be careful not to touch the printed surface as much as possible when handling. Due to the nature of the pigment ink, the ink on the printed surface may be removed when being rubbed or scratched.
- Take out only the necessary number of paper from the package, just before printing.
- To avoid curling, when you do not print, put unused paper back into the package and keep it on a level surface. And also, store it avoiding heat, humidity, and direct sunlight.

Economy Mode

By setting **Print quality** to **Economy**, the consumption of black ink can be reduced. More printing is available compared with when **Print quality** is set to **Standard**.

For color printing or color copying, the consumption of black ink can be reduced, though the consumption of color ink is the same as that when **Standard** is set.

- **Number of printable sheets**

Number of printable sheets per pigment black ink bottle (A4 plain paper) when printing in color

Standard mode: 6,000 sheets

Economy mode: 8,300 sheets

- **Measurement conditions**

- Measurement images:

Color printing: A4 color document ISO/IEC24712

Black & white printing: A4 monochrome document ISO/IEC19752

- Measurement method:

Canon original

- Paper type:

Plain paper

- Print driver setting:

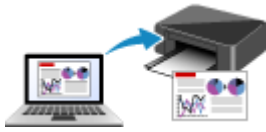
Setting to the default for plain paper, setting **Grayscale Printing** to ON when measuring in black and white.

- Borderless printing :

OFF

*The number of printable sheets is calculated based on the ink bottle filled from the second time on, instead of the ink bottle filled when the printer is used for the first time.

Printing



Printing from Computer



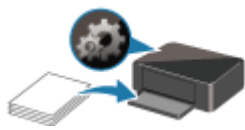
Printing from Smartphone/Tablet



Printing Using Operation Panel



Printing from Digital Camera



Paper Settings

Printing from Computer

- ▶ **Printing from Application Software (Windows Printer Driver)**
- ▶ **Printing from Application Software (macOS AirPrint)**
- ▶ **Printing Using Canon Application Software**
- ▶ **Printing Using a Web Service**

Printing from Application Software (macOS AirPrint)

- **Printing** 📄 **Basic**
- **Perform Borderless Printing**
- **Printing on Postcards**
- **Adding Printer**
- **How to Open Printer Settings Screen**
- **Displaying the Printing Status Screen**
- **Deleting the Undesired Print Job**
- **Removing Printer That Is No Longer Required from List of Printers**

Printing

This printer is compatible with the macOS standard printing system (AirPrint). You can start printing right away after connecting this printer to your Mac without installing any special software.



Checking Your Environment

First, check your environment.

- AirPrint Operation Environment
 - Mac running the latest version of OS
- Requirement
 - The Mac and the printer must be connected by one of the following methods:
 - Connected to the same network over a **LAN**
 - Connected directly without wireless router (Direct Connection)
 - Connected by USB

Print from a Mac

1. [Check that printer is turned on](#)

▶▶▶ Note

- If **Auto power on** is enabled, printer automatically turns itself on when receiving a print job.

2. [Load paper](#) in printer
3. Select paper size and paper type from printer

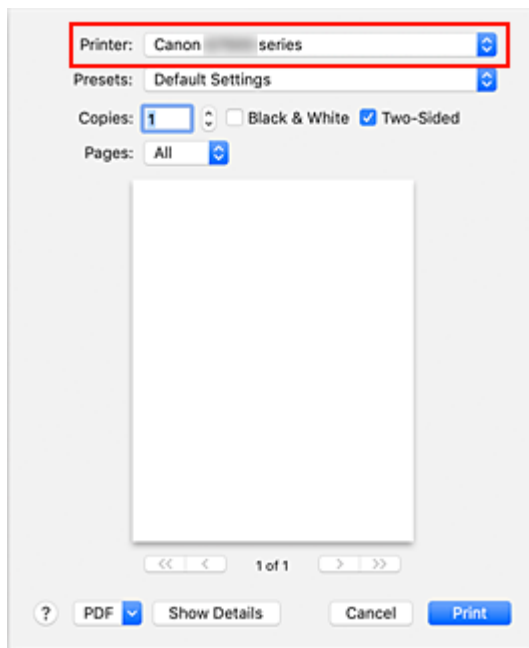
Register the set paper size and paper type on the printer operation panel.
For instructions, see "[Paper Settings](#)."

4. Start printing from your application software

The Print dialog opens.

5. Select printer

Select your model from the **Printer** list in the Print dialog.



➤➤➤ Note

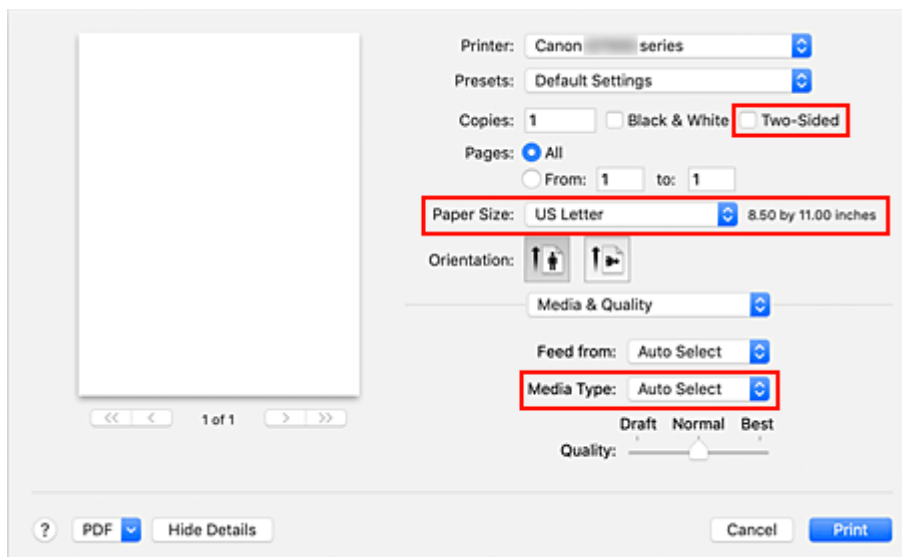
- Click **Show Details** to switch the setup window to the detailed display.

6. Check print settings

Set items such as **Paper Size** to the appropriate size, as well as **Feed From** and **Media Type** from **Media & Quality** of the pop-up menu.

Select **Auto Select** for **Media Type**.

Remove the **Two-Sided** check mark if you are not printing on both sides of the paper.



➤➤➤ Important

- An error may occur if the paper size set in the print dialog is different from the paper size registered on the printer. Select the correct items on the print dialog and the printer that correspond to the paper being printed.
- If printing in **A4**, **A5**, **JIS B5**, or **US Letter**, set the desired feed position (**Main Tray** or **Rear Tray**) from **Feed From** of the print dialog. If **Auto Select** is selected in **Feed From**, the feed

position differs depending on **Media Type**. If **Media Type** is set to plain paper, it is fed from the cassette (main tray). If set to other types of paper, it is fed from the rear tray.

- If printing paper such as photo paper and postcards that cannot be printed on both sides, uncheck the **Two-Sided** checkbox.

▶▶▶ Note

- Use the Print dialog to set general print settings such as the layout and the print sequence. For information about print settings, refer to macOS help.

7. Click **Print**




The printer prints according to the specified settings.

▶▶▶ Note

- It can take the Wi-Fi a few minutes to get connected after the printer turns on. Print after checking that the printer is connected to the network.
- You cannot print if Bonjour settings of printer are disabled. Check **LAN** settings of printer and enable Bonjour settings.
- Refer to "Cannot Print Using AirPrint" for printing problems.
- The display of the settings screen may differ depending on the application software you are using.

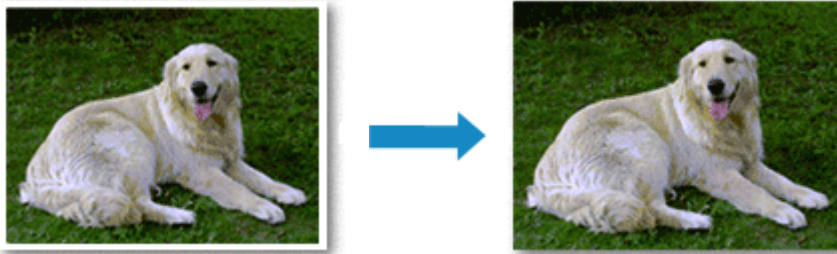
Printing of Envelopes

For printing on the envelope from Mac, refer to the following.

Print result image	Orientation of print data	Orientation of loading envelope
	 <p>The print data is rotated by 180 degrees against the print result image.</p>	 <p>Load the envelope in vertically with the address side facing up so that the folded flap of the envelope will be faced down on the right side.</p>

Perform Borderless Printing

The borderless printing function allows you to print data without any margin by enlarging the data so that it extends slightly off the paper. In standard printing, margins are created around the document area. However, in borderless printing function, these margins are not created. When you want to print data such as a photo without providing any margin around it, set borderless printing.



The procedure for performing borderless printing is as follows:

Setting Borderless Printing

1. Set the **Amount of extension** on the printer operation panel

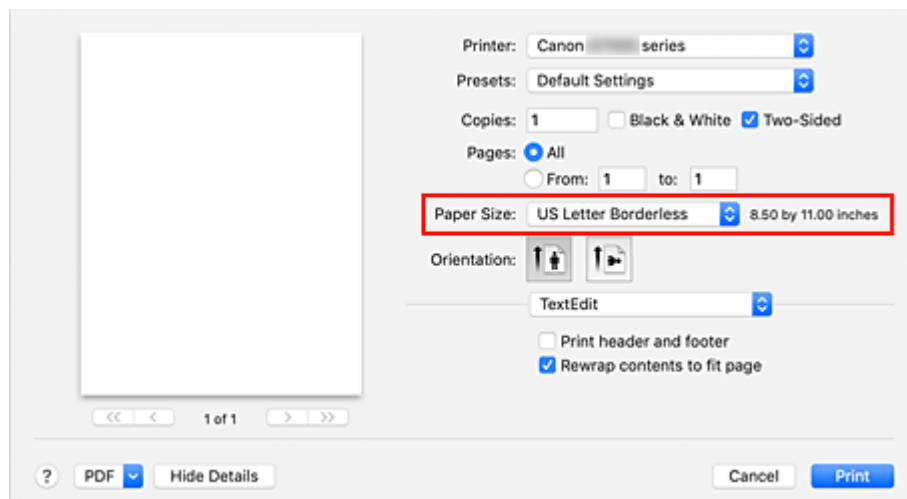
For information on how to set the amount of extension, see "[Print settings](#)."

►►► Important

- When the **Amount: Large** is set, the back side of the paper may become smudged.

2. Select sheet size for borderless printing

Select **XXX Borderless** for **Paper Size** from the print dialog.



3. Click **Print**

When you perform print, the data is printed without any margins on the paper.

▶▶▶ Important

- Borderless printing only supports specific paper sizes. Make sure to select a paper size with the wording "Borderless" from the **Paper Size**.
- Print quality may deteriorate or the sheet may be stained at the top and bottom depending on the type of paper used.
- When the ratio of the height to the width differs from the image data, a portion of the image may not be printed depending on the size of the media used.
In this case, crop the image data with an application software according to the paper size.
- When scaled printing or page layout printing is enabled, you cannot perform borderless printing.

▶▶▶ Note

- The use of borderless printing is not recommended if plain paper is selected for **Media Type** in **Media & Quality**.

Expanding the Range of the Document to Print

Setting a large amount of extension allows you to perform borderless printing with no problems. However, the portion of the document extending off the paper range will not be printed and for this reason, the subjects around the perimeter of a photo may not be printed.

If you are not satisfied with the borderless printing results, reduce the amount of extension in printer operation panel.

▶▶▶ Important

- When the amount of extension is decreased, an unexpected margin may be produced on the print, depending on the size of the paper.

▶▶▶ Note

- When the **Amount: Minimum** is set, image data will be printed in the full size. If you set this when printing the address side of a postcard, the postal code of the sender is printed in the correct position.

Printing on Postcards

This section describes the procedure for printing on postcards.

1. [Load postcards](#) in printer
2. Select paper size and paper type from the printer

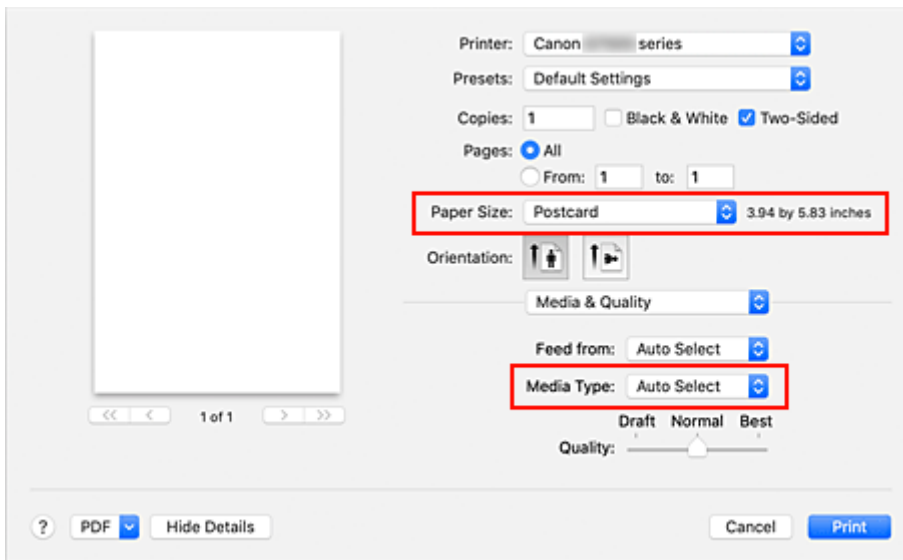
Register **Hagaki** for paper size from the printer operation panel.

Also, register **Hagaki**, **IJ Hagaki**, or **Hagaki K** for paper type, according to your purpose. When you print on the address side, register **Hagaki**.

3. Select **Paper Size** and **Media Type** from the print dialog

Select **Postcard** or **Postcard Borderless** for **Paper Size** from the print dialog. When you print on the address side, select **Postcard**.

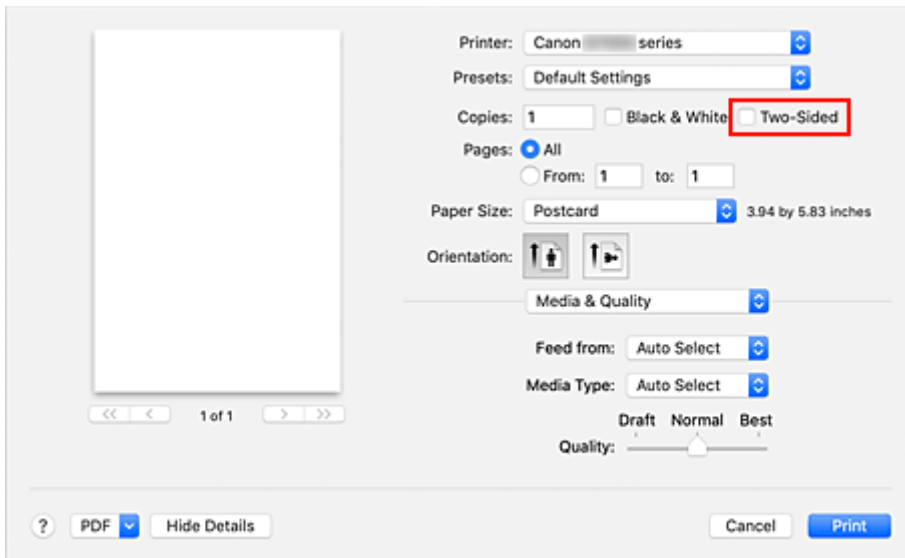
Select **Auto Select** for **Media Type** from the print dialog.



Important

- This printer cannot print on postcards that have photos or stickers attached.

4. Uncheck **Two-Sided**



»»» Important

- Two-sided printing is not possible for postcards, so remove the **Two-Sided** check mark. If you print with the **Two-Sided** check mark on, the printing result may not be as you intended.
- You will get cleaner printing if you print the message side first and then print the address side.

5. Click **Print**

The printer prints according to the specified settings.

Adding Printer

Procedure for adding printer to your Mac is explained.

To re-add a printer that was deleted, open **System Preferences** -> **Printers & Scanners**, click **+** next to the printer list, and then perform the procedure described below.

If your printer is connected via USB, and you connect the USB cable to a Mac, the printer is automatically added. The below procedure is not necessary in this case.

1. Check whether **Default** is selected in the displayed dialog

▶▶▶ Note

- It may take a little time for the name of your printer to appear.

2. Select the printer

Select the printer listed as **Bonjour Multifunction**.

▶▶▶ Note

- Check the following if printer does not appear.
 - Printer is on
 - Firewall function of the security software is off
 - In case of Wi-Fi connection: Printer is either connected to the wireless router or directly connected to the PC (Direct Connection)
 - In case of wired **LAN** connection: Printer is connected to the network device via **LAN** cable

3. Select **Secure AirPrint** from **Use**

4. Click **Add**

The printer is added to your Mac.

How to Open Printer Settings Screen

The settings screen of the printer can be displayed from your application software.

Opening the Page Setup Dialog

Use this procedure to set the page (paper) settings before printing.

1. Select **Page Setup...** from the **File** menu of the application software

The Page Setup dialog opens.

Opening the Print Dialog

Use this procedure to set the print settings before printing.

1. Select **Print...** from the **File** menu of the application software


The Print dialog opens.

Displaying the Printing Status Screen

Check the print progress according to the following procedure:

1. Launch the printing status screen

- If the print data has been sent to the printer

The printing status screen opens automatically. To display the printing status screen, click the  (the printer icon) displayed on the Dock.

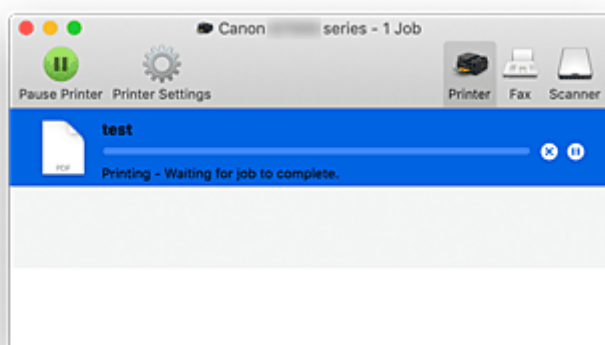
- If the print data has not been sent to the printer






Open **System Preferences**, and select **Printers & Scanners**.

To display the printing status screen, select the name of your printer model from the printer list, and then click **Open Print Queue...**

2. Check the printing status

You can check the name of the file being printed or ready for being printed.



-  Deletes the specified print job.
-  Stops printing the specified document.
-  Resumes printing the specified document.
-  Stops printing all documents.
-  Displayed only when printing of all documents is being stopped, and resumes printing all documents.

»» Important

- If an error occurs, an error message will appear on the printing progress confirmation screen.
- The content of the error message may differ depending on the OS version.
- The printer part names in the error message may differ from what is listed in this manual.
- If the content of the error message is difficult to understand, check the error message displayed on the printer operation panel.


Deleting the Undesired Print Job

If the printer does not start printing, canceled or failed print job data may be remaining. Delete unnecessary print jobs from the print status check screen.

1. Open **System Preferences**, and select **Printers & Scanners**

2. Select your model, and then click **Open Print Queue...**

The print status check screen appears.

3. Select the unnecessary print job and click  (Delete)

The selected print jobs will be deleted.

Removing Printer That Is No Longer Required from List of Printers

The printer that is no longer in use can be removed from the list of printers. Before removing the printer, remove the cable connecting the printer and PC.

You cannot remove the printer if not logged in as the administrator. For information about an administrative user, see **Users & Groups** from **System Preferences**.

1. Open **System Preferences**, and select **Printers & Scanners**

2. Delete printer from list of printers

Select the printer you wish to remove from the list of printers and click -.

Click **Delete Printer** when the confirmation message appears.

Printing Using Canon Application Software

- ▶ Easy-PhotoPrint Editor Guide

Printing from Smartphone/Tablet

- ▶ **Printing from iPhone/iPad/iPod touch (iOS)**
- ▶ **Printing from Smartphone/Tablet (Android)**
- ▶ **Printing from Windows 10 Mobile Device**
- ▶ **Printing/Scanning with Wireless Direct**

Printing/Scanning with Wireless Direct

You can connect devices (e.g. computer, smartphone, or tablet) to the printer by two methods below.

- Wireless connection (connecting devices via a wireless router)
- Direct wireless connection (connecting devices using Wireless Direct)

This section describes Wireless Direct, which allows you to print or scan by connecting the devices to the printer directly.

Follow the procedure below to use Wireless Direct.

1. Preparing the printer.
 - ➔ [Changing Printer Setting to Use Wireless Direct](#)
2. Preparing a device to connect to the printer.
 - ➔ [Changing Settings of a Device and Connecting It to the Printer](#)
3. Printing/Scanning.
 - ➔ [Printing/Scanning with Wireless Direct](#)

»» Important

- You can connect up to 5 devices to the printer at the same time.
- Check the usage restrictions and switch the printer to the Wireless Direct.
 - ➔ [Restrictions](#)

Changing Printer Setting to Use Wireless Direct

1. [Check that printer is turned on.](#)
2. Press the **Setup** button.

The **Setup menu** screen is displayed.
3. Select **Device settings** and then press the **OK** button.
4. Select **LAN settings** and then press the **OK** button.
5. Select **Wireless Direct** and then press the **OK** button.
6. Select **Switch WL Direct** and then press the **OK** button.
7. Select **Yes** and then press the **OK** button.

When the setting is completed, the **Wireless router info** screen is displayed.
8. Select **Done** and then press the **OK** button.

The Wireless Direct is enabled and a device can be connected to the printer wirelessly.

▶▶▶ Note

- You can check the following on the **Wireless router info** screen. Use the ◀▶ button to select an item you want to check and then press the **OK** button.

- **Network name(SSID):** Identifier

- **Security protocol:** Security setting and password

- **WL Direct dev. name:** Printer name displayed on a Wi-Fi Direct compatible device

The password is required when connecting a device to the printer. Depending on the device you are using, no password is required.

When you connect a Wi-Fi Direct compatible device to the printer, select the printer name from your device.

- For details on how to update the identifier (SSID) and the security setting, refer to the following.

- ➔ [Changing Wireless Direct Setting](#)

Changing Settings of a Device and Connecting It to the Printer

1. Turn on Wi-Fi function on your device.

Enable "Wi-Fi" on your device's "Setting" menu.

For more on turning on Wi-Fi function, see your device's instruction manual.

2. Select "DIRECT-XXXX-G7000series" ("X" represents alphanumeric characters) from list displayed on your device.

▶▶▶ Note

- If "DIRECT-XXXX-G7000series" does not appear on the list, Wireless Direct is not enabled.

See [Changing Printer Setting to Use Wireless Direct](#) to enable Wireless Direct.

3. Enter password.

Your device is connected to the printer.

▶▶▶ Note

- You can check the password by printing the network settings from the printer.

- ➔ [Printing Network Settings](#)

- Depending on the device you are using, no password is required.

- If your Wi-Fi Direct compatible device is set to prioritize using Wi-Fi Direct and it is connecting to the printer, the printer displays a confirmation screen asking if you allow the device to connect to the printer.

Make sure the name on the LCD is the same as that of your wireless communication device and select **Yes** and press the **OK** button.

Printing/Scanning with Wireless Direct

After connecting a device and the printer, start printing/scanning from the application of your device.

▶▶▶ Note

- For more on printing or scanning from a device via Wi-Fi, refer to the device's or application's instruction manual.
- You can print/scan from your smartphone or tablet by installing Canon PRINT Inkjet/SELPHY. Download it from App Store and Google Play.
 - ➔ For iOS
 - ➔ For Android

Changing Wireless Direct Setting

Change the settings for the Wireless Direct following the procedure below.

1. [Check that printer is turned on.](#)
2. Press the **Setup** button.
The **Setup menu** screen is displayed.
3. Select **Device settings** and then press the **OK** button.
4. Select **LAN settings** and then press the **OK** button.
5. Select **Wireless Direct** and then press the **OK** button.
6. Select a setting item and then press the **OK** button.

Change name (SSID)

Updates the identifier (SSID) for Wireless Direct or the printer name displayed on a Wi-Fi Direct compatible device.

• Manual setup

1. Select **Manual setup** and then press the **OK** button.
2. Enter new printer name and then press the **OK** button.
3. Confirm your entries and press the **OK** button.

• Auto update

1. Select **Auto update** and then press the **OK** button.
2. Select **Yes** and then press the **OK** button.
3. Select **Done** and then press the **OK** button.

If you select **Network name(SSID)** and press the **OK** button, you can check the updated identifier (SSID).

Change password

- **Manual setup**

1. Select **Manual setup** and then press the **OK** button.
2. Enter new password and then press the **OK** button.

- **Auto update**

1. Select **Auto update** and then press the **OK** button.
2. Select **Yes** and then press the **OK** button.
3. Select **Done** and then press the **OK** button.

If you select **Security protocol** instead of **Done**, you can check the updated password.

Confirm request

To display the confirmation screen when a Wi-Fi Direct compatible device is connecting to the printer, select **Yes** and press the **OK** button.

▶▶▶ Important

- To prevent an unauthorized access, we recommend you should select the setting to display the confirmation screen.

▶▶▶ Note

- If you change the Wireless Direct setting of the printer, also change the wireless router setting of the device.

Paper Settings

By registering the paper size and the media type loaded on the rear tray or in the cassette, you can prevent the printer from misprinting by displaying the message before printing starts when the paper size or the media type of the loaded paper differs from the print settings.

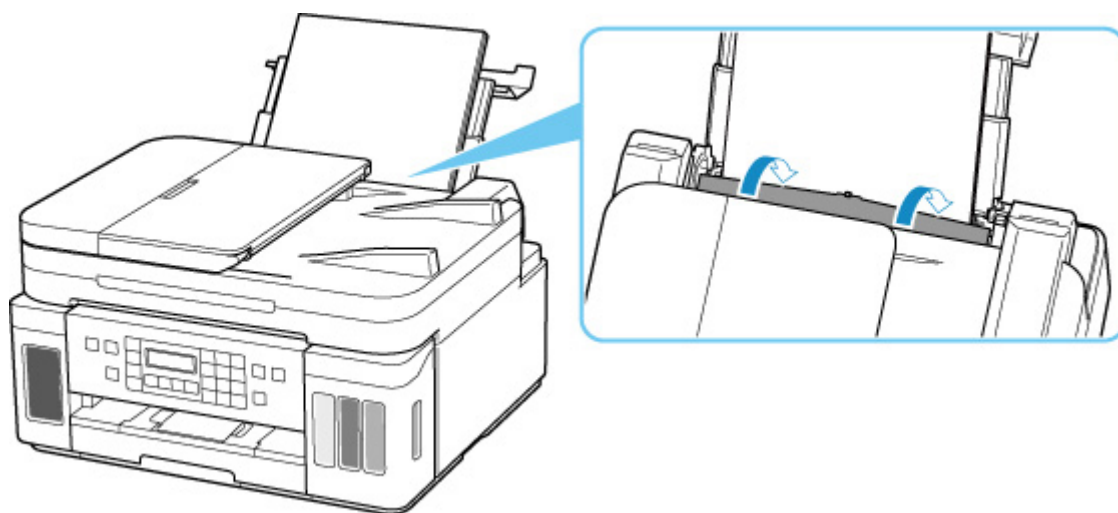
▶▶ Note

- The default display setting is different between when you print or copy from the operation panel of the printer, when you print from Smartphone/tablet, when you print from Windows, and when you print from macOS.

➔ [Default Setting for Displaying the Message which Prevents Misprinting](#)

After loading paper:

- When you close the feed slot cover:



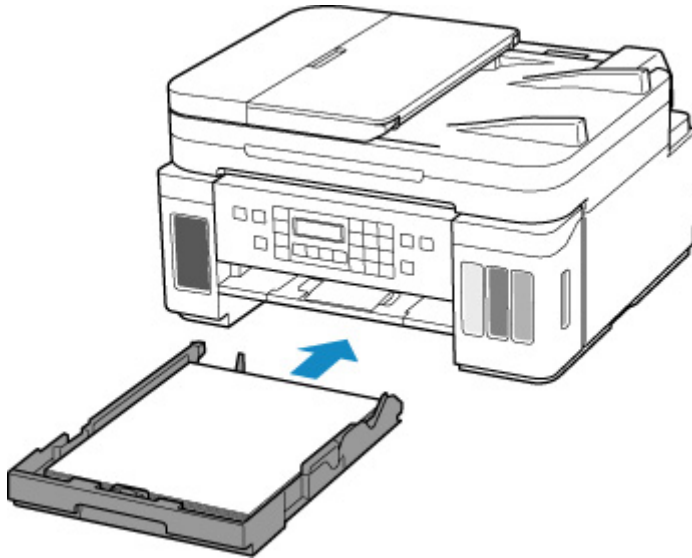
The screen to register the rear tray paper information is displayed.

Save the rear tray paper
[OK]Next

Size: ◀ *A4 ▶
Type: *Plain paper

Register the paper size and the media type according to the loaded paper.

- When you insert the cassette:



The screen to register the cassette paper information is displayed.

Save the cassette paper
[OK]Next



Size: ◀ *A4 ▶
Type: *Plain paper

Register the page size according to the paper loaded in the cassette.

* You can load only plain paper in the cassette.

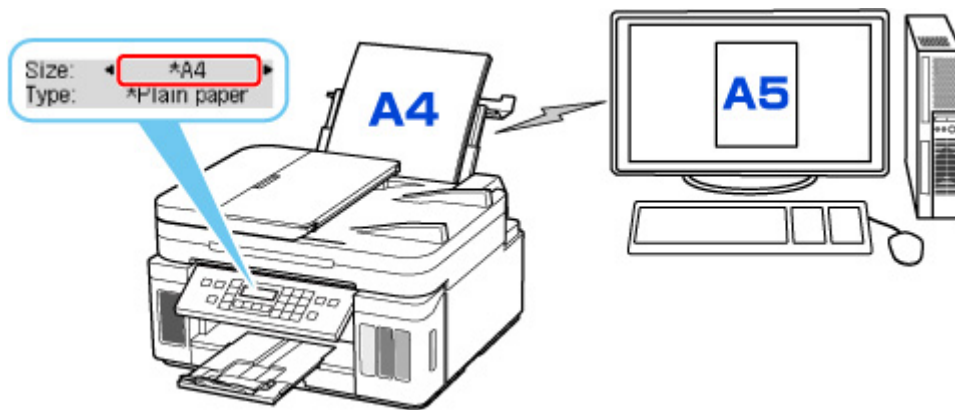
►► Important

- For more on the proper combination of paper settings you can specify by the printer driver for Windows and on the LCD:
 - ➡ Paper Settings on the Printer Driver and the Printer (Media Type)
 - ➡ Paper Settings on the Printer Driver and the Printer (Paper Size)

When the paper settings for printing/copying are different from the paper information registered to the printer:

Ex:

- Paper settings for printing/copying: A5
- Paper information registered to the printer: A4



When you start printing or copying, a message is displayed.

Pressing the **OK** button displays the paper setting specified for printing or copying under the message.

Please choose one of the following.

▶▶▶ Note

- Depending on the setting, the choices below may not be displayed.

Print on set paper

Select if you want to print/copy on the paper loaded without changing the paper settings.

For example, when the paper setting for printing/copying is A5 and the paper information registered to the printer is A4, the printer starts printing/copying on the paper loaded in the rear tray or in the cassette without changing the paper size setting for printing/copying.

Replace the paper

Select if you want to print after replacing the paper of the rear tray or the cassette.

For example, when the paper size setting for printing/copying is A5 and the paper information registered to the printer is A4, you load A5 sized paper in the rear tray or in the cassette before you start printing/copying.

The paper information registration screen is displayed after replacing the paper. Register the paper information according to the paper that you loaded.

▶▶▶ Note

- For more on the proper combination of paper settings you can specify by the printer driver for Windows and on the LCD:
 - ➡ Paper Settings on the Printer Driver and the Printer (Media Type)
 - ➡ Paper Settings on the Printer Driver and the Printer (Paper Size)

Cancel

Cancels printing.

Select when you change the paper settings specified for printing/copying. Change the paper settings and try printing/copying again.

Default Setting for Displaying the Message which Prevents Misprinting

- **When you print/copy using the operation panel of the printer or when you print from smartphone/tablet:**

The message which prevents misprinting is enabled by default.

To change the setting:

➔ [Feed settings](#)

- **When you print from Windows:**

The message which prevents misprinting is disabled by default.

To change the setting:

➔ Changing the Printer Operation Mode

- **When you print from macOS:**

The message which prevents misprinting is enabled by default.

To change the setting:

➔ [Changing the Printer Operation Mode](#)

►► Important

- When the message which prevents misprinting is disabled:

The printer starts printing/copying even though the paper settings for printing/copying and the paper information registered to the printer are different.

Copying



Making Copies Basics



Reducing/Enlarging Copies



Two-Sided Copying



Collated Copying



Special Copy Menu



Copying Using Smartphone or Tablet

Making Copies

This section describes the basic procedure to perform standard copying.

1. [Check that printer is turned on.](#)
2. [Load paper.](#)
3. Press the **COPY** button.
The Copy standby screen is displayed.
4. [Load original document on platen or in ADF \(Auto Document Feeder\).](#)
5. Confirm the page size (A) and magnification (B).



▶▶▶ Note

- To change or confirm the page size, magnification, or other settings, press the **MENU** button, then use the ◀▶ button to display the desired setting item.
 - ➔ [Setting Items for Copying](#)
- Press the **COPY** button to reset the magnification to 100%.

6. Use the ◀▶ button or the Numeric buttons to specify the number of copies.
7. Press the **Black** button or the **Color** button.

The printer starts copying.

Remove the original on the platen or from the document output slot after copying is complete.

▶▶▶ Important

- If you load the original on the platen, do not open the document cover or remove the original while **Scanning...** is displayed on the screen.
- If you load the original in the ADF, do not move the original until copying is complete.

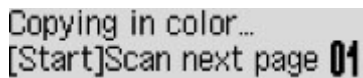
▶▶▶ Note

- To cancel copying, press the **Stop** button.
- If you load the original on the platen, you can add the copying job while printing.
 - ➔ [Adding the Copying Job \(Reserve copy\)](#)

Adding the Copying Job (Reserve copy)

If you load the original on the platen, you can add the copying job while printing (Reserve copy).

The screen like shown below is displayed when you can reserve copy.



Copying in color...
[Start]Scan next page 01

Load the original on the platen and press the same button (the **Color** button or the **Black** button) as the one which you previously pressed.

►► Important

- When you load the original on the platen, open and close the document cover gently.

►► Note

- When **Print quality** is set **High**, or you load the original in the ADF, you cannot add the copying job.
- When you add the copying job, the number of copies or the settings such as the page size or media type cannot be changed.
- If you press the **Stop** button while reserve copying is in progress, the screen to select the method to cancel copying is displayed. If you select **Cancel all reserv.** then press the **OK** button, you can cancel copying all scanned data. If you select **Cancel last reserv.** then press the **OK** button, you can cancel the last copying job.
- If you set a document of too many pages to reserve copy, **Memory is full** may appear on the LCD. Press the **OK** button and wait a while, then try copying again.
- If **Try again** appears on the LCD when scanning, press the **OK** button, then press the **Stop** button to cancel copying. After that, copy the documents that have not been finished copying.

Setting Items for Copying

You can change the copy settings such as the page size, media type, and intensity.

In the copy mode, press the **MENU** button, use the ◀▶ button to select a setting item, then press the **OK** button.

Use the ◀▶ button to adjust each setting item, then press the **OK** button. The next setting item is displayed.

The LCD returns to the Copy standby screen when all the settings are complete.

▶▶▶ Note

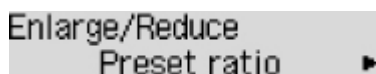
- The * (asterisk) on the LCD indicates the current setting.
- Some settings cannot be specified in combination with the setting of other setting items or the copy menu.
- The settings of the page size, media type, etc. are retained even if the printer is turned off.

• Enlarge/Reduce

Select the reduction/enlargement method.

- ➔ Reducing/Enlarging Copies

Ex:



Enlarge/Reduce
Preset ratio ▶

▶▶▶ Note

- This setting item is displayed under the following conditions.
 - When standard copying is selected
 - When **Borderless copy** is selected for **Special copy**

• Copy intensity

Change the intensity (brightness).

Ex:



Copy intensity
◀ *Manual adjust

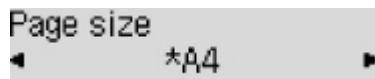
▶▶▶ Note

- If you select **Auto adjust**, load the original on the platen.
- If you select **Manual adjust**, use the ◀ button to decrease the intensity or the ▶ button to increase it.

• Page size

Select the page size of the loaded paper.

Ex:



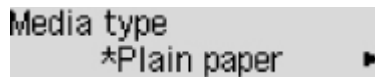
»»» Note

- Some of setting items are not available depending on the country or region of purchase.

• Media type

Select the media type of the loaded paper.

Ex:



• Paper Source

Select a paper source (**Rear tray/Cassette/Auto**) where paper is loaded.

»»» Note

- When **Auto** is selected, paper is fed from the paper source where the paper that matches the paper settings (page size and media type) is loaded.

• Print quality

Select the print quality according to the original.

Ex:



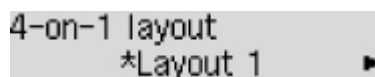
»»» Note

- If you use **Economy** with the media type set to **Plain paper** and the quality is not as good as expected, select **Standard** or **High** and try copying again.
 - ➔ [Economy Mode](#)
- Select **High** to copy in grayscale. Grayscale renders tones in a range of grays instead of black or white.

• 4-on-1 layout

Select the layout when copying four original pages onto a single sheet of paper by reducing each image. Four different layouts are available.

Ex:



»»» Note

- This setting item is displayed only when **4-on-1 copy** is selected for **Special copy**.
 - ➔ Copying Four Pages onto Single Page

- **Collate**

Select whether to obtain sorted printouts when making multiple copies of a multi-paged original.

➔ Collated Copying

Ex:



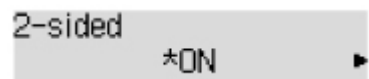
➤➤➤ **Note**

- This setting item is displayed when standard copying is selected.

- **2-sided**

Select whether to perform two-sided copying.

Ex:



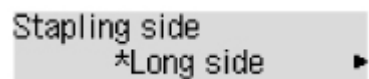
➤➤➤ **Note**

- This setting item is displayed only when **2-sided copy** is selected for **Special copy**.
➔ Two-Sided Copying

- **Stapling side**

Select the orientation and the stapling side of the printed paper.

Ex:



➤➤➤ **Note**

- This setting item is displayed only when **2-sided copy** is selected for **Special copy**.
➔ Two-Sided Copying

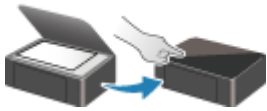
Scanning



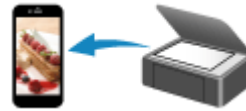
Scanning from Computer (Windows)



Scanning from Computer (macOS)



Scanning from Operation Panel



Scanning Using Smartphone/Tablet

Scanning from Computer (macOS)


➤ Scanning According to Item Type or Purpose (IJ Scan Utility Lite)

- IJ Scan Utility Lite Features
- Scanning Easily (Auto Scan) 📄 **Basics**
- Scanning Documents and Photos

➤ Scanning Tips

- Positioning Originals (Scanning from Computer)

Scanning According to Item Type or Purpose (IJ Scan Utility Lite)

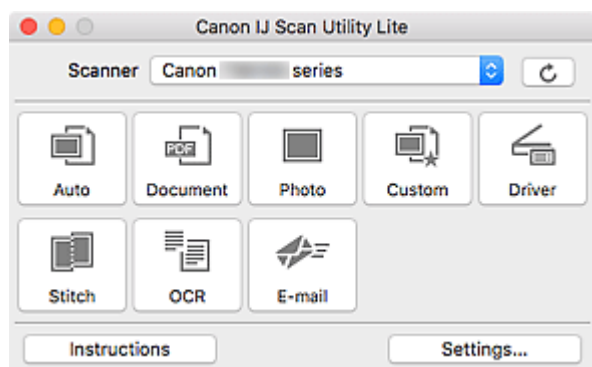
- ▶ **IJ Scan Utility Lite Features**
- ▶ **Scanning Easily (Auto Scan)**  **Basics**
- ▶ **Scanning Documents and Photos**

Important

- Available functions and settings vary depending on your scanner or printer.

IJ Scan Utility Lite Features

Use IJ Scan Utility Lite to scan and save documents, photos, or other items at one time by simply clicking the corresponding icon.



►►► Important

- The displayed items and available functions vary depending on your scanner or printer.

Multiple Scanning Modes

Auto allows for one click scanning with default settings for various items. **Document** will sharpen text in a document or magazine for better readability, and **Photo** is best suited for scanning photos.

►►► Note

- For details on the IJ Scan Utility Lite main screen, see IJ Scan Utility Lite Main Screen.

Save Scanned Images Automatically

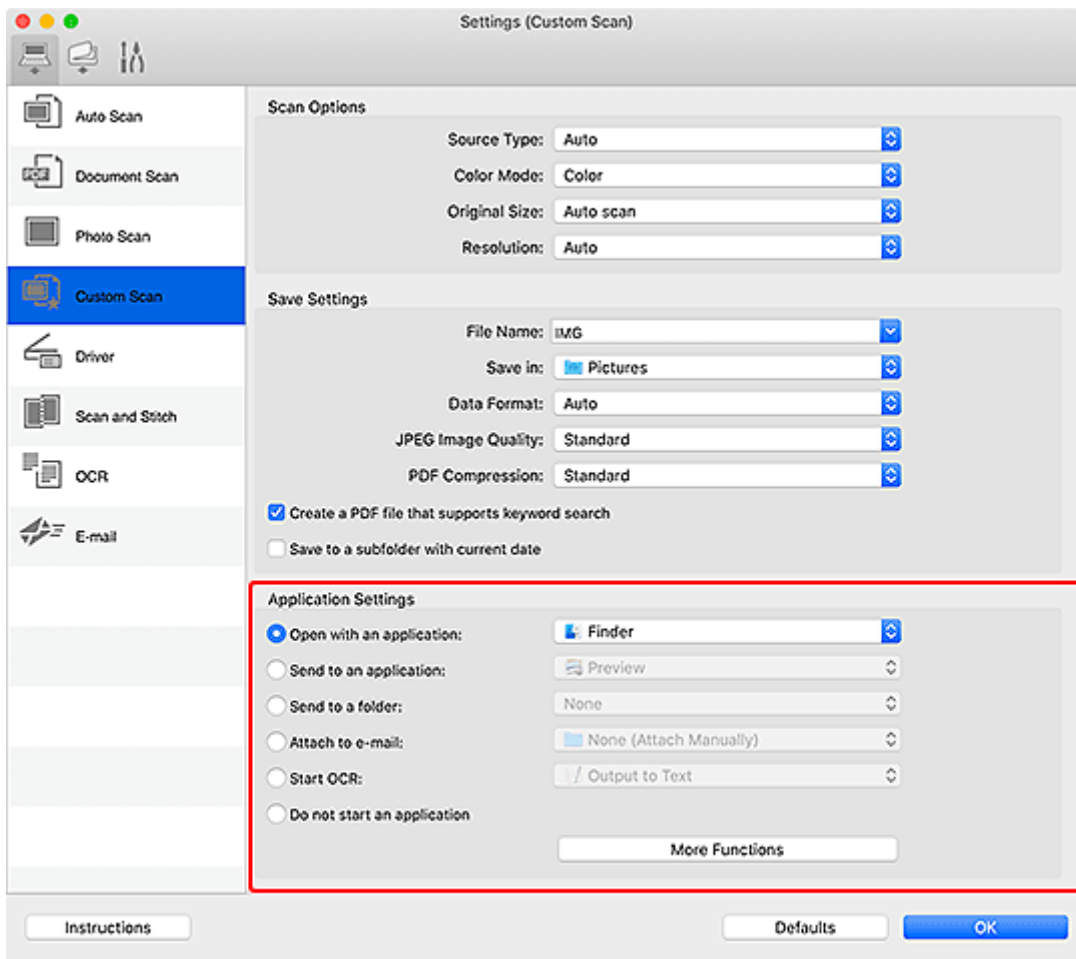
Scanned images are automatically saved to a preset folder. The folder can be changed as needed.

►►► Note

- The default save folder is the **Pictures** folder.
- For how to specify a folder, see Settings Dialog.

Application Integration

Scanned images can be sent to other applications. For example, display scanned images in your favorite graphics application, attach them to e-mails, or extract text from images.



►► Note

- To set the applications to integrate with, see Settings Dialog.

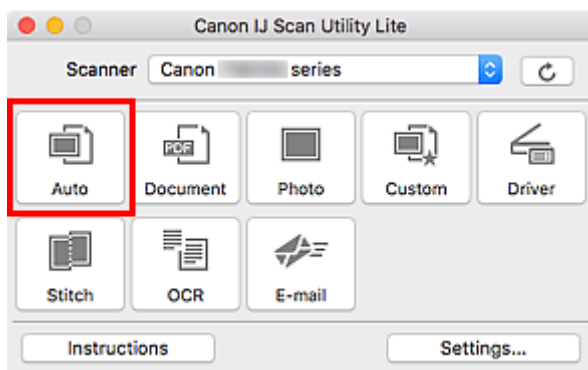
Scanning Easily (Auto Scan)

Auto Scan allows for automatic detection of the type of the item placed on the platen or ADF (Auto Document Feeder).

»» Important

- This function is not supported depending on your model.
- The following types of items may not be scanned correctly. In that case, adjust the cropping frames (selection boxes; scan areas) in the screen displayed by clicking **Driver** in the IJ Scan Utility Lite main screen, and then scan again.
 - Photos with a whitish background
 - Items printed on white paper, hand-written text, business cards, and other unclear items
 - Thin items
 - Thick items
- When scanning two or more documents from the ADF, place documents of the same size.

1. Check that scanner or printer is turned on.
2. Place items on platen or ADF.
 - ➔ [Positioning Originals \(Scanning from Computer\)](#)
3. Start IJ Scan Utility Lite.
4. Click **Auto**.



Scanning starts.

»» Note

- To cancel the scan, click **Cancel**.
- Use the **Settings (Auto Scan)** dialog to set where to save the scanned images and to make advanced scan settings.
- To scan a specific item type, see the following pages.
 - ➔ [Scanning Documents and Photos](#)
 - ➔ [Scanning with Favorite Settings](#)

➔ Scanning Multiple Documents at One Time from the ADF (Auto Document Feeder)

Scanning Documents and Photos

Scan items placed on the platen with settings suitable for documents or photos.

Save documents in formats such as PDF and JPEG, and photos in formats such as JPEG and TIFF.

1. Place the item on the platen.

➔ [Positioning Originals \(Scanning from Computer\)](#)

2. Start IJ Scan Utility Lite.

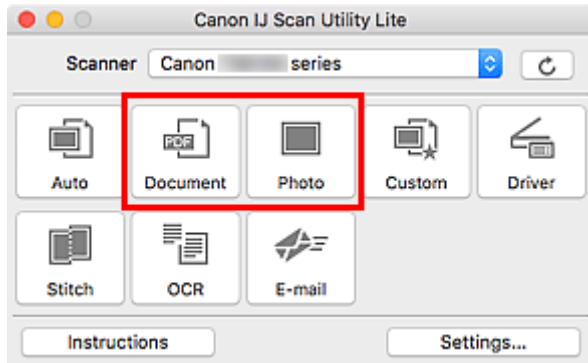
3. To specify the paper size, resolution, PDF settings, etc., click **Settings...**, and then set each item in the Settings dialog.

▶▶▶ Note

- Once settings are made in the Settings dialog, the same settings can be used for scanning from the next time.
- In the Settings dialog, specify image processing settings such as slant correction, set where to save the scanned images, and more, as needed.

When setting is completed, click **OK**.

4. Click **Document** or **Photo**.



Scanning starts.

▶▶▶ Note

- To cancel the scan, click **Cancel**.

Scanning Tips

- ▶ **Positioning Originals (Scanning from Computer)**

Positioning Originals (Scanning from Computer)

This section describes how to load originals on the platen or ADF (Auto Document Feeder) for scanning. If items are not placed correctly they may not be scanned correctly.

Important

- Be sure to observe the following when loading the original on the platen. Failure to observe the following may cause the scanner to malfunction or the platen glass to break.
 - Do not place any objects weighing 4.4 lb (2.0 kg) or more on the platen glass.
 - Do not put any pressure of 4.4 lb (2.0 kg) or more on the platen glass, such as pressing down the original.
- Close the document cover when scanning.
- Do not touch the operation panel buttons or LCD (Liquid Crystal Display) when opening/closing the document cover. May result in unintended operation.
- When using a personal scanner in the upright position, the item type may not be detected automatically. In that case, specify the item type in IJ Scan Utility and scan.

➔ [Placing Items \(Platen\)](#)

➔ [Placing Documents \(ADF \(Auto Document Feeder\)\)](#)



➔ [Placing Items \(When Using Stand\)](#)

Placing Items (Platen)

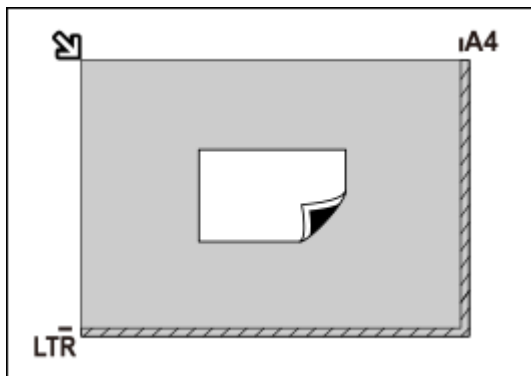
Place items as described below to scan by detecting the item type and size automatically.

Important

- Depending on your model, the function to scan by automatically detecting the item type and size does not appear.
- When scanning by specifying the paper size, align an upper corner of the item with the corner at the arrow (alignment mark) of the platen.
- Photos that have been cut to irregular shapes and items smaller than 1.2 inches (3 cm) square cannot be cropped accurately when scanning.
- Reflective disc labels may not be scanned as expected.
- If scanned by detecting the item type and size automatically, the response may differ. In that case, adjust the cropping frame (selection box) manually.

Photos, Postcards, Business Cards, and BD/DVD/CD	Magazines, Newspapers, and Documents
 <p>Single item:</p> <p>Place the item face-down on the platen, with 0.4 inch (1 cm) or more space between the edges (diagonally striped area)</p>	 <p>Place the item face-down on the platen and align an upper corner of the item with the corner at the arrow (alignment mark) of the platen. Portions placed on the diagonally striped area cannot be scanned.</p>

of the platen and the item. Portions placed on the diagonally striped area cannot be scanned.

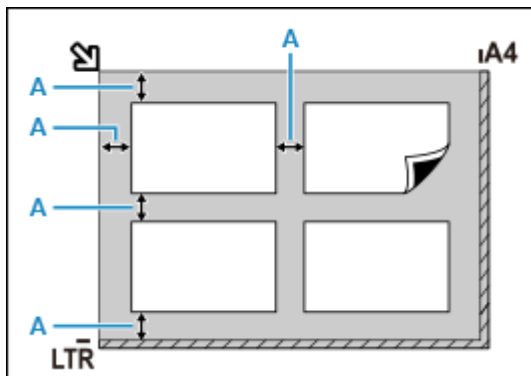


Important

- Large items (such as A4 size photos) that cannot be placed away from the edges/arrow (alignment mark) of the platen may be saved as PDF files. To save in a format other than PDF, scan by specifying the data format.

Multiple items:

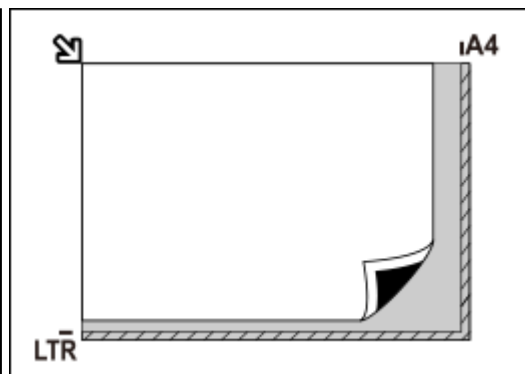
Allow 0.4 inch (1 cm) or more space between the edges (diagonally striped area) of the platen and items, and between items. Portions placed on the diagonally striped area cannot be scanned.



A : 0.4 inch (1 cm) or more

Note

- In IJ Scan Utility Lite, place up to 12 items.
- Positions of slanted items (10 degrees or less) are corrected automatically.



Important

• Inkjet All-In-One printer:

For the portions in which items cannot be scanned, click Home to return to the top page of the Online Manual for your model and search for "Loading Originals."

• Personal scanner:

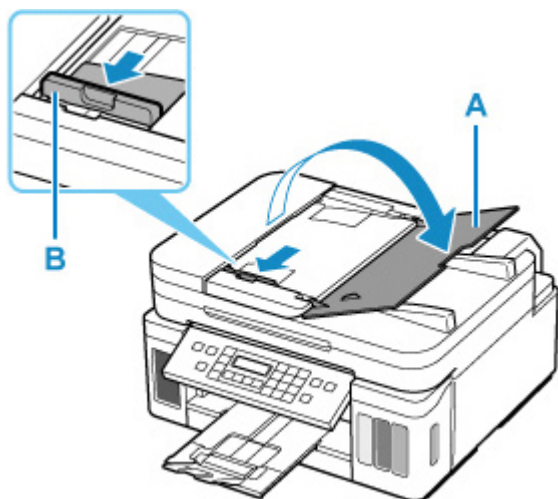
For the portions in which items cannot be scanned, click Home to return to the top page of the Online Manual for your model and search for "Items You Can Place & How to Place Items."

Placing Documents (ADF (Auto Document Feeder))

Important

- Do not leave thick items on the platen when scanning from the ADF. May result in paper jam.
- Place and align documents of the same size when scanning two or more documents.
- For supported document sizes when scanning from the ADF, click Home to return to the top page of the Online Manual for your model and search for "Supported Originals."

1. Make sure any original has been removed from platen.
2. Open document tray (A).
3. Slide the paper guides (B) all the way out.

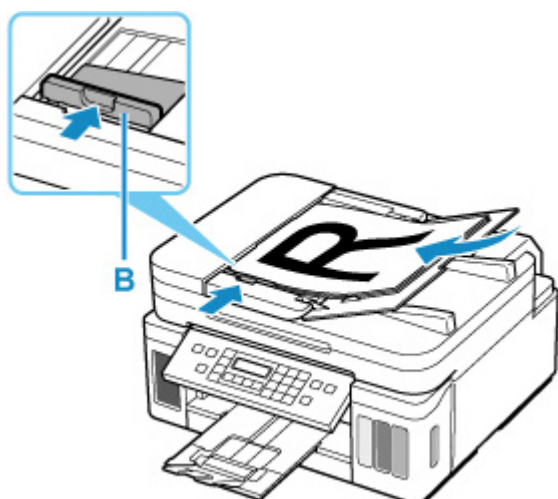


4. Load document with side to scan facing up in document tray.

Insert the document until it stops.

5. Adjust document guide (B) to match width of document.

Do not slide the document guide too hard against the document. The document may not be fed properly.



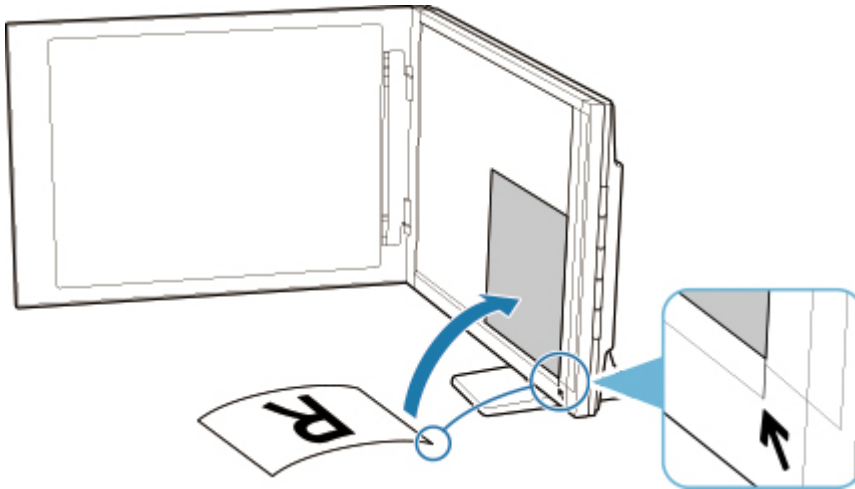
►► Note

- When scanning duplex documents, place the front sides facing up. They will not be scanned correctly if placed the other way around.

Placing Items (When Using Stand)

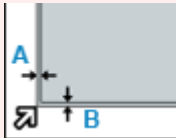
1. Place item on platen.

1. Open the document cover.
2. Place the item with the side to scan facing the platen, and then align it with the alignment mark.



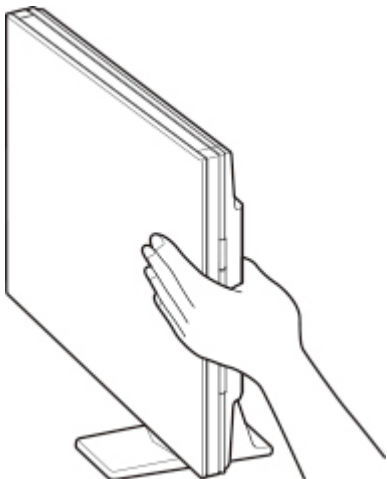
Important

- If you open the document cover wide, the scanner may fall over.
- Portions placed over (A) (0.094 inch (2.4 mm) from the left edge of the platen) or (B) (0.106 inch (2.7 mm) from the front edge) cannot be scanned.



2. Gently close document cover.

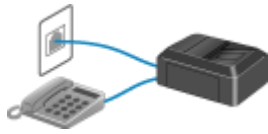
While scanning, hold the document cover gently with your hand to keep it closed.



»» Important

- Keep these points in mind when using the scanner in the upright position.
 - Do not subject the scanner to vibration during operation. The correct image results may not be obtained (for example, images may blur).
 - The item type may not be detected automatically. In that case, specify the item type in IJ Scan Utility and scan.

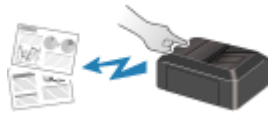
Faxing



Preparing for Faxing



Registering Recipients



Sending Faxes Using Operation Panel of Printer



Sending Faxes from Computer (Windows)



Sending Faxes from Computer (Mac OS)



Receiving Faxes



Other Useful Fax Functions

Preparing for Faxing

Connect the printer to the telephone line and set up the printer before using the faxing functions. Then specify the basic setting such as sender information, date/time, and daylight saving time.

▶▶▶ Important

- If the Power Disconnects:

If there is a power failure or if you accidentally unplug the power cord, the date/time settings will be reset.

- The settings for user information and directory will be retained.
- All faxes stored in the printer's memory, such as unsent and received faxes, will be lost.

If the power disconnects, the following will apply:

- You will not be able to send or receive faxes, make copies, or scan originals.
- When you are connecting the telephone, whether or not you can use it depends upon your telephone line or telephone.

Setting Up Printer

The printer must be set up depending on your telephone line and use of the faxing function.

All Setup

- ➔ [FAX Setup Guide](#)

Individual Setup

|| Step1 [Connecting Telephone Line](#)

|| Step2 [Setting Telephone Line Type](#)

|| Step3 [Setting Receive Mode](#)

|| Step4 [Setting Sender Information](#)

▶▶▶ Note

- You can set the fax setting according to the instruction on the LCD.

- ➔ [Easy setup](#)

If you set up according to the instruction on the LCD, the receive mode is set to **Tel. priority mode** or **Fax only mode**. To receive faxes with **DRPD** or **Network switch**, change the receive mode.

- ➔ [Setting Receive Mode](#)

Connecting Telephone Line

The connection method differs depending on your telephone line.

- If you connect the printer to wall telephone line directly/If you connect the printer with the xDSL splitter:
 - ➔ [Basic Connection \(Connecting with General Telephone line\)](#)
- If you connect the printer to another line such as an xDSL:
 - ➔ [Connecting Various Lines](#)

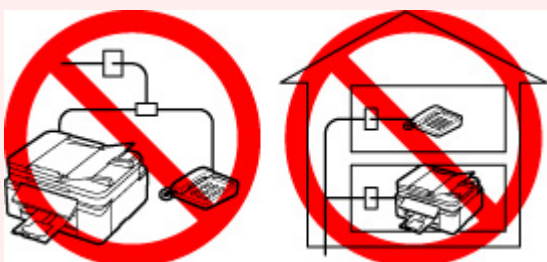
If the connection is incorrect, the printer cannot send/receive faxes. Connect the printer correctly.

▶▶▶ Important

- Do not connect fax devices and/or telephones in parallel (US and Canada only).

If two or more fax devices and/or telephones are connected in parallel, the following problems may occur and the printer may not operate properly.

- If you pick up the handset of the telephone that is connected in parallel during fax transmission or reception, the fax image may be corrupted or a communication error may occur.
- Such services as Caller ID, etc. may not operate properly on the telephone.



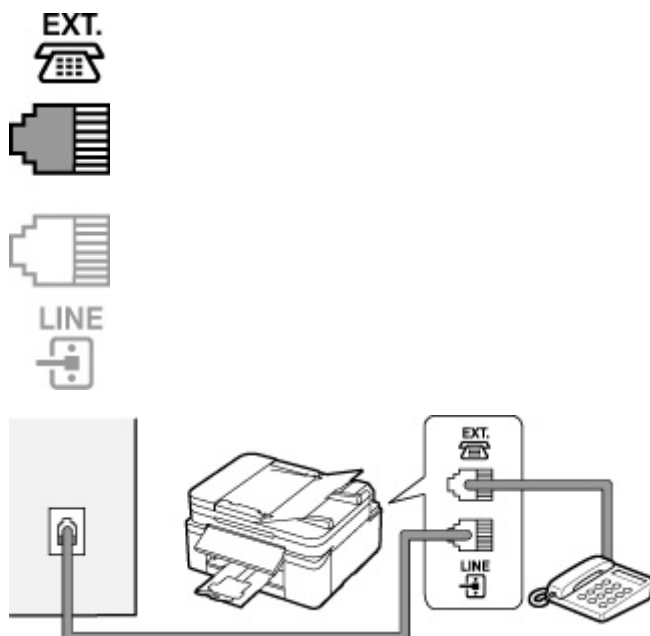
If you cannot avoid parallel connections, set the receive mode to **Tel. priority mode**, understanding that the above problems may occur. You will only be able to receive faxes manually.

Basic Connection (Connecting with General Telephone line)

Make sure that the printer is turned off, connect one end of supplied telephone line cable to the telephone line jack near the "LINE" mark of the printer, then connect the other end to the telephone line jack on the wall or to the telephone line jack of the xDSL splitter.



When you connect the telephone to the printer, make sure that the printer is turned off, connect one end of the modular cable to the external device jack near the "EXT." mark of the printer, then connect the other end to the telephone line jack of the telephone.



►► Important

- Be sure to connect the telephone line before the printer is turned on.
If you connect the telephone line when the printer is turned on, turn the printer off and unplug the power cord. Wait for 1 minute then connect the telephone line and power plug.

►► Note

- Refer to [Rear View](#) for the position of the telephone line jack and the external device jack.
- Before connecting a telephone or answering machine, remove the Telephone connector cap.
- **For users in the UK:**
If the connector of the external device cannot be connected to the jack on the printer, you will need to purchase a B.T. adapter to connect as follows:
Attach the B.T. adapter to the modular cable connecting the external device, then connect the B.T. adapter to the external device jack.

Connecting Various Lines

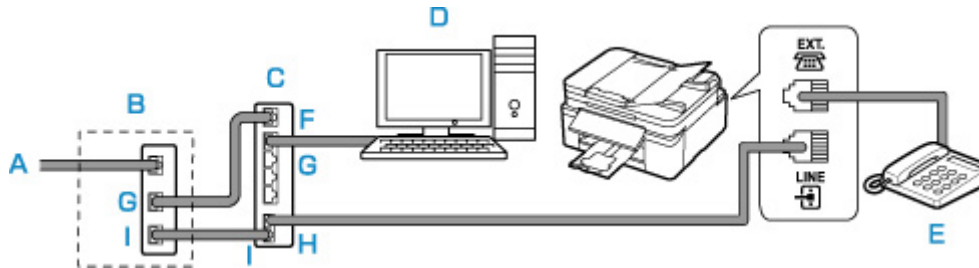
This section introduces how to connect various lines.

These are examples and could not be guaranteed to suit every connecting condition. For details, refer to the instruction manual supplied with the network device (control devices such as an xDSL (Digital Subscriber Line) modem or terminal adapter) you are connecting to this printer.

►► Note

- xDSL is the generic term for the high speed digital communication technology with telephone line such as ADSL/HDSL/SDSL/VDSL.

• Connecting to an Internet Telephone



- A: Digital Subscriber Line
- B: xDSL modem (splitter may not be built-in to the modem)
- C: Broadband router compatible with Internet Telephone
- D: Computer
- E: Telephone or answering machine
- F: WAN (Wide Area Network) port
- G: LAN (Local Area Network) port
- H: TEL port
- I: LINE port

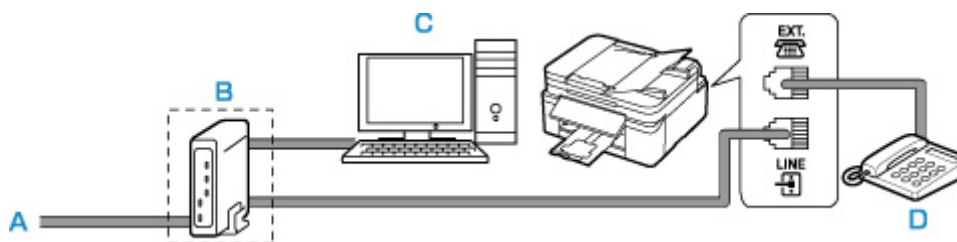
* Port configurations and names may vary depending on the product.

►► Note

- When connecting to the xDSL line, select the same line type as you are subscribing to in **Telephone line type**.

➔ [Setting Telephone Line Type](#)

• Connecting to an xDSL



- A: Analog Subscriber Line
- B: xDSL modem (splitter may not be built-in to the modem)
- C: Computer
- D: Telephone or answering machine

►► Important

- When the splitter is not built-in to the xDSL modem, do not branch the telephone line before the splitter (wall side). And also, do not connect splitters in parallel. The printer may not be able to operate properly.

»» Note

- When connecting to the xDSL line, select the same line type as you are subscribing to in **Telephone line type**.

➔ [Setting Telephone Line Type](#)

- **Connecting to an ISDN Line**

For details on ISDN (Integrated Service Digital Network) connection and settings, refer to the manuals supplied with your terminal adapter or dial-up router.

Setting Telephone Line Type

Before using your printer, make sure you set the correct telephone line type for your telephone line. If you are unsure of your telephone line type, contact your telephone company. For xDSL or ISDN connections, contact the telephone company or service provider to confirm your line type.

▶▶▶ Important

- **For users in China**

After plugging the power cord and turning on the printer, the telephone line type is selected automatically. However, if the printer is connected to the control device such as an xDSL modem or terminal adapter, the telephone line type may not be selected correctly.

In this case, set the line type manually.

For details on how to set the Telephone line type manually in China:

➔ [Setting the Telephone Line Type Manually in China](#)

▶▶▶ Note

- **Telephone line type** will not appear in countries or regions where **Rotary pulse** is not supported.
- You can print USER'S DATA LIST to check the current setting.
 - ➔ Summary of Reports and Lists

1. [Check that printer is turned on.](#)
2. Press the **Setup** button.
The **Setup menu** screen is displayed.
3. Select **Fax settings**, then press the **OK** button.
4. Select **Fax user settings**, then press the **OK** button.
5. Select **Telephone line type**, then press the **OK** button.
6. Select a telephone line type, then press the **OK** button.

Rotary pulse

Select when your telephone line type is pulse dialing.

Touch tone

Select when your telephone line type is tone dialing.

▶▶▶ Note

- The ***** (asterisk) on the LCD indicates the current setting.

7. Press the **FAX** button to return to the Fax standby screen.

Setting the Telephone Line Type Manually in China

This section describes the procedure to set the telephone line type manually in China.

1. [Check that printer is turned on.](#)

2. Press the **Setup** button.

The **Setup menu** screen is displayed.

3. Select **Fax settings**, then press the **OK** button.

4. Select **Fax user settings**, then press the **OK** button.

5. Select **Tel. line auto select**, then press the **OK** button.

The current telephone line type is displayed.

▶▶▶ Note

- If you do not need to change the telephone line type, press the **FAX** button to return to the Fax standby screen.

6. Select **OFF**, then press the **OK** button.

7. Select a telephone line type, then press the **OK** button.

Rotary pulse

Select when your telephone line type is pulse dialing.

Touch tone

Select when your telephone line type is tone dialing.

▶▶▶ Note

- The ***** (asterisk) on the LCD indicates the current setting.

8. Press the **FAX** button to return to the Fax standby screen.

Setting Receive Mode

Set the receiving operation (receiving mode).

For details on how to set the receive mode:

➔ [Setting Receive Mode](#)

You can select the appropriate mode.

For details on the selectable receive mode:

➔ [About Receive Mode](#)

For details on the advanced settings of the receive mode:

➔ [Advanced Settings of Receive Mode](#)

▶▶▶ Note

- The receiving operation procedure varies depending on the selected receive mode.

For details on receiving method depending on each receive mode:

➔ [Receiving Faxes](#)

- If you want to use a single telephone line for faxes and voice calls, you need to connect a telephone or an answering machine to the external device jack of this printer.

For details on how to connect the telephone or the answering machine to the printer:

➔ [Basic Connection \(Connecting with General Telephone line\)](#)

Setting Receive Mode

This section describes the procedure to select the receive mode.

1. [Check that printer is turned on.](#)

2. Press the **FAX** button.

The Fax standby screen is displayed.

3. Press the **MENU** button.

The **Fax menu** screen is displayed.

4. Select **Receive mode set.**, then press the **OK** button.

5. Select the receive mode, then press the **OK** button.

The confirmation message for the advanced settings appears.

▶▶▶ Note

- The * (asterisk) on the LCD indicates the current setting.
- For details on the receive mode:

➔ [About Receive Mode](#)

- **DRPD** is available only in the US and Canada.
- **Network switch** may not be available depending on the country or region of purchase.
- Refer to [Receiving Faxes](#) for information on receiving faxes or the procedure for each receive mode.

6. If you make the advanced settings, select **Yes** and press the **OK** button. If not, select **No** and press the **OK** button.

Make the advanced settings as necessary.

➔ [Advanced Settings of Receive Mode](#)

About Receive Mode

You can select the receive mode suitable for your fax use conditions: whether you use a dedicated line for fax, etc.

• Tel. priority mode

Select when mainly receiving voice calls (with a telephone or answering machine connected to the printer).

Receiving operation:

1. When a call incomes, the telephone will ring.
2. Pick up the handset.

If the call is a voice call, talk on the telephone.

If the call is a fax, hang up the handset after the printer starts receiving the fax.

▶▶▶ Note

- The telephone may not ring when a call incomes even if it is connected to the printer, depending on the type or settings of the telephone.

• DRPD or Network switch

Select when receiving voice calls (with a telephone or answering machine connected to the printer) and subscribing to a ring pattern detection service provided by your telephone company.

Receiving operation:

1. When a call incomes, the telephone will ring.
2. The printer detects a fax call by the fax ring pattern.

If the call is a fax, the printer will receive the fax automatically.

If the printer does not detect the fax ring pattern, the telephone will continue ringing.

▶▶▶ Note

- The telephone may not ring when a call incomes even if it is connected to the printers, depending on the type or settings of the telephone.

- **Fax only mode**

Select when not receiving voice calls.

Receiving operation:

1. When a fax incomes, the printer will receive the fax automatically.

Advanced Settings of Receive Mode

You can specify the advanced settings of each receive mode.

▶▶▶ Note

- The ★ (asterisk) on the LCD indicates the current setting.

- **Advanced setting in Tel. priority mode**

You can specify the following setting items.

- **Manual/auto switch**

If you select **ON**, the printer automatically receives faxes after the external device rang a specified length of time.

Use the ◀▶ button or the Numeric buttons to specify the length of time until automatic reception is started.

- **User-friendly RX**

If you select **ON**, the printer automatically switches from telephone calling to fax reception by detecting the fax signal (CNG signal) when you lift the handset of the telephone or the answering machine answers. When you have an answering machine connected to the printer, select **ON** to switch to fax reception automatically after the answering machine answers.

If you select **OFF**, the printer does not switch from telephone calling to fax reception automatically even if the printer detects the fax signal (CNG signal). Select **OFF** if you want the printer not to switch automatically during a call.

▶▶▶ Note

- If you subscribe to Duplex Ringing service in Hong Kong, the number of times the external device rings specified with **Incoming ring** in **Fax only mode** is available in **Tel. priority mode**.

If you want to specify the number of times the external device rings in **Tel. priority mode**, select **Fax only mode** for **Receive mode set.** under **Fax menu**, specify the number of times the external device rings with **Incoming ring**, then switch to **Tel. priority mode** for **Receive mode set.**

- If you subscribe to Duplex Ringing service in Hong Kong, we recommend that **Manual/auto switch** be set to **OFF**.

- **Advanced setting in Fax only mode**

You can specify the following setting item.

- **Incoming ring**

Use the ◀▶ button or the Numeric buttons to specify the number of times the external device rings when incoming.

- **Advanced setting in DRPD**

You can specify the following setting items.

- **DRPD: Fax ring pat.**

Sets the distinctive ring pattern of a call that the printer assumes is a fax call.

If you subscribe to a DRPD service, set the ring pattern to match the pattern assigned by your telephone company.

➔ [Setting the DRPD Ring Pattern \(US and Canada only\)](#)

- **Incoming ring**

You can specify the number of times the external device rings when incoming.

- **Advanced setting in Network switch**

You can specify the following setting item.

- **Incoming ring**

You can specify the number of times the external device rings when incoming.

Setting the DRPD Ring Pattern (US and Canada only)

If you have subscribed to a Distinctive Ring Pattern Detection (DRPD) service provided by your telephone company, your telephone company will assign two or more telephone numbers with distinctive ring patterns to your single telephone line, allowing you to have different numbers for fax calls and voice calls using only one telephone line. Your printer will automatically monitor the ring pattern, and will automatically receive the fax if the ring pattern is a fax call.

To use DRPD, follow the procedure below to set the fax ring pattern that matches the pattern assigned by your telephone company.

▶▶▶ Note

- Contact your local telephone company for detailed information on this service.

1. [Check that printer is turned on.](#)
2. Press the **FAX** button.
The Fax standby screen is displayed.
3. Press the **MENU** button.
The **Fax menu** screen is displayed.
4. Select **Receive mode set.**, then press the **OK** button.
5. Select **DRPD**, then press the **OK** button.

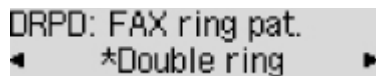
The confirmation screen asking whether to make advanced settings is displayed.

6. Select **Yes**, then press the **OK** button.

7. Select **DRPD: Fax ring pat.**, then press the **OK** button.

The **DRPD: Fax ring pat.** screen is displayed.

8. Select the ring pattern that your telephone company assigned to your fax number, then press the **OK** button.



DRPD: FAX ring pat.
◀ *Double ring ▶

Select from **Normal ring**, **Double ring**, **Short-short-long**, or **Short-long-short**.

▶▶▶ **Note**

- The * (asterisk) on the LCD indicates the current setting.

9. Press the **FAX** button to return to the Fax standby screen.

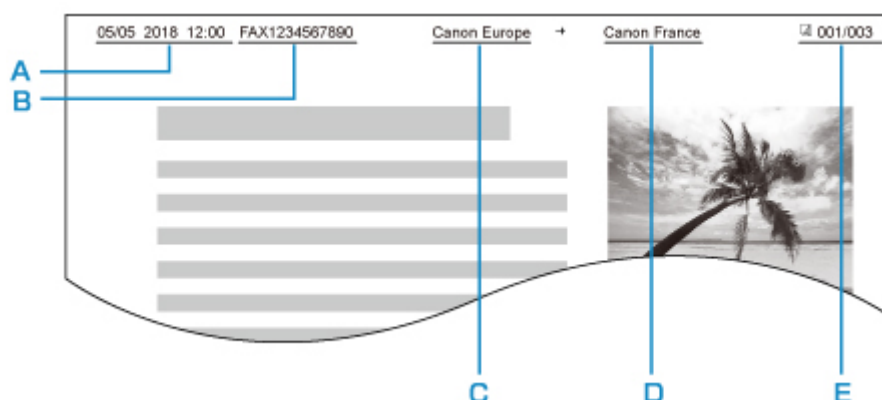
Setting Sender Information

You can set the sender information such as user information and date/time.

- ➔ [About Sender Information](#)
- ➔ [Setting Date and Time](#)
- ➔ [Setting Daylight Saving Time \(Summer Time\)](#)
- ➔ [Registering User Information](#)

About Sender Information

If the unit name and unit fax/telephone number are registered, they are printed with date and time as sender information on the recipient's fax.



A: Date and time of transmission

B: Unit fax/telephone number

C: Unit name

D: The registered recipient's name is printed when sending faxes.

E: Page number

➤➤➤ Note

- You can print USER'S DATA LIST to confirm the sender information you have registered.
 - ➔ [Summary of Reports and Lists](#)
- When sending faxes in black & white, you can select whether to print the sender information inside or outside the image area.

Specify the setting on **TTI position** in **Adv. fax settings** under **Fax settings**.

- ➔ [Adv. fax settings](#)

- You can select the date print format from three formats: **YYYY/MM/DD**, **MM/DD/YYYY**, and **DD/MM/YYYY**.

Select the date print format on **Date display format** under **Other dev. settings**.

- ➔ [Other dev. settings](#)

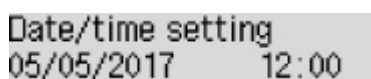
Setting Date and Time

This section describes the procedure to set the date and time.

1. [Check that printer is turned on.](#)
2. Press the **Setup** button.
The **Setup menu** screen is displayed.
3. Select **Device settings**, then press the **OK** button.
4. Select **Other dev. settings**, then press the **OK** button.
5. Select **Date/time setting**, then press the **OK** button.

6. Set the date and time.

Use the ◀▶ button to move the cursor under the desired position, then use the Numeric buttons to enter the date and time.



Date/time setting
05/05/2017 12:00

Enter the time in 24-hour format.

Enter only the last two digits of the year.

7. Press the **OK** button.
8. Press the **FAX** button to return to the Fax standby screen.

Setting Daylight Saving Time (Summer Time)

Some countries adopt the daylight saving time (summer time) system that shifts the clock time forward at certain periods of the year.

You can set your printer to automatically change the time by registering the date and time that daylight saving time (summer time) begins and ends.

▶▶ Important

- Not all the latest information of all countries or regions is applied for **DST setting** by default. You need to change the default setting according to the latest information of your country or region.

▶▶ Note

- This setting may not be available depending on the country or region of purchase.

1. [Check that printer is turned on.](#)

2. Press the **Setup** button.

The **Setup menu** screen is displayed.

3. Select **Device settings**, then press the **OK** button.

4. Select **Other dev. settings**, then press the **OK** button.

5. Select **DST setting**, then press the **OK** button.

6. Select **ON**, then press the **OK** button.

To disable summer time, select **OFF**.

7. Set the date and time when summer time starts.

1. Select **Start date/time**, then press the **OK** button.

2. Make sure that **Set month** is selected, then press the **OK** button.

3. Select the month when summer time starts, then press the **OK** button.

4. Make sure that **Set week** is selected, then press the **OK** button.

5. Select the week when summer time starts, then press the **OK** button.

6. Make sure that **Set day of week** is selected, then press the **OK** button.

7. Select the day of the week when summer time starts, then press the **OK** button.

8. Make sure that **Set shift time** is selected, then press the **OK** button.

9. Use the ◀▶ button to move the cursor under the desired position, use the Numeric buttons to enter the time (in 24-hour format) when summer time starts, then press the **OK** button.

Precede single digits with a zero.



Set shift time
06:00

8. Set the date and time when summer time ends.

1. Use the ◀▶ button to select **End date/time**, then press the **OK** button.

2. Make sure that **Set month** is selected, then press the **OK** button.

3. Use the ◀▶ button to select the month when summer time ends, then press the **OK** button.

4. Make sure that **Set week** is selected, then press the **OK** button.

5. Use the ◀▶ button to select the week when summer time ends, then press the **OK** button.

6. Make sure that **Set day of week** is selected, then press the **OK** button.

7. Use the ◀▶ button to select the day of the week when summer time ends, then press the **OK** button.

8. Make sure that **Set shift time** is selected, then press the **OK** button.

9. Use the ◀▶ button to move the cursor under the desired position, use the Numeric buttons to enter the time (in 24-hour format) when summer time ends, then press the **OK** button.

Precede single digits with a zero.



Set shift time
07:00

9. Press the **FAX** button to return to the Fax standby screen.

Registering User Information

This section describes the procedure to register the user information.

▶▶▶ Note

- Before sending a fax, be sure to enter your name and fax/telephone number in **Add unit tel. number** and **Add unit name** on the **Fax user settings** screen (for US only).

1. [Check that printer is turned on.](#)

2. Press the **Setup** button.

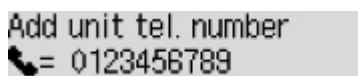
The **Setup menu** screen is displayed.

3. Select **Fax settings**, then press the **OK** button.

4. Select **Fax user settings**, then press the **OK** button.

5. Enter the unit fax/telephone number.

1. Make sure that **Add unit tel. number** is selected, then press the **OK** button.
2. Use the Numeric buttons to enter the unit fax/telephone number.



Add unit tel. number
☎= 0123456789 _

3. Press the **OK** button.

▶▶▶ Note

- You can enter the fax/telephone number up to 20 digits, including spaces.
- For details on how to enter or delete characters:

➔ [Entering Numbers, Letters, and Symbols](#)

6. Enter the unit name.

1. Make sure that **Add unit name** is selected, then press the **OK** button.
2. Use the Numeric buttons to enter the unit name.

Add unit name :a
Canon Europe

3. Press the **OK** button.

▶▶▶ Note

- You can enter the name up to 24 characters, including spaces.
- For details on how to enter or delete characters:
➔ [Entering Numbers, Letters, and Symbols](#)

7. Press the **FAX** button to return to the Fax standby screen.

Registering Recipients

- ▶ **Registering Recipients Using Operation Panel of Printer**
- ▶ **Registering Recipients Using Speed Dial Utility2 (Windows)**
- ▶ **Registering Recipients Using Speed Dial Utility2 (macOS)**

Registering Recipients Using Operation Panel of Printer

Registering recipients in the printer's directory in advance allows you to dial fax/telephone numbers simply.

The following methods to register are available:

- Recipient registration

Registering the recipient's fax/telephone number and name allows you to send a fax by selecting a registered recipient in the printer directory.

➔ [Registering Fax/Telephone Number of Recipients](#)

- Group dial registration

You can combine two or more recipients registered in advance into a group. You can send the same document to all the registered recipients in the group.

➔ [Registering Recipients in Group Dial](#)

You can register up to 20 recipients in total of individual recipients and group dials.

▶▶▶ Note

- To change the registered information of the recipient or the group dial, see [Changing Registered Information](#).
- To delete the registered information of the recipient or the group dial, see [Deleting Registered Information](#).
- To print a list of the recipient's fax/telephone numbers and names registered, see [Printing List of Registered Destinations](#).
- You can register, change, or delete the registered information of the recipient or the group dial using Speed Dial Utility on the computer.
 - For Windows:
 - ➔ [Registering Recipients Using Speed Dial Utility2 \(Windows\)](#)
 - For macOS:
 - ➔ [Registering Recipients Using Speed Dial Utility2 \(macOS\)](#)

Registering Fax/Telephone Number of Recipients

Before you can use the printer's directory, you need to register the recipients' fax/telephone numbers. Follow the procedure below to register the recipients' fax/telephone numbers.

1. [Check that printer is turned on.](#)

2. Press the **FAX** button.

The Fax standby screen is displayed.

3. Press the **MENU** button.

The **Fax menu** screen is displayed.

4. Select **Directory**, then press the **OK** button.

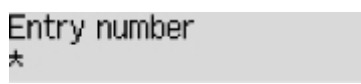
5. Select **Add directory entry**, then press the **OK** button.

▶▶▶ Note

- You can select **Add directory entry** from **Add tel. number** in **Fax settings** after pressing the **Setup** button.

6. Select **Recipient**, then press the **OK** button.

The screen to select an ID number is displayed.



Entry number
*

7. Use the ◀▶ button or the Numeric buttons to select an unregistered ID number, then press the **OK** button.

▶▶▶ Note

- If you already registered the recipient, the fax/telephone number is displayed next to the ID number. If you already registered the group dial, **(Not available)** is displayed.

8. Select a registration method, then press the **OK** button.

9. Register the recipients' fax/telephone number.

- **From outgoing log** is selected as the registration method:

The screen to select the fax/telephone number from the outgoing call logs is displayed.



Outgoing call log
☎ = 0567891234

1. Select a fax/telephone number, then press the **OK** button.

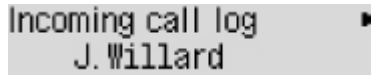
The fax/telephone number selected from the outgoing call logs is displayed.

2. Check the fax/telephone number, then press the **OK** button.

The fax/telephone number is registered to the printer and the screen to enter the recipient's name is displayed.

- **From incoming log** is selected as the registration method:

The screen to select the fax/telephone number or the name from the incoming call logs is displayed.



1. Select a fax/telephone number or a name, then press the **OK** button.

The fax/telephone number selected from the incoming call logs is displayed.

2. Check the fax/telephone number, then press the **OK** button.

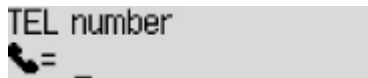
The fax/telephone number is registered to the printer and the screen to enter the recipient's name is displayed.

▶▶▶ Note

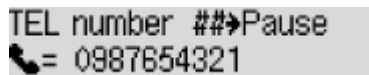
- This registration method may not be available depending on the country or region of purchase.

- **Enter directly** is selected as the registration method:

The screen to enter the fax/telephone number is displayed.



1. Use the Numeric buttons to enter the fax/telephone number you want to register.



2. Press the **OK** button.

The fax/telephone number is registered to the printer and the screen to enter the recipient's name is displayed.

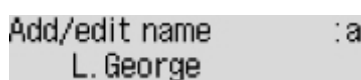
▶▶▶ Note

- You can enter the fax/telephone number up to 60 digits (40 digits for the US, Canada, Korea and some regions of Latin America), including spaces.

➔ [Entering Numbers, Letters, and Symbols](#)

- Press the **#** button twice to enter a pause.
- When **Telephone line type** in **Fax user settings** under **Fax settings** is set to **Rotary pulse**, you can enter a tone ("T") by pressing the **Tone** button.

10. Use the Numeric buttons to enter the recipient's name.



If you select a name on **From incoming log** in step 9, the name may be already entered. If you do not change the name, go to step 11.

»»» Note

- You can enter the name up to 16 characters, including spaces.

➔ [Entering Numbers, Letters, and Symbols](#)

11. Press the **OK** button to finalize registration.

»»» Note

- To register another recipient's number and name, select an unregistered ID number and operate in the same procedure.
- To return to the Fax standby screen, press the **FAX** button.
- You can check the recipient's numbers and names you have registered by printing RECIPIENT TELEPHONE NUMBER LIST.

➔ [Printing List of Registered Destinations](#)

Registering Recipients in Group Dial

If you register two or more registered recipients to a group dial, you can send the same document successively to all recipients registered to the group dial.

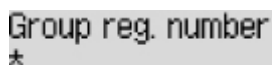
1. [Check that printer is turned on.](#)
2. Press the **FAX** button.
The Fax standby screen is displayed.
3. Press the **MENU** button.
The **Fax menu** screen is displayed.
4. Select **Directory**, then press the **OK** button.
5. Select **Add directory entry**, then press the **OK** button.

▶▶▶ Note

- You can select **Add directory entry** from **Add tel. number** in **Fax settings** after pressing the **Setup** button.

6. Select **Group dial**, then press the **OK** button.

The screen to select an ID number is displayed.



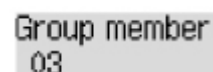
Group reg. number
*

7. Use the ◀▶ button or the Numeric buttons to select an unregistered ID number, then press the **OK** button.

▶▶▶ Note

- If you already registered the recipient, **(Not available)** is displayed next to the ID number. If you already registered the group dial, the registered group name is displayed.

The **Group member** screen is displayed.



Group member
03

8. Register the registered recipient as a member of the group dial.
 1. Press the **MENU** button.
 2. Choose a recipient to register as a member.

You can choose a recipient with the two methods. The method can be switched by pressing the **#** button.

- When **Add to group** is displayed on the LCD:

```
Add to group ▶
03 *00 L. George
```

Use the ◀▶ button to select a recipient's ID number to register to the group dial.

- When **Enter first letter** is displayed on the LCD:

```
Enter first letter :A
_
```

After you use the Numeric buttons to enter the first letter of the recipient's name you want to search, the registered recipients are displayed in alphabetical order.

```
Add to group ▶
03 *02 D. V. Michael
```

Use the ◀▶ button to select a recipient's ID number to register to the group dial.

3. Press the **OK** button.

The selected recipient is registered as a member of the group dial.

```
Group member
03 *02 D. V. Michael
```

4. Press the **MENU** button to display the screen to select an ID number, then add another member.

Repeat this step to register the other recipient to the same group dial.

▶▶▶ Note

- You can check the recipient's ID number and name registered to the group dial by using the ◀▶ button.

9. Press the **OK** button after finishing registering the member you want to register to the group dial.

The screen to enter the group name is displayed.

```
Group name :a
_
```

10. Use the Numeric buttons to enter the group name.

```
Group name :1
Friend 1_
```

▶▶▶ Note

- You can enter the name up to 16 characters, including spaces.

➔ [Entering Numbers, Letters, and Symbols](#)

11. Press the **OK** button to finalize registration.

▶▶▶ Note

- To register another group, select an unregistered ID number and operate in the same procedure.
- To return to the Fax standby screen, press the **FAX** button.
- You can check the recipients you have registered to the group dial by printing GROUP DIAL TELEPHONE NO. LIST.
 - ➔ [Printing List of Registered Destinations](#)

Changing Registered Information

To change information registered for recipient and group dial, follow the procedure below.

1. [Check that printer is turned on.](#)
2. Press the **FAX** button.
The Fax standby screen is displayed.
3. Press the **MENU** button.
The **Fax menu** screen is displayed.
4. Select **Directory**, then press the **OK** button.
5. Select **Add directory entry**, then press the **OK** button.

▶▶▶ Note

- You can select **Add directory entry** from **Add tel. number** in **Fax settings** after pressing the **Setup** button.

6. Change the registered information.
 - To change the recipient's information:
 1. Select **Recipient**, then press the **OK** button.
 2. Use the ◀▶ button or the Numeric buttons to select a recipient's ID number, then press the **OK** button.
 3. Select **Edit**, then press the **OK** button.
The screen to select a registration method is displayed as well as when you register the recipient.
 4. Select a registration method, then press the **OK** button.
 5. Change the recipient's fax/telephone number.
 - **From outgoing log** is selected as the registration method:
The screen to select the fax/telephone number from the outgoing call logs is displayed. After you use the ◀▶ button to select a fax/telephone number and press the **OK** button, the editing screen is displayed. Change the recipient's fax/telephone number, then press the **OK** button.
 - **From incoming log** is selected as the registration method:
The screen to select the fax/telephone number or the name from the incoming call logs is displayed. After you use the ◀▶ button to select a fax/telephone number or a name and press the **OK** button, the editing screen is displayed. Change the recipient's fax/telephone number, then press the **OK** button.

»»» Note

- This registration method may not be available depending on the country or region of purchase.

- **Enter directly** is selected as the registration method:

The editing screen is displayed. Change the recipient's fax/telephone number, then press the **OK** button.

»»» Note

- You can enter the fax/telephone number up to 60 digits (40 digits for the US, Canada, Korea and some regions of Latin America), including spaces.

➔ [Entering Numbers, Letters, and Symbols](#)

- Press the **#** button twice to enter a pause.
- When **Telephone line type** in **Fax user settings** under **Fax settings** is set to **Rotary pulse**, you can enter a tone ("T") by pressing the **Tone** button.

6. Change the recipient's name, then press the **OK** button.

»»» Note

- You can enter the name up to 16 characters, including spaces.

➔ [Entering Numbers, Letters, and Symbols](#)

- To change a group dial:

1. Select **Group dial**, then press the **OK** button.
2. Use the **◀▶** button or the Numeric buttons to select an ID number of group dial to change, then press the **OK** button.
3. Select **Edit**, then press the **OK** button.
4. Edit the member of the group dial.

To add a member, press the **MENU** button to display the screen to select an ID number and then add another member.

To delete a member, select a member to delete and then press the **Tone** button.

5. Change the group name, then press the **OK** button.

»»» Note

- You can enter the name up to 16 characters, including spaces.

➔ [Entering Numbers, Letters, and Symbols](#)

»»» Note

- To return to the Fax standby screen, press the **FAX** button.

Deleting Registered Information

To delete information registered for recipient and group dial, follow the procedure below.

1. [Check that printer is turned on.](#)
2. Press the **FAX** button.
The Fax standby screen is displayed.
3. Press the **MENU** button.
The **Fax menu** screen is displayed.
4. Select **Directory**, then press the **OK** button.
5. Select **Add directory entry**, then press the **OK** button.

»» Note

- You can select **Add directory entry** from **Add tel. number** in **Fax settings** after pressing the **Setup** button.

6. Delete the registered information.
 - To delete the recipient's information:
 1. Select **Recipient**, then press the **OK** button.
 2. Use the ◀▶ button or the Numeric buttons to select a recipient's ID number, then press the **OK** button.
 3. Select **Delete**, then press the **OK** button.
 4. Select **Yes**, then press the **OK** button.
 - To delete a group dial:
 1. Select **Group dial**, then press the **OK** button.
 2. Use the ◀▶ button or the Numeric buttons to select an ID number of group dial to delete, then press the **OK** button.
 3. Select **Delete**, then press the **OK** button.
 4. Select **Yes**, then press the **OK** button.

»» Note

- To return to the Fax standby screen, press the **FAX** button.

Printing List of Registered Destinations

You can print a list of the fax/telephone numbers and can keep it near the printer to refer to when dialing.

1. [Check that printer is turned on.](#)

2. [Load paper.](#)

3. Press the **FAX** button.

The Fax standby screen is displayed.

4. Press the **MENU** button.

The **Fax menu** screen is displayed.

5. Select **Print reports/lists**, then press the **OK** button.

6. Select **Directory list**, then press the **OK** button.

7. Select an item to print, then press the **OK** button.

- If you selected **Recipient**:

The confirmation screen asking if you print the list alphabetically by name is displayed.

If you select **Yes** and press the **OK** button, RECIPIENT TELEPHONE NUMBER LIST is printed in alphabetical order.

If you select **No** and press the **OK** button, RECIPIENT TELEPHONE NUMBER LIST is printed in the order of the ID number.

- If you selected **Group dial**:

GROUP DIAL TELEPHONE NO. LIST is printed.

Registering Recipients Using Speed Dial Utility2 (macOS)

About Speed Dial Utility2

Speed Dial Utility2 is a utility for forwarding the telephone directory registered on the printer to a computer and registering/changing it on the computer. In addition, you can register the telephone directory edited on the computer to the printer. You can also save them on the computer as a backup.

For safety reasons, it is recommended that you backup the registered data on the computer using Speed Dial Utility2.

- ➔ [Starting Up Speed Dial Utility2](#)
- ➔ [Speed Dial Utility2 Dialog](#)
- ➔ [Saving Registered Telephone Directory on Printer to Your Computer](#)
- ➔ [Registering a Fax/telephone Number Using Speed Dial Utility2](#)
- ➔ [Changing a Fax/telephone Number Using Speed Dial Utility2](#)
- ➔ [Deleting a Fax/telephone Number Using Speed Dial Utility2](#)
- ➔ [Changing Sender Information Using Speed Dial Utility2](#)
- ➔ [Registering/Changing Rejected Number Using Speed Dial Utility2](#)
- ➔ [Registering Telephone Directory Has been Saved on Your Computer to Printer](#)

Starting Up Speed Dial Utility2

»» Important

- Before starting up Speed Dial Utility2, make sure that the printer is connected to the computer correctly.
- Do not plug in or unplug any cables while the printer is in operation, or when the computer is in sleep or standby mode.
- If your printer is compatible with LAN connection, make sure that the printer is connected to the computer with LAN connection to use Speed Dial Utility2 via LAN connection.
- The password entry screen may appear during startup or operation. If it appears, enter the administrator password, and then click **OK**. If you do not know the administrator password, contact the administrator of the printer.

Follow the procedure below to start up Speed Dial Utility2.

1. Select **Applications** on **Go** menu of Finder.
2. Double-click **Canon Utilities** folder.
3. Double-click **Speed Dial Utility2** folder.
4. Double-click **Speed Dial Utility2**.

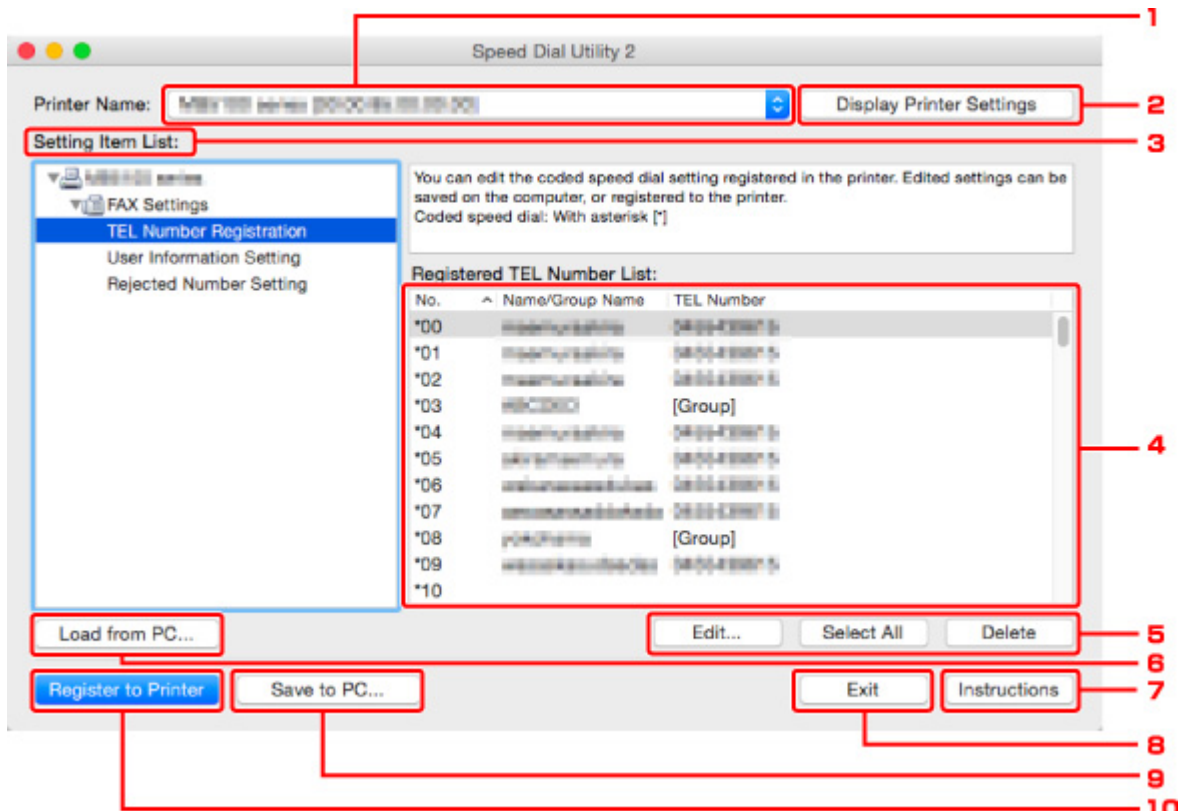
Speed Dial Utility2 starts up.

»» Note

- You can also start up Speed Dial Utility2 from Quick Utility Toolbox.

Speed Dial Utility2 Dialog

The following items are on the **Speed Dial Utility2** dialog.



1. Printer Name:

Selects the printer for editing the telephone directory using Speed Dial Utility2.

Behind printer name, printer's MAC address is displayed.

▶▶▶ Note

- For checking printer's MAC address, refer to "Checking Network Information" for your model from Home of the Online Manual.
- For printer that supports both wireless LAN connection and wired LAN connection, MAC address of wired LAN connection is displayed regardless of the connection method.

2. Display Printer Settings

Loads the telephone directory registered on the printer that selected for **Printer Name:** into Speed Dial Utility2.

3. Setting Item List:

Selects a setting item for editing. Choose one item from **TEL Number Registration**, **User Information Setting**, and **Rejected Number Setting**.

4. Registered information list

Displays the registered information selected for **Setting Item List:**.

Note

- By clicking on the item name, you can sort the display order.

5. Edit.../Select All/Delete

Edits the item that selected for **Setting Item List:**, or deletes the item, or selects all the items.

When multiple items on the registered information list are selected, you cannot use the **Edit...** button.

6. Load from PC...

Displays the telephone directory saved on the computer.

7. Instructions

Displays this guide.

8. Exit

Quits Speed Dial Utility2. Information registered or edited using Speed Dial Utility2 is neither saved on the computer nor registered on the printer.

9. Save to PC...

Saves the telephone directory edited using Speed Dial Utility2 on the computer.

10. Register to Printer

Registers the telephone directory edited using Speed Dial Utility2 to the printer.

Saving Registered Telephone Directory on Printer to Your Computer

Follow the procedure below to save the telephone directory (includes recipients' name, recipients' fax/telephone number, group dial, user's name, user's fax/telephone number, and rejected numbers) that registered on the printer to the computer.

1. [Start up Speed Dial Utility2.](#)
2. Select a printer from **Printer Name:** list box, and then click **Display Printer Settings.**
3. Click **Save to PC....**
4. Enter file name on displayed screen, and then click **Save.**

▶▶▶ Note

- The data of the telephone directory (RSD file, *.rsd) can be imported to other printer.
➔ [Registering Telephone Directory Has been Saved on Your Computer to Printer](#)

Registering a Fax/telephone Number Using Speed Dial Utility2


Follow the procedure below to register fax/telephone numbers.

»» Note

Before you register fax/telephone numbers using Speed Dial Utility2, make sure that no fax operations are in progress.

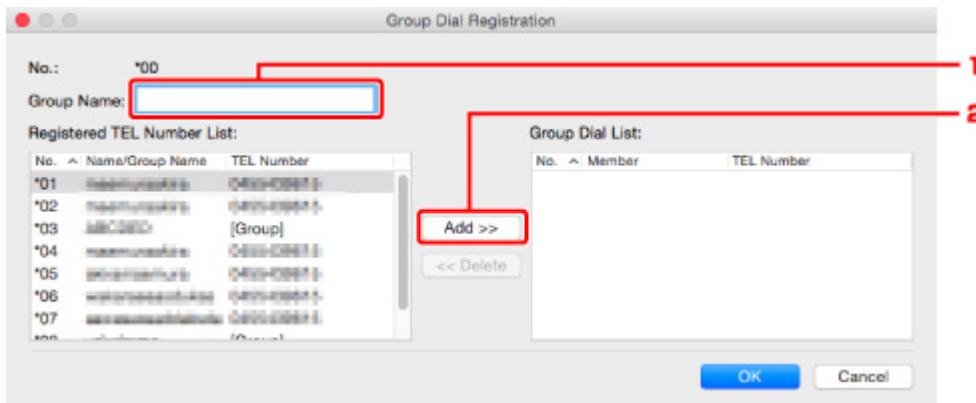
1. [Start up Speed Dial Utility2.](#)
2. Select a printer from **Printer Name:** list box, and then click **Display Printer Settings.**
3. Click **TEL Number Registration** from **Setting Item List:**.
The list of registered fax/telephone numbers is displayed.
4. Select an unoccupied code from list, and then click **Edit....**
The **Individual or Group Selection** dialog is displayed.
5. Click **Register individual TEL number** or **Register group dial**, and then click **Next....**

- If **Register individual TEL number** is selected:



1. Enter name.
2. Enter fax/telephone number.

- If **Register group dial** is selected:



No.	Name/Group Name	TEL Number
*01	XXXXXXXXXX	0400-000000
*02	XXXXXXXXXX	0400-000000
*03	XXXXXXXXXX	[Group]
*04	XXXXXXXXXX	0400-000000
*05	XXXXXXXXXX	0400-000000
*06	XXXXXXXXXX	0400-000000
*07	XXXXXXXXXX	0400-000000

1. Enter group name.
2. Select a code you want to add to group dial, and then click **Add >>**.

▶▶ Note

- You can only add the numbers that have already been registered.

6. Click OK.

To continue registering fax/telephone numbers or a group dial, repeat steps 4 to 6.

- To save the registered information on the computer.
 1. Click **Save to PC...**
 2. Enter file name on displayed screen, and then click **Save**.
- To register the registered information to the printer:
 1. Click **Register to Printer**.
 2. When message appears, check it and click **OK**.

The information is registered to the printer.

Changing a Fax/telephone Number Using Speed Dial Utility2

Follow the procedure below to change fax/telephone numbers.

►►► Note

- Before you change fax/telephone numbers using Speed Dial Utility2, make sure that no fax operations are in progress.

1. [Start up Speed Dial Utility2.](#)
2. Select a printer from **Printer Name:** list box, and then click **Display Printer Settings.**
3. Click **TEL Number Registration** from **Setting Item List:**.
The list of registered fax/telephone numbers is displayed.
4. Select a code to change from list, and then click **Edit...**

- If an individual fax/telephone number is selected:

Individual TEL Number Registration

No.: *00

Name: XXXXXXXXXXXX

TEL Number: XXXXXXXXXXXX

OK Cancel

1. Enter a new name.
2. Enter a new fax/telephone number.

- If a group dial is selected:

Group Dial Registration

No.: *08

Group Name: XXXXXXXXXXXX

Registered TEL Number List:

No.	Name/Group Name	TEL Number
*00	XXXXXXXXXX	XXXXXXXXXX
*01	XXXXXXXXXX	XXXXXXXXXX
*02	XXXXXXXXXX	XXXXXXXXXX
*03	ABCDEF	[Group]
*09	XXXXXXXXXX	XXXXXXXXXX

Group Dial List:

No.	Member	TEL Number
*04	XXXXXXXXXX	XXXXXXXXXX
*05	XXXXXXXXXX	XXXXXXXXXX
*06	XXXXXXXXXX	XXXXXXXXXX
*07	XXXXXXXXXX	XXXXXXXXXX

Add >> << Delete

OK Cancel

1. Enter a new group name.
2. Add or delete a member to/from group dial.

To add a member:

Select a code to add to group dial, and then click **Add >>**.

To delete a member:

Select a code to delete from group dial, and then click << **Delete**.

5. Click OK.

To continue changing fax/telephone numbers or group dials, repeat steps 4 and 5.

- To save the edited information on the computer.
 1. Click **Save to PC...**
 2. Enter file name on displayed screen, and then click **Save**.
- To register the edited information to the printer:
 1. Click **Register to Printer**.
 2. When message appears, check it and click **OK**.

The information is registered to the printer.

Deleting a Fax/telephone Number Using Speed Dial Utility2

Follow the procedure below to delete fax/telephone numbers.

▶▶▶ Note

- Before you delete fax/telephone numbers using Speed Dial Utility2, make sure that no fax operations are in progress.

1. [Start up Speed Dial Utility2.](#)
2. Select a printer from **Printer Name:** list box, and then click **Display Printer Settings.**
3. Click **TEL Number Registration** from **Setting Item List:**.
The list of registered fax/telephone numbers is displayed.
4. Select a code to delete from list, and then click **Delete.**

▶▶▶ Note

- To delete all fax/telephone numbers on the list, click **Select All**, and then **Delete.**

5. When confirmation screen appears, click **OK.**

The selected fax/telephone number is deleted.

To continue deleting fax/telephone numbers, repeat steps 4 and 5.

- To save the edited information on the computer.
 1. Click **Save to PC....**
 2. Enter file name on the displayed screen, and then click **Save.**
- To register the edited information to the printer:
 1. Click **Register to Printer.**
 2. When message appears, check it and click **OK.**
The information is registered to the printer.

Changing Sender Information Using Speed Dial Utility2

Follow the procedure below to change the user's name or fax/telephone number.

1. [Start up Speed Dial Utility2.](#)
2. Select a printer from **Printer Name:** list box, and then click **Display Printer Settings.**
3. Click **User Information Setting** from **Setting Item List:**
The user's information is displayed.
4. Select an item to change, and then click **Edit....**
The **User Information** dialog is displayed.
5. Enter new user's name on **User Name** and new fax/telephone number in **TEL Number**, and then click **OK.**
 - To save the edited information on the computer:
 1. Click **Save to PC....**
 2. Enter file name on displayed screen, and then click **Save.**
 - To register the edited information to the printer:
 1. Click **Register to Printer.**
 2. When message appears, check it and click **OK.**
The information is registered to the printer.

Registering/Changing Rejected Number Using Speed Dial Utility2

Follow the procedure below to register, change, or delete rejected numbers.

1. [Start up Speed Dial Utility2.](#)
2. Select a printer from **Printer Name:** list box, and then click **Display Printer Settings.**
3. Click **Rejected Number Setting** from **Setting Item List:**.

The list of rejected numbers is displayed.

- To register a rejected number:
 1. Select an unoccupied code from list, and then click **Edit...**
 2. Enter fax/telephone number in **Rejected Number** dialog, and then click **OK.**
- To change a rejected number:
 1. Select a code to change from list, and then click **Edit...**
 2. Enter fax/telephone number in **Rejected Number** dialog, and then click **OK.**
- To delete a rejected number:
 1. Select a code to delete from list, and then click **Delete.**

The selected fax/telephone number is deleted.

▶▶▶ Note

- To delete all fax/telephone numbers on the list, click **Select All**, and then **Delete.**

Registering Telephone Directory Has been Saved on Your Computer to Printer

You can load the data of the telephone directory (RSD file, *.rsd) and register it to your printer.

The data of the telephone directory (RSD file, *.rsd) that is exported from other printer can be loaded and registered to your printer.

▶▶▶ Note

- In Speed Dial Utility2, the data of the telephone directory (RSD file, *.rsd) that is exported using Speed Dial Utility can be loaded.

1. [Start up Speed Dial Utility2.](#)
2. Select a printer from **Printer Name:** list box, and then click **Display Printer Settings.**
3. Click **Load from PC....**
4. Select a data of telephone directory (RSD file, *.rsd) to register to your printer.
5. Click **Open** on dialog.

The selected telephone directory is displayed.

▶▶▶ Note

- If you select the data of the telephone directory (RSD file, *.rsd) that is exported from other printer, the confirmation message appears. Click **OK.**

6. Click **Register to Printer.**

The telephone directory that has been saved on the computer is registered to your printer.

Sending Faxes Using Operation Panel of Printer

- ▶ **Sending Faxes by Entering Fax/Telephone Number** 📌 **Basic**
- ▶ **Resending Faxes (Redialing Busy Number)**
- ▶ **Setting Items for Sending Faxes**

Sending Faxes by Entering Fax/Telephone Number

This section describes dialing and sending faxes directly by entering the fax/telephone numbers.

▶▶▶ Important

- It may be possible that faxes will reach unintended recipients due to the misdialing or incorrect registration of fax/telephone numbers. When you send important documents, we recommend that you send them after speaking on the telephone.

➔ [Sending Fax after Speaking on Telephone](#)

1. [Check that printer is turned on.](#)

2. Press the **FAX** button.

The Fax standby screen is displayed.

```
FAX [Start]=Offhook  
05/05 12:19 TEL prior
```

3. [Load documents on platen or in ADF \(Auto Document Feeder\).](#)

▶▶▶ Important

- When sending a double-sided document, load the document on the platen. Double-sided documents cannot be automatically scanned and sent from the ADF.

▶▶▶ Note

- For details on the types, conditions of document, and how to load the document:

➔ [Loading Originals](#)

4. Adjust the scan contrast and resolution as necessary.

➔ [Setting Items for Sending Faxes](#)

5. Use the Numeric buttons to dial the recipient's fax/telephone number.

```
FAX ##→Pause  
☎= 0987654321
```

Use the following buttons to dial the recipient's fax/telephone number.

Numeric buttons:

Enters the number.

▶ button:

Enters a space.

◀ button:

Deletes the last character you entered.

button:

By pressing this button once, "#" is entered. By pressing this button one more time, "P" is entered.

6. Press the **Black** button or the **Color** button.

The printer starts scanning the document.

Important

- Color transmission is available only when the recipient's fax device supports color faxing.
- Do not open the document cover until scanning is completed.

7. Start sending.

• **If you load the document in the ADF:**

The printer scans the document automatically and starts sending the fax.

Note

- To cancel a fax transmission, press the **Stop** button. To cancel a fax transmission while it is in progress, press the **Stop** button, then follow the instructions on the LCD.
- If documents remain in the ADF after the **Stop** button is pressed while scanning is in progress, **Original in ADF [OK]Eject the original** is displayed on the LCD. By pressing the **OK** button, the remaining documents are automatically ejected.

• **If you load the document on the platen:**

After scanning the document, the confirmation screen asking you if you load the next document is displayed.

To send the scanned document, press the **OK** button to start sending it.

To send two or more pages, follow the message to load the next page, and press the **Color** or **Black** button. After scanning all pages, press the **OK** button to start sending.

Note

- To cancel sending the fax, press the **Stop** button.

Note

- When your printer is connected to a PBX (Private Branch Exchange) system, refer to the operating instructions of the system for details on dialing the recipient's fax/telephone number.
- In case the printer was not able to send a fax, such as when the recipient's line was busy, it has the function to automatically redial the number after a specified interval. Automatic redialing is enabled by default.
 - ➔ [Automatic Redialing](#)
- Unsent documents, such as those pending redial, are stored in the printer's memory. They are not stored in the case of a sending error.
 - ➔ [Document Stored in Printer's Memory](#)

- Do not unplug the power cord until all documents are sent. If you unplug the power cord, all unsent documents stored in the printer's memory are lost.

Resending Faxes (Redialing Busy Number)

There are two methods of redialing: Automatic redialing and Manual redialing.

- Automatic Redialing

If you send a document and the recipient's line is busy, the printer will redial the number after a specified interval.

➔ [Automatic Redialing](#)

- Manual Redialing

You can redial to the recipients dialed using the Numeric buttons.

➔ [Manual Redialing](#)

▶▶▶ Important

- It may be possible that faxes will reach unintended recipients due to the misdialing or incorrect registration of fax/telephone numbers. When you send important documents, we recommend that you send them after speaking on the telephone.

➔ [Sending Fax after Speaking on Telephone](#)

▶▶▶ Note

- Automatic redialing is enabled by default.
- For details on the basic sending operations:
➔ [Sending Faxes by Entering Fax/Telephone Number](#)

Automatic Redialing

You can enable or disable automatic redialing. If you enable automatic redialing, you can specify the maximum number of redial attempts and the length of time the printer waits between redial attempts.

Enable and specify the automatic redialing setting on **Auto redial** in **Adv. fax settings** under **Fax settings**.

➔ [Adv. fax settings](#)

▶▶▶ Important

- While automatic redialing, the unsent fax is stored in the printer's memory temporarily until the sending fax is complete. If a power failure occurs or you unplug the power cord before automatic redialing is complete, all faxes stored in the printer's memory are deleted and not sent.

▶▶▶ Note

- To stop automatic redialing, wait until the printer starts redialing, then press the **Stop** button.
- To cancel automatic redialing, delete the unsent fax from the printer's memory while the printer is on-standby for a redial operation. For details, see [Deleting Document in Printer's Memory](#).

Manual Redialing

Follow the procedure below for manual redialing.

1. [Check that printer is turned on.](#)
2. Press the **FAX** button.
The Fax standby screen is displayed.
3. [Load documents on platen or in ADF \(Auto Document Feeder\).](#)
4. Adjust the scan contrast and resolution as necessary.
➔ [Setting Items for Sending Faxes](#)
5. Press the **MENU** button.
The **Fax menu** screen is displayed.
6. Select **Redial**, then press the **OK** button.



7. Select the recipient's number to redial, then press the **OK** button.
8. Press the **Black** button or the **Color** button.

▶▶▶ Important

- Color transmission is available only when the recipient's fax device supports color faxing.

▶▶▶ Note

- For manual redialing, the printer memorizes up to 10 recent recipients dialed by entering the fax/telephone numbers. Note that the printer does not memorize any recipients dialed using the redial function or selecting from the directory.
- To cancel manual redialing, press the **Stop** button. To cancel a fax transmission while it is in progress, press the **Stop** button, then follow the instructions on the LCD.
- If documents remain in the ADF after the **Stop** button is pressed while scanning is in progress, **Original in ADF [OK]Eject the original** is displayed on the LCD. By pressing the **OK** button, the remaining documents are automatically ejected.

Setting Items for Sending Faxes

If you select **Fax TX settings** after pressing the **MENU** button on the Fax standby screen, you can specify the settings of the scan contrast and the scan resolution.

Adjust the scan contrast and resolution following the procedure below.

1. Press the **MENU** button on the Fax standby screen.

The **Fax menu** screen is displayed.

2. Select **Fax TX settings**, then press the **OK** button.

3. Select **Scan contrast**, then press the **OK** button.

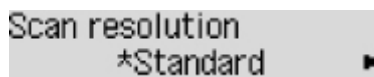
4. Select the scan contrast, then press the **OK** button.



The ◀ button decreases the scan contrast, and the ▶ button increases the scan contrast.

5. Select **Scan resolution**, then press the **OK** button.

6. Select the scan resolution.



▶▶▶ Note

- The * (asterisk) on the LCD indicates the current setting.

Standard

Suitable for text-only documents.

Fine

Suitable for fine-print documents.

Extra fine

Suitable for detailed illustration or fine-print quality documents.

If the recipient's fax device is not compatible with **Extra fine** (300 x 300 dpi), the fax will be sent in the **Standard** or **Fine** resolution.

Photo

Suitable for photographs.

»» Note

- When sending a color fax, documents are always scanned in the same resolution (200 x 200 dpi). The image quality (compression rate) is determined by which scan resolution is selected, except that **Extra fine** and **Photo** provide the same image quality.

7. Press the OK button.

The LCD returns to the Fax standby screen.

Sending Faxes from Computer (Mac OS)

- ▶ **Sending Faxes Using AirPrint**
- ▶ **General Notes (Fax Transmission Using AirPrint)**

Sending Faxes Using AirPrint

You can send faxes from a printer using AirPrint.

To send faxes, add your printer to your computer.

Checking Environment

First, check your environment.

- **AirPrint operation environment**

A computer running Mac OS.

▶▶▶ **Note**

- For supported operating system versions, click Home to return to the top page of the Online Manual for your model and search for "Specifications."

- **Requirement**

The computer and your printer must be connected correctly.

Adding Printer to Computer

1. Open **System Preferences** and select **Printers & Scanners (Print & Scan)**.
2. Click **+** to display printer list.
3. Select printer model name with **Bonjour Multifunction** displayed.

▶▶▶ **Note**

- If the printer does not appear, check the following.
 - The printer is turned on.
 - The firewall function of the security software is off.
 - The printer is connected to the access point or directly connected to the computer.
- If using the printer with USB connection, select **USB Multifunction**.

4. Select **Secure AirPrint** or **AirPrint** from **Use**.

5. Click **Add**.

Sending Fax

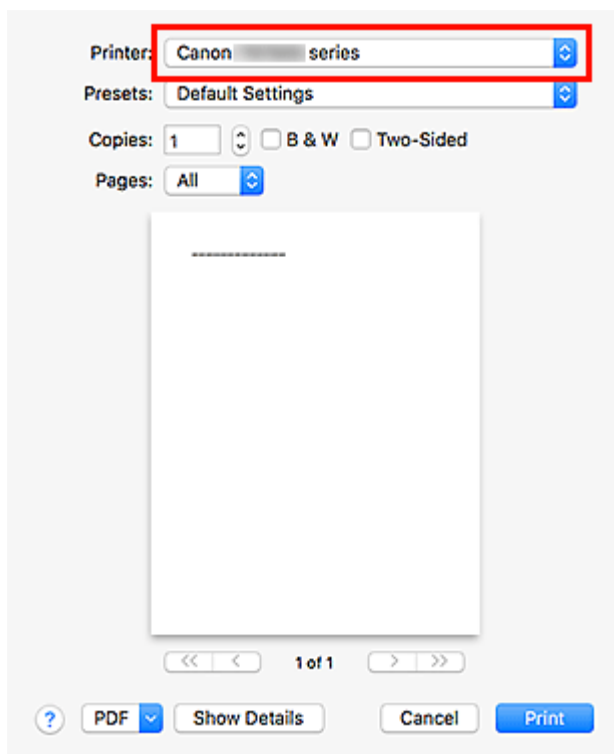
▶▶▶ **Note**

- Only black and white transmission is supported.

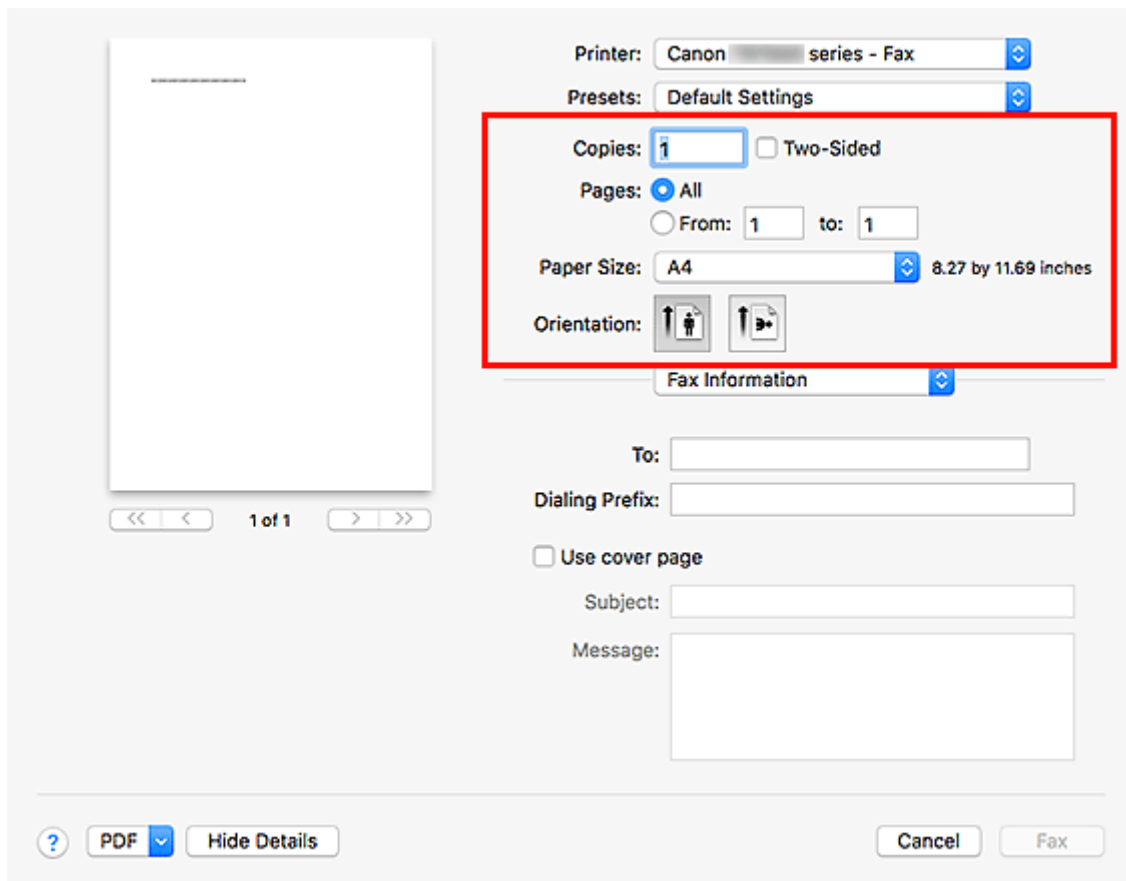
1. Make sure printer is on.
2. In application, open document to fax.
3. Open Print dialog.

To open the Print dialog, you typically select Print... from the File menu of your application software.

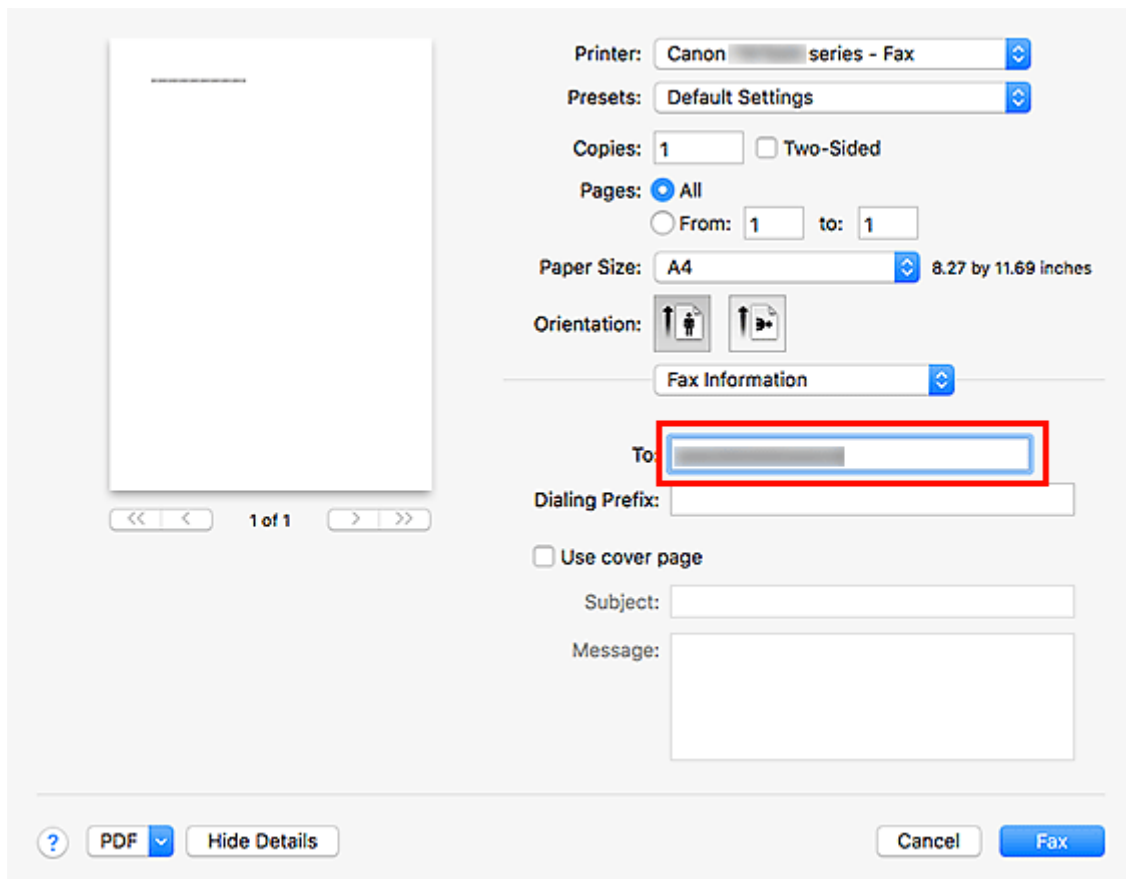
4. Select **Canon XXX series - Fax** (where "XXX" is the model name) from **Printer** list.



5. Specify fax paper settings as needed.



6. Enter fax/telephone numbers in To.



If you specify a dialing prefix, enter the code in **Dialing Prefix** and specify the cover page settings as needed.

7. Click **Fax**.

The number is dialed automatically and the fax is sent.

▶▶▶ **Note**

- To cancel sending the fax, press the printer's **Stop** button.

Automatic Redialing

If the fax could not be sent (for example, when the recipient was busy), the number is redialed automatically according to the automatic redialing setting of the printer.

You can enable or disable automatic redialing. If you enable automatic redialing, you can specify the maximum number of redial attempts and the length of time the printer waits between redial attempts.

▶▶▶ **Note**

- To cancel automatic redialing, wait until redialing starts, and then press the printer's **Stop** button.
- For more details, click Home to return to the top page of the Online Manual for your model and search for "FAX settings."

General Notes (Fax Transmission Using AirPrint)

Sending faxes is subject to the following restrictions.

- Enter the characters in **To** and **Dialing Prefix** so that the total number of characters is within 40 characters.
- You can use the following characters for **To**:

Character	Explanation
0 - 9 * #	For use in telephone and fax numbers.
+ space	To make the number easier to read. You cannot insert a space at the front of a number.

- You can use the following characters for **Dialing Prefix**:

Character	Explanation
0 - 9 * #	For use in telephone and fax numbers.
p	To place a pause between numbers.
T	Numbers after the T will be sent as a tone signal.
+ space	To make the number easier to read. You cannot insert a space at the front of a number.

Receiving Faxes

- ▶ **Receiving Faxes**
- ▶ **Changing Paper Settings**
- ▶ **Substitute Reception in Printer's Memory**

Receiving Faxes

This section describes the preparation necessary for receiving a fax and how to receive a fax.

Preparing for Receiving a Fax

Prepare for receiving a fax according to the following procedure.

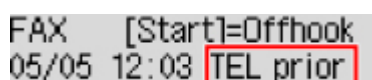
1. [Check that printer is turned on.](#)

2. Press the **FAX** button.

The Fax standby screen is displayed.

3. Make sure of the receive mode setting.

Make sure of the receive mode setting displayed on the Fax standby screen.



FAX [Start]=Offhook
05/05 12:03 TEL prior

▶▶▶ Note

- For details on how to change the receive mode:

➔ [Setting Receive Mode](#)

4. [Load paper.](#)

Load the sheets of plain paper.

5. Specify the paper settings as necessary.

➔ [Changing Paper Settings](#)

This completes the preparation for receiving fax.

When a fax is received, it is printed on the loaded paper automatically.

Receiving a Fax

Depending on the selected receive mode, the receive operation varies.

To print the received fax, open the operation panel and press the **OK** button. Printing does not start if the operation panel is closed.

▶▶▶ Note

- For details on the receive mode:

➔ [Setting Receive Mode](#)

- You can specify the advanced settings of each receive mode.

For details on the advanced settings of the receive mode:

➔ [Advanced Settings of Receive Mode](#)

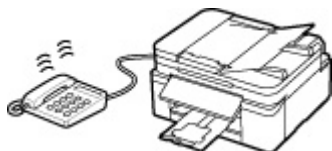
- If the printer was not able to print a received fax, the printer stores the unprinted fax in its memory (Substitute Reception).

➔ [Substitute Reception in Printer's Memory](#)

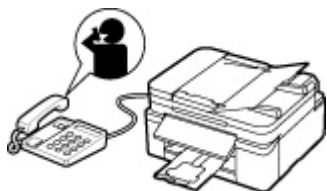
When Tel. priority mode is selected:

- **When the call is a fax:**

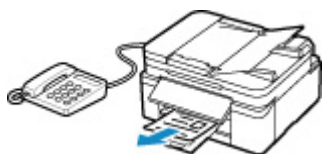
The telephone will ring when a call comes.



Pick up the handset. If you hear the fax tone, wait for at least 5 seconds after it stops, then hang up the handset.



The printer will receive the fax.



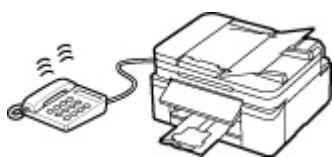
▶▶▶ Note

- If the printer will not switch to fax reception, press the **FAX** button, then the **Color** or **Black** button to receive the fax.
- To receive a fax without picking up the handset, set **Manual/auto switch** of the advanced setting to **ON**. **RX start time** allows you to specify the number of seconds until the printer switches to fax reception.
- If you have subscribed to Duplex Ringing service in Hong Kong, the telephone will ring a specified number of times when there is an incoming call with a fax distinctive ring pattern. Then, the printer will switch to fax reception automatically without the handset being picked up. The number of times to ring the telephone until switching to fax reception can be changed.
- Set the printer to enable you to initiate fax reception from a connected telephone (remote reception).
 - ➔ Remote Reception
- **When the answering machine is connected to the printer:**
 - If the answering machine is set to the answering mode, set **User-friendly RX** of the advanced setting to **ON**. If the call is a fax, the printer will receive the fax automatically.

- If the answering mode is turned off on the answering machine, pick up the handset. If you hear the fax tone, wait for at least 5 seconds after it stops, then hang up the handset.
- If **Manual/auto switch** of the advanced setting is set to **ON**, set **RX start time** to longer than the time before the answering machine starts playing the answering message. After making this setting, we recommend that you call the answering machine using a mobile phone, etc. to confirm that messages are recorded successfully in the answering machine.
- Set your answering machine to answering mode and adjust it as follows:
 - The entire message should be no longer than 15 seconds.
 - In the message, tell your callers how to send a fax.

• **When the call is a voice call:**

The telephone will ring when a call comes in.



Pick up the handset, and talk on the telephone.



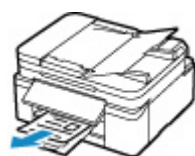
▶▶▶ **Note**

- If the printer unexpectedly switches to fax reception during telephone calls, set **User-friendly RX** of the advanced setting to **OFF**.
- If **Manual/auto switch** of the advanced setting is set to **ON**, you must answer an incoming call by picking up the handset within the time specified in **RX start time**. Otherwise the printer will switch to fax reception.

When Fax only mode is selected:

• **When the call is a fax:**

The printer will receive the fax automatically.



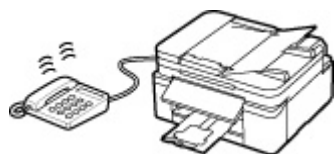
▶▶▶ **Note**

- If a telephone is connected to the printer, the telephone will ring when a call comes in.
- You can change the number of times to ring the telephone with **Incoming ring** of the advanced setting.

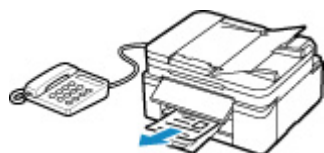
When DRPD or Network switch is selected:

- **When the call is a fax:**

The telephone will ring when a call comes.



The printer will receive the fax automatically when the fax ring pattern is detected.



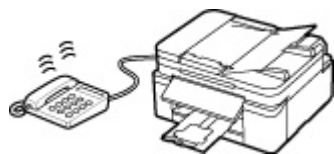
►► Note

- You can change the number of times to ring the telephone.
 - ➔ [Advanced Settings of Receive Mode](#)

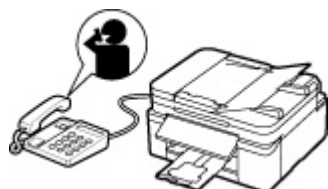
- **When the call is a voice call:**

The telephone will ring when a call comes.

When the printer does not detect the fax ring pattern, the telephone will continue ringing.



Pick up the handset, and talk on the telephone.



►► Note

- To use this feature, you need to subscribe to a compatible service provided by your telephone company.
- **For DRPD**

You need to select the appropriate ring pattern on the printer.

 - ➔ [Setting the DRPD Ring Pattern \(US and Canada only\)](#)
- **For Network switch**

The name of this service varies depending on the country or region of purchase. This setting may not be also available depending on the country or region of purchase.

Changing Paper Settings

This printer prints received faxes to paper loaded in the printer beforehand. You can use the operation panel to change the paper settings for printing faxes. Make sure that the settings are appropriate for the loaded paper.

▶▶▶ Important

- If the size of loaded paper is different from that specified in the paper size setting, **Check page size Press [OK]** are displayed on the LCD. In this case, load the same size of paper as that specified in the paper size setting, then press the **OK** button.

You can also press the **Stop** button to close the message and print the stored documents in the printer's memory later.

➔ [Printing Document in Printer's Memory](#)

- If no paper is loaded, or paper has run out while printing is in progress, the error message for no paper is displayed on the LCD. In this case, load paper and press the **OK** button.

You can also press the **Stop** button to close the message and print the stored documents in the printer's memory later.

➔ [Printing Document in Printer's Memory](#)

▶▶▶ Note

- If the sender sends a document that is larger than Letter-size or Legal-size, such as 11 x 17 inches, the sender's printer may send the fax automatically reduced in size or divided, or send only a part of the original.

1. [Check that printer is turned on.](#)

2. Press the **FAX** button.

The Fax standby screen is displayed.

3. Press the **MENU** button.

The **Fax menu** screen is displayed.

4. Select **Fax paper settings**, then press the **OK** button.

5. Select a setting item, then press the **OK** button.

6. Specify the settings.

Use the ◀▶ button to adjust each setting item, then press the **OK** button. The next setting item is displayed.

The LCD returns to the Fax standby screen when all the settings are complete or when pressing the **FAX** button.

▶▶▶ Note

- The * (asterisk) on the LCD indicates the current setting.

Page size

Select the page size from **A4**, **Letter**, or **Legal**.

▶▶▶ Note

- Some of page sizes are not available depending on the country or region of purchase.

Media type

The paper type is set to **Plain paper**.

Paper Source

Select a paper source (**Rear tray/Cassette/Auto**) where paper is loaded.

▶▶▶ Note

- When **Auto** is selected, paper is fed from the paper source where the paper that matches the paper settings (page size and media type) is loaded.

2-sided

Select whether to perform two-sided printing when printing faxes, reports, or lists.

Substitute Reception in Printer's Memory

The printer prints the received fax automatically by default. And furthermore, the printer stores the received fax in its memory. When the faxes are stored in the printer's memory, the **FAX Memory** lamp is lit or flashes. In the following conditions, the received fax is not printed automatically, only is stored in the printer's memory. (Substitute Reception) Then **Received in memory** is displayed at the Fax standby screen.

- **When Do not print is selected for Received documents in Auto print settings under Fax settings**

- **An error has occurred on the printer:**

If you select **Print** for **Received documents** in **Auto print settings** under **Fax settings**, a received fax will be printed automatically. However, if any of the following errors occurs, the received fax will not be printed. It will instead be stored in the printer's memory.

When the error is resolved, the fax stored in the printer's memory is printed automatically.

- Paper has run out:

Load paper, then press the **OK** button.

- A different size of paper from that specified by **Page size** in **Fax paper settings** is loaded:

Load the same size of paper as that specified by **Page size**, then press the **OK** button.

- **You pressed the Stop button to cancel printing of a fax:**

Press the **FAX** button to resume printing of the fax.

»» Important

- When the printer's memory is full, the faxes stored latest overwrite those stored earliest. However, the unprinted faxes are not overwritten.

➔ [Information on Received Faxes](#)

- If the printer's memory is full with the unprinted faxes, the printer cannot receive the faxes. Check the **FAX Memory** lamp regularly, print the faxes, and delete them from the printer's memory.

➔ [Document Stored in Printer's Memory](#)

- If you unplug the power cord, all faxes stored in the printer's memory are deleted. The next time you turn the printer on, press the **OK** button after a confirmation screen is displayed. The list of the faxes deleted from the printer's memory (MEMORY CLEAR REPORT) will be printed.

Information on Received Faxes

By default, received faxes will be printed immediately after they are received.

In addition, faxes will be stored in the printer's memory automatically when they are received.

However, the printer's memory has an upper limit on the number of faxes or subjects it can contain. When the amount of stored fax reaches the upper limit of the printer's memory, faxes stored latest will overwrite those stored earliest.

If you use the fax capabilities, make sure sufficient ink remains in the ink tank in advance. In addition, we recommend you refill the ink tank early so that ink does not become insufficient while fax printing is in progress. Visually inspect the remaining ink in the printer's ink tank.

Moreover, we recommend you check printed pages immediately after faxes are received. If a fax remains in the printer's memory, you can reprint it after refilling the ink tank.

If [Do not print] is selected for [Received documents] on [Auto print settings] under [Fax settings] on the operation panel of the printer, received faxes will not be printed immediately. Instead, faxes are stored in the printer's memory automatically and you can select and print those stored from the printer's memory. In this setting, the printer does not receive faxes if the printer's memory reaches its upper limit. Thus, stored faxes are not overwritten automatically.

Other Useful Fax Functions

- ▶ **Document Stored in Printer's Memory**

Document Stored in Printer's Memory

The faxes will be stored in the printer's memory automatically when they are received. However, printer's memory has an upper limit on the number of faxes or subjects it can contain. When the printer's memory is full, faxes stored latest will overwrite those stored earliest.

➔ [Information on Received Faxes](#)

By default, the received faxes will be printed automatically after they are received.

In the following cases, the received faxes are not printed. The unprinted faxes are not overwritten even if the printer receives the faxes anew.

- Paper has run out.
- A different size of paper from that specified by **Page size** in **Fax paper settings** is loaded.
- **Do not print** is selected for **Received documents** in **Auto print settings** under **Fax settings**.
- You pressed the **Stop** button to cancel printing of a received fax.

If the printer's memory is full with the unprinted faxes, the printer cannot receive the faxes. Check the **FAX Memory** lamp regularly, print the faxes, and delete them from the printer's memory.

➔ [Printing Document in Printer's Memory](#)

➔ [Deleting Document in Printer's Memory](#)

»» Important

- The printer can store up to max. 50 pages* (max. 20 documents) of faxes in the printer's memory.
 - * When using ITU-T No.1 chart (Standard mode)
- If you unplug the power cord of the printer, all faxes stored in the printer's memory are deleted.

»» Note

- The **FAX Memory** lamp lights, flashes, or is off depending on the faxes stored in the printer's memory.
 - OFF: Faxes are not stored in the printer's memory.
 - Lights: Printed fax is stored in the printer's memory.
 - Flashes: During reception or unprinted fax is stored in the printer's memory.
- * When **Do not print** is selected for **Received documents** in **Auto print settings**, the **FAX Memory** lamp lights even if the unprinted fax is stored in the printer's memory.
- When confirming, printing, or deleting a document stored in the printer's memory, you specify it by its transaction number. If you do not know the transaction number for your target document, print the list of documents (MEMORY LIST) first.

For details on how to print MEMORY LIST, see [Printing Document in Printer's Memory](#).

Information on Received Faxes

By default, received faxes will be printed immediately after they are received.

In addition, faxes will be stored in the printer's memory automatically when they are received.

However, the printer's memory has an upper limit on the number of faxes or subjects it can contain. When the amount of stored fax reaches the upper limit of the printer's memory, faxes stored latest will overwrite those stored earliest.

As long as paper is loaded, the printer will perform printing even when the ink remaining is insufficient. Therefore, in case ink remaining is low, printed faxes may be unclear due to blurring of ink. In such case if the amount of stored faxes has reached its upper limit of the printer's memory, faxes stored in the printer's memory will be deleted in order from the earliest. As a result, you may not be able to see faxes either using printed material or the printer's memory.

Therefore, if you use the fax capabilities, make sure sufficient ink remains in the ink tank in advance. In addition, we recommend you refill the ink tank early so that ink does not become insufficient while fax printing is in progress. Visually inspect the remaining ink in the printer's ink tank.

Moreover, we recommend you check printed pages immediately after faxes are received. If a fax remains in the printer's memory, you can reprint it after refilling the ink tank.

If **Do not print** is selected for **Received documents** on **Auto print settings** under **Fax settings** on the operation panel of the printer, received faxes will not be printed immediately. Faxes are stored in the printer's memory automatically and you can select and print those stored from the printer's memory. In this setting, the printer does not receive faxes if the printer's memory reaches its upper limit. Thus, stored faxes are not overwritten automatically.

Printing Document in Printer's Memory

You can print a specified document in the printer's memory or print all the received documents in its memory at a time.

When printing a specified document, you specify it by its transaction number. If you do not know the transaction number for your target document, print the list of documents (MEMORY LIST) first.

1. [Check that printer is turned on.](#)

2. [Load paper.](#)

3. Press the **FAX** button.

The Fax standby screen is displayed.

4. Press the **MENU** button.

The **Fax menu** screen is displayed.

5. Select **Memory reference**, then press the **OK** button.

▶▶▶ Note

- If no document is stored in the printer's memory, **No documents in memory** is displayed on the LCD.

6. Select a print menu, then press the **OK** button.

Print memory list

You can print a list of the documents in the printer's memory (MEMORY LIST).

MEMORY LIST shows the transaction number of the unsent or unprinted fax (TX/RX NO.), transaction mode, recipient's number, and the date and time of the transaction.

A transaction number from "0001" to "4999" on MEMORY LIST indicates a document being sent. A transaction number from "5001" to "9999" on MEMORY LIST indicates a document being received.

Print specified doc.

You can specify the document and print it.

If you select this menu, the document selection screen is displayed.

```
Print specified doc.  
TX/RX no.          *0001
```


▶▶▶ Note

- A transaction number from "0001" to "4999" indicates a document being sent. A transaction number from "5001" to "9999" indicates a document being received.
- Each mark before the transaction number indicates the following:
No mark: Indicates a black and white document.

*: Indicates a color document.

#: Indicates the document during transmission.

Ⓜ: Indicates the document sent with sequential broadcasting.

- By pressing the  button or the **Tone** button, the transaction number displayed on the LCD is switched to transaction time or fax/telephone number.

Specify the document and print it following the procedure below.

1. Select the transaction number (TX/RX no.) of the document you want to print, then press the **OK** button.
2. Select whether to print only the first page of the document, then press the **OK** button.
 - If you select **Yes**:

Only the first page of the document will be printed.

The document is still stored in the printer's memory.
 - If you select **No**:

All pages of the document will be printed.

The screen to confirm whether to delete the printed document in the printer's memory is displayed.

If you select **Yes** and press the **OK** button, the printed document in the printer's memory is deleted.

▶▶▶ Note

- If there is not the specified document in the printer's memory, **No document** is displayed, and the printer returns to the previous screen.
- To return to the Fax standby screen, press the **Stop** button.

Print all RX docs

If you select this menu, the confirmation screen is displayed.

You can print all the received documents in the printer's memory.

If you select **Yes** and press the **OK** button, all the documents in the printer's memory will be printed.

Each time a document is printed, the screen to confirm whether to delete the printed document in the printer's memory is displayed.

If you select **Yes** and press the **OK** button, the printed document in the printer's memory is deleted.

Deleting Document in Printer's Memory

You can delete a specified document in the printer's memory or delete all the documents in its memory at a time.

▶▶▶ Note

- When deleting a specified document, you specify it by its transaction number (**TX/RX no.**). If you do not know the transaction number for your target document, print the list of documents (MEMORY LIST) first.

➔ [Printing Document in Printer's Memory](#)

1. [Check that printer is turned on.](#)
2. Press the **FAX** button.
The Fax standby screen is displayed.
3. Press the **MENU** button.
The **Fax menu** screen is displayed.
4. Select **Memory reference**, then press the **OK** button.

▶▶▶ Note

- If no document is stored in the printer's memory, **No documents in memory** is displayed on the LCD.

5. Select a delete menu, then press the **OK** button.

Del. specified doc.

You can specify the document and delete it.

If you select this menu, the document selection screen is displayed.

Del. specified doc.
TX/RX no. *0001

▶▶▶ Note

- A transaction number from "0001" to "4999" indicates a document being sent. A transaction number from "5001" to "9999" indicates a document being received.
- Each mark before the transaction number indicates the following:
 - No mark: Indicates a black and white document.
 - *: Indicates a color document.
 - #: Indicates the document during transmission.
 - &: Indicates the document sent with sequential broadcasting.

- By pressing the **#** button or the **Tone** button, the transaction number displayed on the LCD is switched to transaction time or fax/telephone number.

Specify the document and delete it following the procedure below.

1. Select the transaction number (**TX/RX no.**) of the document you want to delete, then press the **OK** button.

The confirmation screen is displayed.

2. Select **Yes**, then press the **OK** button.

The specified document will be deleted from printer's memory.

»» Note

- If there is not the specified document in the printer's memory, **No document** is displayed, and the printer returns to the previous screen.
- To return to the Fax standby screen, press the **Stop** button.

Delete all docs

If you select this menu, the confirmation screen is displayed.

You can delete all the documents in the printer's memory.

If you select **Yes** and press the **OK** button, all the documents in the printer's memory will be deleted.

Frequently Asked Questions



Network

- ➔ [Cannot Find Printer on Network](#)
- ➔ [Cannot Find Printer while Using Wi-Fi](#)
- ➔ [Network Key \(Password\) Unknown](#)
- ➔ Cannot Print or Connect

For other questions about network, [click here](#).



Print

- ➔ [Printer Does Not Print](#)
 - ➔ [Printouts Are Blank/Blurry or Fuzzy/Inaccurate or Bleeding Colors/Streaks or Lines](#)
 - ➔ [Printout Results Are Unsatisfactory](#)
 - ➔ [List of Support Code for Error \(Paper Jams\)](#)
 - ➔ Cannot Print or Connect
-



Installation

- ➔ [Failed to MP Drivers Installation \(Windows\)](#)
-



Fax

- ➔ [Cannot Send a Fax](#)
 - ➔ [Cannot Receive a Fax/Cannot Print a Fax/"Received in memory" Appears](#)
 - ➔ FAX Setup Guide
-



Error

- ➔ [Four-Digit Alphanumeric Characters Appear on LCD](#)
 - ➔ [When Error Occurred](#)
 - ➔ [Message \(Support Code\) Appears](#)
 - ➔ Repairing Your Printer
-

Solve Problems

Printer Does Not Work

- ➔ [Printer Does Not Turn On](#)
- ➔ [Printer Turns Off Unexpectedly or Repeatedly](#)
- ➔ [Wrong Language Appears in LCD](#)
- ➔ LCD Is Off
- ➔ [USB Connection Problems](#)
- ➔ [Cannot Communicate with Printer via USB](#)

- ➔ [Printer Does Not Print](#)
- ➔ Copying/Printing Stops
- ➔ Cannot Print Using AirPrint
- ➔ Printer Prints Slowly

- ➔ [Ink Does Not Come Out](#)
- ➔ [List of Support Code for Error \(Paper Jams\)](#)
- ➔ [Printer Does Not Pick up or Feed the Paper/"No Paper" Error](#)
- ➔ Automatic Duplex Printing Problems
- ➔ Paper Does Not Feed from Paper Source Specified in Printer Driver (Windows)
- ➔ [Printout Results Are Unsatisfactory](#)

- ➔ Scanning Problems (Windows)
- ➔ [Scanning Problems \(macOS\)](#)
- ➔ Scan Results Are Unsatisfactory (Windows)
- ➔ Scan Results Are Unsatisfactory (macOS)

- ➔ [Cannot Print/Scan from Smartphone/Tablet](#)

- ➔ [Cannot Send a Fax](#)
- ➔ [Cannot Receive a Fax/Cannot Print a Fax/"Received in memory" Appears](#)
- ➔ [Cannot Dial](#)
- ➔ [Telephone Disconnects During a Call](#)

Cannot Set Correctly (Network)

- ➔ [Cannot Find Printer on Check Printer Settings Screen During Setup \(Windows\)](#)
- ➔ [Cannot Find Printer while Using Wi-Fi](#)
- ➔ Cannot Find Printer while Using Wired LAN

- ➔ [Printer Suddenly Stopped Working for Some Reason](#)
- ➔ [Network Key \(Password\) Unknown](#)
- ➔ Forgot Administrator Password of Printer
- ➔ [Printer Cannot Be Used After Replacing Wireless Router or Changed Router Settings](#)

- ➔ Message Appears on Computer During Setup
- ➔ [Checking Network Information](#)
- ➔ [Restoring to Factory Defaults](#)

Cannot Set Correctly (Installation)

- ➔ [Failed to MP Drivers Installation \(Windows\)](#)
- ➔ [Updating MP Drivers in Network Environment \(Windows\)](#)

Error or Message Appears

- ➔ [Four-Digit Alphanumeric Characters Appear on LCD](#)
- ➔ [When Error Occurred](#)
- ➔ [Message \(Support Code\) Appears](#)
- ➔ A Message for Faxing Is Displayed on Fax Standby Screen

- ➔ [List of Support Code for Error](#)
- ➔ Error Message Appears on PictBridge (Wi-Fi) Compliant Device

- ➔ IJ Scan Utility Error Messages (Windows)
- ➔ IJ Scan Utility Lite Error Messages (macOS)
- ➔ ScanGear (Scanner Driver) Error Messages (Windows)

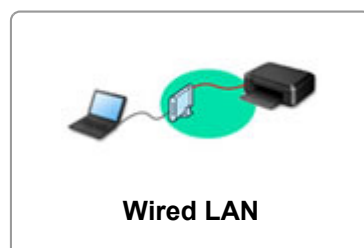
Operation Problems

- ➔ [Network Communication Problems](#)
- ➔ [Printing Problems](#)
- ➔ [Problems while Printing/Scanning from Smartphone/Tablet](#)

- ➡ Scanning Problems (Windows)
- ➡ [Scanning Problems \(macOS\)](#)
- ➡ [Faxing Problems](#)
- ➡ [Mechanical Problems](#)
- ➡ [Installation and Download Problems](#)
- ➡ [Errors and Messages](#)
- ➡ If You Cannot Solve a Problem
- ➡ Repairing Your Printer
- ➡ Check the State of the Print Head

Network Settings and Common Problems

Here are frequently asked questions on network. Select a connection method you are using, or you want to use.



Wireless LAN

Cannot Find Printer

- ➔ [Cannot Find Printer while Using Wi-Fi](#)
- ➔ [Cannot Find Printer on Check Printer Settings Screen During Setup \(Windows\)](#)
- ➔ [Cannot Proceed beyond Printer Connection Screen](#)
- ➔ Printer is Not Found by Printer Find Screen of Setup
- ➔ Searching Printer by IP Address or Host Name During Setup
- ➔ Error Occurs During Wi-Fi Setup
- ➔ [Detect Same Printer Name](#)
- ➔ [Reconfiguration Method of LAN Connection/Reconfiguration Method of Wi-Fi Connection](#)

Cannot Print or Connect

- ➔ [Printer Suddenly Stopped Working for Some Reason](#)
- ➔ [Printer Cannot Be Used After Replacing Wireless Router or Changed Router Settings](#)
- ➔ Cannot Access to Internet on Wi-Fi from Communication Device
- ➔ Connecting Printer and Wireless Router Using Easy WL connect
- ➔ Cannot Connect Smartphone/Tablet to Wireless Router
- ➔ Error Occurs During Wi-Fi Setup
- ➔ [Connects to Another Computer via LAN/Changes from USB to LAN Connection](#)
- ➔ Cannot Print or Connect

LAN Setting Tips/Changing LAN Settings

- ➔ [Network Key \(Password\) Unknown](#)
- ➔ Forgot Administrator Password of Printer
- ➔ [Checking Network Information](#)
- ➔ [Restoring to Factory Defaults](#)
- ➔ Checking Wireless Router SSID/Key
- ➔ Checking Wireless Router Network Name (SSID) for Smartphone/Tablet
- ➔ Privacy Separator/SSID Separator/Network Separation Function
- ➔ [Default Network Settings](#)
- ➔ [Connects to Another Computer via LAN/Changes from USB to LAN Connection](#)
- ➔ [Printing Network Settings](#)
- ➔ [Reconfiguration Method of LAN Connection/Reconfiguration Method of Wi-Fi Connection](#)
- ➔ Checking Status Code

Printing from Smartphone/Tablet

- ➔ Connecting Printer and Wireless Router Using Easy WL connect
- ➔ Cannot Connect Smartphone/Tablet to Wireless Router
- ➔ Checking Wireless Router Network Name (SSID) for Smartphone/Tablet
- ➔ Setting Up Using Smartphone/Tablet
- ➔ [Cannot Print/Scan from Smartphone/Tablet](#)
- ➔ Downloading Canon PRINT Inkjet/SELPHY

Problems while Using Printer

- ➔ Message Appears on Computer During Setup
- ➔ Printer Prints Slowly

Wireless Direct

Cannot Print or Connect

- ➔ [Printer Suddenly Stopped Working for Some Reason](#)
- ➔ Cannot Access to Internet on Wi-Fi from Communication Device
- ➔ Cannot Print or Connect

LAN Setting Tips/Changing LAN Settings

- ➔ [Network Key \(Password\) Unknown](#)
- ➔ Forgot Administrator Password of Printer
- ➔ [Checking Network Information](#)
- ➔ [Restoring to Factory Defaults](#)
- ➔ [Default Network Settings](#)
- ➔ [Printing Network Settings](#)
- ➔ [Reconfiguration Method of LAN Connection/Reconfiguration Method of Wi-Fi Connection](#)
- ➔ Checking Status Code

Printing from Smartphone/Tablet

- ➔ [Cannot Print/Scan from Smartphone/Tablet](#)
- ➔ Downloading Canon PRINT Inkjet/SELPHY

Problems while Using Printer

- ➔ Message Appears on Computer During Setup
- ➔ Printer Prints Slowly

Wired LAN

Cannot Find Printer

- ➔ Printer is Not Found by Printer Find Screen of Setup
- ➔ Searching Printer by IP Address or Host Name During Setup
- ➔ Cannot Find Printer while Using Wired LAN
- ➔ [Detect Same Printer Name](#)

Cannot Print or Connect

- ➔ [Printer Suddenly Stopped Working for Some Reason](#)
- ➔ Cannot Print or Connect

LAN Setting Tips/Changing LAN Settings

- ➔ Forgot Administrator Password of Printer
- ➔ [Checking Network Information](#)
- ➔ [Restoring to Factory Defaults](#)
- ➔ [Default Network Settings](#)
- ➔ [Connects to Another Computer via LAN/Changes from USB to LAN Connection](#)
- ➔ [Printing Network Settings](#)
- ➔ [Reconfiguration Method of LAN Connection/Reconfiguration Method of Wi-Fi Connection](#)
- ➔ Checking Status Code

Problems while Using Printer

- ➔ Message Appears on Computer During Setup
- ➔ Printer Prints Slowly

Network Communication Problems

- **Cannot Find Printer on Network**
- **Network Connection Problems**
- **Other Network Problems**

Cannot Find Printer on Network

While performing printer setup:

- **Cannot Find Printer on Check Printer Settings Screen During Setup (Windows)**
- **Cannot Proceed beyond Printer Connection Screen**

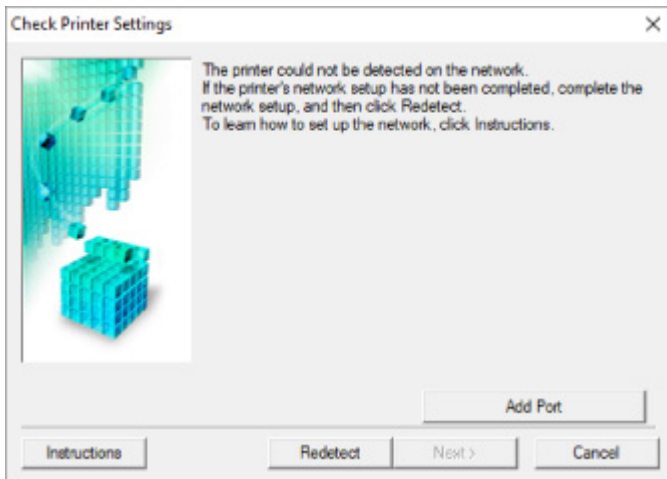
While using printer:

- **Cannot Find Printer while Using Wi-Fi**

Cannot Find Printer on Check Printer Settings Screen During Setup (Windows)

If the printer cannot be found and the **Check Printer Settings** screen appears after searching the printer by **Automatic search** on the **Search for Printers** screen during driver setup, click **Redetect** and search for the printer again by the IP address on the **Search for Printers** screen.

If the printer has not been found after searching it by the IP address, check network settings.



- **When using Wi-Fi:**

- ➔ [Checking Power Status](#)
- ➔ [Checking PC Network Connection](#)
- ➔ [Checking Printer's Wi-Fi Settings](#)
- ➔ [Checking Wi-Fi Environment](#)
- ➔ [Checking Printer's IP Address](#)
- ➔ [Checking Security Software Settings](#)
- ➔ [Checking Wireless Router Settings](#)

- **When using wired LAN:**

- ➔ [Checking LAN Cable and Router](#)
- ➔ [Checking PC Network Connection](#)
- ➔ [Checking Printer's Wired LAN Settings](#)
- ➔ [Checking Printer's IP Address](#)
- ➔ [Checking Security Software Settings](#)
- ➔ [Checking Router Settings](#)



Cannot Find Printer on Check Printer Settings Screen During Wi-Fi Setup (Windows)-Checking Power Status



Are printer and network device (router, etc.) turned on?

Make sure the printer is turned on.

➔ [Checking that Power Is On](#)

Make sure network device (router, etc.) is turned on.

If printer or network device is off:

Turn on printer or network device.

It may take a while for the printer and network device to become ready for use once they are turned on.

Wait a while after turning on the printer or network device, and then click **Redetect** on the **Check Printer Settings** screen to redetect the printer.

If the printer is found, follow the instructions on the screen to continue to set up network communication.

If printer and network device are on:

If the network devices are on, turn them off and on again.

If above does not solve the problem:

➔ [Checking PC Network Connection](#)



Cannot Find Printer on Check Printer Settings Screen During Wi-Fi Setup (Windows)-Checking PC Network Connection



Can you view any web pages on your computer?

Make sure the computer and network device (router, etc.) are configured and the computer is connected to the network.

If you cannot view any web pages:

Click **Cancel** on the **Check Printer Settings** screen to cancel to set up the network communication.

After that, configure the computer and network device.

For the procedures, refer to the instruction manuals supplied with the computer and network device, or contact their manufacturers.

If you can view web pages after configuring the computer and network device, try to set up the network communication from the beginning.

If you can view web pages, or if above does not solve the problem:



➔ [Checking Printer's Wi-Fi Settings](#)

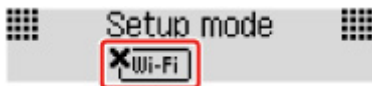


Cannot Find Printer on Check Printer Settings Screen During Wi-Fi Setup (Windows)-Checking Printer's Wi-Fi Settings



Is printer set to allow wireless communication?

Make sure the  or  icon is displayed on the LCD when the mode button is pressed.



If icon is not displayed:

The printer is not set to allow wireless communication. Turn on wireless communication on the printer.

If icon is displayed:

➔ [Checking Wi-Fi Environment](#)



Cannot Find Printer on Check Printer Settings Screen During Wi-Fi Setup (Windows)-Checking Wi-Fi Environment



Is the printer connected to the wireless router?

Use the icon on the LCD when the mode button is pressed to make sure the printer is connected to the wireless router.



If is displayed:

- Check wireless router configuration.

After checking the wireless router setting, make sure the printer is not placed far away from the wireless router.

The printer can be up to 50 m (164 ft) from the wireless router indoors. Make sure the printer is close enough to the wireless router to be used.

Place the printer and wireless router where there are no obstacles between them. Wireless communication between different rooms or floors is generally poor. Wireless communication can be impeded by building materials containing metal or concrete. If the printer cannot communicate with the computer over a Wi-Fi due to a wall, place the printer and the computer in the same room.

In addition, if a device like a microwave oven that emits radio waves of the same frequency bandwidth as a wireless router is nearby, it may cause interference. Place the wireless router as far away from interference sources as possible.

▶▶▶ Note

- Though an antenna is attached to most wireless routers, note that some of them have it inside.

- Check wireless router setting.

The printer and wireless router should be connected using 2.4 GHz bandwidth. Make sure the wireless router for the printer's destination is configured to use 2.4 GHz bandwidth.

▶▶▶ Important

- Note that some wireless routers distinguish network names (SSIDs) by the last alphanumeric character according to their bandwidth (2.4 GHz or 5 GHz) or purpose (for computer or game machine).

To check the network name (SSID) of the wireless router the printer is connected to, print the network settings.

➔ [Printing Network Settings](#)

For details, see the instruction manual supplied with the wireless router or contact the manufacturer.

After taking measures above, click **Redetect** on the **Check Printer Settings** screen to redetect the printer.

If the printer is found, follow the instructions on the screen to continue to set up network communication.

If the printer cannot be detected, the printer is not connected to the wireless router. Connect the printer to the wireless router.

After connecting the printer to the wireless router, set up the network communication from the beginning.

If  is displayed:

➔ [Checking Printer's IP Address](#)



Cannot Find Printer on Check Printer Settings Screen During Wi-Fi Setup (Windows)-Checking Printer's IP Address



Is printer's IP address specified correctly?

If printer's IP address is not specified correctly, the printer may not be found. Make sure whether printer's IP address is not used for another device.

To check the printer's IP address, print out the network settings information.

➔ [Printing Network Settings](#)

| If the IP address is not specified correctly:

See If an error screen appears: and specify the IP address.

| If the IP address is specified correctly:

➔ [Checking Security Software Settings](#)



Cannot Find Printer on Check Printer Settings Screen During Wi-Fi Setup (Windows)-Checking Security Software Settings



Make sure the firewall does not interfere with setup.

The firewall of your security software or operating system for computer may limit communication between the printer and your computer.

- **If a firewall message appears:**

If a firewall message appears warning that Canon software is attempting to access the network, set the security software to allow access.

After allowing the software to access, click **Redetect** on the **Check Printer Settings** screen to redetect the printer.

If the printer is found, follow the instructions on the screen to continue to set up network communication.

- **If no firewall message appears:**

Temporarily disable the firewall and redo the network communication setup.

After the setup is complete, re-enable the firewall.

▶▶▶ Note

- For more on firewall settings of your operating system or security software, see instruction manual or contact its manufacturer.

If above does not solve the problem:

➔ [Checking Wireless Router Settings](#)



Cannot Find Printer on Check Printer Settings Screen During Wi-Fi Setup (Windows)-Checking Wireless Router Settings



Check wireless router settings.

Check wireless router network connection settings, such as IP address filtering, MAC address filtering, encryption key, and DHCP function.

Make sure the same radio channel is assigned to the printer and the wireless router.

To check the settings of the wireless router, see the instruction manual supplied with the wireless router or contact the manufacturer.

In addition, make sure the wireless router you are using is configured to use 2.4 GHz bandwidth.

►► Important

- Depending on the wireless router, note that different network name (SSID) is assigned for a bandwidth (2.4 GHz or 5 GHz) or its usage (for PC or game machine) using alphanumeric characters at the end of network name (SSID).

After checking the wireless router settings, click **Redetect** on the **Check Printer Settings** screen to redetect the printer.

If the printer is found, follow the instructions on the screen to continue to set up network communication.



Cannot Find Printer on Check Printer Settings Screen During Wired LAN Setup (Windows)-Checking LAN Cable and Router



Is LAN cable connected, and are printer and router on?

Make sure the LAN cable is connected.

Make sure the printer is turned on.

➔ [Checking that Power Is On](#)

Make sure the router is turned on.

If LAN cable is connected and printer or network device is off:

Turn on printer or network device.

It may take a while for the printer and network device to become ready for use once they are turned on.

Wait a while after turning on the printer or network device, and then click **Redetect** on the **Check Printer Settings** screen to redetect the printer.

If the printer is found, follow the instructions on the screen to continue to set up the network communication.

If LAN cable is connected and printer and network device are on:

If the printer cannot be found after trying to redetect it, even though the printer and the network device are on:

➔ [Checking PC Network Connection](#)



Cannot Find Printer on Check Printer Settings Screen During Wired LAN Setup (Windows)-Checking PC Network Connection



Can you view any web pages on your computer?

Make sure the computer and network device (router, etc.) are configured and the computer is connected to the network.

If you cannot view any web pages:

Click **Cancel** on the **Check Printer Settings** screen to cancel to set up the network communication.

After that, configure the computer and network device.

For the procedures, refer to the instruction manuals supplied with the computer and network device, or contact their manufacturers.

If you can view web pages after configuring the computer and network device, try to set up the network communication from the beginning.

If you can view web pages:


➔ [Checking Printer's Wired LAN Settings](#)

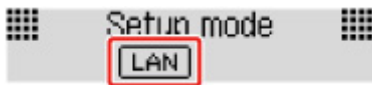


Cannot Find Printer on Check Printer Settings Screen During Wired LAN Setup (Windows)-Checking Printer's Wired LAN Settings



Is printer set to allow wired communication?

Make sure the  icon is displayed on the LCD when the mode button is pressed.



If icon is not displayed:

The printer is not set to allow wired communication. Turn on wired communication on the printer.

Once you have turned on wired communication, redo the network communication setup from the beginning.

If icon is displayed:

➔ [Checking Printer's IP Address](#)



Cannot Find Printer on Check Printer Settings Screen During Wired LAN Setup (Windows)-Checking Printer's IP Address



Is printer's IP address specified correctly?

If printer's IP address is not specified correctly, the printer may not be found. Make sure whether printer's IP address is not used for another device.

To check the printer's IP address, print out the network settings information.

➔ [Printing Network Settings](#)

| If the IP address is not specified correctly:

See If an error screen appears: and specify the IP address.

| If the IP address is specified correctly:

➔ [Checking Security Software Settings](#)



Cannot Find Printer on Check Printer Settings Screen During Wired LAN Setup (Windows)-Checking Security Software Settings



Make sure the firewall does not interfere with setup.

The firewall of your security software or operating system for computer may limit communication between the printer and your computer.

- **If a firewall message appears:**

If a firewall message appears warning that Canon software is attempting to access the network, set the security software to allow access.

After allowing the software to access, click **Redetect** on the **Check Printer Settings** screen to redetect the printer.

If the printer is found, follow the instructions on the screen to continue to set up the network communication.

- **If no firewall message appears:**

Temporarily disable the firewall and redo the network communication setup.

After the setup is complete, re-enable the firewall.

▶▶ Note

- For more on firewall settings of your operating system or security software, see instruction manual or contact its manufacturer.

If above does not solve the problem:

➔ [Checking Router Settings](#)



Cannot Find Printer on Check Printer Settings Screen During Wired LAN Setup (Windows)-Checking Router Settings



Check router settings.

Check router network connection settings such as IP address filtering, MAC address filtering, and DHCP function.

For more on checking the settings of the router, refer to the instruction manual supplied with the router or contact its manufacturer.

After checking the router settings, click **Redetect** on the **Check Printer Settings** screen to redetect the printer.

If the printer is found, follow the instructions on the screen to continue to set up network communication.



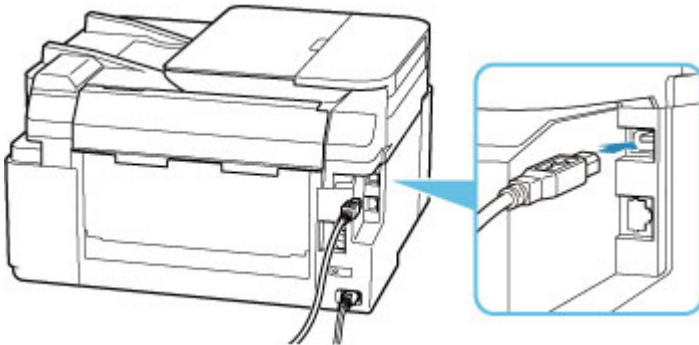
Cannot Proceed beyond Printer Connection Screen



If you cannot proceed beyond the **Printer Connection** screen, check the following.

Check1 Make sure USB cable is securely plugged in to printer and computer.

Connect the printer and the computer using a USB cable as the illustration below. The USB port is located at the back of the printer.




▶▶▶ Important

- Connect the "Type-B" terminal to the printer with the notched side facing UP. For details, refer to the instruction manual supplied with the USB cable.

Check2 Follow procedure below to connect printer and computer again.

▶▶▶ Important

- For macOS, make sure the lock icon is on the lower left of the **Printers & Scanners** screen.

If the  icon (locked) is displayed, click the icon to unlock. (The administrator name and the password are necessary to unlock.)

1. Unplug USB cable from printer and computer and connect it again.
2. Make sure no printer operation is in progress and turn off.
3. Turn on printer.

Check3 If you cannot resolve problem, follow procedure below to reinstall printer driver.

1. Finish setup.

2. Turn off printer.
3. Restart computer.
4. Make sure you have no application software running.
5. Click [here](#) and perform setup.



Cannot Find Printer while Using Wi-Fi




Check1 Make sure printer is turned on.


If not, make sure the printer is securely plugged in and press **ON** button to turn on.

The **ON** lamp flashes while the printer is initializing. Wait until the **ON** lamp stops flashing and remains lit.

Check2 Check the icon on LCD.

The  icon appears by pressing any mode button.

If the icon is not displayed, from the setup menu select **Device settings > LAN settings > Wi-Fi > Wi-Fi enab./disable** and then select **Enable**.

If the  icon is displayed, see Check 3 or later checking items to make sure whether printer setup is complete or the settings of wireless router to connect are correct.

Check3 Make sure printer setup is complete on the computer.

If it is not, click [here](#) and perform setup.

▶▶▶ Note

- IJ Network Device Setup Utility allows you to diagnose and repair the network status.

Select the link below to download IJ Network Device Setup Utility and install it.

- ➔ [Checking Printer Connection Status Using IJ Network Device Setup Utility](#)

See below for starting up IJ Network Device Setup Utility.

— **For Windows:**

- ➔ [Starting Up IJ Network Device Setup Utility](#)

— **For macOS:**

- ➔ [Starting Up IJ Network Device Setup Utility](#)

Check4 Make sure printer and wireless router network settings match.

Make sure the network settings of the printer (e.g. network name (SSID) or network key (password), etc.) are identical with those of the wireless router.

To check the settings of the wireless router, refer to the instruction manual provided with it or contact its manufacturer.

▶▶▶ Note

- Use 2.4 GHz frequency band to connect to a wireless router. Match the network name (SSID) set for the printer with that for 2.4 GHz frequency band of the wireless router.

To check the network name (SSID) set for the printer, print out the network setting information.

➔ [Printing Network Settings](#)

▶▶▶ Note

- IJ Network Device Setup Utility allows you to diagnose and repair the network status.

Select the link below to download IJ Network Device Setup Utility and install it.

➔ [Checking Printer Connection Status Using IJ Network Device Setup Utility](#)

See below for starting up IJ Network Device Setup Utility.

— **For Windows:**

➔ [Starting Up IJ Network Device Setup Utility](#)

— **For macOS:**

➔ [Starting Up IJ Network Device Setup Utility](#)

Check5 Make sure the printer is not placed too far away from the wireless router.

If the distance between the printer and wireless router is too far, wireless communication becomes poor. Place the printer and wireless router close to each other.

▶▶▶ Note

- Though an antenna is attached to most wireless routers, note that some of them have it inside.

Check6 Make sure wireless signal is strong. Monitor signal strength and move printer and wireless router as necessary.

Place the printer and wireless router where there are no obstacles between them. Wireless communication between different rooms or floors is generally poor. Wireless communication can be impeded by building materials containing metal or concrete. If the printer cannot communicate with the computer over a Wi-Fi due to a wall, place the printer and the computer in the same room.

In addition, if a device like a microwave oven that emits radio waves of the same frequency bandwidth as a wireless router is nearby, it may cause interference. Place the wireless router as far away from interference sources as possible.

Check the signal strength on the LCD.

➔ [LCD and Operation Panel](#)

▶▶▶ Note

- IJ Network Device Setup Utility allows you to diagnose and repair the network status.

Select the link below to download IJ Network Device Setup Utility and install it.

➔ [Checking Printer Connection Status Using IJ Network Device Setup Utility](#)

See below for starting up IJ Network Device Setup Utility.

— **For Windows:**

➔ [Starting Up IJ Network Device Setup Utility](#)

— For macOS:

➔ [Starting Up IJ Network Device Setup Utility](#)

Check7 Make sure the computer is connected to the wireless router.

For more on how to check the computer settings or connection status, see your computer instruction manual or contact its manufacturer.

▶▶▶ Note

- If you use a smartphone or tablet, make sure the Wi-Fi is enabled on the device.

Check8 Make sure **Enable bidirectional support** is selected in the **Ports** sheet of the **Printer properties** dialog box. (Windows)

If not, select it to enable bidirectional support.

Check9 Make sure security software's firewall is off.

If your security software's firewall is on, a message may appear warning you that Canon software is attempting to access the network. If this warning message appears, set security software to always allow access.

If you are using any programs that switch between network environments, check their settings. Some programs use a firewall by default.

Check10 If printer is connected to an AirPort Base Station via LAN, make sure you use alphanumeric characters for network name (SSID). (macOS)

If the problem is not resolved, click here and redo setup.

Network Connection Problems

- **Printer Suddenly Stopped Working for Some Reason**
- **Network Key (Password) Unknown**
- **Printer Cannot Be Used After Replacing Wireless Router or Changed Router Settings**

Printer Suddenly Stopped Working for Some Reason

- ➔ [Cannot Connect to a Printer after Network Configuration Changes](#)
- ➔ [Cannot Connect to a Printer via Wireless LAN \(Wi-Fi\)](#)
- ➔ [Cannot Connect to a Printer through Wireless Direct](#)
- ➔ [Cannot Connect to a Printer via Wired LAN](#)
- ➔ [Cannot Print/Scan/Fax through Network](#)

Cannot Connect to a Printer after Network Configuration Changes

It may take a while for the computer to obtain an IP address, or you may need to restart your computer. Make sure the computer has obtained a valid IP address, and try again to find the printer.

Cannot Connect to a Printer via Wireless LAN (Wi-Fi)

Check1 Check the power status of printer, network devices (e.g. wireless router), and smartphone/tablet.

- Turn on the printer or devices.
- If the power is already turned on, cycle the power switch.
- It may be necessary to resolve wireless router problems (e.g. update interval of a key, problems of DHCP update interval, energy saving mode, etc.) or to update the wireless router firmware.


For details, contact the manufacturer of your wireless router.

Check2 Can you view any web pages on your computer?

Make sure your computer is connected to the wireless router properly.

For more on checking computer settings or connection status, see the instruction manual supplied with the computer or contact the manufacturer.

Check3 Is the printer connected to the wireless router?

Use the icon on the LCD when the mode button is pressed to check the connection status between the printer and wireless router. If the  icon is not displayed, Wi-Fi is disabled. Turn on wireless communication on the printer.

Check4 Make sure the printer and wireless router network settings match.

Make sure the network settings of the printer (e.g. network name (SSID) or network key (password), etc.) are identical with those of the wireless router.

To check the settings of the wireless router, refer to the instruction manual provided with it or contact its manufacturer.

▶▶▶ Note

- Use 2.4 GHz frequency band to connect to a wireless router. Match the network name (SSID) set for the printer with that for 2.4 GHz frequency band of the wireless router.

To check the current network settings of the printer, print out the network setting information.

➡ [Printing Network Settings](#)

▶▶▶ Note

- IJ Network Device Setup Utility allows you to diagnose and repair the network status.

Select the link below to download IJ Network Device Setup Utility and install it.

➡ [Checking Printer Connection Status Using IJ Network Device Setup Utility](#)

See below for starting up IJ Network Device Setup Utility.

— **For Windows:**

➡ [Starting Up IJ Network Device Setup Utility](#)

— **For macOS:**

➡ [Starting Up IJ Network Device Setup Utility](#)

Check5 Make sure the printer is not placed too far away from the wireless router.

If the distance between the printer and wireless router is too far, wireless communication becomes poor. Place the printer and wireless router close to each other.

▶▶▶ Note

- Though an antenna is attached to most wireless routers, note that some of them have it inside.

Check6 Make sure wireless signal is strong. Monitor signal status and move printer and wireless router as necessary.

Place the printer and wireless router where there are no obstacles between them. Wireless communication between different rooms or floors is generally poor. Wireless communication can be impeded by building materials containing metal or concrete. If the printer cannot communicate with the computer over a Wi-Fi due to a wall, place the printer and the computer in the same room.

In addition, if a device like a microwave oven that emits radio waves of the same frequency bandwidth as a wireless router is nearby, it may cause interference. Place the wireless router as far away from interference sources as possible.

Check the signal strength on the LCD.

➡ [LCD and Operation Panel](#)

▶▶▶ Note

- IJ Network Device Setup Utility allows you to diagnose and repair the network status.

Select the link below to download IJ Network Device Setup Utility and install it.

➡ [Checking Printer Connection Status Using IJ Network Device Setup Utility](#)

See below for starting up IJ Network Device Setup Utility.

– **For Windows:**

➔ Starting Up IJ Network Device Setup Utility

– **For macOS:**

➔ [Starting Up IJ Network Device Setup Utility](#)

Check7 Make sure of the Wi-Fi channel numbers used for your computer.

You need to have the same Wi-Fi channel number that you are using for the wireless router as your computer. It is normally set in the way that you can use all the Wi-Fi channels. However, when the channels that you are using are restricted, the Wi-Fi channels do not match.

See the instruction manual provided with your computer and check the Wi-Fi channel number available for your computer.

Check8 Make sure channel set on wireless router is a usable channel as confirmed in Check 7.

If it is not, change the channel set on the wireless router.

Check9 Make sure security software's firewall is off.

If your security software's firewall is on, a message may appear warning you that Canon software is attempting to access the network. If this warning message appears, set security software to always allow access.

If you are using any programs that switch between network environments, check their settings. Some programs use a firewall by default.

Check10 If printer is connected to an AirPort Base Station via LAN, make sure you use alphanumeric characters for network name (SSID). (macOS)

If the problem is not resolved, click here and redo setup.

• **Positioning:**

Place the printer and wireless router where there are no obstacles between them.



Cannot Connect to a Printer through Wireless Direct



Check1 Check the power status of printer and other devices (smartphone or tablet).

Turn on the printer or devices.

If the power is already turned on, cycle the power switch.

Check2 Check printer settings.

Select **Device settings** > **LAN settings** > **Wireless Direct** > **Switch WL Direct** in this order and select **Yes**.

Check3 Check the settings of your device (smartphone/tablet).

Make sure Wi-Fi is enabled on your device.

For details, refer to your device's instruction manual.

Check4 Make sure printer is selected as connection for device (e.g. smartphone or tablet).

Select the network name (SSID) for Wireless Direct specified for the printer as the connection destination for devices.

Check the destination on your device.

For details, refer to your device's instruction manual or visit the manufacturer's website.

To check the network name (SSID) for Wireless Direct specified for the printer, display it using the operation panel of the printer or print out the network setting information of the printer.

- Display on the LCD.
 - ➔ [LAN settings](#)
- Print the network settings.
 - ➔ [Printing Network Settings](#)

Check5 Have you entered the proper password specified for the Wireless Direct?

To check the password specified for the printer, display it using the operation panel of the printer or print out the network setting information of the printer.

- Display on the LCD.
 - ➔ [LAN settings](#)
- Print the network settings.
 - ➔ [Printing Network Settings](#)

Check6 Make sure the printer is not placed too far away from the device.

If the distance between the printer and device is too far, wireless communication becomes poor. Place the printer and device close to each other.

Check7 Make sure 5 devices are already connected.

Wireless Direct does not allow more than 5 devices to be connected.



Cannot Connect to a Printer via Wired LAN



Check1 Make sure the printer is turned on.

Check2 Make sure the LAN cable is connected properly.

Make sure the printer is connected to the router with the LAN cable. If the LAN cable is loose, connect the cable properly.

If the LAN cable is connected to the WAN side of the router, connect the cable to the LAN side of the router.

If the problem is not resolved, click here and redo setup.

Cannot Print/Scan/Fax through Network

Check1 Make sure the computer is connected to the wireless router.

For more on how to check the computer settings or connection status, see your computer instruction manual or contact its manufacturer.

Check2 If MP Drivers are not installed, install them. (Windows)

Click here and install the MP Drivers.

Check3 When using Wi-Fi, make sure wireless router does not restrict which computers can access it.

For more on connecting to and setting up your wireless router, see the wireless router instruction manual or contact its manufacturer.

Note

- To check the MAC address or IP address of your computer, see [Checking Computer IP Address or MAC Address](#).

Network Key (Password) Unknown

- ➔ [WPA/WPA2 or WEP Key Set for Wireless Router Unknown, Cannot Connect](#)
- ➔ [Setting an Encryption Key](#)

WPA/WPA2 or WEP Key Set for Wireless Router Unknown, Cannot Connect

A

For more on setting up a wireless router, see the instruction manual provided with the wireless router or contact its manufacturer. Make sure your computer can communicate with the wireless router.

Note

- IJ Network Device Setup Utility allows you to diagnose and repair the network status.

Select the link below to download IJ Network Device Setup Utility and install it.

- ➔ [Checking Printer Connection Status Using IJ Network Device Setup Utility](#)

See below for starting up IJ Network Device Setup Utility.

- **For Windows:**

- ➔ [Starting Up IJ Network Device Setup Utility](#)

- **For macOS:**

- ➔ [Starting Up IJ Network Device Setup Utility](#)

Setting an Encryption Key

A

For more on setting up a wireless router, see the instruction manual provided with the wireless router or contact its manufacturer. Make sure your computer can communicate with the wireless router.

Note

- IJ Network Device Setup Utility allows you to diagnose and repair the network status.

Select the link below to download IJ Network Device Setup Utility and install it.

- ➔ [Checking Printer Connection Status Using IJ Network Device Setup Utility](#)

See below for starting up IJ Network Device Setup Utility.

- **For Windows:**

- ➔ [Starting Up IJ Network Device Setup Utility](#)

– **For macOS:**

➔ [Starting Up IJ Network Device Setup Utility](#)

Selecting WPA, WPA2, or WPA/WPA2 is recommended for security reason. If your wireless router is compatible with WPA/WPA2, you can also use WPA2 or WPA.

• **Using WPA/WPA2 (Windows)**

The authentication method, Wi-Fi password, and dynamic encryption type must be identical among the wireless router, the printer, and your computer.

Enter the Wi-Fi password configured on the wireless router.

Either TKIP (basic encryption) or AES (secure encryption) is selected automatically as the dynamic encryption method.

For details, see [If WPA/WPA2 Details Screen Appears](#).

➤➤➤ **Note**

- This printer supports WPA/WPA2-PSK (WPA/WPA2-Personal) and WPA2-PSK (WPA2-Personal).

• **Using WEP**

The length or format of the Wi-Fi password and authentication method must be identical among the wireless router, the printer, and your computer.

To communicate with a wireless router that generates a password automatically, you must set the printer to use the password generated by the wireless router.

◦ **For Windows:**

When the **WEP Details** screen appears after you click **Search...** on the **Network Settings (Wi-Fi)** screen in IJ Network Device Setup Utility, follow the on-screen instructions to set the password length, format, and the password to use.

For details, see [If WEP Details Screen Appears](#).

➤➤➤ **Note**

- If the printer is connected to an AirPort Base Station via LAN:

If the printer is connected to an AirPort Base Station via a LAN, check the settings in **Wireless Security of AirPort Utility**.

- Select **64 bit** if **WEP 40 bit** is selected for password length in AirPort Base Station.
- Select **1** for the password to use. Otherwise, computer will not be able to communicate with printer via the wireless router.



Printer Cannot Be Used After Replacing Wireless Router or Changed Router Settings



When you replace a wireless router, redo the network setup for the printer according to the replaced one.

Click [here](#) and perform setup.

▶▶▶ Note

- IJ Network Device Setup Utility allows you to diagnose and repair the network status.

Select the link below to download IJ Network Device Setup Utility and install it.

- ➔ [Checking Printer Connection Status Using IJ Network Device Setup Utility](#)

See below for starting up IJ Network Device Setup Utility.

- **For Windows:**

- ➔ [Starting Up IJ Network Device Setup Utility](#)

- **For macOS:**

- ➔ [Starting Up IJ Network Device Setup Utility](#)

If this does not solve the problem, see below.

- ➔ [Cannot Communicate with Printer After Enabling MAC/IP Address Filtering or Encryption Key on Wireless Router](#)
- ➔ [With Encryption On, Cannot Communicate with Printer After Changing Encryption Type at Wireless Router](#)



Cannot Communicate with Printer After Enabling MAC/IP Address Filtering or Encryption Key on Wireless Router



Check1 Check wireless router setting.

To check the wireless router setting, see the instruction manual provided with the wireless router or contact its manufacturer. Make sure the computer and the wireless router can communicate with each other under this setting.

Check2 If filtering MAC addresses or IP addresses at wireless router, check that MAC addresses or IP addresses for computer, network device, and printer are registered.

Check3 If using WPA/WPA2 key or a password, make sure encryption key for computer, network device, and printer matches key set for wireless router.

The length or format of the Wi-Fi password and authentication method must be identical among the wireless router, the printer, and your computer.

For details, see [Setting an Encryption Key](#).

Q With Encryption On, Cannot Communicate with Printer After Changing Encryption Type at Wireless Router

A

If you change the encryption type for the printer and it subsequently cannot communicate with the computer, make sure the encryption type for the computer and the wireless router matches the type set for the printer.

- ➔ [Cannot Communicate with Printer After Enabling MAC/IP Address Filtering or Encryption Key on Wireless Router](#)

Other Network Problems

- ▶ **Checking Network Information**
- ▶ **Restoring to Factory Defaults**

Checking Network Information

- ➔ [Checking Printer IP Address or MAC Address](#)
- ➔ [Checking Computer IP Address or MAC Address](#)
- ➔ [Checking Communication Between the Computer, the Printer, and the Wireless Router](#)
- ➔ [Checking Network Setting Information](#)

Checking Printer IP Address or MAC Address

To check the printer's IP Address or MAC address, print out the network settings information.

- ➔ [Printing Network Settings](#)

For Windows, you can check the network setting information on the computer screen.

- ➔ Canon IJ Network Device Setup Utility Screen

Checking Computer IP Address or MAC Address

To check the IP Address or MAC address of your computer, follow the instructions below.

- **For Windows:**

1. Select **Command Prompt** as shown below.

In Windows 10, right-click **Start** and select **Command Prompt**.

In Windows 8.1, select **Command Prompt** from the **Start** screen. If **Command Prompt** is not displayed on the **Start** screen, select the **Search** charm and search for "**Command Prompt**".

In Windows 7, click **Start** > **All Programs** > **Accessories** > **Command Prompt**.

2. Enter "ipconfig/all" and press **Enter**.

The IP address and MAC address of your computer appear. If your computer is not connected to a network, the IP address does not appear.

- **For macOS:**

1. Select **System Preferences** from Apple menu, and then click **Network**.
2. Make sure network interface used by computer is selected, and then click **Advanced**.

When you are using Wi-Fi on your computer, make sure **Wi-Fi** is selected as network interface.

When you are using wired LAN, make sure **Ethernet** is selected.

3. Click **TCP/IP** to check the IP address, or click **Hardware** to check the MAC address.

Checking Communication Between the Computer, the Printer, and the Wireless Router

Perform a ping test to check if communication is taking place.

- **For Windows:**

1. Select **Command Prompt** as shown below.

In Windows 10, right-click **Start** and select **Command Prompt**.

In Windows 8.1, select **Command Prompt** from the **Start** screen. If **Command Prompt** is not displayed on the **Start** screen, select the **Search** charm and search for "**Command Prompt**".

In Windows 7, click **Start > All Programs > Accessories > Command Prompt**.

2. Type the ping command and press **Enter**.

The ping command is as follows: ping XXX.XXX.XXX.XXX

"XXX.XXX.XXX.XXX" is the IP address of the target device.

If communication is taking place, a message like the one shown below appears.

Reply from XXX.XXX.XXX.XXX: bytes=32 time=10ms TTL=255

If **Request timed out** appears, communication is not taking place.

- **For macOS:**

1. Start **Network Utility** as shown below.

Select **Computer** from **Go** menu of Finder, double-click **Macintosh HD > System > Library > CoreServices > Applications > Network Utility**.

2. Click **Ping**.

3. Make sure **Send only XX pings** (XX are numbers) is selected.

4. Enter IP address of target printer or target wireless router in **Enter the network address to ping**.

5. Click **Ping**.

"XXX.XXX.XXX.XXX" is the IP address of the target device.

A message such as the following appears.

64 bytes from XXX.XXX.XXX.XXX: icmp_seq=0 ttl=64 time=3.394 ms

64 bytes from XXX.XXX.XXX.XXX: icmp_seq=1 ttl=64 time=1.786 ms

64 bytes from XXX.XXX.XXX.XXX: icmp_seq=2 ttl=64 time=1.739 ms

--- XXX.XXX.XXX.XXX ping statistics ---

3 packets transmitted, 3 packets received, 0% packet loss

If "100% packet loss" appears, communication is not taking place. Otherwise, computer is communicating with target device.

Checking Network Setting Information

To check the printer's network settings information, print out the network settings information.

➔ [Printing Network Settings](#)



Restoring to Factory Defaults



»» Important

- Initialization erases all network settings on the printer, making printing/scanning/faxing operation from a computer over a network impossible. To use the printer over a network again after restoring it to the factory defaults, click here and redo setup.

Initialize the network setting using the printer's operation panel.

➔ [Reset setting](#)

Problems while Printing/Scanning from Smartphone/Tablet

- ▶ **Cannot Print/Scan from Smartphone/Tablet**

Cannot Print/Scan from Smartphone/Tablet

If you cannot print/scan from your smartphone/tablet, it is possible that your smartphone/tablet cannot communicate with the printer.

Check the cause of your problem according to the connection method.

- ➔ [Cannot Communicate with Printer over Wireless LAN](#)
- ➔ [Cannot Communicate with Printer while It Is in Wireless Direct](#)

▶▶▶ Note

- For problems on printing with other connection methods or more on performing settings of each connection method:
 - ➔ Using PIXMA/MAXIFY Cloud Link
 - ➔ Printing with Google Cloud Print
 - ➔ Printing from iOS Device (AirPrint)



Cannot Communicate with Printer over Wireless LAN



If your smartphone/tablet cannot communicate with the printer, check the following.

Check1 Check the power status of printer, network devices (e.g. wireless router), and smartphone/tablet.

- Turn on the printer or devices.
- If the power is already turned on, cycle the power switch.
- It may be necessary to resolve wireless router problems (e.g. update interval of a key, problems of DHCP update interval, energy saving mode, etc.) or to update the wireless router firmware.


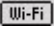
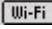
For details, contact the manufacturer of your wireless router.

Check2 Check the settings of your device (smartphone/tablet).

Make sure Wi-Fi is enabled on your device.

For details, refer to your device's instruction manual.

Check3 Is the printer connected to the wireless router?

Use the  icon on the LCD to check the connection status between the printer and wireless router.  icon is displayed, when any mode button is pressed. If the  icon is not displayed, Wi-Fi is disabled. Turn on wireless communication on the printer.

Check4 Are network settings of printer identical with those of wireless router?

Make sure the network settings of the printer (e.g. network name (SSID) or network key (password), etc.) are identical with those of the wireless router.

To check the settings of the wireless router, refer to the instruction manual provided with it or contact its manufacturer.

To check the current network settings of the printer, print out the network setting information.

➡ [Printing Network Settings](#)

▶▶▶ Note

- IJ Network Device Setup Utility allows you to diagnose and repair the network status.

Select the link below to download IJ Network Device Setup Utility and install it.

➡ [Checking Printer Connection Status Using IJ Network Device Setup Utility](#)

See below for starting up IJ Network Device Setup Utility.

– **For Windows:**

➡ [Starting Up IJ Network Device Setup Utility](#)

– **For macOS:**

➡ [Starting Up IJ Network Device Setup Utility](#)

Check5 Are network settings of your smartphone/tablet identical with those of wireless router?

Make sure the network settings of the printer (e.g. network name (SSID) or network key (password), etc.) are identical with those of the wireless router.

To check the settings of your smartphone/tablet, refer to the instruction manual provided with it.

If the network settings of your smartphone/tablet are not identical with those of the wireless router, change the network settings of it to match with those of the wireless router.

Check6 Make sure the printer is not placed too far away from the wireless router.

If the distance between the printer and wireless router is too far, wireless communication becomes poor. Place the printer and wireless router close to each other.

▶▶▶ Note

- Though an antenna is attached to most wireless routers, note that some of them have it inside.

Check7 Make sure wireless signal is strong. Monitor signal status and move printer and wireless router as necessary.

Place the printer and wireless router where there are no obstacles between them. Wireless communication between different rooms or floors is generally poor. Wireless communication can be impeded by building materials containing metal or concrete. If the printer cannot communicate with the computer over a Wi-Fi due to a wall, place the printer and the computer in the same room.

In addition, if a device like a microwave oven that emits radio waves of the same frequency bandwidth as a wireless router is nearby, it may cause interference. Place the wireless router as far away from interference sources as possible.

Check the signal strength on the LCD.

➡ [LCD and Operation Panel](#)

▶▶▶ Note

- IJ Network Device Setup Utility allows you to diagnose and repair the network status.

Select the link below to download IJ Network Device Setup Utility and install it.

- ➔ [Checking Printer Connection Status Using IJ Network Device Setup Utility](#)

See below for starting up IJ Network Device Setup Utility.

– **For Windows:**

- ➔ [Starting Up IJ Network Device Setup Utility](#)

– **For macOS:**

- ➔ [Starting Up IJ Network Device Setup Utility](#)

Q Cannot Communicate with Printer while It Is in Wireless Direct

A

If your smartphone/tablet cannot communicate with the printer in the Wireless Direct, check the following.

Check1 Check the power status of printer and other devices (smartphone or tablet).

Turn on the printer or devices.

If the power is already turned on, cycle the power switch.

Check2 Is Wireless Direct enabled?

From the **Setup menu** screen, select **Device settings** > **LAN settings** > **Wireless Direct** > **Switch WL Direct** in this order and select **Yes**.

Check3 Check the settings of your device (smartphone/tablet).

Make sure Wi-Fi is enabled on your device.

For details, refer to your device's instruction manual.

Check4 Make sure printer is selected as connection for device (e.g. smartphone or tablet).

Select the network name (SSID) for Wireless Direct specified for the printer as the connection destination for devices.

Check the destination on your device.

For details, refer to your device's instruction manual or visit the manufacturer's website.

To check the network name (SSID) for Wireless Direct specified for the printer, display it using the operation panel of the printer or print out the network setting information of the printer.

- Display on the LCD.

- ➔ [LAN settings](#)

- Print the network settings.

➡ [Printing Network Settings](#)

Check5 Have you entered the proper password specified for the Wireless Direct?

To check the password specified for the printer, display it using the operation panel of the printer or print out the network setting information of the printer.

- Display on the LCD.

➡ [LAN settings](#)

- Print the network settings.

➡ [Printing Network Settings](#)

Check6 Make sure the printer is not placed too far away from the device.

If the distance between the printer and device is too far, wireless communication becomes poor. Place the printer and device close to each other.

Check7 Make sure 5 devices are already connected.

Wireless Direct does not allow more than 5 devices to be connected.

Printing Problems

- **Printer Does Not Print**
- **Ink Does Not Come Out**
- **Ink Runs Out Fast**
- **Printer Does Not Pick up or Feed the Paper/"No Paper" Error**
- **Printout Results Are Unsatisfactory**



Printer Does Not Print



Check1 Make sure printer is turned on.

If not, make sure the printer is securely plugged in and press **ON** button to turn on.

The **ON** lamp flashes while the printer is initializing. Wait until the **ON** lamp stops flashing and remains lit.

▶▶▶ Note

- If you are printing large data such as photos or other graphics, printing may take longer to start. The **ON** lamp flashes while the computer is processing data and sending it to the printer. Wait until printing starts.

Check2 Make sure printer is properly connected to computer.

If you are using a USB cable, make sure it is securely connected to both the printer and the computer. When the USB cable is securely plugged in, check the following:

- If you are using a relay device such as a USB hub, disconnect it, connect the printer directly to the computer, and retry the printing. If printing starts normally, there is a problem with the relay device. Contact the vendor of the relay device.
- There could also be a problem with the USB cable. Replace the USB cable and retry the printing.

If you use the printer over a LAN, make sure the printer is correctly set up for network use.

- ➔ [Cannot Find Printer while Using Wi-Fi](#)
- ➔ Cannot Find Printer while Using Wired LAN

▶▶▶ Note

- Using IJ Network Device Setup Utility allows you to diagnose or repair network connection.

Select the link below to download IJ Network Device Setup Utility and install it.

- ➔ [Checking Printer Connection Status Using IJ Network Device Setup Utility](#)

See below for starting up IJ Network Device Setup Utility.

— For Windows:

- ➔ [Starting Up IJ Network Device Setup Utility](#)

— For macOS:

- ➔ [Starting Up IJ Network Device Setup Utility](#)

Check3 Make sure that the cassette is correctly inserted.

If there is an object under the printer, the cassette cannot be correctly inserted and paper may not be correctly fed.

Make sure there are no objects under the printer and push the cassette flatly into the printer until it stops.

➔ [Loading Paper in the Cassette](#)

Check4 When using rear tray, make sure feed slot cover is closed.

When the feed slot cover is open, paper will not be fed.

Be sure to close the feed slot cover.

➔ [Loading Paper in the Rear Tray](#)

Check5 Make sure paper settings match information set for rear tray or cassette.

If the paper settings do not match the information set for the rear tray or the cassette, an error message appears on the LCD. Follow the instructions on the LCD to solve the problem.

▶▶▶ **Note**

- You can select whether the message which prevents misprinting is displayed.
 - To change the message view setting when printing using the printer's operation panel:
 - ➔ [Feed settings](#)
 - To change the message view setting when printing using the printer driver:
 - ➔ Changing the Printer Operation Mode (Windows)
 - ➔ [Changing the Printer Operation Mode](#) (macOS)

Check6 If printing from a computer, delete unnecessary print jobs.

• **For Windows:**

- ➔ Deleting the Undesired Print Job

• **For macOS:**

- ➔ [Deleting the Undesired Print Job](#)

Check7 Is your printer's printer driver selected when printing?

The printer will not print properly if you are using a printer driver for a different printer.

• **For Windows:**

Make sure "Canon XXX series" (where "XXX" is your printer's name) is selected in the Print dialog box.

▶▶▶ **Note**

- If multiple printers are registered to your computer, set your printer as default printer to make the one selected by default.

• **For macOS:**

Make sure your printer's name is selected in **Printer** in the Print dialog.

▶▶▶ **Note**

- If multiple printers are registered to your computer, select **Set as Default Printer** from **System Preferences > Printers & Scanners** for a printer to make the one selected by default.

Check8 Are you trying to print a large data file? (Windows)

If you are trying to print a large data file, it takes a long time to start printing.

If the printer does not start printing after a certain period of time, select **On** for **Prevention of Print Data Loss** on the **Print Options** dialog box.

For details, refer to Page Setup Tab Description.

»» Important

- Selecting **On** for **Prevention of Print Data Loss** may reduce print quality.
- After printing is completed, select **Off** for **Prevention of Print Data Loss**.

Check9 If printing from your computer, restart the computer.

Restart the computer and try printing again.



Ink Does Not Come Out



Although some air may enter the ink tube, it is not a malfunction. No problem if the nozzle check pattern is printed correctly.

Check1 Make sure joint button is not lifted up.

Push the print head locking cover to make sure the print head is installed properly.

Next, push the joint buttons firmly to the end.

➔ Check Installation of Print Head

▶▶▶ Important

- Remove the orange label and the protective tape of the print head to install it.

Check2 Check the remaining ink level.

➔ [Checking Ink Level](#)

Check3 Are the print head nozzles clogged?

Print the nozzle check pattern and make sure that the ink is coming out normally.

For details on printing the nozzle check pattern, print head cleaning, and print head deep cleaning, see [If Printing Is Faint or Uneven](#).

Step1 Print the nozzle check pattern.

After printing the nozzle check pattern, examine the pattern.

- From the printer
 - ➔ [Printing the Nozzle Check Pattern](#)
- From the computer
 - **For Windows:**
 - ➔ Printing a Nozzle Check Pattern
 - **For macOS:**
 - ➔ Printing a Nozzle Check Pattern

If the pattern is not printed correctly, go to the next step.

Step2 Clean the print head.

After cleaning the print head, print the nozzle check pattern and check the result.

- From the printer
 - ➔ [Cleaning the Print Head](#)
- From the computer
 - **For Windows:**
 - ➔ Clean the print head

- **For macOS:**

- ➔ [Clean the print head](#)

If it does not improve, clean the print head again.

If it still does not improve, go to the next step.

Step3 Clean the print head deeply.

After cleaning the print head deeply, print the nozzle check pattern and check the result.

- From the printer

- ➔ [Deep Print Head Cleaning](#)

- From the computer

- **For Windows:**

- ➔ Clean the print head deeply

- **For macOS:**

- ➔ [Clean the print head deeply](#)

If it does not improve, turn off the printer, wait for more than 24 hours, and go to the next step.

Step4 Clean the print head deeply again.

After cleaning the print head deeply again, print the nozzle check pattern and check the result.

If it still does not improve, go to the next step.

Step5 Perform ink flush.

After performing ink flush, print the nozzle check pattern and check the result.

Ink flush consumes a great amount of ink. Frequent ink flush can rapidly consume ink, so perform it only when necessary.

- ➔ [How to Perform Ink Flush](#)

If the nozzle check pattern is not printed correctly even after performing ink flush, check the installing condition of the print head.

- ➔ [Check Installation of Print Head](#)



Ink Runs Out Fast



After you refill the ink tank, the printer takes in ink from the ink tank and ink flows into the printer.

Ink may seem to run out fast due to this procedure.



Printer Does Not Pick up or Feed the Paper/"No Paper" Error



Check1 Make sure paper is loaded.

➔ [Loading Paper](#)

Check2 When loading paper, consider the following.

- When loading two or more sheets of paper, align the edges of the sheets before loading the paper.
- When loading two or more sheets of paper, make sure the paper stack does not exceed the paper load limit.

However, paper may not feed correctly at the maximum capacity, depending on the type of paper or environmental conditions (very high or low temperature and humidity). In such cases, reduce the amount of paper you load at a time to less than half of the paper load limit.

- Always load the paper in portrait orientation, regardless of the printing orientation.
- When you load the paper on the rear tray, place the print side facing UP and align the right and left paper guides with the paper stack.

➔ [Loading Paper](#)

- In the cassette, be sure to load only plain paper.
- When you load the paper on the cassette, place the print side facing DOWN and align the right/left/front paper guides with the paper stack.

➔ [Loading Paper](#)

Check3 Is paper too thick or curled?

➔ [Unsupported Media Types](#)

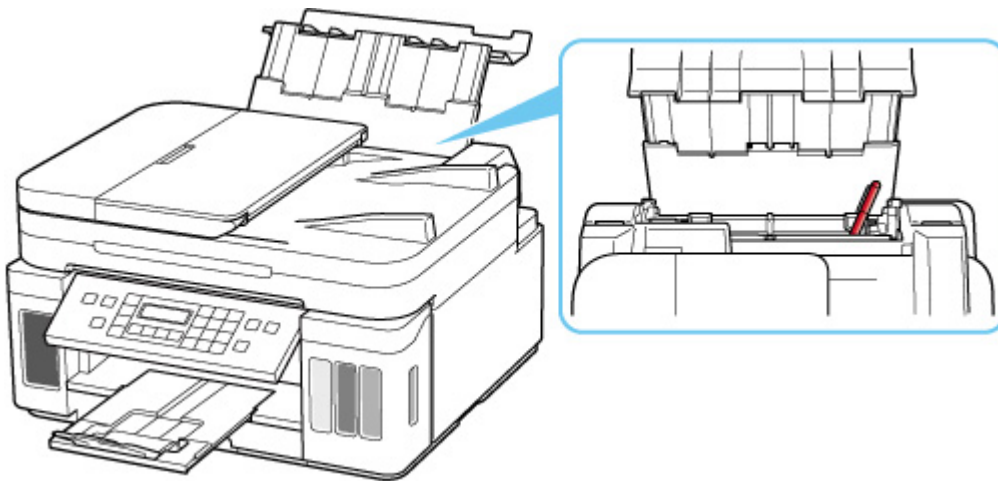
Check4 When loading envelopes, consider the following.

When printing on envelopes, see [Loading Envelopes in Rear Tray](#), and prepare the envelopes before printing.

Once you have prepared the envelopes, load them in portrait orientation. If the envelopes are placed in landscape orientation, they will not feed properly.

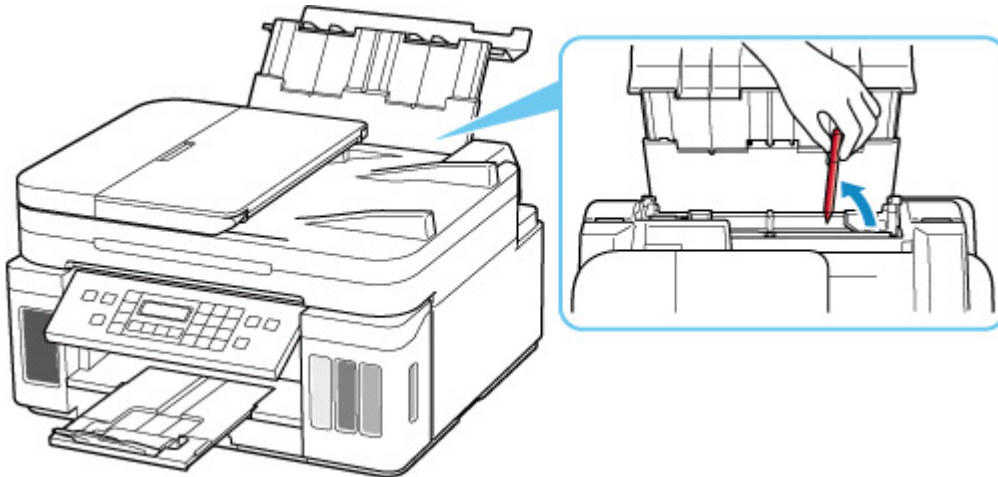
Check5 Make sure media type and paper size settings match with loaded paper.

Check6 Make sure that there are not any foreign objects in the rear tray.



If the paper tears in the rear tray, see [List of Support Code for Error \(Paper Jams\)](#) to remove it.

If there are any foreign objects in the rear tray, be sure to turn off the printer, unplug it from the power supply, then remove the foreign object.



▶▶▶ Important

- Do not tilt the printer or do not it upside down. Doing so may cause the ink to leak.

▶▶▶ Note

- If the feed slot cover is opened, close it slowly.

Check7 Clean paper feed roller.

➔ [Cleaning Paper Feed Rollers](#)

▶▶▶ Note

- Cleaning the paper feed roller abrades it, so do this only when necessary.

Check8 If two or more sheets of paper feed from cassette at once, clean inside of cassette.

➔ [Cleaning Cassette Pads](#)

Check9 Are transport unit cover and rear cover attached properly?

See [Rear View](#) for the positions of the transport unit cover and the rear cover.

If the measures above do not solve the problem, contact your nearest Canon service center to request a repair.

▶▶▶ Important

- Do not tilt the printer when moving it since the ink may leak out.
- When transporting the printer for repairing it, see [Repairing Your Printer](#).



Printout Results Are Unsatisfactory



If the print results are unsatisfactory due to white streaks, misaligned/distorted lines, or uneven colors, check the paper and print quality settings first.

Check1 Do page size and media type settings match size and type of loaded paper?

If these settings do not match, it is not possible to obtain the proper result.

If you are printing a photograph or an illustration, an incorrect paper type setting may reduce the quality of the printout color.

Also, if you print with an incorrect paper type setting, the printed surface may be scratched.

In borderless printing, uneven coloring may occur depending on the combination of the paper type setting and the loaded paper.

The method for checking the paper and print quality settings differs depending on what you are using your printer for.

- **Copying:**

Check the settings using the operation panel.

- **Printing from your computer:**

Check the settings using the printer driver.

- ➔ Basic Printing Setup

- **Printing from a PictBridge (Wi-Fi) compliant device:**

Check the settings on your PictBridge (Wi-Fi) compliant device or using the operation panel.

- ➔ PictBridge (Wi-Fi) Print Settings
- ➔ PictBridge settings

- **Printing from your smartphone/tablet using Canon PRINT Inkjet/SELPHY:**

Check the settings on Canon PRINT Inkjet/SELPHY.

- ➔ Print Photos from Your Smartphone

Check2 Make sure appropriate print quality is selected (see list above).

Select a print quality suited to the paper and to what you are printing. If you notice blurs or uneven colors, increase the print quality setting and retry the printing.

▶▶▶ Note

- When printing from a PictBridge (Wi-Fi) compliant device, set the print quality setting using the operation panel.

This setting cannot be made on the PictBridge (Wi-Fi) compliant device.

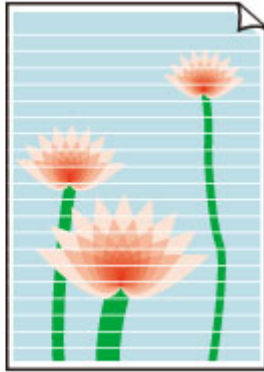
Check3 If problem is not resolved, check also the sections below.

See also the sections below:

- ➔ [Printouts Are Blank/Blurry or Fuzzy/Inaccurate or Bleeding Colors/Streaks or Lines](#)
- ➔ [Colors Are Unclear](#)
- ➔ [Lines Are Misaligned/Distorted](#)
- ➔ [Paper Is Smudged / Printed Surface Is Scratched](#)
- ➔ [Vertical Line Next to Image](#)
- ➔ Cannot Complete Printing
- ➔ Part of Page Is Not Printed (Windows)
- ➔ Lines Incomplete or Missing (Windows)
- ➔ Images Incomplete or Missing (Windows)
- ➔ Ink Blots / Paper Curl
- ➔ Back of Paper Is Smudged
- ➔ Uneven or Streaked Colors



Printouts Are Blank/Blurry or Fuzzy/Inaccurate or Bleeding Colors/ Streaks or Lines



Although some air may enter the ink tube, it is not a malfunction. No problem if the nozzle check pattern is printed correctly.

Check1 Make sure joint button is not lifted up.

Push the print head locking cover to make sure the print heads are installed properly.

Next, push the joint buttons firmly to the end.

➔ Check Installation of Print Head

▶▶▶ Important

- Remove the orange label and the protective tape of the print head to install it.

Check2 Check paper and print quality settings.

➔ [Printout Results Are Unsatisfactory](#)

Check3 Are the print head nozzles clogged?

Print the nozzle check pattern and make sure that the ink is coming out normally.

For details on printing the nozzle check pattern, print head cleaning, and print head deep cleaning, see [If Printing Is Faint or Uneven](#).

Step1 Print the nozzle check pattern.

After printing the nozzle check pattern, examine the pattern.

- From the printer
 - ➔ [Printing the Nozzle Check Pattern](#)
- From the computer
 - **For Windows:**
 - ➔ [Printing a Nozzle Check Pattern](#)

- **For macOS:**

- ➡ Printing a Nozzle Check Pattern

If the pattern is not printed correctly, go to the next step.

Step2 Clean the print head.

After cleaning the print head, print the nozzle check pattern and check the result.

- From the printer
 - ➡ [Cleaning the Print Head](#)
- From the computer
 - **For Windows:**
 - ➡ Clean the print head
 - **For macOS:**
 - ➡ [Clean the print head](#)

If it does not improve, clean the print head again.

If it still does not improve, go to the next step.

Step3 Clean the print head deeply.

After cleaning the print head deeply, print the nozzle check pattern and check the result.

- From the printer
 - ➡ [Deep Print Head Cleaning](#)
- From the computer
 - **For Windows:**
 - ➡ Clean the print head deeply
 - **For macOS:**
 - ➡ [Clean the print head deeply](#)

If it does not improve, turn off the printer, wait for more than 24 hours, and go to the next step.

Step4 Clean the print head deeply again.

After cleaning the print head deeply again, print the nozzle check pattern and check the result.

If it still does not improve, go to the next step.

Step5 Perform ink flush.

After performing ink flush, print the nozzle check pattern and check the result.

Ink flush consumes a great amount of ink. Frequent ink flush can rapidly consume ink, so perform it only when necessary.

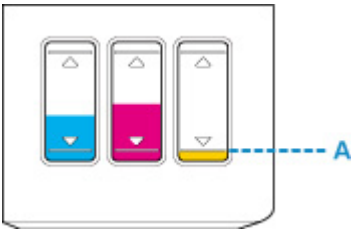
- ➡ [How to Perform Ink Flush](#)

If the nozzle check pattern is not printed correctly even after performing ink flush, check the installing condition of the print head.

- ➡ [Check Installation of Print Head](#)

Check4 When an ink tank runs out of ink, refill the ink tank.

If the remaining ink level is below the lower limit line (A), refill the ink tank with the corresponding color of ink.



If you use the printer until the ink tank becomes empty, perform ink flush after refilling the ink tank.

- ➔ [Refilling Ink Tanks](#)
- ➔ [How to Perform Ink Flush](#)

Check5 When using paper with one printable surface, check the correct printable side of the paper.

Printing on the wrong side of such paper may cause unclear prints or prints with reduced quality.

When you load paper on the rear tray, load paper with the printable side facing up. When you load paper in the cassette, load paper with the printable side facing down.

Refer to the instruction manual supplied with the paper for detailed information on the printable side.

- **When copying, see also the sections below:**

Check6 Is platen glass or glass of ADF dirty?

Clean the platen glass or the glass of ADF.

- ➔ [Cleaning Platen and Document Cover](#)
- ➔ [Cleaning the ADF \(Auto Document Feeder\)](#)

▶▶▶ Note

- If the glass of ADF is dirty, black streaks appear on the paper as shown below.



Check7 Make sure original is properly loaded on platen or ADF.

When you load the original on the platen, load it with the side to be copied facing down.

When you load the original on the ADF, load it with the side to be copied facing up.

- ➔ [Loading Originals](#)

Check8 Is copy source a printed paper by printer?

If you use a printout done by this printer as the original, print quality may be reduced depending on the condition of the original.

Reprint from the computer if you can reprint from it.



Colors Are Unclear



Although some air may enter the ink tube, it is not a malfunction. No problem if the nozzle check pattern is printed correctly.

Check1 Make sure joint button is not lifted up.

Push the print head locking cover to make sure the print heads are installed properly.

Next, push the joint buttons firmly to the end.

➔ Check Installation of Print Head

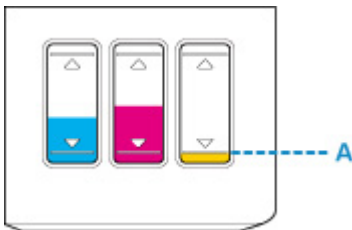
▶▶▶ Important

- Remove the orange label and the protective tape of the print head to install it.

Check2 Check the remaining ink level.

When an ink tank runs out of ink, refill the ink tank.

If the remaining ink level is below the lower limit line (A), refill the ink tank with the corresponding color of ink.



▶▶▶ Note

- Printed colors may not match screen colors due to basic differences in the methods used to produce colors. Color control settings and environmental differences can also affect how colors appear on the screen. Therefore, colors of printing results may be different from those on the screen.

Check3 Are the print head nozzles clogged?

Print the nozzle check pattern and make sure that the ink is coming out normally.

For details on printing the nozzle check pattern, print head cleaning, and print head deep cleaning, see [If Printing Is Faint or Uneven](#).

Step1 Print the nozzle check pattern.

After printing the nozzle check pattern, examine the pattern.

- From the printer
 - ➔ [Printing the Nozzle Check Pattern](#)
- From the computer

- **For Windows:**
 - ➡ Printing a Nozzle Check Pattern
- **For macOS:**
 - ➡ Printing a Nozzle Check Pattern

If the pattern is not printed correctly, go to the next step.

Step2 Clean the print head.

After cleaning the print head, print the nozzle check pattern and check the result.

- From the printer
 - ➡ [Cleaning the Print Head](#)
- From the computer
 - **For Windows:**
 - ➡ Clean the print head
 - **For macOS:**
 - ➡ [Clean the print head](#)

If it does not improve, clean the print head again.

If it still does not improve, go to the next step.

Step3 Clean the print head deeply.

After cleaning the print head deeply, print the nozzle check pattern and check the result.

- From the printer
 - ➡ [Deep Print Head Cleaning](#)
- From the computer
 - **For Windows:**
 - ➡ Clean the print head deeply
 - **For macOS:**
 - ➡ [Clean the print head deeply](#)

If it does not improve, turn off the printer, wait for more than 24 hours, and go to the next step.

Step4 Clean the print head deeply again.

After cleaning the print head deeply again, print the nozzle check pattern and check the result.

If it still does not improve, go to the next step.

Step5 Perform ink flush.

After performing ink flush, print the nozzle check pattern and check the result.

Ink flush consumes a great amount of ink. Frequent ink flush can rapidly consume ink, so perform it only when necessary.

- ➡ How to Perform Ink Flush

If the nozzle check pattern is not printed correctly even after performing ink flush, check the installing condition of the print head.

- ➡ Check Installation of Print Head



Lines Are Misaligned/Distorted



Check1 Check paper and print quality settings.

➔ [Printout Results Are Unsatisfactory](#)

Check2 Perform print head alignment.

If printed lines are misaligned/distorted or print results are otherwise unsatisfactory, adjust the print head position.

➔ [Aligning the Print Head](#)

▶▶▶ Note

- For Windows, if the problem is not resolved after performing the print head alignment, perform print head alignment manually from your computer.

➔ [Adjusting Print Head Position Manually](#)

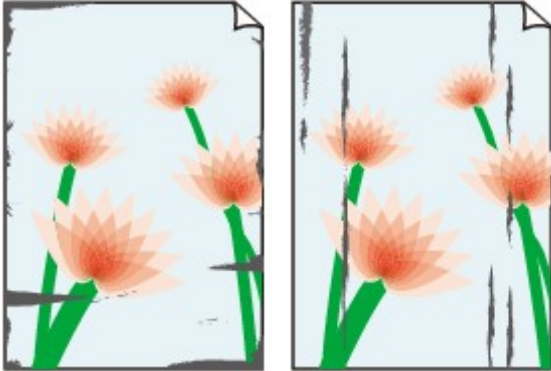
Check3 Increase print quality and try printing again.

Increasing the print quality using the operation panel or the printer driver may improve the print result.



Paper Is Smudged / Printed Surface Is Scratched

Paper Is Smudged



Smudged Edges

Smudged Surface



Printed Surface Is Scratched



Check1 Check paper and print quality settings.

➔ [Printout Results Are Unsatisfactory](#)

Check2 Check paper type.

Make sure you are using the right paper for what you are printing.

➔ [Supported Media Types](#)

Check3 Correct curl before loading paper.

When using Photo Paper Plus Semi-gloss, even if the sheet is curled, load one sheet at a time as it is. Rolling this paper in the opposite direction to flatten it may crack the paper surface and reduce the print quality.

We recommend putting unused paper back into the package and storing it flat.

- **Plain Paper**

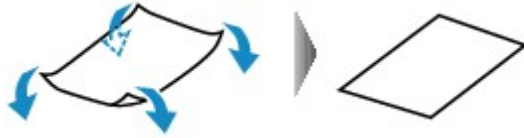
Turn the paper over and reload it to print on the other side.

- **Other Paper such as envelope**

If the paper corners curl more than 0.1 in. / 3 mm (A) in height, the paper may smudge or may not feed properly. Follow the instructions below to correct the paper curl.



1. Roll up paper in opposite direction to paper curl as shown below.

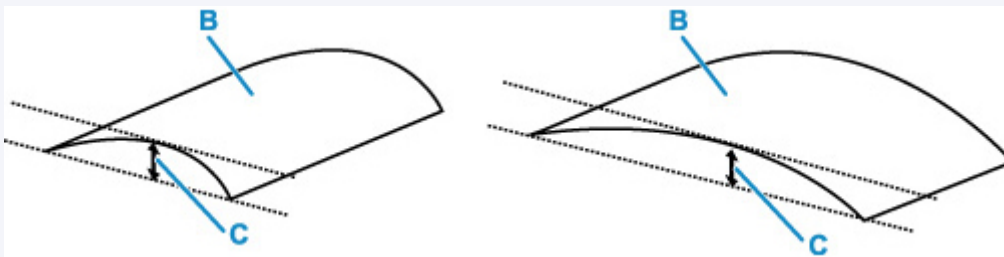


2. Check that paper is now flat.

We recommend printing curl-corrected paper one sheet at a time.

▶▶▶ Note

- Depending on paper type, the paper may smudge or may not feed properly even if it is not curled inward. Follow the instructions below to curl the paper outward up to 0.1 in. / 3 mm (C) in height before printing. This may improve the print result.



(B) Print side

We recommend feeding paper that has been curled outward one sheet at a time.

Check4 Set printer to prevent paper abrasion.

Adjusting the setting to prevent paper abrasion will widen the clearance between the print head and the paper. If you notice abrasion even with the media type set correctly to match the paper, set the printer to prevent paper abrasion using the operation panel or the computer.

This may reduce the print speed.

* Once you have finished printing, undo this setting. Otherwise, it will apply to subsequent print jobs.

• From operation panel:

Press the **Setup** button and select **Device settings** > **Print settings** in this order, and then set **Prevent abrasion** to **ON**.

➡ [Changing Settings from Operation Panel](#)

• From computer (Windows):

1. Check that printer is turned on.

2. Open Canon IJ Printer Assistant Tool.
 - ➔ Opening the Maintenance Tool (Canon IJ Printer Assistant Tool)
3. Select **Custom Settings**.
4. Select **Prevents paper abrasion** check box and select **OK**.
5. Check message and select **OK**.

- **From computer (macOS):**

Adjust the setting to prevent paper abrasion from Remote UI.

- ➔ [Opening Remote UI for Maintenance](#)

Check5 If intensity is set high, reduce intensity setting and try printing again.

If you are printing with a high intensity setting on plain paper, the paper may absorb too much ink and become wavy, causing paper abrasion.

- ➔ Adjusting Intensity

Check6 Is platen glass or glass of ADF dirty?

Clean the platen glass or the glass of ADF.

- ➔ Cleaning Platen and Document Cover
- ➔ Cleaning the ADF (Auto Document Feeder)

▶▶▶ Note

- If the glass of ADF is dirty, black streaks appear on the paper as shown below.



Check7 Is paper feed roller dirty?

Clean paper feed roller.

- ➔ [Cleaning Paper Feed Rollers](#)

▶▶▶ Note

- Cleaning the paper feed roller abrades it, so do this only when necessary.

Check8 Is inside of printer dirty?

During duplex printing, ink may stain the inside of the printer, smudging the printout.

Perform bottom plate cleaning to clean inside of printer.

➔ [Cleaning Inside the Printer \(Bottom Plate Cleaning\)](#)

▶▶▶ Note

- To prevent staining inside the printer, be sure to set the correct paper size.

Check9 Set longer ink drying time.

This allows the printed surface to dry, preventing smudges and scratches.

• For Windows:

1. Check that printer is turned on.
2. Open Canon IJ Printer Assistant Tool.
 - ➔ Opening the Maintenance Tool (Canon IJ Printer Assistant Tool)
3. Select **Custom Settings**.
4. Drag **Ink Drying Wait Time** slide bar to set the wait time and select **OK**.
5. Check message and select **OK**.

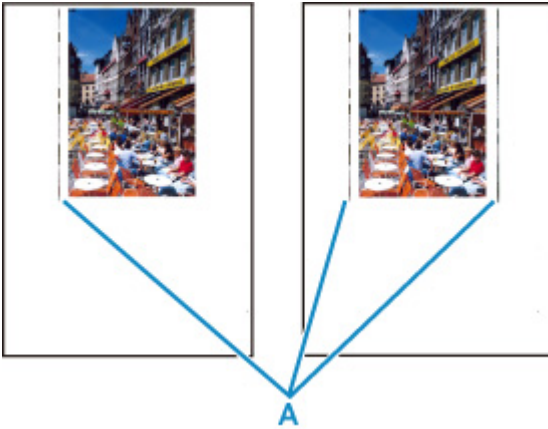
• For macOS:

Set the waiting time using Remote UI.

- ➔ [Opening Remote UI for Maintenance](#)



Vertical Line Next to Image



Check Is loaded paper size correct?

If the loaded paper is larger than the size you specified, vertical lines (A) may appear in the left margin or the both margin.

Set the paper size to match the loaded paper.

➔ [Printout Results Are Unsatisfactory](#)

▶▶▶ Note

- The direction or pattern of the vertical lines (A) may vary depending on the image data or the print setting.
- This printer performs automatic cleaning when necessary to keep printouts clean. A small amount of ink is ejected for cleaning.

Although the ink is normally ejected onto the ink absorber at the outer edge of the paper, it may get onto the paper if the loaded paper is larger than the set size.

Scanning Problems (macOS)

- ▶ Scanning Problems

Scanning Problems

- ▶ **Scanner Does Not Work**
- ▶ **Scanner Driver Does Not Start**



Scanner Does Not Work



Check 1 Check that your scanner or printer is turned on.

Check 2 With network connection, check the connection status and reconnect as needed.

Check 3 With USB connection, connect the USB cable to a different USB port on the computer.

Check 4 If the USB cable is connected to a USB hub, remove it from the USB hub and connect it to a USB port on the computer.

Check 5 Restart the computer.

Check 6 To scan from the printer's operation panel with USB connection, click **Scan-from-Operation-Panel Settings** in the **Settings (General Settings)** dialog, and then check that the following checkboxes are selected.

- Your scanner or printer
- **Enables scanning from the operation panel**



Scanner Driver Does Not Start



Check 1 Make sure the application software supports AirPrint.


Check 2 Select your scanner or printer on the application's menu.

▶▶▶ Note

- The operation may differ depending on the application.

Check 3 Scan and save images with IJ Scan Utility Lite and open the files in your application.

Check 4 Your scanner may be locked. (Personal scanners only)


If IJ Scan Utility Lite or the application is running, exit it. Slide the scanner lock switch to the release position (), then reconnect the USB cable.



Error Message Is Displayed



Check Your scanner may be locked.

If IJ Scan Utility Lite or the application is running, exit it. Slide the scanner lock switch to the release position (), then reconnect the USB cable.


Refer to the printed manual: Getting Started for how to unlock the scanner.



Scanning Does Not Start / Scanning Does Not Complete



Check Your scanner may be locked.

If IJ Scan Utility Lite or the application is running, exit it. Slide the scanner lock switch to the release position (), then reconnect the USB cable.


Refer to the printed manual: Getting Started for how to unlock the scanner.



Items Cannot Be Scanned Correctly



Check Your scanner may be locked.

If IJ Scan Utility Lite or the application is running, exit it. Slide the scanner lock switch to the release position (), then reconnect the USB cable.

Refer to the printed manual: Getting Started for how to unlock the scanner.

Faxing Problems

- ▶ **Problems Sending Faxes**
- ▶ **Problems Receiving Faxes**
- ▶ **Telephone Problems**
- ▶ **Poor Quality Fax Received**

Problems Sending Faxes

- ▶ **Cannot Send a Fax**
- ▶ **Errors Often Occur When Send a Fax**



Cannot Send a Fax



Check1 Is power turned on?

- You cannot send faxes if the power is turned off. Press the **ON** button to turn the power on.
- If you unplugged the power cord without turning off the power (the **ON** lamp is lit), reconnecting it turns on the power automatically.
- If you unplugged the power cord after pressing the **ON** button to turn off the power (the **ON** lamp is off), reconnect it, and then press the **ON** button to turn on the power.
- If the power was turned off due to power failure, etc., the power is automatically turned on when the power failure is resolved.

▶▶▶ Important

- Confirm that the **ON** lamp is off before unplugging the power cord, and then unplug the power cord.

If a power failure occurs or you unplug the power cord, all faxes stored in the printer's memory are deleted.

For details on how to unplug the power cord, see [Unplugging the Printer](#).

▶▶▶ Note

- If the faxes stored in the printer's memory are deleted by a power failure or unplugging the power cord, the list of the faxes deleted from the printer's memory (MEMORY CLEAR REPORT) will be printed after turning the printer on.

➔ [Summary of Reports and Lists](#)

Check2 Is document being sent from memory or the fax being received into memory?

When the message for the transmission/reception is displayed on the Fax standby screen, a fax is being sent from/received into printer's memory. Wait until the transmission/reception is complete.

Check3 Is printer's memory full?

Delete contents in memory, and then send a fax again.

➔ [Document Stored in Printer's Memory](#)

Check4 Is telephone line type set correctly?

Check the telephone line type setting and change it as necessary.

➔ [Setting Telephone Line Type](#)

Check5 Is **Hook setting** set to **Disable**?

When you send a fax manually, dial the number with **Enable** selected for **Hook setting** in **Security control** under **Fax settings**, or dial the number using the telephone connected to the printer.

➔ [Fax settings](#)

Check6 Is Dial tone detect set to ON?

Resend the fax after a while.

If you still cannot send the fax, select **OFF** for **Dial tone detect** in **Adv. fax settings** under **Fax settings**.

➔ [Fax settings](#)

Check7 Is fax/telephone number registered correctly in printer's directory?

Check the recipient's fax/telephone number, correct the fax/telephone number registered in the printer's directory, and then send the document again.

➔ [Changing Registered Information](#)

▶▶▶ Note

- You can check the registered information in the printer's directory by printing RECIPIENT TELEPHONE NUMBER LIST.
 - ➔ Summary of Reports and Lists

Check8 Does an error occur during transmission?

- Ensure that a message is displayed on the Fax standby screen. When a message is displayed on the Fax standby screen, check the cause.
 - ➔ A Message for Faxing Is Displayed on Fax Standby Screen
- Print ACTIVITY REPORT and check for an error.
 - ➔ Summary of Reports and Lists
- If a transmission error has occurred, see below.
 - ➔ [Errors Often Occur When Send a Fax](#)

Check9 Is document loaded properly?

Remove the document, and then reload it on the platen or in the ADF.

➔ [Loading Originals](#)

Check10 Does a printer error occur?

Ensure that an error message is displayed on the LCD. When an error message is displayed on the LCD, check the cause.

When the error message and support code are displayed, refer to [List of Support Code for Error](#).

When only the error message is displayed, refer to [Message \(Support Code\) Appears](#).

Press the **Stop** button and if the message is closed, you can send the fax.

Check11 Is telephone line connected correctly?

Reconnect the telephone line cable to the telephone line jack.

➔ [Connecting Telephone Line](#)

If the telephone line is connected correctly, there is a problem with your telephone line. Contact your telephone company and the manufacturer of your terminal adapter or telephone adapter.



Errors Often Occur When Send a Fax



Check Check telephone line condition or connection.

If errors occur frequently when using an Internet telephone, it is possible that they can be reduced by selecting **Reduce** for **Err reduction (VoIP)** on **Adv. fax settings** under **Fax settings**.

For details, see **Err reduction (VoIP)**.

➔ [Fax settings](#)

▶▶▶ Note

- If selecting **Reduce** does not reduce errors, select **Do not reduce**.

In addition, when using an Internet telephone, it is possible that errors occur more often if **4800 bps** or **9600 bps** is selected for **TX start speed**. Select **14400 bps** or **33600 bps**.

If the telephone line or connection is poor when using a general telephone, reducing the transmission start speed may correct the error.

Reduce the transmission start speed on **TX start speed** in **Adv. communication** in **Adv. fax settings** under **Fax settings**.

➔ [Fax settings](#)

Problems Receiving Faxes

- ▶ **Cannot Receive a Fax/Cannot Print a Fax/"Received in memory" Appears**



Cannot Receive a Fax/Cannot Print a Fax/"Received in memory" Appears



Check1 Is power turned on?

- You cannot receive faxes if the power is turned off. Press the **ON** button to turn the power on.
- If you unplugged the power cord without turning off the power (the **ON** lamp is lit), reconnecting it turns on the power automatically.
- If you unplugged the power cord after pressing the **ON** button to turn off the power (the **ON** lamp is off), reconnect it, and then press the **ON** button to turn on the power.
- If the power was turned off due to power failure, etc., the power is automatically turned on when the power failure is resolved.

▶▶▶ Important

- Confirm that the **ON** lamp is off before unplugging the power cord, and then unplug the power cord. If a power failure occurs or you unplug the power cord, all faxes stored in the printer's memory are deleted. For details on how to unplug the power cord, see [Unplugging the Printer](#).

▶▶▶ Note

- If the faxes stored in the printer's memory are deleted by a power failure or unplugging the power cord, the list of the faxes deleted from the printer's memory (MEMORY CLEAR REPORT) will be printed after turning the printer on.
 - ➔ Summary of Reports and Lists

Check2 Is the printer's memory full?

Print the received faxes stored in the printer's memory or save them on the memory card, and then delete them from the printer's memory and have the sender resend the faxes.

- ➔ [Document Stored in Printer's Memory](#)

Check3 Does an error occur during reception?

- Ensure that a message is displayed on the Fax standby screen. When a message is displayed on the Fax standby screen, check the cause.
 - ➔ A Message for Faxing Is Displayed on Fax Standby Screen
- Print **ACTIVITY REPORT** and check for an error.
 - ➔ Summary of Reports and Lists
- If a reception error has occurred, see below.
 - ➔ Errors Often Occur When Received a Fax

Check4 Is telephone line cable connected to external device jack?

Reconnect it to the telephone line jack.

➔ [Connecting Telephone Line](#)

Check5 Check the operation panel is open.

If the operation panel is closed, received faxes will be stored in the printer's memory without being printed (Memory Reception). Open the operation panel, and then press the **OK** button.

Check6 Is paper loaded?

If paper is not loaded, received faxes will be stored in the printer's memory without being printed (Memory Reception). Load paper, and then press the **OK** button.

Check7 Is a different size of paper from that specified by **Page size** in **Fax paper settings** loaded?

If a different size of paper from that specified by **Page size** is loaded for printing faxes, the received faxes will not be printed and will be stored in the printer's memory (Memory Reception). Load the same size of paper as that specified by **Page size**, then press the **OK** button.

Check8 Is printer set to appropriate receive mode?

Check the receive mode setting and change it to a mode suited to your connection if necessary.

➔ [Setting Receive Mode](#)

Check9 Is **Fax RX reject** set to **ON**?

Select **OFF** for **Fax RX reject** in **Security control** under **Fax settings**.

For details, refer to Rejecting Fax Reception.

Check10 Are there setting items set **Reject** in **Caller rejection**?

If you select **Reject** for any setting items in **Caller rejection** in **Security control** under **Fax settings**, the printer rejects calls for setting item selected **Reject**.

For details, refer to Using Caller ID Service to Reject Calls.

Telephone Problems

- **Cannot Dial**
- **Telephone Disconnects During a Call**



Cannot Dial



Check1 Is telephone line cable connected correctly?

Check that the telephone line cable is connected correctly.

➔ [Connecting Telephone Line](#)

Check2 Is telephone line type of printer or external device set correctly?

Check the telephone line type setting and change it as necessary.

➔ [Setting Telephone Line Type](#)



Telephone Disconnects During a Call



Check Is telephone line cable or telephone (or a peripheral device such as an external telephone, an answering device, or a computer modem) connected correctly?

Check that the telephone line cable and the telephone (or a peripheral device such as an external telephone, an answering device, or a computer modem) are connected correctly.

➔ [Connecting Telephone Line](#)



Poor Quality Fax Received



Check1 Check scan settings of sender's fax device.

Ask the sender to adjust the scan settings of the fax device.

Check2 Is **ECM RX** set to **OFF**?

Select **ON** for **ECM RX** in **Adv. communication** in **Adv. fax settings** under **Fax settings**.

If **ECM RX** is enabled, the sender's fax device resends the fax after correcting errors automatically.

➔ [Fax settings](#)

Check3 Is sender's original document or scanning area of sender's fax device dirty?

The image quality of the fax is mainly determined by the sender's fax device. Contact the sender and ask the sender to check whether the scanning area of the fax device is dirty.

Check4 Is ECM transmission/reception enabled although the line/connection is poor, or is the sender's fax device compatible with ECM?

- Select **ON** for **ECM RX** in **Adv. communication** in **Adv. fax settings** under **Fax settings**.

➔ [Fax settings](#)

- Contact the sender and ask the sender to check whether the fax device is set to enable ECM transmission.

If the sender's or recipient's fax device is not compatible with ECM, the fax will be sent/received without automatic error correction.

- Reduce the reception start speed on **RX start speed** in **Adv. communication** in **Adv. fax settings** under **Fax settings**.

➔ [Fax settings](#)

Check5 Did you confirm paper and print quality settings?

➔ [Printout Results Are Unsatisfactory](#)

Mechanical Problems

- **Printer Does Not Turn On**
- **Printer Turns Off Unexpectedly or Repeatedly**
- **USB Connection Problems**
- **Cannot Communicate with Printer via USB**
- **Wrong Language Appears in LCD**



Printer Does Not Turn On



Check1 Press **ON** button.

Check2 Make sure power plug is securely connected to printer, and then turn on again.

Check3 Unplug printer, leave it for at least 2 minutes, and then plug it back in and turn on again.

If this does not solve the problem, contact your nearest Canon service center to request a repair.

Important

- Do not tilt the printer when moving it since the ink may leak out.
- When transporting the printer for repairing it, see [Repairing Your Printer](#).



Printer Turns Off Unexpectedly or Repeatedly



Check If printer is set to turn off automatically after a certain time, disable this setting.

If you have set the printer to turn off automatically after a specified time, the power will shut off by itself once that time has elapsed.

- **To disable the setting from the operation panel:**

1. Check that printer is turned on.
2. Press the **Setup** button, use the ◀ ▶ button to select **ECO settings**, and press the **OK** button.
 - ➔ [LCD and Operation Panel](#)
3. Use the ◀ ▶ button to select **EnergySaveSettings** and then press the **OK** button.
4. Use the ◀ ▶ button to select **Auto power off** and then press the **OK** button.
5. Use the ◀ ▶ button to select **OFF** and then press the **OK** button.

The setting to shut off the power automatically is disabled.

- **To disable the setting from the computer:**

For Windows, use Canon IJ Printer Assistant Tool or ScanGear (scanner driver) to disable the setting.

Follow the procedure below to disable the setting using Canon IJ Printer Assistant Tool.

1. Open Canon IJ Printer Assistant Tool.
 - ➔ Opening the Maintenance Tool (Canon IJ Printer Assistant Tool)
2. Select **Auto Power**.
3. Select **Disable** for **Auto Power Off**.
4. Select **OK**.
5. Select **OK** on the displayed screen.

The setting to shut off the power automatically is disabled.

▶▶ Note

- See below for details on how to disable the setting from ScanGear (scanner driver).

➔ Scanner Tab



USB Connection Problems



Make sure of the checking item below when you find one of the followings.

- Printing/Scanning is slow.
- Hi-Speed USB connection does not work.
- A message such as "**This device can perform faster**" appears. (Windows)

▶▶▶ Note

- If your system environment does not support Hi-Speed USB, the printer operates at the slower speed of USB 1.1. In this case, the printer works properly but printing speed may slow down due to the communication speed.

Check

Check following to make sure your system environment supports Hi-Speed USB connection.

- Does the USB port on your computer support Hi-Speed USB connection?
- Does the USB cable or the USB hub support Hi-Speed USB connection?

Be sure to use a certified Hi-Speed USB cable. We recommend that the USB cable be no longer than 10 feet / 3 meters or so.

- Is the Hi-Speed USB driver working properly on your computer?

Make sure the latest Hi-Speed USB driver is working properly and obtain and install the latest version of the Hi-Speed USB driver for your computer, if necessary.

▶▶▶ Important

- For more information, contact the manufacturer of your computer, USB cable, or USB hub.



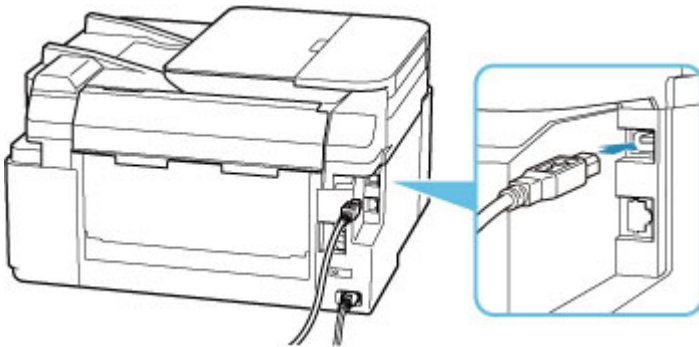
Cannot Communicate with Printer via USB



Check1 Make sure printer is turned on.

Check2 Connect USB cable properly.

As the illustration below, the USB port is at the back of the printer.



▶▶▶ Important

- Connect the "Type-B" terminal to the printer with the notched side facing UP. For details, refer to the instruction manual supplied with the USB cable.

Check3 Make sure **Enable bidirectional support** is selected in the **Ports** sheet of the **Printer properties** dialog box. (Windows)

If not, select it to enable bidirectional support.

- ➔ Opening Printer Driver's Setup Screen



Wrong Language Appears in LCD



Follow the instructions below to select your language.

1. Press **Setup** button and wait a little.
2. Press ► button 2 times and press **OK** button.
3. Press ► button 4 times and press **OK** button.
4. Use ◀► button to select language for LCD and press **OK** button.

The desired language appears on the LCD.

5. Press **Stop** button.

Installation and Download Problems

- **Failed to MP Drivers Installation (Windows)**
- **Updating MP Drivers in Network Environment (Windows)**

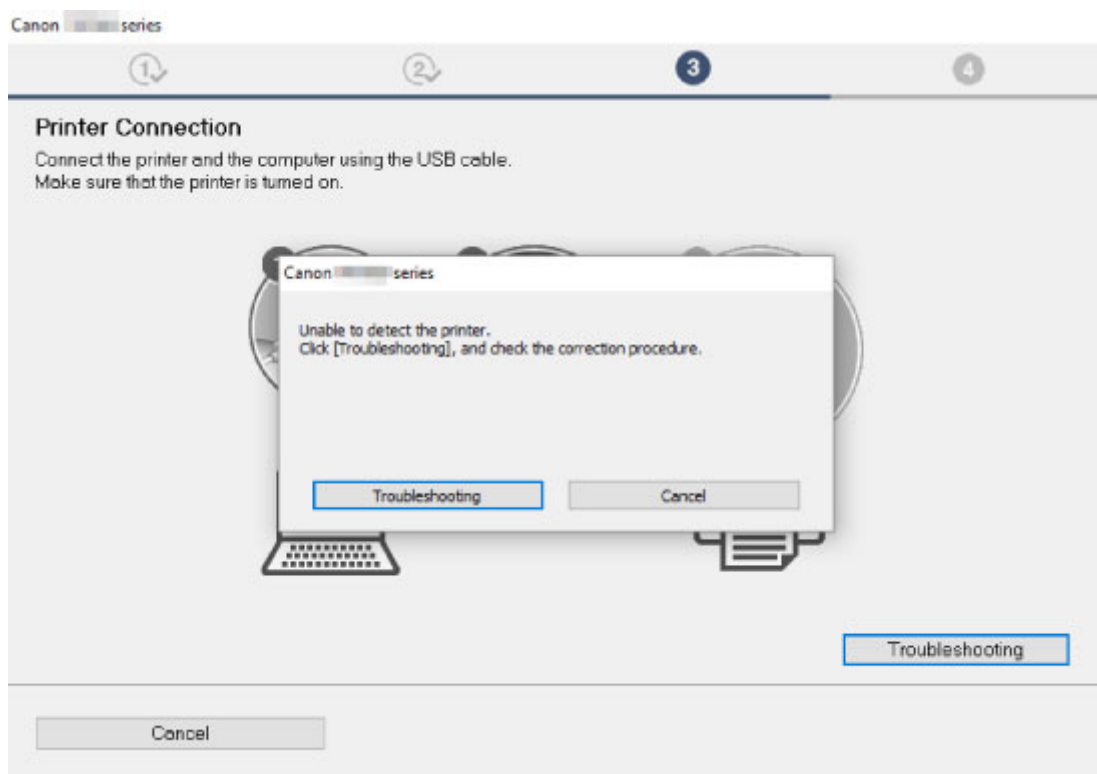


Failed to MP Drivers Installation (Windows)



- ➔ [If you cannot get past the Printer Connection screen:](#)
- ➔ [Other cases:](#)

If you cannot get past the Printer Connection screen:



- ➔ [Cannot Proceed beyond Printer Connection Screen](#)

Other cases:

If the MP Drivers were not installed correctly, uninstall the MP Drivers, restart your computer, and then reinstall the MP Drivers.

- ➔ [Deleting the Unnecessary MP Drivers](#)

[Click here](#) and install the MP Drivers.

▶▶▶ Note

- If the installer was stopped due to a Windows error, Windows operation may be unstable, and you may not be able to install the drivers. Restart your computer and then reinstall the drivers.



Updating MP Drivers in Network Environment (Windows)



Download the latest MP Drivers.

Download the latest MP Drivers for your model on the download page of the Canon website.

Uninstall the existing MP Drivers and follow the installation instructions to install the latest MP Drivers that you downloaded. In the connection method selection screen, select **Use the printer with Wi-Fi connection**. The printer is detected automatically in the network.

Make sure the printer was found, and install the MP Drivers following the on-screen instructions.

»» Note

- The network settings on the printer are not affected, so the printer can be used on the network without redoing settings.

Errors and Messages

- ▶ **Four-Digit Alphanumeric Characters Appear on LCD**
- ▶ **When Error Occurred**
- ▶ **Message (Support Code) Appears**

Four-Digit Alphanumeric Characters Appear on LCD

A message appears on the printer's LCD or your computer screen.

Some errors may display four-digit alphanumeric characters along with the error message. The characters represent a "support code" (error number).

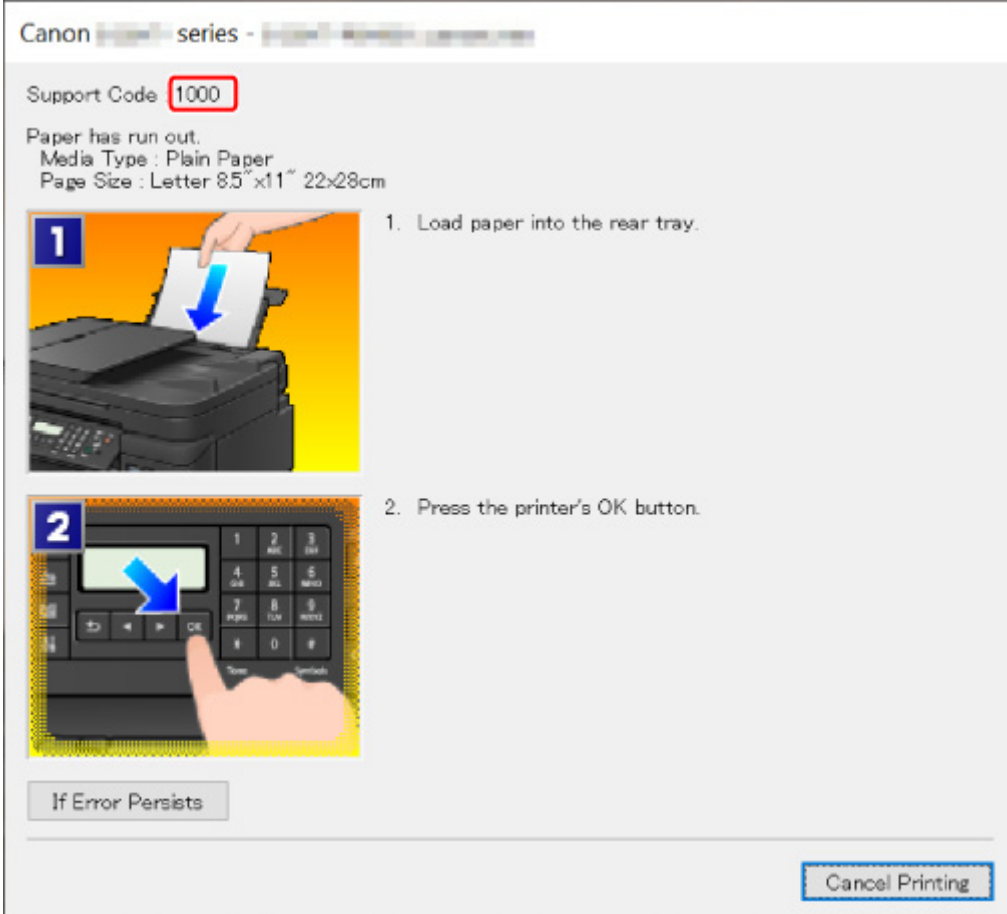
For details on each support code, see [List of Support Code for Error](#).

When Error Occurred

If an error occurs in printing, for example if the paper runs out or jams, a troubleshooting message appears automatically. Take the appropriate action described in the message.

When an error occurs, a message is displayed on the computer or on the printer. For some errors, a support code (error number) is also displayed.


When a Support Code and a Message are displayed on the Computer Screen (Windows):




Canon [series] series - [model]

Support Code **1000**

Paper has run out.
Media Type : Plain Paper
Page Size : Letter 8.5" x11" 22x28cm

1  1. Load paper into the rear tray.

2  2. Press the printer's OK button.

[If Error Persists](#)

[Cancel Printing](#)

When a Support Code and a Message are displayed on the Printer's LCD:

No paper in rear tray
Load paper in the ri **1000**

For details on how to resolve errors with Support Codes, see [List of Support Code for Error](#).

►► Note

- For details on how to resolve errors without Support Codes, see [Message \(Support Code\) Appears](#).

Message (Support Code) Appears

This section describes some of the messages that may appear.

►► Note

- A support code (error number) is displayed for some errors. For details on errors that have support code, see [List of Support Code for Error](#).

If a message appears on the printer's LCD, see below.

➔ [Message Appears on Printer's LCD](#)

If a message appears on the computer, see below.

➔ [Error Regarding Automatic Duplex Printing Is Displayed](#)

➔ [Error Regarding Power Cord Being Unplugged Is Displayed \(Windows\)](#)

➔ [Writing Error/Output Error/Communication Error \(Windows\)](#)

➔ [Other Error Messages \(Windows\)](#)



Message Appears on Printer's LCD



Check the message and take appropriate action.

- **Cannot connect to the server; try again**

The printer cannot connect to the server due to a communication error.

Press the printer's **OK** button to cancel the error and try again after a while.

- **Data error**

A power failure has occurred or the power cord has been unplugged when the faxes are stored in the printer's memory.

►► Important

- If a power failure occurs or you unplug the power cord, all faxes stored in the printer's memory are deleted.

Press the printer's **OK** button to cancel the error.

The list of the faxes deleted from the printer's memory (MEMORY CLEAR REPORT) will be printed.

For details, refer to Summary of Reports and Lists.

See [Unplugging the Printer](#) for unplugging the power cord.

- **Check page size**

The size of the loaded paper is different from that specified in the paper size setting.

Check **Paper Source**, **Page size**, and **Media type** of **Fax paper settings** in **Fax menu**, and load the specified paper. And then, press the printer's **OK** button to cancel the error.

- **Hang up phone**

The handset is not placed in the handset cradle correctly.

Replace the handset correctly.

»» **Note**

- See [A Message for Faxing Is Displayed on Fax Standby Screen](#) for the message displayed on the fax standby screen.

Error Regarding Automatic Duplex Printing Is Displayed

A

Check See [Automatic Duplex Printing Problems](#) and take the appropriate action.

Error Regarding Power Cord Being Unplugged Is Displayed (Windows)

A

The printer may have been unplugged while it was on.

»» **Important**

- If you unplug the power cord, all the faxes stored in the printer's memory are deleted.

Check the error message that appears on the computer and click **OK**.

The printer starts printing.

See [Unplugging the Printer](#) for unplugging the power cord.

Writing Error/Output Error/Communication Error (Windows)

A

Check1 If the **ON** lamp is off, make sure printer is plugged in and turn on.

The **ON** lamp flashes while the printer is initializing. Wait until the **ON** lamp stops flashing and remains lit.

Check2 Make sure printer is properly connected to computer.

If you are using a USB cable, make sure it is securely connected to both the printer and the computer. When the USB cable is securely plugged in, check the following:

- If you are using a relay device such as a USB hub, disconnect it, connect the printer directly to the computer, and retry the printing. If printing starts normally, there is a problem with the relay device. Contact the vendor of the relay device.
- There could also be a problem with the USB cable. Replace the USB cable and retry the printing.

If you use the printer over a LAN, make sure the printer is correctly set up for network use.

Check3 Make sure MP Drivers are installed correctly.

Uninstall the MP Drivers following the procedure described in [Deleting the Unnecessary MP Drivers](#) and reinstall them from the Setup CD-ROM or the Canon website.

Check4 When printer is connected to your computer with a USB cable, check device status from your computer.

Follow the procedure below to check the device status.

1. Select **Control Panel > Hardware and Sound > Device Manager**.

▶▶▶ Note

- If the **User Account Control** screen appears, select **Continue**.

2. Open **USB Printing Support Properties**.

Double-click **Universal Serial Bus controllers** and **USB Printing Support**.

▶▶▶ Note

- If **USB Printing Support Properties** screen does not appear, make sure the printer is correctly connected to the computer.

➔ **Check2** [Make sure printer is properly connected to computer.](#)

3. Click **General** tab and check for a device problem.

If a device error is shown, see Windows Help to resolve it.

Other Error Messages (Windows)

Answer

Check If an error message appears outside printer status monitor, check the following:

- **"Could not spool successfully due to insufficient disk space"**
Delete any unnecessary files to increase the amount of free space on the disk.
- **"Could not spool successfully due to insufficient memory"**
Close other applications to increase the available memory.

If you still cannot print, restart your computer and retry the printing.

- **"Printer driver could not be found"**

Uninstall the MP Drivers following the procedure described in Deleting the Unnecessary MP Drivers and reinstall them from the Setup CD-ROM or the Canon website.

- **"Could not print Application name - File name"**

Try printing again once the current job is complete.

List of Support Code for Error

Support code appears on the printer's LCD and your computer screen when errors occur.

A "support code" is an error number, and appears along with an error message.

When an error occurs, check the support code displayed on the printer's LCD and computer screen and take the appropriate action in response.

Support Code Appears on Printer's LCD and Computer Screen

- **1000 to 1ZZZ**

[1000](#) [1003](#) [1200](#) 1215 1240 1270

[1300](#) [1303](#) [1304](#) 1309 1310 [1313](#)

1365 1366 1367 1431 1432 1470

1471 1472 1473 1476 15A1 1641

1642 [1700](#) 1701 1871 1874 [1890](#)

1892

- **2000 to 2ZZZ**

[2110](#) [2113](#) [2114](#) 2120 2123 2500

2700 2801 2802 2803

- **3000 to 3ZZZ**

3402 3403 3404 3405 3406 3407

340D 340E 3410 3411 3412 3413

3438 3440 3441 3442 3443 3444

3445 3446 3447 3449

- **4000 to 4ZZZ**

[4103](#) 4104 495A

- **5000 to 5ZZZ**

[5011](#) [5012](#) 5040 5050 [5100](#) [5200](#)

5205 5206 5400 5700 [5B00](#) 5B01

5C02

- **6000 to 6ZZZ**

[6000](#) 6001 6004 6500 6800 6801

6830 6831 6832 6833 6900 6901

6902 6910 6911 6920 6921 6930

6931 6932 6933 6936 6937 6938

6939 693A 6940 6941 6942 6943

6944 6945 6946 6A80 6A81 6D01

- **7000 to 7ZZZ**

7500 7600 7700 7800

- **9000 to 9ZZZ**

9500

- **A000 to ZZZZ**

[C000](#)

For paper jam support codes, see also [List of Support Code for Error \(Paper Jams\)](#).

List of Support Code for Error (Paper Jams)

If paper jams, remove it following the appropriate procedure as shown below.

- If you can see the jammed paper at the paper output slot or the rear tray:
 - ➔ [1300](#)
- If you cannot see the jammed paper at the paper output slot or the rear tray:
 - If the paper fed from the cassette is jammed:
 - ➔ [1303](#)
 - If the paper is jammed when performing automatic duplex printing:
 - ➔ [1304](#)
 - If the paper is jammed as the printer pulled in the printed paper:
 - ➔ [1313](#)
 - If the paper tears and you cannot remove it from the paper output slot or if the paper is jammed inside the printer:
 - ➔ [Paper Is Jammed inside Printer](#)
- If the document is jammed in the ADF:
 - ➔ 2801
- Cases other than above:
 - ➔ Other Cases

Cause

Paper is jammed when feeding paper from rear tray.

What to Do

If the paper fed from the rear tray is jammed, remove the jammed paper from the paper output slot or from the rear tray following the instructions below.

Important

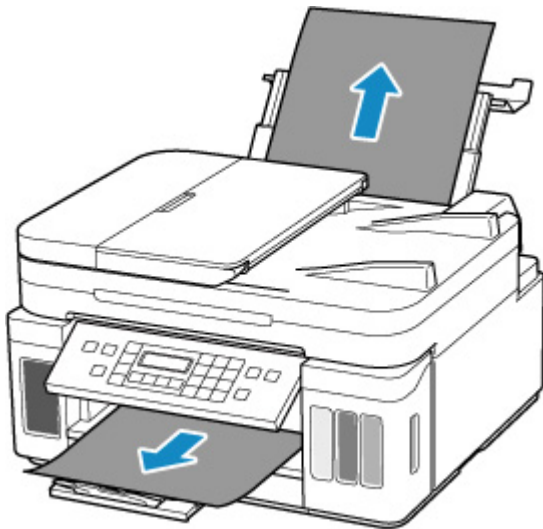
- The printer cannot be turned off while it is sending or receiving a fax, or when the received fax or the unsent fax is stored in the printer's memory.

Turn off the printer after making sure it has completed sending or receiving all the faxes. Do not unplug when turning off the printer.

If you unplug the power cord, all the faxes stored in the printer's memory are deleted.

1. Slowly pull out paper, either from paper output slot or from rear tray, whichever is easier.

Hold the paper with both hands, and pull it out slowly so as not to tear it.



Note

- If you cannot pull out the paper, turn the printer back on without pulling forcibly. The paper may be ejected automatically.
- If paper becomes jammed during printing and you need to turn off the printer to remove it, press the printer's **Stop** button to stop the printing before you turn off the printer.
- If the paper tears and you cannot remove the jammed paper from the paper output slot or the rear tray, remove the paper from inside the printer.

➔ [Paper Is Jammed inside Printer](#)

If you cannot remove the paper from inside the printer, try to pull the paper out from the rear side of the printer.

➔ [Removing Jammed Paper from Rear Side](#)

2. Reload paper and press printer's **OK button.**

The printer resumes printing. Reprint the page you were printing if it was not printed properly due to the paper jam.

If you turned off the printer in step 1, the print data that was sent to the printer is erased. Redo the printing.

▶▶▶ Note

- When reloading the paper, make sure you are using suitable paper and loading it correctly.
- We recommend using paper sizes other than A5 to print documents with photos or graphics. A5 paper may curl and jam as it leaves the printer.

If the measures above do not solve the problem, contact your nearest Canon service center to request a repair.

▶▶▶ Important

- Do not tilt the printer when moving it since the ink may leak out.
- When transporting the printer for repairing it, see [Repairing Your Printer](#).

Cause

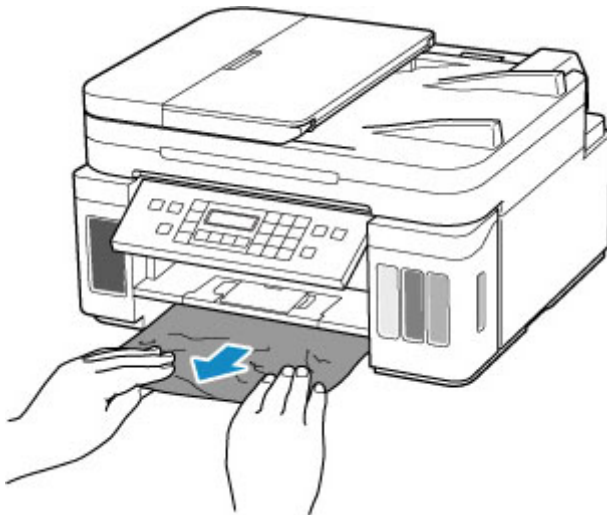
Paper is jammed when feeding paper from cassette.

What to Do

1. Remove jammed paper.

- If the paper is jammed at the paper output slot:
 - ➔ [1300](#)
- If the paper is jammed inside the printer:
 - ➔ [Paper Is Jammed inside Printer](#)
- If the paper is jammed at the feed slot of the cassette:

After storing the output tray extension and the paper output tray, pull out the cassette and remove the jammed paper slowly with both hands.



▶▶▶ Important

- When checking the feed slot of the cassette or removing the jammed paper, do not turn the printer upside down or tilt it. The ink may leak out.
- If none of the above is applied, see [Removing Jammed Paper from Rear Side](#) to open the rear cover and to remove the paper.

2. Load paper in cassette properly.

- ➔ [Loading Paper in the Cassette](#)

3. Press printer's **OK** button.

The printer resumes printing. Reprint the page you were printing if it was not printed properly due to the paper jam.

If the measures above do not solve the problem, contact your nearest Canon service center to request a repair.

▶▶ Important

- If you unplug the power cord, all the faxes stored in the printer's memory are deleted.
- Do not tilt the printer when moving it since the ink may leak out.
- When transporting the printer for repairing it, see [Repairing Your Printer](#).

Cause

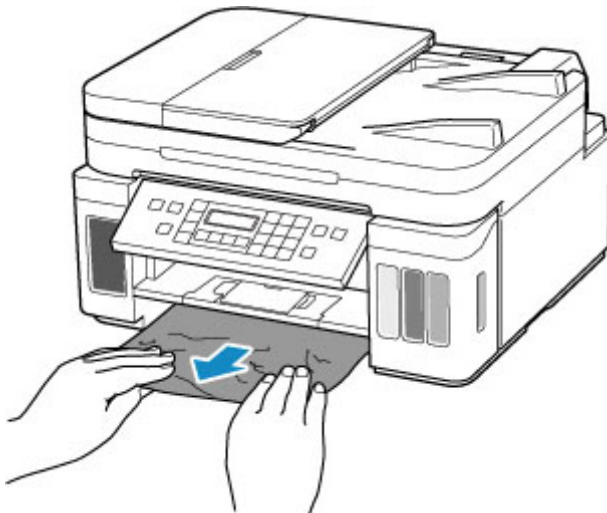
Paper is jammed when performing automatic duplex printing.

What to Do

1. Remove jammed paper.

- If the paper is jammed at the paper output slot:
 - ➔ [1300](#)
- If the paper is jammed inside the printer:
 - ➔ [Paper Is Jammed inside Printer](#)
- If the paper is jammed at the feed slot of the cassette:

After storing the output tray extension and the paper output tray, pull out the cassette and remove the jammed paper slowly with both hands.



▶▶▶ Important

- When checking the feed slot of the cassette or removing the jammed paper, do not turn the printer upside down or tilt it. The ink may leak out.
- If none of the above is applied, see [Removing Jammed Paper from Rear Side](#) to open the rear cover and to remove the paper.

2. Load paper properly.

- ➔ [Loading Paper in the Cassette](#)
- ➔ [Loading Paper in the Rear Tray](#)

3. Press printer's **OK** button.

The printer resumes printing. Reprint the page you were printing if it was not printed properly due to the paper jam.

If the measures above do not solve the problem, contact your nearest Canon service center to request a repair.

»» Important

- If you unplug the power cord, all the faxes stored in the printer's memory are deleted.
- Do not tilt the printer when moving it since the ink may leak out.
- When transporting the printer for repairing it, see [Repairing Your Printer](#).

1313

Cause

Paper is jammed as printer pulled in printed paper.

What to Do

If the paper is jammed as the printer pulled in the printed paper, try to remove the paper from the following locations.

- Paper output slot
 - ➔ [1300](#)
- Inside of the printer
 - ➔ [Paper Is Jammed inside Printer](#)
- Rear side
 - ➔ [Removing Jammed Paper from Rear Side](#)

Paper Is Jammed inside Printer

If the jammed paper tears and you cannot remove the paper from the paper output slot / the feed slot of the cassette / the rear tray, or if the jammed paper remains inside the printer, remove the paper following the instructions below.

»» Important

- The printer cannot be turned off while it is sending or receiving a fax, or when the received fax or the unsent fax is stored in the printer's memory.

Turn off the printer after making sure it has completed sending or receiving all the faxes. Do not unplug when turning off the printer.

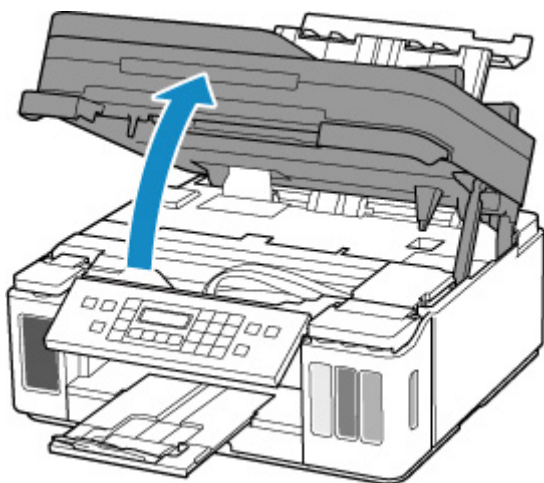
If you unplug the power cord, all the faxes stored in the printer's memory are deleted.

»» Note

- If paper becomes jammed during printing and you need to turn off the printer to remove it, press the printer's **Stop** button to stop the printing before you turn off the printer.

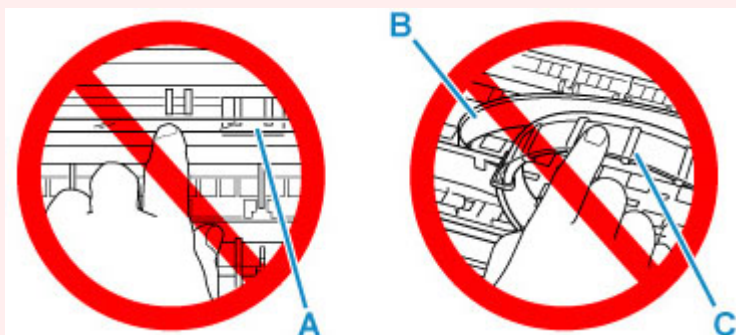
1. Turn off printer and unplug it.

2. Open scanning unit / cover.



»» Important

- Do not touch clear film (A), white belt (B), or tubes (C).

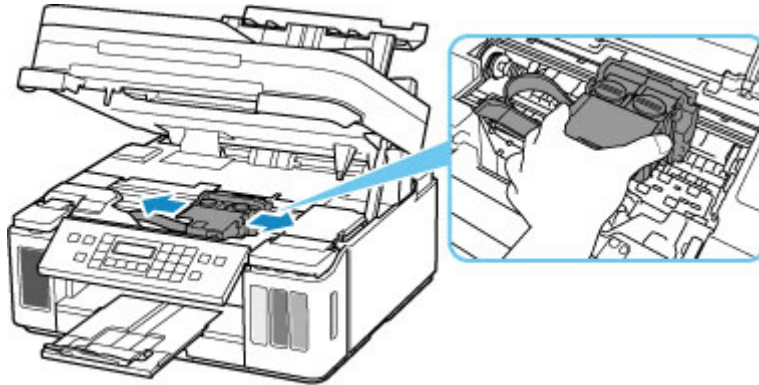


If you soil or scratch this part by touching it with paper or your hand, it could damage the printer.

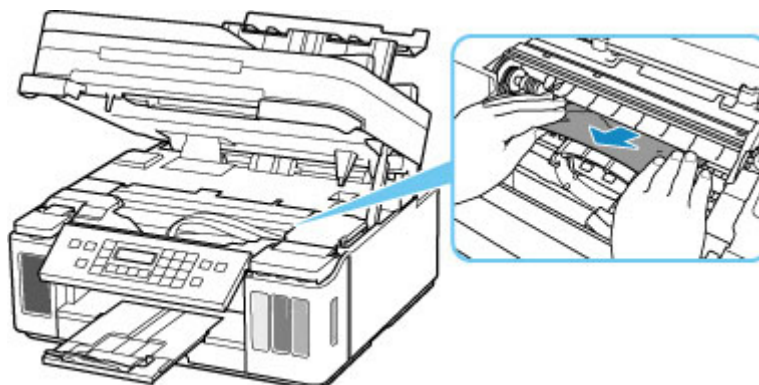
3. Check if jammed paper is under print head holder.

If the jammed paper is under the print head holder, move the print head holder to the far right or left, whichever makes it easier to remove the paper.

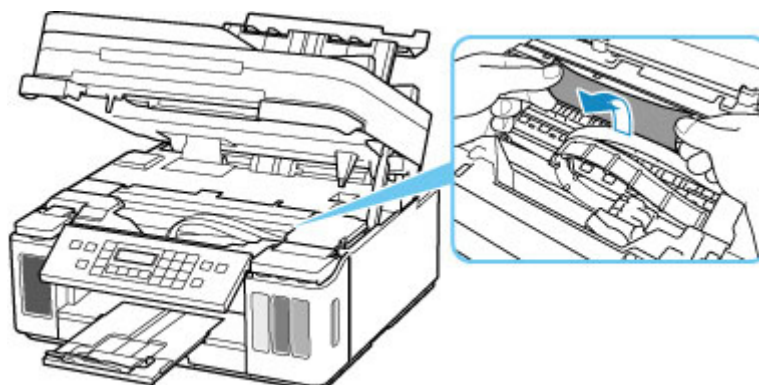
When moving the print head holder, hold the top of the print head holder and slide it slowly to the far right or left.



4. Hold jammed paper firmly in both hands.

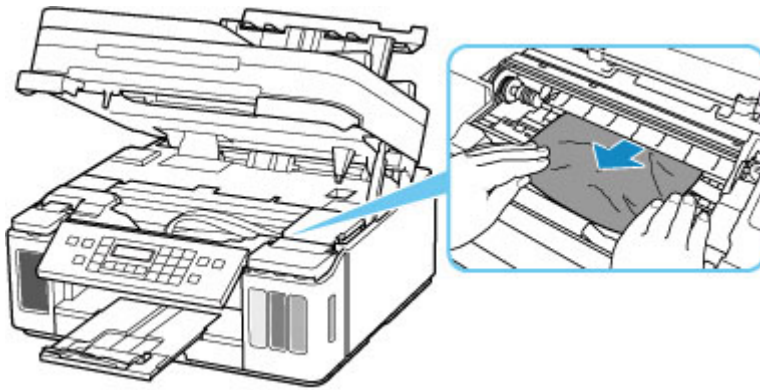


If the paper is rolled up, pull out it.



5. Slowly pull out paper, so as not to tear it.

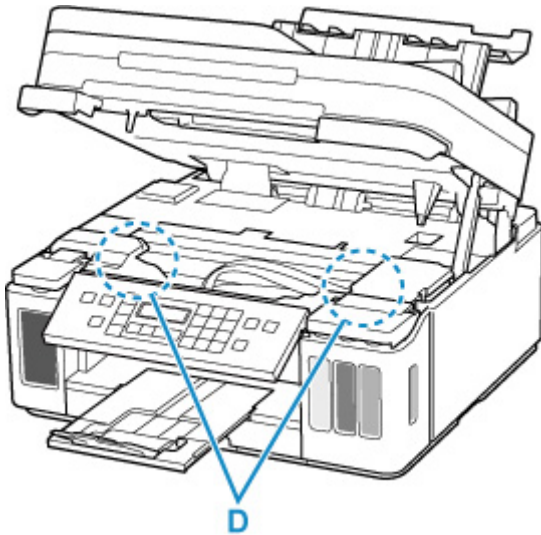
Pull out the paper at an angle of about 45 degrees.



6. Make sure all jammed paper is removed.

If the paper tears when you pull out it, a bit of paper may remain in the printer. Check the following and remove any remaining paper.

- Any paper left under the print head holder?
- Any small bits of paper left in the printer?
- Any paper left in the left and right empty spaces (D) in the printer?



7. Close scanning unit / cover gently.

8. Plug in the printer again and turn it back on.

All jobs in the print queue are canceled. Redo the printing.

▶▶ Note

- When reloading the paper, make sure you are using suitable paper and loading it correctly.

If a paper jam message appears on the printer's LCD or on your computer screen when you resume printing after removing all the jammed paper, there may be some paper still inside the printer. Check the printer again for any remaining bits of paper.

If the measures above do not solve the problem, contact your nearest Canon service center to request a repair.

»» Important

- Do not tilt the printer when moving it since the ink may leak out.
- When transporting the printer for repairing it, see [Repairing Your Printer](#).

Removing Jammed Paper from Rear Side

Important

- The printer cannot be turned off while it is sending or receiving a fax, or when the received fax or the unsent fax is stored in the printer's memory.

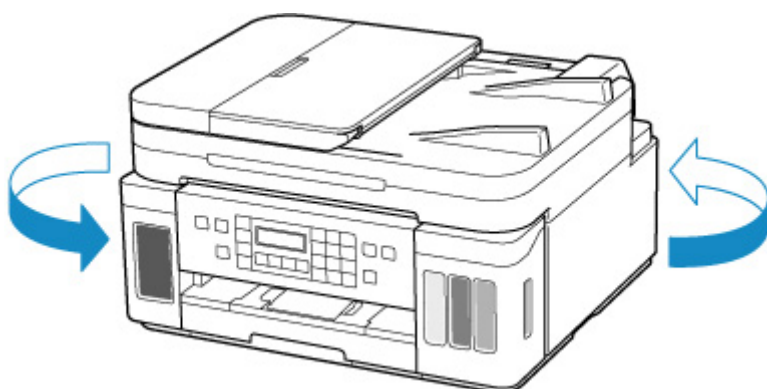
Turn off the printer after making sure it has completed sending or receiving all the faxes. Do not unplug when turning off the printer.

If you unplug the power cord, all the faxes stored in the printer's memory are deleted.

Note

- If paper becomes jammed during printing and you need to turn off the printer to remove it, press the printer's **Stop** button to stop the printing before you turn off the printer.

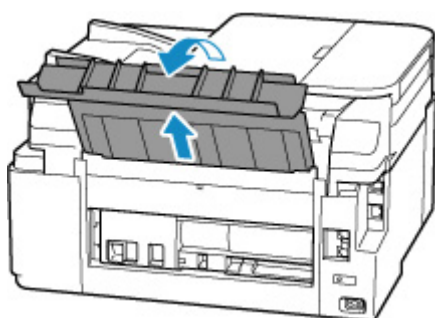
1. Make sure you have unplugged the power cord.
2. Rotate printer so that rear side of printer faces toward you.



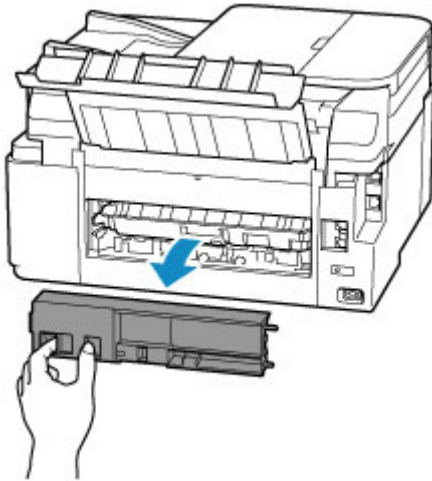
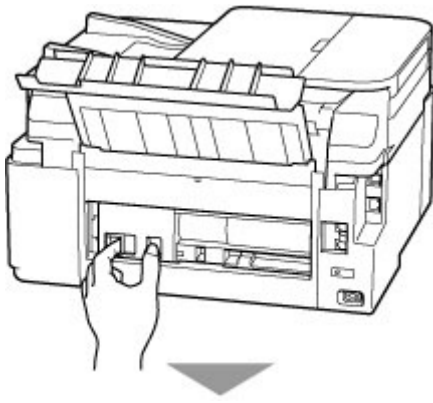
Important

- When changing the orientation of the printer, do not turn the printer upside down or tilt it. The ink may leak out.

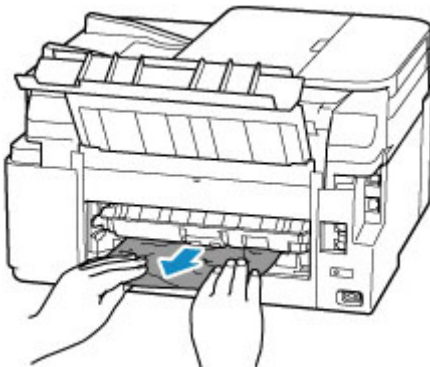
3. Open rear tray cover and then pull up paper support.



4. Detach rear cover.
Pull out the rear cover.



5. Slowly pull out paper.



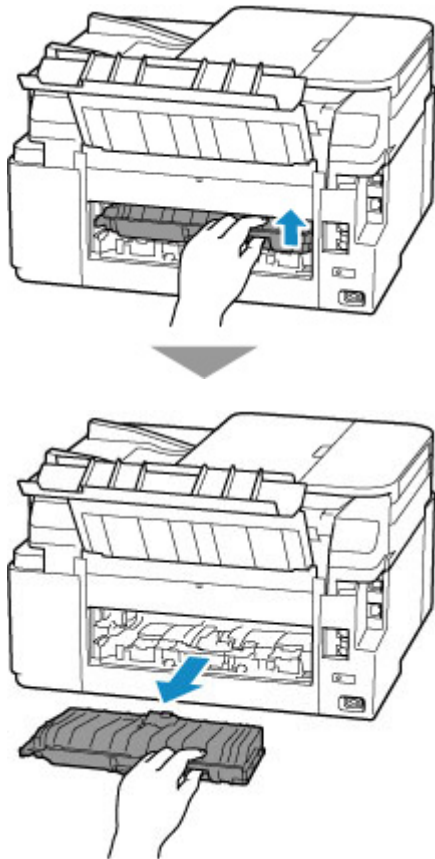
▶▶▶ **Note**

- Do not touch the inner parts of the printer.

If you were not able to remove the paper in this step, detach the transport unit cover and remove the paper by following these steps.

1. Detach transport unit cover.

Lift up the transport unit cover and pull out it.



2. Slowly pull out paper.



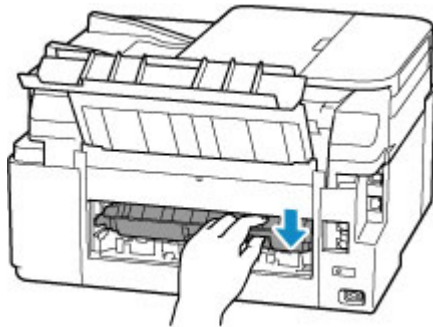
▶▶▶ Note

- Do not touch the inner parts of the printer.

3. Make sure all jammed paper is removed.

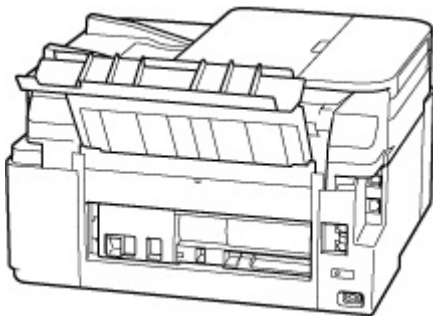
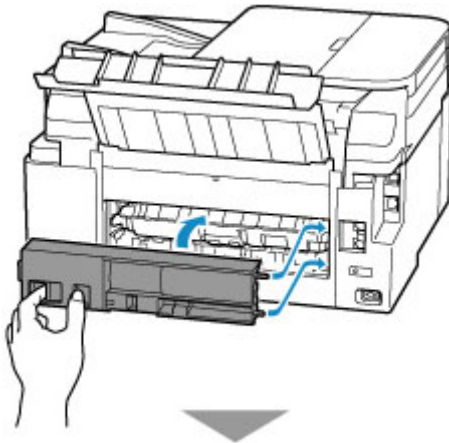
4. Attach transport unit cover.

Insert the transport unit cover slowly all the way into printer and take down the transport unit cover.



6. Attach rear cover.

Insert the projections of the right side of the rear cover into the printer, and then push the left side of the rear cover until it is closed completely.



7. Plug in the printer again and turn it back on.

The print data that was sent to the printer is erased. Redo the printing.

Note

- When reloading the paper, make sure you are using suitable paper and loading it correctly.
- Before printing, open the operation panel, pull out the paper output tray, and then open the output tray extension.

If the measures above do not solve the problem, contact your nearest Canon service center to request a repair.

Important

- Do not tilt the printer when moving it since the ink may leak out.
- When transporting the printer for repairing it, see [Repairing Your Printer](#).

Cause

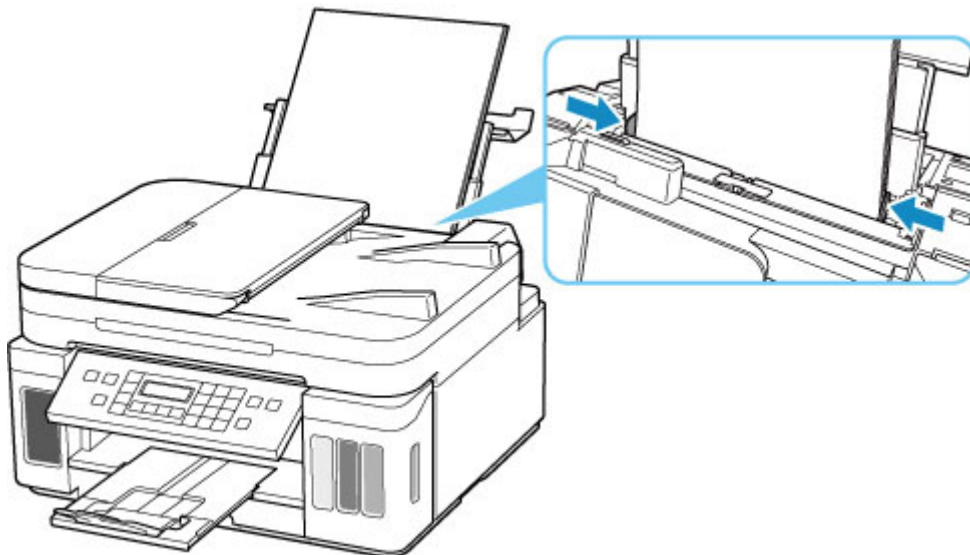
Possible causes include the following.

- There is no paper in the rear tray.
- Paper is not loaded in the rear tray properly.

What to Do

Take the corresponding actions below.

- Load paper in the rear tray.
 - ➔ [Loading Paper in the Rear Tray](#)
- Align the paper guides of the rear tray with the both edges of the paper.



- Set paper information for the paper in the rear tray.
 - ➔ [Paper Settings](#)

After carrying out the above measures, press the printer's **OK** button to cancel the error.

Important

- Be sure to close the feed slot cover after loading paper in the rear tray. If the feed slot cover is open, paper cannot be fed.

Note

- To cancel printing, press the printer's **Stop** button.

Paper is Not in the Cassette (1003)

Cause

Possible causes include the following.

- There is no paper in the cassette.
- Paper is not loaded in the cassette properly.

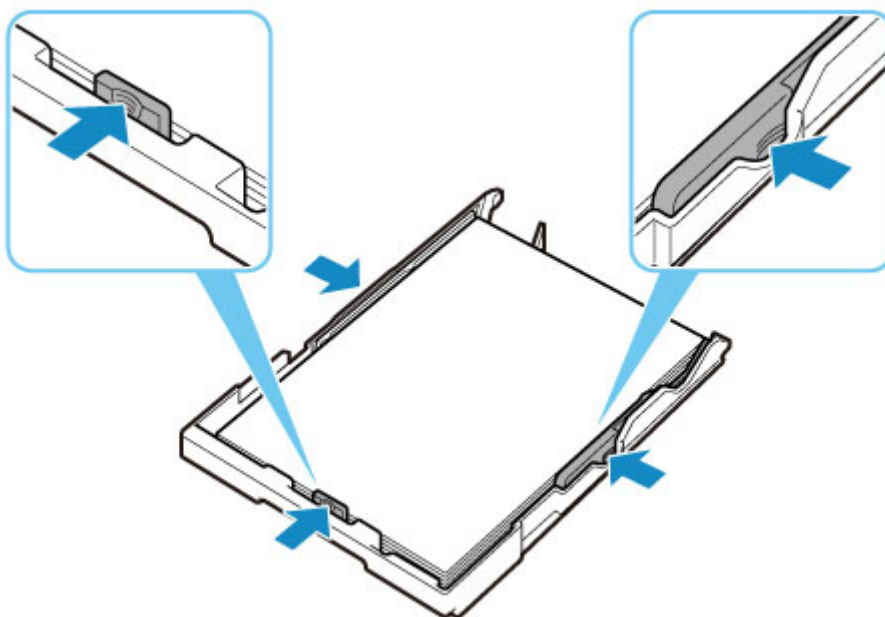
What to Do

Take the corresponding actions below.

- Load paper in the cassette.
 - ➔ [Loading Paper in the Cassette](#)

➤➤➤ Note

- The loadable paper differs depending on the paper source. The loadable paper in the cassette is A4, Letter, A5, or B5 size plain paper.
 - Load two sheets of A4/Letter-size plain paper in the cassette before aligning the print head.
- Align the paper guides of the cassette with the edges of the paper.



- Set paper information for the paper in the cassette.
 - ➔ [Paper Settings](#)

After carrying out the above measures, press the printer's **OK** button to cancel the error.

➤➤➤ Note

- To cancel printing, press the printer's **Stop** button.
However, if you are printing a print head alignment sheet during printer setup, do not cancel printing.

1200

Cause

Scanning unit / cover is open.

What to Do

Close the scanning unit / cover and wait for a while.

Do not forget to close it, such as after refilling ink tanks.

1700

Cause

Ink absorber is almost full.

What to Do

Press the printer's **OK** button to continue printing. Contact your nearest Canon service center to request a repair.

▶▶ Important

- If you unplug the power cord, all the faxes stored in the printer's memory are deleted.
- Do not tilt the printer when moving it since the ink may leak out.
- When transporting the printer for repairing it, see [Repairing Your Printer](#).

▶▶ Note

- In the case of warnings or errors caused by remaining ink levels, the printer cannot print or scan.

Shipping Tape etc. Are Still Attached (1890)

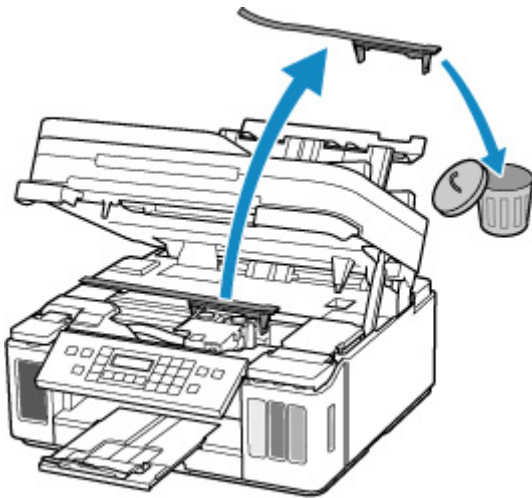
Cause

Shipping tape or protective material may still be attached to print head holder.

What to Do

Open the scanning unit / cover and make sure that shipping tape and protective material have been removed from the print head holder.

If the shipping tape or protective material is still there, remove it and close the scanning unit / cover.



In the case of the first printer setup, click [here](#), select your printer name on the page, and follow the instructions.

Cause

Paper settings for printing or copying do not match cassette paper information set on printer.

▶▶▶ Note

- See below for the correct correspondence between paper settings made on the printer driver or on the printer.
 - ➔ Paper Settings on the Printer Driver and the Printer (Media Type) (Windows)
 - ➔ Paper Settings on the Printer Driver and the Printer (Paper Size) (Windows)
- For copying, make the copy paper settings to match cassette paper information set on the printer.
- See below for details on cassette paper information set on the printer.
 - ➔ [Paper Settings](#)

If the print or copy paper settings do not match cassette paper information set on the printer, as shown below, a message appears on the printer's LCD.

- Paper settings specified on the printer driver:
 - Paper size: A5
 - Media type: Plain paper
- Cassette paper information set on the printer:
 - Paper size: A4
 - Media type: Plain paper

```
The size or type of 2110
[OK]Select option
```

What to Do

Press the printer's **OK** button to display the screen below.

```
Select option
Replace the paper ▶
```

Use the ◀ ▶ buttons to select the appropriate action, then press the printer's **OK** button.

▶▶▶ Note

- Depending on settings, some of the options below may not appear.

Print on set paper

Select this option to print or copy onto the paper in the cassette without changing the paper settings.

For example, if the paper setting specified on the printer driver is A5, and cassette paper information is set to A4, the A5 size setting is used to print onto the paper in the cassette.

Replace the paper

Select this option to print or copy after changing the paper in the cassette.

For example, if the paper setting specified on the printer driver is A5, and cassette paper information is set to A4, change the paper in the cassette to A5 paper and proceed with printing.

Once you have inserted the cassette after changing the paper, the screen for setting cassette paper information appears. Set paper information for the paper in the cassette.

▶▶▶ Note

- See below for the correct correspondence between paper settings made on the printer driver or on the printer.
 - ➔ Paper Settings on the Printer Driver and the Printer (Media Type) (Windows)
 - ➔ Paper Settings on the Printer Driver and the Printer (Paper Size) (Windows)

Cancel

Cancels printing or copying.

Select this option when you want to change the paper settings. Change the paper settings and retry printing or copying.

▶▶▶ Note

- To suppress the misprint prevention message, change the setting as described below. When you suppress the message, the printer uses the paper settings for printing or copying onto the paper in the cassette regardless of whether or not the paper matches these settings.
 - To change the message view setting when printing or copying using the operation panel of the printer:
 - ➔ [Feed settings](#)
 - To change the message view setting when printing from a computer:
 - ➔ Changing the Printer Operation Mode (Windows)
 - ➔ [Changing the Printer Operation Mode](#) (macOS)

Cause

Paper settings for printing or copying do not match either rear tray or cassette paper information set on printer.

▶▶▶ Note

- See below for the correct correspondence between paper settings made on the printer driver or on the printer.
 - ➔ Paper Settings on the Printer Driver and the Printer (Media Type) (Windows)
 - ➔ Paper Settings on the Printer Driver and the Printer (Paper Size) (Windows)
- For copying, make the copy paper settings to match cassette paper information set on the printer.
- See below for details on rear tray or cassette paper information set on the printer.
 - ➔ [Paper Settings](#)

If the paper source is set to automatically switch and the print or copy paper settings do not match either rear tray or cassette paper information set on the printer, as shown below, a message appears on the printer's LCD.

- Paper settings specified on the printer driver:
 - Paper size: A5
 - Media type: Plain paper
- Rear tray and cassette paper information set on the printer:
 - Paper size: A4
 - Media type: Plain paper

```
Size or type of load 2113
[OK]Select option
```

What to Do

Press the printer's **OK** button to display the screen below.

```
Select option
Replace the paper ▶
```

Use the ◀ ▶ buttons to select the appropriate action, then press the printer's **OK** button.

▶▶▶ Note

- Depending on settings, some of the options below may not appear.

Print on set paper

Select this option to print or copy onto the paper in the rear tray or the cassette without changing the paper settings.

For example, if the paper setting specified on the printer driver is A5, and rear tray and cassette paper information are set to A4, the A5 size setting is used to print onto the paper in the cassette.

Replace the paper

Select this option to print or copy after changing the paper in the rear tray or the cassette.

For example, if the paper setting specified on the printer driver is A5, and rear tray and cassette paper information are set to A4, change the paper in the rear tray or the cassette to A5 paper and proceed with printing.

Once you have changed the paper, the screen for setting rear tray or cassette paper information appears. Set paper information for the paper.

▶▶▶ Note

- See below for the correct correspondence between paper settings made on the printer driver or on the printer.
 - ➔ Paper Settings on the Printer Driver and the Printer (Media Type) (Windows)
 - ➔ Paper Settings on the Printer Driver and the Printer (Paper Size) (Windows)

Cancel

Cancels printing or copying.

Select this option when you want to change the paper settings. Change the paper settings and retry printing or copying.

▶▶▶ Note

- To suppress the misprint prevention message, change the setting as described below. When you suppress the message, the printer uses the paper settings for printing or copying onto the paper in the rear tray or the cassette regardless of whether or not the paper matches these settings.
 - To change the message view setting when printing or copying using the operation panel of the printer:
 - ➔ [Feed settings](#)
 - To change the message view setting when printing from a computer:
 - ➔ Changing the Printer Operation Mode (Windows)
 - ➔ [Changing the Printer Operation Mode](#) (macOS)

Cause

Paper settings for printing or copying do not match rear tray paper information set on printer.

▶▶▶ Note

- See below for the correct correspondence between paper settings made on the printer driver or on the printer.
 - ➔ Paper Settings on the Printer Driver and the Printer (Media Type) (Windows)
 - ➔ Paper Settings on the Printer Driver and the Printer (Paper Size) (Windows)
- For copying, make the copy paper settings to match cassette paper information set on the printer.
- See below for details on rear tray paper information set on the printer.
 - ➔ [Paper Settings](#)

If the print or copy paper settings do not match rear tray paper information set on the printer, as shown below, a message appears on the printer's LCD.

- Paper settings specified on the printer driver:
 - Paper size: A5
 - Media type: Plain paper
- Rear tray paper information set on the printer:
 - Paper size: A4
 - Media type: Plain paper

```
The size or type of 2114
[OK]Select option
```

What to Do

Press the printer's **OK** button to display the screen below.

```
Select option
Replace the paper ▶
```

Use the ◀ ▶ buttons to select the appropriate action, then press the printer's **OK** button.

▶▶▶ Note

- Depending on settings, some of the options below may not appear.

Print on set paper

Select this option to print or copy onto the paper in the rear tray without changing the paper settings.

For example, if the paper setting specified on the printer driver is A5, and rear tray paper information is set to A4, the A5 size setting is used to print onto the paper in the rear tray.

Replace the paper

Select this option to print or copy after changing the paper in the rear tray.

For example, if the paper setting specified on the printer driver is A5, and rear tray paper information is set to A4, change the paper in the rear tray to A5 paper and proceed with printing.

Once you have closed the feed slot cover after changing the paper, the screen for setting rear tray paper information appears. Set paper information for the paper in the rear tray.

▶▶▶ Note

- See below for the correct correspondence between paper settings made on the printer driver or on the printer.
 - ➡ Paper Settings on the Printer Driver and the Printer (Media Type) (Windows)
 - ➡ Paper Settings on the Printer Driver and the Printer (Paper Size) (Windows)

Cancel

Cancels printing or copying.

Select this option when you want to change the paper settings. Change the paper settings and retry printing or copying.

▶▶▶ Note

- To suppress the misprint prevention message, change the setting as described below. When you suppress the message, the printer uses the paper settings for printing or copying onto the paper in the rear tray regardless of whether or not the paper matches these settings.
 - To change the message view setting when printing or copying using the operation panel of the printer:
 - ➡ [Feed settings](#)
 - To change the message view setting when printing from a computer:
 - ➡ Changing the Printer Operation Mode (Windows)
 - ➡ [Changing the Printer Operation Mode](#) (macOS)

4103

Cause

Cannot perform printing with current print settings.

What to Do

Press the printer's **Stop** button to cancel printing.

Then change the print settings and retry printing.

5011

Cause

Printer error has occurred.

What to Do

Turn off the printer and unplug it.

Plug in the printer again and turn it back on.

If this does not solve the problem, contact your nearest Canon service center to request a repair.

▶▶ Important

- If you unplug the power cord, all the faxes stored in the printer's memory are deleted.
- Do not tilt the printer when moving it since the ink may leak out.
- When transporting the printer for repairing it, see [Repairing Your Printer](#).

5012

Cause

Printer error has occurred.

What to Do

Turn off the printer and unplug it.

Plug in the printer again and turn it back on.

If this does not solve the problem, contact your nearest Canon service center to request a repair.

▶▶ Important

- If you unplug the power cord, all the faxes stored in the printer's memory are deleted.
- Do not tilt the printer when moving it since the ink may leak out.
- When transporting the printer for repairing it, see [Repairing Your Printer](#).

Cause

Printer error has occurred.

What to Do

If you are printing, press the printer's **Stop** button to cancel printing, then turn off the printer.

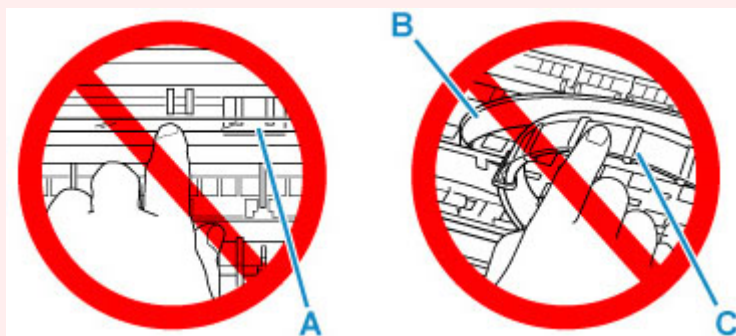
Check the following:

- Make sure print head holder motion is not impeded by protective material and tape for securing the print head holder, jammed paper, etc.

Remove any impediment.

»» Important

- When clearing an impediment to print head holder motion, be careful not to touch clear film (A), white belt (B), or tubes (C).



If you soil or scratch this part by touching it with paper or your hand, it could damage the printer.

Turn the printer back on.

If this does not solve the problem, contact your nearest Canon service center to request a repair.

»» Important

- If you unplug the power cord, all the faxes stored in the printer's memory are deleted.
- Do not tilt the printer when moving it since the ink may leak out.
- When transporting the printer for repairing it, see [Repairing Your Printer](#).

5200

Cause

Printer error has occurred.

What to Do

Check the remaining ink level, and then refill the ink tank if necessary.

Turn off the printer and unplug it.

Wait about 10 minutes and then plug in the printer again and turn it back on.

If the ink tank is refilled because it runs out of ink, perform ink flush.

- From Windows:
 - ➔ [Cleaning the Print Heads](#)
- From macOS:
 - ➔ [Cleaning the Print Heads](#)
- From the operation panel of the printer:
 - ➔ [How to Perform Ink Flush](#)

If this does not solve the problem, contact your nearest Canon service center to request a repair.

▶▶ Important

- If you unplug the power cord, all the faxes stored in the printer's memory are deleted.
- Do not tilt the printer when moving it since the ink may leak out.
- When transporting the printer for repairing it, see [Repairing Your Printer](#).

5B00

Cause

Printer error has occurred.

What to Do

Contact your nearest Canon service center to request a repair.

▶▶ Important

- If you unplug the power cord, all the faxes stored in the printer's memory are deleted.
- Do not tilt the printer when moving it since the ink may leak out.
- When transporting the printer for repairing it, see [Repairing Your Printer](#).

▶▶ Note

- In the case of warnings or errors caused by remaining ink levels, the printer cannot print or scan.

6000

Cause

Printer error has occurred.

What to Do

If the paper is jammed, remove it depending on the jammed location and cause.

➔ [List of Support Code for Error \(Paper Jams\)](#)

Turn off printer and unplug it.

Plug in the printer again and turn it back on.

If this does not solve the problem, contact your nearest Canon service center to request a repair.

▶▶ Important

- If you unplug the power cord, all the faxes stored in the printer's memory are deleted.
- Do not tilt the printer when moving it since the ink may leak out.
- When transporting the printer for repairing it, see [Repairing Your Printer](#).

C000

Cause

Printer error has occurred.

What to Do

Turn off printer and unplug it.

Plug in the printer again and turn it back on.

If this does not solve the problem, contact your nearest Canon service center to request a repair.

▶▶ Important

- If you unplug the power cord, all the faxes stored in the printer's memory are deleted.
- Do not tilt the printer when moving it since the ink may leak out.
- When transporting the printer for repairing it, see [Repairing Your Printer](#).