

## 42U Rack Enclosure

RK4236BKB



\*actual product may vary from photos

FR: Guide de l'utilisateur - [fr.startech.com](http://fr.startech.com)

DE: Bedienungsanleitung - [de.startech.com](http://de.startech.com)

ES: Guía del usuario - [es.startech.com](http://es.startech.com)

NL: Gebruiksaanwijzing - [nl.startech.com](http://nl.startech.com)

PT: Guia do usuário - [pt.startech.com](http://pt.startech.com)

IT: Guida per l'uso - [it.startech.com](http://it.startech.com)

For the latest information, technical specifications, and support for this product, please visit [www.StarTech.com/RK4236BKB](http://www.StarTech.com/RK4236BKB).

## **Use of Trademarks, Registered Trademarks, and other Protected Names and Symbols**

This manual may make reference to trademarks, registered trademarks, and other protected names and/or symbols of third-party companies not related in any way to StarTech.com. Where they occur these references are for illustrative purposes only and do not represent an endorsement of a product or service by StarTech.com, or an endorsement of the product(s) to which this manual applies by the third-party company in question. Regardless of any direct acknowledgement elsewhere in the body of this document, StarTech.com hereby acknowledges that all trademarks, registered trademarks, service marks, and other protected names and/or symbols contained in this manual and related documents are the property of their respective holders.

## Warning statements

Make sure that you assemble this product according to this instructions.

Do not exceed the weight capacity of this product. Overloading this product might result in injury or property damage. This product can support the following weight: 2000 lb. (907 kg).

This product is intended for indoor use only and should not be used outdoors.

This enclosure is extremely heavy. Never attempt to move or lift this enclosure without assistance.

**Tipping hazard!** Extending multiple components from this enclosure increases the chance that the enclosure will tip over. To avoid this risk, do not extend more than one component from the enclosure.

Do not place any items on this enclosure and do not stack the enclosure on top of another enclosure.

Keep liquid away from this enclosure.

This enclosure is heavy and weighs up to 125 kg. Make sure that you install the equipment in an area that can handle the combined weight of the enclosure and the equipment that you intend to place inside of the enclosure.

This product requires an earth ground connection. Do not use this product without an earth ground connection.

When you load equipment into this product, load the heaviest equipment in the bottom section of this product first. Continue loading equipment in a descending order of weight, so that the lighter equipment is installed in the upper sections of this product and the heavier items are on the bottom.

## Avertissements

Assemblez ce produit conformément aux instructions.

Ne dépassez pas la capacité pondérale du produit. Une surcharge du produit peut entraîner des blessures ou des dommages matériels. Ce produit peut supporter: 907 kg.

Ce produit est uniquement destiné à une utilisation en intérieur et ne doit pas être utilisé à l'extérieur.

Ce rack de serveur est extrêmement lourd. Ne tentez jamais de le déplacer ou de le soulever sans aide.

Risque de basculement ! L'extension de plusieurs composants à partir du rack de serveur augmente le risque de basculement. Pour éviter ce risque, n'étendez pas plus d'un composant à partir du rack de serveur.

Ne placez aucun objet sur ce rack de serveur et n'empilez pas le rack sur un autre rack.

N'approchez aucun liquide du rack de serveur.

Ce rack de serveur est lourd et pèse jusqu'à 125 kg. Veillez à installer le rack de serveur dans un endroit pouvant supporter le poids combiné du rack et des équipements que vous comptez placer à l'intérieur.

Ce produit nécessite un raccordement à la terre. N'utilisez pas ce produit sans raccordement à la terre.

Lorsque vous chargez des équipements dans ce produit, chargez les équipements les plus lourds dans la partie inférieure du produit en priorité. Continuez de charger les équipements dans un ordre de poids décroissant, de sorte que les équipements les plus légers soient installés dans les parties supérieures du produit, et les éléments plus lourds dans les parties inférieures.

## Waarschuwingen

Zorg dat u dit product volgens de instructies in elkaar zet.

Overschrijd de maximale capaciteit van dit product niet. Overbelasting van dit product kan letsel of materiële schade veroorzaken. Dit product kan het volgende gewicht ondersteunen: 907 kg.

Dit product is alleen bedoeld voor binnengebruik en mag niet buiten worden gebruikt.

Deze behuizing is enorm zwaar. Probeer nooit deze behuizing te verplaatsen of op te tillen zonder hulp.

**Kantelgevaar!** Wanneer meerdere componenten uit deze behuizing steken, bestaat de kans dat deze zal kantelen. Om dit risico te voorkomen, mag niet meer dan één component uit de behuizing steken.

Plaats geen voorwerpen op deze behuizing en steel de behuizing niet op een andere behuizing.

Houd vloeistof uit de buurt van deze behuizing.

De behuizing is zwaar en weegt tot 125 kg. Zorg dat u de behuizing installeert op een plaats die geschikt is voor het gecombineerde gewicht van de behuizing en de apparatuur die u in de behuizing wilt plaatsen.

Dit product vereist een geaarde verbinding. Gebruik dit product niet zonder een geaarde verbinding.

Wanneer u dit product met apparatuur belast, moet de zwaarste apparatuur als eerste in het onderste gedeelte van het product worden geplaatst. Ga door met het plaatsen van de apparatuur in aflopende volgorde, d.w.z. dat de lichtere apparatuur bovenin dit product en de zwaardere onderin worden geïnstalleerd.

## Advertencias de uso

Asegúrese de ensamblar este producto según las instrucciones.

Asegúrese de no exceder la capacidad de peso de este producto. La sobrecarga de este producto puede causar lesiones personales o daños en la propiedad. Este producto tiene capacidad para el siguiente peso: 907 kg.

El uso de este producto es solo para interiores y no debe utilizarse en exteriores.

La caja es extremadamente pesada. Nunca intente mover o alzar esta caja sin la debida asistencia de otra persona.

**¡Peligro de vuelco!** Añadir a esta caja varios componentes aumenta las posibilidades de peligro de vuelco de la caja. Para evitar dicho riesgo, no añada más que un solo componente.

No coloque ningún elemento encima de la caja y no apile la caja encima de otra caja.

Mantenga cualquier líquido lejos de la caja.

Esta caja es pesada y pesa hasta 125 kg. Asegúrese de instalar la caja en un área que tenga capacidad para soportar el peso combinado de la caja y el equipo que va a instalar dentro de la misma.

Este producto requiere conexión a tierra. No utilice este producto sin conexión a tierra.

Cuando instale equipo en este producto, coloque primero el equipo más pesado en la parte inferior. Continúe con la instalación de más equipos en orden descendente de peso, a fin de que el equipo más liviano quede instalado en la parte superior y el más pesado en la parte inferior.

## Mensagens de aviso

Se till att du monterar produkten i enlighet med instruktionerna.

Ne exceeds a capacidade de peso deste produto. Sobrecarregar este produto pode resultar em ferimentos ou danos de propriedade. Este produto pode suportar o seguinte peso: 907 kg.

Este produto destina-se apenas a uma utilização no interior e não deve ser utilizado no exterior.

Esta caixa é extremamente resistente. Nunca tente mover ou levantar esta caixa sem assistência.

Peligro de quedal! Extender vários componentes desta caixa aumenta a probabilidade desta caixa cair. Para evitar este risco, não expandir mais de um componente desta caixa.

Não colocar nenhum artigo nesta caixa e não empilhar a caixa em cima de outra caixa.

Mantém líquidos afastados desta caixa.

Esta caixa é resistente e pesa até 125 kg. Certifique-se de que instala a caixa numa área que pode suportar o peso combinado da caixa e o equipamento que pretende colocar dentro da caixa.

Este produto requer uma ligação à terra. Não utilize este produto sem uma ligação à terra.

Quando carregar equipamento neste produto, carregue primeiro o equipamento mais pesado na secção inferior deste produto. Continue a carregar equipamento numa ordem descendente de peso, de forma a que o peso mais leve seja instalado nas secções superiores deste produto e os artigos mais pesados estejam no fundo.

## Dichiarazioni di avvertenza

Assicurarsi di Assemblare il prodotto secondo le istruzioni.

Non superare la capacità di carico del prodotto. Il sovraccarico del prodotto potrebbe causare danni o lesioni. Il prodotto è in grado di sostenere il seguente peso: 907 kg.

Il prodotto è destinato all'uso in ambienti interni. Se ne sconsiglia l'impiego in ambienti esterni.

Il box esterno è molto pesante. Non tentare di spostarlo o sollevarlo senza assistenza.

Pericolo di ribaltamento! L'estensione di più componenti dal box esterno aumenta il rischio di ribaltamento del box esterno. Per evitare questo rischio, non estendere più di un componente dal box esterno.

Non collocare oggetti sul box esterno e non impliare un box esterno sopra un altro.

Tenere il box esterno lontano dai liquidi.

Il box esterno è molto pesante e può arrivare fino a 125 kg. Assicurarsi di installarlo in un punto che possa sorreggere il peso combinato del box esterno e dell'apparecchiatura che si intende collocare al suo interno.

Il prodotto richiede una messa a terra. Non utilizzare il prodotto in assenza di una messa a terra.

Quando si caricano le apparecchiature all'interno del prodotto, partire da quelle più pesanti collocandole nella parte inferiore del prodotto. Continuare l'operazione in ordine decrescente di peso. In modo che le apparecchiature più leggere siano installate nelle parti superiori del prodotto e quelle più pesanti nella parte inferiore.

## Varningsmeddelanden

Se till att du monterar produkten i enlighet med instruktionerna.

Överskrid inte produktens viktkapacitet. Överbelastning av produkten kan orsaka skada på person eller egendom. Denna produkt har stöd för följande vikter: 907 kg.

Produkten är endast avsedd för användning inomhus och ska inte användas utomhus.

Detta skåp är extremt tungt. Försök aldrig flytta på skåpet eller lyfta det utan hjälp.

Risk för vältning! Att förlänga flera komponenter från detta skåp ökar risken för att det välter. Förläng inte fler än en komponent från skåpet för att undvika risk.

Placera inte saker ovanpå skåpet och ställ inte skåpet ovanpå ett annat skåp.

Håll vätskor borta från skåpet.

Skåpet är tungt och väger upp till 125 kg. Se till att du installerar skåpet på en plats som kan hantera den kombinerade vikten av skåpet och utrustningen som du tänker placera inuti.

Produkten behöver en jordad andutning. Använd inte produkten utan en jordad anslutning.

När du lastar produkten med utrustning, ställ in den tyngsta utrustningen i den nedesta delen först. Fortsätt ställa in utrustning i viktordning, så att den lättare utrustningen installeras i de övre delarna och den tyngre utrustningen är längst ner.

## Warnhinweise

Beachten Sie bei der Montage dieses Produkts die Montageanweisungen.

Überschreiten Sie nicht die Tragkraft dieses Produkts. Ein Überladen dieses Produkts kann zu Verletzungen oder zur Beschädigung des Produkts führen. Dieses Produkt ist für die nachstehende Tragkraft ausgelegt: 907 kg.

Dieses Produkt ist nur zum Gebrauch in Innenräumen vorgesehen und sollte nicht im Freien verwendet werden.

Dieses Gehäuse ist extrem schwer. Versuchen Sie niemals, dieses Gehäuse ohne Hilfe zu bewegen oder anzuheben.

Kippgefahr! Das Ausziehen mehrerer Komponenten aus diesem Gehäuse erhöht die Chance, dass das Gehäuse umkippt. Um dies zu vermeiden, ziehen Sie niemals mehr als eine Komponente aus diesem Gehäuse aus.

Platzieren Sie keine Gegenstände auf dem Gehäuse und stapeln Sie das Gehäuse nicht auf einem anderen Gehäuse.

Halten Sie Flüssigkeiten von diesem Gehäuse fern.

Dieses Gehäuse ist schwer und wiegt bis zu 125 kg. Vergewissern Sie sich, dass der Untergrund, auf dem das Gehäuse aufgestellt wird, in der Lage ist, das Gesamtgewicht des Gehäuses und der Geräte, die Sie darin platzieren möchten, zu tragen.

Dieses Produkt erfordert einen Schutzleiteranschluss. Verwenden Sie das Produkt nicht ohne einen Schutzleiteranschluss.

Achten Sie beim Beladen des Produkts mit Geräten darauf, zunächst das schwerste Gerät an der untersten Stelle des Produkts zu platzieren. Platzieren Sie die Geräte anschließend in absteigender Reihenfolge nach ihrem Gewicht, sodass leichtere Geräte in den oberen Abschnitten dieses Produkts installiert werden und die schwereren Geräte sich unten befinden.

## 注意

必ず取扱説明書に従って本製品の組み立てを行ってください。

本製品で定められた最大積載重量を超えないようにして下さい。最大積載重量をオーバーした場合、怪我をする恐れや器物破損の恐れがあります。本製品は、以下の重量まで対応できます：907 kg。

本製品は、室内での使用を想定しています。戸外では使用しないで下さい。

本製品は、非常に重いエンクロージャです。絶対に一人で持ち上げたり動かしたりしないで下さい。

転倒注意!本製品から複数のコンポーネントが突き出した状態にしておくとエンクロージャが転倒する恐れがあります。転倒ノックを回避するために、エンクロージャからはコンポーネントが突き出さないようにして下さい。

本製品の上にも載せないで下さい。複数のエンクロージャを重ねて設置しないで下さい。

液体物をエンクロージャに近づけないようにして下さい。

本製品は、重量が125kgに達する重いエンクロージャです。エンクロージャ自身と中に積載する装置の総重量に耐えられるエリアに設置して下さい。

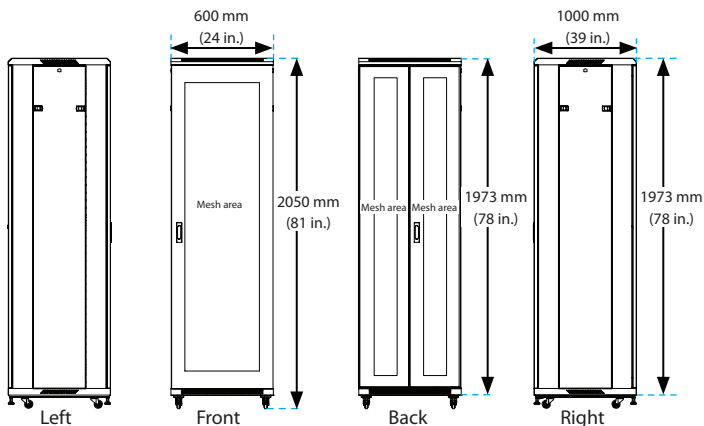
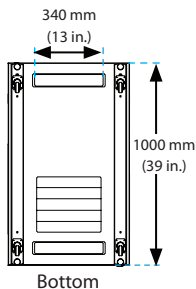
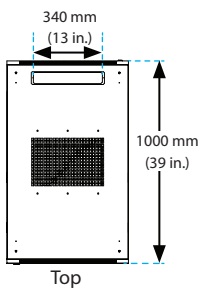
この製品にはアースが必要です。アース接続をしていない状態で本製品を使用しないでください。

本製品に装置を積載する際は、最初に最も重い装置を一番下のセクションに入れて下さい。重い装置から順に積載し、重いものが下のセクション、軽いものが上のセクションに配置されるようにして下さい。

# Table of Contents

Warnings.....	i
Product diagram .....	1
Package contents .....	2
Unpack the enclosure cabinet .....	2
Lock or unlock the front door .....	3
Ground the enclosure cabinet .....	3
Remove the side panels .....	4
Reattach the side panels.....	4
Access your cables .....	4
Reverse the front door .....	5
Adjust the depth of the mounting rails.....	6
Adjust the leveling feet.....	6
Install equipment.....	7
Technical support.....	8
Warranty information.....	8

# Product diagram



# Package contents

- 1 x enclosure cabinet
- 50 x M6 screws
- 50 x M6 cage nuts
- 50 x washers
- 1 x hex key
- 2 x side-panel keys
- 2 x door keys
- 1 x instruction manual

## Unpack the enclosure cabinet

**Warning!** The enclosure cabinet is extremely heavy and you should exercise caution when you remove it from the pallet. If you lack the necessary expertise or equipment to remove the enclosure cabinet safely, contact a professional to do it for you.

**Caution!** At least three people are required to unpack the enclosure cabinet. Do not attempt to unpack the enclosure cabinet by yourself.

1. Carefully move the shipping pallet to a firm and level surface.
2. Remove the brackets from the pallet.
3. Remove the enclosure cabinet from the pallet and place it onto a firm surface.
4. Examine the enclosure cabinet for any damage and check for missing parts. If anything is damaged or missing, contact StarTech.com. To view contact information for StarTech.com, visit [www.StarTech.com/ContactUs](http://www.StarTech.com/ContactUs).

# Lock or unlock the front door

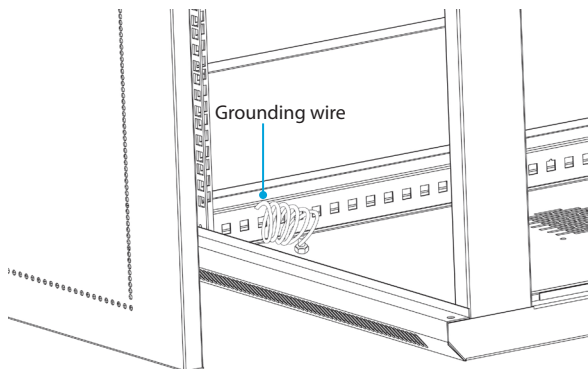
- To lock or unlock the front door of the enclosure cabinet, insert one of the provided door keys in the lock on the door and turn the key clockwise or counterclockwise.

## Ground the enclosure cabinet

**Warning!** This product must be grounded. Do not use this product without an earth ground connection.

1. Use an M6 screw to attach a grounding wire to the front or rear grounding point on the enclosure cabinet.
2. Route the wire under the frame of the enclosure cabinet and connect the wire to your facility's earth ground connection. (*figure 1*)

*figure 1*





# Remove the side panels

1. If the side panels are locked, use the provided side-panel keys to unlock the panels.
2. Pull the two tabs on the side panel towards the center of the panel.
3. Lift the side panel free from the enclosure cabinet.
4. Repeat steps 1 to 3 to remove the other side panel.

# Reattach the side panels

1. To put the side panels back on the enclosure cabinet, place one of the side panels in the groove at the bottom of the enclosure.
2. Pull the two tabs on the side panel towards the center of the panel, push the top part of the side panel into the enclosure cabinet, and release the tabs.
3. Use one of the provided side-panel keys to lock the side panel.

# Access your cables

Both the top and bottom panels of the enclosure cabinet have cable access covers that you can remove to access and manage your cables.

1. To take off a cable access cover, use a Phillips type screwdriver to remove the two screws on both ends of the cable access cover.
2. Pull the cable access cover away from the enclosure cabinet.

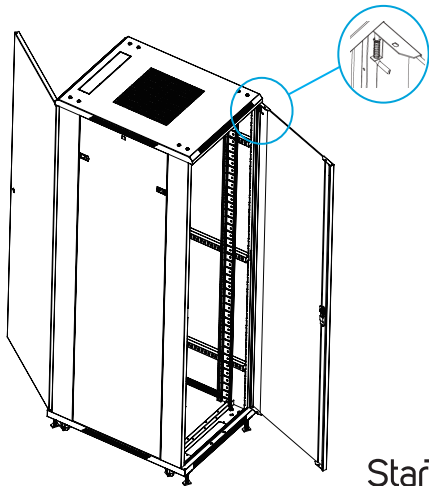
To put the cable access cover back on, place the cover over the cable access opening and use a Phillips type screwdriver to insert the screws through the cover and into the enclosure cabinet. Tighten the screws.

# Reverse the front door

To accommodate different rack configurations, you can reverse the front door of the enclosure cabinet so that it opens to the left or right. The front door of the enclosure cabinet is attached with levers that are located at the top and bottom of the front door.

1. In the top corner of the inside of the front door, pull the lever down and move the top corner of the front door away from the enclosure cabinet. (*figure 2*)
2. In the bottom corner of the inside of the front door, pull the lever up and remove the front door from the enclosure cabinet.
3. Flip the front door so that the levers are located on the opposite side.
4. Position the front door so that the top and bottom levers are aligned with the washers located in the hinge area of the enclosure cabinet.
5. In the top corner of the front door, pull the lever down and release it into the washer and hole in the enclosure cabinet.
6. In the bottom corner of the front door, pull the lever up and release it into the washer and hole in the enclosure cabinet.

*figure 2*



# Adjust the depth of the mounting rails

The mounting rails come preinstalled in the enclosure cabinet. Both the front and back sets of mounting rails can be adjusted independently in 3/4 inch (20 mm) increments to accommodate different sizes of equipment.

**Warning!** Do not attempt to adjust the mounting rails when equipment is installed in the enclosure cabinet. Remove the equipment first before you adjust the mounting rails.

1. Each of the mounting rails is connected to the enclosure cabinet with a screw and cage nut in the upper and lower corners of the mounting rail. Use a Phillips type screwdriver to remove the screws and cage nuts from the mounting rails.
2. Install the cage nuts at the desired depth.
3. Slide the mounting rail to the depth of the cage nuts and use a Phillips type screwdriver to install and tighten the screws that you removed in step 1.

# Adjust the leveling feet

**Warning!** Remove any equipment from the enclosure cabinet before you adjust the leveling feet.

The enclosure cabinet ships assembled with both casters and leveling feet installed.

- To adjust the leveling feet, use the provided hex key to turn the screws located in each of the four corners on the inside of the enclosure cabinet.

**Caution!** Make sure that all four of the leveling feet are set to the same height before you start to load equipment into the enclosure cabinet.

# Install equipment

**Warning!** When you load equipment into the enclosure cabinet, load the heaviest equipment in the bottom section of the rack first. Continue loading equipment in a descending order of weight, so that the lighter equipment is installed in the upper sections of the enclosure cabinet and the heavier items are on the bottom.

The weight capacity of this enclosure is 2000 lb. (907 kg).

This enclosure cabinet comes with M6 cage nuts and screws but the equipment you're installing may come with mounting hardware. Consult the documentation that came with the equipment to determine the best mounting hardware that you should use and how you should install it.

1. Insert the M6 cage nuts in the vertical rails.
2. Line up the mounting holes on the equipment with the M6 cage nuts.
3. Insert the M6 screws through the mounting holes on the equipment and into the M6 cage nuts.

# Technical support

StarTech.com's lifetime technical support is an integral part of our commitment to provide industry-leading solutions. If you ever need help with your product, visit [www.startech.com/support](http://www.startech.com/support) and access our comprehensive selection of online tools, documentation, and downloads.

For the latest drivers/software, please visit [www.startech.com/downloads](http://www.startech.com/downloads)

## Warranty information

This product is backed by a five-year warranty.

StarTech.com warrants its products against defects in materials and workmanship for the periods noted, following the initial date of purchase. During this period, the products may be returned for repair, or replacement with equivalent products at our discretion. The warranty covers parts and labor costs only. StarTech.com does not warrant its products from defects or damages arising from misuse, abuse, alteration, or normal wear and tear.

### Limitation of liability

In no event shall the liability of StarTech.com Ltd. and StarTech.com USA LLP (or their officers, directors, employees or agents) for any damages (whether direct or indirect, special, punitive, incidental, consequential, or otherwise), loss of profits, loss of business, or any pecuniary loss, arising out of or related to the use of the product exceed the actual price paid for the product. Some states do not allow the exclusion or limitation of incidental or consequential damages. If such laws apply, the limitations or exclusions contained in this statement may not apply to you.

Hard-to-find made easy. At StarTech.com, that isn't a slogan. It's a promise.

StarTech.com is your one-stop source for every connectivity part you need. From the latest technology to legacy products — and all the parts that bridge the old and new — we can help you find the parts that connect your solutions.

We make it easy to locate the parts, and we quickly deliver them wherever they need to go. Just talk to one of our tech advisors or visit our website. You'll be connected to the products you need in no time.

Visit [www.startech.com](http://www.startech.com) for complete information on all StarTech.com products and to access exclusive resources and time-saving tools.

*StarTech.com is an ISO 9001 Registered manufacturer of connectivity and technology parts. StarTech.com was founded in 1985 and has operations in the United States, Canada, the United Kingdom and Taiwan servicing a worldwide market.*