

Quick Setup Guide

To register this product please visit www.samsung.com



BN68-17239E-00

1. List of Parts

The provided accessories may vary depending on the model.

- Remote Control & Batteries (AAA x 2)
- Power Cord
- Warranty Card / Quick Setup Guide / Regulatory Guide (Not available in some locations)
- Data Cable (Not available in some locations)
- Antenna adapter (Not available in some locations)

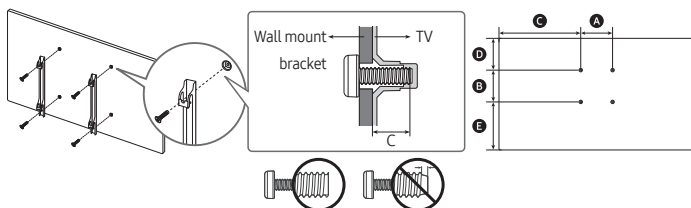
2. Wall Mount Kit Specifications (VESA)

Install your wall mount on a solid wall, perpendicular to the floor. When attaching to other building materials, please contact your nearest dealer. If installing on a ceiling or slanted wall, TV may fall and result in severe personal injury.

- The wall mount kit is not supplied, but sold separately.
- Standard dimensions for wall mount kits are shown in the table below.
- Samsung wall mount kits contain a detailed installation manual. All parts necessary for assembly are provided.

⚠ Do not install your wall mount kit while your TV is turned on. This may result in personal injury from electric shock.

- Do not use screws that are longer than the standard dimension or do not comply with the VESA standard screw specifications. Screws that are too long may cause damage to the inside of the TV set.
- For wall mounts that do not comply with the VESA standard screw specifications, the length of the screws may differ depending on the wall mount specifications.
- Do not fasten the screws too firmly. This may damage the product or cause the product to fall, leading to personal injury. Samsung is not liable for these kinds of accidents.
- Samsung is not liable for product damage or personal injury when a non-VESA or non-specified wall mount is used or when the consumer fails to follow the product installation instructions.
- Do not mount the TV at more than a 15 degree tilt.
- Always have two people mount the TV onto a wall.



- The Product shape may differ depending on the model.

TV size in inches	VESA screw hole specs (A * B) in millimetres	C (mm)	D (mm)	E (mm)	C (mm)	Standard Screw	Quantity
43	200 x 200	379.3	90.4	262.0	20-22	M8	4
50		455.7	148.7	292.3			
55		512.7	205.2	298.9			
65	400 x 300	522.5	225.1	303.0			
75	400 x 400	633.9	230.9	324.2			



THIS PRODUCT SHOULD BE MOUNTED OR ANCHORED TO A WALL OR OTHER SUITABLE SURFACE TO AVOID SERIOUS INJURY.

To help avoid any serious or fatal injury, we strongly recommend that this product be permanently mounted or anchored to the wall or other suitable surface. Anchoring devices are not included since different surface materials require different attachments. Please seek professional advice if you are in doubt about mounting this product or what anchoring device to use.

Serious injury or death can be caused by toppling furniture and TVs.

Help prevent tip-over:

- Mount or anchor this product to a wall or other suitable surface.
- Check anchors regularly.
- Avoid placing this TV on top of furniture unless both the furniture and the TV are anchored.
- Use drawer locks to prevent children climbing.

3. Specifications

Model Name	HG43CU700**	HG50CU700**	HG55CU700**
Display Resolution	3840 x 2160	3840 x 2160	3840 x 2160
Screen Size			
Measured Diagonally	108 cm	125 cm	138 cm
Sound (Output)	20 W	20 W	20 W
Dimensions (W x H x D)			
Body	96.39 x 55.89 x 5.96 cm	111.68 x 64.42 x 5.99 cm	123.05 x 70.72 x 5.99 cm
With stand	96.39 x 62.78 x 19.25 cm	111.68 x 71.91 x 25.02 cm	123.05 x 78.33 x 25.02 cm
Weight			
Without Stand	8.1 kg	11.4 kg	13.9 kg
With Stand	8.3 kg	11.6 kg	14.2 kg

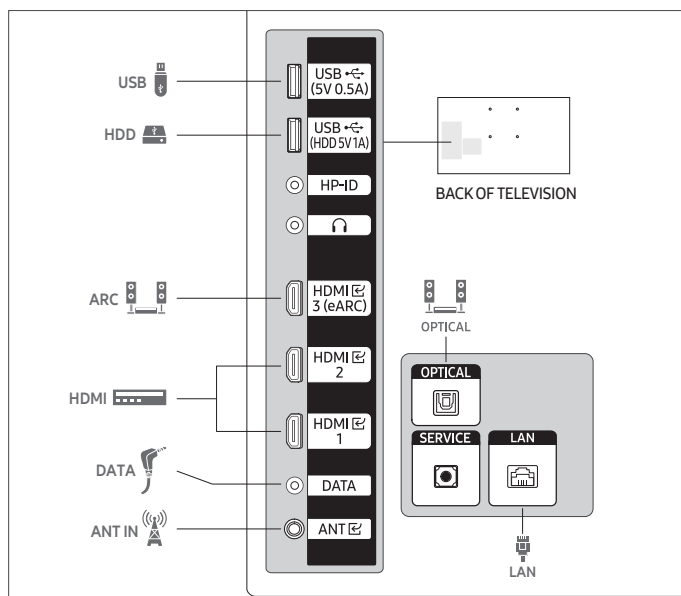
Model Name	HG65CU700**	HG75CU700**
Display Resolution	3840 x 2160	3840 x 2160
Screen Size		
Measured Diagonally	163 cm	189 cm
Sound (Output)	20 W	20 W
Dimensions (W x H x D)		
Body	144.94 x 83.03 x 5.99 cm	167.32 x 95.82 x 5.99 cm
With stand	144.94 x 90.66 x 28.21 cm	167.32 x 104.79 x 34.11 cm
Weight		
Without Stand	20.6 kg	30.4 kg
With Stand	20.9 kg	30.8 kg

Environmental Considerations

Operating Temperature	50 °F to 104 °F (10 °C to 40 °C)
Operating Humidity	10 % to 80 %, non-condensing
Storage Temperature	-4 °F to 113 °F (-20 °C to 45 °C)
Storage Humidity	5 % to 95 %, non-condensing

- This device is a Class B digital apparatus.
- Design and specifications are subject to change without prior notice.
- For information about the power supply, and more information about power consumption, refer to the information on the label attached to the product.
 - On most models, the label is attached to the back of the TV. (On some models, the label is inside the cover terminal.)
- To connect a LAN cable, use a CAT 7 (*STP type) cable for the connection. (100/10 Mbps) * Shielded Twisted Pair
- Your TV and its accessories may look different than the product images presented in this manual, depending on the model.
- All drawings are not necessarily to scale. Some dimensions are subject to change without prior notice. Refer to the dimensions before installing your TV. Not responsible for typographical or printed errors.
- Download the user manual from the following Samsung Website for further details. <http://www.samsung.com>

4. The Connection Panel

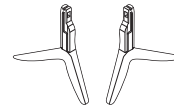


- The colour and shape of the product may differ depending on the model or geographical area.

5. Installing the LED TV Stand

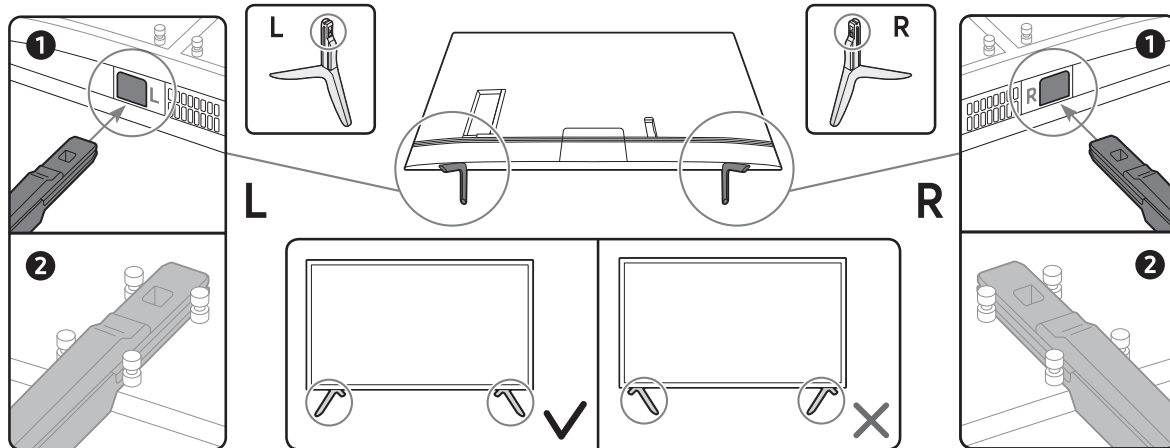
Assembling the Stand and Components

When installing the stand, use the provided components and parts.

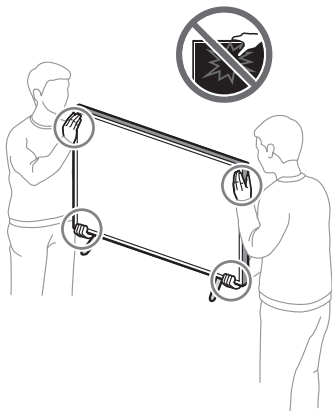


Stand

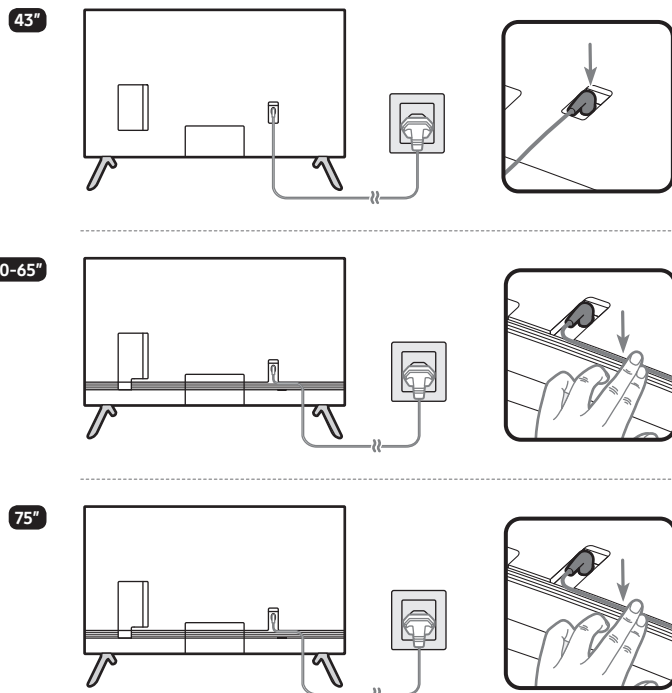
1



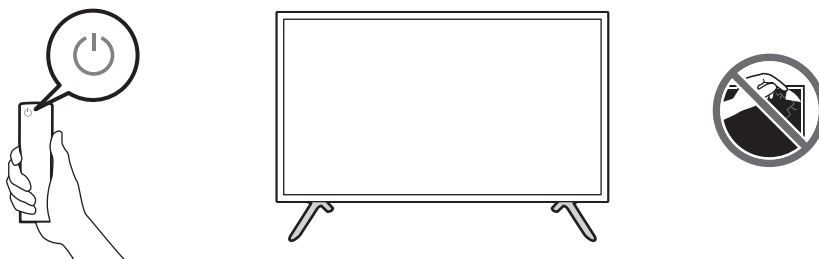
2



3



4



NOTE

- Make sure to distinguish between the front and back of each component when assembling them.
- Make sure that at least two persons lift and move the TV.