



ThinkCentre Hardware Maintenance Manual



ThinkThink**ThinkCentre**Think

Machine Types: 7258, 7259, 7260, 7267, 7268, 7269, 7270, 7279, 7280,
7296, 7297, 7298, 7303, 7304, 7306, 7307, 7408, 7413,
7491, 7506, 7508, and 7514

lenovo

**ThinkCentre
Hardware Maintenance Manual**

Note: Before using this information and the product it supports, be sure to read the information under “Notices,” on page 383.

Second Edition (June 2009)

© Copyright Lenovo 2005, 2008.

Portions © Copyright International Business Machines Corporation 2005.

LENOVO products, data, computer software, and services have been developed exclusively at private expense and are sold to governmental entities as commercial items as defined by 48 C.F.R. 2.101 with limited and restricted rights to use, reproduction and disclosure.

LIMITED AND RESTRICTED RIGHTS NOTICE: If products, data, computer software, or services are delivered pursuant a General Services Administration “GSA” contract, use, reproduction, or disclosure is subject to restrictions set forth in Contract No. GS-35F-05925.

Contents

Chapter 1. About this manual 1

Important Safety Information	1
Important information about replacing RoHS compliant FRUs	2

Chapter 2. Safety information 3

General safety	3
Electrical safety	3
Voltage-selection switch.	5
Safety inspection guide	5
Handling electrostatic discharge-sensitive devices	6
Grounding requirements	7
Safety notices (multi-lingual translations).	7

Chapter 3. General information 39

The ThinkVantage Productivity Center program	39
Additional information resources	39
Specifications	40
Types 7258, 7260, 7268, 7270, 7280, 7296, 7298, 7304, 7307,7413, 7491, and 7508	40
Types 7259, 7267, 7269, 7279, 7297, 7303, 7306, 7487, 7506, and 7514	40

Chapter 4. General Checkout 43

Problem determination tips	43
--------------------------------------	----

Chapter 5. Diagnostics 45

Lenovo System Toolbox	45
PC-Doctor for Windows PE	45
Running diagnostics from the Rescue and Recovery workspace	45
PC-Doctor for DOS	46
Creating a diagnostic CD/DVD image	46
Running diagnostics from the disc.	46
Navigating through the diagnostics programs	46
Running tests.	46
Viewing the test log	48

Chapter 6. Using the Setup Utility 49

Starting the Setup Utility program.	49
Viewing and changing settings	49
Using passwords	49
Password considerations	49
Power-On Password	50
Privileged Access Password	50
Setting, changing, and deleting a password.	50
Enabling or disabling a device	50
Selecting a startup device.	51
Selecting a temporary startup device	51
Selecting or changing the startup device sequence	51
Advanced settings	52
Exiting from the Setup Utility program	52

Chapter 7. Symptom-to-FRU Index 53

Hard disk drive boot error	53
Power Supply Problems	53
Diagnostic error codes.	54
Beep symptoms	75
POST error codes	76
Miscellaneous error messages	78
Undetermined problems	79

Chapter 8. Replacing FRUs (Types 7258, 7260, 7268, 7270, 7280, 7296, 7298, 7304, 7307,7413, 7491, and 7508) . 81

Locations	82
Rear connectors	82
Computer components	83
System board connectors	84
Removing the computer cover	85
Removing and installing the front bezel	87
Replacing the power supply assembly	88
Replacing the system board	90
Replacing the heat sink and fan assembly	92
Replacing the microprocessor	94
Replacing a memory module	98
Installing or replacing an adapter card	100
Replacing the primary hard disk drive	102
Replacing the secondary hard disk drive	105
Replacing an optical drive	109
Replacing the diskette drive or card reader	110
Replacing the front fan assembly	112
Replacing the rear fan assembly	114
Replacing the front audio/USB assembly	116
Replacing the power switch/LED assembly	117
Replacing the CMOS battery	118
Replacing the Internal speaker.	119
Completing the FRU replacement	120

Chapter 9. Replacing FRUs (Types 7259, 7267, 7269, 7279, 7290, 7297, 7303, 7306, 7408, 7487, 7506 and 7514) 121

Locations	122
Rear connectors	122
Computer components	123
System board connectors	124
Opening the cover.	125
Accessing system board components and drives	126
Replacing a memory module	127
Replacing the battery.	128
Replacing the power supply	129
Replacing the system board	131
Replacing the microprocessor	134
Replacing the heat sink and fan assembly	137
Replacing the hard disk drive	138
Replacing the optical drive	141
Replacing the internal speaker.	144

Replacing the power switch/LED assembly	145
Replacing the card reader	146
Installing or replacing an adapter card	147
Completing the FRU replacement	150

Chapter 10. FRU lists 151

Machine Type 7258	151
Machine Type 7259	163
Machine Type 7260	174
Machine Type 7267	185
Machine Type 7268	196
Machine Type 7269	207
Machine Type 7270	218
Machine Type 7279	229
Machine Type 7296	240
Machine Type 7297	251
Machine Type 7298	262
Machine Type 7303	274
Machine Type 7304	286
Machine Type 7306	297
Machine Type 7307	308
Machine Type 7408	320
Machine Type 7491	331
Machine Type 7506	343
Machine Type 7508	354

Machine Type 7514	366
Special bid information	376

Chapter 11. Additional Service Information 379

Security features	379
Hardware controlled Passwords	379
Operating system password	379
Vital product data	379
BIOS levels	379
Flash update procedures.	379
Updating (flashing) BIOS from a disc	380
Updating (flashing) BIOS from your operating system	380
Recovering from a POST/BIOS update failure	380
Power management	382
Automatic configuration and power interface (ACPI) BIOS.	382
Automatic Power-On features	382

Appendix. Notices 383

Television output notice	384
Trademarks	384

Chapter 1. About this manual

This manual contains service and reference information for ThinkCentre® computers listed on the cover. It is intended only for trained servicers who are familiar with Lenovo® computer products.

Before servicing a Lenovo product, be sure to read the Safety Information. See Chapter 2, "Safety information," on page 3.

The Symptom-to-FRU Index and Additional Service Information chapters are not specific to any machine type and are applicable to all ThinkCentre computers.

This manual includes a complete FRU part number listing for each machine type and model listed on the cover. If you have internet access, FRU part numbers are also available at:

<http://www.lenovo.com/support>

Important Safety Information

Be sure to read all caution and danger statements in this book before performing any of the instructions.

Veillez lire toutes les consignes de type DANGER et ATTENTION du présent document avant d'exécuter les instructions.

Lesen Sie unbedingt alle Hinweise vom Typ "ACHTUNG" oder "VORSICHT" in dieser Dokumentation, bevor Sie irgendwelche Vorgänge durchführen

Leggere le istruzioni introdotte da ATTENZIONE e PERICOLO presenti nel manuale prima di eseguire una qualsiasi delle istruzioni

Certifique-se de ler todas as instruções de cuidado e perigo neste manual antes de executar qualquer uma das instruções

Es importante que lea todas las declaraciones de precaución y de peligro de este manual antes de seguir las instrucciones.

. تأكد من قراءة كل التحذيرات الموجودة في هذا الكتاب قبل اتباع هذه التعليمات .

执行任何说明之前，请确保已阅读本书中的所有警告和危险声明。

執行任何指示前，請確實閱讀本書中的所有警告及危險聲明。

.ודאו שקראתם את כל הודעות האזהרה והסכנה במסמך זה לפני שתבצעו פעולה כלשהי.

본 사용 설명서에 기재된 내용을 실행하기 전에 모든 주의사항 및 위험사항을 숙지하십시오.

Important information about replacing RoHS compliant FRUs

RoHS, The Restriction of Hazardous Substances in Electrical and Electronic Equipment Directive (2002/95/EC) is a European Union legal requirement affecting the global electronics industry. RoHS requirements must be implemented on Lenovo products placed on the market and sold in the European Union after June 2006. Products on the market before June 2006 are not required to have RoHS compliant parts. If the parts are not compliant originally, replacement parts can also be noncompliant, but in all cases, if the parts are compliant, the replacement parts must also be compliant.

Note: RoHS and non-RoHS FRU part numbers with the same fit and function are identified with unique FRU part numbers.

Lenovo plans to transition to RoHS compliance well before the implementation date and expects its suppliers to be ready to support Lenovo's requirements and schedule in the EU. Products sold in 2005, will contain some RoHS compliant FRUs. The following statement pertains to these products and any product Lenovo produces containing RoHS compliant parts.

RoHS compliant ThinkCentre parts have unique FRU part numbers. Before or after June, 2006, failed RoHS compliant parts must always be replaced using RoHS compliant FRUs, so only the FRUs identified as compliant in the system HMM or direct substitutions for those FRUs can be used.

Products marketed before June 2006		Products marketed after June 2006	
Current or original part	Replacement FRU	Current or original part	Replacement FRU
Non-RoHS	Can be Non-RoHS	Must be RoHS	Must be RoHS
Non-RoHS	Can be RoHS		
Non-RoHS	Can sub to RoHS		
RoHS	Must be RoHS		

Note: A direct substitution is a part with a different FRU part number that is automatically shipped by the distribution center at the time of order.

Chapter 2. Safety information

This chapter contains the safety information that you need to be familiar with before servicing a computer.

General safety

Follow these rules to ensure general safety:

- Observe good housekeeping in the area of the machines during and after maintenance.
- When lifting any heavy object:
 1. Ensure you can stand safely without slipping.
 2. Distribute the weight of the object equally between your feet.
 3. Use a slow lifting force. Never move suddenly or twist when you attempt to lift.
 4. Lift by standing or by pushing up with your leg muscles; this action removes the strain from the muscles in your back. *Do not attempt to lift any objects that weigh more than 16 kg (35 lb) or objects that you think are too heavy for you.*
- Do not perform any action that causes hazards to the customer, or that makes the equipment unsafe.
- Before you start the machine, ensure that other service representatives and the customer's personnel are not in a hazardous position.
- Place removed covers and other parts in a safe place, away from all personnel, while you are servicing the machine.
- Keep your tool case away from walk areas so that other people will not trip over it.
- Do not wear loose clothing that can be trapped in the moving parts of a machine. Ensure that your sleeves are fastened or rolled up above your elbows. If your hair is long, fasten it.
- Insert the ends of your necktie or scarf inside clothing or fasten it with a nonconductive clip, approximately 8 centimeters (3 inches) from the end.
- Do not wear jewelry, chains, metal-frame eyeglasses, or metal fasteners for your clothing.
Remember: Metal objects are good electrical conductors.
- Wear safety glasses when you are: hammering, drilling soldering, cutting wire, attaching springs, using solvents, or working in any other conditions that might be hazardous to your eyes.
- After service, reinstall all safety shields, guards, labels, and ground wires. Replace any safety device that is worn or defective.
- Reinstall all covers correctly before returning the machine to the customer.

Electrical safety



CAUTION:

Electrical current from power, telephone, and communication cables can be hazardous. To avoid personal injury or equipment damage, disconnect the attached power cords, telecommunication systems, networks, and modems before you open the server/workstation covers, unless instructed otherwise in the installation and configuration procedures.

Observe the following rules when working on electrical equipment.

Important: Use only approved tools and test equipment. Some hand tools have handles covered with a soft material that does not insulate you when working with live electrical currents.

Many customers have, near their equipment, rubber floor mats that contain small conductive fibers to decrease electrostatic discharges. Do not use this type of mat to protect yourself from electrical shock.

- Find the room emergency power-off (EPO) switch, disconnecting switch, or electrical outlet. If an electrical accident occurs, you can then operate the switch or unplug the power cord quickly.
- Do not work alone under hazardous conditions or near equipment that has hazardous voltages.
- Disconnect all power before:
 - Performing a mechanical inspection
 - Working near power supplies
 - Removing or installing Field Replaceable Units
- Before you start to work on the machine, unplug the power cord. If you cannot unplug it, ask the customer to power-off the wall box that supplies power to the machine and to lock the wall box in the off position.
- If you need to work on a machine that has exposed electrical circuits, observe the following precautions:
 - Ensure that another person, familiar with the power-off controls, is near you.
Remember: Another person must be there to switch off the power, if necessary.
 - Use only one hand when working with powered-on electrical equipment; keep the other hand in your pocket or behind your back.
Remember: There must be a complete circuit to cause electrical shock. By observing the above rule, you may prevent a current from passing through your body.
 - When using testers, set the controls correctly and use the approved probe leads and accessories for that tester.
 - Stand on suitable rubber mats (obtained locally, if necessary) to insulate you from grounds such as metal floor strips and machine frames.

Observe the special safety precautions when you work with very high voltages; these instructions are in the safety sections of maintenance information. Use extreme care when measuring high voltages.

- Regularly inspect and maintain your electrical hand tools for safe operational condition.
- Do not use worn or broken tools and testers.
- *Never assume* that power has been disconnected from a circuit. First, *check* that it has been powered-off.

- Always look carefully for possible hazards in your work area. Examples of these hazards are moist floors, nongrounded power extension cables, power surges, and missing safety grounds.
- Do not touch live electrical circuits with the reflective surface of a plastic dental mirror. The surface is conductive; such touching can cause personal injury and machine damage.
- Do not service the following parts with the power on when they are removed from their normal operating places in a machine:
 - Power supply units
 - Pumps
 - Blowers and fans
 - Motor generatorsand similar units. (This practice ensures correct grounding of the units.)
- If an electrical accident occurs:
 - Use caution; do not become a victim yourself.
 - Switch off power.
 - Send another person to get medical aid.

Voltage-selection switch

Some computers are equipped with a voltage-selection switch located near the power-cord connection point on the computer. If your computer has a voltage-selection switch, ensure that you set the switch to match the voltage available at your electrical outlet. Setting the voltage-selection switch incorrectly can cause permanent damage to the computer.

If your computer does not have a voltage-selection switch, your computer is designed to operate only at the voltage provided in the country or region where the computer was originally purchased.

If you relocate your computer to another country, be aware of the following:

- If your computer does not have a voltage-selection switch, do not connect the computer to an electrical outlet until you have verified that the voltage provided is the same as it was in the country or region where the computer was originally purchased.
- If your computer has a voltage selection switch, do not connect the computer to an electrical outlet until you have verified that the voltage-selection switch is set to match the voltage provided in that country or region.

If you are not sure of the voltage provided at your electrical outlet, contact your local electric company or refer to official Web sites or other literature for travelers to the country or region where you are located.

Safety inspection guide

The intent of this inspection guide is to assist you in identifying potentially unsafe conditions on these products. Each machine, as it was designed and built, had required safety items installed to protect users and service personnel from injury. This guide addresses only those items. However, good judgment should be used to identify potential safety hazards due to attachment of features or options not covered by this inspection guide.

If any unsafe conditions are present, you must determine how serious the apparent hazard could be and whether you can continue without first correcting the problem.

Consider these conditions and the safety hazards they present:

- Electrical hazards, especially primary power (primary voltage on the frame can cause serious or fatal electrical shock).
- Explosive hazards, such as a damaged CRT face or bulging capacitor
- Mechanical hazards, such as loose or missing hardware

The guide consists of a series of steps presented in a checklist. Begin the checks with the power off, and the power cord disconnected.

Checklist:

1. Check exterior covers for damage (loose, broken, or sharp edges).
2. Power-off the computer. Disconnect the power cord.
3. Check the power cord for:
 - a. A third-wire ground connector in good condition. Use a meter to measure third-wire ground continuity for 0.1 ohm or less between the external ground pin and frame ground.
 - b. The power cord should be the appropriate type as specified in the parts listings.
 - c. Insulation must not be frayed or worn.
4. Remove the cover.
5. Check for any obvious alterations. Use good judgment as to the safety of any alterations.
6. Check inside the unit for any obvious unsafe conditions, such as metal filings, contamination, water or other liquids, or signs of fire or smoke damage.
7. Check for worn, frayed, or pinched cables.
8. Check that the power-supply cover fasteners (screws or rivets) have not been removed or tampered with.

Handling electrostatic discharge-sensitive devices

Any computer part containing transistors or integrated circuits (ICs) should be considered sensitive to electrostatic discharge (ESD). ESD damage can occur when there is a difference in charge between objects. Protect against ESD damage by equalizing the charge so that the machine, the part, the work mat, and the person handling the part are all at the same charge.

Notes:

1. Use product-specific ESD procedures when they exceed the requirements noted here.
2. Make sure that the ESD protective devices you use have been certified (ISO 9000) as fully effective.

When handling ESD-sensitive parts:

- Keep the parts in protective packages until they are inserted into the product.
- Avoid contact with other people while handling the part.
- Wear a grounded wrist strap against your skin to eliminate static on your body.

- Prevent the part from touching your clothing. Most clothing is insulative and retains a charge even when you are wearing a wrist strap.
- Use the black side of a grounded work mat to provide a static-free work surface. The mat is especially useful when handling ESD-sensitive devices.
- Select a grounding system, such as those listed below, to provide protection that meets the specific service requirement.

Note: The use of a grounding system is desirable but not required to protect against ESD damage.

- Attach the ESD ground clip to any frame ground, ground braid, or green-wire ground.
- Use an ESD common ground or reference point when working on a double-insulated or battery-operated system. You can use coax or connector-outside shells on these systems.
- Use the round ground-prong of the ac plug on ac-operated computers.

Grounding requirements

Electrical grounding of the computer is required for operator safety and correct system function. Proper grounding of the electrical outlet can be verified by a certified electrician.

Safety notices (multi-lingual translations)

The caution and danger safety notices in this section are provided in the following languages:

- English
- Arabic
- Brazilian/Portuguese
- Chinese (simplified)
- Chinese (traditional)
- French
- German
- Hebrew
- Italian
- Korean
- Spanish



DANGER

Electrical current from power, telephone and communication cables is hazardous.

To avoid a shock hazard:

- **Do not connect or disconnect any cables or perform installation, maintenance, or reconfiguration of this product during an electrical storm.**
- **Connect all power cords to a properly wired and grounded electrical outlet.**

- **Connect to properly wired outlets any equipment that will be attached to this product.**
- **When possible, use one hand only to connect or disconnect signal cables.**
- **Never turn on any equipment when there is evidence of fire, water, or structural damage.**
- **Disconnect the attached power cords, telecommunications systems, networks, and modems before you open the device covers, unless instructed otherwise in the installation and configuration procedures.**
- **Connect and disconnect cables as described in the following tables when installing, moving, or opening covers on this product or attached devices.**

To Connect	To Disconnect
<ol style="list-style-type: none"> 1. Turn everything OFF. 2. First, attach all cables to devices. 3. Attach signal cables to connectors. 4. Attach power cords to outlet. 5. Turn device ON. 	<ol style="list-style-type: none"> 1. Turn everything OFF. 2. First, remove power cords from outlet. 3. Remove signal cables from connectors. 4. Remove all cables from devices.



CAUTION:

When replacing the lithium battery, use only Part Number 33F8354 or an equivalent type battery recommended by the manufacturer. If your system has a module containing a lithium battery, replace it only with the same module type made by the same manufacturer. The battery contains lithium and can explode if not properly used, handled, or disposed of.

Do not:

- Throw or immerse into water
- Heat to more than 100°C (212°F)
- Repair or disassemble

Dispose of the battery as required by local ordinances or regulations.



CAUTION:

When laser products (such as CD-ROMs, DVD-ROM drives, fiber optic devices, or transmitters) are installed, note the following:

- Do not remove the covers. Removing the covers of the laser product could result in exposure to hazardous laser radiation. There are no serviceable parts inside the device.
- Use of controls or adjustments or performance of procedures other than those specified herein might result in hazardous radiation exposure.



DANGER: Some laser products contain an embedded Class 3A or Class 3B laser diode. Note the following:

Laser radiation when open. Do not stare into the beam, do not view directly with optical instruments, and avoid direct exposure to the beam.



≥18 kg (37 lbs)



≥32 kg (70.5 lbs)



≥55 kg (121.2 lbs)

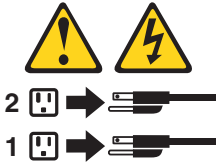
CAUTION:

Use safe practices when lifting.



CAUTION:

The power control button on the device and the power switch on the power supply do not turn off the electrical current supplied to the device. The device also might have more than one power cord. To remove all electrical current from the device, ensure that all power cords are disconnected from the power source.





خطر

التيار الكهربى الموجود بمصدر الطاقة أو أجهزة التليفون أو أسلاك الإتصالات يشكل خطورة.

لتفادي مخاطر الصدمات الكهربائية:

لا تحاول توصيل أو فصل أي أسلاك أو القيام بعمليات تركيب أو صيانة أو إعادة توصيف لهذا المنتج أثناء وجود عاصفة كهربائية.

يجب توصيل كل أسلاك الكهرباء في مخارج كهرباء ذات توصيلات أسلاك وتوصيلات أرضية صحيحة
يجب توصيل أي جهاز سيتم الحاقه بهذا المنتج في مخارج كهرباء ذات توصيلات أسلاك صحيحة.

وإن أمكن يجب استخدام يد واحدة فقط في توصيل أو فصل أسلاك الإشارة.

لا تحاول تشغيل أي جهاز إذا كان هناك أثر لحرق أو مياه أو تلف بالمكونات

يجب فصل أسلاك الكهرباء وأنظمة الاتصالات وشبكات الاتصال وأجهزة المودم الملحقة قبل فتح أغطية الجهاز، ما لم يتم طلب خلاف ذلك في التعليمات الخاصة بالتركيب والتوصيف.
قم بتوصيل وفصل الأسلاك كما هو موضح في الجدول التالي وذلك عند القيام بعمليات التركيب أو النقل أو فتح أغطية هذا المنتج أو الأجهزة الملحقة.

للفصل:

- قم بإيقاف كل شيء.
- أولاً، قم بفصل كل أسلاك الكهرباء من المخرج.
- قم بفصل أسلاك الإشارة من الموصلات.
- قم بفصل كل الأسلاك من الأجهزة.

للتوصيل:

- قم بإيقاف كل شيء.
- أولاً، قم بتوصيل كل الأسلاك بالأجهزة.
- قم بتوصيل أسلاك الإشارة في لموصلات.
- قم بتوصيل أسلاك الكهرباء في المخارج.
- قم بتشغيل الجهاز.



تنبيه :

عند استبدال البطارية الليثيوم، استخدم فقط رقم الجزء الخاص **Part Number 33F8354** أو نوع آخر يكون على نفس مستوى الكفاءة يحدده لك المصنع.
إذا كان النظام الخاص يستخدم معه بطارية ليثيوم قم باستبدالها بنفس النوع الذي تم صناعته من خلال نفس المصنع. تحتوي البطارية على مادة الليثيوم ويمكن أن تنفجر في حالة عدم استخدامها أو التعامل معها بطريقة صحيحة أو عند التخلص منها بطريقة خطأ.

لا تَقم بـ:

- الفاء البطارية أو غمرها في الماء
- تسخينها أعلى من ١٠٠ درجة مئوية و(٢١٢ ° فهرنهايت)
- بتصليحها أو فكها

تخلص من البطارية طبقاً للقانون أو النظام المحلي .



تنبيه :

أثناء تركيب منتجات ليزر (مثل CD-ROMs أو وحدة تشغيل DVD أو أجهزة Fiber Optic أو وحدات الإرسال) يجب مراعاة الآتي:

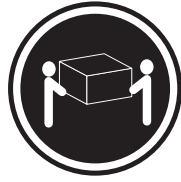
لا تنزع الأغطية. قد ينتج عن نزع أغطية منتج الليزر انفجار أشعة الليزر شديدة الخطورة.
لا يوجد أجزاء يمكن تغييرها داخل الجهاز. قد ينتج عن استخدام تحكيمات أو تعديلات أو عمل أي تصرفات أخرى تخالف ما هو محدد هنا إلى انفجار أشعة شديدة الخطورة.



خطر

تحتوي بعض منتجات الليزر على الفئة دايود ليزر مدمج من الفئة **Class 3A** أو **Class 3B**. يجب مراعاة الآتي .

أشعة الليزر عند الفتح. لا تحدد إلى الإشعاع و لا تنظر إليه مباشرة بواسطة أي أجهزة مرئية وتجنب التعرض المباشر للإشعاع .



≥18 kg (37 lbs)



≥32 kg (70.5 lbs)

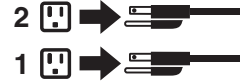


≥55 kg (121.2 lbs)

تنبيه :
يجب استخدام ممارسات آمنة عند الرفع



تنبيهه :
لا يرقم زر التحكم في التشغيل الموجود على الجهاز والمفتاح الكهربائي الموجود على لوحة التحكم بإيقاف التيار الكهربائي المار بالجهاز. قد يكون للجهاز أكثر من سلك كهربائي واحد. لايقاف التيار الكهربائي المار بالجهاز، تأكد من فصل جميع أسلاك الكهرباء من مصدر الكهرباء .





PERIGO

A corrente elétrica proveniente de cabos de alimentação, de telefone e de comunicações é perigosa.

Para evitar risco de choque elétrico:

- Não conecte nem desconecte nenhum cabo ou execute instalação, manutenção ou reconfiguração deste produto durante uma tempestade com raios.
- Conecte todos os cabos de alimentação a tomadas elétricas corretamente instaladas e aterradas.
- Todo equipamento que for conectado a este produto deve ser conectado a tomadas corretamente instaladas.
- Quando possível, utilize apenas uma das mãos para conectar ou desconectar cabos de sinal.
- Nunca ligue nenhum equipamento quando houver evidência de fogo, água ou danos estruturais.
- Antes de abrir tampas de dispositivos, desconecte cabos de alimentação, sistemas de telecomunicação, redes e modems conectados, a menos que especificado de maneira diferente nos procedimentos de instalação e configuração.
- Conecte e desconecte os cabos conforme descrito na tabela apresentada a seguir ao instalar, mover ou abrir tampas deste produto ou de dispositivos conectados.

Para Conectar:	Para Desconectar:
<ol style="list-style-type: none">1. DESLIGUE Tudo.2. Primeiramente, conecte todos os cabos aos dispositivos.3. Conecte os cabos de sinal aos conectores.4. Conecte os cabos de alimentação às tomadas.5. LIGUE os dispositivos.	<ol style="list-style-type: none">1. DESLIGUE Tudo.2. Primeiramente, remova os cabos de alimentação das tomadas.3. Remova os cabos de sinal dos conectores.4. Remova todos os cabos dos dispositivos.



CUIDADO:

Ao substituir a bateria de lítio, utilize apenas uma bateria com Número de Peça 33F8354 ou um tipo de bateria equivalente recomendado pelo Se o seu sistema possui um módulo com uma bateria de lítio, substitua-o apenas por um módulo do mesmo tipo e do mesmo fabricante. A bateria contém lítio e pode explodir se não for utilizada, manuseada ou descartada de maneira correta.

Não:

- Jogue ou coloque na água
- Aqueça a mais de 100°C (212°F)
- Conserte nem desmonte

Descarte a bateria conforme requerido pelas leis ou regulamentos locais.



PRECAUCIÓN:

Quando produtos a laser (como unidades de CD-ROMs, unidades de DVD-ROM, dispositivos de fibra ótica ou transmissores) estiverem instalados, observe o seguinte:

- Não remova as tampas. A remoção das tampas de um produto a laser pode resultar em exposição prejudicial à radiação de laser. Não existem peças que podem ser consertadas no interior do dispositivo.
- A utilização de controles ou ajustes ou a execução de procedimentos diferentes dos especificados aqui pode resultar em exposição prejudicial à radiação.

PERIGO

Alguns produtos a laser contêm diodo de laser integrado da Classe 3A ou da Classe 3B. Observe o seguinte:

Radiação a laser quando aberto. Não olhe diretamente para o feixe a olho nu ou com instrumentos ópticos e evite exposição direta ao feixe.



≥18 kg (37 lbs)



≥32 kg (70.5 lbs)



≥55 kg (121.2 lbs)

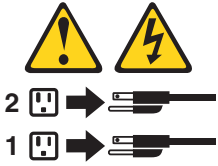
CUIDADO:

Utilize procedimentos de segurança para levantar equipamentos.



CUIDADO:

O botão de controle de alimentação do dispositivo e o botão para ligar/desligar da fonte de alimentação não desligam a corrente elétrica fornecida ao dispositivo. O dispositivo também pode ter mais de um cabo de alimentação. Para remover toda a corrente elétrica do dispositivo, assegure que todos os cabos de alimentação estejam desconectados da fonte de alimentação.





危险

电源、电话和通信电缆中的电流是危险的。

为避免电击危险：

- 请勿在雷电期间连接或断开任何电缆的连接，或者对本产品进行安装、维护或重新配置。
- 将所有电源线连接到正确连线和妥善接地的电源插座。
- 将所有要连接到该产品的设备连接到正确连线的插座。
- 如果可能，请仅使用一只手来连接或断开信号电缆的连接。
- 切勿在有火、水、结构损坏迹象的情况下开启任何设备。
- 在打开设备外盖之前请断开已连接的电源线、远程通信系统、网络和调制解调器，除非在安装和配置过程中另有说明。
- 当安装、移动或打开该产品或连接设备的外盖时，请按照下表所述来连接或断开电缆的连接。

要连接	要断开连接
<ol style="list-style-type: none">1. 切断所有电源。2. 首先将所有电缆连接到设备。3. 将信号电缆连接到接口。4. 将电源线连接到插座。5. 开启设备。	<ol style="list-style-type: none">1. 切断所有电源。2. 首先从插座上拔出电源线。3. 从接口上拔出信号电缆。4. 从设备上拔出所有电缆。



警告：

更换锂电池时，请仅使用部件号为 33F8354 的电池或制造商推荐的同类电池。如果您的系统有包含锂电池的模块，请仅使用同一制造商生产的相同模块类型来替换该模块。该电池中含有锂，如果使用、操作或处理不当，可能会发生爆炸。

切勿：

- 投入或浸入水中
- 加热到 100 °C (212 °F) 以上
- 维修或拆卸

请按照当地法令或条例的要求处理电池。



警告：
安装激光产品（例如 CD-ROM、DVD-ROM 驱动器、光纤设备或发射设备）时，
请注意以下声明：

- 请勿卸下外盖。卸下激光产品的外盖可能导致遭受激光辐射的危险。该设备内没有可维修的部件。
- 如果不按照此处指定的过程进行控制、调整或操作，则有可能导致遭受辐射的危险。



危险

某些激光产品包含嵌入式 3A 类或 3B 类激光二极管。请注意以下声明：

打开后有激光辐射。请勿注视光束，请勿直接用光学仪器查看，并请避免直接暴露在光束中。



≥18 千克 (37 磅)



≥32 千克 (70.5 磅)



≥55 千克 (121.2 磅)

警告：
抬起时请采取安全措施。



警告：
设备上的电源控制按钮和电源上的电源开关不会切断供给该设备的电流。该设备还可能有多条电源线。要切断该设备的所有电流，请确保所有电源线都与电源断开连接。





危險

電源、電話及通訊纜線上的電流都具有危險性。

若要避免觸電危險：

- 請勿在雷雨期間，連接或拔除纜線、執行安裝、維護或重新配置本產品。
- 將所有電源線連接到正確配線及接地的電源插座。
- 任何與本產品連接的設備都必須連接到配線妥當的電源插座。
- 請盡可能用單手連接或拔除信號線。
- 發生火災、水災或結構損害時，絕對不要開啟任何設備。
- 除非在安裝及配置程序中另有指示，否則在開啟裝置機蓋之前，請拔掉連接的電源線、電信系統、網路及數據機。
- 安裝、移動或開啟本產品或附屬裝置的機蓋時，請遵循下列說明連接及拔掉纜線。

連線	切斷連線
<ol style="list-style-type: none">1. 關閉所有開關。2. 首先，連接所有接線到裝置。3. 連接信號線到接頭。4. 連接電源線到插座。5. 開啟裝置。	<ol style="list-style-type: none">1. 關閉所有開關。2. 首先，拔掉插座上的電源線。3. 拔掉接頭上的信號線。4. 拔掉裝置上所有接線。



警告：

更換鋰電池時，請僅使用產品編號 **33F8354** 或製造商所建議的同類型電池。
如果您的系統中含有鋰電池模組，請僅使用同一家製造商所生產的相同模組進行更換。
如果未以正確方式使用、處理或棄置含鋰的電池，會有爆炸的危險。

請勿：

- 沾溼或浸入水中
 - 置於 **100C (212F)** 以上的高溫環境
 - 修理或拆開
- 請按照各地區有關廢棄電池的法令和規定處理舊電池。



警告：

- 請勿移除機蓋。移除雷射產品的機蓋，可能會導致暴露在危險的雷射輻射中。裝置內部並無可自行維修的零件。
- 利用或執行非本文中所指定的控制、調整及執行程序，可能會導致危險的輻射外洩。



危險

部分雷射產品含有內嵌式 **Class 3A** 或 **Class 3B** 雷射二極體。請注意下列事項：
在開啟光碟機時，會發生雷射輻射。請勿直視光束或用光學儀器直接檢視，並避免直接暴露在光束中。



≥ 18 公斤 (37 磅)



≥ 32 公斤 (70.5 磅)



≥ 55 公斤 (121.2 磅)

警告：
搬運時請注意安全。



警告：
裝置上的電源控制按鈕及電源供應器上的電源開關，無法關閉裝置所產生的電流。
該裝置可能有多條電源線。若要除去裝置流出的所有電流，請確認已切斷所有電源線的電源。





DANGER

Le courant électrique provenant de l'alimentation, du téléphone et des câbles de transmission peut présenter un danger.

Pour éviter tout risque de choc électrique :

- Ne manipulez aucun câble et n'effectuez aucune opération d'installation, d'entretien ou de reconfiguration de ce produit au cours d'un orage.
- Branchez tous les cordons d'alimentation sur un socle de prise de courant correctement câblé et mis à la terre.
- Branchez sur des socles de prise de courant correctement câblés tout équipement connecté à ce produit.
- Lorsque cela est possible, n'utilisez qu'une seule main pour connecter ou déconnecter les câbles d'interface.
- Ne mettez jamais un équipement sous tension en cas d'incendie ou d'inondation, ou en présence de dommages matériels.
- Avant de retirer les carters de l'unité, mettez celle-ci hors tension et déconnectez ses cordons d'alimentation, ainsi que les câbles qui la relient aux réseaux, aux systèmes de télécommunication et aux modems (sauf instruction contraire mentionnée dans les procédures d'installation et de configuration).
- Lorsque vous installez, que vous déplacez, ou que vous manipulez le présent produit ou des périphériques qui lui sont raccordés, reportez-vous aux instructions ci-dessous pour connecter et déconnecter les différents cordons.

Connexion	Déconnexion
1. Mettez les unités HORS TENSION.	1. Mettez les unités HORS TENSION.
2. Commencez par brancher tous les cordons sur les unités.	2. Débranchez les cordons d'alimentation des prises.
3. Branchez les câbles d'interface sur des connecteurs.	3. Débranchez les câbles d'interface des connecteurs.
4. Branchez les cordons d'alimentation sur des prises.	4. Débranchez tous les câbles des unités.
5. Mettez les unités SOUS TENSION.	



ATTENTION:

Remplacer la pile au lithium usagée par une pile de référence identique exclusivement, (référence 33F8354), ou suivre les instructions du fabricant qui en définit les équivalences. Si votre système est doté d'un module contenant une pile au lithium, vous devez le remplacer uniquement par un module identique, produit par le même fabricant. La pile contient du lithium et peut exploser en cas de mauvaise utilisation, de mauvaise manipulation ou de mise au rebut inappropriée.

Ne pas :

- la jeter à l'eau,
- l'exposer à des températures supérieures à 100°C,
- chercher à la réparer ou à la démonter.

Ne pas mettre la pile à la poubelle. Pour la mise au rebut, se reporter à la réglementation en vigueur.



ATTENTION:

Si des produits à laser (tels que des unités de CD-ROM, de DVD-ROM, des unités à fibres optiques, ou des émetteurs) sont installés, prenez connaissance des informations suivantes :

- Ne retirez pas le carter. En ouvrant l'unité de CD-ROM ou de DVD-ROM, vous vous exposez au rayonnement dangereux du laser. Aucune pièce de l'unité n'est réparable.
- Pour éviter tout risque d'exposition au rayon laser, respectez les consignes de réglage et d'utilisation des commandes, ainsi que les procédures décrites dans le présent manuel.



DANGER

Certains produits à laser contiennent une diode à laser intégrée de classe 3A ou 3B. Prenez connaissance des informations suivantes:

Rayonnement laser lorsque le carter est ouvert. Evitez toute exposition directe au rayon laser. Evitez de regarder fixement le faisceau ou de l'observer à l'aide d'instruments optiques.



≥18 kg (37 lbs)



≥32 kg (70.5 lbs)



≥55 kg (121.2 lbs)

ATTENTION:

Soulevez la machine avec précaution.



ATTENTION:

L'interrupteur de contrôle d'alimentation de l'unité et l'interrupteur dubloc d'alimentation ne coupent pas le courant électrique alimentant l'unité. En outre, le système peut être équipé de plusieurs cordons d'alimentation. Pour mettre l'unité hors tension, vous devez déconnecter tous les cordons de la source d'alimentation.





VORSICHT

An Netz-, Telefon- und Datenleitungen können gefährliche Spannungen anliegen.

Aus Sicherheitsgründen:

- Bei Gewitter an diesem Gerät keine Kabel anschließen oder lösen. Ferner keine Installations-, Wartungs- oder Rekonfigurationsarbeiten durchführen.
- Gerät nur an eine Schutzkontaktsteckdose mit ordnungsgemäß geerdetem Schutzkontakt anschließen.
- Alle angeschlossenen Geräte ebenfalls an Schutzkontaktsteckdosen mit ordnungsgemäß geerdetem Schutzkontakt anschließen.
- Die Signalkabel nach Möglichkeit einhändig anschließen oder lösen, um einen Stromschlag durch Berühren von Oberflächen mit unterschiedlichem elektrischem Potenzial zu vermeiden.
- Geräte niemals einschalten, wenn Hinweise auf Feuer, Wasser oder Gebäudeschäden vorliegen.
- Die Verbindung zu den angeschlossenen Netzkabeln, Telekommunikationssystemen, Netzwerken und Modems ist vor dem Öffnen des Gehäuses zu unterbrechen, sofern in den Installations- und Konfigurationsprozeduren keine anders lautenden Anweisungen enthalten sind.
- Zum Installieren, Transportieren und Öffnen der Abdeckungen des Computers oder der angeschlossenen Einheiten die Kabel gemäß der folgenden Tabelle anschließen und abziehen.

Zum Anschließen der Kabel gehen Sie wie folgt vor	Zum Abziehen der Kabel gehen Sie wie folgt vor
<ol style="list-style-type: none">1. Schalten Sie alle Einheiten AUS.2. Schließen Sie erst alle Kabel an die Einheiten an.3. Schließen Sie die Signalkabel an die Buchsen an.4. Schließen Sie die Netzkabel an die Steckdose an.5. Schalten Sie die Einheit EIN.	<ol style="list-style-type: none">1. Schalten Sie alle Einheiten AUS.2. Ziehen Sie zuerst alle Netzkabel aus den Netzsteckdosen.3. Ziehen Sie die Signalkabel aus den Buchsen.4. Ziehen Sie alle Kabel von den Einheiten ab.



CAUTION:

Eine verbrauchte Lithiumbatterie nur durch eine Batterie mit der Teilenummer 33F8354 oder eine gleichwertige, vom Hersteller empfohlene Batterie ersetzen. Enthält das System ein Modul mit einer Lithiumbatterie, dieses nur durch ein Modul desselben Typs und von demselben Hersteller ersetzen. Die Batterie enthält Lithium und kann bei unsachgemäßer Verwendung, Handhabung oder Entsorgung explodieren.

Die Batterie nicht:

- mit Wasser in Berührung bringen.
- über 100 C erhitzen.
- reparieren oder zerlegen.

Die örtlichen Bestimmungen für die Entsorgung von Sondermüll beachten.



ACHTUNG:

Bei der Installation von Lasergeräten (wie CD-ROM-Laufwerken, DVD-aufwerken, Einheiten mit Lichtwellenleitertechnik oder Sendern) Folgendes beachten:

- Die Abdeckungen nicht entfernen. Durch Entfernen der Abdeckungen des Lasergeräts können gefährliche Laserstrahlungen freigesetzt werden. Das Gerät enthält keine zu wartenden Teile.
- Werden Steuerelemente, Einstellungen oder Durchführungen von Prozeduren anders als hier angegeben verwendet, kann gefährliche Laserstrahlung auftreten.



VORSICHT

Einige Lasergeräte enthalten eine Laserdiode der Klasse 3A oder 3B. Beachten Sie Folgendes:

Laserstrahlung bei geöffneter Verkleidung. Nicht in den Strahl blicken. Keine Lupen oder Spiegel verwenden. Strahlungsbereich meiden.



≥18 kg



≥32 kg



≥55 kg

ACHTUNG:

Arbeitsschutzrichtlinien beim Anheben der Maschine beachten.



ACHTUNG:

Mit dem Netzschalter an der Einheit und am Netzteil wird die Stromversorgung für die Einheit nicht unterbrochen. Die Einheit kann auch mit mehreren Netzkabeln ausgestattet sein. Um die Stromversorgung für die Einheit vollständig zu unterbrechen, müssen alle zum Gerät führenden Netzkabel vom Netz getrennt werden.





סכנה

זרם חשמלי המועבר בכבלי חשמל, טלפון ותקשורת הוא מסוכן.

כדי להימנע מסכנת התחשמלות:

- אל תחברו או תנתקו כבלים, ואל תבצעו פעולת התקנה, תחזוקה או שינוי תצורה במוצר זה במהלך סופת ברקים.
- חברו את כל כבלי החשמל לשקע חשמל מחווט ומוארק כהלכה.
- חברו כל ציוד שיחובר למוצר זה לשקעי חשמל מחוטים כהלכה.
- במידת האפשר, השתמשו ביד אחת בלבד לחיבור או לניתוק של כבלי אותות.
- לעולם אל תפעילו ציוד כלשהו כאשר יש עדות לנזק מבני או לנזק כתוצאה מאש או ממים.
- נתקו את כבלי החשמל, מערכות התקשורת, התקני הרשת והמודמים המחוברים לפני פתיחת כיסויי ההתקן, אלא אם הליכי ההתקנה וקביעת התצורה מורים אחרת.
- בעת התקנה, העברה או פתיחת כיסויים במוצר זה או בהתקנים המחוברים, חברו ונתקו את הכבלים כמתואר בטבלה שלהלן.

כדי לחבר	כדי לנתק
1. כבו הכל.	1. כבו הכל.
2. ראשית, חברו את כל הכבלים להתקנים.	2. ראשית, נתקו את כבלי החשמל מהשקעים.
3. חברו את כבלי האותות למחברים.	3. נתקו את כבלי האותות מהמחברים.
4. חברו את כבלי החשמל לשקעים.	4. הסירו את כל הכבלים מההתקנים.
5. הפעילו את ההתקן.	



זהירות:

בעת החלפת סוללת הליתיום, השתמשו רק בסוללה בעלת מק"ט 33F8354 או בסוג תואם שהומלץ על ידי היצרן. אם המערכת כוללת מודול המכיל סוללת ליתיום, החליפו אותו רק במודול מאותו סוג ומתוצרת אותו יצרן. הסוללה מכילה ליתיום, ועלולה להתפוצץ אם לא משתמשים ומטפלים בה או משליכים אותה כראוי.

לעולם:

- אל תטבלו במים

- אל תחממו לטמפרטורה הגבוהה מ-100°C (212°F)

- אל תתקנו או תפרקו

השליכו את הסוללה כנדרש לפי התקנות והחוקים המקומיים.



זהירות:

בעת התקנת מוצרי ליזר (כגון כונני תקליטורים ו-DVD, התקני סיב אופטי או משדרים), שימו לב לאזהרות הבאות:

- אל תסירו את הכיסויים. הסרת הכיסויים של מוצר הלייזר עלולה לגרום לחשיפה לקרינת לייזר מסוכנת. אין חלקים ברי טיפול בתוך ההתקן.

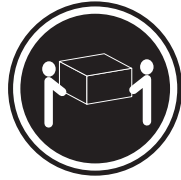
- שינויים, שימוש בבקרות או ביצוע הליכים אחרים מאלה המתוארים כאן, עלולים לגרום לחשיפה לקרינה מסוכנת.



סכנה

מוצרי לייזר מסוימים מכילים דיודת לייזר מסוג Class 3A או Class 3B. שימו לב לאזהרה הבאה:

כאשר הוא פתוח, המוצר פולט קרינת לייזר. אל תביטו ישירות בקרן, אל תביטו ישירות בעזרת ציוד אופטי, והימנעו מחשיפה לקרן.



$18 \leq$ ק"ג (37 ליב')



$32 \leq$ ק"ג (70.5 ליב')



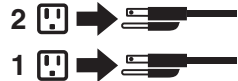
$55 \leq$ ק"ג (121.2 ליב')

זהירות:
השתמשו בהליכים
הנאותים בעת
הרמת הציוד.



זהירות:

לחצן ההפעלה של ההתקן ומתג ההפעלה של ספק החשמל אינם מפסיקים את זרם החשמל המסופק להתקן. בנוסף, ההתקן עשוי לכלול יותר מכבל חשמל אחד. כדי לסלק את כל הזרם החשמלי מההתקן, ודאו שכל כבלי החשמל מנותקים ממקור החשמל.





PERICOLO

La corrente elettrica proveniente dai cavi di alimentazione, del telefono e di comunicazione può essere pericolosa.

Per evitare il rischio di scosse elettriche:

- **Non collegare o scollegare qualsiasi cavo oppure effettuare l'installazione, la manutenzione o la riconfigurazione del prodotto durante un temporale.**
- **Collegare tutti i fili elettrici a una presa di alimentazione correttamente cablata e dotata di messa a terra.**
- **Collegare alle prese elettriche appropriate tutte le apparecchiature che verranno utilizzate per questo prodotto.**
- **Se possibile, utilizzare solo una mano per collegare o scollegare i cavi di segnale.**
- **Non accendere assolutamente apparecchiature in presenza di incendi, perdite d'acqua o danno strutturale.**
- **Scollegare i cavi di alimentazione, i sistemi di telecomunicazione, le reti e il modem prima di aprire i coperchi del dispositivo, salvo istruzioni contrarie relative alle procedure di installazione e configurazione.**
- **Collegare e scollegare i cavi come descritto nella seguente tabella quando vengono effettuate operazioni di installazione, spostamento o apertura dei coperchi di questo prodotto o delle unità collegate.**

Per collegarsi	Per scollegarsi
1. SPEGNERE le apparecchiature.	1. SPEGNERE le apparecchiature.
2. Innanzitutto, collegare tutti i cavi alle unità.	2. Innanzitutto, rimuovere i cavi di alimentazione dalla presa.
3. Collegare i cavi di segnale ai connettori.	3. Rimuovere i cavi di segnale dai connettori.
4. Collegare i cavi di alimentazione alla presa.	4. Rimuovere tutti i cavi dalle unità.
5. Accendere l'unità.	



ATTENZIONE:

Quando si sostituisce la batteria al litio, utilizzare solo il Numero parte 33F8354 o un tipo di batteria equivalente consigliato dal produttore. Se sul sistema è presente un modulo che contiene una batteria al litio, sostituirlo solo con un tipo di modulo dello stesso tipo della stessa casa di produzione. La batteria contiene litio e può esplodere se usata, maneggiata o smaltita in modo non corretto.

Non:

- Gettare o immergere la batteria nell'acqua
- Riscaldarla ad una temperatura superiore ai 100 gradi C (212 gradi F)
- Smontarla, ricaricarla o tentare di ripararla

Le batterie usate vanno smaltite in accordo alla normativa in vigore (DPR 915/82 e successive disposizioni e disposizioni locali).



ATTENZIONE:

Quando vengono installati prodotti laser (quali CD-ROM, unità DVD-ROM, unità a fibre ottiche o trasmettenti), tener presente quanto segue:

- Non rimuovere gli sportelli. L'apertura di un'unità laser può determinare l'esposizione a radiazioni laser pericolose. All'interno dell'unità non vi sono parti su cui effettuare l'assistenza tecnica.
- L'utilizzo di controlli, regolazioni o l'esecuzione di procedure non descritti nel presente manuale possono provocare l'esposizione a radiazioni pericolose.



PERICOLO

Alcune unità laser contengono un diodo laser di Classe 3A o Classe 3B. Tener presente quanto segue:

Aperto l'unità vengono emesse radiazioni laser. Non fissare il fascio, non guardarlo direttamente con strumenti ottici ed evitare l'esposizione al fascio.



≥18 kg



≥32 kg



≥55 kg

ATTENZIONE:

Prestare attenzione nel sollevare l'apparecchiatura.



ATTENZIONE:

Il pulsante di controllo dell'alimentazione presente sull'unità e l'interruttore dell'alimentatore non disattivano l'alimentazione corrente fornita all'unità. E' possibile che l'unità disponga di più cavi di alimentazione. Per disattivare l'alimentazione dall'unità, accertarsi che tutti i cavi di alimentazione siano scollegati dalla fonte di alimentazione.





위험

전원, 전화, 통신 케이블의 전류는 위험합니다.

감전의 위험을 피하려면 다음과 같이 하십시오.

- 번개가 치는 날에는 케이블을 연결 또는 분리하거나 본 제품을 설치, 보수, 재구성하지 마십시오.
- 모든 전원 코드는 올바르게 접지된 전기 콘센트에 연결하십시오.
- 본 제품에 연결될 장치는 올바르게 배선된 콘센트에 연결하십시오.
- 신호 케이블을 연결 또는 분리할 때 가능하면 한 손만을 사용하십시오.
- 불 또는 물로 인한 손상이나 구조적인 손상이 있을 경우 장치의 전원을 절대 켜지 마십시오.
- 설치 및 구성 과정에 별도의 지시 사항이 없는 경우, 장치의 덮개를 열기 전에 연결된 전원 코드, 원격 통신 시스템, 네트워크, 모뎀을 분리하십시오.
- 본 제품이나 연결된 장치를 설치, 이동하거나 덮개를 열 때 다음 표와 같은 순서로 케이블을 연결하거나 분리하십시오.

연결할 때:	분리할 때:
<ol style="list-style-type: none"> 1. 모든 장치의 전원을 끄십시오. 2. 먼저 모든 케이블을 장치에 연결하십시오. 3. 커넥터에 신호 케이블을 연결하십시오. 4. 콘센트에 전원 코드를 연결하십시오. 5. 장치의 전원을 켜십시오. 	<ol style="list-style-type: none"> 1. 모든 장치의 전원을 끄십시오. 2. 먼저 콘센트에서 전원 코드를 분리하십시오. 3. 커넥터에서 신호 케이블을 분리하십시오. 4. 장치에서 모든 케이블을 분리하십시오.



주의:

배터리를 교환할 때는 Part Number 33F8354 또는 제조업체에서 지정한 동일한 종류의 제품을 사용하십시오. 사용자의 시스템이 리튬 배터리를 포함하는 모듈일 경우, 동일한 제조업체에서 동일한 모듈 유형으로 생산된 제품으로 교체하십시오. 배터리에는 리튬이 함유되어 있어 잘못 사용, 취급 또는 폐기할 경우 폭발의 위험이 있습니다.

사고를 방지하려면 다음 사항을 준수하십시오.

- 배터리를 물 속에 던지거나 침수시키지 마십시오.
- 100℃(212°F) 이상 가열하지 마십시오.
- 수리하거나 분해하지 마십시오.

배터리를 폐기할 때는 법령 또는 회사의 안전 수칙에 따라 폐기하십시오.



주의:

CD-ROM, DVD-ROM 장치, 광섬유 장치 또는 송신 장치와 같은 레이저 제품을 설치할 때, 다음과 같은 취급 주의사항을 참고하십시오.

- 덮개를 열지 마십시오. 덮개를 열면 레이저 복사 에너지에 노출될 위험이 있습니다. 장치 내부에는 사용자가 조정하거나 수리할 수 있는 부품이 없습니다.
- 규정된 것 이외의 절차 수행, 제어 조정 등의 행위로 인해 해로운 레이저 복사에 노출될 수 있습니다.



위험

일부 장비에는 임베디드 클래스 3A 또는 클래스 3B 레이저 다이오드가 있습니다. 다음 주의사항에 유의하십시오.

드라이브가 열리면 레이저 복사 에너지가 방출됩니다. 광선이 눈에 직접 쏘이지 않도록 하십시오. 나안 또는 광학 기구를 착용한 상태에서 광선을 직접 바라보지 않도록 하십시오.



≥ 18 kg (37 lbs)



≥ 32 kg (70.5 lbs)



≥ 55 kg (121.2 lbs)

주의:

제품을 들어 올릴 때 안전 규제를 따르십시오.



주의:

장치의 전원 제어 버튼 및 전원 공급 장치의 전원 스위치를 사용하여 장치에 공급되는 전기를 차단하지 마십시오. 장치는 둘 이상의 코드를 가지고 있을 수 있습니다. 장치에서 모든 전원을 차단하려면 콘센트에서 코드가 모두 분리되어 있는지 확인하십시오.





PELIGRO

La corriente eléctrica procedente de cables de alimentación, teléfonos y cables de comunicación puede ser peligrosa.

Para evitar el riesgo de descarga eléctrica:

- No conecte ni desconecte los cables ni realice ninguna tarea de instalación, mantenimiento o reconfiguración de este producto durante una tormenta eléctrica.
- Conecte todos los cables de alimentación a tomas de corriente debidamente cableadas y conectadas a tierra.
- Cualquier equipo que se conecte a este producto también debe conectarse a tomas de corriente debidamente cableadas.
- Siempre que sea posible, utilice una sola mano para conectar o desconectar los cables de señal.
- No encienda nunca un equipo cuando hay señales de fuego, agua o daños estructurales.
- Desconecte los cables de alimentación, los sistemas de telecomunicaciones, las redes y los módems conectados antes de abrir las cubiertas de los dispositivos, a menos que se indique lo contrario en los procedimientos de instalación y configuración.
- Conecte y desconecte los cables, como se describe en la tabla siguiente, cuando instale, mueva o abra las cubiertas de este producto o de los dispositivos conectados.

Para conectar	Para desconectar
<ol style="list-style-type: none">1. APÁGUELO todo.2. En primer lugar, conecte todos los cables a los dispositivos.3. Conecte los cables de señal a los conectores.4. Enchufe los cables de alimentación a las tomas de corriente.5. Encienda el dispositivo.	<ol style="list-style-type: none">1. APÁGUELO todo.2. En primer lugar, desenchufe los cables de alimentación de las tomas de corriente.3. Desconecte los cables de señal de los conectores.4. Desconecte todos los cables de los dispositivos.



PRECAUCIÓN:

Cuando sustituya una batería de litio, utilice solamente una batería número de pieza 33F8354 u otra de tipo equivalente recomendada por el fabricante. Si su sistema dispone de un módulo que contiene una batería de litio, reemplácelo sólo con el mismo tipo de módulo, del mismo fabricante. La batería contiene litio y puede explotar si no se utiliza, manipula o desecha correctamente.

No debe:

- Arrojarla al agua o sumergirla en ella
- Exponerla a temperaturas superiores a 100°C (212°F)
- Repararla o desmontarla

Deshágase de la batería según especifiquen las leyes o normas locales.



PRECAUCIÓN:

Cuando haya productos láser (como unidades de CD-ROM, unidades de DVD, dispositivos de fibra óptica o transmisores) instalados, tenga en cuenta lo siguiente:

- No quite las cubiertas. Si quita las cubiertas del producto láser, podría quedar expuesto a radiación láser peligrosa. Dentro del dispositivo no existe ninguna pieza que requiera servicio técnico.
- Si usa controles o ajustes o realiza procedimientos que no sean los especificados aquí, podría exponerse a radiaciones peligrosas.



PELIGRO

Algunos productos láser tienen incorporado un diodo láser de clase 3A o clase 3B. Tenga en cuenta lo siguiente:

Cuando se abre, queda expuesto a radiación láser. No mire directamente al rayo láser, ni siquiera con instrumentos ópticos, y evite exponerse directamente al rayo láser.



≥18 kg



≥32 kg



≥55 kg

PRECAUCIÓN:

Adopte procedimientos seguros al levantar el equipo.



PRECAUCIÓN:

El botón de control de alimentación del dispositivo y el interruptor de alimentación de la fuente de alimentación no desconectan la corriente eléctrica suministrada al dispositivo. Además, el dispositivo podría tener más de un cable de alimentación. Para suprimir toda la corriente eléctrica del dispositivo, asegúrese de que todos los cables de alimentación estén desconectados de la toma de corriente.



Chapter 3. General information

This chapter provides general information that applies to all machine types supported by this publication.

The ThinkVantage Productivity Center program

Use the ThinkVantage[®] Productivity Center program for general information about the use, operation, and maintenance of the computer. The ThinkVantage Productivity Center program also contains information to help solve problems and get repair service or other technical assistance. The ThinkVantage Productivity Center program is preinstalled on most ThinkCentre products.

Additional information resources

If you have Internet access, the most up-to-date information for your computer is available from the World Wide Web.

You can find the following information:

- CRU removal and installation instructions
- Publications
- Troubleshooting information
- Parts information
- Downloads and drivers
- Links to other useful sources of information

To access this information, go to <http://www.lenovo.com/support/>.

Specifications

This section lists the physical specifications for your computer.

Types 7258, 7260, 7268, 7270, 7280, 7296, 7298, 7304, 7307, 7413, 7491, and 7508

This section lists the physical specifications for your computer.

Dimensions

Width: 175 mm (6.9 inches)

Height: 402 mm (15.8 inches)

Depth: 440 mm (17.3 inches)

Weight

Maximum configuration as shipped: 11.2 kg (24.7 lbs)

Types 7259, 7267, 7269, 7279, 7297, 7303, 7306, 7487, 7506, and 7514

This section lists the physical specifications.

Dimensions

Width: 317 mm (12.48 inches)

Height: 99 mm (3.90 inches)

Depth: 355 mm (13.98 inches)

Weight

Maximum configuration as shipped: 7.5 kg (16.53 lbs)

This section lists the physical specifications.

For all machine types

Environment

Air temperature:

Operating: 10° to 35°C (50° to 95°F)

Non-operating: 10° to 60°C (50° to 140°F)

Humidity:

Operating: 10% to 80% (10% per hour, non condensing)

Non-operating: 10% to 90% (10% per hour)

Transit: 0% to 90% (10% per hour)

Maximum altitude:

Operating: -50 to 10,000 ft (-15.2 to 3048 m)

Non-operating: -50 to 35,000 ft (-15.2 to 10,668)

Electrical input

Input voltage:

Low range:

Minimum: 100 V ac

Maximum: 127 V ac

Input frequency range: 50/60 Hz

Voltage switch setting: 115 V ac

High range:

Minimum: 200 V ac

Maximum: 240 V ac

Input frequency range: 50/60 Hz

Voltage switch setting: 230 V ac

Chapter 4. General Checkout

Attention

The drives in the computer you are servicing might have been rearranged or the drive startup sequence changed. Be extremely careful during write operations such as copying, saving, or formatting. Data or programs can be overwritten if you select an incorrect drive.

General error messages appear if a problem or conflict is found by an application program, the operating system, or both. For an explanation of these messages, refer to the information supplied with that software package.

Before replacing any FRUs, ensure that the latest level of BIOS is installed on the system. A down-level BIOS might cause false errors and unnecessary replacement of the system board. For more information on how to determine and obtain the latest level BIOS, see “BIOS levels” on page 379.

Use the following procedure to help determine the cause of the problem:

1. Power-off the computer and all external devices.
2. Check all cables and power cords.
3. Set all display controls to the middle position.
4. Power-on all external devices.
5. Power-on the computer.
 - Look for displayed error codes
 - Listen for beep codes
 - Look for readable instructions or a main menu on the display.If you **did not** receive the correct response, proceed to step 6.
If you **do** receive the correct response, proceed to step 7.
6. Look at the following conditions and follow the instructions:
 - If you hear beep codes during POST, go to “Beep symptoms” on page 75.
 - If the computer displays a POST error, go to “POST error codes” on page 76.
 - If the computer hangs and no error is displayed, continue at step 7.
7. Run the Diagnostic programs. See Chapter 5, “Diagnostics,” on page 45.
 - If you receive an error, replace the part that the diagnostic program calls out or go to “Diagnostic error codes” on page 54.
 - If the test stops and you cannot continue, replace the last device tested.

Problem determination tips

Due to the variety of hardware and software combinations that can be encountered, use the following information to assist you in problem determination. If possible, have this information available when requesting assistance from Service Support and Engineering functions.

- Machine type and model
- Processor or hard disk upgrades
- Failure symptom
 - Do diagnostics indicate a failure?

- What, when, where, single, or multiple systems?
- Is the failure repeatable?
- Has this configuration ever worked?
- If it has been working, what changes were made prior to it failing?
- Is this the original reported failure?
- Diagnostics version
 - Type and version level
- Hardware configuration
 - Print (print screen) configuration currently in use
 - BIOS level
- Operating system software
 - Type and version level

Note: To eliminate confusion, identical systems are considered identical only if they:

1. Are the exact machine type and models
2. Have the same BIOS level
3. Have the same adapters/attachments in the same locations
4. Have the same address jumpers/terminators/cabling
5. Have the same software versions and levels
6. Have the same Diagnostic Diskettes (version)
7. Have the same configuration options set in the system
8. Have the same setup for the operating system control files

Comparing the configuration and software set-up between “working and non-working” systems will often lead to problem resolution.

Chapter 5. Diagnostics

Diagnostic programs are used to test hardware components of your computer and report operating-system-controlled settings that can cause hardware failures. There are two diagnostic programs preinstalled on your computer:

- Lenovo System Toolbox (used when the Windows operating system is running)
- PC-Doctor for Windows PE (used when the Windows operating system does not start)

Notes:

1. You can also download the latest version of the Lenovo System Toolbox and PC-Doctor for DOS diagnostic programs from <http://www.lenovo.com/support/>.
2. If you are unable to isolate and repair the problem yourself after you run the Lenovo System Toolbox and PC-Doctor for Windows PE, save and print the log files created by both diagnostic programs. You will need the log files when you speak to a Lenovo technical support representative.

Lenovo System Toolbox

The Lenovo System Toolbox is a diagnostic program that works through the Windows operating system and enables you to view symptoms and solutions for computer problems, access the Lenovo troubleshooting center, update system drivers, and review system information.

To run the Lenovo System Toolbox, click **Start** → **All Programs** → **Lenovo Services** → **Lenovo System Toolbox**. Follow the instructions on the screen. For additional information about running the diagnostic program, refer to the Lenovo System Toolbox help system.

If you still suspect a problem after Lenovo System Toolbox runs successfully, run PC-Doctor for Windows PE to help you diagnose the computer problem.

The Lenovo System Toolbox also has problem determination aids that determine software and usage problems.

PC-Doctor for Windows PE

The PC-Doctor for Windows PE diagnostic program is part of the Rescue and Recovery workspace on each Lenovo computer. Use PC-Doctor for Windows PE if you are unable to start the Windows operating system or if Lenovo System Toolbox has not been successful in isolating a possible problem.

Running diagnostics from the Rescue and Recovery workspace

You can run the PC-Doctor for Windows PE diagnostic program from the Rescue and Recovery workspace. To run diagnostics from the Rescue and Recovery workspace, do the following:

1. Shut down the operating system and turn off the computer.
2. Repeatedly press and release the F11 key when you turn on the computer.

3. When you hear beeps or see a logo screen, stop pressing the F11 key. The Rescue and Recovery workspace opens.
4. From the Rescue and Recovery workspace, select **Launch Advanced Rescue and Recovery → Diagnose hardware**.
5. The diagnostic program opens automatically. Select the diagnostic test you want to run. Press the F1 key for additional help.
6. Follow the instructions on the screen.

PC-Doctor for DOS

You can also download the latest version of the PC-Doctor for DOS diagnostic program from:

<http://www.lenovo.com/support>

The PC-Doctor for DOS diagnostic program runs independently of the Windows operating system. Use PC-Doctor for DOS, if you are unable to start the Windows operating system or if Lenovo System Toolbox and PC-Doctor for Windows PE have not been successful in isolating a possible problem. You can run PC-Doctor for DOS from a diagnostic CD/DVD image that you create.

Creating a diagnostic CD/DVD image

To create a diagnostic CD/DVD image, download a self-starting bootable CD/DVD image (known as an ISO image) of the diagnostic program from

<http://www.lenovo.com/support>

After you download the image, you can create the CD/DVD using any CD/DVD burning software.

Running diagnostics from the disc

To run diagnostics from the diagnostic CD/DVD image that you created, do the following:

1. Make sure the computer is turned off.
2. Insert the disc into the optical drive.
3. Restart the computer.

Note: If the diagnostic program does not start, you might not have your optical drive set as a startable device. See “Selecting a startup device” on page 51 for instructions on how to change the startup device.

4. When the diagnostics program opens, follow the instructions on the screen.
5. When the program finishes, be sure to remove the disc from the drive.
6. Select the diagnostic test you want to run. Press the F1 key for additional help.

Navigating through the diagnostics programs

Use the cursor movement keys to navigate within the menus.

- The **Enter** key is used to select a menu item.
- The **Esc** key is used to back up to the previous menu.
- For online help select **F1**.

Running tests

There are four ways to run the diagnostic tests.

- Using the cursor movement keys, highlight **Run Normal Test** or **Run Quick Test** from the Diagnostics menu and then press **Enter**.

This automatically runs a pre-defined group of tests from each test category. **Run Normal Test** runs a more extensive set of tests than does **Run Quick Test** and takes longer to complete.

- Press **F5** to automatically run all selected tests in all categories.
- From within a test category, press **Ctrl-Enter** to automatically run only the selected tests in that category.
- Using the cursor movement keys, highlight a single test within a test category, and then press **Enter**. This runs only that test.

Press **Esc** at any time to stop the testing process.

Test results (N/A, PASSED, FAILED, ABORTED) are displayed in the field beside the test description and in the test log. See “Viewing the test log” on page 48.

To select one or more tests, use the following procedure.

1. Open the corresponding test category.
2. Using the cursor movement keys, highlight the desired test.
3. Press the space bar.
A selected test is marked by >>. Pressing the space bar again de-selects a test and removes the >>.
4. Repeat steps 2 and 3 above to select all desired tests.

Test results

Diagnostics test results produce the following error code format:

Function Code	Failure Type	DeviceID	Date	ChkDigits	Text
---------------	--------------	----------	------	-----------	------

- **Function Code:**
Represents the feature or function within the PC.
- **Failure Type:**
Represents the type of error encountered.
- **DeviceID:**
Contains the component’s unit-ID which corresponds to either a fixed disk drive, removable media drive, serial or parallel port, processor, specific RIMM, or a device on the PCI bus.
- **Date:**
Contains the date when the diagnostic test was run. The date is retrieved from CMOS and displayed using the YYYYMMDD format.
- **ChkDigits:**
Contains a 2-digit check-digit value to ensure the following:
 - Diagnostics were run on the specified date.
 - Diagnostics were run on the specified computer.
 - The diagnostic error code is recorded correctly.
- **Text:**
Description of the error.

Note: See “Diagnostic error codes” on page 54 for error code listings.

Quick and Full erase - hard drive

The diagnostics program offers two hard drive format utilities:

- Quick Erase Hard Drive
- Full Erase Hard Drive

The Quick Erase Hard Drive provides a DOS utility that performs the following:

- Destroys the Master Boot Record (MBR) on the hard drive.
- Destroys all copies of the FAT Table on all partitions (both the master and backup).
- Destroys the partition table.
- Provides messages that warn the user that this is a non-recoverable process.

The Full Erase Hard Drive provides a DOS utility that performs the following:

- Performs all the steps in Quick Erase.
- Provides a DOS utility that writes random data to all sectors of the hard drive.
- Provides an estimate of time to completion along with a visual representation of completion status.
- Provides messages that warn the user about non-recoverable process.

Important: Make sure that all data is backed up before using the Quick or Full Erase functions.
--

To select the Quick Erase or Full Erase Hard Drive utility, use the following procedure:

1. Select the UTILITY option on the toolbar and press **Enter**.
2. Select either the QUICK ERASE or FULL ERASE HARD DISK option and follow the instructions.

Viewing the test log

Errors reported by the diagnostic test will be displayed by the program as a failed test.

To view details of a failure or to view a list of test results, use the following procedure from any test category screen:

1. Press **F3** to activate the log file.
2. Press **F3** again to save the file to diskette or press **F2** to print the file.

Chapter 6. Using the Setup Utility

The Setup Utility program is used to view and change the configuration settings of the computer, regardless of which operating system you are using. However, the operating-system settings might override any similar settings in the Setup Utility program.

Starting the Setup Utility program

To start the Setup Utility program, do the following:

1. If the computer is already on when you start this procedure, shut down the operating system and turn off the computer.
2. Press and hold the F1 key then turn on the computer. When you hear multiple beeps, release the F1 key.

Notes:

- a. If you are using a USB keyboard and the Setup Utility program does not display using this method, repeatedly press and release the F1 key rather than leaving it pressed when turning on the computer.
- b. If a Power-On Password (POP) or a Privileged Access Password (PAP) has been set, the Setup Utility program menu is not displayed until you type your password. For more information, see “Using passwords.”

The Setup Utility might start automatically when POST detects that hardware has been removed or new hardware has been installed in the computer.

Viewing and changing settings

The Setup Utility program menu lists items that identify system configuration topics. To view or change settings, see “Starting the Setup Utility program.”

When working with the Setup Utility program menu, you must use the keyboard. The keys used to perform various tasks are displayed at the bottom of each screen.

Using passwords

By using the Setup Utility program, you can set passwords to prevent unauthorized persons from gaining access to the computer and data. See “Starting the Setup Utility program.” The following types of passwords are available:

- Power-On Password
- Privileged Access Password

You do not have to set any passwords to use the computer. However, if you decide to set any passwords, read the following sections.

Password considerations

A password can be any combination of up to 16 (1 to 16) alphabetic and numeric characters. For security reasons, it is recommended to use a strong password that cannot be easily compromised. To set a strong password, use the following guidelines:

- Have at least eight characters in length

- Contain at least one alphabetic character and one numeric character
- Setup Utility program and hard disk drive passwords are not case sensitive
- Not be your name or your user name
- Not be a common word or a common name
- Be significantly different from your previous password

Power-On Password

When a Power-On Password is set, the computer cannot be used until a valid password is typed in.

Privileged Access Password

When a Privileged Access Password is set, it deters unauthorized people from changing configuration settings. If you are responsible for maintaining the settings of several computers, you might want to set a Privileged Access Password.

After you set a Privileged Access Password, a password prompt is displayed each time you try to access the Setup Utility program.

If both the Power-On Password and Privileged Access Password are set, you can type either password. However, to change any configuration settings, you must use your Privileged Access Password.

Setting, changing, and deleting a password

To set, change, or delete a password, do the following:

Note: A password can be any combination of up to 16 (1 to 16) alphabetic and numeric characters. For more information, see “Password considerations” on page 49.

1. Start the Setup Utility program. See Chapter 6, “Using the Setup Utility,” on page 49.
2. From the Setup Utility program menu, select **Security** → **Set Power-On Password** or **Set Privileged Access Password**.
3. Read the information displayed on the right side of the screen.

Enabling or disabling a device

This section provides information on how to enable or disable user access to the following devices:

SATA Controller	When this feature is set to Disabled , all devices connected to the SATA controller (such as hard disk drives or the optical drive) are disabled and will not be displayed in the system configuration.
Floppy A	When this feature is set to Disabled , the diskette drive cannot be accessed.

To set SATA Controller, do the following:

1. Start the Setup Utility program. See “Starting the Setup Utility program” on page 49.
2. From the Setup Utility program menu, select **Devices → ATA Drives Setup → SATA Controller**.
3. Select the desired devices and settings and press Enter.
4. Return to the Setup Utility program menu and select **Exit → Save Changes and Exit**.

Note: If you do not want to save the settings, select **Discard Changes and Exit** or **Discard Changes**.

To set Floppy A, do the following:

1. Start the Setup Utility program. See “Starting the Setup Utility program” on page 49.
2. From the Setup Utility program menu, select **Devices → Floppy Drive Setup → Floppy A**.
3. Select the desired devices and settings and press Enter.
4. Return to the Setup Utility program menu and select **Exit → Save Changes and Exit**.

Note: If you do not want to save the settings, select **Discard Changes and Exit**.

Selecting a startup device

If your computer does not start up from a device such as the disc, diskette, or hard disk drive as expected, use one of the following procedures to select a startup device.

Selecting a temporary startup device

Use this procedure to start up from any start device.

Note: Not all discs, hard disk drives, and diskettes are bootable.

1. Turn off your computer.
2. Press and hold the F12 key, and then turn on the computer. When the Please select boot device window displays, release the F12 key.

Note: If you are using a USB keyboard and the Please select boot device window does not display using this method, repeatedly press and release the F12 key rather than leaving it pressed when turning on the computer.

3. Select the desired startup device from the boot device list and press Enter to begin.

Note: Selecting a startup device from the Please select boot device window does not permanently change the startup sequence.

Selecting or changing the startup device sequence

To view or permanently change the configured startup device sequence, do the following:

1. Start the Setup Utility program. See “Starting the Setup Utility program” on page 49.

2. Select **Startup**.
3. See the information displayed on the right side of the screen.
4. Select the devices for the Primary Startup Sequence, the Automatic Startup Sequence, and the Error Startup Sequence.
5. Select **Exit** from the Setup Utility menu and then **Save Changes and Exit**.

If you have changed these settings and want to return to the default settings, select **Load Optimal Settings** from the **Exit** menu.

Advanced settings

On some computer models, the **Advanced** menu includes a setting to enable or disable HyperThreading. This feature works only with HyperThreading-aware operating systems, such as Windows Vista and Windows XP. The default setting for HyperThreading is **Enabled**. However, if you select **Set Defaults** and are using an operating system other than Windows Vista or Windows XP, your computer performance might be degraded. Therefore, you should always set HyperThreading to **Disabled** unless you are sure your operating system supports HyperThreading.

Exiting from the Setup Utility program

After you finish viewing or changing settings, press Esc to return to the Setup Utility program menu (you might have to press Esc several times). If you want to save the new settings, select **Exit** → **Save Changes and Exit**. Otherwise, your changes will not be saved.

Chapter 7. Symptom-to-FRU Index

The Symptom-to-FRU index lists error symptoms and possible causes. The most likely cause is listed first. Always begin with Chapter 4, “General Checkout,” on page 43. This index can also be used to help you decide which FRUs to have available when servicing a computer. If you are unable to correct the problem using this index, go to “Undetermined problems” on page 79.

Notes:

- If you have both an error message and an incorrect audio response, diagnose the error message first.
- If you cannot run the diagnostic tests or you get a diagnostic error code when running a test, but did receive a POST error message, diagnose the POST error message first.
- If you did not receive any error message, look for a description of your error symptoms in the first part of this index.

Hard disk drive boot error

A hard disk drive boot error (error codes 1962 and I999030X) can have the following causes.

Error	FRU/Action
The start-up drive is not in the boot sequence in configuration.	Check the configuration and ensure the start-up drive is in the boot sequence.
No operating system installed on the boot drive.	Install an operating system on the boot drive.
The boot sector on the start-up drive is corrupted.	The drive must be formatted, do the following: <ol style="list-style-type: none">1. Attempt to back-up the data on the failing hard disk drive.2. Using the operating systems programs, format the hard disk drive.
The drive is defective.	Replace the hard disk drive.

Power Supply Problems

If you suspect a power problem, use the following procedures.

Check/Verify	FRU/Action
Check the following for proper installation. <ul style="list-style-type: none">• Power Cord• On/Off Switch connector• On/Off Switch Power Supply connector• System Board Power Supply connectors• Microprocessor(s) connection	Reseat connectors
Check the power cord for continuity.	Power Cord
Check the power-on switch for continuity.	Power-on Switch

Diagnostic error codes

Refer to the following diagnostic error codes when using the diagnostic tests. See “Running tests” on page 46 for the specific type for information about the Diagnostic programs.

In the following index, X can represent any number.

Diagnostic Error Code	FRU/Action
000-000-XXX BIOS Test Passed	No action
000-002-XXX BIOS Timeout	<ol style="list-style-type: none">1. Flash the system. See “Flash update procedures” on page 3792. System board
000-024-XXX BIOS Addressing test failure	<ol style="list-style-type: none">1. Flash the system. See “Flash update procedures” on page 3792. System board
000-025-XXX BIOS Checksum Value error	<ol style="list-style-type: none">1. Flash the system. See “Flash update procedures” on page 3792. System board
000-026-XXX FLASH data error	<ol style="list-style-type: none">1. Flash the system. See “Flash update procedures” on page 3792. System board
000-027-XXX BIOS Configuration/Setup error	<ol style="list-style-type: none">1. Run Setup2. Flash the system. See “Flash update procedures” on page 3793. System board
000-034-XXX BIOS Buffer Allocation failure	<ol style="list-style-type: none">1. Reboot the system2. Flash the system. See “Flash update procedures” on page 3793. Run memory test4. System board
000-035-XXX BIOS Reset Condition detected	<ol style="list-style-type: none">1. Flash the system. See “Flash update procedures” on page 3792. System board
000-036-XXX BIOS Register error	<ol style="list-style-type: none">1. Flash the system. See “Flash update procedures” on page 3792. System board
000-038-XXX BIOS Extension failure	<ol style="list-style-type: none">1. Flash the system. See “Flash update procedures” on page 3792. Adapter card3. System board
000-039-XXX BIOS DMI data error	<ol style="list-style-type: none">1. Flash the system. See “Flash update procedures” on page 3792. System board
000-195-XXX BIOS Test aborted by user	Information only Re-start the test, if necessary

Diagnostic Error Code	FRU/Action
000-196-XXX BIOS test halt, error threshold exceeded	<ol style="list-style-type: none"> 1. Press F3 to review the log file 2. Re-start the test to reset the log file
000-197-XXX BIOS test warning	<ol style="list-style-type: none"> 1. Make sure the component that is called out is connected and/or enabled. See Chapter 6, "Using the Setup Utility," on page 49 2. Re-run test 3. Replace the component that is called out in warning statement 4. Replace the component under test
000-198-XXX BIOS test aborted	<ol style="list-style-type: none"> 1. Make sure the component that is called out is connected and/or enabled. See Chapter 6, "Using the Setup Utility," on page 49 2. Flash the system and retest. See "Flash update procedures" on page 379 3. Go to "Undetermined problems" on page 79
000-199-XXX BIOS test failed, cause unknown	<ol style="list-style-type: none"> 1. Go to "Undetermined problems" on page 79 2. Flash the system and re-test 3. Replace component under function test
000-250-XXX BIOS APM failure	<ol style="list-style-type: none"> 1. Flash the system. See "Flash update procedures" on page 379 2. System board
000-270-XXX BIOS ACPI failure	<ol style="list-style-type: none"> 1. Flash the system. See "Flash update procedures" on page 379 2. System board
001-000-XXX System Test Passed	No action
001-00X-XXX System Error	System board
001-01X-XXX System Error	System board
001-024-XXX System Addressing test failure	System board
001-025-XXX System Checksum Value error	<ol style="list-style-type: none"> 1. Flash the system. See "Flash update procedures" on page 379 2. System board
001-026-XXX System FLASH data error	<ol style="list-style-type: none"> 1. Flash the system. See "Flash update procedures" on page 379 2. System board
001-027-XXX System Configuration/Setup error	<ol style="list-style-type: none"> 1. Run Setup 2. Flash the system. See "Flash update procedures" on page 379 3. System board

Diagnostic Error Code	FRU/Action
001-032-XXX System Device Controller failure	System board
001-034-XXX System Device Buffer Allocation failure	<ol style="list-style-type: none"> 1. Reboot the system 2. Flash the system. See “Flash update procedures” on page 379 3. Run memory test 4. System board
001-035-XXX System Device Reset condition detected	System board
001-036-XXX System Register error	System board
001-038-XXX System Extension failure	<ol style="list-style-type: none"> 1. Adapter card 2. System board
001-039-XXX System DMI data structure error	<ol style="list-style-type: none"> 1. Flash the system. See “Flash update procedures” on page 379 2. System board
001-040-XXX System IRQ failure	<ol style="list-style-type: none"> 1. Power-off/on system and re-test 2. System board
001-041-XXX System DMA failure	<ol style="list-style-type: none"> 1. Power-off/on system and re-test 2. System board
001-195-XXX System Test aborted by user	Information only Re-start the test, if necessary
001-196-XXX System test halt, error threshold exceeded	<ol style="list-style-type: none"> 1. Press F3 to review the log file 2. Re-start the test to reset the log file
001-197-XXX System test warning	<ol style="list-style-type: none"> 1. Make sure the component that is called out is connected and/or enabled. See Chapter 6, “Using the Setup Utility,” on page 49 2. Re-run test 3. Replace the component that is called out in warning statement 4. Replace the component under test
001-198-XXX System test aborted	<ol style="list-style-type: none"> 1. If a component is called out, make sure it is connected and/or enabled. See Chapter 6, “Using the Setup Utility,” on page 49 2. Flash the system and retest. See “Flash update procedures” on page 379 3. Go to “Undetermined problems” on page 79
001-199-XXX System test failed, cause unknown	<ol style="list-style-type: none"> 1. Go to “Undetermined problems” on page 79 2. Flash the system and re-test 3. Replace component under function test
001-250-XXX System ECC error	System board

Diagnostic Error Code	FRU/Action
001-254-XXX 001-255-XXX 001-256-XXX 001-257-XXX System DMA error	System board
001-260-XXX 001-264-XXX System IRQ error	System board
001-268-XXX System IRQ1 failure	1. Device on IRQ1 2. System board
001-269-XXX System IRQ2 failure	1. Device on IRQ2 2. System board
001-270-XXX System IRQ3 failure	1. Device on IRQ3 2. System board
001-271-XXX System IRQ4 failure	1. Device on IRQ4 2. System board
001-272-XXX System IRQ5 failure	1. Device on IRQ5 2. System board
001-273-XXX System IRQ6 (diskette drive) failure	1. Diskette Cable 2. Diskette drive 3. System board
001-274-XXX System IRQ7 failure	1. Device on IRQ7 2. System board
001-275-XXX System IRQ8 failure	1. Device on IRQ8 2. System board
001-276-XXX System IRQ9 failure	1. Device on IRQ9 2. System board
001-277-XXX System IRQ10 failure	1. Device on IRQ10 2. System board
001-278-XXX System IRQ11 failure	1. Device on IRQ11 2. System board
001-279-XXX System IRQ12 failure	1. Device on IRQ12 2. System board
001-280-XXX System IRQ13 failure	1. Device on IRQ13 2. System board
001-281-XXX System IRQ14 (hard disk drive) failure	1. Hard disk drive cable 2. Hard disk drive 3. System board
001-282-XXX System IRQ15 failure	1. Device on IRQ15 2. System board

Diagnostic Error Code	FRU/Action
001-286-XXX 001-287-XXX 001-288-XXX System Timer failure	System board
001-292-XXX System CMOS RAM error	1. Run Setup and re-test 2. System board
001-293-XXX System CMOS Battery	1. CMOS Battery 2. System board
001-298-XXX System RTC date/time update failure	1. Flash the system. See “Flash update procedures” on page 379 2. System board
001-299-XXX System RTC periodic interrupt failure	System board
001-300-XXX System RTC Alarm failure	System board
001-301-XXX System RTC Century byte error	1. Flash the system. See “Flash update procedures” on page 379 2. System board
005-000-XXX Video Test Passed	No action
005-00X-XXX Video error	1. Video card, if installed 2. System board
005-010-XXX 005-011-XXX 005-012-XXX 005-013-XXX Video Signal failure	1. Video card, if installed 2. System board
005-016-XXX Video Simple Pattern test failure	1. Video Ram 2. Video card, if installed 3. System board
005-024-XXX Video Addressing test failure	1. Video card, if installed 2. System board
005-025-XXX Video Checksum Value error	1. Video card, if installed 2. System board
005-027-XXX Video Configuration/Setup error	1. Run Setup 2. Video drivers update 3. Video card, if installed 4. System board
005-031-XXX Video Device Cable failure	1. Video cable 2. Monitor 3. Video card, if installed 4. System board
005-032-XXX Video Device Controller failure	1. Video card, if installed 2. System board

Diagnostic Error Code	FRU/Action
005-036-XXX Video Register error	<ol style="list-style-type: none"> 1. Video card, if installed 2. System board
005-038-XXX System BIOS extension failure	<ol style="list-style-type: none"> 1. Video card, if installed 2. System board
005-040-XXX Video IRQ failure	<ol style="list-style-type: none"> 1. Video card, if installed 2. System board
005-195-XXX Video Test aborted by user	Information only Re-start the test, if necessary
005-196-XXX Video test halt, error threshold exceeded	<ol style="list-style-type: none"> 1. Press F3 to review the log file 2. Re-start the test to reset the log file
005-197-XXX Video test warning	<ol style="list-style-type: none"> 1. Make sure the component that is called out is connected and/or enabled. See Chapter 6, "Using the Setup Utility," on page 49 2. Re-run test 3. Replace the component called out in warning statement 4. Replace the component under test
005-198-XXX Video test aborted	<ol style="list-style-type: none"> 1. If a component is called out, make sure it is connected and/or enabled. See Chapter 6, "Using the Setup Utility," on page 49 2. Flash the system and re-test. See "Flash update procedures" on page 379 3. Go to "Undetermined problems" on page 79
005-199-XXX Video test failed, cause unknown	<ol style="list-style-type: none"> 1. Go to "Undetermined problems" on page 79 2. Flash the system and re-test. See "Flash update procedures" on page 379 3. Replace component under function test
005-2XX-XXX 005-3XX-XXX Video subsystem error	<ol style="list-style-type: none"> 1. Video card, if installed 2. System board
006-000-XXX Diskette interface Test Passed	No action
006-0XX-XXX Diskette interface error	<ol style="list-style-type: none"> 1. Diskette drive Cable 2. Diskette drive 3. System board
006-195-XXX Diskette interface Test aborted by user	Information only Re-start the test, if necessary
006-196-XXX Diskette interface test halt, error threshold exceeded	<ol style="list-style-type: none"> 1. Press F3 to review the log file 2. Re-start the test to reset the log file

Diagnostic Error Code	FRU/Action
006-197-XXX Diskette interface test warning	<ol style="list-style-type: none"> 1. If a component is called out, make sure it is connected and/or enabled 2. Re-run test 3. Replace the component that is called out in warning statement 4. Replace the component under test
006-198-XXX Diskette interface test aborted	<ol style="list-style-type: none"> 1. If a component is called out, make sure it is connected and/or enabled 2. Flash the system and re-test. See "Flash update procedures" on page 379 3. Go to "Undetermined problems" on page 79
006-199-XXX Diskette interface test failed, cause unknown	<ol style="list-style-type: none"> 1. Go to "Undetermined problems" on page 79 2. Flash the system and re-test 3. Replace component under function test
006-25X-XXX Diskette interface Error	<ol style="list-style-type: none"> 1. Diskette drive cable 2. Diskette drive 3. System board
011-000-XXX Serial port Interface Test Passed	No action
011-001-XXX Serial port Presence	<ol style="list-style-type: none"> 1. Remove external serial device, if present 2. Run setup, enable port 3. System board
011-002-XXX 011-003-XXX Serial port Timeout/Parity error	System board
011-013-XXX 011-014-XXX Serial port Control Signal/Loopback test failure	System board
011-015-XXX Serial port External Loopback failure	<ol style="list-style-type: none"> 1. Wrap plug 2. System board
011-027-XXX Serial port Configuration/Setup error	<ol style="list-style-type: none"> 1. Run Setup, enable port 2. Flash the system. See "Flash update procedures" on page 379 3. System board
011-03X-XXX 011-04X-XXX Serial port failure	System board
011-195-XXX Serial port Test aborted by user	Information only Re-start the test, if necessary
011-196-XXX Serial port test halt, error threshold exceeded	<ol style="list-style-type: none"> 1. Press F3 to review the log file 2. Re-start the test to reset the log file

Diagnostic Error Code	FRU/Action
011-197-XXX Serial port test warning	<ol style="list-style-type: none"> 1. Make sure the component that is called out is connected and/or enabled. See Chapter 6, "Using the Setup Utility," on page 49 2. Re-run test 3. Replace the component that is called out in warning statement 4. Replace the component under test
011-198-XXX Serial port test aborted	<ol style="list-style-type: none"> 1. If a component is called out, make sure it is connected and/or enabled. See Chapter 6, "Using the Setup Utility," on page 49 2. Flash the system and re-test. See "Flash update procedures" on page 379 3. Go to "Undetermined problems" on page 79
011-199-XXX Serial port test failed, cause unknown	<ol style="list-style-type: none"> 1. Go to "Undetermined problems" on page 79 2. Flash the system and re-test. See "Flash update procedures" on page 379 3. Replace component under function test
011-2XX-XXX Serial port signal failure	<ol style="list-style-type: none"> 1. External serial device 2. System board
014-000-XXX Parallel port Interface Test Passed	No action
014-001-XXX Parallel port Presence	<ol style="list-style-type: none"> 1. Remove external parallel device, if present 2. Run setup, enable port 3. System board
014-002-XXX 014-003-XXX Parallel port Timeout/Parity error	System board
014-013-XXX 014-014-XXX Parallel port Control Signal/Loopback test failure	System board
014-015-XXX Parallel port External Loopback failure	<ol style="list-style-type: none"> 1. Wrap plug 2. System board
014-027-XXX Parallel port Configuration/Setup error	<ol style="list-style-type: none"> 1. Run Setup, enable port 2. Flash the system. See "Flash update procedures" on page 379 3. System board
014-03X-XXX 014-04X-XXX Parallel port failure	System board
014-195-XXX Parallel port Test aborted by user	Information only Re-start the test, if necessary

Diagnostic Error Code	FRU/Action
014-196-XXX Parallel port test halt, error threshold exceeded	<ol style="list-style-type: none"> 1. Press F3 to review the log file 2. Re-start the test to reset the log file
014-197-XXX Parallel port test warning	<ol style="list-style-type: none"> 1. Make sure the component that is called out is connected and/or enabled. See Chapter 6, "Using the Setup Utility," on page 49 2. Re-run test 3. Replace the component that is called out in warning statement 4. Replace the component under test
014-198-XXX Parallel port test aborted	<ol style="list-style-type: none"> 1. If a component is called out, make sure it is connected and/or enabled 2. Flash the system and re-test. See "Flash update procedures" on page 379 3. Go to "Undetermined problems" on page 79
014-199-XXX Parallel port test failed, cause unknown	<ol style="list-style-type: none"> 1. Go to "Undetermined problems" on page 79 2. Flash the system and re-test. See "Flash update procedures" on page 379 3. Replace component under function test
014-2XX-XXX 014-3XX-XXX Parallel port failure	<ol style="list-style-type: none"> 1. External parallel device 2. System board
015-000-XXX USB port Interface Test Passed	No action
015-001-XXX USB port Presence	<ol style="list-style-type: none"> 1. Remove USB device(s) and re-test 2. System board
015-002-XXX USB port Timeout	<ol style="list-style-type: none"> 1. Remove USB device(s) and re-test 2. System board
015-015-XXX USB port External Loopback failure	<ol style="list-style-type: none"> 1. Remove USB device(s) and re-test 2. System board
015-027-XXX USB port Configuration/Setup error	<ol style="list-style-type: none"> 1. Flash the system. See "Flash update procedures" on page 379 2. System board
015-032-XXX USB port Device Controller failure	System board
015-034-XXX USB port buffer allocation failure	<ol style="list-style-type: none"> 1. Reboot the system 2. Flash the system and re-test. See "Flash update procedures" on page 379 3. Run memory test 4. System board
015-035-XXX USB port Reset condition detected	<ol style="list-style-type: none"> 1. Remove USB device(s) and re-test 2. System board

Diagnostic Error Code	FRU/Action
015-036-XXX USB port Register error	System board
015-040-XXX USB port IRQ failure	<ol style="list-style-type: none"> 1. Run setup and check for conflicts 2. Flash the system. See "Flash update procedures" on page 379 3. System board
015-195-XXX USB port Test aborted by user	Information only Re-start the test, if necessary
015-196-XXX USB port test halt, error threshold exceeded	<ol style="list-style-type: none"> 1. Press F3 to review the log file 2. Re-start the test to reset the log file
015-197-XXX USB port test warning	<ol style="list-style-type: none"> 1. Make sure the component that is called out is connected and/or enabled. See Chapter 6, "Using the Setup Utility," on page 49 2. Re-run test 3. Replace the component that is called out in warning statement 4. Replace the component under test
015-198-XXX USB port test aborted	<ol style="list-style-type: none"> 1. If a component is called out, make sure it is connected and/or enabled. See Chapter 6, "Using the Setup Utility," on page 49 2. Flash the system and re-test. See "Flash update procedures" on page 379 3. Go to "Undetermined problems" on page 79
015-199-XXX USB port test failed, cause unknown	<ol style="list-style-type: none"> 1. Go to "Undetermined problems" on page 79 2. Flash the system and re-test. See "Flash update procedures" on page 379 3. Replace component under function test
018-000-XXX PCI Card Test Passed	No action
018-0XX-XXX PCI Card Failure	<ol style="list-style-type: none"> 1. Riser card, if installed 2. System board
018-195-XXX PCI Card Test aborted by user	<ol style="list-style-type: none"> 1. PCI card 2. Information only Re-start the test, if necessary
018-196-XXX PCI Card test halt, error threshold exceeded	<ol style="list-style-type: none"> 1. Press F3 to review the log file 2. Re-start the test to reset the log file

Diagnostic Error Code	FRU/Action
018-197-XXX PCI Card test warning	<ol style="list-style-type: none"> 1. Make sure the component that is called out is connected and/or enabled. See Chapter 6, "Using the Setup Utility," on page 49 2. Re-run test 3. Replace the component that is called out in warning statement 4. Replace the component under test
018-198-XXX PCI Card test aborted	<ol style="list-style-type: none"> 1. If a component is called out, make sure it is connected and/or enabled. See Chapter 6, "Using the Setup Utility," on page 49 2. Flash the system and re-test. See "Flash update procedures" on page 379 3. Go to "Undetermined problems" on page 79
018-199-XXX PCI Card test failed, cause unknown	<ol style="list-style-type: none"> 1. Go to "Undetermined problems" on page 79 2. Flash the system and re-test. See "Flash update procedures" on page 379 3. Replace component under function test
018-250-XXX PCI Card Services error	<ol style="list-style-type: none"> 1. PCI card 2. Riser card, if installed 3. System board
020-000-XXX PCI Interface Test Passed	No action
020-0XX-XXX PCI Interface error	<ol style="list-style-type: none"> 1. PCI card 2. Riser card, if installed 3. System board
020-195-XXX PCI Test aborted by user	Information only Re-start the test, if necessary
020-196-XXX PCI test halt, error threshold exceeded	<ol style="list-style-type: none"> 1. Press F3 to review the log file 2. Re-start the test to reset the log file
020-197-XXX PCI test warning	<ol style="list-style-type: none"> 1. Make sure the component that is called out is connected and/or enabled. See Chapter 6, "Using the Setup Utility," on page 49 2. Re-run test 3. Replace the component that is called out in warning statement 4. Replace the component under test

Diagnostic Error Code	FRU/Action
020-198-XXX PCI test aborted	<ol style="list-style-type: none"> 1. If a component is called out, make sure it is connected and/or enabled. See Chapter 6, "Using the Setup Utility," on page 49 2. Flash the system and re-test. See "Flash update procedures" on page 379 3. Go to "Undetermined problems" on page 79
020-199-XXX PCI test failed, cause unknown	<ol style="list-style-type: none"> 1. Go to "Undetermined problems" on page 79 2. Flash the system and re-test. See "Flash update procedures" on page 379 3. Replace component under function test
020-262-XXX PCI system error	<ol style="list-style-type: none"> 1. PCI card 2. Riser card, if installed 3. System board
025-000-XXX IDE interface Test Passed	No action
025-00X-XXX 025-01X-XXX IDE interface failure	<ol style="list-style-type: none"> 1. IDE signal cable 2. Check power supply voltages 3. Reseat IDE signal cable 4. IDE device 5. System board
025-027-XXX IDE interface Configuration/Setup error	<ol style="list-style-type: none"> 1. IDE signal cable 2. Flash the system. See "Flash update procedures" on page 379 3. Reseat IDE signal cable 4. IDE device 5. System board
025-02X-XXX 025-03X-XXX 025-04X-XXX IDE Interface failure	<ol style="list-style-type: none"> 1. IDE signal cable 2. Check power supply 3. Reseat IDE signal cable 4. IDE device 5. System board
025-195-XXX IDE interface Test aborted by user	Information only Re-start the test, if necessary
025-196-XXX IDE interface test halt, error threshold exceeded	<ol style="list-style-type: none"> 1. Press F3 to review the log file 2. Re-start the test to reset the log file
025-197-XXX IDE interface test warning	<ol style="list-style-type: none"> 1. Make sure the component that is called out is connected and/or enabled. See Chapter 6, "Using the Setup Utility," on page 49 2. Re-run test 3. Replace the component that is called out in warning statement 4. Replace the component under test

Diagnostic Error Code	FRU/Action
025-198-XXX IDE interface test aborted	<ol style="list-style-type: none"> 1. If a component is called out, make sure it is connected and/or enabled. See Chapter 6, "Using the Setup Utility," on page 49 2. Flash the system and re-test. See "Flash update procedures" on page 379 3. Go to "Undetermined problems" on page 79
025-199-XXX IDE interface test failed, cause unknown	<ol style="list-style-type: none"> 1. Go to "Undetermined problems" on page 79 2. Flash the system and re-test. See "Flash update procedures" on page 379 3. Replace component under function test
030-000-XXX SCSI interface Test Passed	No action
030-00X-XXX 030-01X-XXX SCSI interface failure	<ol style="list-style-type: none"> 1. SCSI signal cable 2. Check power supply 3. SCSI device 4. SCSI adapter card, if installed 5. System board
030-027-XXX SCSI interface Configuration/Setup error	<ol style="list-style-type: none"> 1. SCSI signal cable 2. Flash the system. See "Flash update procedures" on page 379 3. SCSI device 4. SCSI adapter card, if installed 5. System board
030-03X-XXX 030-04X-XXX SCSI interface error	<ol style="list-style-type: none"> 1. SCSI signal cable 2. Check power supply 3. SCSI device 4. SCSI adapter card, if installed 5. System board
030-195-XXX SCSI interface Test aborted by user	Information only Re-start the test, if necessary
030-196-XXX SCSI interface test halt, error threshold exceeded	<ol style="list-style-type: none"> 1. Press F3 to review the log file 2. Re-start the test to reset the log file
030-197-XXX SCSI interface test warning	<ol style="list-style-type: none"> 1. Make sure the component that is called out is connected and/or enabled. See Chapter 6, "Using the Setup Utility," on page 49 2. Re-run test 3. Replace the component that is called out in warning statement 4. Replace the component under test

Diagnostic Error Code	FRU/Action
030-198-XXX SCSI interface test aborted	<ol style="list-style-type: none"> 1. If a component is called out, make sure it is connected and/or enabled. See Chapter 6, "Using the Setup Utility," on page 49 2. Flash the system and re-test. See "Flash update procedures" on page 379 3. Go to "Undetermined problems" on page 79
030-199-XXX SCSI interface test failed, cause unknown	<ol style="list-style-type: none"> 1. Go to "Undetermined problems" on page 79 2. Flash the system and re-test. See "Flash update procedures" on page 379 3. Replace component under function test
035-000-XXX RAID interface Test Passed	No action
035-0XX-XXX RAID interface Failure	<ol style="list-style-type: none"> 1. RAID signal cable 2. RAID device 3. RAID adapter card, if installed 4. System board
035-195-XXX RAID interface Test aborted by user	Information only Re-start the test, if necessary
035-196-XXX RAID interface test halt, error threshold exceeded	<ol style="list-style-type: none"> 1. Press F3 to review the log file 2. Re-start the test to reset the log file
035-197-XXX RAID interface test warning	<ol style="list-style-type: none"> 1. Make sure the component that is called out is connected and/or enabled. See Chapter 6, "Using the Setup Utility," on page 49 2. Re-run test 3. Replace the component that is called out in warning statement 4. Replace the component under test
035-198-XXX RAID interface test aborted	<ol style="list-style-type: none"> 1. If a component is called out, make sure it is connected and/or enabled. See Chapter 6, "Using the Setup Utility," on page 49 2. Flash the system and re-test. See "Flash update procedures" on page 379 3. Go to "Undetermined problems" on page 79
035-199-XXX RAID interface test failed, cause unknown	<ol style="list-style-type: none"> 1. See "Undetermined problems" on page 79 2. Flash the system and re-test. See "Flash update procedures" on page 379 3. Replace component under function test
071-000-XXX Audio port Interface Test Passed	No action

Diagnostic Error Code	FRU/Action
071-00X-XXX 071-01X-XXX 071-02X-XXX Audio port error	<ol style="list-style-type: none"> 1. Run Setup 2. Flash the system. See "Flash update procedures" on page 379 3. System board
071-03X-XXX Audio port failure	<ol style="list-style-type: none"> 1. Speakers 2. Microphone 3. Audio card, if installed 4. System board
071-04X-XXX Audio port failure	<ol style="list-style-type: none"> 1. Run Setup 2. Audio card, if installed 3. System board
071-195-XXX Audio port Test aborted by user	<p>Information only Re-start the test, if necessary</p>
071-196-XXX Audio port test halt, error threshold exceeded	<ol style="list-style-type: none"> 1. Press F3 to review the log file 2. Re-start the test to reset the log file
071-197-XXX Audio port test warning	<ol style="list-style-type: none"> 1. Make sure the component that is called out is connected and/or enabled. See Chapter 6, "Using the Setup Utility," on page 49 2. Re-run test 3. Replace the component that is called out in warning statement 4. Replace the component under test
071-198-XXX Audio port test aborted	<ol style="list-style-type: none"> 1. If a component is called out, make sure it is connected and/or enabled. See Chapter 6, "Using the Setup Utility," on page 49 2. Flash the system and re-test. See "Flash update procedures" on page 379 3. Go to "Undetermined problems" on page 79
071-199-XXX Audio port test failed, cause unknown	<ol style="list-style-type: none"> 1. See "Undetermined problems" on page 79 2. Flash the system and re-test. See "Flash update procedures" on page 379 3. Replace component under function test
071-25X-XXX Audio port failure	<ol style="list-style-type: none"> 1. Speakers 2. Audio card, if installed 3. System board
080-000-XXX Game Port interface Test Passed	No action
080-XXX-XXX Game Port interface Error	<ol style="list-style-type: none"> 1. Remove the game port device and re-test the system
080-195-XXX Game Port interface Test aborted by user	<p>Information only Re-start the test, if necessary</p>

Diagnostic Error Code	FRU/Action
080-196-XXX Game Port interface test halt, error threshold exceeded	<ol style="list-style-type: none"> 1. Press F3 to review the log file 2. Re-start the test to reset the log file
080-197-XXX Game Port interface test warning	<ol style="list-style-type: none"> 1. Make sure the component that is called out is connected and/or enabled. See Chapter 6, "Using the Setup Utility," on page 49 2. Re-run test 3. Replace the component that is called out in warning statement 4. Replace the component under test
080-198-XXX Game Port interface test aborted	<ol style="list-style-type: none"> 1. If a component is called out, make sure it is connected and/or enabled. See Chapter 6, "Using the Setup Utility," on page 49 2. Flash the system and re-test. See "Flash update procedures" on page 379 3. Go to "Undetermined problems" on page 79
080-199-XXX Game Port interface test failed, cause unknown	<ol style="list-style-type: none"> 1. See "Undetermined problems" on page 79 2. Flash the system and re-test. See "Flash update procedures" on page 379 3. Replace component under function test
086-000-XXX Mouse Port interface Test Passed	No action
086-001-XXX Mouse Port interface Presence	<ol style="list-style-type: none"> 1. Mouse 2. System board
086-032-XXX Mouse Port interface Device controller failure	<ol style="list-style-type: none"> 1. Mouse 2. System board
086-035-XXX Mouse Port interface Reset	<ol style="list-style-type: none"> 1. Mouse 2. System board
086-040-XXX Mouse Port interface IRQ failure	<ol style="list-style-type: none"> 1. Run Setup 2. Mouse 3. System board
086-195-XXX Mouse Port interface Test aborted by user	Information only Re-start the test, if necessary
086-196-XXX Mouse Port interface test halt, error threshold exceeded	<ol style="list-style-type: none"> 1. Press F3 to review the log file 2. Re-start the test to reset the log file

Diagnostic Error Code	FRU/Action
086-197-XXX Mouse Port interface test warning	<ol style="list-style-type: none"> 1. Make sure the component that is called out is connected and/or enabled. See Chapter 6, "Using the Setup Utility," on page 49 2. Re-run test 3. Replace the component that is called out in warning statement 4. Replace the component under test
086-198-XXX Mouse Port interface test aborted	<ol style="list-style-type: none"> 1. If a component is called out, make sure it is connected and/or enabled. See Chapter 6, "Using the Setup Utility," on page 49 2. Flash the system and re-test. See "Flash update procedures" on page 379 3. Go to "Undetermined problems" on page 79
086-199-XXX Mouse Port interface test failed, cause unknown	<ol style="list-style-type: none"> 1. See "Undetermined problems" on page 79 2. Flash the system and re-test. See "Flash update procedures" on page 379 3. Replace component under function test
089-000-XXX Microprocessor Test Passed	No action
089-XXX-XXX Microprocessor failure	<ol style="list-style-type: none"> 1. Microprocessor(s) 2. System board
089-195-XXX Microprocessor Test aborted by user	Information only Re-start the test, if necessary
089-196-XXX Microprocessor test halt, error threshold exceeded	<ol style="list-style-type: none"> 1. Press F3 to review the log file 2. Re-start the test to reset the log file
089-197-XXX Microprocessor test warning	<ol style="list-style-type: none"> 1. Make sure the component that is called out is connected and/or enabled. See Chapter 6, "Using the Setup Utility," on page 49 2. Re-run test 3. Replace the component that is called out in warning statement 4. Replace the component under test
089-198-XXX Microprocessor test aborted	<ol style="list-style-type: none"> 1. Flash the system. See "Flash update procedures" on page 379 2. Go to "Undetermined problems" on page 79
089-199-XXX Microprocessor test failed, cause unknown	<ol style="list-style-type: none"> 1. See "Undetermined problems" on page 79 2. Flash the system and re-test. See "Flash update procedures" on page 379 3. Replace component under function test
170-000-XXX Voltage Sensor(s) Test Passed	No action

Diagnostic Error Code	FRU/Action
170-0XX-XXX Voltage Sensor(s) failure	<ol style="list-style-type: none"> 1. Flash system 2. System board
170-195-XXX Voltage Sensor(s) Test aborted by user	Information only Re-start the test, if necessary
170-196-XXX Voltage Sensor(s) test halt, error threshold exceeded	<ol style="list-style-type: none"> 1. Press F3 to review the log file 2. Re-start the test to reset the log file
170-197-XXX Voltage Sensor(s) test warning	<ol style="list-style-type: none"> 1. Make sure the component that is called out is connected and/or enabled. See Chapter 6, "Using the Setup Utility," on page 49 2. Re-run test 3. Replace the component that is called out in warning statement 4. Replace the component under test
170-198-XXX Voltage Sensor(s) test aborted	<ol style="list-style-type: none"> 1. If a component is called out, make sure it is connected and/or enabled. See Chapter 6, "Using the Setup Utility," on page 49 2. Flash the system and re-test. See "Flash update procedures" on page 379 3. Go to "Undetermined problems" on page 79
170-199-XXX Voltage Sensor(s) test failed, cause unknown	<ol style="list-style-type: none"> 1. See "Undetermined problems" on page 79 2. Flash the system and re-test. See "Flash update procedures" on page 379 3. Replace component under function test
170-250-XXX 170-251-XXX Voltage Sensor(s) Voltage limit error	<ol style="list-style-type: none"> 1. Power supply 2. System board
170-254-XXX Voltage Sensor(s) Voltage Regulator Module error	<ol style="list-style-type: none"> 1. Voltage Regulator Module (VRM) 2. Microprocessor 3. System board
175-000-XXX Thermal Sensor(s) Test Passed	No action
175-0XX-XXX Thermal Sensor(s) failure	<ol style="list-style-type: none"> 1. Flash system 2. System board
175-195-XXX Thermal Sensor(s) Test aborted by user	Information only Re-start the test, if necessary
175-196-XXX Thermal Sensor(s) test halt, error threshold exceeded	<ol style="list-style-type: none"> 1. Press F3 to review the log file 2. Re-start the test to reset the log file

Diagnostic Error Code	FRU/Action
175-197-XXX Thermal Sensor(s) test warning	<ol style="list-style-type: none"> 1. Make sure the component that is called out is connected and/or enabled. See Chapter 6, "Using the Setup Utility," on page 49 2. Re-run test 3. Replace the component that is called out in warning statement 4. Replace the component under test
175-198-XXX Thermal Sensor(s) test aborted	<ol style="list-style-type: none"> 1. If a component is called out, make sure it is connected and/or enabled 2. Flash the system and re-test. See "Flash update procedures" on page 379 3. Go to "Undetermined problems" on page 79
175-199-XXX Thermal Sensor(s) test failed, cause unknown	<ol style="list-style-type: none"> 1. See "Undetermined problems" on page 79 2. Flash the system and re-test. See "Flash update procedures" on page 379 3. Replace component under function test
175-250-XXX 175-251-XXX Thermal Sensor(s) limit error	<ol style="list-style-type: none"> 1. Check fans 2. Check Power supply voltages 3. Microprocessor 4. System board
185-000-XXX Asset Security Test Passed	No action
185-XXX-XXX Asset Security failure	<ol style="list-style-type: none"> 1. Flash system 2. System board
185-278-XXX Asset Security Chassis Intrusion	<ol style="list-style-type: none"> 1. Assure Asset Security Enabled 2. C2 Cover Switch 3. System board
201-000-XXX System Memory Test Passed	No action
201-XXX-XXX System Memory error	<ol style="list-style-type: none"> 1. Replace the memory module called out by the test 2. System board
202-000-XXX System Cache Test Passed	No action
202-XXX-XXX System Cache error	<ol style="list-style-type: none"> 1. Cache, if removable 2. System board 3. Microprocessor
206-000-XXX Diskette Drive Test Passed	No action
206-XXX-XXX Diskette Drive error	<ol style="list-style-type: none"> 1. Diskette Drive Cable 2. Check power supply voltages 3. Diskette drive 4. System board

Diagnostic Error Code	FRU/Action
215-000-XXX CD-ROM Drive Test Passed	No action
215-XXX-XXX CD-ROM Drive error	<ol style="list-style-type: none"> 1. CD-ROM Drive Cable 2. Check power supply voltages 3. CD-ROM drive 4. System board
217-000-XXX Hard Disk Drive Test Passed	No action
217-25X-XXX 217-26X-XXX Hard Disk Drive (IDE) error	<ol style="list-style-type: none"> 1. Hard Disk Drive Cable 2. Check power supply voltages 3. Reseat the hard disk drive cable 4. Hard Disk drive (IDE) 5. System board
217-28X-XXX 217-29X-XXX Hard Disk Drive (SCSI) error	<ol style="list-style-type: none"> 1. Hard Disk Drive Cable 2. Check power supply voltages 3. Reseat the hard disk drive cable 4. Hard Disk drive (SCSI) 5. SCSI adapter card 6. System board
220-000-XXX Hi-Capacity Cartridge Drive Test Passed	No action
220-XXX-XXX Hi-Capacity Cartridge Drive error	<ol style="list-style-type: none"> 1. Remove the Hi-Capacity Cartridge Drive and re-test the system
301-XXX-XXX Keyboard error	<ol style="list-style-type: none"> 1. Keyboard 2. Check and test mouse 3. System board
301-000-XXX Keyboard Test Passed	No action
302-000-XXX Mouse Test Passed	No action
302-XXX-XXX Mouse error	<ol style="list-style-type: none"> 1. Mouse 2. Check and test Keyboard 3. System board
303-000-XXX Joystick Test Passed	No action
303-XXX-XXX Joystick error	Remove the Joystick and re-test the system
305-000-XXX Monitor DDC Test Passed	No action
305-250-XXX Monitor DDC self test failure	<ol style="list-style-type: none"> 1. Run Setup to enable DDC 2. Cable 3. Monitor 4. Video card 5. System board

Diagnostic Error Code	FRU/Action
415-000-XXX Modem Test Passed	No action
415-XXX-XXX Modem error	Remove the Modem and re-test the system

Beep symptoms

Beep symptoms are tones or a series of tones separated by pauses (intervals without sound) during POST.

The following tables describes beep symptoms.

Beep Symptom	FRU/Action
2 short beeps CMOS setting error	Perform the following actions in order. <ol style="list-style-type: none">1. Start the Setup Utility program and press F10 to Save and exit. See Chapter 6, "Using the Setup Utility," on page 49.2. Start the Setup Utility program and press F7 to load defaults and then press F10 to Save and exit.3. Perform a Boot block recovery. See "Updating (flashing) BIOS from your operating system" on page 380.
1 long and 2 short beeps Monitor or video adapter card error	Perform the following actions in order. <ol style="list-style-type: none">1. Make sure the monitor is properly connected to the computer.2. Replace the video adapter card (if present).3. Replace the system board.
1 long and 3 short beeps Keyboard error	Perform the following actions in order. <ol style="list-style-type: none">1. Make sure the keyboard is properly connected to the keyboard connector.2. Replace the keyboard.3. Replace the system board.
1 long and 9 short beeps BIOS ROM error	Perform the following actions in order. <ol style="list-style-type: none">1. Start the Setup Utility program and press F7 to load defaults and then press F10 to Save and exit. See Chapter 6, "Using the Setup Utility," on page 49.2. Perform a Boot block recovery. See "Updating (flashing) BIOS from your operating system" on page 380.3. Replace the system board.
Continuos long beeps DRAM memory error	Perform the following actions in order. <ol style="list-style-type: none">1. Make sure the memory module(s) are properly seated in the connector(s).2. Replace the memory module(s).3. Replace the system board.

POST error codes

Each time you power-on the system, it performs a series of tests that check the operation of the system and some options. This series of tests is called the *Power-On Self-Test*, or *POST*. POST does the following operations.

- Checks some basic system-board operations
- Checks the memory operation
- Starts the video operation
- Verifies that the boot drive is working

If the POST detects a problem, an error message appears on the screen. A single problem can cause several error messages to appear. When you correct the cause of the first error message, the other error messages probably will not appear on the screen the next time you turn on the system.

POST Error Message	Description/Action
CMOS battery failed	The CMOS battery is no longer functional. Replace the battery.
CMOS checksum error - defaults loaded	Checksum of CMOS is incorrect. The computer loads the default configuration settings. This error might indicate that CMOS has become corrupt due to a weak CMOS battery.
CPU at nnnn	nnnn is the running speed of the microprocessor.
Press Esc to skip memory test	Pressing Esc skips the full memory test
HARD DISK INSTALL FAILURE	Cannot find or initialize the hard disk drive controller or the drive. Make sure the hard disk drive is correctly installed. If no hard disk drives are installed, make sure the hard disk drive selection in Setup is set to NONE.
Keyboard error or no keyboard present	Cannot initialize the keyboard. Make sure the keyboard is properly connected to the computer and that no keys are held pressed during POST. To purposely configure the computer without a keyboard, set the error halt condition in Setup to HALT ON ALL, BUT KEYBOARD. The BIOS then ignores the missing keyboard during POST.
Memory Test:	This message displays during a full memory test, counting down the memory areas being tested.
Memory test fail	If POST detects an error during memory testing, additional information appears. This information gives specifics about the type and location of the memory error.

POST Error Message	Description/Action
Press TAB to show POST screen	Pressing the TAB key permits the user to toggle between the default POST display screen and a custom POST display screen.
Error: Non-System disk or disk error Replace and press any key when ready	<p>The BIOS was unable to find a suitable boot device.</p> <p>Make sure the boot drive is properly connected to the computer.</p> <p>Make sure you have bootable media.</p>

Miscellaneous error messages

Message/Symptom	FRU/Action
Changing display colors	Display/Monitor
Computer will <i>not</i> power-off. See "Power Supply Problems" on page 53.	<ol style="list-style-type: none"> Power Switch System Board Riser card, if installed
Computer will <i>not</i> RPL from server	<ol style="list-style-type: none"> Ensure that network is in startup sequence as first device or first device after diskette Ensure that network adapter is enabled for RPL Network adapter (Advise network administrator of new MAC address)
Computer will <i>not</i> perform a Wake On LAN [®] (if applicable)	<ol style="list-style-type: none"> Check power supply and signal cable connections to network adapter Ensure that the operating system settings are set to enable Wake on LAN[®] Ensure Wake On LAN feature is enabled in Setup/Configuration (see "Starting the Setup Utility program" on page 49) Ensure network administrator is using correct MAC address Ensure no interrupt or I/O address conflicts Network adapter (advise network administrator of new MAC address)
Dead computer. See "Power Supply Problems" on page 53.	<ol style="list-style-type: none"> Power Supply System Board
Diskette drive in-use light remains on or does not light when drive is active.	<ol style="list-style-type: none"> Diskette Drive System Board Diskette Drive Cable
Flashing cursor with an otherwise blank display.	<ol style="list-style-type: none"> System Board Primary Hard Disk Drive Hard Disk Drive Cable
Incorrect memory size during POST	<ol style="list-style-type: none"> Run the Memory tests Memory Module System Board
"Insert a Diskette" icon appears with a known-good diagnostics diskette in the first 3.5-inch diskette drive.	<ol style="list-style-type: none"> System Board Diskette Drive Cable Network Adapter
Intensity or color varies from left to right of characters and color bars	<ol style="list-style-type: none"> Display Video adapter (if present) System Board
No power or fan not running	<ol style="list-style-type: none"> See "Power Supply Problems" on page 53.

Message/Symptom	FRU/Action
Non-system disk or disk error-type message with a known-good diagnostic diskette.	<ol style="list-style-type: none"> 1. Diskette Drive 2. System Board 3. Diskette Drive Cable
Other display symptoms not listed above (including blank or illegible display)	<ol style="list-style-type: none"> 1. Display 2. System Board
Power-on indicator or hard disk drive in-use light not on, but computer works correctly	<ol style="list-style-type: none"> 1. Power switch/LED assembly 2. System Board
Printer problems	<ol style="list-style-type: none"> 1. Printer 2. System Board
Program loads from the hard disk with a known-good diagnostics diskette in the first 3.5-inch diskette drive	<ol style="list-style-type: none"> 1. Run Setup and check Startup sequence. 2. Diskette Drive 3. Diskette Drive Cable 4. System Board 5. Power Supply
RPL computer cannot access programs from its own hard disk.	<ol style="list-style-type: none"> 1. If network administrator is using LCCM Hybrid RPL, check startup sequence: <ol style="list-style-type: none"> a. First device - network b. Second device - hard disk 2. Hard disk drive
RPL computer does not RPL from server	<ol style="list-style-type: none"> 1. Check startup sequence 2. Check the network adapter LED status
Serial or parallel port device failure (system board port)	<ol style="list-style-type: none"> 1. External Device Self-Test OK? 2. External Device 3. Cable 4. System Board
Serial or parallel port device failure (adapter port)	<ol style="list-style-type: none"> 1. External Device Self-Test OK? 2. External Device 3. Cable 4. Alternate Adapter 5. System Board
Some or all keys on the keyboard do not work	<ol style="list-style-type: none"> 1. Keyboard 2. Keyboard Cable 3. System Board

Undetermined problems

If this computer has a parallel ATA hard disk drive, make sure that the hard disk drive is jumpered as a master and the optical drive is jumpered as a slave.

1. Power-off the computer.
2. Remove or disconnect the following components (if installed) one at a time.
 - a. External devices (modem, printer, or mouse)
 - b. Any adapters

- c. Memory modules
 - d. Extended video memory
 - e. External Cache
 - f. External Cache RAM
 - g. Hard disk drive
 - h. Diskette drive
3. Power-on the computer to re-test the system.
 4. Repeat steps 1 through 3 until you find the failing device or adapter.

If all devices and adapters have been removed, and the problem continues, replace the system board.

Chapter 8. Replacing FRUs (Types 7258, 7260, 7268, 7270, 7280, 7296, 7298, 7304, 7307, 7413, 7491, and 7508)

Important

Before you replace any FRU, read “Important Safety Information” on page 1. These precautions and guidelines will help you work safely.

FRU replacements are to be done by trained service technicians only.

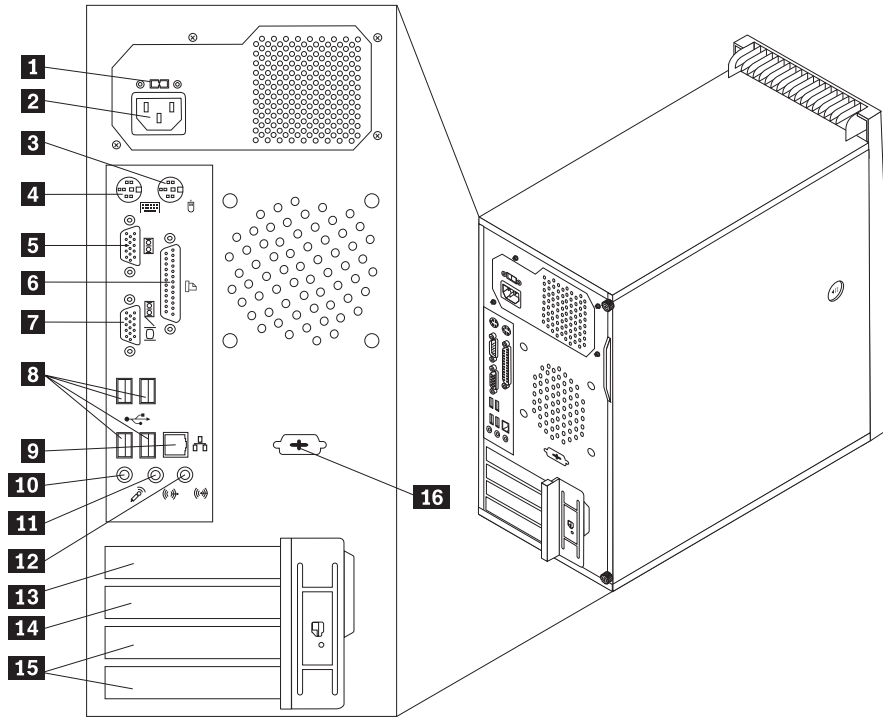
This chapter does not contain a remove and replace procedure for all FRUs. Only the major FRUs are documented.

Locations

The following illustrations help you locate the various connectors, controls, and components of the computer.

Rear connectors

The following illustration shows the locations of the connectors on the rear of the computer.



1 Voltage-selection switch (some models)

2 Power cord connector

3 Standard mouse connector

4 Standard keyboard connector

5 Serial port

6 Parallel port

7 VGA monitor connector

8 USB connectors (4)

9 Ethernet connector

10 Microphone connector

11 Audio line-out connector

12 Audio line-in connector

13 PCI Express x16 graphics adapter card slot

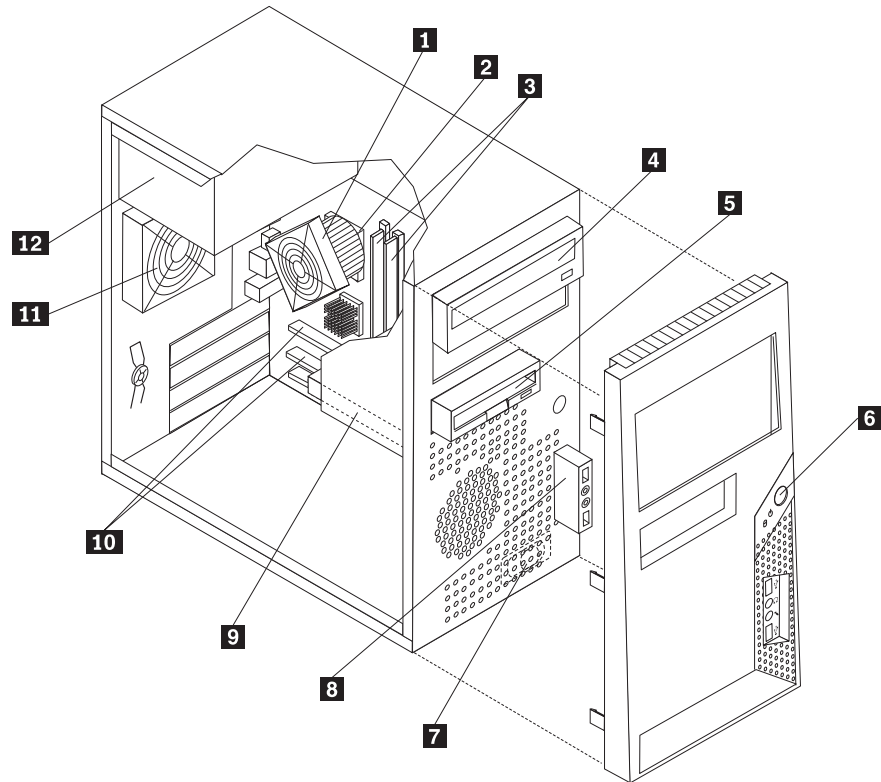
14 PCI Express x1 adapter card slot

15 PCI adapter card slots (2)

16 Serial port (some models)

Computer components

The following illustration will help you locate the major FRUs in the computer.

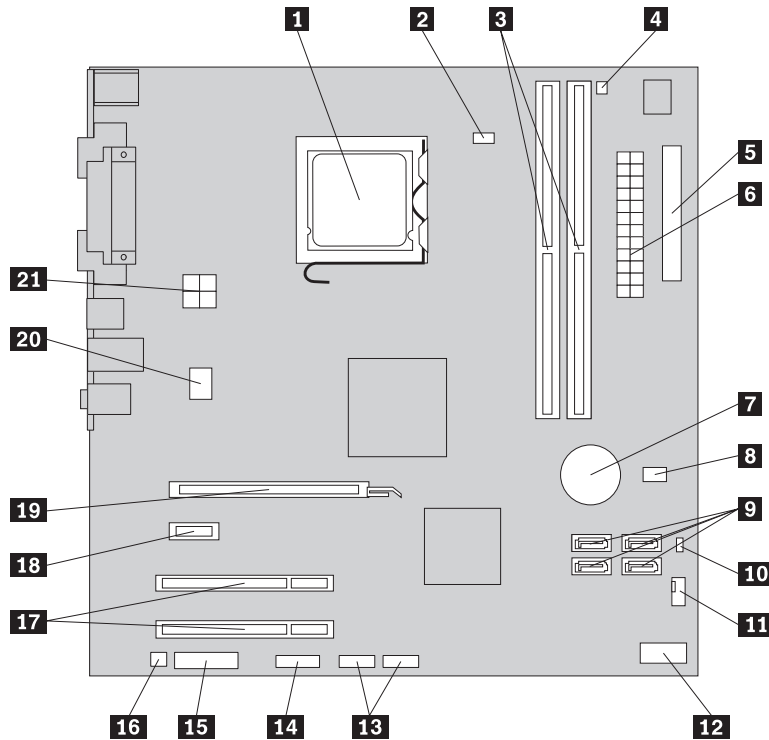


- 1** Heat sink, and fan assembly
- 2** Microprocessor
- 3** Memory
- 4** Optical drive
- 5** Diskette drive
- 6** Power switch / LED assembly

- 7** Internal speaker
- 8** Front audio / USB assembly
- 9** Hard disk drive
- 10** System board
- 11** Rear system fan
- 12** Power supply

System board connectors

This illustration is to help locate the various components and connectors on the system board.



- | | |
|--|--|
| 1 Microprocessor | 12 Front panel connector |
| 2 Microprocessor fan connector | 13 Front USB connectors (2) |
| 3 Memory slots (2) | 14 Serial (COM 2) connector |
| 4 Thermal sensor connector | 15 Front audio connector |
| 5 Diskette drive connector | 16 Internal speaker connector |
| 6 24-pin power connector | 17 PCI adapter card slots (2) |
| 7 Battery | 18 PCI Express x1 adapter card slot |
| 8 Cover presence (Intrusion) switch connector | 19 PCI Express x16 graphics adapter card slot |
| 9 SATA connectors (4) | 20 System fan connector |
| 10 Clear CMOS (Complementary Metal Oxide Semiconductor)/Recovery jumper | 21 4-pin power connector |
| 11 Power fan connector | |

Removing the computer cover

CAUTION:



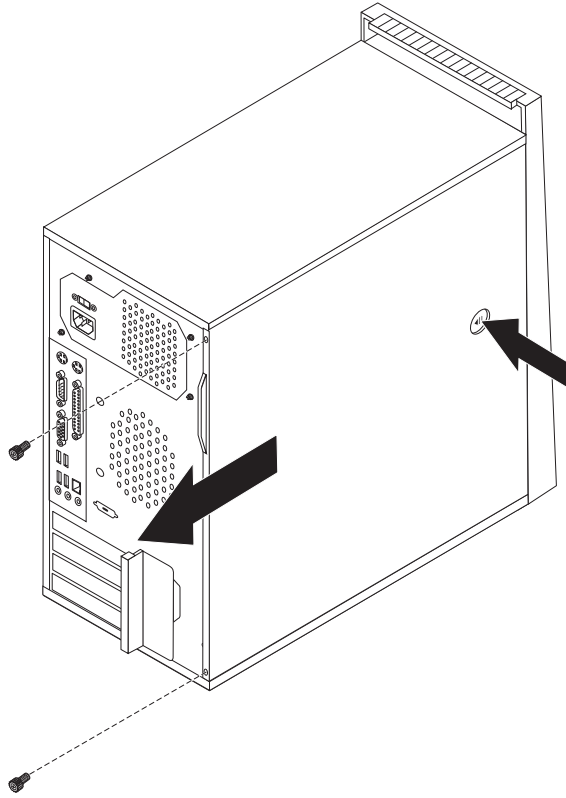
The heat sink and microprocessor might be very hot. Turn off the computer and wait three to five minutes to let the computer cool before opening the computer cover.

This section provides instructions on how to remove the computer cover.

To remove the computer cover:

1. Remove any media from the drives, shut down your operating system, and turn off all attached devices and the computer.
2. Unplug all power cords from electrical outlets.
3. Disconnect the cables attached to the computer. This includes power cords, input/output (I/O) cables, and any other cables that are connected to the computer.
4. Remove any locking devices, such as a cable lock that secures the computer cover.
5. If there are thumbscrews securing the cover, remove them.

6. Press the cover-release button on the side of the computer cover and slide the computer cover to the rear to remove.

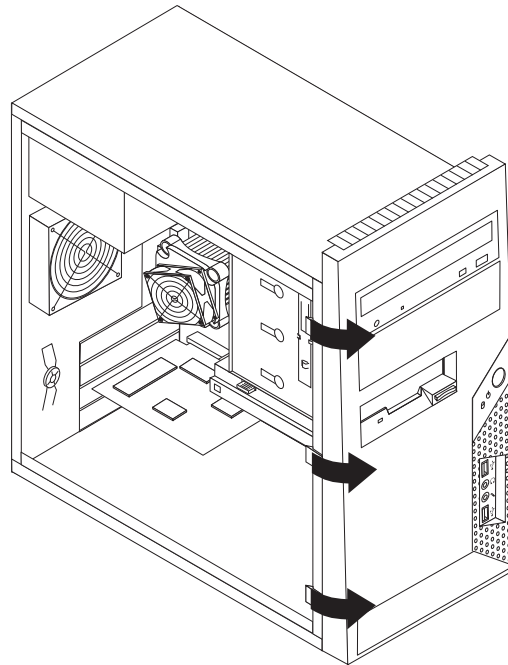


Removing and installing the front bezel

This section provides instructions on how to remove and install the front bezel.

To remove and install the front bezel:

1. Remove the computer cover. See “Removing the computer cover” on page 85.
2. Release the three plastic tabs on the left side of the front bezel and pivot the bezel outward. Carefully set the bezel to the side without disconnecting the power switch and LED assembly cable.



3. To reinstall the bezel, align the plastic tabs on the right side of the bezel with the corresponding holes in the chassis, then pivot the bezel inward until it snaps into position on the left side.
4. To complete the installation, go to “Completing the FRU replacement” on page 120.

Replacing the power supply assembly

Attention

Never remove the cover on a power supply or any part that has the following label attached.



Hazardous voltage, current, and energy levels are present inside any component that has this label attached. There are no servicable parts inside these components.

Attention

Do not open your computer or attempt any repair before reading and understanding the “Important safety information” in the *ThinkCentre Safety and Warranty Guide* that was included with your computer. To obtain a copy of the *ThinkCentre Safety and Warranty Guide*, go to:

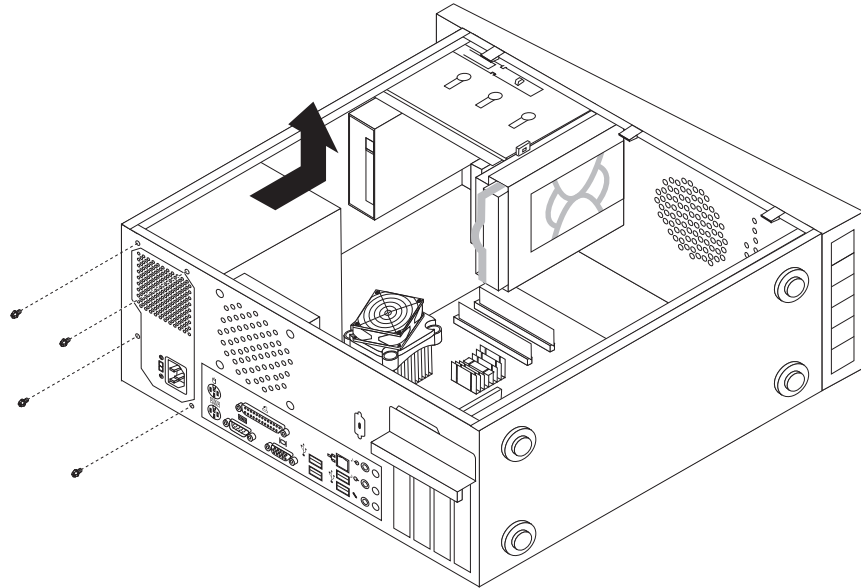
<http://www.lenovo.com/support>

This section provides instructions on how to replace the power supply assembly.

To replace the power supply assembly:

1. Remove the computer cover. See “Removing the computer cover” on page 85.
2. Lay the computer on its side.
3. Disconnect the power supply assembly cables from the system board and from all drives. See “System board connectors” on page 84.

4. Remove the four screws at the rear of the chassis that secure the power supply assembly.



5. Lift the power supply assembly out of the chassis.
6. Ensure that the new power supply assembly is the correct replacement. If your power supply assembly has a voltage-selection switch, ensure that you set the voltage-selection switch to match the voltage available at your electrical outlet. If necessary, use a ballpoint pen to slide the switch to a different position.
 - If the voltage supply range in your local country or region is 100–127 V AC, set the switch to 115 V.
 - If the voltage supply range in your local country or region is 200–240 V AC, set the switch to 230 V.
7. Install the new power supply assembly into the chassis so that the screw holes in the power supply assembly align with those in the chassis.
8. Install the four screws to secure the power supply.

Note: Use only the screws provided by Lenovo.

9. Reconnect the power supply cables to the system board and the drives.
10. Go to “Completing the FRU replacement” on page 120.

Replacing the system board

CAUTION:



The heat sink and microprocessor might be very hot. Turn off the computer and wait three to five minutes to let the computer cool before opening the computer cover.

Attention

Do not open your computer or attempt any repair before reading and understanding the “Important safety information” in the *ThinkCentre Safety and Warranty Guide* that came with your computer. To obtain a copy of the *ThinkCentre Safety and Warranty Guide*, go to: <http://www.lenovo.com/support>

Note: When replacing the system board a new retention module for the microprocessor heat sink is required. Make sure you have a new retention module before beginning this procedure.

This section provides instructions on how to remove and replace the system board. The procedure varies depending upon the machine type.

1. Remove the cover. See “Removing the computer cover” on page 85.
2. Place the computer on its right side to help make the system board more accessible.
3. Remove any adapter cards installed in the PCI connectors.
4. Disconnect the signal and power cables from the hard disk drive and remove the hard disk drive out of the chassis. See “Replacing the primary hard disk drive” on page 102.
5. Disconnect the heat sink and fan assembly cable from the system board. And lift the heat sink and fan assembly off the failing system board. See the system board illustration for your machine type at “System board connectors” on page 84.
6. Carefully take note of the location of all cable connections on the system board and disconnect all cables. See the system board illustration for your machine type at “System board connectors” on page 84.
7. Remove the screws that secure the system board to the chassis.
8. Remove the failing system board out of the chassis.
9. Install the new retention module to the new system board.
10. Remove the memory modules from the failing system board and install them in the same location on the new system board.
11. Install the new system board into the chassis and align the screw holes with those in the chassis. Insert and tighten the screws that secure the system board.
12. Install the new Microprocessor in the new system board. See “Replacing the microprocessor” on page 94.
13. Install the heat sink and fan assembly on the system board. See “Replacing the heat sink and fan assembly” on page 92.
14. Connect the heat sink and fan assembly cable to the new system board. See the system board illustration for your machine type at “System board connectors” on page 84.

15. Pivot the hard disk drive back into position.
16. Connect the power and signal cables to the hard disk drive.
17. Connect all cables to the system board. See the system board illustration for your machine type at "System board connectors" on page 84.
18. Go to "Completing the FRU replacement" on page 120.

Replacing the heat sink and fan assembly

CAUTION:



The heat sink and microprocessor might be very hot. Turn off the computer and wait three to five minutes to let the computer cool before opening the computer cover.

Attention

Do not open your computer or attempt any repair before reading and understanding the “Important safety information” in the *ThinkCentre Safety and Warranty Guide* that was included with your computer. To obtain a copy of the *ThinkCentre Safety and Warranty Guide*, go to:

<http://www.lenovo.com/support>

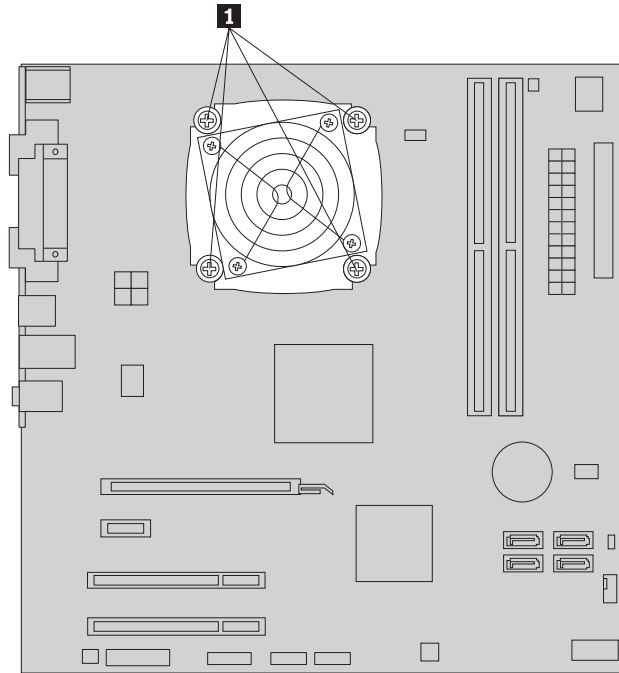
This section provides instructions on how to replace the heat sink and fan assembly.

To replace the heat sink and fan assembly:

1. Remove the computer cover. See “Removing the computer cover” on page 85.
2. Lay the computer on its side for easier access to the system board.
3. Locate the heat sink and fan assembly. See “System board connectors” on page 84.
4. Disconnect the heat sink and fan assembly cable from the microprocessor fan connector on the system board.

5. Remove the four screws **1** that secure the heat sink and fan assembly to the system board.

Note: Carefully remove the four screws from the system board to avoid any possible damage to the system board. The four screws cannot be removed from the heat sink and fan assembly.



6. Lift the failing heat sink and fan assembly off the system board.

Notes:

- a. You might have to gently twist the heat sink and fan assembly to free it from the microprocessor.
 - b. Do not touch the thermal grease while handling the heat sink and fan assembly.
7. Position the new heat sink and fan assembly on the microprocessor so that the four screws are aligned with the holes on the system board.

Note: Position the new heat sink and fan assembly so that the heat sink and fan assembly cable is toward the microprocessor fan connector on the system board.

8. Alternate tightening each screw a small and equal amount until the heat sink and fan assembly is secured to the system board. Do not over-tighten the screws.
9. Connect the heat sink and fan assembly cable to the microprocessor fan connector on the system board.
10. Go to “Completing the FRU replacement” on page 120.

Replacing the microprocessor

CAUTION:



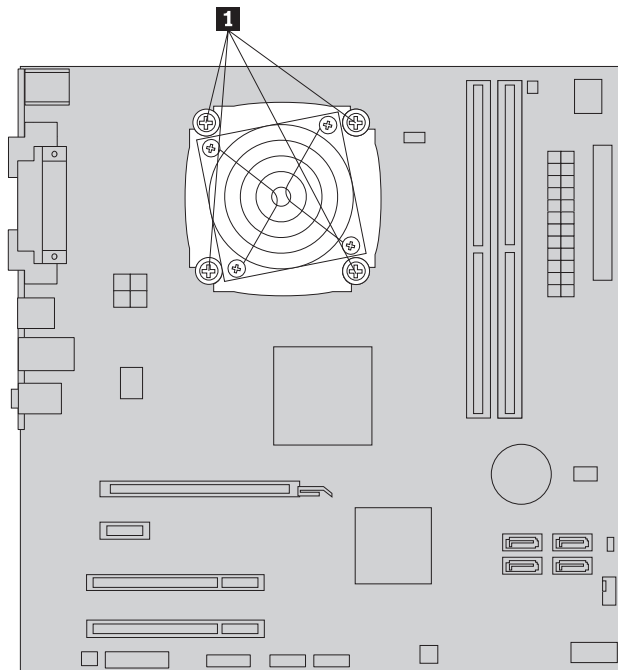
The heat sink and microprocessor might be very hot. Turn off the computer and wait three to five minutes to let the computer cool before opening the computer cover.

Attention

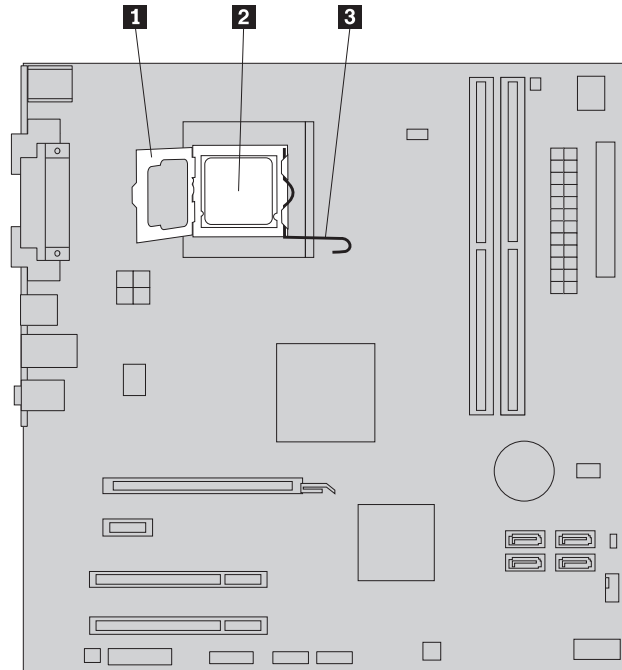
Do not open your computer or attempt any repair before reading and understanding the “Important safety information” in the *ThinkCentre Safety and Warranty Guide* that came with your computer. To obtain a copy of the *ThinkCentre Safety and Warranty Guide*, go to: <http://www.lenovo.com/support>

This section provides information on how to remove and replace the microprocessor. The procedure varies depending upon the machine type.

1. Remove the computer cover. See “Removing the computer cover” on page 85.
2. Place the computer on its right side to help make the microprocessor more accessible.
3. Disconnect the heat sink and fan assembly cable from the system board. See the system board illustration for your machine type at “System board connectors” on page 84.
4. Remove the four screws **1** securing the heat sink and fan assembly to the system board.



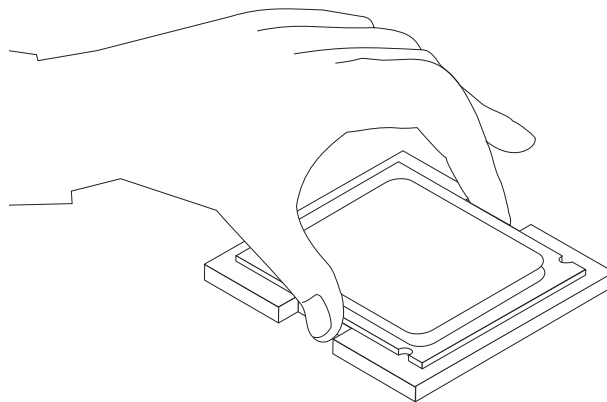
5. Lift the heat sink and fan assembly off the failing system board. Place the heat sink on its side so that the thermal grease does not come in contact with anything.
6. To remove the microprocessor **2** from the system board, lift the small handle **3** and open the retainer **1**.



Important

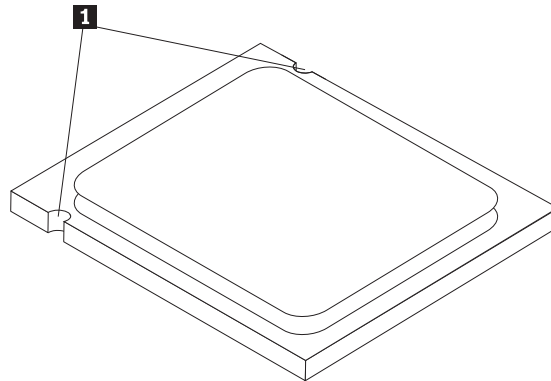
Touch only the sides of the microprocessor. Do not touch the gold contacts on the bottom.

7. Lift the microprocessor straight up and out of the socket.

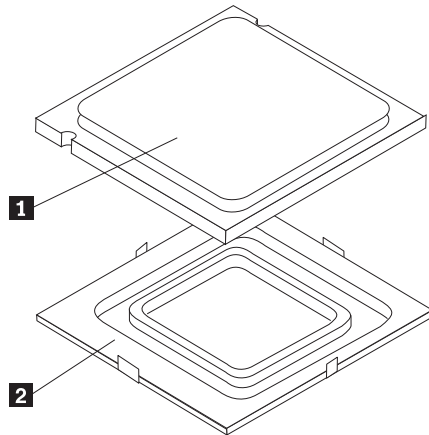


Notes:

- a. Note the orientation of the notches **1** on the microprocessor. This is important when reinstalling the microprocessor on the new system board.



- b. Do not drop anything onto the microprocessor socket while it is exposed. The socket pins must be kept as clean as possible.
8. Make sure that the microprocessor retainer is fully open.
9. Holding the microprocessor with your fingers, remove the protective cover **2** that protects the gold contacts on the new microprocessor **1**.

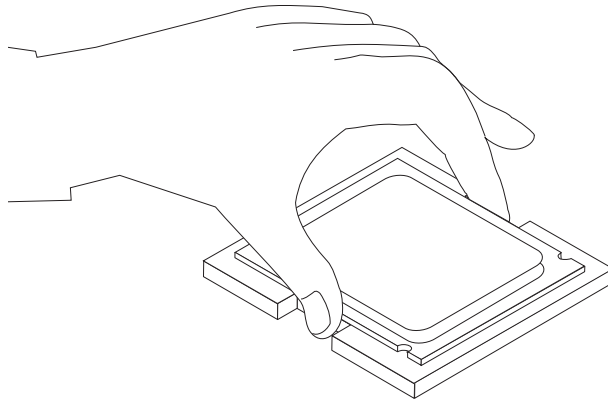


10. Holding the microprocessor with your fingers, position the microprocessor so that the notches on the microprocessor are aligned with the tabs in the microprocessor socket.

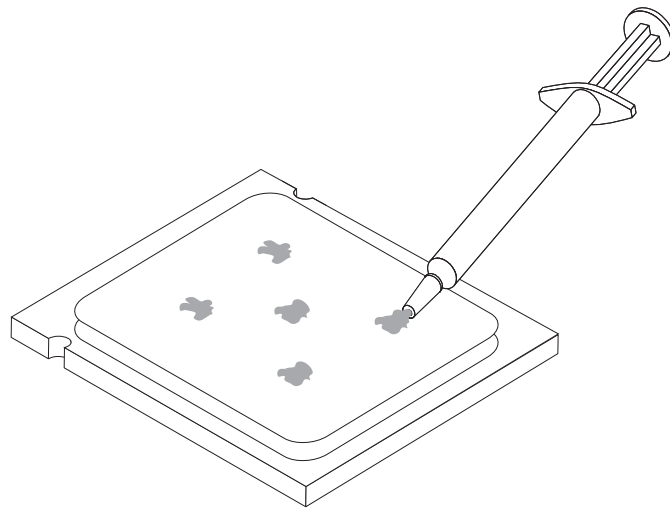
Important

To avoid damaging the microprocessor contacts, do not tilt the microprocessor when installing it into the socket.

11. Lower the microprocessor straight down into the system board socket of the system board.



12. To secure the microprocessor in the socket, close the microprocessor retainer and lock it into position with the small handle.
13. Use the thermal grease syringe to place five drops of grease on the top of the microprocessor. Each drop of grease should be 0.03ml (3 tick marks on the grease syringe).



14. Install the heat sink and fan assembly on the system board.
15. Connect the heat sink and fan assembly cable to the system board. See the system board illustration for your machine type at "System board connectors" on page 84.
16. Go to "Completing the FRU replacement" on page 120.

Replacing a memory module

Attention

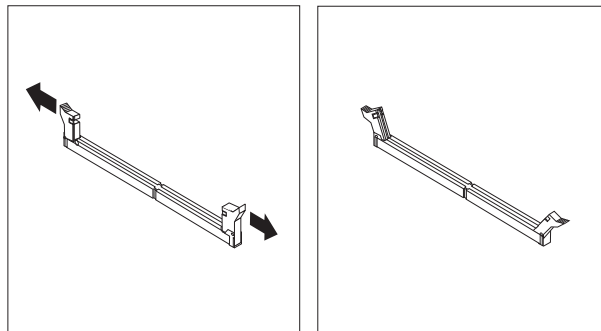
Do not open your computer or attempt any repair before reading and understanding the "Important safety information" in the *ThinkCentre Safety and Warranty Guide* that came with your computer. To obtain a copy of the *ThinkCentre Safety and Warranty Guide*, go to: <http://www.lenovo.com/support>

This provides instructions on how to remove and replace a memory module.

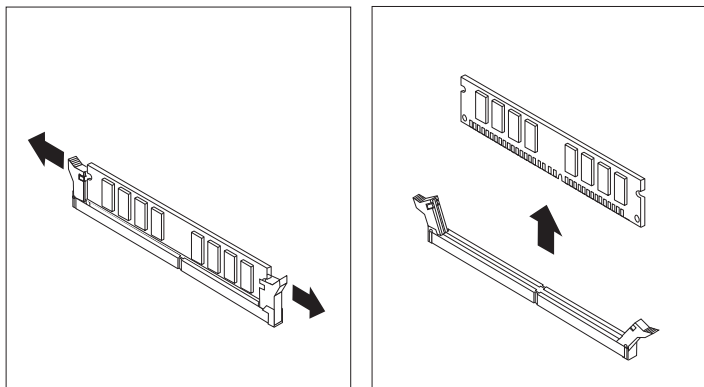
1. Remove the computer cover. See "Removing the computer cover" on page 85.

Note: For this procedure, it helps to lay the computer on its side.

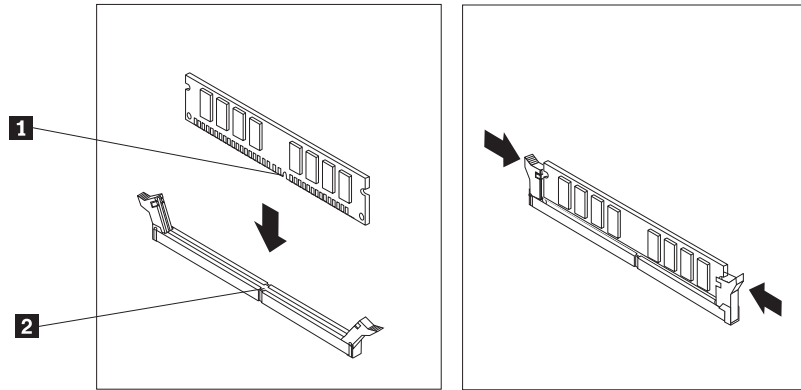
2. Locate the memory module connectors. See "System board connectors" on page 84.
3. Open the retaining clips.



If you are replacing an old memory module, open the retaining clips and remove the memory module being replaced as shown.



4. Position the new memory module over the memory slot. Make sure that the notch **1** on the memory module aligns correctly with the slot key **2** on the system board. Push the memory module straight down into the slot until the retaining clips close.



5. Go to “Completing the FRU replacement” on page 120.

Installing or replacing an adapter card

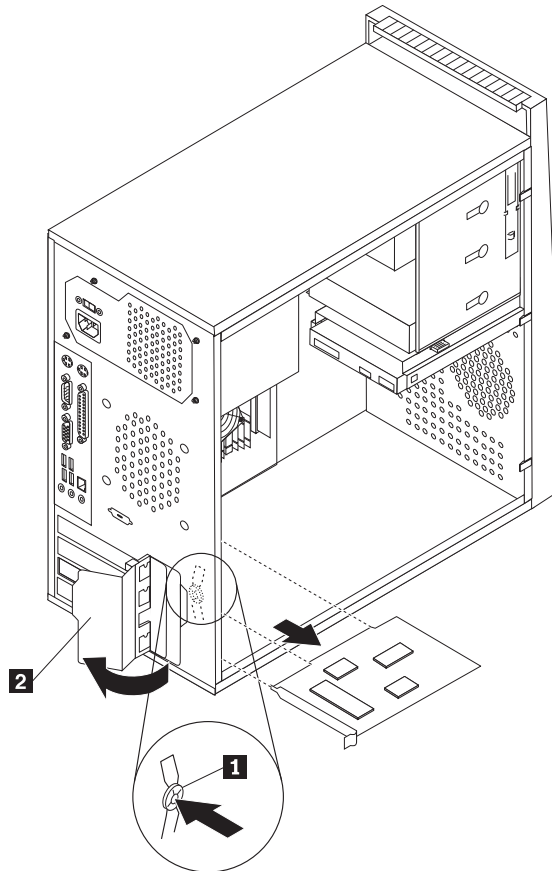
Attention

Do not open your computer or attempt any repair before reading and understanding the “Important safety information” in the *ThinkCentre Safety and Warranty Guide* that came with your computer. To obtain a copy of the *ThinkCentre Safety and Warranty Guide*, go to: <http://www.lenovo.com/support>

This section provides instructions on how to install or replace an adapter card. Your computer has one PCI Express x1 adapter card slot, one PCI Express x16 adapter card slot, and two PCI adapter card slots. See “System board connectors” on page 84.

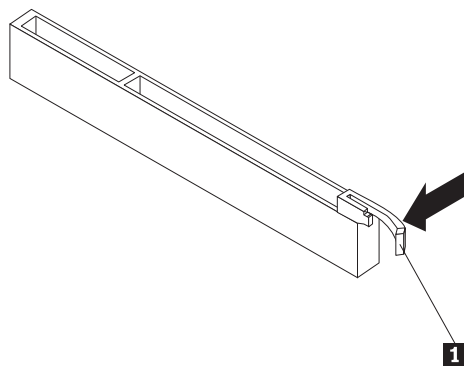
To install or replace an adapter card:

1. Remove the computer cover. See “Removing the computer cover” on page 85.
2. At the rear of the computer, press the release button **1** to open the adapter latch **2**. If you are installing an adapter card, remove the appropriate slot cover. If you are replacing an adapter card, remove the adapter card that is currently installed.

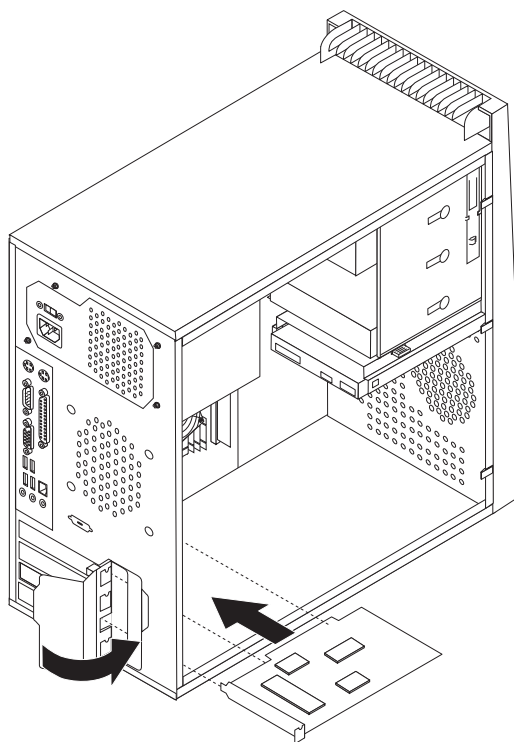


Notes:

- a. The adapter card fits tightly into the adapter card slot. If necessary, alternate moving each side of the adapter card a small amount until it is removed from the adapter card slot.
- b. If the adapter card is held in place by a retaining latch, press the adapter card retaining latch **1** as shown to disengage the latch. Grasp the adapter card and then gently pull the adapter card out of the slot.



3. Remove the new adapter card from its static-protective package.
4. Install the adapter card into the appropriate slot on the system board.
5. Pivot the adapter card latch to the closed position to secure the adapter card.



6. To complete the installation, go to “Completing the FRU replacement” on page 120.

Replacing the primary hard disk drive

Attention

Do not open your computer or attempt any repair before reading and understanding the "Important safety information" in the *ThinkCentre Safety and Warranty Guide* that came with your computer. To obtain a copy of the *ThinkCentre Safety and Warranty Guide*, go to: <http://www.lenovo.com/support>

Important

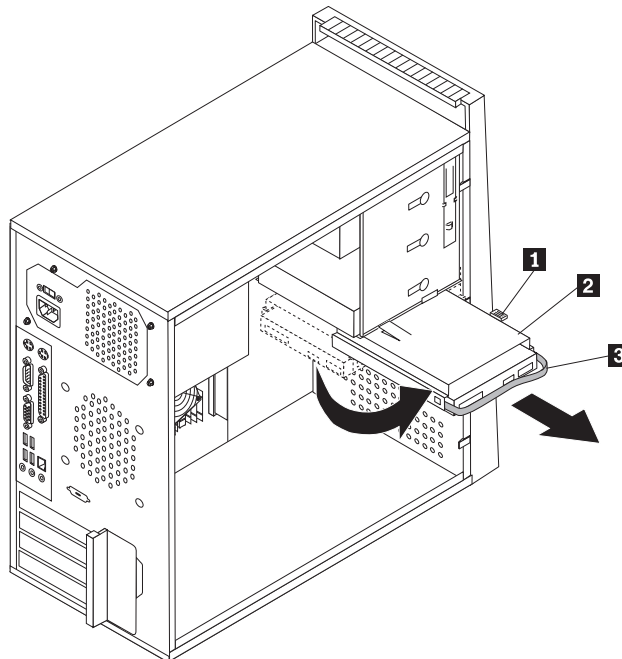
When a new hard disk drive is installed, a set of *Product Recovery* discs might be required. The set of *Product Recovery* discs enable the contents of the hard disk to be restored to the same state as when the computer was originally shipped from the factory. For more information on recovering factory-installed software, refer to "Recovering Software" in the *User Guide*.

This section provides instructions on how to remove and replace the primary hard disk drive.

1. Remove the computer cover. See "Removing the computer cover" on page 85.

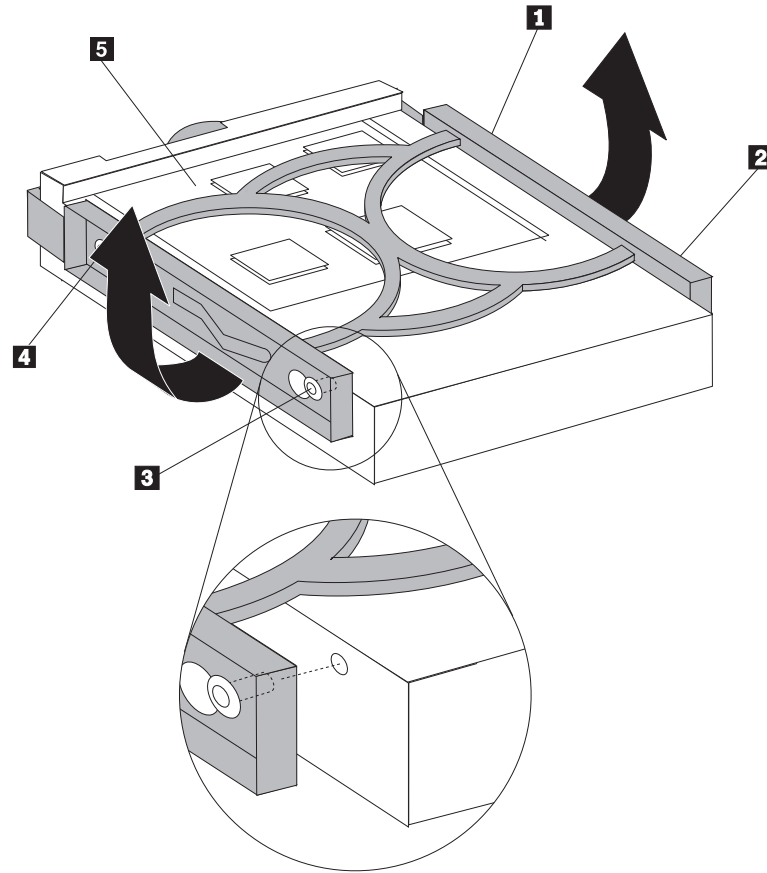
Note: For this procedure, it helps to lay the computer on its side.

2. Disconnect the signal and power cables from the hard disk drive.
3. Press the release tab **1** down, slide the hard drive cage **2** back, and pivot the hard disk drive outward as shown.



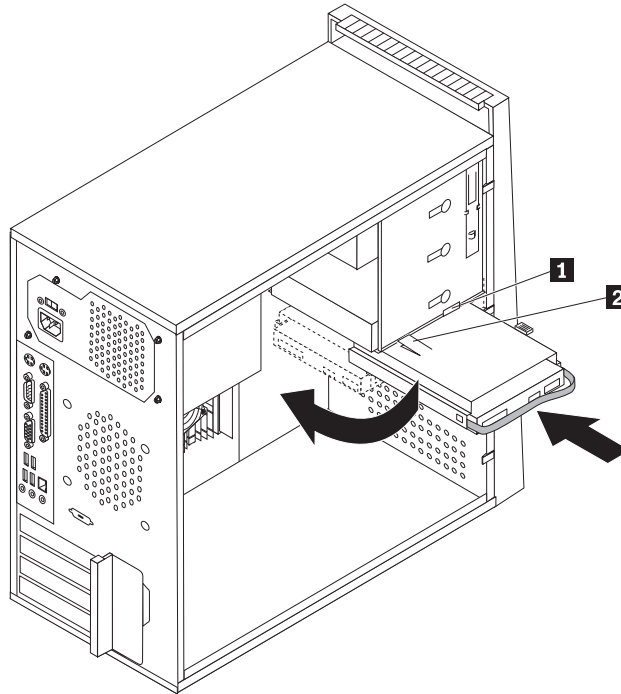
4. Remove the hard disk drive cage from the chassis by simply sliding it outward.
5. Pull on the blue handle **3** to remove hard disk drive from the drive cage.
6. Remove the failing hard disk drive from the blue plastic bracket from by flexing the sides of the bracket enough to free it from the hard disk drive.

7. To install the new drive into the blue bracket, flex the bracket, and align the pins **1** through **4** on the bracket with the holes in the hard disk drive. Do not touch the circuit board **5** on the bottom of the hard disk drive.



8. Slide the new hard disk drive into the drive cage until it snaps into position.

9. Align the drive cage pivot pin with the slot **1** in the upper drive cage and slide the hard disk drive into the chassis.



10. Press down on the metal latch **2** and pivot in the drive cage into place. Slide it forward until it snaps into position.

Note: There are two arrows, one on the upper drive cage and one on the hard disk drive cage, that are aligned when the hard disk drive is in the proper position.

11. Connect the power and signal cables to the hard disk drive.
12. Go to “Completing the FRU replacement” on page 120.

Replacing the secondary hard disk drive

Attention

Do not open your computer or attempt any repair before reading and understanding the "Important safety information" in the *ThinkCentre Safety and Warranty Guide* that came with your computer. To obtain a copy of the *ThinkCentre Safety and Warranty Guide*, go to: <http://www.lenovo.com/support>

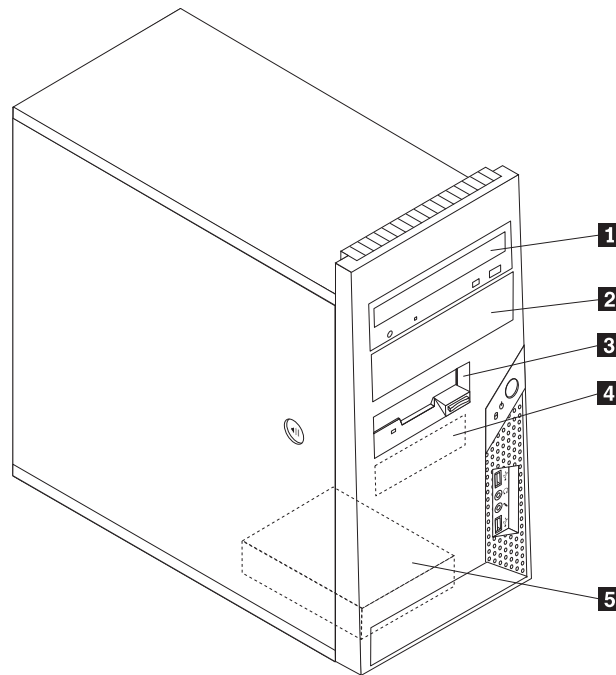
Important

When a new hard disk drive is installed, a set of *Product Recovery* discs might be required. The set of *Product Recovery* discs enable the contents of the hard disk to be restored to the same state as when the computer was originally shipped from the factory. For more information on recovering factory-installed software, refer to "Recovering Software" in the *User Guide*.

This section provides instructions on how to replace the secondary hard disk drive.

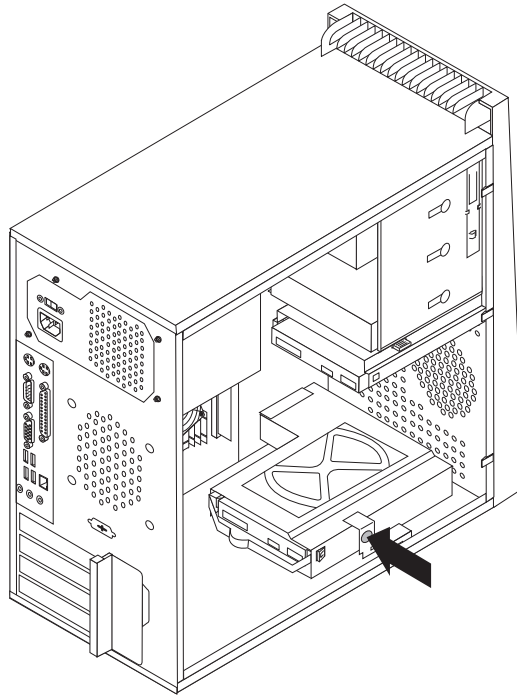
To replace the secondary hard disk drive:

1. Remove the computer cover. See "Removing the computer cover" on page 85.
2. Locate the secondary hard disk drive **5**.



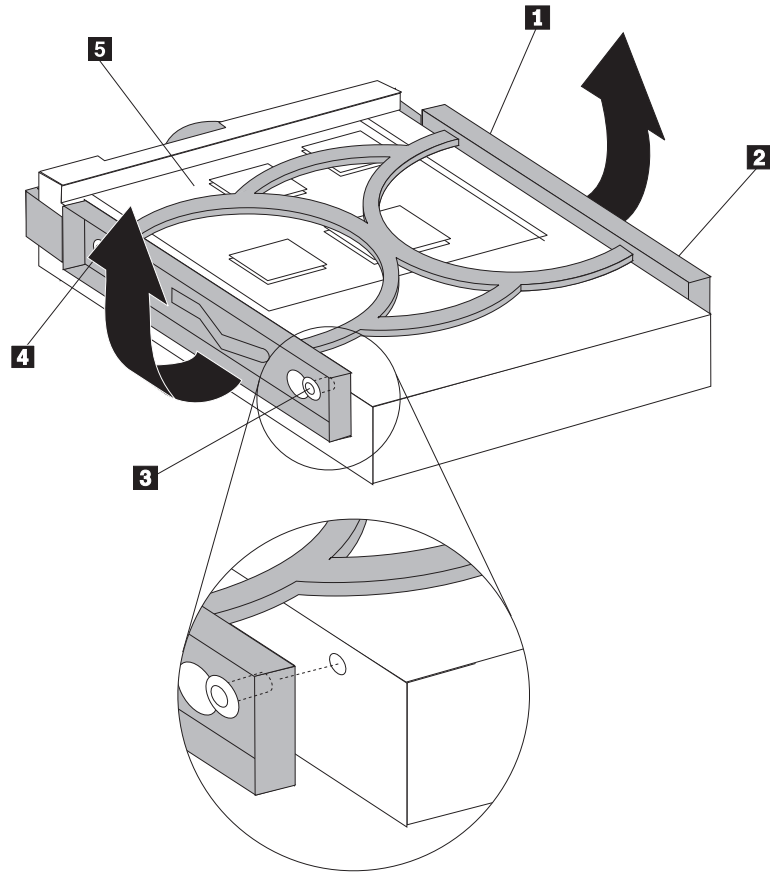
3. Disconnect the signal and power cables from the hard disk drive.

4. Press the blue release button to release the hard drive cage from the chassis.



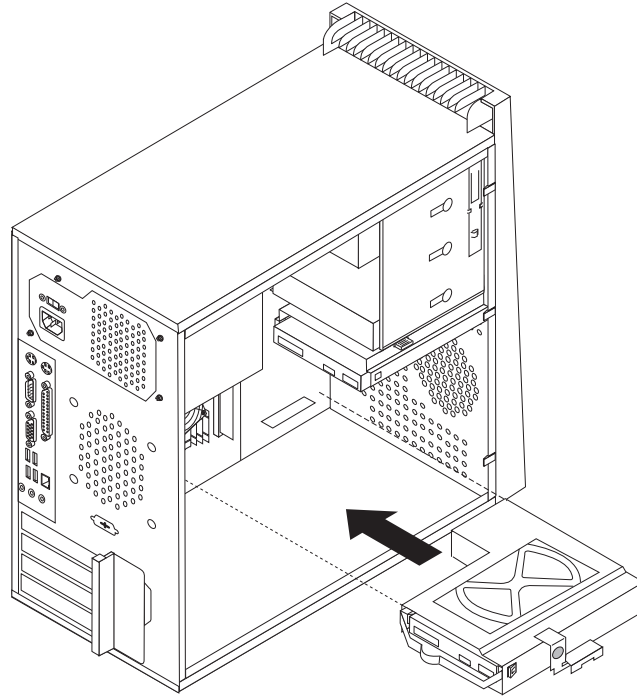
5. Remove the hard drive cage from the chassis by simply sliding it outward.
6. Pull on the blue handle to release and remove the hard disk drive from the hard drive cage.
7. Remove the hard disk drive from the blue plastic bracket by flexing the sides of the bracket enough to slide it free of the hard disk drive.

8. To install the new hard disk drive into the blue bracket, flex the bracket and align the pins **1** through **4** on the bracket with the holes in the hard disk drive. Do not touch the circuit board **5** on the bottom of the hard disk drive.



9. Slide the new hard disk drive into the hard drive cage until it snaps into position.

10. Install the hard drive cage into the chassis until it snaps into position underneath the metal tab. Make sure that the hard drive cage is secure in the chassis.



11. Connect the signal and power cables to the rear of the new hard disk drive.
12. Go to “Completing the FRU replacement” on page 120.

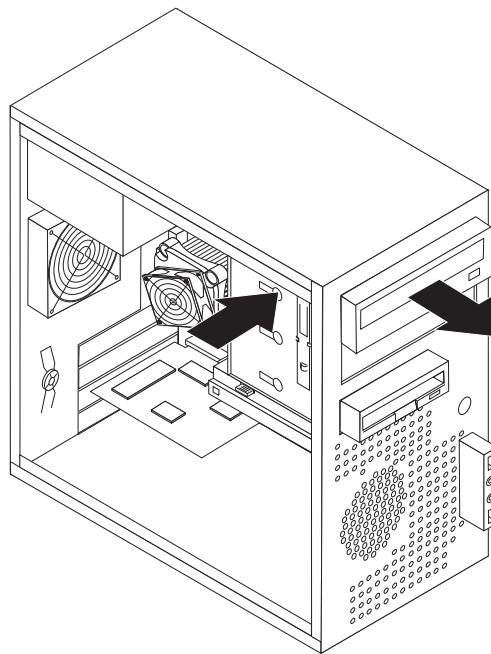
Replacing an optical drive

Attention

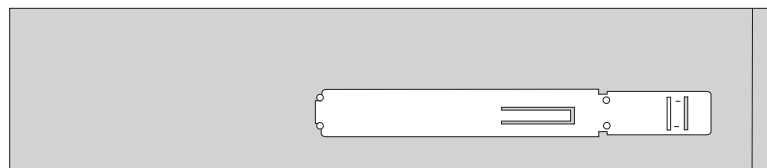
Do not open your computer or attempt any repair before reading and understanding the “Important safety information” in the *ThinkCentre Safety and Warranty Guide* that came with your computer. To obtain a copy of the *ThinkCentre Safety and Warranty Guide*, go to: <http://www.lenovo.com/support>

This section provides instructions on how to remove and replace an optical drive.

1. Remove the computer cover. See “Removing the computer cover” on page 85.
2. Disconnect the signal and power cables from the rear of the optical drive.
3. Press the release button and remove the optical drive out the front of the computer.



4. Remove the retainer bracket from the drive being replaced and install it on the new drive.



5. Slide the new optical drive into the bay from the front until it snaps into position.
6. Connect the signal and power cables to the drive.
7. Go to “Completing the FRU replacement” on page 120.

Replacing the diskette drive or card reader

Attention

Do not open your computer or attempt any repair before reading and understanding the "Important safety information" in the *ThinkCentre Safety and Warranty Guide* that was included with your computer. To obtain a copy of the *ThinkCentre Safety and Warranty Guide*, go to:
<http://www.lenovo.com/support>

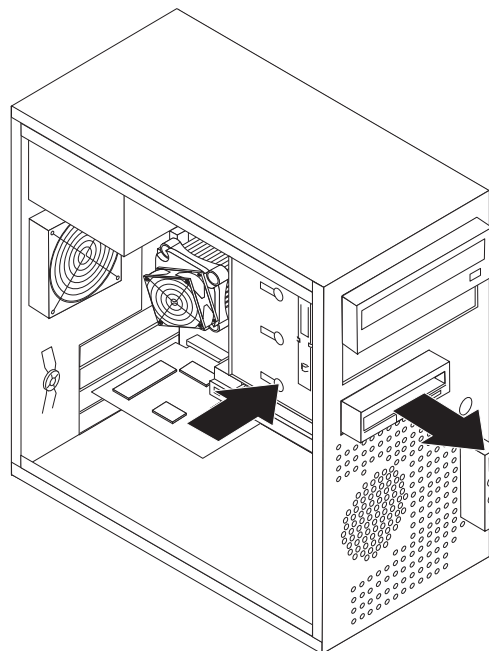
Depending on your model type, your computer might have a diskette drive or a card reader installed. This section provides instructions on how to replace the diskette drive or card reader.

Note: The artwork in this section shows how to replace the diskette drive. To replace the card reader, the procedure is the same as replacing the diskette drive.

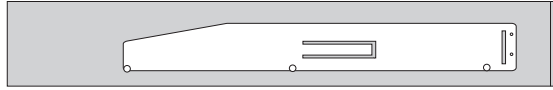
This section provides instructions on how to remove and replace a diskette drive or card reader.

To replace the diskette drive or card reader:

1. Remove the computer cover. See "Removing the computer cover" on page 85.
2. Remove the front bezel. See "Removing and installing the front bezel" on page 87.
3. Disconnect the signal cable and the power cable from the rear of the diskette drive. If you are replacing a card reader, disconnect the signal cable from the system board.
4. Press the release button and slide the diskette drive or card reader out of the front of the computer.



5. Remove the retainer from the failing diskette drive or card reader and install it on the new diskette drive or card reader.



6. Slide the new diskette drive or card reader into the drive bay until it snaps into position.
7. Connect the signal cable and the power cable to the new diskette drive. If you are installing a card reader, connect the signal cable to the card reader connector on the system board.
8. Reinstall the front bezel.
9. Go to "Completing the FRU replacement" on page 120.

Replacing the front fan assembly

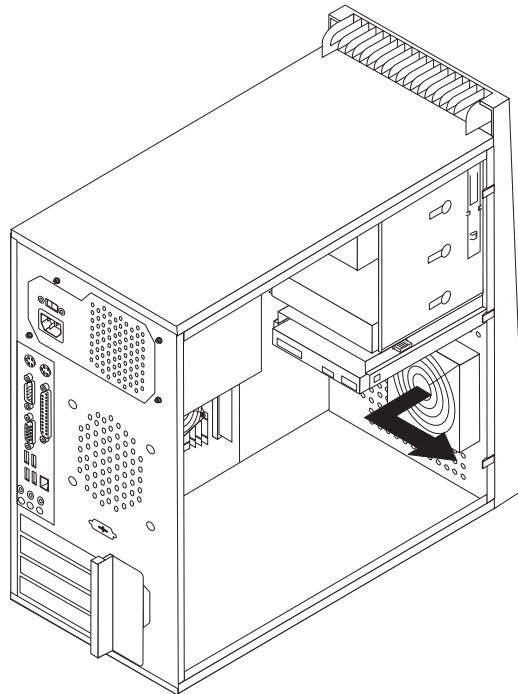
Attention

Do not open your computer or attempt any repair before reading and understanding the "Important safety information" in the *ThinkCentre Safety and Warranty Guide* that was included with your computer. To obtain a copy of the *ThinkCentre Safety and Warranty Guide*, go to:
<http://www.lenovo.com/support>

This section provides instructions on how to replace the front fan assembly.

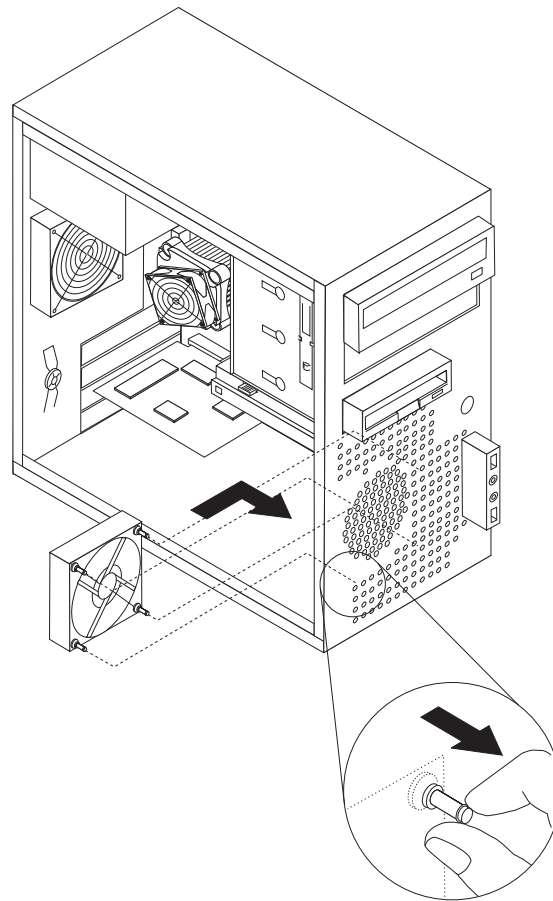
To replace the front fan assembly:

1. Remove the computer cover. See "Removing the computer cover" on page 85.
2. Remove the front bezel. See "Removing and installing the front bezel" on page 87.
3. Disconnect the front fan assembly cable from the power fan connector on the system board. See "System board connectors" on page 84.
4. The front fan assembly is attached to the chassis by four rubber mounts. Carefully remove these rubber mounts from the rear of the chassis by breaking them or cutting them with scissors.



5. Remove the front fan assembly out of the chassis.
6. Install the new front fan assembly by aligning the rubber mounts of the front fan assembly with the holes on the chassis and push the rubber mounts through the holes.

7. Pull on the tips of the rubber mounts until the fan assembly is in place.



8. Connect the front fan assembly cable to the power fan connector on the system board.
9. Go to “Completing the FRU replacement” on page 120.

Replacing the rear fan assembly

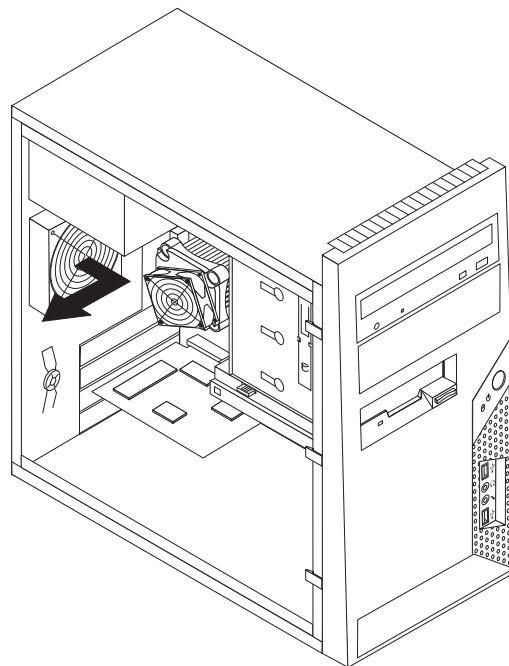
Attention

Do not open your computer or attempt any repair before reading and understanding the "Important safety information" in the *ThinkCentre Safety and Warranty Guide* that was included with your computer. To obtain a copy of the *ThinkCentre Safety and Warranty Guide*, go to:
<http://www.lenovo.com/support>

This section provides instructions on how to replace the rear fan assembly.

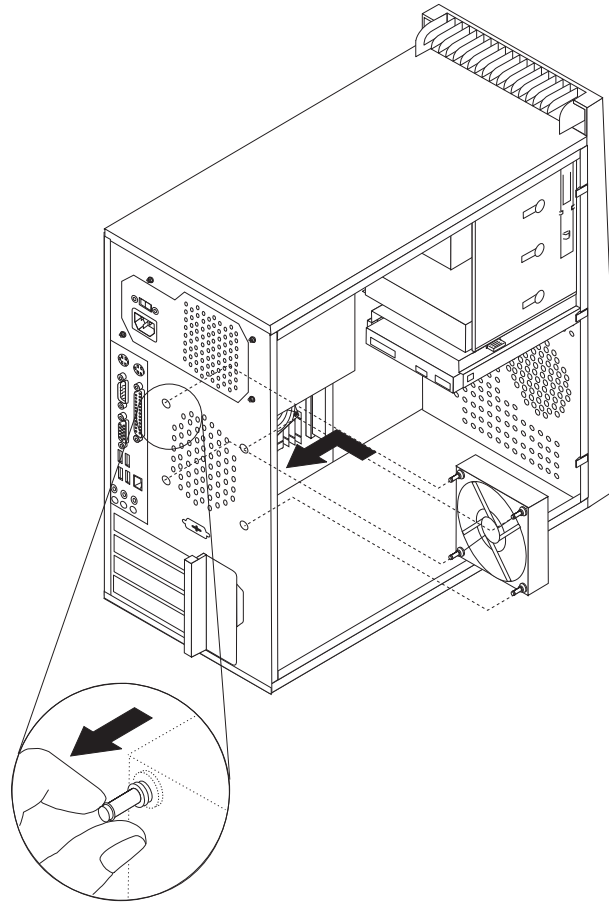
To replace the rear fan assembly:

1. Remove the computer cover. See "Removing the computer cover" on page 85.
2. Locate the rear fan assembly. See "Computer components" on page 83.
3. Disconnect the rear fan assembly cable from the system fan connector on the system board. See "System board connectors" on page 84.
4. The rear fan assembly is attached to the chassis by four rubber mounts. Carefully remove the four rubber mounts from the rear of the chassis by breaking them or cutting them with scissors.



5. Remove the rear fan assembly out of the chassis.
6. Install the new rear fan assembly by aligning the rubber mounts of the rear fan assembly with the holes on the chassis and push the rubber mounts through the holes.

7. Pull on the tips of the rubber mounts until the rear fan assembly is in place.



8. Connect the rear fan assembly cable to the system fan connector on the system board.
9. Go to “Completing the FRU replacement” on page 120.

Replacing the front audio/USB assembly

Attention

Do not open your computer or attempt any repair before reading and understanding the "Important safety information" in the *ThinkCentre Safety and Warranty Guide* that came with your computer. To obtain a copy of the *ThinkCentre Safety and Warranty Guide*, go to: <http://www.lenovo.com/support>

This section provides instructions on how to remove and replace the front audio/USB assembly.

1. Remove the computer cover. See "Removing the computer cover" on page 85.
2. Remove the front bezel. See "Removing and installing the front bezel" on page 87
3. Disconnect the front audio/USB assembly cable from the system board. See the system board illustration for your machine type at "System board connectors" on page 84.
4. Note the front audio/USB assembly cable routing and remove the screw that secures the assembly to the chassis.
5. Remove the front audio/USB assembly.
6. Route the cable for the new front audio/USB assembly through the hole in the chassis and to the system board.
7. Install the front audio/USB assembly into the chassis and secure it with the screw.
8. Connect the front audio/USB assembly cable to the system board.
9. Reinstall the front bezel.
10. Go to "Completing the FRU replacement" on page 120.

Replacing the power switch/LED assembly

Attention

Do not open your computer or attempt any repair before reading and understanding the “Important safety information” in the *ThinkCentre Safety and Warranty Guide* that came with your computer. To obtain a copy of the *ThinkCentre Safety and Warranty Guide*, go to: <http://www.lenovo.com/support>

This section provides instructions on how to remove and replace the power switch/LED assembly.

1. Remove the computer cover. See “Removing the computer cover” on page 85.
2. Remove the front bezel. See “Removing and installing the front bezel” on page 87
3. Disconnect the power switch/LED assembly cable from the system board. See the system board illustration for your machine type at “System board connectors” on page 84.
4. Note the power switch/LED assembly cable routing and the position of the two LEDs.
5. Remove the switch/LED from the bezel.
6. Route the cable for the new power switch/LED assembly through the hole in the chassis and to the system board.
7. Install the new power switch/LED assembly into the bezel. Make sure that the LEDs are in the correct position.
8. Connect the power switch/LED cable to the system board.
9. Reinstall the front bezel.
10. Go to “Completing the FRU replacement” on page 120.

Replacing the CMOS battery

Attention

Do not open your computer or attempt any repair before reading and understanding the "Important safety information" in the *ThinkCentre Safety and Warranty Guide* that came with your computer. To obtain a copy of the *ThinkCentre Safety and Warranty Guide*, go to: <http://www.lenovo.com/support>

This section provides instructions on how to remove and replace the CMOS battery.

If the CMOS battery fails, the date, time, and configuration information (including passwords) are lost. An error message is displayed when you turn on the computer.

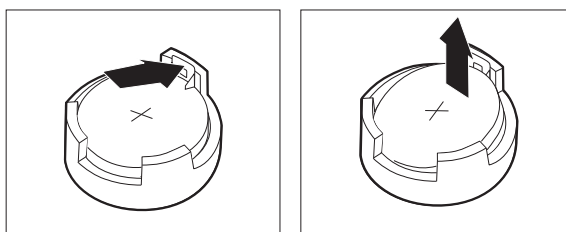
Important

Refer to "Safety notices (multi-lingual translations)" on page 7 for information about replacing and disposing of the battery.

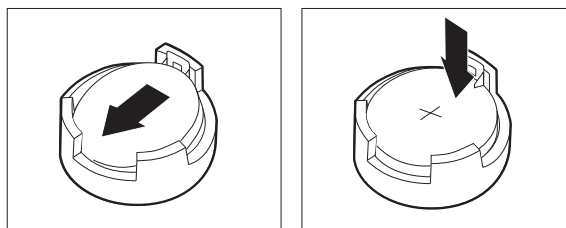
CAUTION:

When replacing the lithium battery, use only Part Number 33F8354 or an equivalent type battery recommended by the manufacturer.

1. Remove the computer cover. See "Removing the computer cover" on page 85.
2. Locate the battery. See the system board illustration for your machine type at "System board connectors" on page 84.
3. You might have to remove any PCI adapters that impede access to the battery.
4. Remove the old battery.



5. Install the new battery.



6. Replace any PCI adapters that were removed.

Note: When the computer is turned on for the first time after battery replacement, an error message might be displayed. This is normal after replacing the battery.

7. Go to "Completing the FRU replacement" on page 120.

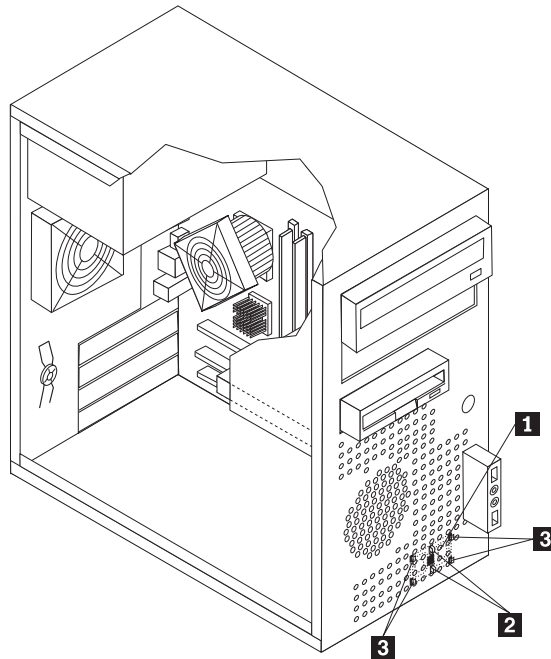
Replacing the Internal speaker

Attention

Do not open your computer or attempt any repair before reading and understanding the "Important safety information" in the *ThinkCentre Safety and Warranty Guide* that came with your computer. To obtain a copy of the *ThinkCentre Safety and Warranty Guide*, go to: <http://www.lenovo.com/support>

This section provides instructions on how to replace the internal speaker.

1. Remove the computer cover. See "Removing the computer cover" on page 85.
2. Remove the front bezel. See "Removing and installing the front bezel" on page 87
3. Locate the internal speaker connector on the system board. See "System board connectors" on page 84.
4. Disconnect the internal speaker cable from the system board.
5. Use a blunt instrument (such as, the top of a ball point pen) to disengage one of the internal-speaker-locking tabs **2** and slide that side of the speaker **1** upward enough to keep the locking tab disengaged. Then disengage the other internal-speaker-locking tab and slide the internal speaker upward until the speaker is released.



6. Route the speaker cable and then position the new internal-speaker tabs **3** into the metal speaker slots and then push the internal speaker downward until the speaker-locking tabs snap into position.
7. Connect the speaker cable to the system board. See "System board connectors" on page 84.
8. Go to "Completing the FRU replacement" on page 120.

Completing the FRU replacement

After replacing FRUs, you need to install any removed parts, replace the cover, and reconnect any cables, including telephone lines and power cords. Also, depending on the FRU that is replaced, you might need to confirm the updated information in the Setup Utility program.

Note: When the power cord is first plugged in, the computer might appear to turn on for a few seconds and then turn off. This is a normal sequence to enable the computer to initialize.

1. Ensure that all components have been reassembled correctly and that no tools or loose screws are left inside your computer.
2. Replace the cover.
3. Reconnect the external cables and power cords to the computer. See “Rear connectors” on page 82.
4. If you have replaced the system board, you must update (flash) the BIOS. See “Flash update procedures” on page 379.
5. Some FRU replacements require the configuration to be updated. See Chapter 6, “Using the Setup Utility,” on page 49.

Chapter 9. Replacing FRUs (Types 7259, 7267, 7269, 7279, 7290, 7297, 7303, 7306, 7408, 7487, 7506 and 7514)

Important

Before you replace any FRU, read Chapter 2, "Safety information," on page 3. These precautions and guidelines will help you work safely.

FRU replacements are to be done by trained service technicians only.

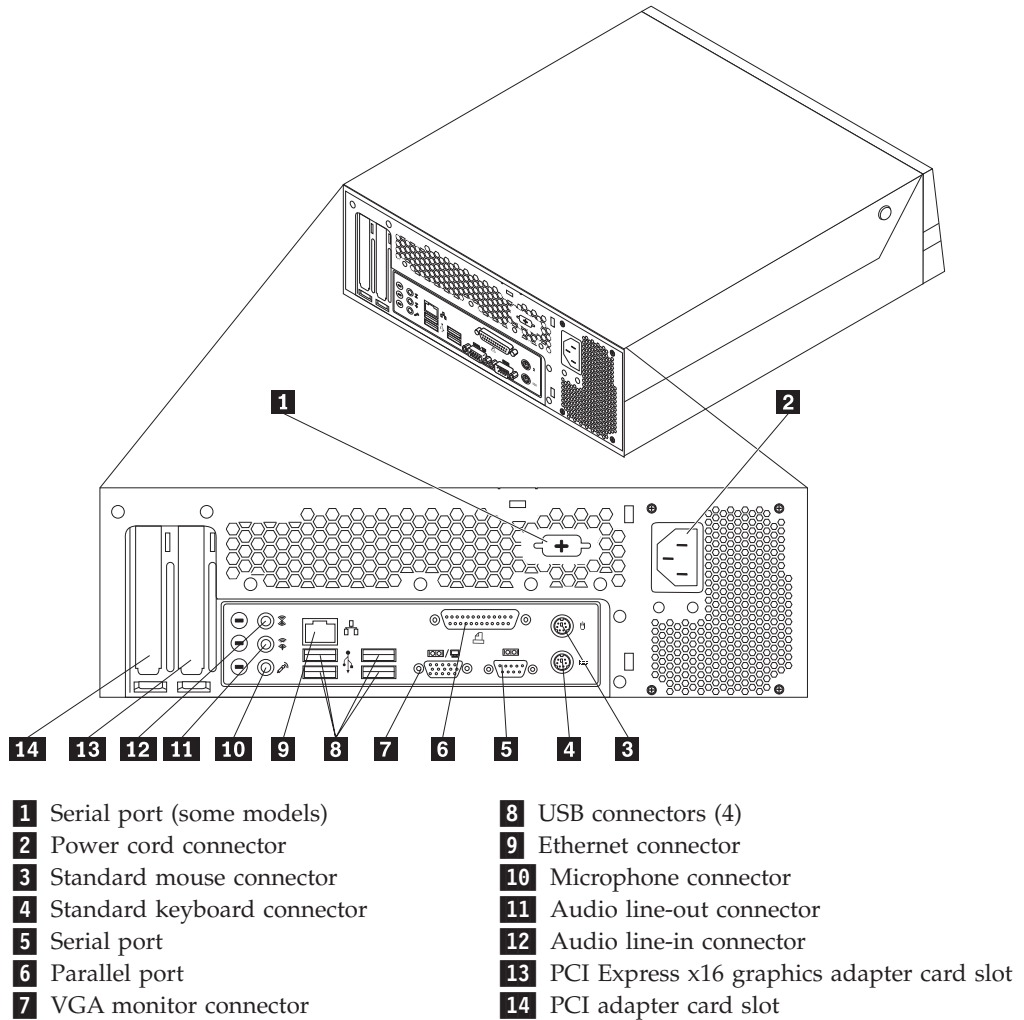
This chapter does not contain a remove and replace procedure for all FRUs. Only the major FRUs are documented.

Locations

The following illustrations will help when locating connectors, controls and components of the computer.

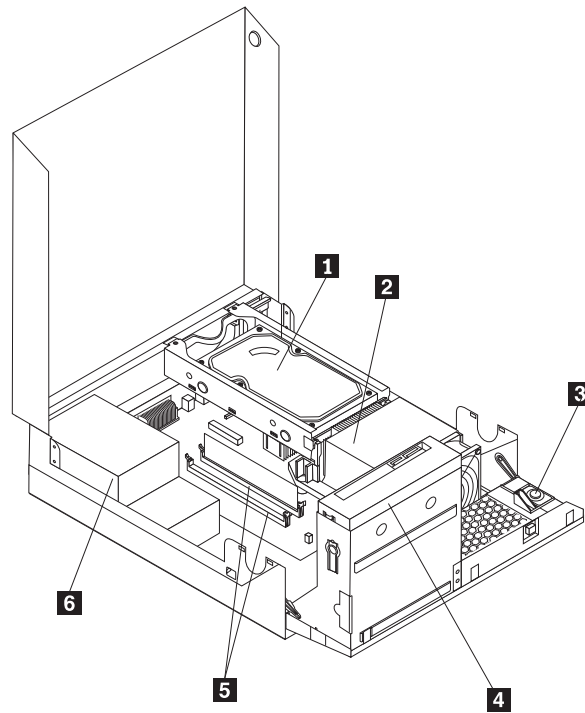
Rear connectors

The following illustration shows the locations of the connectors on the rear of the computer.



Computer components

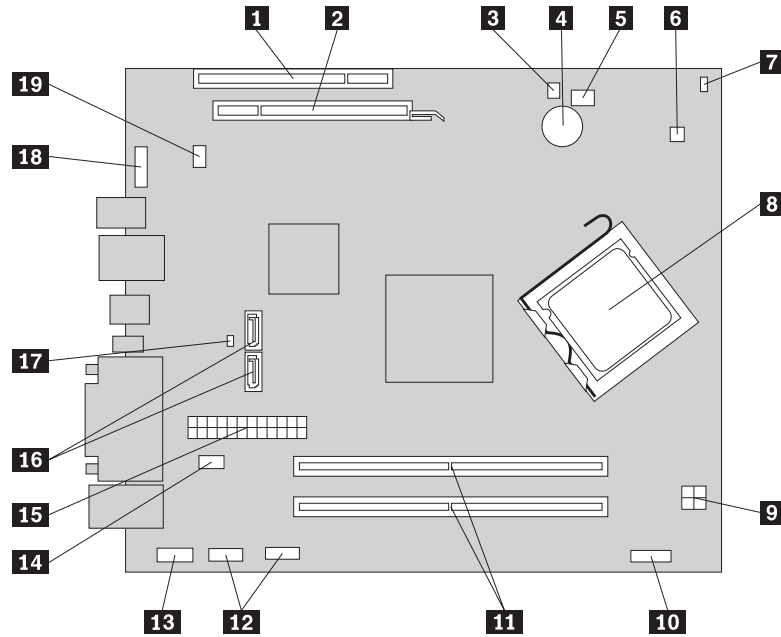
The following illustration will help you locate the major FRUs in the computer.



- | | |
|---|--------------------------------|
| 1 Hard disk drive | 4 Optical drive |
| 2 Microprocessor, heat sink and fan assembly | 5 Memory slots (2) |
| 3 Internal speaker (some models) | 6 Power supply assembly |

System board connectors

This illustration is to help locate the various system board connectors.



- | | |
|--|--|
| 1 PCI adapter card slot | 11 Memory slots (2) |
| 2 PCI Express x16 graphics adapter card slot | 12 Front USB connectors (2) |
| 3 Internal speaker connector | 13 Serial (COM 2) connector |
| 4 Battery | 14 Power fan connector |
| 5 Microprocessor fan connector | 15 24-pin power connector |
| 6 Thermal sensor connector | 16 SATA connectors (2) |
| 7 Cover presence (Intrusion) switch connector | 17 Clear CMOS (Complementary Metal Oxide Semiconductor)/Recovery jumper |
| 8 Microprocessor | 18 Front audio connector |
| 9 4-pin power connector | 19 System fan connector |
| 10 Front panel connector | |

Opening the cover

CAUTION:

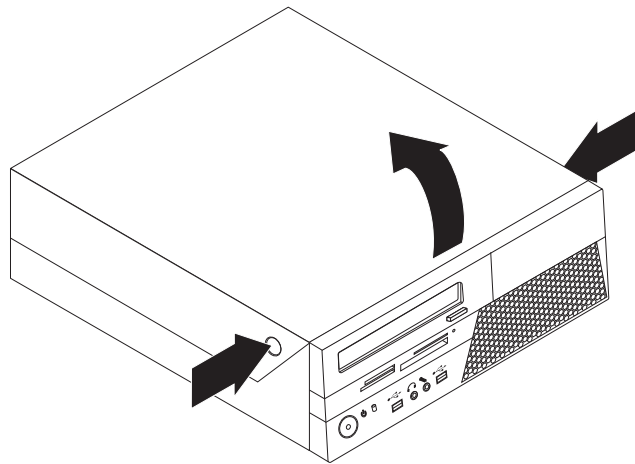


The heat sink and microprocessor might be very hot. Turn off the computer and wait three to five minutes to let the computer cool before opening the computer cover.

This section provides instructions on how to remove the cover.

To open the computer cover:

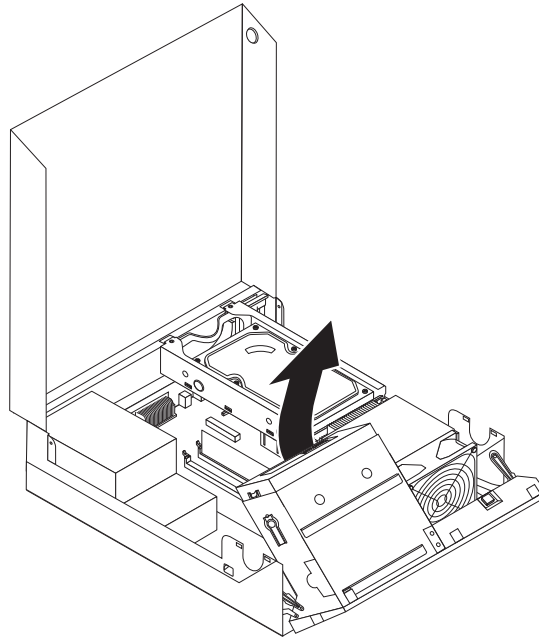
1. Remove any media from the drives, shut down your operating system, and turn off all attached devices and the computer.
2. Unplug all power cords from electrical outlets.
3. Disconnect the cables attached to the computer. This includes power cords, input/output (I/O) cables, and any other cables that are connected to the computer.
4. Remove any locking devices, such as a cable lock that secures the computer cover.
5. Press the buttons on the sides of the computer and pivot the computer cover upward to open.



Accessing system board components and drives

To access system board components and the drives:

1. Open the computer cover. See “Opening the cover” on page 125.
2. On some models, you might need to pivot the drive bay assembly upward and remove the hard disk drive to access the internal components.
3. Make sure you note the location of any cables that you disconnect from the drives or the system board.



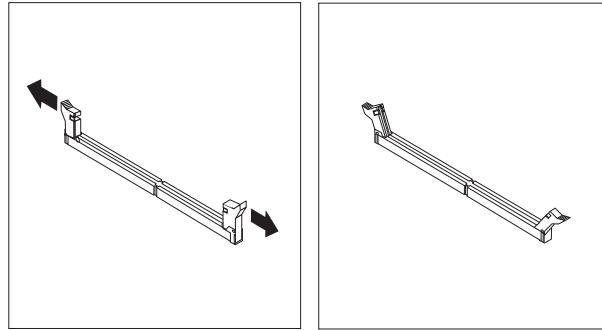
Replacing a memory module

Attention

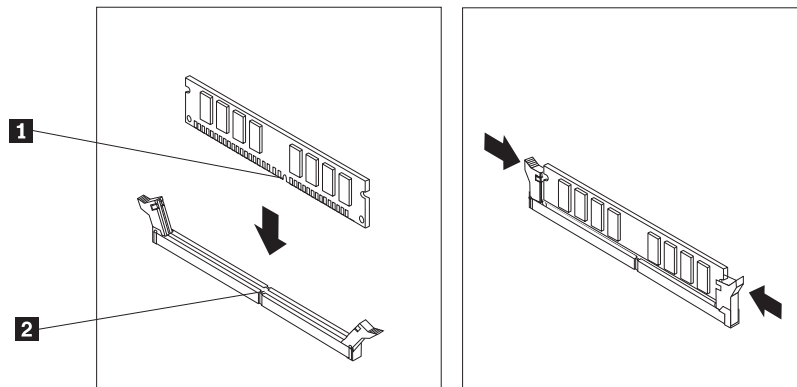
Do not open your computer or attempt any repair before reading and understanding the “Important safety information” in the *ThinkCentre Safety and Warranty Guide* that came with your computer. To obtain a copy of the *ThinkCentre Safety and Warranty Guide*, go to: <http://www.lenovo.com/support>

This section provides instructions on how to remove and replace a memory module.

1. Open the computer cover. See “Opening the cover” on page 125.
2. Pivot the drive bay assembly upward to access the memory slots. See “Accessing system board components and drives” on page 126.
3. Remove any parts that might prevent your access to the memory slots.
4. Locate the memory slots.
5. Open the retaining clips.



6. Position the memory module over the memory slot. Make sure that the notch **1** on the memory module aligns correctly with the slot key **2** on the system board. Push the memory module straight down into the slot until the retaining clips close.



Replacing the battery

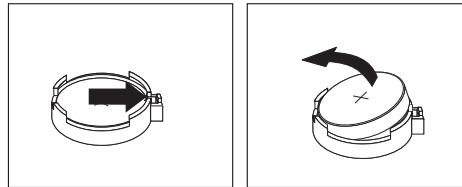
Attention

Do not open your computer or attempt any repair before reading and understanding the "Important safety information" in the *ThinkCentre Safety and Warranty Guide* that came with your computer. To obtain a copy of the *ThinkCentre Safety and Warranty Guide*, go to: <http://www.lenovo.com/support>

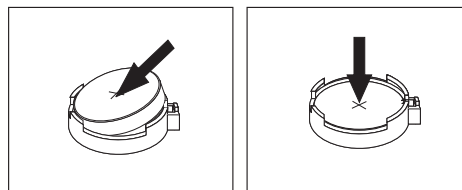
This section provides instructions how to remove a CMOS battery.

To replace the battery:

1. Open the computer cover. See "Opening the cover" on page 125.
2. Locate the battery. See "System board connectors" on page 124.
3. Remove the old battery.



4. Install a new battery.



5. Close the computer cover and connect the cables. See "System board connectors" on page 124.

Note: When the computer is turned on for the first time after replacing the battery, an error message might be displayed. This is normal after replacing the battery.

6. Go to "Completing the FRU replacement" on page 150.

Replacing the power supply

Attention

Do not open your computer or attempt any repair before reading and understanding the “Important safety information” in the *ThinkCentre Safety and Warranty Guide* that came with your computer. To obtain a copy of the *ThinkCentre Safety and Warranty Guide*, go to: <http://www.lenovo.com/support>

Attention

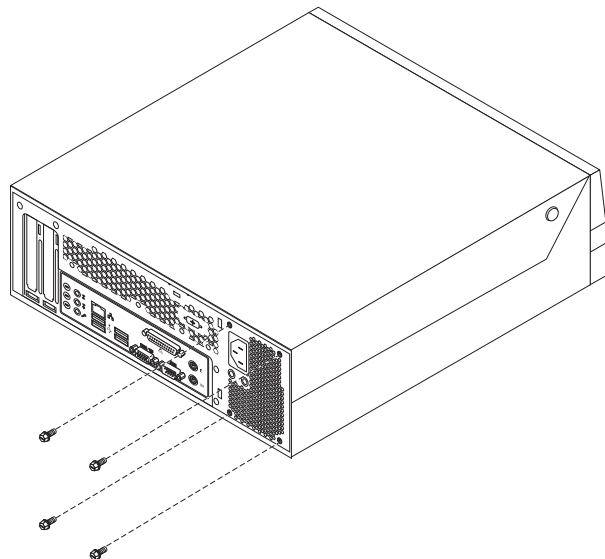
Never remove the cover on a power supply or any part that has the following label attached.



Hazardous voltage, current, and energy levels are present inside any component that has this label attached. There are no serviceable parts inside these components.

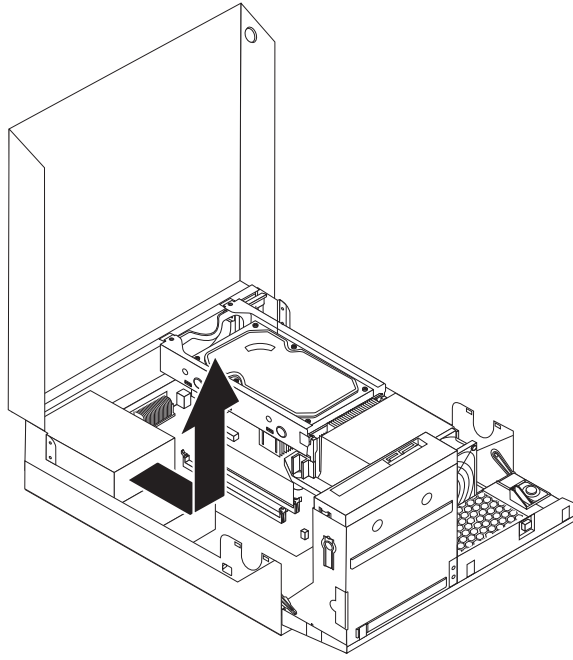
This section provides instructions on how to remove and replace the power supply.

1. Remove the four screws at the rear of the chassis that secure the power supply assembly.



2. Open the computer cover. See “Opening the cover” on page 125.
3. Pivot the drive bay assembly upward to gain access to the power supply assembly.
4. Locate the power supply assembly. See “Computer components” on page 83.

5. Disconnect the power supply assembly cables from all drives and from the power connectors.
6. Remove the power supply assembly cables from the cable clips and ties.
7. Slide the power supply assembly away from the chassis and remove it from the computer.



8. Install the new power supply assembly into the chassis so that the screw holes in the new power supply assembly align with those in the chassis.
9. Install and tighten the four screws at the rear of the chassis to secure the power supply assembly.

Note: Use only the screws provided by Lenovo.

10. Reconnect all the power supply assembly cables to the drives and the system board.
11. Go to “Completing the FRU replacement” on page 150.

Replacing the system board

Attention

Do not open your computer or attempt any repair before reading and understanding the “Important safety information” in the *ThinkCentre Safety and Warranty Guide* that came with your computer. To obtain a copy of the *ThinkCentre Safety and Warranty Guide*, go to: <http://www.lenovo.com/support>

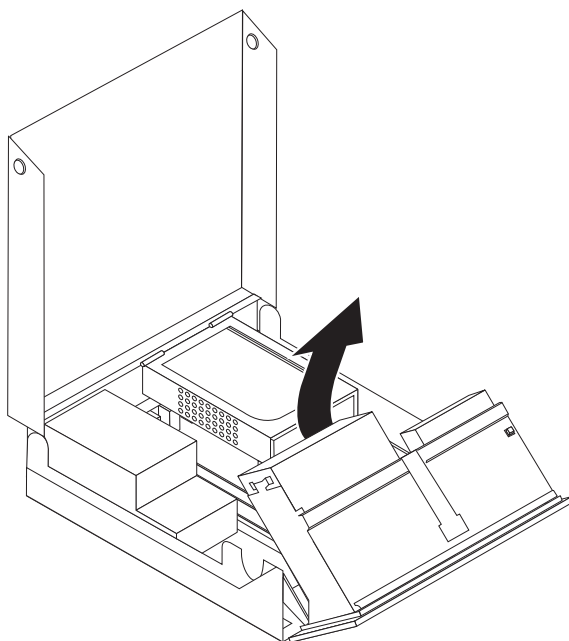
CAUTION:



The heat sink and microprocessor might be very hot. Turn off the computer and wait three to five minutes to let the computer cool before opening the computer cover.

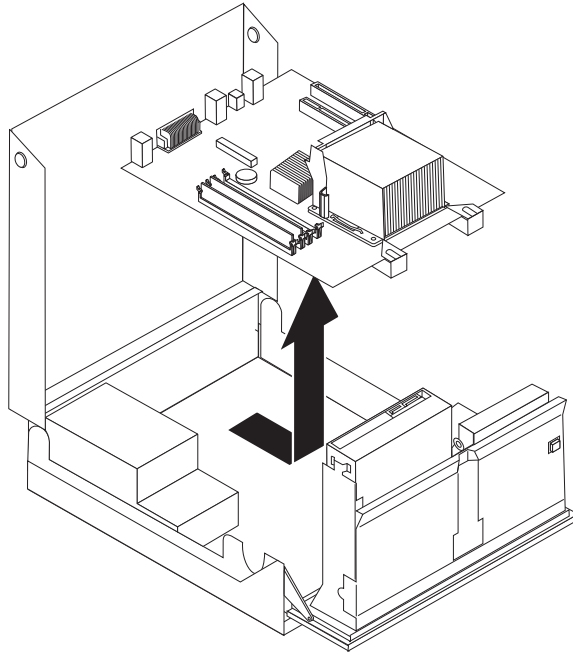
This section provides instructions on how to remove and replace the system board.

1. Open the computer cover. See “Opening the cover” on page 125.
2. Pivot the drive-bay assembly upward to gain easier access to the system board.

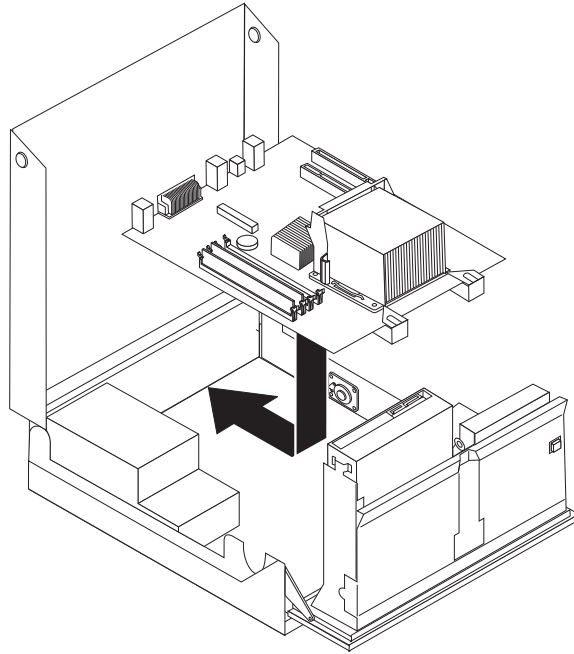


3. Disconnect all cables connected to the system board. See “System board connectors” on page 124.
4. Remove the hard disk drive and disconnect it from the system board. See “Replacing the hard disk drive” on page 138.
5. Remove any adapter cards installed in the PCI connectors. See “Installing or replacing an adapter card” on page 147.
6. Remove the heat sink and microprocessor from the failing system board. See “Replacing the microprocessor” on page 134.
7. Remove the memory modules from the failing system board and install them into the same position on the new system board. See “Replacing a memory module” on page 127.

8. Slide the system board toward the front until it can be lifted out of the chassis.



9. Position the new system board so that it is aligned with the mounting studs then slide it to the rear of the chassis until it is fully seated.



10. Reinstall any PCI adapters that were removed. See “Installing or replacing an adapter card” on page 147.
11. Reinstall the hard disk drive and connect the cables to the new system board. See “Replacing the hard disk drive” on page 138.
12. Reinstall the heat sink and microprocessor to the new system board. See “Replacing the microprocessor” on page 134.
13. Reinstall the memory modules into the same position on the new system board. See “Replacing a memory module” on page 127.
14. Reconnect all cables that were disconnected from the system board. See “System board connectors” on page 124.
15. Go to “Completing the FRU replacement” on page 150.

Replacing the microprocessor

Attention

Do not open your computer or attempt any repair before reading and understanding the "Important safety information" in the *ThinkCentre Safety and Warranty Guide* that came with your computer. To obtain a copy of the *ThinkCentre Safety and Warranty Guide*, go to: <http://www.lenovo.com/support>

CAUTION:

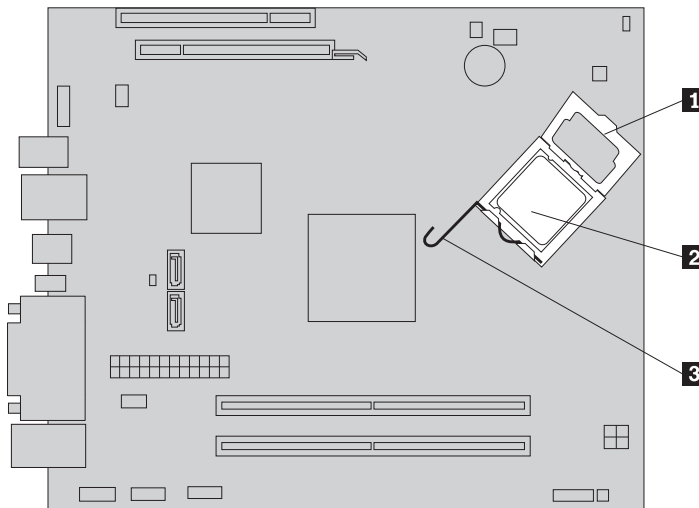


The heat sink and microprocessor might be very hot. Turn off the computer and wait three to five minutes to let the computer cool before opening the computer cover.

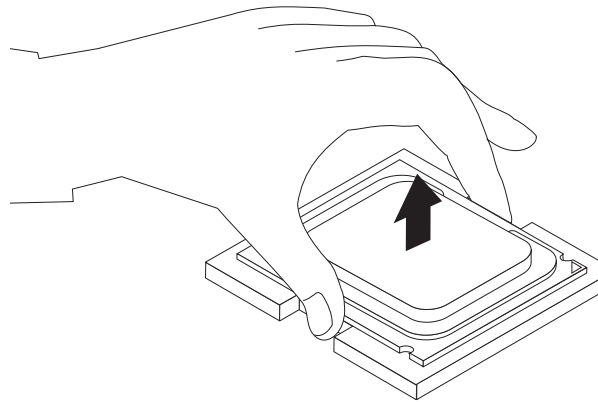
This section provides instructions on how to replace the microprocessor.

To replace the microprocessor:

1. Open the computer cover. See "Opening the cover" on page 125.
2. Remove any parts or cables that may prevent your access to the system board.
3. Remove the heat sink and fan assembly. See "Replacing the heat sink and fan assembly" on page 92.
4. Place the heat sink and fan assembly on its side so that the thermal grease does not come in contact with anything.
5. Lift the small handle **3** and open the retainer **1** to access the microprocessor **2**.

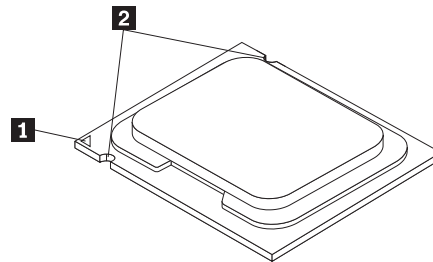


6. Lift the microprocessor straight up and out of the socket.



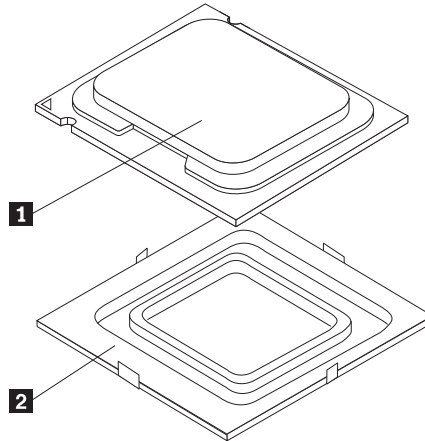
Notes:

- a. Your microprocessor and socket might look different from the one illustrated.
- b. Note the orientation of the microprocessor in the socket. You can either look for the small triangle **1** on one corner of the microprocessor or note the orientation of the notches **2** on the microprocessor. This is important when installing the new microprocessor on the system board.



- c. Touch only the sides of the microprocessor. Do not touch the gold contacts on the bottom.
 - d. Do not drop anything onto the microprocessor socket while it is exposed. The socket pins must be kept as clean as possible.
7. Make sure that the small handle is in the raised position.

8. Remove the protective cover **2** that protects the gold contacts on the new microprocessor **1**.



9. Hold the new microprocessor and align the notches on it with the tabs in the microprocessor socket, or align the small triangle on one corner with the corresponding beveled corner of the microprocessor socket.
10. Lower the new microprocessor straight down into the microprocessor socket on the system board.
11. Close the microprocessor retainer and lock it into position with the small handle to secure the new microprocessor in the socket.
12. Reinstall the heat sink and fan assembly. See “Replacing the heat sink and fan assembly” on page 92.
13. Reinstall any other parts or reconnect any other cables you removed.
14. Go to “Completing the FRU replacement” on page 150.

Replacing the heat sink and fan assembly

Attention

Do not open your computer or attempt any repair before reading and understanding the "Important safety information" in the *ThinkCentre Safety and Warranty Guide* that came with your computer. To obtain a copy of the *ThinkCentre Safety and Warranty Guide*, go to: <http://www.lenovo.com/support>

CAUTION:

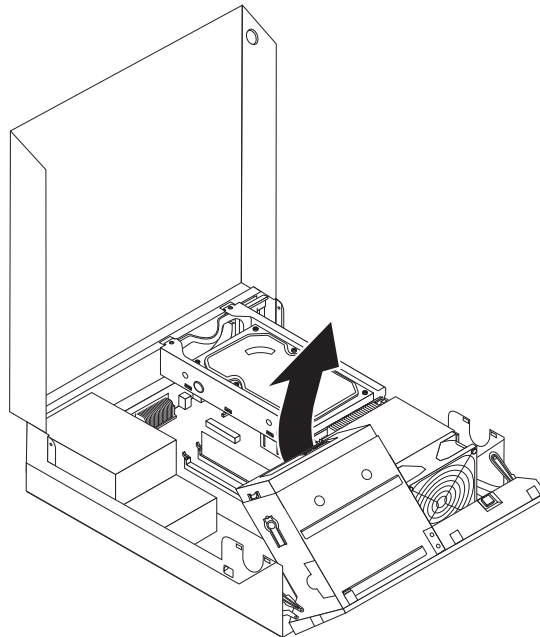


The heat sink and microprocessor might be very hot. Turn off the computer and wait three to five minutes to let the computer cool before opening the computer cover.

This section provides instructions on how to replace the heat sink and fan assembly.

To replace the heat sink and fan assembly:

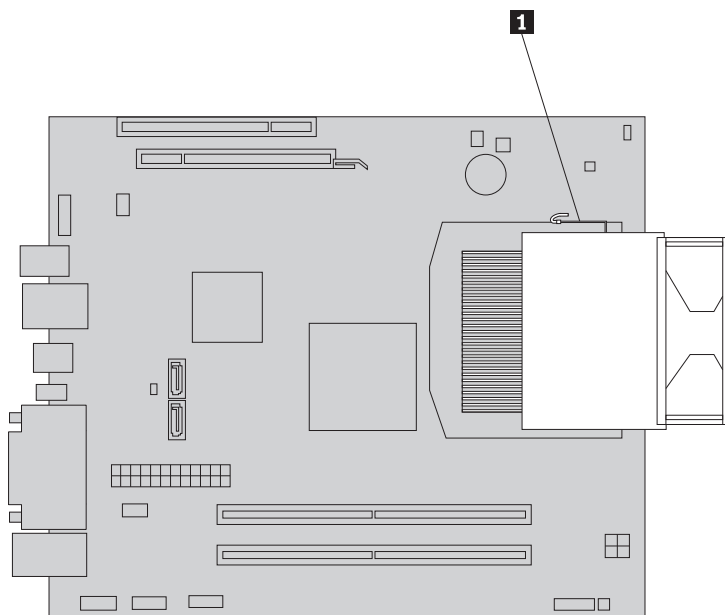
1. Open the computer cover. See "Opening the cover" on page 125.
2. Pivot the drive bay assembly upward to gain access to the heat sink and fan assembly.



3. Locate the heat sink and fan assembly and disconnect the heat sink and fan assembly cable from the system board. See "System board connectors" on page 124.
4. Remove the heat sink and fan assembly from the system board by pivoting the lever **1** that secures the heat sink and fan assembly until the lever is fully in the up position. Carefully lift the heat sink and fan assembly off the system board.

Notes:

- a. You might have to gently twist the heat sink and fan assembly to free it from the microprocessor.
- b. Do not touch the thermal grease while handling the heat sink and fan assembly.



5. Place the new heat sink and fan assembly into position and lower the lever to secure the new heat sink and fan assembly.
6. Connect the heat sink and fan assembly cable to the microprocessor fan connector on the system board. See “System board connectors” on page 124.
7. Go to “Completing the FRU replacement” on page 150.

Replacing the hard disk drive

Attention

Do not open your computer or attempt any repair before reading and understanding the “Important safety information” in the *ThinkCentre Safety and Warranty Guide* that came with your computer. To obtain a copy of the *ThinkCentre Safety and Warranty Guide*, go to: <http://www.lenovo.com/support>

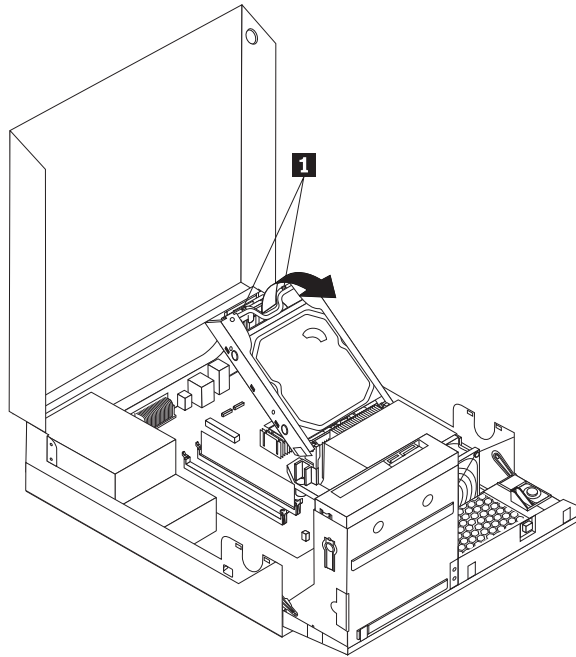
Important

When you receive a new hard disk drive, you also receive a set of *Product Recovery discs*. The set of *Product Recovery discs* enables you to restore the contents of the hard disk drive to the factory-installed state. For more information on recovering factory-installed software, refer to “Recovering Information” in the *User Guide*.

This section provides instructions on how to replace the hard disk drive.

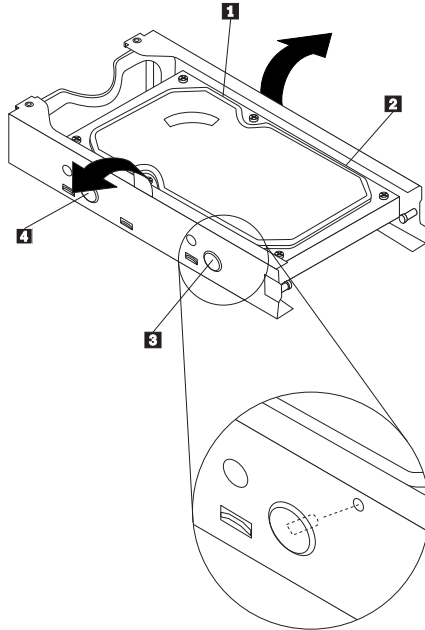
To replace the hard disk drive:

1. Open the computer cover. See “Opening the cover” on page 125.
2. You might need to pivot the drive bay assembly upward to gain easy access to the hard disk drive.
3. Locate the hard disk drive.
4. Push the blue handle of the hard disk drive bracket inwards to release the two clips **1** that secure the hard disk drive to the chassis, and then rotate the hard disk drive upwards and lift it up to remove it from the computer.



5. Disconnect the signal cable and the power cable from the hard disk drive.

6. Remove the old hard disk drive from the bracket by flexing the sides of the bracket enough to slide it free from the hard disk drive.
7. To install a new hard disk drive into the bracket, flex the bracket and align pin **1**, pin **2**, pin **3**, and pin **4** on the bracket with the holes in the hard disk drive.



Important: Do not touch the circuit board on the bottom of the hard disk drive.

8. Connect the signal cable and the power cable to the new hard disk drive.
9. Install the new hard disk drive and bracket into the rear retainer and rotate down until the two clips on the blue handle of the hard disk drive bracket snap into position.
10. Go to “Completing the FRU replacement” on page 150.

Replacing the optical drive

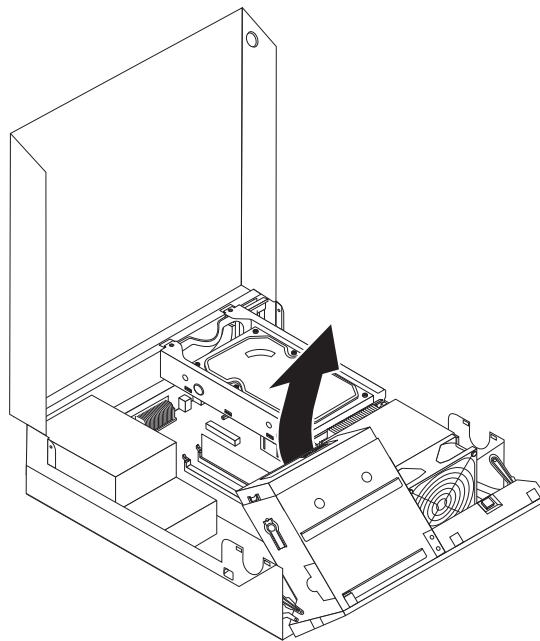
Attention

Do not open your computer or attempt any repair before reading and understanding the "Important safety information" in the *ThinkCentre Safety and Warranty Guide* that came with your computer. To obtain a copy of the *ThinkCentre Safety and Warranty Guide*, go to: <http://www.lenovo.com/support>

This section provides instructions on how to replace the optical drive.

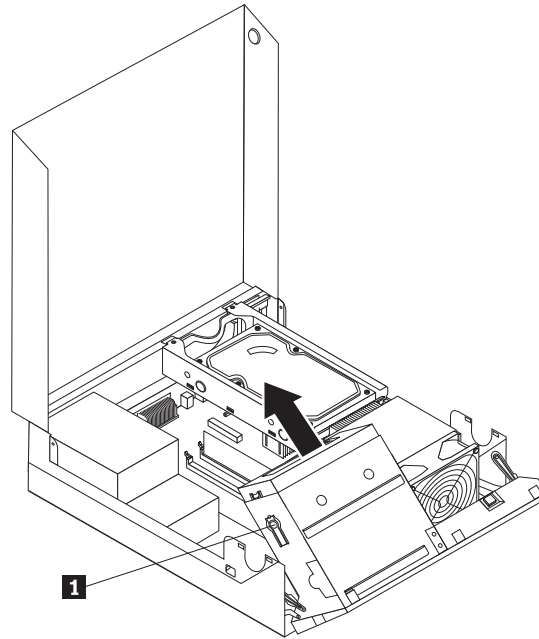
To replace the optical drive:

1. Open the computer cover. See "Opening the cover" on page 125.
2. Pivot the drive bay assembly upward to gain access to the optical drive.

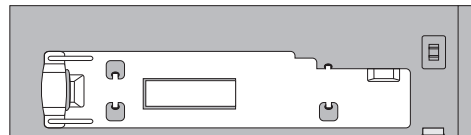


3. Disconnect the signal cable and the power cable from the rear of the optical drive.

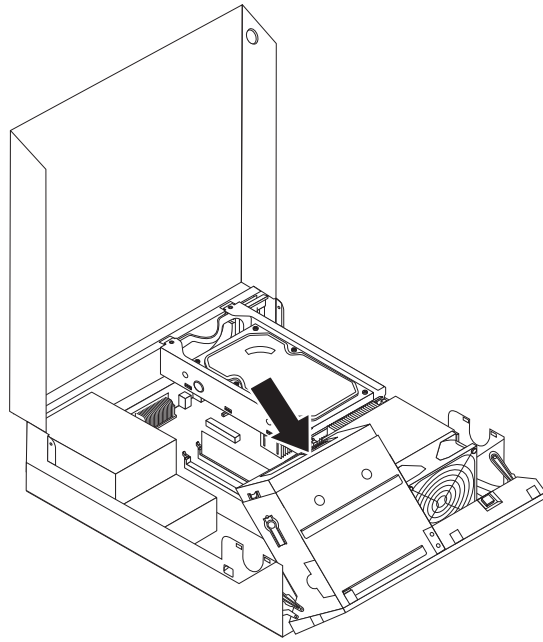
4. Press the optical drive lock **1** and slide the optical drive out of the rear of the drive bay assembly.



5. Remove the optical drive retainer from the drive being replaced and then install the retainer on the left side of the new drive to be installed.



6. Install the new optical drive into the bay until it snaps into position.



7. Connect the signal and power cables to the rear of the optical drive.
8. Go to “Completing the FRU replacement” on page 150.

Replacing the internal speaker

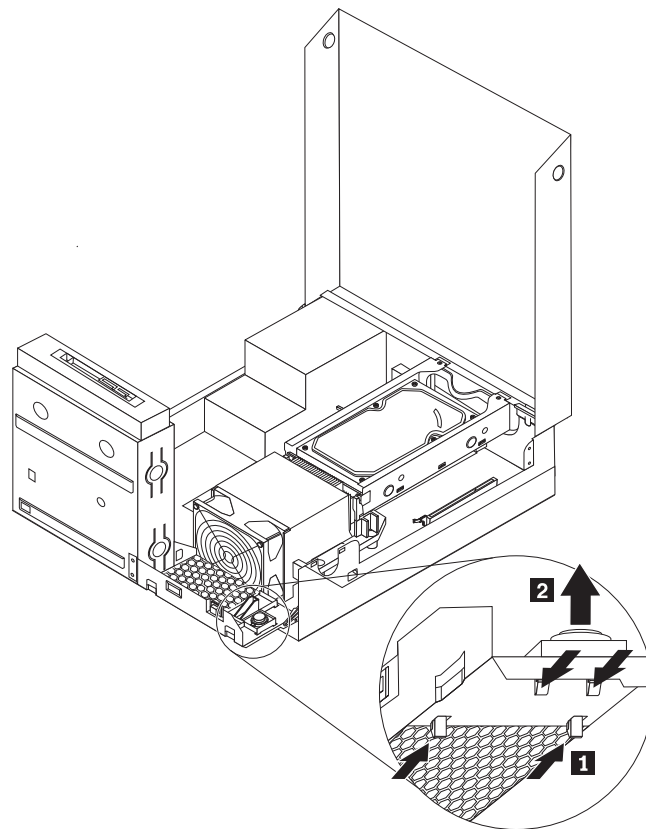
Attention

Do not open your computer or attempt any repair before reading and understanding the "Important safety information" in the *ThinkCentre Safety and Warranty Guide* that came with your computer. To obtain a copy of the *ThinkCentre Safety and Warranty Guide*, go to: <http://www.lenovo.com/support>

This section provides instructions on how to replace the internal speaker.

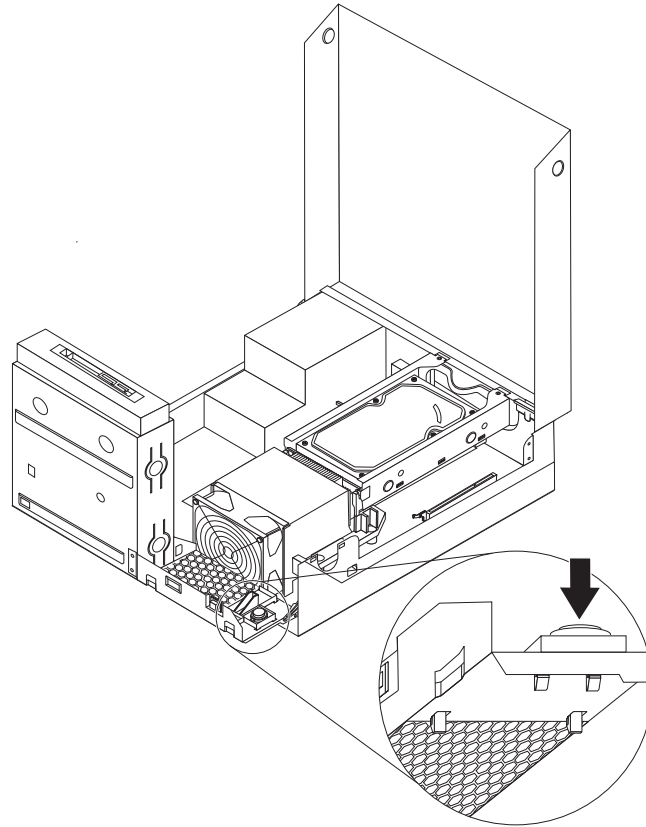
To replace the internal speaker:

1. Open the computer cover. See "Opening the cover" on page 125.
2. Remove the front bezel by releasing the three tabs.
3. Pivot the drive bay assembly upward to gain access to the internal speaker. See "Accessing system board components and drives" on page 126.
4. Locate the internal speaker. See "Computer components" on page 123.
5. Disconnect the internal speaker cable and the thermal sensor cable from the internal speaker connector and the thermal sensor connector on the system board. See "System board connectors" on page 124.
6. Push the four tabs **1** on the bottom of the internal speaker one by one to release the internal speaker, and then lift the internal speaker **2** straight up to completely remove it from the chassis.



7. Remove the thermal sensor cable latched on the bottom of the old internal speaker and install it on the new internal speaker.

- Align the four tabs on the bottom of the new internal speaker with the corresponding holes in the chassis, and push the new internal speaker straight down until it snaps into position.



- Reconnect the internal speaker cable and the thermal sensor cable to the system board.
- Go to “Completing the FRU replacement” on page 150.

Replacing the power switch/LED assembly

Attention

Do not open your computer or attempt any repair before reading and understanding the “Important safety information” in the *ThinkCentre Safety and Warranty Guide* that came with your computer. To obtain a copy of the *ThinkCentre Safety and Warranty Guide*, go to: <http://www.lenovo.com/support>

This section provides instructions on how to remove and replace the power switch/LED assembly.

- Open the computer cover. See “Opening the cover” on page 125.
- Remove the front bezel.
- Disconnect the power switch/LED assembly cable from the system board. “System board connectors” on page 124
- Remove the screw that secures the power switch/LED assembly to the chassis.
- Remove the power switch/LED assembly from the chassis.
- Install the power switch/LED assembly into the chassis and secure the assembly with the screw.

7. Connect the power switch/LED cable to the system board.
8. Reinstall the front bezel.
9. Go to “Completing the FRU replacement” on page 150.

Replacing the card reader

Attention

Do not open your computer or attempt any repair before reading and understanding the “Important safety information” in the *ThinkCentre Safety and Warranty Guide* that came with your computer. To obtain a copy of the *ThinkCentre Safety and Warranty Guide*, go to: <http://www.lenovo.com/support>

This section provides instructions on how to replace the card reader.

To replace the card reader:

1. Open the computer cover. See “Opening the cover” on page 125.
2. Pivot the drive bay assembly upward to gain access to the card reader. See “Computer components” on page 123.
3. Locate the card reader.
4. Disconnect the card reader cable from the front USB connector on the system board. See “System board connectors” on page 124.
5. Remove the screw that secures the card reader to the chassis.
6. Remove the card reader from the chassis.
7. Install a new card reader into the chassis and align the screw hole in the new card reader with the hole in the chassis.
8. Install the screw to secure the new card reader to the chassis.
9. Reconnect the card reader cable to the system board.
10. Go to “Completing the FRU replacement” on page 150.

Installing or replacing an adapter card

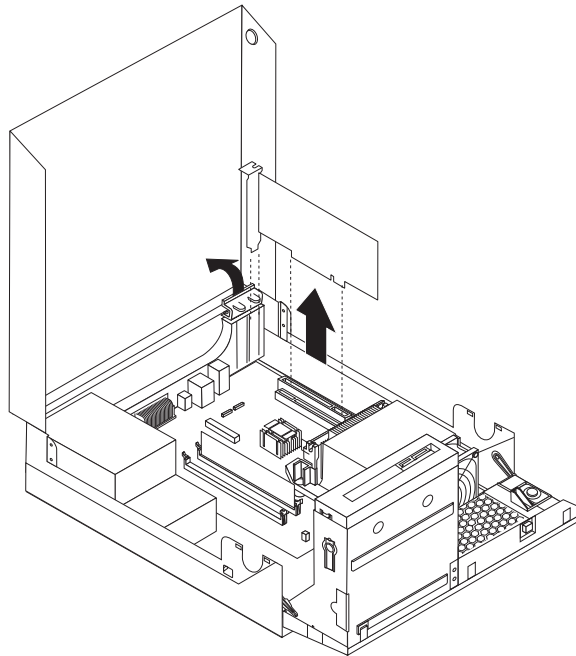
Attention

Do not open your computer or attempt any repair before reading and understanding the "Important safety information" in the *ThinkCentre Safety and Warranty Guide* that came with your computer. To obtain a copy of the *ThinkCentre Safety and Warranty Guide*, go to: <http://www.lenovo.com/support>

This section provides instructions on how to install or replace an adapter card. Your computer has one standard PCI adapter card slot and one PCI Express x16 graphics adapter card slot.

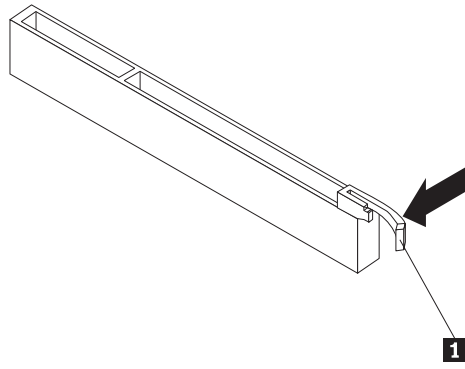
To install or replace an adapter card:

1. Open the computer cover. See "Opening the cover" on page 125.
2. Rotate the adapter card retainer to the open position. Remove the appropriate slot cover. If you are replacing an adapter card, remove the adapter card that is currently installed.



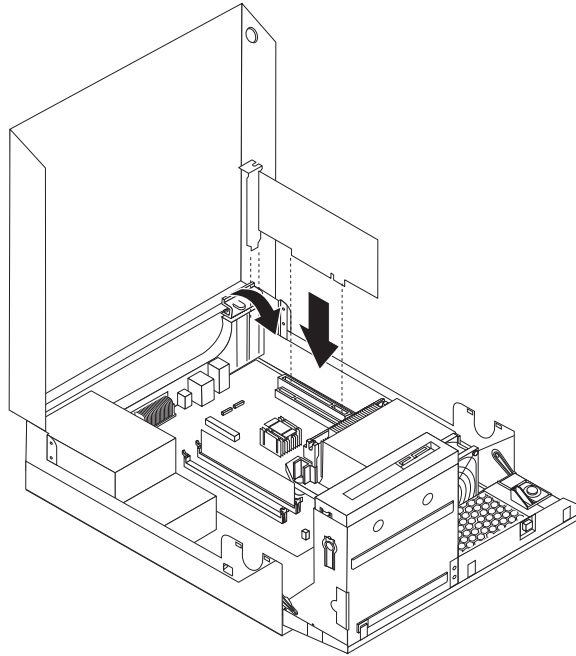
Notes:

- a. The adapter card fits tightly into the card slot. If necessary, alternate moving each side of the adapter card a small amount until it is removed from the adapter card slot.
- b. If the adapter card is held in place by a retaining latch, press the adapter card retaining latch **1** as shown to disengage the latch. Grasp the adapter card and then gently pull the adapter card out of the slot.



3. Remove the new adapter card from its static-protective package.

4. Install the adapter card into the appropriate adapter card slot on the system board. See "System board connectors" on page 124.



5. Rotate the adapter retainer to the closed position.
6. To complete the installation, go to "Completing the FRU replacement" on page 150.

Completing the FRU replacement

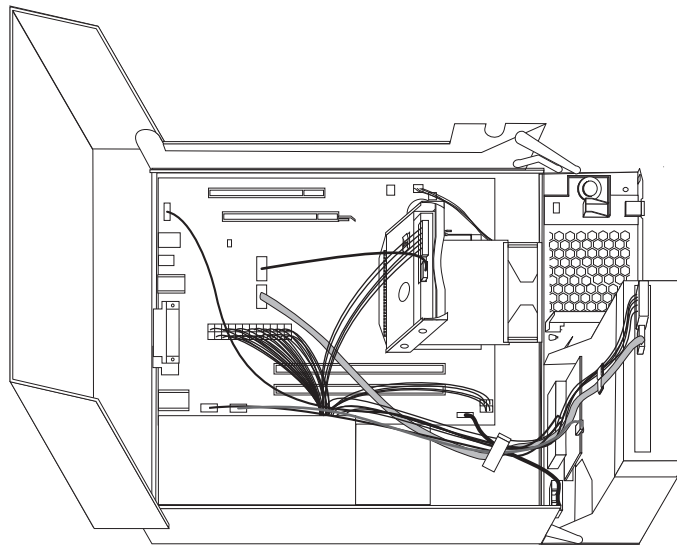
After replacing FRUs, you need to install any removed parts, replace the cover, and reconnect any cables, including telephone lines and power cords. Also, depending on the FRU that is replaced, you might need to confirm the updated information in the Setup Utility program.

Note: When the power cord is first plugged in, the computer might appear to turn on for a few seconds and then turn off. This is a normal sequence to enable the computer to initialize.

1. Ensure that all components have been reassembled correctly and that no tools or loose screws are left inside your computer.
2. Reposition any cables that might impede the replacement of the computer cover.

Important

Correctly route all power supply cables to avoid interference with the drive bay assembly. Keep cables clear of the hinges and sides of the computer chassis.



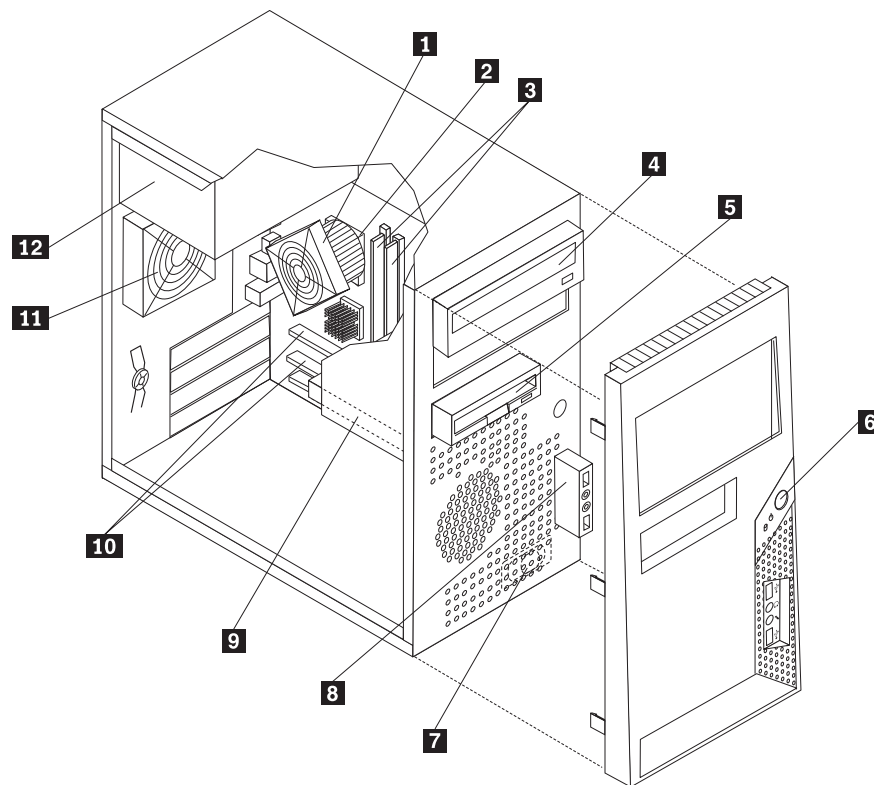
3. Lower the drive bay assembly and place the drive locks to the locked position. Otherwise, you cannot close the computer cover.
4. Reconnect the external cables and power cords to the computer. See “Rear connectors” on page 122.
5. If you have replaced the system board, you must update (flash) the BIOS. See “Flash update procedures” on page 379.
6. Some FRU replacements require the configuration to be updated. See Chapter 6, “Using the Setup Utility,” on page 49.

Chapter 10. FRU lists

Attention: Read “Important information about replacing RoHS compliant FRUs” on page 2 before replacing any FRUs.

Note: In the following tables, a CRU (Customer Replaceable Unit) is identified as either "1", "2", or "N" in the CRU column. "N" means that the part is not a CRU, "1" means that the part is a Self-service CRU, and "2" means that the part is an Optional-service CRU.

Machine Type 7258



Item #	7258 FRUs	FRU#	CRU
1	Heat Sink, Intel 95W/65W Heatsink (all models)	43N9409	2
2	Microprocessor, E6550 2.33GHZ/1333MHZ/4M G-0 65W (models)	43C3833	N
2	Microprocessor, E8600 3.33GHZ/1333MHZ/6M E0 65W (models)	46R8640	N
2	Microprocessor, E8500 3.16GHz 1333MHz FSB 6M C-0 65W (models)	45C7735	N
2	Microprocessor, E8400 3.0GHz 1333MHz FSB 6M C-0 65W (models A1V)	45C7736	N
2	Microprocessor, E8300 2.83GHz 1333MHz FSB 6M C-0 65W (models)	45C7737	N
2	Microprocessor, E8200 2.66GHz 1333MHz FSB 6M C-0 65W (models)	45C7738	N
2	Microprocessor, E8190 2.66GHz 1333MHz FSB 6M C-0 - NON VT/Vpro 65W (models)	45R2568	N
2	Microprocessor, E7200 2.53GHz 1066MHz FSB 3M M-0 65W (models)	45R8337	N

Item #	7258 FRUs	FRU#	CRU
2	Microprocessor, E7300 2.66GHz 1066MHz FSB 3M M-0 65W (models)	46R1622	N
2	Microprocessor, E7400 2.8GHZ 1066M 3M R0 (ViiV,EIST,EM64T,EDB) 65W (models)	53Y6653	N
2	Microprocessor, E7500 2.93GHZ 1066M 3M R0 (ViiV,EIST,EM64T,EDB) 65W (models)	53Y6654	N
2	Microprocessor, E2160 Conroe-L 1.8GHz 800MHz FSB 1M (models)	43C1968	N
2	Microprocessor, E2180 Conroe-L 2.0GHz 800MHz FSB 1M (models)	45C1773	N
2	Microprocessor, E2200 Conroe-L 2.2GHz 800MHz FSB 1M (models)	45C5349	N
2	Microprocessor, E2220 Conroe-L 2.4GHz 800MHz FSB 1M (models)	45C1774	N
2	Microprocessor, E5200 800MHz 2M M-0 65W, 45nm (models)	46R9512	N
2	Microprocessor, E5300 2.6GHz 800MHz 2MB R0 (EIST,EM64T,EDB) 65W (models)	53Y9049	N
2	Microprocessor, E1600 2.4GHZ/800MHZ/512K - NPI M-0 65W (models)	46R1655	N
2	Microprocessor, E1400 2.0GHz 800MHz FSB 512K- NPI M-0 65W(models)	45R8339	N
2	Microprocessor, E1200 1.6GHZ/800MHZ/512K M-0 65W (models)	45R8341	N
2	Microprocessor, E1500 2.2GHz 800MHz 512KB (EIST,EM64T,EDB) M0 65W (models)	53Y9051	N
2	Microprocessor, Cel-420 Conroe-L 1.6GHz 800MHz FSB 512K (models)	43C3835	N
2	Microprocessor, Cel-430 Conroe-L 1.8GHz 800MHz FSB 512K (models)	43C1964	N
2	Microprocessor, Cel-440 Conroe-L 2.0GHz 800MHz FSB 512K (models)	43C1965	N
2	Microprocessor, Cel-450 2.2GHz 800MHz FSB 512K 35W (models)	46R9514	N
2	Microprocessor, Q9650 3.0GHZ 1333FSB 12MB VT, TXT E-0 95W (models)	46R8642	N
2	Microprocessor, Q9400 2.66GHZ 1333FSB 6MB VT, TXT R-0 95W (models)	46R8644	N
2	Microprocessor, Q8200 2.33GHz 1333FSB 4M M-1 95W (models)	46R9516	N
2	Microprocessor, Q8300 Yorkfield 2.5GHZ,1333MHz,4M R-0 (ViiV,EIST,EM64T,EDB) (models)	53Y6656	N
2	Microprocessor, Q6600 2.4GHZ 1066FSB 8M G-0 Stepping Level, 95W (models)	43C1695	N
2	Microprocessor, Q6700 2.66GHZ 1066FSB 8M G-0 Stepping Level, 95W (models)	43C6309	N
2	Microprocessor, Q9550 2.83GHZ 1333FSB 12M C-1 95W (models)	45C7739	N
2	Microprocessor, Q9450 Yorkfield 2.66GHZ 1333FSB 12M C-1 95W (models)	45C7740	N
2	Microprocessor, Q9300 Yorkfield 2.50GHZ 1333FSB 6M M-1 95W (models)	45C7741	N
3	Memory module, 512MB PC2-5300 (667MHz) DDR2 SDRAM (models)	41X4255	1
3	Memory module, 1GB PC2-5300 (667MHz) DDR2 SDRAM (models)	41X4256	1
3	Memory module, 2GB PC2-5300 (667MHz) DDR2 SDRAM (models)	41X4257	1
3	Memory module, 512MB PC2-6400 (800MHz) DDR2 SDRAM (models)	41X1079	1
3	Memory module, 1GB PC2-6400 (667MHz) DDR2 SDRAM (models A1V)	41X1080	1
3	Memory module, 2GB PC2-6400 (667MHz) DDR2 SDRAM (models)	41X1081	1
4	Optical drive, DVD-ROM Drive - 16x/48x - SATA Vista & non-Vista (models A1V)	41N3325	1
4	Optical drive, DVD Recordable/CD-RW Rambo 8 - SATA Vista & non-Vista (models)	43C1042	1
4	Optical drive, Blu-ray Recorder / DVD Super Multi (models)	53Y7643	1
5	Floppy Diskette Driver - 3.5" 1.44MB 2 Mode FDD with Bezel and cable Tower (models)	40Y9107	1

Item #	7258 FRUs	FRU#	CRU
5	Floppy Diskette Driver - 3.5" 1.44MB 2 Mode FDD with Bezel and cable Tower (models)	40Y9105	1
6	Power switch / LED assembly (all models)	43N9074	1
7	Speaker, Internal speaker 400mm --optional (all models)	43N9091	1
8	Front audio / USB assembly (all models)	43N9076	1
9	Hard disk drive, SATA 80GB 7200RPM/3Gb/8MB (models A1V)	40Y9035	1
9	Hard disk drive, SATA 250GB 7200RPM/3Gb/8MB (models)	40Y9036	1
9	Hard disk drive, SATA 320GB 7200rpm SATA/8MB (models)	87H4891	1
9	Hard disk drive, SATA 500GB 7200RPM/3Gb/s/8MB (models)	41X5582	1
9	Hard disk drive, 1TB 7200rpm SATA (models)	45C5973	1
9	Hard disk drive,150G 10K rpm,SATA (models)	46R8893	1
10	System board, Intel G41 MATX(GA) Tower non-AMT (models A1V)	46R8891	N
10	System board, Intel G41 MATX(GA) -NB upgrade (models A1V)	64Y9197	N
11	Rear system fan (all models)	41R6269	2
12	Power supply, 280W Active PFC power supply(Auto sensing) for 10L---Robust,WW,JP (models A1V)	41A9721	2
12	Power supply, 280W 85+power supply for 10L---Robust,WW,JP (models A1V)	41A9684	2
12	Power supply, ATX 280W 80% power supply;Robust,WW,JP (models A1V)	41A9665	2
12	Power supply, ATX 320W 88% Power supply; Robust,WW,JP (models A1V)	45J9410	2
12	Power supply, 280W Watt ATX Power supply (85plus)-WW, Robust,JP (models A1V)	45J9431	2

The FRUs listed in the following tables are not illustrated.

7258 FRUs	FRU#	CRU
Shield, 5.25 EMC FOR 1st ODD Bay (all models)	41N8080	1
Cable -SATA 457mm (RoHS) for ODD (all models)	43N9013	2
Intrusion Switch Asm Tamdhu 475mm --Optional (all models)	39K5022	2
2st HDD SATA cable, 120mm, 1 latching for Device, RoHS (all models)	41R3328	2
Cable-SATA 250mm (RoHS) for 1st HDD (all models)	43N9012	2
Secondl HDD Bracket Asm for TamdhuIII (all models)	41R6106	1
Temp Sense Cable (6pin 460 mm) (all models)	45J9495	2
Front FAN 2X500G HDD or 500GB+1TB Only (all models)	41R4791	2
FDD Cable-TamdhuIII (all models)	41A7182	2
FDD Cable, 310mm (all modles)	41A7147	2
Card Reader Retainer-TamdhuII (all models)	41R2913	1
No OptiCal Bezel Kit - Tamdhu II (all models)	41N8077	1
Cover (all models)	41N8050	1
I/O Shield - Ace (all models)	41N8053	2
Intrusion Switch asm (all models)	41R6116	2
4 Pin System Fan For Tamdhu2, Apollo (all models)	41R6269	2
HDD TRAY, TAMDHU (all models)	41R6291	1

7258 FRUs	FRU#	CRU
Asm Chassis Without IBM Mark, Recycle (all models)	43N9415	N
ODD/FDD/Cardreader Retainers, Tamdhu (all models)	43N9351	2
Blank 5.25" Bezel, Recycle (all models)	43N9413	2
ASM BEZEL, WITHOUT IBM MARK, Recycle (all models)	43N9412	1
Cable Clip, FW-6D (all models)	43N9462	2
BATTERY 3V-LITHIUM (models A1V)	45C1566	1
3.5" Convert 2.5" for 150GB 10K rpm HDD (1st HDD bay) (models)	43N9593	2

7258 Keyboard (Lenovo Preferred Pro USB -- without hub)	FRU#	CRU Tier
US English (models)	41A5289	1
Arabic (models)	41A5290	1
Arabic/French (models)	41A5291	1
Belgian/French (models)	41A5292	1
Belgian/English (models)	41A5293	1
Brazilian Portuguese (models)	41A5294	1
Bulgarian (models)	41A5295	1
Chinese/US (models A1V)	41A5296	1
Czech (models)	41A5297	1
Danish (models)	41A5298	1
Dutch (models)	41A5299	1
French (models)	41A5300	1
French Canadian (models)	41A5301	1
French Canadian (models)	41A5302	1
German (models)	41A5303	1
Greek (models)	41A5304	1
Greek/US (models)	41A5305	1
Hebrew (models)	41A5306	1
Hungarian (models)	41A5307	1
Iceland (models)	41A5308	1
Italian (models)	41A5309	1
Japanese (models)	41A5310	1
Korean (models)	41A5311	1
LA Spanish (models)	41A5312	1
Norwegian (models)	41A5313	1
Polish (models)	41A5314	1
Portuguese (models)	41A5315	1
Romanian (models)	41A5316	1
Romanian (models)	41A5317	1
Russian/Cyrillic (models)	41A5318	1
Serbian/Cyrillic (models)	41A5319	1
Slovak (models)	41A5320	1

7258 Keyboard (Lenovo Preferred Pro USB -- without hub)	FRU#	CRU Tier
Spanish (models)	41A5321	1
Swedish/Finnish (models)	41A5322	1
Swiss (models)	41A5323	1
Thailand (models)	41A5324	1
Turkish (models)	41A5325	1
Turkish (models)	41A5326	1
UK English (models)	41A5327	1
US Euro (models)	41A5328	1
Slovenian (models)	41A5329	1
Arabic(New) (models)	45J4880	1
Lithuanian (models)	45J4896	1

7258 Keyboard (Lenovo Fingerprint Reader USB)	FRU#	CRU Tier
US English (models)	41R0038	1
Arabic (models)	41R0039	1
Arabic/French (models)	41R0040	1
Belgian/French (models)	41R0041	1
Belgian/English (models)	41R0042	1
Brazilian Portuguese (models)	41R0043	1
Bulgarian (models)	41R0044	1
Chinese/US (models)	41R0045	1
Czech (models)	41R0046	1
Danish (models)	41R0047	1
Dutch (models)	41R0048	1
French (models)	41R0049	1
French Canadian (models)	41R0050	1
French Canadian (models)	41R0051	1
German (models)	41R0052	1
Greek (models)	41R0053	1
Greek/US (models)	41R0054	1
Hebrew (models)	41R0055	1
Hungarian (models)	41R0056	1
Iceland (models)	41R0057	1
Italian (models)	41R0058	1
Japanese (models)	41R0059	1
Korean (models)	41R0060	1
LA Spanish (models)	41R0061	1
Norwegian (models)	41R0062	1
Polish (models)	41R0063	1
Portuguese (models)	41R0064	1
Romanian (models)	41R0065	1

7258 Keyboard (Lenovo Fingerprint Reader USB)	FRU#	CRU Tier
Romanian (models)	41R0066	1
Russian/Cyrillic (models)	41R0067	1
Serbian/Cyrillic (models)	41R0068	1
Slovak (models)	41R0069	1
Spanish (models)	41R0070	1
Swedish/Finnish (models)	41R0071	1
Swiss (models)	41R0072	1
Thailand (models)	41R0073	1
Turkish (models)	41R0074	1
Turkish (models)	41R0075	1
UK English (models)	41R0076	1
US Euro (models)	41R0077	1
Slovenian (models)	41R0078	1

7258 Keyboard (Lenovo Preferred Pro PS/2 Full Size)	FRU#	CRU Tier
US English (models)	41A5039	1
Arabic (models)	41A5040	1
Arabic/French (models)	41A5041	1
Belgian/French (models)	41A5042	1
Belgian/English (models)	41A5043	1
Brazilian Portuguese (models)	41A5044	1
Bulgarian (models)	41A5045	1
Chinese/US (models)	41A5046	1
Czech (models)	41A5047	1
Danish (models)	41A5048	1
Dutch (models)	41A5049	1
French (models)	41A5050	1
French Canadian (models)	41A5051	1
French Canadian (models)	41A5052	1
German (models)	41A5053	1
Greek (models)	41A5054	1
Greek/US (models)	41A5080	1
Hebrew (models)	41A5055	1
Hungarian (models)	41A5056	1
Iceland (models)	41A5057	1
Italian (models)	41A5058	1
Japanese (models)	41A5059	1
Korean (models)	41A5060	1
LA Spanish (models)	41A5061	1
Norwegian (models)	41A5062	1
Polish (models)	41A5063	1

7258 Keyboard (Lenovo Preferred Pro PS/2 Full Size)	FRU#	CRU Tier
Portuguese (models)	41A5064	1
Romanian (models)	41A5065	1
Russian/Cyrillic (models)	41A5066	1
Serbian/Cyrillic (models)	41A5067	1
Slovak (models)	41R0068	1
Spanish (models)	41R0069	1
Swedish/Finnish (models)	41A5070	1
Swiss (models)	41A5071	1
Thailand (models)	41A5072	1
Turkish (models)	41A5073	1
Turkish (models)	41A5074	1
UK English (models)	41A5075	1
US Euro (models)	41A5076	1
Slovenian (models)	41A5077	1

7258 mice	FRU#	CRU
Optical Wheel Mouse (400DPI, USB) (models A1V)	41U3013	1
Optical Wheel Mouse (400DPI, USB) (models A1V)	41U3030	1
PS/2 2 Button Ball Mouse (models)	41R0018	1

7258 Adapters and miscellaneous FRUs	FRU#	CRU
Internal 20 in 1 USB Memory Card Reader(Tower) (models)	45R8139	1
IEEE 1394 Firewire Adapter SFF (ROCKYS) (models)	41D2781	1
Dash Marvell Ethernet card ATX Tower (models)	53Y4008	1
Soft Modem V.90/V.44 SFF (ROCKYS) (models)	29R9729	1
Speaker Power brick - US, Canada, LA low voltage, ASEAN (models)	89P8571	1
Speaker Power brick - LA high voltage (non-APU) (models)	89P8575	1
Speaker Power brick - SIMPLIFIED -CHN, Thailand EMEA (models)	89P8581	1
Speaker Power brick - JAPANESE (models)	89P8577	1
Speaker Power brick - Brazil (models)	89P8583	1
Speaker Power brick - Argentina (models)	41A4901	1
Speaker Power brick - ANZ (models)	89P8579	1
Speaker Power brick - KOREA (models)	41A4903	1
Speaker Power brick - HONG KONG, EMEA,IRELAND (models)	89P8573	1
Speaker Power brick -TAIWAN-TC (models A1V)	41A4905	1
Speaker Power brick - INDIA, South Africa (models)	89P8585	1
2-pc external speaker--primary (models)	41A5331	1
2-pc external speaker-secondary (models)	41A5334	1
DVI-I(M)-VGA(F) cord (models)	41R3342	1
Geforce9500GT GDDR3 512MB - towerDVI+HDMI+DP (Tower) (models)	46R1524	1
ATI HD3470 GDDR3 256MB - VGA+DP (models)	46R1521	1

7258 Adapters and miscellaneous FRUs	FRU#	CRU
ADD2 DVI-D Adapter, (HDCP) DVD-D connection Adapter Low Profile (Silicon Image) (models)	43C0258	1
DisplayPort to DVI-D Dongle (models)	43N9160	1
DisplayPort to VGA Dongle (models)	45J9524	1
Modem phone cable (models)	39K5120	1
LI300mm Rear USB 2Ports II HP®(Tower) (models)	42Y8005	2
LI350mm Rear Com2 cable II mini® (Tower) (models)	41R8548	2
Nvidia G100 DDR2 256MB ATX - DVI-I+VGA (models)	53Y9249	1

7258 Line Cords	FRU#	CRU
Line cord - US (models)	41R3184	1
Line cord - US (models)	41R3185	1
Line cord - China (models)	41R3256	1
Line cord - China (models)	41R3257	1
Line cord - Japanese and Japanese English (models)	41R3248	1
Line cord - Japanese and Japanese English (models)	41R3249	1
Line cord - Brazil (models)	41R3270	1
Line cord - Brazil (models)	41R3271	1
Line cord - LA High Volt APU (models)	41R3176	1
Line Cord - LA High Volt APU (models)	41R3177	1
Line cord - ANZ (models)	41R3196	1
Line cord - ANZ (models)	41R3197	1
Line Cord - Korea (models)	41R3260	1
Line Cord - Korea (models)	41R3261	1
Line Cord - UK, Ireland, Singapore, Malaysia, Brunei (models)	41R3224	1
Line Cord - UK, Ireland, Singapore, Malaysia, Brunei (models)	41R3225	1
Line Cord - Taiwan (models AAV)	41R3278	1
Line Cord - Taiwan (models AAV)	41R3279	1
Line Cord - Italy (models)	41R3232	1
Line Cord - Italy (models)	41R3233	1
Line Cord - Indonesia, Laos, Cambodia, and Vietnam (models)	41R3208	1
Line Cord - Indonesia, Laos, Cambodia, and Vietnam (models)	41R3209	1
Line Cord - Denmark (models)	41R3212	1
Line Cord - Denmark (models)	41R3213	1
Line Cord - Switzerland (models)	41R3228	1
Line Cord - Switzerland (models)	41R3229	1
Line Cord - Israel (models)	41R3236	1
Line Cord - Israel (models)	41R3237	1
Line Cord - South Africa (models)	41R3220	1
Line Cord - South Africa (models)	41R3221	1
Line Cord - India (models)	41R3341	1

7258 Line Cords	FRU#	CRU
Line Cord - India (models)	41R3175	1
Line Cord - Thailand (models)	43N9029	1
Line Cord - Thailand (models)	43N9030	1
Line Cord - Y cable for Brazil (models)	43N9044	1

7258 Windows XP Pro Recovery CDs	FRU#	CRU
Dutch (models)	63Y8807	1
Hebrew (models)	63Y8810	1
Portuguese (models)	63Y8818	1
Russian English (models)	63Y8814	1
Hungarian (models)	63Y8816	1
Czech (models)	63Y8808	1
Turkish (models)	63Y8815	1
Greek (models)	63Y8817	1
Slovenian (models)	63Y8819	1
Korea (models)	63Y8823	1
US English (models)	64Y5615	1
French (models)	64Y5616	1
German (models)	64Y5617	1
Italian (models)	64Y5647	1
Brazilian Portuguese (models)	64Y5646	1
Spanish (models)	64Y5645	1
Danish (models)	64Y5736	1
Arabic (models)	64Y5739	1
Swedish (models)	64Y5735	1
Finnish (models)	64Y5737	1
Norwegian (models)	64Y5734	1
Polish (models)	64Y5738	1
Russian (models)	64Y5740	1
Japanese (models)	64Y6078	1
Simplified Chinese (models)	64Y5741	1
Traditional Chinese (models)	64Y5742	1
Hong Kong (models)	64Y5743	1

7258 Vista Home Basic 32 Recovery DVDs	FRU#	CRU
English (models)	64Y2512	1
French (models)	64Y2514	1
German (models)	64Y2515	1
Spanish (models)	64Y2516	1
Brazilian Portuguese (models)	64Y2517	1
Italian (models)	64Y2518	1

7258 Vista Home Basic 32 Recovery DVDs	FRU#	CRU
Japanese (models)	64Y2525	1
Dutch (models)	64Y2532	1
Czech (models)	64Y2519	1
Polish (models)	64Y2520	1
Russian (models)	64Y2521	1
Turkish (models)	64Y2522	1
Hungarian (models)	64Y2523	1
Greek (models)	64Y2524	1
Portuguese (models)	64Y2535	1
Simplified Chinese (models)	64Y2526	1
Hong Kong (models)	64Y2528	1
Traditional Chinese (models)	64Y2527	1
Korean (models)	64Y2529	1
Slovenian (models)	64Y2530	1
Russian English (models)	64Y2513	1
Hebrew (models)	64Y2533	1
Arabic enabled (models)	64Y2531	1
Slovakian (models)	64Y2537	1
Romanian (models)	64Y2534	1
Serbian-Latin (models)	64Y2536	1
Miami MUL DVD P/Ns Vista Home Basic 32 C&L 1 Nordics (English DK Fi No SV) (models)	64Y2538	1
Miami MUL DVD P/Ns Vista Home Basic 32 C&L 2 Switzerland (English FR GR IT) (models)	64Y2539	1
Miami MUL DVD P/Ns Vista Home Basic 32 C&L 3 Bel Lux (English FR GR NL) (models)	64Y2540	1

7258 Vista Business 32 Recovery DVDs	FRU#	CRU
English (models)	64Y2425	1
French (models)	64Y2427	1
German (models)	64Y2428	1
Spanish (models)	64Y2429	1
Brazilian (models)	64Y2430	1
Italian (models)	64Y2432	1
Japanese (models)	64Y2438	1
Dutch (models)	64Y2445	1
Czech (models)	64Y2432	1
Polish (models)	64Y2433	1
Russian (models)	64Y2434	1
Turkish (models)	64Y2435	1
Hungarian (models)	64Y2436	1
Greek (models)	64Y2437	1

7258 Vista Business 32 Recovery DVDs	FRU#	CRU
Portuguese (models)	64Y2448	1
Simplified Chinese (models)	64Y2439	1
Traditional Chinese (models A1V)	64Y2440	1
Hong Kong (models)	64Y2441	1
Korean (models)	64Y2442	1
Slovenian (models)	64Y2443	1
Russian English (models)	64Y2426	1
Romanian (models)	64Y2447	1
Sebian-Latin (models)	64Y2449	1
Slovakian (models)	64Y2450	1
Arabic enabled (models)	64Y2444	1
Hebrew (models)	64Y2446	1
Miami MUL DVD P/Ns VB32 C&L1 Nordics (English DK FI NO SV) (models)	64Y2451	1
Miami MUL DVD P/Ns VB32 C&L 2 Switzerland (English FR GR IT) (models)	64Y2452	1
Miami MUL DVD P/Ns VB32 C&L3 Bel Lux (English FR GR NL) (models)	64Y2453	1

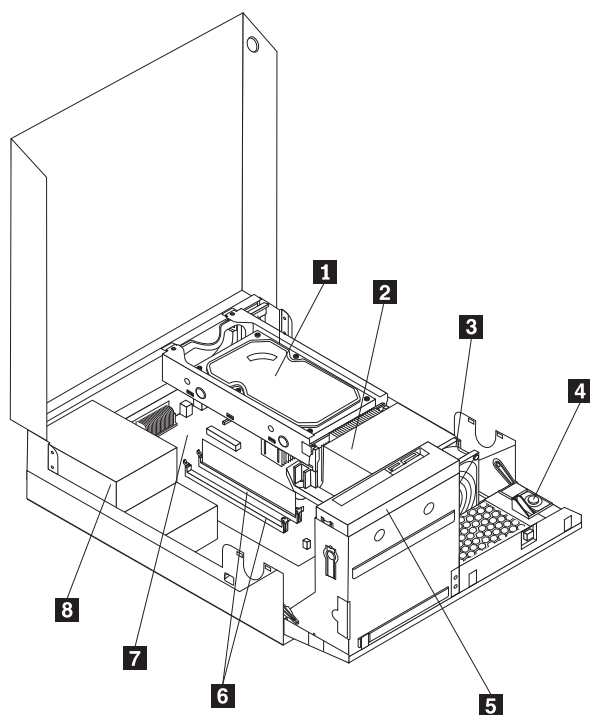
7258 Vista VHP 32 Recovery DVDs	FRU#	CRU
English (models)	64Y2541	1
French (models)	64Y2542	1
German (models)	64Y2543	1
Spanish (models)	64Y2544	1
Italian (models)	64Y2546	1
Japanese (models)	64Y2547	1
Hong Kong (models)	64Y2548	1
Korean (models)	64Y2545	1
Miami MUL DVD P/Ns VHP32 C&L1 Nordics (English DK FI NO SV) (models)	64Y2549	1
Miami MUL DVD P/Ns VHP32 C&L 2 Switzerland (English FR GR IT) (models)	64Y2550	1
Miami MUL DVD P/Ns VHP32 C&L3 Bel Lux (English FR GR NL) (models)	64Y2551	1

7258 Vista Business 64 Recovery CDs	FRU#	CRU
English (models)	64Y2561	1
French (models)	64Y2562	1
German (models)	64Y2563	1
Japanese (models)	64Y2564	1
Simplified Chinese (models)	64Y2565	1

7258 Vista Ultimate 32 Recovery CDs	FRU#	CRU
English (models)	64Y2552	1
Japanese (models)	64Y2557	1
French (models)	64Y2553	1
German (models)	64Y2554	1

7258 Vista Ultimate 32 Recovery CDs	FRU#	CRU
Spanish (models)	64Y2555	1
Italian (models)	64Y2556	1
HongKong (models)	64Y2558	1
Arabic Localized (models)	64Y2559	1
MUL DVD P/Ns VU32 C&L1 Nordics (EN DK FI NO SV) (models)	64Y2560	1

Machine Type 7259



Item #	7259 FRUs	FRU#	CRU
1	Hard disk drive, SATA 80GB 7200RPM/3Gb/8MB (models A1V)	40Y9035	1
1	Hard disk drive, SATA 250GB 7200RPM/3Gb/8MB (models)	40Y9036	1
1	Hard disk drive, SATA 320GB 7200rpm SATA/8MB (models)	87H4891	1
1	Hard disk drive, SATA 500GB 7200RPM/3Gb/s/8MB (models)	41X5582	1
1	Hard disk drive, 1TB 7200rpm SATA (models)	45C5973	1
1	Hard disk drive, 150G 10K rpm,SATA (models)	46R8893	1
2	Microprocessor, E6550 2.33GHZ/1333MHZ/4M G-0 65W (models)	43C3833	N
2	Microprocessor, E8600 3.33GHZ/1333MHZ/6M E0 65W (models)	46R8640	N
2	Microprocessor, E8500 3.16GHz 1333MHz FSB 6M C-0 65W (models)	45C7735	N
2	Microprocessor, E8400 3.0GHz 1333MHz FSB 6M C-0 65W (models A1V)	45C7736	N
2	Microprocessor, E8300 2.83GHz 1333MHz FSB 6M C-0 65W (models)	45C7737	N
2	Microprocessor, E8200 2.66GHz 1333MHz FSB 6M C-0 65W (models)	45C7738	N
2	Microprocessor, E8190 2.66GHz 1333MHz FSB 6M C-0 - NON VT/Vpro 65W (models)	45R2568	N
2	Microprocessor, E7200 2.53GHz 1066MHz FSB 3M M-0 65W (models)	45R8337	N
2	Microprocessor, E7300 2.66GHz 1066MHz FSB 3M M-0 65W (models)	46R1622	N
2	Microprocessor, E7400 2.8GHZ 1066M 3M R0 (ViiV,EIST,EM64T,EDB) 65W (models)	53Y6653	N
2	Microprocessor, E7500 2.93GHZ 1066M 3M R0 (ViiV,EIST,EM64T,EDB) 65W (models)	53Y6654	N
2	Microprocessor, E2160 Conroe-L 1.8GHz 800MHz FSB 1M (models)	43C1968	N
2	Microprocessor, E2180 Conroe-L 2.0GHz 800MHz FSB 1M (models)	45C1773	N

Item #	7259 FRUs	FRU#	CRU
2	Microprocessor, E2200 Conroe-L 2.2GHz 800MHz FSB 1M (models)	45C5349	N
2	Microprocessor, E2220 Conroe-L 2.4GHz 800MHz FSB 1M (models)	45C1774	N
2	Microprocessor, E5200 800MHz 2M M-0 65W, 45nm (models)	46R9512	N
2	Microprocessor, E5300 2.6GHz 800MHz 2MB R0 (EIST,EM64T,EDB) 65W (models)	53Y9049	N
2	Microprocessor, E1600 2.4GHZ/800MHZ/512K - NPI M-0 65W (models)	46R1655	N
2	Microprocessor, E1400 2.0GHz 800MHz FSB 512K - NPI M-0 65W (models)	45R8339	N
2	Microprocessor, E1200 1.6GHZ/800MHZ/512K M-0 65W (models)	45R8341	N
2	Microprocessor, E1500 2.2GHz 800MHz 512KB (EIST,EM64T,EDB) M0 65W (models)	53Y9051	N
2	Microprocessor, Cel-420 Conroe-L 1.6GHz 800MHz FSB 512K (models)	43C3835	N
2	Microprocessor, Cel-430 Conroe-L 1.8GHz 800MHz FSB 512K (models)	43C1964	N
2	Microprocessor, Cel-440 Conroe-L 2.0GHz 800MHz FSB 512K (models)	43C1965	N
2	Microprocessor, Cel-450 2.2GHz 800MHz FSB 512K 35W (models)	46R9514	N
2	Microprocessor, Q9650 3.0GHZ 1333FSB 12MB VT, TXT E-0 95W (models)	46R8642	N
2	Microprocessor, Q9400 2.66GHZ 1333FSB 6MB VT, TXT R-0 95W (models)	46R8644	N
2	Microprocessor, Q8200 2.33GHz 1333FSB 4M M-1 95W (models)	46R9516	N
2	Microprocessor, Q8300 Yorkfield 2.5GHZ,1333MHz,4M R-0 (ViiV,EIST,EM64T,EDB) (models)	53Y6656	N
2	Microprocessor, Q6600 2.4GHZ 1066FSB 8M G-0 Stepping Level, 95W (models)	43C1695	N
2	Microprocessor, Q6700 2.66GHZ 1066FSB 8M G-0 Stepping Level, 95W (models)	43C6309	N
2	Microprocessor, Q9550 2.83GHZ 1333FSB 12M C-1 95W (models)	45C7739	N
2	Microprocessor, Q9450 Yorkfield 2.66GHZ 1333FSB 12M C-1 95W (models)	45C7740	N
2	Microprocessor, Q9300 Yorkfield 2.50GHZ 1333FSB 6M M-1 95W (models)	45C7741	N
3	Heat Sink, 95W heatsink Kit for 607BT, with RM (models)	41R6454	2
3	Heat Sink, 65W heatsink Kit for 607BT, with RM (models)	43N9349	2
4	Speaker, internal speaker 254mm -optional (models)	39K5012	2
5	DVD-ROM Drive - 16x/48x - SATA Vista & non-Vista (models)	41N3325	1
5	DVD Recordable/CD-RW Rambo 8 - SATA Vista & non-Vista (models)	43C1042	1
6	Memory module, 512MB PC2-5300 (667MHz) DDR2 SDRAM (models)	41X4255	1
6	Memory module, 1GB PC2-5300 (667MHz) DDR2 SDRAM (models)	41X4256	1
6	Memory module, 2GB PC2-5300 (667MHz) DDR2 SDRAM (models)	41X4257	1
6	Memory module, 512MB PC2-6400 (800MHz) DDR2 SDRAM (models)	41X1079	1
6	Memory module, 1GB PC2-6400 (667MHz) DDR2 SDRAM (models A1V)	41X1080	1
6	Memory module, 2GB PC2-6400 (667MHz) DDR2 SDRAM (models)	41X1081	1
7	System board, Intel G41 BTX(GA) SFF non-AMT (models A1V)	46R8892	N
7	System board, Intel G41 BTX(GA) -NB upgrade (models A1V)	64Y9198	N
8	Power supply, 280W Active PFC power supply(Auto sensing) for 10L---Robust,WW,JP (models A1V)	41A9701	N
8	Power supply, 280W 85+ power supply for 10L---Robust,WW,JP (models A1V)	41A9742	N
8	Power supply, 280W Active PFC power supply(Auto sensing) for 10L---Robust,WW,JP (models A1V)	45J9418	N
8	Power supply, 280W 85+ power supply for 10L---Robust,WW,JP (models A1V)	45J9423	N

The FRUs listed in the following tables are not illustrated.

7259 FRUs	FRU#	CRU
Cabel, SATA 700mm (RoHS) for ODD / 2st HDD (all models)	43N9011	2
C2 Intrusion Switch 260mm (all models)	43N9080	2
Rear IO shield BTX (all models)	41R6381	2
Temp Sense Cable (165 mm) (all models)	43N9079	N
Universal Adapter Bracket 5.25 to 3.5 W/Bezel, 607BT (all models)	43N9584	2
Vertical Stand, recycle resin (all models)	43N9585	2
Air Deflector, recycle resin, milan (all models)	43N9610	1
Cable,Luxshare,LED/switch cable R(nonPCB 220mm 10L) for Milan (all models)	43N9075	2
607BT Optical Bezel Asm (all models)	43N9589	2
607BT,NO ODD, Blank Bezel, Plastic (all models)	43N9590	1
Cardreader Bezel, Milan/607BT (all models)	43N9591	1
Non-Cardreader Bezel, Milan/607BT (all models)	43N9592	1
HDD TRAY ASM (all models)	43N9595	1
FRONTCAGE ASM (all models)	43N9596	1
Chassis for Miami (all models)	43N9650	N
Cable,Front I_O cable_R(10L_U380_A550)_ESD (all models)	45J9509	N
Models with 3.5" Convert 2.5" for 150GB 10K rpm HDD (1st HDD bay) (all models)	43N9645	2
Cable-SATA 250mm (RoHS) for 1st HDD (all models)	43N9012	2
BATTERY 3V-LITHIUM (models A1V)	45C1566	1

7259 Keyboard (Lenovo Preferred Pro USB -- without hub)	FRU#	CRU Tier
US English (models)	41A5289	1
Arabic (models)	41A5290	1
Arabic/French (models)	41A5291	1
Belgian/French (models)	41A5292	1
Belgian/English (models)	41A5293	1
Brazilian Portuguese (models)	41A5294	1
Bulgarian (models)	41A5295	1
Chinese/US (models A1V)	41A5296	1
Czech (models)	41A5297	1
Danish (models)	41A5298	1
Dutch (models)	41A5299	1
French (models)	41A5300	1
French Canadian (models)	41A5301	1
French Canadian (models)	41A5302	1
German (models)	41A5303	1
Greek (models)	41A5304	1
Greek/US (models)	41A5305	1

7259 Keyboard (Lenovo Preferred Pro USB -- without hub)	FRU#	CRU Tier
Hebrew (models)	41A5306	1
Hungarian (models)	41A5307	1
Iceland (models)	41A5308	1
Italian (models)	41A5309	1
Japanese (models)	41A5310	1
Korean (models)	41A5311	1
LA Spanish (models)	41A5312	1
Norwegian (models)	41A5313	1
Polish (models)	41A5314	1
Portuguese (models)	41A5315	1
Romanian (models)	41A5316	1
Romanian (models)	41A5317	1
Russian/Cyrillic (models)	41A5318	1
Serbian/Cyrillic (models)	41A5319	1
Slovak (models)	41A5320	1
Spanish (models)	41A5321	1
Swedish/Finnish (models)	41A5322	1
Swiss (models)	41A5323	1
Thailand (models)	41A5324	1
Turkish (models)	41A5325	1
Turkish (models)	41A5326	1
UK English (models)	41A5327	1
US Euro (models)	41A5328	1
Slovenian (models)	41A5329	1
Arabic(New) (models)	45J4880	1
Lithuanian (models)	45J4896	1

7259 Keyboard (Lenovo Fingerprint Reader USB)	FRU#	CRU Tier
US English (models)	41R0038	1
Arabic (models)	41R0039	1
Arabic/French (models)	41R0040	1
Belgian/French (models)	41R0041	1
Belgian/English (models)	41R0042	1
Brazilian Portuguese (models)	41R0043	1
Bulgarian (models)	41R0044	1
Chinese/US (models)	41R0045	1
Czech (models)	41R0046	1
Danish (models)	41R0047	1
Dutch (models)	41R0048	1
French (models)	41R0049	1
French Canadian (models)	41R0050	1

7259 Keyboard (Lenovo Fingerprint Reader USB)	FRU#	CRU Tier
French Canadian (models)	41R0051	1
German (models)	41R0052	1
Greek (models)	41R0053	1
Greek/US (models)	41R0054	1
Hebrew (models)	41R0055	1
Hungarian (models)	41R0056	1
Iceland (models)	41R0057	1
Italian (models)	41R0058	1
Japanese (models)	41R0059	1
Korean (models)	41R0060	1
LA Spanish (models)	41R0061	1
Norwegian (models)	41R0062	1
Polish (models)	41R0063	1
Portuguese (models)	41R0064	1
Romanian (models)	41R0065	1
Romanian (models)	41R0066	1
Russian/Cyrillic (models)	41R0067	1
Serbian/Cyrillic (models)	41R0068	1
Slovak (models)	41R0069	1
Spanish (models)	41R0070	1
Swedish/Finnish (models)	41R0071	1
Swiss (models)	41R0072	1
Thailand (models)	41R0073	1
Turkish (models)	41R0074	1
Turkish (models)	41R0075	1
UK English (models)	41R0076	1
US Euro (models)	41R0077	1
Slovenian (models)	41R0078	1

7259 Keyboard (Lenovo Preferred Pro PS/2 Full Size)	FRU#	CRU Tier
US English (models)	41A5039	1
Arabic (models)	41A5040	1
Arabic/French (models)	41A5041	1
Belgian/French (models)	41A5042	1
Belgian/English (models)	41A5043	1
Brazilian Portuguese (models)	41A5044	1
Bulgarian (models)	41A5045	1
Chinese/US (models)	41A5046	1
Czech (models)	41A5047	1
Danish (models)	41A5048	1
Dutch (models)	41A5049	1

7259 Keyboard (Lenovo Preferred Pro PS/2 Full Size)	FRU#	CRU Tier
French (models)	41A5050	1
French Canadian (models)	41A5051	1
French Canadian (models)	41A5052	1
German (models)	41A5053	1
Greek (models)	41A5054	1
Greek/US (models)	41A5080	1
Hebrew (models)	41A5055	1
Hungarian (models)	41A5056	1
Iceland (models)	41A5057	1
Italian (models)	41A5058	1
Japanese (models)	41A5059	1
Korean (models)	41A5060	1
LA Spanish (models)	41A5061	1
Norwegian (models)	41A5062	1
Polish (models)	41A5063	1
Portuguese (models)	41A5064	1
Romanian (models)	41A5065	1
Russian/Cyrillic (models)	41A5066	1
Serbian/Cyrillic (models)	41A5067	1
Slovak (models)	41R0068	1
Spanish (models)	41R0069	1
Swedish/Finnish (models)	41A5070	1
Swiss (models)	41A5071	1
Thailand (models)	41A5072	1
Turkish (models)	41A5073	1
Turkish (models)	41A5074	1
UK English (models)	41A5075	1
US Euro (models)	41A5076	1
Slovenian (models)	41A5077	1

7259 mice	FRU#	CRU
Optical Wheel Mouse (400DPI, USB) (models A1V)	41U3013	1
Optical Wheel Mouse (400DPI, USB) (models A1V)	41U3030	1
PS/2 2 Button Ball Mouse (models)	41R0018	1

7259 Adapters and miscellaneous FRUs	FRU#	CRU
Internal USB 20 in 1 Memory Card Reader Slim SFF (models)	46R1529	1
IEEE 1394 Firewire Adapter SFF (ROCKYS) (models)	41D2781	1
Soft Modem V.90/V.44 SFF (ROCKYS) (models)	29R9729	1
Speaker Power brick - US, Canada, LA low voltage, ASEAN (models)	89P8571	1
Speaker Power brick - LA high voltage (non-APU) (models)	89P8575	1

7259 Adapters and miscellaneous FRUs	FRU#	CRU
Speaker Power brick - SIMPLIFIED -CHN, Thailand EMEA (models)	89P8581	1
Speaker Power brick - JAPANESE (models)	89P8577	1
Speaker Power brick - Brazil (models)	89P8583	1
Speaker Power brick - Argentina (models)	41A4901	1
Speaker Power brick - ANZ (models)	89P8579	1
Speaker Power brick - KOREA (models)	41A4903	1
Speaker Power brick - HONG KONG, EMEA, IRELAND (models)	89P8573	1
Speaker Power brick -TAIWAN-TC (models A1V)	41A4905	1
Speaker Power brick - INDIA, South Africa (models)	89P8585	1
2-pc external speaker--primary (models)	41A5331	1
2-pc external speaker-secondary (models)	41A5334	1
DVI-I(M)-VGA(F) cord (models)	41R3342	1
ATI HD3470 GDDR3 256MB - VGA+DP (models)	46R1521	1
ADD2 DVI-D Adapter, (HDCP) DVD-D connection Adapter Low Profile (Silicon Image) (models)	43C0258	1
DisplayPort to DVI-D Dongle (models)	43N9160	1
DisplayPort to VGA Dongle (models)	45J9524	1
Modem phone cable (models)	39K5120	1
LI140mm Rear Com2 cable II mini [®] SFF (models)	43N9062	2
Rear USB 2Ports II LP [®] 350mm (models)	43N9124	2
Nvidia G100 DDR2 256MB LP - DVI-I (With DVI-I to VGA Dongle) (models)	53Y9341	1

7259 Line Cords	FRU#	CRU
Line cord - US (models)	41R3184	1
Line cord - US (models)	41R3185	1
Line cord - China (models)	41R3256	1
Line cord - China (models)	41R3257	1
Line cord - Japanese and Japanese English (models)	41R3248	1
Line cord - Japanese and Japanese English (models)	41R3249	1
Line cord - Brazil (models)	41R3270	1
Line cord - Brazil (models)	41R3271	1
Line cord - LA High Volt APU (models)	41R3176	1
Line Cord - LA High Volt APU (models)	41R3177	1
Line cord - ANZ (models)	41R3196	1
Line cord - ANZ (models)	41R3197	1
Line Cord - Korea (models)	41R3260	1
Line Cord - Korea (models)	41R3261	1
Line Cord - UK, Ireland, Singapore, Malaysia, Brunei (models)	41R3224	1
Line Cord - UK, Ireland, Singapore, Malaysia, Brunei (models)	41R3225	1
Line Cord - Taiwan (models A1V)	41R3278	1
Line Cord - Taiwan (models A1V))	41R3279	1

7259 Line Cords	FRU#	CRU
Line Cord - Italy (models)	41R3232	1
Line Cord - Italy (models)	41R3233	1
Line Cord - Indonesia, Laos, Cambodia, and Vietnam (models)	41R3208	1
Line Cord - Indonesia, Laos, Cambodia, and Vietnam (models)	41R3209	1
Line Cord - Denmark (models)	41R3212	1
Line Cord - Denmark (models)	41R3213	1
Line Cord - Switzerland (models)	41R3228	1
Line Cord - Switzerland (models)	41R3229	1
Line Cord - Israel (models)	41R3236	1
Line Cord - Israel (models)	41R3237	1
Line Cord - South Africa (models)	41R3220	1
Line Cord - South Africa (models)	41R3221	1
Line Cord - India (models)	41R3341	1
Line Cord - India (models)	41R3175	1
Line Cord - Thailand (models)	43N9029	1
Line Cord - Thailand (models)	43N9030	1
Line Cord - Y cable for Brazil Line Cord - India (models)	43N9044	1

7259 Windows XP Pro Recovery CDs	FRU#	CRU
Dutch (models)	63Y8807	1
Hebrew (models)	63Y8810	1
Portuguese (models)	63Y8818	1
Russian English (models)	63Y8814	1
Hungarian (models)	63Y8816	1
Czech (models)	63Y8808	1
Turkish (models)	63Y8815	1
Greek (models)	63Y8817	1
Slovenian (models)	63Y8819	1
Korea (models)	63Y8823	1
US English (models)	64Y5615	1
French (models)	64Y5616	1
German (models)	64Y5617	1
Italian (models)	64Y5647	1
Brazilian Portuguese (models)	64Y5646	1
Spanish (models)	64Y5645	1
Danish (models)	64Y5736	1
Arabic (models)	64Y5739	1
Swedish (models)	64Y5735	1
Finnish (models)	64Y5737	1
Norwegian (models)	64Y5734	1
Polish (models)	64Y5738	1

7259 Windows XP Pro Recovery CDs	FRU#	CRU
Russian (models)	64Y5740	1
Japanese (models)	64Y6078	1
Simplified Chinese (models)	64Y5741	1
Traditional Chinese (models)	64Y5742	1
Hong Kong (models)	64Y5743	1

7259 Vista Home Basic 32 Recovery DVDs	FRU#	CRU
English (models)	64Y2512	1
French (models)	64Y2514	1
German (models)	64Y2515	1
Spanish (models)	64Y2516	1
Brazilian Portuguese (models)	64Y2517	1
Italian (models)	64Y2518	1
Japanese (models)	64Y2525	1
Dutch (models)	64Y2532	1
Czech (models)	64Y2519	1
Polish (models)	64Y2520	1
Russian (models)	64Y2521	1
Turkish (models)	64Y2522	1
Hungarian (models)	64Y2523	1
Greek (models)	64Y2524	1
Portuguese (models)	64Y2535	1
Simplified Chinese (models)	64Y2526	1
Hongkong (models)	64Y2528	1
Traditional Chinese (models)	64Y2527	1
Korean (models)	64Y2529	1
Slovenian (models)	64Y2530	1
Russian English (models)	64Y2513	1
Hebrew (models)	64Y2533	1
Arabic enabled (models)	64Y2531	1
Slovakian (models)	64Y2537	1
Romanian (models)	64Y2534	1
Serbian-Latin (models)	64Y2536	1
Miami MUL DVD P/Ns Vista Home Basic 32 C&L1 Nordics (English DK Fi No SV) (models)	64Y2538	1
Miami MUL DVD P/Ns Vista Home Basic 32 C&L 2 Switzerland (English FR GR IT) (models)	64Y2539	1
Miami MUL DVD P/Ns Vista Home Basic 32 C&L3 Bel Lux (English FR GR NL) (models)	64Y2540	1

7259 Vista Business 32 Recovery DVDs	FRU#	CRU
English (models)	64Y2425	1

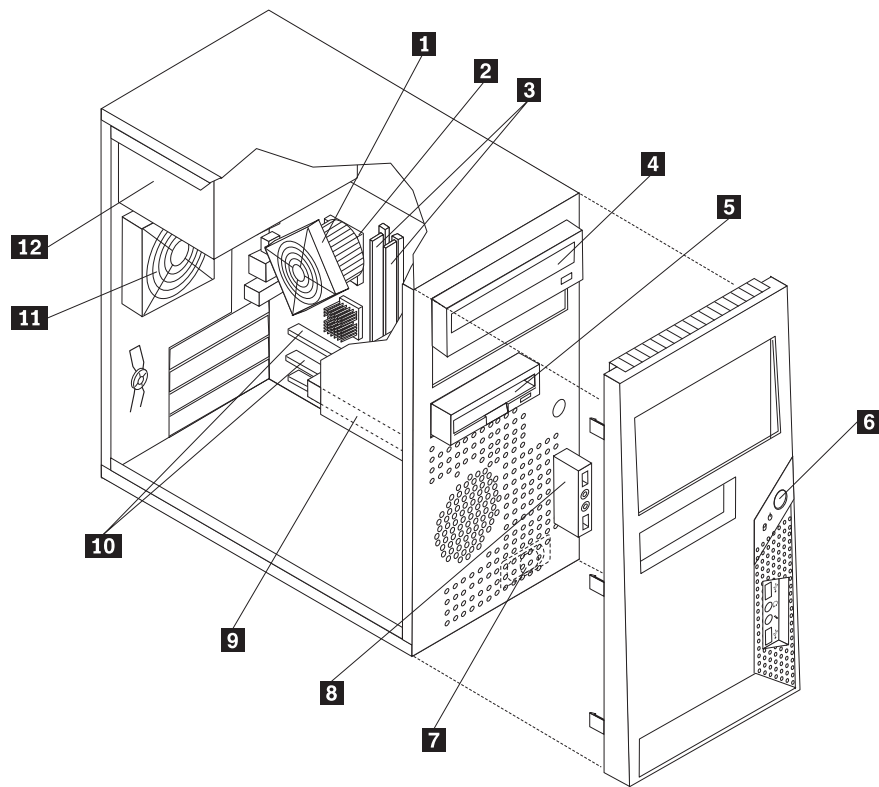
7259 Vista Business 32 Recovery DVDs	FRU#	CRU
French (models)	64Y2427	1
German (models)	64Y2428	1
Spanish (models)	64Y2429	1
Brazilian (models)	64Y2430	1
Italian (models)	64Y2432	1
Japanese (models)	64Y2438	1
Dutch (models)	64Y2445	1
Czech (models)	64Y2432	1
Polish (models)	64Y2433	1
Russian (models)	64Y2434	1
Turkish (models)	64Y2435	1
Hungarian (models)	64Y2436	1
Greek (models)	64Y2437	1
Portuguese (models)	64Y2448	1
Simplified Chinese (models)	64Y2439	1
Trad Chinese (models A1V)	64Y2440	1
HongKong (models)	64Y2441	1
Korean (models)	64Y2442	1
Slovenian (models)	64Y2443	1
Russian English (models)	64Y2426	1
Romanian (models)	64Y2447	1
Serbian-Latin (models)	64Y2449	1
Slovakian (models)	64Y2450	1
Arabic enabled (models)	64Y2444	1
Hebrew (models)	64Y2446	1
Miami MUL DVD P/Ns VB32 C&L1 Nordics (English DK FI NO SV) (models)	64Y2451	1
Miami MUL DVD P/Ns VB32 C&L 2 Switzerland (English FR GR IT) (models)	64Y2452	1
Miami MUL DVD P/Ns VB32 C&L3 Bel Lux (English FR GR NL) (models)	64Y2453	1

7259 Vista VHP 32 Recovery DVDs	FRU#	CRU
English (models)	64Y2541	1
French (models)	64Y2542	1
German (models)	64Y2543	1
Spanish (models)	64Y2544	1
Italian (models)	64Y2546	1
Japanese (models)	64Y2547	1
Hong Kong (models)	64Y2548	1
Korean (models)	64Y2545	1
Miami MUL DVD P/Ns VHP32 C&L1 Nordics (English DK FI NO SV) (models)	64Y2549	1
Miami MUL DVD P/Ns VHP32 C&L 2 Switzerland (English FR GR IT) (models)	64Y2550	1
Miami MUL DVD P/Ns VHP32 C&L3 Bel Lux (English FR GR NL) (models)	64Y2551	1

7259 Vista Business 64 Recovery CDs	FRU#	CRU
English (models)	64Y2561	1
French (models)	64Y2562	1
German (models)	64Y2563	1
Japanese (models)	64Y2564	1
Simplified Chinese (models)	64Y2565	1

7259 Vista Ultimate 32 Recovery CDs	FRU#	CRU
English (models)	64Y2552	1
Japanese (models)	64Y2557	1
French (models)	64Y2553	1
German (models)	64Y2554	1
Spanish (models)	64Y2555	1
Italian (models)	64Y2556	1
HongKong (models)	64Y2558	1
Arabic Localized (models)	64Y2559	1
MUL DVD P/Ns VU32 C&L1 Nordics (EN DK FI NO SV) (models)	64Y2560	1

Machine Type 7260



Item #	7260 FRUs	FRU#	CRU
1	Heat Sink, Intel 95W/65W Heatsink (all models)	43N9409	2
2	Microprocessor, E6550 2.33GHZ/1333MHZ/4M G-0 65W (models)	43C3833	N
2	Microprocessor, E8600 3.33GHZ/1333MHZ/6M E0 65W (models)	46R8640	N
2	Microprocessor, E8500 3.16GHz 1333MHz FSB 6M C-0 65W (models)	45C7735	N
2	Microprocessor, E8400 3.0GHz 1333MHz FSB 6M C-0 65W (models A1V)	45C7736	N
2	Microprocessor, E8300 2.83GHz 1333MHz FSB 6M C-0 65W (models)	45C7737	N
2	Microprocessor, E8200 2.66GHz 1333MHz FSB 6M C-0 65W (models)	45C7738	N
2	Microprocessor, E8190 2.66GHz 1333MHz FSB 6M C-0 - NON VT/Vpro 65W (models)	45R2568	N
2	Microprocessor, E7200 2.53GHz 1066MHz FSB 3M M-0 65W (models)	45R8337	N
2	Microprocessor, E7300 2.66GHz 1066MHz FSB 3M M-0 65W (models)	46R1622	N
2	Microprocessor, E7400 2.8GHZ 1066M 3M R0 (ViiV,EIST,EM64T,EDB) 65W (models)	53Y6653	N
2	Microprocessor, E7500 2.93GHZ 1066M 3M R0 (ViiV,EIST,EM64T,EDB) 65W (models)	53Y6654	N
2	Microprocessor, E2160 Conroe-L 1.8GHz 800MHz FSB 1M (models)	43C1968	N
2	Microprocessor, E2180 Conroe-L 2.0GHz 800MHz FSB 1M (models)	45C1773	N
2	Microprocessor, E2200 Conroe-L 2.2GHz 800MHz FSB 1M (models)	45C5349	N
2	Microprocessor, E2220 Conroe-L 2.4GHz 800MHz FSB 1M (models)	45C1774	N
2	Microprocessor, E5200 800MHz 2M M-0 65W, 45nm (models)	46R9512	N

Item #	7260 FRUs	FRU#	CRU
2	Microprocessor, E5300 2.6GHz 800MHz 2MB R0 (EIST,EM64T,EDB) 65W (models)	53Y9049	N
2	Microprocessor, E1600 2.4GHZ/800MHZ/512K - NPI M-0 65W (models)	46R1655	N
2	Microprocessor, E1400 2.0GHz 800MHz FSB 512K - NPI M-0 65W (models)	45R8339	N
2	Microprocessor, E1200 1.6GHZ/800MHZ/512K M-0 65W (models)	45R8341	N
2	Microprocessor, E1500 2.2GHz 800MHz 512KB (EIST,EM64T,EDB) M0 65W (models)	53Y9051	N
2	Microprocessor, Cel-420 Conroe-L 1.6GHz 800MHz FSB 512K (models)	43C3835	N
2	Microprocessor, Cel-430 Conroe-L 1.8GHz 800MHz FSB 512K (models)	43C1964	N
2	Microprocessor, Cel-440 Conroe-L 2.0GHz 800MHz FSB 512K (models)	43C1965	N
2	Microprocessor, Cel-450 2.2GHz 800MHz FSB 512K 35W (models)	46R9514	N
2	Microprocessor, Q9650 3.0GHZ 1333FSB 12MB VT, TXT E-0 95W (models)	46R8642	N
2	Microprocessor, Q9400 2.66GHZ 1333FSB 6MB VT, TXT R-0 95W (models)	46R8644	N
2	Microprocessor, Q8200 2.33GHz 1333FSB 4M M-1 95W (models)	46R9516	N
2	Microprocessor, Q8300 Yorkfield 2.5GHZ,1333MHz,4M R-0 (ViiV,EIST,EM64T,EDB) (models)	53Y6656	N
2	Microprocessor, Q6600 2.4GHZ 1066FSB 8M G-0 Stepping Level, 95W (models)	43C1695	N
2	Microprocessor, Q6700 2.66GHZ 1066FSB 8M G-0 Stepping Level, 95W (models)	43C6309	N
2	Microprocessor, Q9550 2.83GHZ 1333FSB 12M C-1 95W (models)	45C7739	N
2	Microprocessor, Q9450 Yorkfield 2.66GHZ 1333FSB 12M C-1 95W (models)	45C7740	N
2	Microprocessor, Q9300 Yorkfield 2.50GHZ 1333FSB 6M M-1 95W (models)	45C7741	N
3	Memory module, 512MB PC2-5300 (667MHz) DDR2 SDRAM (models)	41X4255	1
3	Memory module, 1GB PC2-5300 (667MHz) DDR2 SDRAM (models)	41X4256	1
3	Memory module, 2GB PC2-5300 (667MHz) DDR2 SDRAM (models)	41X4257	1
3	Memory module, 512MB PC2-6400 (800MHz) DDR2 SDRAM (models)	41X1079	1
3	Memory module, 1GB PC2-6400 (667MHz) DDR2 SDRAM (models A1V)	41X1080	1
3	Memory module, 2GB PC2-6400 (667MHz) DDR2 SDRAM (models)	41X1081	1
4	Optical drive, DVD-ROM Drive - 16x/48x - SATA Vista & non-Vista (models A1V)	41N3325	1
4	Optical drive, DVD Recordable/CD-RW Rambo 8 - SATA Vista & non-Vista (models)	43C1042	1
4	Optical drive, Blu-ray Recorder / DVD Super Multi (models)	53Y7643	1
5	Floppy Diskette Driver - 3.5" 1.44MB 2 Mode FDD with Bezel and cable Tower (models)	40Y9107	1
5	Floppy Diskette Driver - 3.5" 1.44MB 2 Mode FDD with Bezel and cable Tower (models)	40Y9105	1
6	Power switch / LED assembly (all models)	43N9074	1
7	Speaker, Internal speaker 400mm --optional (all models)	43N9091	1
8	Front audio / USB assembly (all models)	43N9076	1
9	Hard disk drive, SATA 80GB 7200RPM/3Gb/8MB (models A1V)	40Y9035	1
9	Hard disk drive, SATA 250GB 7200RPM/3Gb/8MB (models)	40Y9036	1
9	Hard disk drive, SATA 320GB 7200rpm SATA/8MB (models)	87H4891	1
9	Hard disk drive, SATA 500GB 7200RPM/3Gb/s/8MB (models)	41X5582	1
9	Hard disk drive, 1TB 7200rpm SATA (models)	45C5973	1

Item #	7260 FRUs	FRU#	CRU
9	Hard disk drive, 150G 10K rpm,SATA (models)	46R8893	1
10	System board, Intel G41 MATX(GA) Tower non-AMT (models A1V)	46R8891	N
10	System board, Intel G41 MATX(GA) -NB upgrade (models A1V)	64Y9197	N
11	Rear system fan (all models)	41R6269	2
12	Power supply, 280W Active PFC power supply(Auto sensing) for 10L---Robust,WW,JP (models A1V)	41A9721	2
12	Power supply, 280W 85+ power supply for 10L---Robust,WW,JP (models A1V)	41A9684	2
12	Power supply, ATX 280W 80% power supply;Robust,WW,JP (models A1V)	41A9665	2
12	Power supply, ATX 320W 88% Power supply; WW, Robust,JP (models A1V)	45J9410	2
12	Power supply, 280W Watt ATX Power supply (85plus)-WW, Robust,JP (models A1V)	45J9431	2

The FRUs listed in the following tables are not illustrated.

7260 FRUs	FRU#	CRU
Shield, 5.25 EMC FOR 1st ODD Bay (all models)	41N8080	1
Cable -SATA 457mm (RoHS) for ODD (all models)	43N9013	2
Intrusion Switch Asm Tamdhu 475mm --Optional (all models)	39K5022	2
2st HDD SATA cable, 120mm, 1 latching for Device, RoHS (all models)	41R3328	2
Cable-SATA 250mm (RoHS) for 1st HDD (all models)	43N9012	2
Secondl HDD Bracket Asm for TamdhuIII (all models)	41R6106	1
Temp Sense Cable (6pin 460 mm) (all models)	45J9495	2
Front FAN 2X500G HDD or 500GB+1TB Only (all models)	41R4791	2
FDD Cable-TamdhuIII (all models)	41A7182	2
FDD Cable, 310mm (all modles)	41A7147	2
Card Reader Retainer-TamdhuII (all models)	41R2913	1
No OptiCal Bezel Kit - Tamdhu II (all models)	41N8077	1
Cover (all models)	41N8050	1
I/O Shield - Ace (all models)	41N8053	2
Intrusion Switch asm (all models)	41R6116	2
4 Pin System Fan For Tamdhu2, Apollo (all models)	41R6269	2
HDD TRAY, TAMDHU (all models)	41R6291	1
Asm Chassis Without IBM Mark, Recycle (all models)	43N9415	N
ODD/FDD/Cardreader Retainers, Tamdhu (all models)	43N9351	2
Blank 5.25" Bezel, Recycle (all models)	43N9413	2
ASM BEZEL, WITHOUT IBM MARK, Recycle (all models)	43N9412	1
Cable Clip, FW-6D (all models)	43N9462	2
BATTERY 3V-LITHIUM (models A1V)	45C1566	1
3.5" Convert 2.5" for 150GB 10K rpm HDD (1st HDD bay) (models)	43N9593	2

7260 Keyboard (Lenovo Preferred Pro USB -- without hub)	FRU#	CRU Tier
US English (models)	41A5289	1

7260 Keyboard (Lenovo Preferred Pro USB -- without hub)	FRU#	CRU Tier
Arabic (models)	41A5290	1
Arabic/French (models)	41A5291	1
Belgian/French (models)	41A5292	1
Belgian/English (models)	41A5293	1
Brazilian Portuguese (models)	41A5294	1
Bulgarian (models)	41A5295	1
Chinese/US (models A1V)	41A5296	1
Czech (models)	41A5297	1
Danish (models)	41A5298	1
Dutch (models)	41A5299	1
French (models)	41A5300	1
French Canadian (models)	41A5301	1
French Canadian (models)	41A5302	1
German (models)	41A5303	1
Greek (models)	41A5304	1
Greek/US (models)	41A5305	1
Hebrew (models)	41A5306	1
Hungarian (models)	41A5307	1
Iceland (models)	41A5308	1
Italian (models)	41A5309	1
Japanese (models)	41A5310	1
Korean (models)	41A5311	1
LA Spanish (models)	41A5312	1
Norwegian (models)	41A5313	1
Polish (models)	41A5314	1
Portuguese (models)	41A5315	1
Romanian (models)	41A5316	1
Romanian (models)	41A5317	1
Russian/Cyrillic (models)	41A5318	1
Serbian/Cyrillic (models)	41A5319	1
Slovak (models)	41A5320	1
Spanish (models)	41A5321	1
Swedish/Finnish (models)	41A5322	1
Swiss (models)	41A5323	1
Thailand (models)	41A5324	1
Turkish (models)	41A5325	1
Turkish (models)	41A5326	1
UK English (models)	41A5327	1
US Euro (models)	41A5328	1
Slovenian (models)	41A5329	1
Arabic(New) (models)	45J4880	1

7260 Keyboard (Lenovo Preferred Pro USB -- without hub)	FRU#	CRU Tier
Lithuanian (models)	45J4896	1

7260 Keyboard (Lenovo Fingerprint Reader USB)	FRU#	CRU Tier
US English (models)	41R0038	1
Arabic (models)	41R0039	1
Arabic/French (models)	41R0040	1
Belgian/French (models)	41R0041	1
Belgian/English (models)	41R0042	1
Brazilian Portuguese (models)	41R0043	1
Bulgarian (models)	41R0044	1
Chinese/US (models)	41R0045	1
Czech (models)	41R0046	1
Danish (models)	41R0047	1
Dutch (models)	41R0048	1
French (models)	41R0049	1
French Canadian (models)	41R0050	1
French Canadian (models)	41R0051	1
German (models)	41R0052	1
Greek (models)	41R0053	1
Greek/US (models)	41R0054	1
Hebrew (models)	41R0055	1
Hungarian (models)	41R0056	1
Iceland (models)	41R0057	1
Italian (models)	41R0058	1
Japanese (models)	41R0059	1
Korean (models)	41R0060	1
LA Spanish (models)	41R0061	1
Norwegian (models)	41R0062	1
Polish (models)	41R0063	1
Portuguese (models)	41R0064	1
Romanian (models)	41R0065	1
Romanian (models)	41R0066	1
Russian/Cyrillic (models)	41R0067	1
Serbian/Cyrillic (models)	41R0068	1
Slovak (models)	41R0069	1
Spanish (models)	41R0070	1
Swedish/Finnish (models)	41R0071	1
Swiss (models)	41R0072	1
Thailand (models)	41R0073	1
Turkish (models)	41R0074	1
Turkish (models)	41R0075	1

7260 Keyboard (Lenovo Fingerprint Reader USB)	FRU#	CRU Tier
UK English (models)	41R0076	1
US Euro (models)	41R0077	1
Slovenian (models)	41R0078	1

7260 Keyboard (Lenovo Preferred Pro PS/2 Full Size)	FRU#	CRU Tier
US English (models)	41A5039	1
Arabic (models)	41A5040	1
Arabic/French (models)	41A5041	1
Belgian/French (models)	41A5042	1
Belgian/English (models)	41A5043	1
Brazilian Portuguese (models)	41A5044	1
Bulgarian (models)	41A5045	1
Chinese/US (models)	41A5046	1
Czech (models)	41A5047	1
Danish (models)	41A5048	1
Dutch (models)	41A5049	1
French (models)	41A5050	1
French Canadian (models)	41A5051	1
French Canadian (models)	41A5052	1
German (models)	41A5053	1
Greek (models)	41A5054	1
Greek/US (models)	41A5080	1
Hebrew (models)	41A5055	1
Hungarian (models)	41A5056	1
Iceland (models)	41A5057	1
Italian (models)	41A5058	1
Japanese (models)	41A5059	1
Korean (models)	41A5060	1
LA Spanish (models)	41A5061	1
Norwegian (models)	41A5062	1
Polish (models)	41A5063	1
Portuguese (models)	41A5064	1
Romanian (models)	41A5065	1
Russian/Cyrillic (models)	41A5066	1
Serbian/Cyrillic (models)	41A5067	1
Slovak (models)	41R0068	1
Spanish (models)	41R0069	1
Swedish/Finnish (models)	41A5070	1
Swiss (models)	41A5071	1
Thailand (models)	41A5072	1
Turkish (models)	41A5073	1

7260 Keyboard (Lenovo Preferred Pro PS/2 Full Size)	FRU#	CRU Tier
Turkish (models)	41A5074	1
UK English (models)	41A5075	1
US Euro (models)	41A5076	1
Slovenian (models)	41A5077	1

7260 mice	FRU#	CRU
Optical Wheel Mouse (400DPI, USB) (models A1V)	41U3013	1
Optical Wheel Mouse (400DPI, USB) (models A1V)	41U3030	1
PS/2 2 Button Ball Mouse (models)	41R0018	1

7260 Adapters and miscellaneous FRUs	FRU#	CRU
Internal 20 in 1 USB Memory Card Reader(Tower) (models)	45R8139	1
IEEE 1394 Firewire Adapter SFF (ROCKYS) (models)	41D2781	1
Dash Marvell Ethernet card ATX Tower (models)	53Y4008	1
Soft Modem V.90/V.44 SFF (ROCKYS) (models)	29R9729	1
Speaker Power brick - US, Canada, LA low voltage, ASEAN (models)	89P8571	1
Speaker Power brick - LA high voltage (non-APU) (models)	89P8575	1
Speaker Power brick - SIMPLIFIED -CHN, Thailand EMEA (models)	89P8581	1
Speaker Power brick - JAPANESE (models)	89P8577	1
Speaker Power brick - Brazil (models)	89P8583	1
Speaker Power brick - Argentina (models)	41A4901	1
Speaker Power brick - ANZ (models)	89P8579	1
Speaker Power brick - KOREA (models)	41A4903	1
Speaker Power brick - HONG KONG, EMEA,IRELAND (models)	89P8573	1
Speaker Power brick -TAIWAN-TC (models A1V)	41A4905	1
Speaker Power brick - INDIA, South Africa (models)	89P8585	1
2-pc external speaker--primary (models)	41A5331	1
2-pc external speaker-secondary (models)	41A5334	1
DVI-I(M)-VGA(F) cord (models)	41R3342	1
Geforce9500GT GDDR3 512MB - tower DVI+HDMI+DP (Tower) (models)	46R1524	1
ATI HD3470 GDDR3 256MB - VGA+DP (models)	46R1521	1
ADD2 DVI-D Adapter, (HDCP) DVD-D connection Adapter Low Profile(Silicon Image) (models)	43C0258	1
DisplayPort to DVI-D Dongle (models)	43N9160	1
DisplayPort to VGA Dongle (models)	45J9524	1
Modem phone cable (models)	39K5120	1
LI300mm Rear USB 2Ports II HP®(Tower) (models)	42Y8005	2
LI350mm Rear Com2 cable II mini® (Tower) (models)	41R8548	2
Nvidia G100 DDR2 256MB ATX - DVI-I+VGA (models)	53Y9249	1

7260 Line Cords	FRU#	CRU
Line cord - US (models)	41R3184	1
Line cord - US (models)	41R3185	1
Line cord - China (models)	41R3256	1
Line cord - China (models)	41R3257	1
Line cord - Japanese and Japanese English (models)	41R3248	1
Line cord - Japanese and Japanese English (models)	41R3249	1
Line cord - Brazil (models)	41R3270	1
Line cord - Brazil (models)	41R3271	1
Line cord - LA High Volt APU (models)	41R3176	1
Line Cord - LA High Volt APU (models)	41R3177	1
Line cord - ANZ (models)	41R3196	1
Line cord - ANZ (models)	41R3197	1
Line Cord - Korea (models)	41R3260	1
Line Cord - Korea (models)	41R3261	1
Line Cord - UK, Ireland, Singapore, Malaysia, Brunei (models)	41R3224	1
Line Cord - UK, Ireland, Singapore, Malaysia, Brunei (models)	41R3225	1
Line Cord - Taiwan (models A1V)	41R3278	1
Line Cord - Taiwan (models A1V)	41R3279	1
Line Cord - Italy (models)	41R3232	1
Line Cord - Italy (models)	41R3233	1
Line Cord - Indonesia, Laos, Cambodia, and Vietnam (models)	41R3208	1
Line Cord - Indonesia, Laos, Cambodia, and Vietnam (models)	41R3209	1
Line Cord - Denmark (models)	41R3212	1
Line Cord - Denmark (models)	41R3213	1
Line Cord - Switzerland (models)	41R3228	1
Line Cord - Switzerland (models)	41R3229	1
Line Cord - Israel (models)	41R3236	1
Line Cord - Israel (models)	41R3237	1
Line Cord - South Africa (models)	41R3220	1
Line Cord - South Africa (models)	41R3221	1
Line Cord - India (models)	41R3341	1
Line Cord - India (models)	41R3175	1
Line Cord - Thailand (models)	43N9029	1
Line Cord - Thailand (models)	43N9030	1
Line Cord - Y cable for Brazil (models)	43N9044	1

7260 Windows XP Pro Recovery CDs	FRU#	CRU
English (models)	63Y8797	1
French (models)	63Y8798	1
German (models)	63Y8799	1
Italian (models)	63Y8802	1

7260 Windows XP Pro Recovery CDs	FRU#	CRU
Brazilian Portuguese (models)	63Y8801	1
Spanish (models)	63Y8800	1
Danish (models)	63Y8806	1
Dutch (models)	63Y8807	1
Arabic (models)	63Y8812	1
Swedish (models)	63Y8805	1
Hebrew (models)	63Y8810	1
Finnish (models)	63Y8809	1
Norwegian (models)	63Y8804	1
Polish (models)	63Y8811	1
Portuguese (models)	63Y8818	1
Russian (models)	63Y8813	1
Russian English (models)	63Y8814	1
Hungarian (models)	63Y8816	1
Czech (models)	63Y8808	1
Turkish (models)	63Y8815	1
Greek (models)	63Y8817	1
Slovenian (models)	63Y8819	1
Japanese (models)	63Y8803	1
Simplified Chinese (models)	63Y8820	1
Traditional Chinese (models)	63Y8821	1
Hong Kong (models)	63Y8822	1
Korea (models)	63Y8823	1

7260 Vista Home Basic 32 Recovery DVDs	FRU#	CRU
English (models)	64Y2512	1
French (models)	64Y2514	1
German (models)	64Y2515	1
Spanish (models)	64Y2516	1
Brazilian Portuguese (models)	64Y2517	1
Italian (models)	64Y2518	1
Japanese (models)	64Y2525	1
Dutch (models)	64Y2532	1
Czech (models)	64Y2519	1
Polish (models)	64Y2520	1
Russian (models)	64Y2521	1
Turkish (models)	64Y2522	1
Hungarian (models)	64Y2523	1
Greek (models)	64Y2524	1
Portuguese (models)	64Y2535	1
Simplified Chinese (models)	64Y2526	1

7260 Vista Home Basic 32 Recovery DVDs	FRU#	CRU
Hong Kong (models)	64Y2528	1
Traditional Chinese (models)	64Y2527	1
Korean (models)	64Y2529	1
Slovenian (models)	64Y2530	1
Russian English (models)	64Y2513	1
Hebrew (models)	64Y2533	1
Arabic enabled (models)	64Y2531	1
Slovakian (models)	64Y2537	1
Romanian (models)	64Y2534	1
Serbian-Latin (models)	64Y2536	1
Miami MUL DVD P/Ns Vista Home Basic 32 C&L 1 Nordics (English DK Fi No SV) (models)	64Y2538	1
Miami MUL DVD P/Ns Vista Home Basic 32 C&L 2 Switzerland (English FR GR IT) (models)	64Y2539	1
Miami MUL DVD P/Ns Vista Home Basic 32 C&L 3 Bel Lux (English FR GR NL) (models)	64Y2540	1

7260 Vista Business 32 Recovery DVDs	FRU#	CRU
English (models)	64Y2425	1
French (models)	64Y2427	1
German (models)	64Y2428	1
Spanish (models)	64Y2429	1
Brazilian (models)	64Y2430	1
Italian (models)	64Y2432	1
Japanese (models)	64Y2438	1
Dutch (models)	64Y2445	1
Czech (models)	64Y2432	1
Polish (models)	64Y2433	1
Russian (models)	64Y2434	1
Turkish (models)	64Y2435	1
Hungarian (models)	64Y2436	1
Greek (models)	64Y2437	1
Portuguese (models)	64Y2448	1
Simplified Chinese (models)	64Y2439	1
Traditional Chinese (models A1V)	64Y2440	1
Hong Kong (models)	64Y2441	1
Korean (models)	64Y2442	1
Slovenian (models)	64Y2443	1
Russian English (models)	64Y2426	1
Romanian (models)	64Y2447	1
Sebian-Latin (models)	64Y2449	1
Slovakian (models)	64Y2450	1

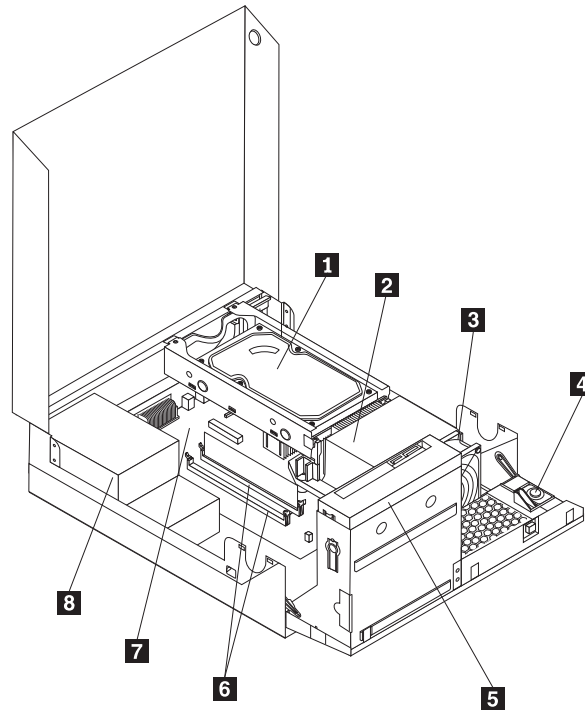
7260 Vista Business 32 Recovery DVDs	FRU#	CRU
Arabic enabled (models)	64Y2444	1
Hebrew (models)	64Y2446	1
Miami MUL DVD P/Ns VB32 C&L1 Nordics (English DK FI NO SV) (models)	64Y2451	1
Miami MUL DVD P/Ns VB32 C&L 2 Switzerland (English FR GR IT) (models)	64Y2452	1
Miami MUL DVD P/Ns VB32 C&L3 Bel Lux (English FR GR NL) (models)	64Y2453	1

7260 Vista VHP 32 Recovery DVDs	FRU#	CRU
English (models)	64Y2541	1
French (models)	64Y2542	1
German (models)	64Y2543	1
Spanish (models)	64Y2544	1
Italian (models)	64Y2546	1
Japanese (models)	64Y2547	1
Hong Kong (models)	64Y2548	1
Korean (models)	64Y2545	1
Miami MUL DVD P/Ns VHP32 C&L1 Nordics (English DK FI NO SV) (models)	64Y2549	1
Miami MUL DVD P/Ns VHP32 C&L 2 Switzerland (English FR GR IT) (models)	64Y2550	1
Miami MUL DVD P/Ns VHP32 C&L3 Bel Lux (English FR GR NL) (models)	64Y2551	1

7260 Vista Business 64 Recovery CDs	FRU#	CRU
English (models)	64Y2561	1
French (models)	64Y2562	1
German (models)	64Y2563	1
Japanese (models)	64Y2564	1
Simplified Chinese (models)	64Y2565	1

7260 Vista Ultimate 32 Recovery CDs	FRU#	CRU
English (models)	64Y2552	1
Japanese (models)	64Y2557	1
French (models)	64Y2553	1
German (models)	64Y2554	1
Spanish (models)	64Y2555	1
Italian (models)	64Y2556	1
HongKong (models)	64Y2558	1
Arabic Localized (models)	64Y2559	1
MUL DVD P/Ns VU32 C&L1 Nordics (EN DK FI NO SV) (models)	64Y2560	1

Machine Type 7267



Item #	7267 FRUs	FRU#	CRU
1	Hard disk drive, SATA 80GB 7200RPM/3Gb/8MB (models A1V)	40Y9035	1
1	Hard disk drive, SATA 250GB 7200RPM/3Gb/8MB (models)	40Y9036	1
1	Hard disk drive, SATA 320GB 7200rpm SATA/8MB (models)	87H4891	1
1	Hard disk drive, SATA 500GB 7200RPM/3Gb/s/8MB (models)	41X5582	1
1	Hard disk drive, 1TB 7200rpm SATA (models)	45C5973	1
1	Hard disk drive, 150G 10K rpm,SATA (models)	46R8893	1
2	Microprocessor, E6550 2.33GHZ/1333MHZ/4M G-0 65W (models)	43C3833	N
2	Microprocessor, E8600 3.33GHZ/1333MHZ/6M E0 65W (models)	46R8640	N
2	Microprocessor, E8500 3.16GHz 1333MHz FSB 6M C-0 65W (models)	45C7735	N
2	Microprocessor, E8400 3.0GHz 1333MHz FSB 6M C-0 65W (models A1V)	45C7736	N
2	Microprocessor, E8300 2.83GHz 1333MHz FSB 6M C-0 65W (models)	45C7737	N
2	Microprocessor, E8200 2.66GHz 1333MHz FSB 6M C-0 65W (models)	45C7738	N
2	Microprocessor, E8190 2.66GHz 1333MHz FSB 6M C-0 - NON VT/Vpro 65W (models)	45R2568	N
2	Microprocessor, E7200 2.53GHz 1066MHz FSB 3M M-0 65W (models)	45R8337	N
2	Microprocessor, E7300 2.66GHz 1066MHz FSB 3M M-0 65W (models)	46R1622	N
2	Microprocessor, E7400 2.8GHZ 1066M 3M R0 (ViiV,EIST,EM64T,EDB) 65W (models)	53Y6653	N
2	Microprocessor, E7500 2.93GHZ 1066M 3M R0 (ViiV,EIST,EM64T,EDB) 65W (models)	53Y6654	N
2	Microprocessor, E2160 Conroe-L 1.8GHz 800MHz FSB 1M (models)	43C1968	N
2	Microprocessor, E2180 Conroe-L 2.0GHz 800MHz FSB 1M (models)	45C1773	N

Item #	7267 FRUs	FRU#	CRU
2	Microprocessor, E2200 Conroe-L 2.2GHz 800MHz FSB 1M (models)	45C5349	N
2	Microprocessor, E2220 Conroe-L 2.4GHz 800MHz FSB 1M (models)	45C1774	N
2	Microprocessor, E5200 800MHz 2M M-0 65W, 45nm (models)	46R9512	N
2	Microprocessor, E5300 2.6GHz 800MHz 2MB R0 (EIST,EM64T,EDB) 65W (models)	53Y9049	N
2	Microprocessor, E1600 2.4GHZ/800MHZ/512K - NPI M-0 65W (models)	46R1655	N
2	Microprocessor, E1400 2.0GHz 800MHz FSB 512K - NPI M-0 65W (models)	45R8339	N
2	Microprocessor, E1200 1.6GHZ/800MHZ/512K M-0 65W (models)	45R8341	N
2	Microprocessor, E1500 2.2GHz 800MHz 512KB (EIST,EM64T,EDB) M0 65W (models)	53Y9051	N
2	Microprocessor, Cel-420 Conroe-L 1.6GHz 800MHz FSB 512K (models)	43C3835	N
2	Microprocessor, Cel-430 Conroe-L 1.8GHz 800MHz FSB 512K (models)	43C1964	N
2	Microprocessor, Cel-440 Conroe-L 2.0GHz 800MHz FSB 512K (models)	43C1965	N
2	Microprocessor, Cel-450 2.2GHz 800MHz FSB 512K 35W (models)	46R9514	N
2	Microprocessor, Q9650 3.0GHZ 1333FSB 12MB VT, TXT E-0 95W (models)	46R8642	N
2	Microprocessor, Q9400 2.66GHZ 1333FSB 6MB VT, TXT R-0 95W (models)	46R8644	N
2	Microprocessor, Q8200 2.33GHz 1333FSB 4M M-1 95W (models)	46R9516	N
2	Microprocessor, Q8300 Yorkfield 2.5GHZ,1333MHz,4M R-0 (ViiV,EIST,EM64T,EDB) (models)	53Y6656	N
2	Microprocessor, Q6600 2.4GHZ 1066FSB 8M G-0 Stepping Level, 95W (models)	43C1695	N
2	Microprocessor, Q6700 2.66GHZ 1066FSB 8M G-0 Stepping Level, 95W (models)	43C6309	N
2	Microprocessor, Q9550 2.83GHZ 1333FSB 12M C-1 95W (models)	45C7739	N
2	Microprocessor, Q9450 Yorkfield 2.66GHZ 1333FSB 12M C-1 95W (models)	45C7740	N
2	Microprocessor, Q9300 Yorkfield 2.50GHZ 1333FSB 6M M-1 95W (models)	45C7741	N
3	Heat Sink, 95W heatsink Kit for 607BT, with RM (models)	41R6454	2
3	Heat Sink, 65W heatsink Kit for 607BT, with RM (models)	43N9349	2
4	Speaker, internal speaker 254mm -optional (models)	39K5012	2
5	DVD-ROM Drive - 16x/48x - SATA Vista & non-Vista (models A1V)	41N3325	1
5	DVD Recordable/CD-RW Rambo 8 - SATA Vista & non-Vista (models)	43C1042	1
6	Memory module, 512MB PC2-5300 (667MHz) DDR2 SDRAM (models)	41X4255	1
6	Memory module, 1GB PC2-5300 (667MHz) DDR2 SDRAM (models)	41X4256	1
6	Memory module, 2GB PC2-5300 (667MHz) DDR2 SDRAM (models)	41X4257	1
6	Memory module, 512MB PC2-6400 (800MHz) DDR2 SDRAM (models)	41X1079	1
6	Memory module, 1GB PC2-6400 (667MHz) DDR2 SDRAM (models A1V)	41X1080	1
6	Memory module, 2GB PC2-6400 (667MHz) DDR2 SDRAM (models)	41X1081	1
7	System board, Intel G41 BTX(GA) SFF non-AMT (models A1V)	46R8892	N
7	System board, Intel G41 BTX(GA) -NB upgrade (models A1V)	64Y9198	N
8	Power supply, 280W Active PFC power supply(Auto sensing) for 10L---Robust,WW,JP (models A1V)	41A9701	N
8	Power supply, 280W 85+ power supply for 10L---Robust,WW,JP (models A1V)	41A9742	N
8	Power supply, 280W Active PFC power supply(Auto sensing) for 10L---Robust,WW,JP (models A1V)	45J9418	N
8	Power supply, 280W 85+ power supply for 10L---Robust,WW,JP (models A1V)	45J9423	N

The FRUs listed in the following tables are not illustrated.

7267 FRUs	FRU#	CRU
Cabel, SATA 700mm (RoHS) for ODD / 2st HDD (all models)	43N9011	2
C2 Intrusion Switch 260mm (all models)	43N9080	2
Rear IO shield BTX (all models)	41R6381	2
Temp Sense Cable (165 mm) (all models)	43N9079	N
Universal Adapter Bracket 5.25 to 3.5 W/Bezel, 607BT (all models)	43N9584	2
Vertical Stand, recycle resin (all models)	43N9585	2
Air Deflector, recycle resin, milan (all models)	43N9610	1
Cable,Luxshare,LED/switch cable R(nonPCB 220mm 10L) for Milan (all models)	43N9075	2
607BT Optical Bezel Asm (all models)	43N9589	2
607BT,NO ODD, Blank Bezel, Plastic (all models)	43N9590	1
Cardreader Bezel, Milan/607BT (all models)	43N9591	1
Non-Cardreader Bezel, Milan/607BT (all models)	43N9592	1
HDD TRAY ASM (all models)	43N9595	1
FRONTCAGE ASM (all models)	43N9596	1
Chassis for Miami (all models)	43N9650	N
Cable,Front I_O cable_R(10L_U380_A550)_ESD (all models)	45J9509	N
Models with 3.5" Convert 2.5" for 150GB 10K rpm HDD (1st HDD bay) (all models)	43N9645	2
Cable-SATA 250mm (RoHS) for 1st HDD (all models)	43N9012	2
BATTERY 3V-LITHIUM (models A1V)	45C1566	1

7267 Keyboard (Lenovo Preferred Pro USB -- without hub)	FRU#	CRU Tier
US English (models)	41A5289	1
Arabic (models)	41A5290	1
Arabic/French (models)	41A5291	1
Belgian/French (models)	41A5292	1
Belgian/English (models)	41A5293	1
Brazilian Portuguese (models)	41A5294	1
Bulgarian (models)	41A5295	1
Chinese/US (models A1V)	41A5296	1
Czech (models)	41A5297	1
Danish (models)	41A5298	1
Dutch (models)	41A5299	1
French (models)	41A5300	1
French Canadian (models)	41A5301	1
French Canadian (models)	41A5302	1
German (models)	41A5303	1
Greek (models)	41A5304	1
Greek/US (models)	41A5305	1

7267 Keyboard (Lenovo Preferred Pro USB -- without hub)	FRU#	CRU Tier
Hebrew (models)	41A5306	1
Hungarian (models)	41A5307	1
Iceland (models)	41A5308	1
Italian (models)	41A5309	1
Japanese (models)	41A5310	1
Korean (models)	41A5311	1
LA Spanish (models)	41A5312	1
Norwegian (models)	41A5313	1
Polish (models)	41A5314	1
Portuguese (models)	41A5315	1
Romanian (models)	41A5316	1
Romanian (models)	41A5317	1
Russian/Cyrillic (models)	41A5318	1
Serbian/Cyrillic (models)	41A5319	1
Slovak (models)	41A5320	1
Spanish (models)	41A5321	1
Swedish/Finnish (models)	41A5322	1
Swiss (models)	41A5323	1
Thailand (models)	41A5324	1
Turkish (models)	41A5325	1
Turkish (models)	41A5326	1
UK English (models)	41A5327	1
US Euro (models)	41A5328	1
Slovenian (models)	41A5329	1
Arabic(New) (models)	45J4880	1
Lithuanian (models)	45J4896	1

7267 Keyboard (Lenovo Fingerprint Reader USB)	FRU#	CRU Tier
US English (models)	41R0038	1
Arabic (models)	41R0039	1
Arabic/French (models)	41R0040	1
Belgian/French (models)	41R0041	1
Belgian/English (models)	41R0042	1
Brazilian Portuguese (models)	41R0043	1
Bulgarian (models)	41R0044	1
Chinese/US (models)	41R0045	1
Czech (models)	41R0046	1
Danish (models)	41R0047	1
Dutch (models)	41R0048	1
French (models)	41R0049	1
French Canadian (models)	41R0050	1

7267 Keyboard (Lenovo Fingerprint Reader USB)	FRU#	CRU Tier
French Canadian (models)	41R0051	1
German (models)	41R0052	1
Greek (models)	41R0053	1
Greek/US (models)	41R0054	1
Hebrew (models)	41R0055	1
Hungarian (models)	41R0056	1
Iceland (models)	41R0057	1
Italian (models)	41R0058	1
Japanese (models)	41R0059	1
Korean (models)	41R0060	1
LA Spanish (models)	41R0061	1
Norwegian (models)	41R0062	1
Polish (models)	41R0063	1
Portuguese (models)	41R0064	1
Romanian (models)	41R0065	1
Romanian (models)	41R0066	1
Russian/Cyrillic (models)	41R0067	1
Serbian/Cyrillic (models)	41R0068	1
Slovak (models)	41R0069	1
Spanish (models)	41R0070	1
Swedish/Finnish (models)	41R0071	1
Swiss (models)	41R0072	1
Thailand (models)	41R0073	1
Turkish (models)	41R0074	1
Turkish (models)	41R0075	1
UK English (models)	41R0076	1
US Euro (models)	41R0077	1
Slovenian (models)	41R0078	1

7267 Keyboard (Lenovo Preferred Pro PS/2 Full Size)	FRU#	CRU Tier
US English (models)	41A5039	1
Arabic (models)	41A5040	1
Arabic/French (models)	41A5041	1
Belgian/French (models)	41A5042	1
Belgian/English (models)	41A5043	1
Brazilian Portuguese (models)	41A5044	1
Bulgarian (models)	41A5045	1
Chinese/US (models)	41A5046	1
Czech (models)	41A5047	1
Danish (models)	41A5048	1
Dutch (models)	41A5049	1

7267 Keyboard (Lenovo Preferred Pro PS/2 Full Size)	FRU#	CRU Tier
French (models)	41A5050	1
French Canadian (models)	41A5051	1
French Canadian (models)	41A5052	1
German (models)	41A5053	1
Greek (models)	41A5054	1
Greek/US (models)	41A5080	1
Hebrew (models)	41A5055	1
Hungarian (models)	41A5056	1
Iceland (models)	41A5057	1
Italian (models)	41A5058	1
Japanese (models)	41A5059	1
Korean (models)	41A5060	1
LA Spanish (models)	41A5061	1
Norwegian (models)	41A5062	1
Polish (models)	41A5063	1
Portuguese (models)	41A5064	1
Romanian (models)	41A5065	1
Russian/Cyrillic (models)	41A5066	1
Serbian/Cyrillic (models)	41A5067	1
Slovak (models)	41R0068	1
Spanish (models)	41R0069	1
Swedish/Finnish (models)	41A5070	1
Swiss (models)	41A5071	1
Thailand (models)	41A5072	1
Turkish (models)	41A5073	1
Turkish (models)	41A5074	1
UK English (models)	41A5075	1
US Euro (models)	41A5076	1
Slovenian (models)	41A5077	1

7267 mice	FRU#	CRU
Optical Wheel Mouse (400DPI, USB) (models A1V)	41U3013	1
Optical Wheel Mouse (400DPI, USB) (models A1V)	41U3030	1
PS/2 2 Button Ball Mouse (models)	41R0018	1

7267 Adapters and miscellaneous FRUs	FRU#	CRU
Internal USB 20 in 1 Memory Card Reader Slim SFF (models)	46R1529	1
IEEE 1394 Firewire Adapter SFF (ROCKYS) (models)	41D2781	1
Soft Modem V.90/V.44 SFF (ROCKYS) (models)	29R9729	1
Speaker Power brick - US, Canada, LA low voltage, ASEAN (models)	89P8571	1
Speaker Power brick - LA high voltage (non-APU) (models)	89P8575	1

7267 Adapters and miscellaneous FRUs	FRU#	CRU
Speaker Power brick - SIMPLIFIED -CHN, Thailand EMEA (models)	89P8581	1
Speaker Power brick - JAPANESE (models)	89P8577	1
Speaker Power brick - Brazil (models)	89P8583	1
Speaker Power brick - Argentina (models)	41A4901	1
Speaker Power brick - ANZ (models)	89P8579	1
Speaker Power brick - KOREA (models)	41A4903	1
Speaker Power brick - HONG KONG, EMEA,IRELAND (models)	89P8573	1
Speaker Power brick -TAIWAN-TC (models A1V)	41A4905	1
Speaker Power brick - INDIA, South Africa (models)	89P8585	1
2-pc external speaker--primary (models)	41A5331	1
2-pc external speaker-secondary (models)	41A5334	1
DVI-I(M)-VGA(F) cord (models)	41R3342	1
ADD2 DVI-D Adapter, (HDCP) DVD-D connection Adapter Low Profile(Silicon Image) (models)	43C0258	1
ATI HD3470 GDDR3 256MB - VGA+DP (models)	46R1521	1
DisplayPort to DVI-D Dongle (models)	43N9160	1
DisplayPort to VGA Dongle (models)	45J9524	1
Modem phone cable (models)	39K5120	1
LI140mm Rear Com2 cable II mini [®] SFF (models)	43N9062	2
Rear USB 2Ports II LP [®] 350mm (models)	43N9124	2
Nvidia G100 DDR2 256MB LP - DVI-I (With DVI-I to VGA Dongle) (models)	53Y9341	1

7267 Line Cords	FRU#	CRU
Line cord - US (models)	41R3184	1
Line cord - US (models)	41R3185	1
Line cord - China (models)	41R3256	1
Line cord - China (models)	41R3257	1
Line cord - Japanese and Japanese English (models)	41R3248	1
Line cord - Japanese and Japanese English (models)	41R3249	1
Line cord - Brazil (models)	41R3270	1
Line cord - Brazil (models)	41R3271	1
Line cord - LA High Volt APU (models)	41R3176	1
Line Cord - LA High Volt APU (models)	41R3177	1
Line cord - ANZ (models)	41R3196	1
Line cord - ANZ (models)	41R3197	1
Line Cord - Korea (models)	41R3260	1
Line Cord - Korea (models)	41R3261	1
Line Cord - UK, Ireland, Singapore, Malaysia, Brunei (models)	41R3224	1
Line Cord - UK, Ireland, Singapore, Malaysia, Brunei (models)	41R3225	1
Line Cord - Taiwan (models A1V)	41R3278	1
Line Cord - Taiwan (models A1V)	41R3279	1

7267 Line Cords	FRU#	CRU
Line Cord - Italy (models)	41R3232	1
Line Cord - Italy (models)	41R3233	1
Line Cord - Indonesia, Laos, Cambodia, and Vietnam (models)	41R3208	1
Line Cord - Indonesia, Laos, Cambodia, and Vietnam (models)	41R3209	1
Line Cord - Denmark (models)	41R3212	1
Line Cord - Denmark (models)	41R3213	1
Line Cord - Switzerland (models)	41R3228	1
Line Cord - Switzerland (models)	41R3229	1
Line Cord - Israel (models)	41R3236	1
Line Cord - Israel (models)	41R3237	1
Line Cord - South Africa (models)	41R3220	1
Line Cord - South Africa (models)	41R3221	1
Line Cord - India (models)	41R3341	1
Line Cord - India (models)	41R3175	1
Line Cord - Thailand (models)	43N9029	1
Line Cord - Thailand (models)	43N9030	1
Line Cord - Y cable for Brazil Line Cord - India (models)	43N9044	1

7267 Windows XP Pro Recovery CDs	FRU#	CRU
Dutch (models)	63Y8807	1
Hebrew (models)	63Y8810	1
Portuguese (models)	63Y8818	1
Russian English (models)	63Y8814	1
Hungarian (models)	63Y8816	1
Czech (models)	63Y8808	1
Turkish (models)	63Y8815	1
Greek (models)	63Y8817	1
Slovenian (models)	63Y8819	1
Korea (models)	63Y8823	1
US English (models)	64Y5615	1
French (models)	64Y5616	1
German (models)	64Y5617	1
Italian (models)	64Y5647	1
Brazilian Portuguese (models)	64Y5646	1
Spanish (models)	64Y5645	1
Danish (models)	64Y5736	1
Arabic (models)	64Y5739	1
Swedish (models)	64Y5735	1
Finnish (models)	64Y5737	1
Norwegian (models)	64Y5734	1
Polish (models)	64Y5738	1

7267 Windows XP Pro Recovery CDs	FRU#	CRU
Russian (models)	64Y5740	1
Japanese (models)	64Y6078	1
Simplified Chinese (models)	64Y5741	1
Traditional Chinese (models)	64Y5742	1
Hong Kong (models)	64Y5743	1

7267 Vista Home Basic 32 Recovery DVDs	FRU#	CRU
English (models)	64Y2512	1
French (models)	64Y2514	1
German (models)	64Y2515	1
Spanish (models)	64Y2516	1
Brazilian Portuguese (models)	64Y2517	1
Italian (models)	64Y2518	1
Japanese (models)	64Y2525	1
Dutch (models)	64Y2532	1
Czech (models)	64Y2519	1
Polish (models)	64Y2520	1
Russian (models)	64Y2521	1
Turkish (models)	64Y2522	1
Hungarian (models)	64Y2523	1
Greek (models)	64Y2524	1
Portuguese (models)	64Y2535	1
Simplified Chinese (models)	64Y2526	1
Hongkong (models)	64Y2528	1
Traditional Chinese (models)	64Y2527	1
Korean (models)	64Y2529	1
Slovenian (models)	64Y2530	1
Russian English (models)	64Y2513	1
Hebrew (models)	64Y2533	1
Arabic enabled (models)	64Y2531	1
Slovakian (models)	64Y2537	1
Romanian (models)	64Y2534	1
Serbian-Latin (models)	64Y2536	1
Miami MUL DVD P/Ns Vista Home Basic 32 C&L1 Nordics (English DK Fi No SV) (models)	64Y2538	1
Miami MUL DVD P/Ns Vista Home Basic 32 C&L 2 Switzerland (English FR GR IT) (models)	64Y2539	1
Miami MUL DVD P/Ns Vista Home Basic 32 C&L3 Bel Lux (English FR GR NL) (models)	64Y2540	1

7267 Vista Business 32 Recovery DVDs	FRU#	CRU
English (models)	64Y2425	1

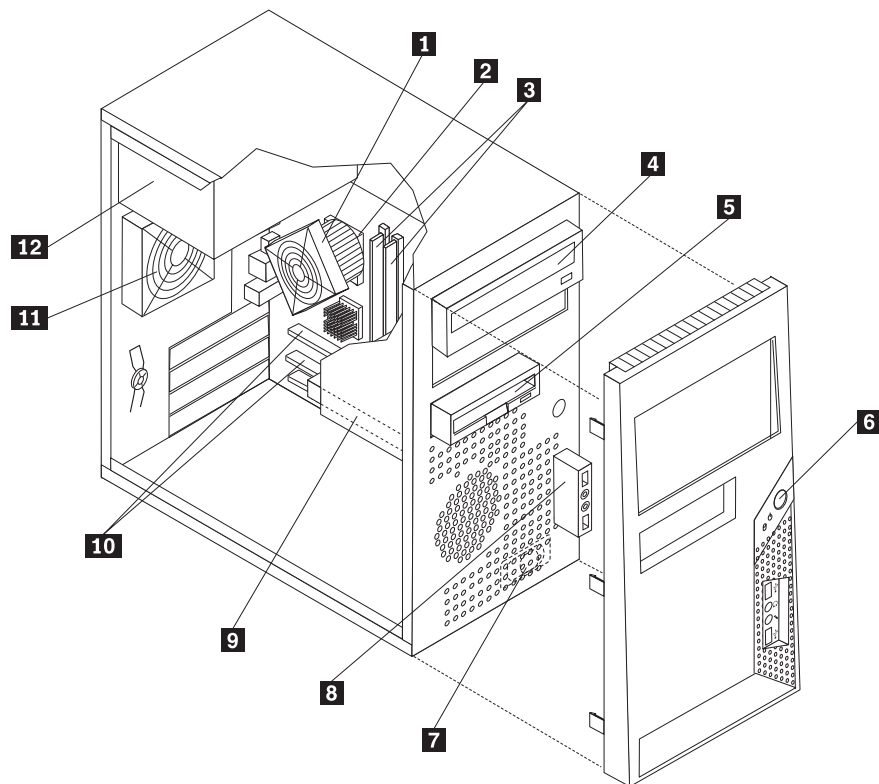
7267 Vista Business 32 Recovery DVDs	FRU#	CRU
French (models)	64Y2427	1
German (models)	64Y2428	1
Spanish (models)	64Y2429	1
Brazilian (models)	64Y2430	1
Italian (models)	64Y2432	1
Japanese (models)	64Y2438	1
Dutch (models)	64Y2445	1
Czech (models)	64Y2432	1
Polish (models)	64Y2433	1
Russian (models)	64Y2434	1
Turkish (models)	64Y2435	1
Hungarian (models)	64Y2436	1
Greek (models)	64Y2437	1
Portuguese (models)	64Y2448	1
Simplified Chinese (models)	64Y2439	1
Trad Chinese (models A1V)	64Y2440	1
HongKong (models)	64Y2441	1
Korean (models)	64Y2442	1
Slovenian (models)	64Y2443	1
Russian English (models)	64Y2426	1
Romanian (models)	64Y2447	1
Serbian-Latin (models)	64Y2449	1
Slovakian (models)	64Y2450	1
Arabic enabled (models)	64Y2444	1
Hebrew (models)	64Y2446	1
Miami MUL DVD P/Ns VB32 C&L1 Nordics (English DK FI NO SV) (models)	64Y2451	1
Miami MUL DVD P/Ns VB32 C&L 2 Switzerland (English FR GR IT) (models)	64Y2452	1
Miami MUL DVD P/Ns VB32 C&L3 Bel Lux (English FR GR NL) (models)	64Y2453	1

7267 Vista VHP 32 Recovery DVDs	FRU#	CRU
English (models)	64Y2541	1
French (models)	64Y2542	1
German (models)	64Y2543	1
Spanish (models)	64Y2544	1
Italian (models)	64Y2546	1
Japanese (models)	64Y2547	1
Hong Kong (models)	64Y2548	1
Korean (models)	64Y2545	1
Miami MUL DVD P/Ns VHP32 C&L1 Nordics (English DK FI NO SV) (models)	64Y2549	1
Miami MUL DVD P/Ns VHP32 C&L 2 Switzerland (English FR GR IT) (models)	64Y2550	1
Miami MUL DVD P/Ns VHP32 C&L3 Bel Lux (English FR GR NL) (models)	64Y2551	1

7267 Vista Business 64 Recovery CDs	FRU#	CRU
English (models)	64Y2561	1
French (models)	64Y2562	1
German (models)	64Y2563	1
Japanese (models)	64Y2564	1
Simplified Chinese (models)	64Y2565	1

7267 Vista Ultimate 32 Recovery CDs	FRU#	CRU
English (models)	64Y2552	1
Japanese (models)	64Y2557	1
French (models)	64Y2553	1
German (models)	64Y2554	1
Spanish (models)	64Y2555	1
Italian (models)	64Y2556	1
HongKong (models)	64Y2558	1
Arabic Localized (models)	64Y2559	1
MUL DVD P/Ns VU32 C&L1 Nordics (EN DK FI NO SV) (models)	64Y2560	1

Machine Type 7268



Item #	7268 FRUs	FRU#	CRU
1	Heat Sink, Intel 95W/65W Heatsink (all models)	43N9409	2
1	Heat Sink, Intel 65W Heatsink (all models)	43N9708	2
2	Microprocessor, E6550 2.33GHZ/1333MHZ/4M G-0 65W (models)	43C3833	N
2	Microprocessor, E8600 3.33GHZ/1333MHZ/6M E0 65W (models)	46R8640	N
2	Microprocessor, E8500 3.16GHz 1333MHz FSB 6M C-0 65W (models)	45C7735	N
2	Microprocessor, E8400 3.0GHz 1333MHz FSB 6M C-0 65W (models A5V A7S A7D A7Y)	45C7736	N
2	Microprocessor, E8300 2.83GHz 1333MHz FSB 6M C-0 65W (models)	45C7737	N
2	Microprocessor, E8200 2.66GHz 1333MHz FSB 6M C-0 65W (models)	45C7738	N
2	Microprocessor, E8190 2.66GHz 1333MHz FSB 6M C-0 - NON VT/Vpro 65W (models)	45R2568	N
2	Microprocessor, E7200 2.53GHz 1066MHz FSB 3M M-0 65W (models)	45R8337	N
2	Microprocessor, E7300 2.66GHz 1066MHz FSB 3M M-0 65W (models)	46R1622	N
2	Microprocessor, E7400 2.8GHZ 1066M 3M R0 (ViiV,EIST,EM64T,EDB) 65W (models A6S A6D A6Y A3U A3F A4U A4F)	53Y6653	N
2	Microprocessor, E7500 2.93GHZ 1066M 3M R0 (ViiV,EIST,EM64T,EDB) 65W (models)	53Y6654	N
2	Microprocessor, E2160 Conroe-L 1.8GHz 800MHz FSB 1M (models)	43C1968	N
2	Microprocessor, E2180 Conroe-L 2.0GHz 800MHz FSB 1M (models)	45C1773	N
2	Microprocessor, E2200 Conroe-L 2.2GHz 800MHz FSB 1M (models)	45C5349	N
2	Microprocessor, E2220 Conroe-L 2.4GHz 800MHz FSB 1M (models)	45C1774	N

Item #	7268 FRUs	FRU#	CRU
2	Microprocessor, E5200 800MHz 2M M-0 65W, 45nm (models)	46R9512	N
2	Microprocessor, E5300 2.6GHz 800MHz 2MB R0 (EIST,EM64T,EDB) 65W (models)	53Y9049	N
2	Microprocessor, E1600 2.4GHZ/800MHZ/512K - NPI M-0 65W (models)	46R1655	N
2	Microprocessor, E1400 2.0GHz 800MHz FSB 512K - NPI M-0 65W (models)	45R8339	N
2	Microprocessor, E1200 1.6GHZ/800MHZ/512K M-0 65W (models)	45R8341	N
2	Microprocessor, E1500 2.2GHz 800MHz 512KB (EIST,EM64T,EDB) M0 65W (models)	53Y9051	N
2	Microprocessor, Cel-420 Conroe-L 1.6GHz 800MHz FSB 512K (models)	43C3835	N
2	Microprocessor, Cel-430 Conroe-L 1.8GHz 800MHz FSB 512K (models)	43C1964	N
2	Microprocessor, Cel-440 Conroe-L 2.0GHz 800MHz FSB 512K (models)	43C1965	N
2	Microprocessor, Cel-450 2.2GHz 800MHz FSB 512K 35W (models)	46R9514	N
2	Microprocessor, Q9650 3.0GHZ 1333FSB 12MB VT, TXT E-0 95W (models)	46R8642	N
2	Microprocessor, Q9400 2.66GHZ 1333FSB 6MB VT, TXT R-0 95W (models B8U B8F)	46R8644	N
2	Microprocessor, Q8200 2.33GHz 1333FSB 4M M-1 95W (models)	46R9516	N
2	Microprocessor, Q8300 Yorkfield 2.5GHZ,1333MHz,4M R-0 (ViiV,EIST,EM64T,EDB) (models)	53Y6656	N
2	Microprocessor, Q6600 2.4GHZ 1066FSB 8M G-0 Stepping Level, 95W (models)	43C1695	N
2	Microprocessor, Q6700 2.66GHZ 1066FSB 8M G-0 Stepping Level, 95W (models)	43C6309	N
2	Microprocessor, Q9550 2.83GHZ 1333FSB 12M C-1 95W (models)	45C7739	N
2	Microprocessor, Q9450 Yorkfield 2.66GHZ 1333FSB 12M C-1 95W (models)	45C7740	N
2	Microprocessor, Q9300 Yorkfield 2.50GHZ 1333FSB 6M M-1 95W (models)	45C7741	N
3	Memory module, 512MB PC2-5300 (667MHz) DDR2 SDRAM (models)	41X4255	1
3	Memory module, 1GB PC2-5300 (667MHz) DDR2 SDRAM (models)	41X4256	1
3	Memory module, 2GB PC2-5300 (667MHz) DDR2 SDRAM (models)	41X4257	1
3	Memory module, 512MB PC2-6400 (800MHz) DDR2 SDRAM (models)	41X1079	1
3	Memory module, 1GB PC2-6400 (667MHz) DDR2 SDRAM (models A5V A8U A8F A3U A3F)	41X1080	1
3	Memory module, 2GB PC2-6400 (667MHz) DDR2 SDRAM (models B8U B8F)	41X1081	1
4	Optical drive, DVD-ROM Drive - 16x/48x - SATA Vista & non-Vista (models A5V A8U A8F A3U A3F)	41N3325	1
4	Optical drive, DVD Recordable/CD-RW Rambo 8 - SATA Vista & non-Vista (models B8U B8F)	43C1042	1
4	Optical drive, Blu-ray Recorder / DVD Super Multi (models)	53Y7643	1
5	Floppy Diskette Driver - 3.5" 1.44MB 2 Mode FDD with Bezel and cable Tower (models)	40Y9107	1
5	Floppy Diskette Driver - 3.5" 1.44MB 2 Mode FDD with Bezel and cable Tower (models)	40Y9105	1
6	Power switch / LED assembly (all models)	43N9074	1
7	Speaker, Internal speaker 400mm --optional (all models)	43N9091	1
8	Front audio / USB assembly (all models)	43N9076	1
9	Hard disk drive, SATA 80GB 7200RPM/3Gb/8MB (models A5V A6S A6D A6Y A7S A7D A7Y A8U A8F A9U A9F A3U A3F A4U A4F)	40Y9035	1

Item #	7268 FRUs	FRU#	CRU
9	Hard disk drive, SATA 250GB 7200RPM/3Gb/8MB (models)	40Y9036	1
9	Hard disk drive, SATA 320GB 7200rpm SATA/8MB (models)	87H4891	1
9	Hard disk drive, SATA 500GB 7200RPM/3Gb/s/8MB (models B8U B8F)	41X5582	1
9	Hard disk drive, 1TB 7200rpm SATA (models)	45C5973	1
9	Hard disk drive, 150G 10K rpm,SATA (models)	46R8893	1
10	System board, Intel G41 MATX(GA) Tower non-AMT (models B8U B8F)	46R8891	N
10	System board, Intel G41 MATX(GA) -NB upgrade (models B8U B8F)	64Y9197	N
11	Rear system fan (all models)	41R6269	2
12	Power supply, 280W Active PFC power supply(Auto sensing) for 10L---Robust,WW,JP (models B8U B8F)	41A9721	2
12	Power supply, 280W 85+ power supply for 10L---Robust,WW,JP (models B8U B8F)	41A9684	2
12	Power supply, ATX 280W 80% power supply;Robust,WW,JP (models B8U B8F)	41A9665	2
12	Power supply, ATX 320W 88% Power supply; fWW, Robust,JP (models B8U B8F)	45J9410	2
12	Power supply, 280W Watt ATX Power supply (85plus)-WW, Robust,JP (models B8U B8F)	45J9431	2

The FRUs listed in the following tables are not illustrated.

7268 FRUs	FRU#	CRU
Thermal Grease --ShinEtsu 7783D ¼1g Syringe (all models)	91P8835	N
Shield, 5.25 EMC FOR 1st ODD Bay (all models)	41N8080	1
Cable -SATA 457mm (RoHS) for ODD (all models)	43N9013	2
Intrusion Switch Asm Tamdhu 475mm --Optional (all models)	39K5022	2
2st HDD SATA cable, 120mm, 1 latching for Device, RoHS (all models)	41R3328	2
Cable-SATA 250mm (RoHS) for 1st HDD (all models)	43N9012	2
Secondl HDD Bracket Asm for TamdhuIII (all models)	41R6106	1
Temp Sense Cable (6pin 460 mm) (all models)	45J9495	2
Front FAN 2X500G HDD or 500GB+1TB Only (all models)	41R4791	2
FDD Cable-TamdhuIII (all models)	41A7182	2
FDD Cable, 310mm (all modles)	41A7147	2
Card Reader Retainer-TamdhuII (all models)	41R2913	1
No OptiCal Bezel Kit - Tamdhu II (all models)	41N8077	1
Cover (all models)	41N8050	1
I/O Shield - Ace (all models)	41N8053	2
Intrusion Switch asm (all models)	41R6116	2
4 Pin System Fan For Tamdhu2, Apollo (all models)	41R6269	2
HDD TRAY, TAMDHU (all models)	41R6291	1
Asm Chassis Without IBM Mark, Recycle (all models)	43N9415	N
ODD/FDD/Cardreader Retainers, Tamdhu (all models)	43N9351	2
Blank 5.25" Bezel, Recycle (all models)	43N9413	2
ASM BEZEL, WITHOUT IBM MARK, Recycle (all models)	43N9412	1
Cable Clip, FW-6D (all models)	43N9462	2

7268 FRUs	FRU#	CRU
BATTERY 3V-LITHIUM (models B8U B8F)	45C1566	1
3.5" Convert 2.5" for 150GB 10K rpm HDD (1st HDD bay) (models)	43N9593	2

7268 Keyboard (Lenovo Preferred Pro USB -- without hub)	FRU#	CRU Tier
US English (models B8U)	41A5289	1
Arabic (models)	41A5290	1
Arabic/French (models)	41A5291	1
Belgian/French (models)	41A5292	1
Belgian/English (models)	41A5293	1
Brazilian Portuguese (models)	41A5294	1
Bulgarian (models)	41A5295	1
Chinese/US (models A5V)	41A5296	1
Czech (models)	41A5297	1
Danish (models)	41A5298	1
Dutch (models)	41A5299	1
French (models)	41A5300	1
French Canadian (models B8F)	41A5301	1
French Canadian (models B8F)	41A5302	1
German (models)	41A5303	1
Greek (models)	41A5304	1
Greek/US (models)	41A5305	1
Hebrew (models)	41A5306	1
Hungarian (models)	41A5307	1
Iceland (models)	41A5308	1
Italian (models)	41A5309	1
Japanese (models)	41A5310	1
Korean (models)	41A5311	1
LA Spanish (models A6S A6D A6Y A7S A7D A7Y)	41A5312	1
Norwegian (models)	41A5313	1
Polish (models)	41A5314	1
Portuguese (models)	41A5315	1
Romanian (models)	41A5316	1
Romanian (models)	41A5317	1
Russian/Cyrillic (models)	41A5318	1
Serbian/Cyrillic (models)	41A5319	1
Slovak (models)	41A5320	1
Spanish (models)	41A5321	1
Swedish/Finnish (models)	41A5322	1
Swiss (models)	41A5323	1
Thailand (models)	41A5324	1
Turkish (models)	41A5325	1

7268 Keyboard (Lenovo Preferred Pro USB -- without hub)	FRU#	CRU Tier
Turkish (models)	41A5326	1
UK English (models)	41A5327	1
US Euro (models)	41A5328	1
Slovenian (models)	41A5329	1
Arabic(New) (models)	45J4880	1
Lithuanian (models)	45J4896	1

7268 Keyboard (Lenovo Fingerprint Reader USB)	FRU#	CRU Tier
US English (models)	41R0038	1
Arabic (models)	41R0039	1
Arabic/French (models)	41R0040	1
Belgian/French (models)	41R0041	1
Belgian/English (models)	41R0042	1
Brazilian Portuguese (models)	41R0043	1
Bulgarian (models)	41R0044	1
Chinese/US (models)	41R0045	1
Czech (models)	41R0046	1
Danish (models)	41R0047	1
Dutch (models)	41R0048	1
French (models)	41R0049	1
French Canadian (models)	41R0050	1
French Canadian (models)	41R0051	1
German (models)	41R0052	1
Greek (models)	41R0053	1
Greek/US (models)	41R0054	1
Hebrew (models)	41R0055	1
Hungarian (models)	41R0056	1
Iceland (models)	41R0057	1
Italian (models)	41R0058	1
Japanese (models)	41R0059	1
Korean (models)	41R0060	1
LA Spanish (models)	41R0061	1
Norwegian (models)	41R0062	1
Polish (models)	41R0063	1
Portuguese (models)	41R0064	1
Romanian (models)	41R0065	1
Romanian (models)	41R0066	1
Russian/Cyrillic (models)	41R0067	1
Serbian/Cyrillic (models)	41R0068	1
Slovak (models)	41R0069	1
Spanish (models)	41R0070	1

7268 Keyboard (Lenovo Fingerprint Reader USB)	FRU#	CRU Tier
Swedish/Finnish (models)	41R0071	1
Swiss (models)	41R0072	1
Thailand (models)	41R0073	1
Turkish (models)	41R0074	1
Turkish (models)	41R0075	1
UK English (models)	41R0076	1
US Euro (models)	41R0077	1
Slovenian (models)	41R0078	1

7268 Keyboard (Lenovo Preferred Pro PS/2 Full Size)	FRU#	CRU Tier
US English (models)	41A5039	1
Arabic (models)	41A5040	1
Arabic/French (models)	41A5041	1
Belgian/French (models)	41A5042	1
Belgian/English (models)	41A5043	1
Brazilian Portuguese (models)	41A5044	1
Bulgarian (models)	41A5045	1
Chinese/US (models)	41A5046	1
Czech (models)	41A5047	1
Danish (models)	41A5048	1
Dutch (models)	41A5049	1
French (models)	41A5050	1
French Canadian (models)	41A5051	1
French Canadian (models)	41A5052	1
German (models)	41A5053	1
Greek (models)	41A5054	1
Greek/US (models)	41A5080	1
Hebrew (models)	41A5055	1
Hungarian (models)	41A5056	1
Iceland (models)	41A5057	1
Italian (models)	41A5058	1
Japanese (models)	41A5059	1
Korean (models)	41A5060	1
LA Spanish (models)	41A5061	1
Norwegian (models)	41A5062	1
Polish (models)	41A5063	1
Portuguese (models)	41A5064	1
Romanian (models)	41A5065	1
Russian/Cyrillic (models)	41A5066	1
Serbian/Cyrillic (models)	41A5067	1
Slovak (models)	41R0068	1

7268 Keyboard (Lenovo Preferred Pro PS/2 Full Size)	FRU#	CRU Tier
Spanish (models)	41R0069	1
Swedish/Finnish (models)	41A5070	1
Swiss (models)	41A5071	1
Thailand (models)	41A5072	1
Turkish (models)	41A5073	1
Turkish (models)	41A5074	1
UK English (models)	41A5075	1
US Euro (models)	41A5076	1
Slovenian (models)	41A5077	1

7268 mice	FRU#	CRU
Optical Wheel Mouse (400DPI, USB) (models B8U B8F)	41U3013	1
Optical Wheel Mouse (400DPI, USB) (models B8U B8F)	41U3030	1
PS/2 2 Button Ball Mouse (models)	41R0018	1

7268 Adapters and miscellaneous FRUs	FRU#	CRU
Internal 20 in 1 USB Memory Card Reader(Tower) (models)	45R8139	1
IEEE 1394 Firewire Adapter SFF (ROCKYS) (models)	41D2781	1
Dash Marvell Ethernet card ATX Tower (models)	53Y4008	1
Soft Modem V.90/V.44 SFF (ROCKYS) (models)	29R9729	1
Speaker Power brick - US, Canada, LA low voltage, ASEAN (models B8U)	89P8571	1
Speaker Power brick - LA high voltage (non-APU) (models)	89P8575	1
Speaker Power brick - SIMPLIFIED -CHN, Thailand EMEA (models)	89P8581	1
Speaker Power brick - JAPANESE (models)	89P8577	1
Speaker Power brick - Brazil (models)	89P8583	1
Speaker Power brick - Argentina (models)	41A4901	1
Speaker Power brick - ANZ (models)	89P8579	1
Speaker Power brick - KOREA (models)	41A4903	1
Speaker Power brick - HONG KONG, EMEA,IRELAND (models)	89P8573	1
Speaker Power brick -TAIWAN-TC (models A5V)	41A4905	1
Speaker Power brick - INDIA, South Africa (models)	89P8585	1
2-pc external speaker--primary (models)	41A5331	1
2-pc external speaker-secondary (models)	41A5334	1
DVI-I(M)-VGA(F) cord (models)	41R3342	1
Geforce9500GT GDDR3 512MB - towerDVI+HDMI+DP (Tower) (models)	46R1524	1
ATI HD3470 GDDR3 256MB - VGA+DP (models)	46R1521	1
ADD2 DVI-D Adapter, (HDCP) DVD-D connection Adapter Low Profile(Silicon Image) (models)	43C0258	1
DisplayPort to DVI-D Dongle (models)	43N9160	1
DisplayPort to VGA Dongle (models)	45J9524	1
Modem phone cable (models)	39K5120	1

7268 Adapters and miscellaneous FRUs	FRU#	CRU
LI300mm Rear USB 2Ports II HP®(Tower) (models)	42Y8005	2
LI350mm Rear Com2 cable II mini® (Tower) (models)	41R8548	2
Nvidia G100 DDR2 256MB ATX - DVI-I+VGA (models)	53Y9249	1

7268 Line Cords	FRU#	CRU
Line cord - US (models B8U B8F)	41R3184	1
Line cord - US (models B8U B8F)	41R3185	1
Line cord - China (models)	41R3256	1
Line cord - China (models)	41R3257	1
Line cord - Japanese and Japanese English (models)	41R3248	1
Line cord - Japanese and Japanese English (models)	41R3249	1
Line cord - Brazil (models)	41R3270	1
Line cord - Brazil (models)	41R3271	1
Line cord - LA High Volt APU (models)	41R3176	1
Line Cord - LA High Volt APU (models)	41R3177	1
Line cord - ANZ (models)	41R3196	1
Line cord - ANZ (models)	41R3197	1
Line Cord - Korea (models)	41R3260	1
Line Cord - Korea (models)	41R3261	1
Line Cord - UK, Ireland, Singapore, Malaysia, Brunei (models)	41R3224	1
Line Cord - UK, Ireland, Singapore, Malaysia, Brunei (models)	41R3225	1
Line Cord - Taiwan (models A5V)	41R3278	1
Line Cord - Taiwan (models A5V)	41R3279	1
Line Cord - Italy (models)	41R3232	1
Line Cord - Italy (models)	41R3233	1
Line Cord - Indonesia, Laos, Cambodia, and Vietnam (models B8U B8F)	41R3208	1
Line Cord - Indonesia, Laos, Cambodia, and Vietnam (models B8U B8F)	41R3209	1
Line Cord - Denmark (models)	41R3212	1
Line Cord - Denmark (models)	41R3213	1
Line Cord - Switzerland (models)	41R3228	1
Line Cord - Switzerland (models)	41R3229	1
Line Cord - Israel (models)	41R3236	1
Line Cord - Israel (models)	41R3237	1
Line Cord - South Africa (models)	41R3220	1
Line Cord - South Africa (models)	41R3221	1
Line Cord - India (models)	41R3341	1
Line Cord - India (models)	41R3175	1
Line Cord - Thailand (models)	43N9029	1
Line Cord - Thailand (models)	43N9030	1
Line Cord - Y cable for Brazil (models)	43N9044	1

7268 Windows XP Pro Recovery CDs	FRU#	CRU
Dutch (models)	63Y8807	1
Hebrew (models)	63Y8810	1
Portuguese (models)	63Y8818	1
Russian English (models)	63Y8814	1
Hungarian (models)	63Y8816	1
Czech (models)	63Y8808	1
Turkish (models)	63Y8815	1
Greek (models)	63Y8817	1
Slovenian (models)	63Y8819	1
Korea (models)	63Y8823	1
US English (models B8U)	64Y5615	1
French (models B8F)	64Y5616	1
German (models)	64Y5617	1
Italian (models)	64Y5647	1
Brazilian Portuguese (models)	64Y5646	1
Spanish (models)	64Y5645	1
Danish (models)	64Y5736	1
Arabic (models)	64Y5739	1
Swedish (models)	64Y5735	1
Finnish (models)	64Y5737	1
Norwegian (models)	64Y5734	1
Polish (models)	64Y5738	1
Russian (models)	64Y5740	1
Japanese (models B3J B5J B6J B8J B9J A4J)	64Y6078	1
Simplified Chinese (models)	64Y5741	1
Traditional Chinese (models)	64Y5742	1
Hong Kong (models)	64Y5743	1

7268 Vista Home Basic 32 Recovery DVDs	FRU#	CRU
English (models)	64Y2512	1
French (models)	64Y2514	1
German (models)	64Y2515	1
Spanish (models)	64Y2516	1
Brazilian Portuguese (models)	64Y2517	1
Italian (models)	64Y2518	1
Japanese (models)	64Y2525	1
Dutch (models)	64Y2532	1
Czech (models)	64Y2519	1
Polish (models)	64Y2520	1
Russian (models)	64Y2521	1
Turkish (models)	64Y2522	1

7268 Vista Home Basic 32 Recovery DVDs	FRU#	CRU
Hungarian (models)	64Y2523	1
Greek (models)	64Y2524	1
Portuguese (models)	64Y2535	1
Simplified Chinese (models)	64Y2526	1
Hong Kong (models)	64Y2528	1
Traditional Chinese (models)	64Y2527	1
Korean (models)	64Y2529	1
Slovenian (models)	64Y2530	1
Russian English (models)	64Y2513	1
Hebrew (models)	64Y2533	1
Arabic enabled (models)	64Y2531	1
Slovakian (models)	64Y2537	1
Romanian (models)	64Y2534	1
Serbian-Latin (models)	64Y2536	1
Miami MUL DVD P/Ns Vista Home Basic 32 C&L 1 Nordics (English DK Fi No SV) (models)	64Y2538	1
Miami MUL DVD P/Ns Vista Home Basic 32 C&L 2 Switzerland (English FR GR IT) (models)	64Y2539	1
Miami MUL DVD P/Ns Vista Home Basic 32 C&L 3 Bel Lux (English FR GR NL) (models)	64Y2540	1

7268 Vista Business 32 Recovery DVDs	FRU#	CRU
English (models)	64Y2425	1
French (models)	64Y2427	1
German (models)	64Y2428	1
Spanish (models)	64Y2429	1
Brazilian (models)	64Y2430	1
Italian (models)	64Y2432	1
Japanese (models)	64Y2438	1
Dutch (models)	64Y2445	1
Czech (models)	64Y2432	1
Polish (models)	64Y2433	1
Russian (models)	64Y2434	1
Turkish (models)	64Y2435	1
Hungarian (models)	64Y2436	1
Greek (models)	64Y2437	1
Portuguese (models)	64Y2448	1
Simplified Chinese (models)	64Y2439	1
Traditional Chinese (models A5V)	64Y2440	1
Hong Kong (models)	64Y2441	1
Korean (models)	64Y2442	1
Slovenian (models)	64Y2443	1

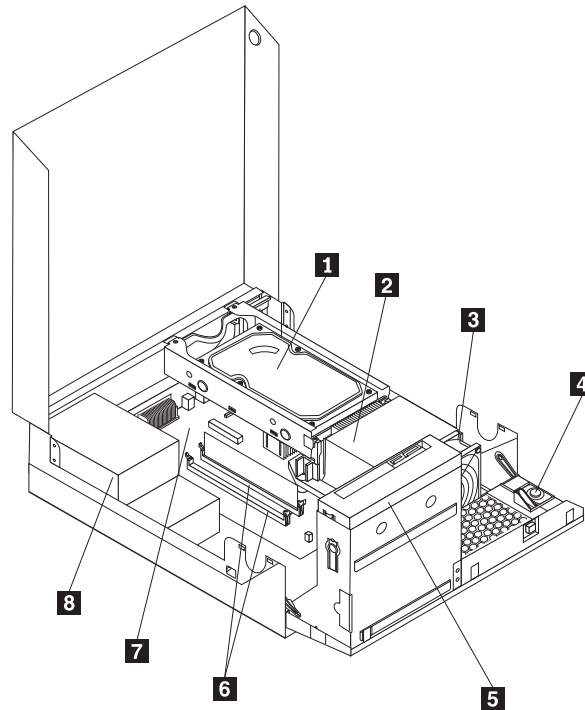
7268 Vista Business 32 Recovery DVDs	FRU#	CRU
Russian English (models)	64Y2426	1
Romanian (models)	64Y2447	1
Sebian-Latin (models)	64Y2449	1
Slovakian (models)	64Y2450	1
Arabic enabled (models)	64Y2444	1
Hebrew (models)	64Y2446	1
Miami MUL DVD P/Ns VB32 C&L1 Nordics (English DK FI NO SV) (models)	64Y2451	1
Miami MUL DVD P/Ns VB32 C&L 2 Switzerland (English FR GR IT) (models)	64Y2452	1
Miami MUL DVD P/Ns VB32 C&L3 Bel Lux (English FR GR NL) (models)	64Y2453	1

7268 Vista VHP 32 Recovery DVDs	FRU#	CRU
English (models)	64Y2541	1
French (models)	64Y2542	1
German (models)	64Y2543	1
Spanish (models)	64Y2544	1
Italian (models)	64Y2546	1
Japanese (models)	64Y2547	1
Hong Kong (models)	64Y2548	1
Korean (models)	64Y2545	1
Miami MUL DVD P/Ns VHP32 C&L1 Nordics (English DK FI NO SV) (models)	64Y2549	1
Miami MUL DVD P/Ns VHP32 C&L 2 Switzerland (English FR GR IT) (models)	64Y2550	1
Miami MUL DVD P/Ns VHP32 C&L3 Bel Lux (English FR GR NL) (models)	64Y2551	1

7268 Vista Business 64 Recovery CDs	FRU#	CRU
English (models)	64Y2561	1
French (models)	64Y2562	1
German (models)	64Y2563	1
Japanese (models)	64Y2564	1
Simplified Chinese (models)	64Y2565	1

7268 Vista Ultimate 32 Recovery CDs	FRU#	CRU
English (models)	64Y2552	1
Japanese (models)	64Y2557	1
French (models)	64Y2553	1
German (models)	64Y2554	1
Spanish (models)	64Y2555	1
Italian (models)	64Y2556	1
HongKong (models)	64Y2558	1
Arabic Localized (models)	64Y2559	1
MUL DVD P/Ns VU32 C&L1 Nordics (EN DK FI NO SV) (models)	64Y2560	1

Machine Type 7269



Item #	7269 FRUs	FRU#	CRU
1	Hard disk drive, SATA 80GB 7200RPM/3Gb/8MB (models C5U C5F)	40Y9035	1
1	Hard disk drive, SATA 250GB 7200RPM/3Gb/8MB (models C6U C6F C7U C7F)	40Y9036	1
1	Hard disk drive, SATA 320GB 7200rpm SATA/8MB (models)	87H4891	1
1	Hard disk drive, SATA 500GB 7200RPM/3Gb/s/8MB (models C8U C8F)	41X5582	1
1	Hard disk drive, 1TB 7200rpm SATA (models)	45C5973	1
1	Hard disk drive, 150G 10K rpm,SATA (models)	46R8893	1
2	Microprocessor, E6550 2.33GHZ/1333MHZ/4M G-0 65W (models)	43C3833	N
2	Microprocessor, E8600 3.33GHZ/1333MHZ/6M E0 65W (models)	46R8640	N
2	Microprocessor, E8500 3.16GHz 1333MHz FSB 6M C-0 65W (models)	45C7735	N
2	Microprocessor, E8400 3.0GHz 1333MHz FSB 6M C-0 65W (models A1H B3V B4S B4P B4D B4Y)	45C7736	N
2	Microprocessor, E8300 2.83GHz 1333MHz FSB 6M C-0 65W (models)	45C7737	N
2	Microprocessor, E8200 2.66GHz 1333MHz FSB 6M C-0 65W (models)	45C7738	N
2	Microprocessor, E8190 2.66GHz 1333MHz FSB 6M C-0 - NON VT/Vpro 65W (models)	45R2568	N
2	Microprocessor, E7200 2.53GHz 1066MHz FSB 3M M-0 65W (models)	45R8337	N
2	Microprocessor, E7300 2.66GHz 1066MHz FSB 3M M-0 65W (models)	46R1622	N
2	Microprocessor, E7400 2.8GHZ 1066M 3M R0 (ViiV,EIST,EM64T,EDB) 65W (models B5S B5P B5D B5Y A9U A9F B1U B1F)	53Y6653	N
2	Microprocessor, E7500 2.93GHZ 1066M 3M R0 (ViiV,EIST,EM64T,EDB) 65W (models C7U C7F)	53Y6654	N
2	Microprocessor, E2160 Conroe-L 1.8GHz 800MHz FSB 1M (models)	43C1968	N

Item #	7269 FRUs	FRU#	CRU
2	Microprocessor, E2180 Conroe-L 2.0GHz 800MHz FSB 1M (models)	45C1773	N
2	Microprocessor, E2200 Conroe-L 2.2GHz 800MHz FSB 1M (models)	45C5349	N
2	Microprocessor, E2220 Conroe-L 2.4GHz 800MHz FSB 1M (models)	45C1774	N
2	Microprocessor, E5200 800MHz 2M M-0 65W, 45nm (models)	46R9512	N
2	Microprocessor, E5300 2.6GHz 800MHz 2MB R0 (EIST,EM64T,EDB) 65W (models C5U C5F C6U C6F)	53Y9049	N
2	Microprocessor, E1600 2.4GHZ/800MHZ/512K - NPI M-0 65W (models)	46R1655	N
2	Microprocessor, E1400 2.0GHz 800MHz FSB 512K - NPI M-0 65W (models)	45R8339	N
2	Microprocessor, E1200 1.6GHZ/800MHZ/512K M-0 65W (models)	45R8341	N
2	Microprocessor, E1500 2.2GHz 800MHz 512KB (EIST,EM64T,EDB) M0 65W (models)	53Y9051	N
2	Microprocessor, Cel-420 Conroe-L 1.6GHz 800MHz FSB 512K (models)	43C3835	N
2	Microprocessor, Cel-430 Conroe-L 1.8GHz 800MHz FSB 512K (models)	43C1964	N
2	Microprocessor, Cel-440 Conroe-L 2.0GHz 800MHz FSB 512K (models)	43C1965	N
2	Microprocessor, Cel-450 2.2GHz 800MHz FSB 512K 35W (models)	46R9514	N
2	Microprocessor, Q9650 3.0GHZ 1333FSB 12MB VT, TXT E-0 95W (models)	46R8642	N
2	Microprocessor, Q9400 2.66GHZ 1333FSB 6MB VT, TXT R-0 95W (models C8U C8F)	46R8644	N
2	Microprocessor, Q8200 2.33GHz 1333FSB 4M M-1 95W (models B2U B2F)	46R9516	N
2	Microprocessor, Q8300 Yorkfield 2.5GHZ,1333MHz,4M R-0 (ViiV,EIST,EM64T,EDB) (models)	53Y6656	N
2	Microprocessor, Q6600 2.4GHZ 1066FSB 8M G-0 Stepping Level, 95W (models)	43C1695	N
2	Microprocessor, Q6700 2.66GHZ 1066FSB 8M G-0 Stepping Level, 95W (models)	43C6309	N
2	Microprocessor, Q9550 2.83GHZ 1333FSB 12M C-1 95W (models)	45C7739	N
2	Microprocessor, Q9450 Yorkfield 2.66GHZ 1333FSB 12M C-1 95W (models)	45C7740	N
2	Microprocessor, Q9300 Yorkfield 2.50GHZ 1333FSB 6M M-1 95W (models)	45C7741	N
3	Heat Sink, 95W heatsink Kit for 607BT, with RM (all models)	41R6454	2
3	Heat Sink, 65W heatsink Kit for 607BT, with RM (all models)	43N9349	2
4	Speaker, internal speaker 254mm -optional (all models)	39K5012	2
5	DVD-ROM Drive - 16x/48x - SATA Vista & non-Vista (models C5U C5F C6U C6F C7U C7F C8U C8F)	41N3325	1
5	DVD Recordable/CD-RW Rambo 8 - SATA Vista & non-Vista (models B4S B4P B4D B4Y B5S B5P B5D B5Y B7U B7F B1U B1F B2U B2F)	43C1042	1
6	Memory module, 512MB PC2-5300 (667MHz) DDR2 SDRAM (models)	41X4255	1
6	Memory module, 1GB PC2-5300 (667MHz) DDR2 SDRAM (models)	41X4256	1
6	Memory module, 2GB PC2-5300 (667MHz) DDR2 SDRAM (models)	41X4257	1
6	Memory module, 512MB PC2-6400 (800MHz) DDR2 SDRAM (models)	41X1079	1
6	Memory module, 1GB PC2-6400 (667MHz) DDR2 SDRAM (models C5U C5F)	41X1080	1
6	Memory module, 2GB PC2-6400 (667MHz) DDR2 SDRAM (models C6U C6F C7U C7F C8U C8F)	41X1081	1
7	System board, Intel G41 BTX(GA) SFF non-AMT (models C5U C5F C6U C6F C7U C7F C8U C8F)	46R8892	N

Item #	7269 FRUs	FRU#	CRU
7	System board, Intel G41 BTX(GA) -NB upgrade (models C5U C5F C6U C6F C7U C7F C8U C8F)	64Y9198	N
8	Power supply, 280W Active PFC power supply (Auto sensing) for 10L---Robust,WW,JP (models C5U C5F C6U C6F C7U C7F C8U C8F)	41A9701	N
8	Power supply, 280W 85+ power supply for 10L---Robust,WW, JP (models C5U C5F C6U C6F C7U C7F C8U C8F)	41A9742	N
8	Power supply, 280W Active PFC power supply (Auto sensing) for 10L---Robust,WW,JP (models C5U C5F C6U C6F C7U C7F C8U C8F)	45J9418	N
8	Power supply, 280W 85+ power supply for 10L---Robust,WW,JP (models C5U C5F C6U C6F C7U C7F C8U C8F)	45J9423	N

The FRUs listed in the following tables are not illustrated.

7269 FRUs	FRU#	CRU
Cabel, SATA 700mm (RoHS) for ODD / 2st HDD (all models)	43N9011	2
Cabel -SATA 600mm (RoHS) for ODD / 2st HDD (all models)	45J9579	2
Thermal Grease, 1g Syringe (all models)	91P8835	2
Rubber foot for horizontal (all models)	43N9728	2
C2 Intrusion Switch 260mm (all models)	43N9080	2
Rear IO shield BTX (all models)	41R6381	2
Temp Sense Cable (165 mm) (all models)	43N9079	N
Universal Adapter Bracket 5.25 to 3.5 W/Bezel, 607BT (all models)	43N9584	2
Vertical Stand, recycle resin (all models)	43N9644	2
Vertical Stand, recycle resin (all models)	43N9585	2
Air Deflector, recycle resin, milan (all models)	43N9610	1
Cable,Luxshare,LED/switch cable R(nonPCB 220mm 10L) for Milan (all models)	43N9075	2
607BT Optical Bezel Asm (all models)	43N9589	2
607BT,NO ODD, Blank Bezel, Plastic (all models)	43N9590	1
Cardreader Bezel, Milan/607BT (all models)	43N9591	1
Non-Cardreader Bezel, Milan/607BT (all models)	43N9592	1
HDD TRAY ASM (all models)	43N9595	1
FRONTCAGE ASM (all models)	43N9596	1
Chassis for Miami (all models)	43N9650	N
Cable,Front I_O cable_R(10L_U380_A550)_ESD (all models)	45J9509	N
Models with 3.5'' Convert 2.5'' for 150GB 10K rpm HDD (1st HDD bay) (all models)	43N9645	2
Cable-SATA 250mm (RoHS) for 1st HDD (all models)	43N9012	2
BATTERY 3V-LITHIUM (models C5U C5F C6U C6F C7U C7F C8U C8F)	45C1566	1

7269 Keyboard (Lenovo Preferred Pro USB -- without hub)	FRU#	CRU Tier
US English (models C5U C6U C7U C8U)	41A5289	1
Arabic (models)	41A5290	1
Arabic/French (models)	41A5291	1
Belgian/French (models)	41A5292	1

7269 Keyboard (Lenovo Preferred Pro USB -- without hub)	FRU#	CRU Tier
Belgian/English (models)	41A5293	1
Brazilian Portuguese (models B4P B5P)	41A5294	1
Bulgarian (models)	41A5295	1
Chinese/US (models B3V)	41A5296	1
Czech (models)	41A5297	1
Danish (models)	41A5298	1
Dutch (models)	41A5299	1
French (models)	41A5300	1
French Canadian (models C5F C6F C7F C8F)	41A5301	1
French Canadian (models C5F C6F C7F C8F)	41A5302	1
German (models)	41A5303	1
Greek (models)	41A5304	1
Greek/US (models)	41A5305	1
Hebrew (models)	41A5306	1
Hungarian (models)	41A5307	1
Iceland (models)	41A5308	1
Italian (models)	41A5309	1
Japanese (models)	41A5310	1
Korean (models)	41A5311	1
LA Spanish (models B4S B4D B4Y B5S B5D B5Y)	41A5312	1
Norwegian (models)	41A5313	1
Polish (models)	41A5314	1
Portuguese (models)	41A5315	1
Romanian (models)	41A5316	1
Romanian (models)	41A5317	1
Russian/Cyrillic (models)	41A5318	1
Serbian/Cyrillic (models)	41A5319	1
Slovak (models)	41A5320	1
Spanish (models)	41A5321	1
Swedish/Finnish (models)	41A5322	1
Swiss (models)	41A5323	1
Thailand (models)	41A5324	1
Turkish (models)	41A5325	1
Turkish (models)	41A5326	1
UK English (models)	41A5327	1
US Euro (models)	41A5328	1
Slovenian (models)	41A5329	1
Arabic(New) (models)	45J4880	1
Lithuanian (models)	45J4896	1

7269 Keyboard (Lenovo Fingerprint Reader USB)	FRU#	CRU Tier
US English (models)	41R0038	1
Arabic (models)	41R0039	1
Arabic/French (models)	41R0040	1
Belgian/French (models)	41R0041	1
Belgian/English (models)	41R0042	1
Brazilian Portuguese (models)	41R0043	1
Bulgarian (models)	41R0044	1
Chinese/US (models)	41R0045	1
Czech (models)	41R0046	1
Danish (models)	41R0047	1
Dutch (models)	41R0048	1
French (models)	41R0049	1
French Canadian (models)	41R0050	1
French Canadian (models)	41R0051	1
German (models)	41R0052	1
Greek (models)	41R0053	1
Greek/US (models)	41R0054	1
Hebrew (models)	41R0055	1
Hungarian (models)	41R0056	1
Iceland (models)	41R0057	1
Italian (models)	41R0058	1
Japanese (models)	41R0059	1
Korean (models)	41R0060	1
LA Spanish (models)	41R0061	1
Norwegian (models)	41R0062	1
Polish (models)	41R0063	1
Portuguese (models)	41R0064	1
Romanian (models)	41R0065	1
Romanian (models)	41R0066	1
Russian/Cyrillic (models)	41R0067	1
Serbian/Cyrillic (models)	41R0068	1
Slovak (models)	41R0069	1
Spanish (models)	41R0070	1
Swedish/Finnish (models)	41R0071	1
Swiss (models)	41R0072	1
Thailand (models)	41R0073	1
Turkish (models)	41R0074	1
Turkish (models)	41R0075	1
UK English (models)	41R0076	1
US Euro (models)	41R0077	1
Slovenian (models)	41R0078	1

7269 Keyboard (Lenovo Preferred Pro PS/2 Full Size)	FRU#	CRU Tier
US English (models)	41A5039	1
Arabic (models)	41A5040	1
Arabic/French (models)	41A5041	1
Belgian/French (models)	41A5042	1
Belgian/English (models)	41A5043	1
Brazilian Portuguese (models)	41A5044	1
Bulgarian (models)	41A5045	1
Chinese/US (models)	41A5046	1
Czech (models)	41A5047	1
Danish (models)	41A5048	1
Dutch (models)	41A5049	1
French (models)	41A5050	1
French Canadian (models)	41A5051	1
French Canadian (models)	41A5052	1
German (models)	41A5053	1
Greek (models)	41A5054	1
Greek/US (models)	41A5080	1
Hebrew (models)	41A5055	1
Hungarian (models)	41A5056	1
Iceland (models)	41A5057	1
Italian (models)	41A5058	1
Japanese (models)	41A5059	1
Korean (models)	41A5060	1
LA Spanish (models)	41A5061	1
Norwegian (models)	41A5062	1
Polish (models)	41A5063	1
Portuguese (models)	41A5064	1
Romanian (models)	41A5065	1
Russian/Cyrillic (models)	41A5066	1
Serbian/Cyrillic (models)	41A5067	1
Slovak (models)	41R0068	1
Spanish (models)	41R0069	1
Swedish/Finnish (models)	41A5070	1
Swiss (models)	41A5071	1
Thailand (models)	41A5072	1
Turkish (models)	41A5073	1
Turkish (models)	41A5074	1
UK English (models)	41A5075	1
US Euro (models)	41A5076	1
Slovenian (models)	41A5077	1

7269 mice	FRU#	CRU
Optical Wheel Mouse (400DPI, USB) (models C5U C5F C6U C6F C7U C7F C8U C8F)	41U3013	1
Optical Wheel Mouse (400DPI, USB) (models C5U C5F C6U C6F C7U C7F C8U C8F)	41U3030	1
PS/2 2 Button Ball Mouse (models)	41R0018	1

7269 Adapters and miscellaneous FRUs	FRU#	CRU
Internal USB 20 in 1 Memory Card Reader Slim SFF (models)	46R1529	1
IEEE 1394 Firewire Adapter SFF (ROCKYS) (models)	41D2781	1
Soft Modem V.90/V.44 SFF (ROCKYS) (models)	29R9729	1
Speaker Power brick - US, Canada, LA low voltage, ASEAN (models C5U C6U C7U C8U)	89P8571	1
Speaker Power brick - LA high voltage (non-APU) (models)	89P8575	1
Speaker Power brick - SIMPLIFIED -CHN, Thailand EMEA (models)	89P8581	1
Speaker Power brick - JAPANESE (models)	89P8577	1
Speaker Power brick - Brazil (models)	89P8583	1
Speaker Power brick - Argentina (models)	41A4901	1
Speaker Power brick - ANZ (models)	89P8579	1
Speaker Power brick - KOREA (models)	41A4903	1
Speaker Power brick - HONG KONG, EMEA,IRELAND (models)	89P8573	1
Speaker Power brick -TAIWAN-TC (models B3V)	41A4905	1
Speaker Power brick - INDIA, South Africa (models)	89P8585	1
2-pc external speaker--primary (models)	41A5331	1
2-pc external speaker-secondary (models)	41A5334	1
DVI-I(M)-VGA(F) cord (models)	41R3342	1
ATI HD3470 GDDR3 256MB - VGA+DP (models)	46R1521	1
ADD2 DVI-D Adapter, (HDCP) DVD-D connection Adapter Low Profile(Silicon Image) (models)	43C0258	1
DisplayPort to DVI-D Dongle (models)	43N9160	1
DisplayPort to VGA Dongle (models)	45J9524	1
Modem phone cable (models)	39K5120	1
LI140mm Rear Com2 cable II mini® SFF (models)	43N9062	2
Rear USB 2Ports II LP® 350mm (models)	43N9124	2
Nvidia G100 DDR2 256MB LP - DVI-I (With DVI-I to VGA Dongle) (models)	53Y9341	1

7269 Line Cords	FRU#	CRU
Line cord - US (models C5U C5F C6U C6F C7U C7F C8U C8F)	41R3184	1
Line cord - US (models C5U C5F C6U C6F C7U C7F C8U C8F)	41R3185	1
Line cord - China (models)	41R3256	1
Line cord - China (models)	41R3257	1
Line cord - Japanese and Japanese English (models)	41R3248	1
Line cord - Japanese and Japanese English (models)	41R3249	1
Line cord - Brazil (models)	41R3270	1

7269 Line Cords	FRU#	CRU
Line cord - Brazil (models)	41R3271	1
Line cord - LA High Volt APU (models)	41R3176	1
Line Cord - LA High Volt APU (models)	41R3177	1
Line cord - ANZ (models)	41R3196	1
Line cord - ANZ (models)	41R3197	1
Line Cord - Korea (models)	41R3260	1
Line Cord - Korea (models)	41R3261	1
Line Cord - UK, Ireland, Singapore, Malaysia, Brunei (models)	41R3224	1
Line Cord - UK, Ireland, Singapore, Malaysia, Brunei (models)	41R3225	1
Line Cord - Taiwan (models B3V)	41R3278	1
Line Cord - Taiwan (models B3V)	41R3279	1
Line Cord - Italy (models)	41R3232	1
Line Cord - Italy (models)	41R3233	1
Line Cord - Indonesia, Laos, Cambodia, and Vietnam (models C5U C5F C6U C6F C7U C7F C8U C8F)	41R3208	1
Line Cord - Indonesia, Laos, Cambodia, and Vietnam (models C5U C5F C6U C6F C7U C7F C8U C8F)	41R3209	1
Line Cord - Denmark (models)	41R3212	1
Line Cord - Denmark (models)	41R3213	1
Line Cord - Switzerland (models)	41R3228	1
Line Cord - Switzerland (models)	41R3229	1
Line Cord - Israel (models)	41R3236	1
Line Cord - Israel (models)	41R3237	1
Line Cord - South Africa (models)	41R3220	1
Line Cord - South Africa (models)	41R3221	1
Line Cord - India (models)	41R3341	1
Line Cord - India (models)	41R3175	1
Line Cord - Thailand (models)	43N9029	1
Line Cord - Thailand (models)	43N9030	1
Line Cord - Y cable for Brazil Line Cord - India (models)	43N9044	1

7269 Windows XP Pro Recovery CDs	FRU#	CRU
Dutch (models)	63Y8807	1
Hebrew (models)	63Y8810	1
Portuguese (models)	63Y8818	1
Russian English (models)	63Y8814	1
Hungarian (models)	63Y8816	1
Czech (models)	63Y8808	1
Turkish (models)	63Y8815	1
Greek (models)	63Y8817	1
Slovenian (models)	63Y8819	1

7269 Windows XP Pro Recovery CDs	FRU#	CRU
Korea (models)	63Y8823	1
US English (models C5U C6U C7U C8U)	64Y5615	1
French (models C5F C6F C7F C8F)	64Y5616	1
German (models)	64Y5617	1
Italian (models)	64Y5647	1
Brazilian Portuguese (models)	64Y5646	1
Spanish (models)	64Y5645	1
Danish (models)	64Y5736	1
Arabic (models)	64Y5739	1
Swedish (models)	64Y5735	1
Finnish (models)	64Y5737	1
Norwegian (models)	64Y5734	1
Polish (models)	64Y5738	1
Russian (models)	64Y5740	1
Japanese (models)	64Y6078	1
Simplified Chinese (models)	64Y5741	1
Traditional Chinese (models)	64Y5742	1
Hong Kong (models)	64Y5743	1

7269 Vista Home Basic 32 Recovery DVDs	FRU#	CRU
English (models)	64Y2512	1
French (models)	64Y2514	1
German (models)	64Y2515	1
Spanish (models)	64Y2516	1
Brazilian Portuguese (models)	64Y2517	1
Italian (models)	64Y2518	1
Japanese (models)	64Y2525	1
Dutch (models)	64Y2532	1
Czech (models)	64Y2519	1
Polish (models)	64Y2520	1
Russian (models)	64Y2521	1
Turkish (models)	64Y2522	1
Hungarian (models)	64Y2523	1
Greek (models)	64Y2524	1
Portuguese (models)	64Y2535	1
Simplified Chinese (models)	64Y2526	1
Hongkong (models)	64Y2528	1
Traditional Chinese (models)	64Y2527	1
Korean (models)	64Y2529	1
Slovenian (models)	64Y2530	1
Russian English (models)	64Y2513	1

7269 Vista Home Basic 32 Recovery DVDs	FRU#	CRU
Hebrew (models)	64Y2533	1
Arabic enabled (models)	64Y2531	1
Slovakian (models)	64Y2537	1
Romanian (models)	64Y2534	1
Serbian-Latin (models)	64Y2536	1
Miami MUL DVD P/Ns Vista Home Basic 32 C&L1 Nordics (English DK Fi No SV) (models)	64Y2538	1
Miami MUL DVD P/Ns Vista Home Basic 32 C&L 2 Switzerland (English FR GR IT) (models)	64Y2539	1
Miami MUL DVD P/Ns Vista Home Basic 32 C&L3 Bel Lux (English FR GR NL) (models)	64Y2540	1

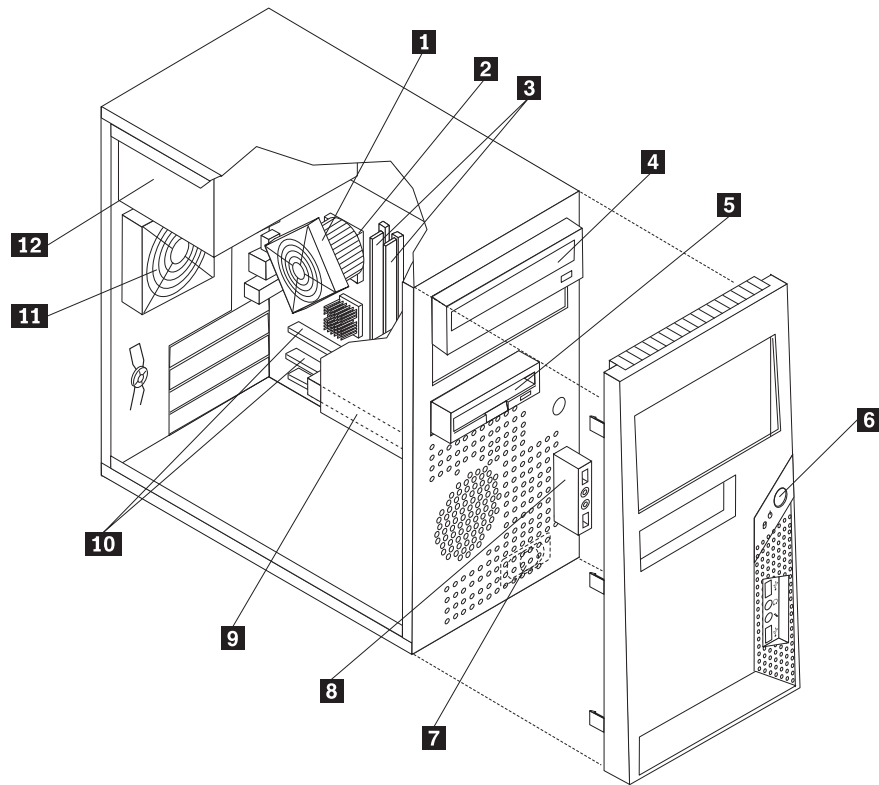
7269 Vista Business 32 Recovery DVDs	FRU#	CRU
English (models)	64Y2425	1
French (models)	64Y2427	1
German (models)	64Y2428	1
Spanish (models B4S B4D B4Y B5S B5D B5Y)	64Y2429	1
Brazilian (models B4P B5P)	64Y2430	1
Italian (models)	64Y2432	1
Japanese (models)	64Y2438	1
Dutch (models)	64Y2445	1
Czech (models)	64Y2432	1
Polish (models)	64Y2433	1
Russian (models)	64Y2434	1
Turkish (models)	64Y2435	1
Hungarian (models)	64Y2436	1
Greek (models)	64Y2437	1
Portuguese (models B4P B5P)	64Y2448	1
Simplified Chinese (models)	64Y2439	1
Trad Chinese (models B3V)	64Y2440	1
HongKong (models)	64Y2441	1
Korean (models)	64Y2442	1
Slovenian (models)	64Y2443	1
Russian English (models)	64Y2426	1
Romanian (models)	64Y2447	1
Serbian-Latin (models)	64Y2449	1
Slovakian (models)	64Y2450	1
Arabic enabled (models)	64Y2444	1
Hebrew (models)	64Y2446	1
Miami MUL DVD P/Ns VB32 C&L1 Nordics (English DK FI NO SV) (models)	64Y2451	1
Miami MUL DVD P/Ns VB32 C&L 2 Switzerland (English FR GR IT) (models)	64Y2452	1
Miami MUL DVD P/Ns VB32 C&L3 Bel Lux (English FR GR NL) (models)	64Y2453	1

7269 Vista VHP 32 Recovery DVDs	FRU#	CRU
English (models)	64Y2541	1
French (models)	64Y2542	1
German (models)	64Y2543	1
Spanish (models)	64Y2544	1
Italian (models)	64Y2546	1
Japanese (models)	64Y2547	1
Hong Kong (models)	64Y2548	1
Korean (models)	64Y2545	1
Miami MUL DVD P/Ns VHP32 C&L1 Nordics (English DK FI NO SV) (models)	64Y2549	1
Miami MUL DVD P/Ns VHP32 C&L 2 Switzerland (English FR GR IT) (models)	64Y2550	1
Miami MUL DVD P/Ns VHP32 C&L3 Bel Lux (English FR GR NL) (models)	64Y2551	1

7269 Vista Business 64 Recovery CDs	FRU#	CRU
English (models)	64Y2561	1
French (models)	64Y2562	1
German (models)	64Y2563	1
Japanese (models)	64Y2564	1
Simplified Chinese (models)	64Y2565	1

7269 Vista Ultimate 32 Recovery CDs	FRU#	CRU
English (models)	64Y2552	1
Japanese (models)	64Y2557	1
French (models)	64Y2553	1
German (models)	64Y2554	1
Spanish (models)	64Y2555	1
Italian (models)	64Y2556	1
HongKong (models)	64Y2558	1
Arabic Localized (models)	64Y2559	1
MUL DVD P/Ns VU32 C&L1 Nordics (EN DK FI NO SV) (models)	64Y2560	1

Machine Type 7270



Item #	7270 FRUs	FRU#	CRU
1	Heat Sink, Intel 95W/65W Heatsink (all models)	43N9409	2
1	Heat Sink, Intel 65W Heatsink (all models)	43N9708	2
2	Microprocessor, E6550 2.33GHZ/1333MHZ/4M G-0 65W (models)	43C3833	N
2	Microprocessor, E8600 3.33GHZ/1333MHZ/6M E0 65W (models)	46R8640	N
2	Microprocessor, E8500 3.16GHz 1333MHz FSB 6M C-0 65W (models)	45C7735	N
2	Microprocessor, E8400 3.0GHz 1333MHz FSB 6M C-0 65W (models A5V A1U A1L A1G A1M A1A A1V A4U)	45C7736	N
2	Microprocessor, E8300 2.83GHz 1333MHz FSB 6M C-0 65W (models)	45C7737	N
2	Microprocessor, E8200 2.66GHz 1333MHz FSB 6M C-0 65W (models)	45C7738	N
2	Microprocessor, E8190 2.66GHz 1333MHz FSB 6M C-0 - NON VT/Vpro 65W (models)	45R2568	N
2	Microprocessor, E7200 2.53GHz 1066MHz FSB 3M M-0 65W (models)	45R8337	N
2	Microprocessor, E7300 2.66GHz 1066MHz FSB 3M M-0 65W (models A2U)	46R1622	N
2	Microprocessor, E7400 2.8GHZ 1066M 3M R0 (ViiV,EIST,EM64T,EDB) 65W (models)	53Y6653	N
2	Microprocessor, E7500 2.93GHZ 1066M 3M R0 (ViiV,EIST,EM64T,EDB) 65W (models A6A A6T A7A A7T)	53Y6654	N
2	Microprocessor, E2160 Conroe-L 1.8GHz 800MHz FSB 1M (models)	43C1968	N
2	Microprocessor, E2180 Conroe-L 2.0GHz 800MHz FSB 1M (models)	45C1773	N
2	Microprocessor, E2200 Conroe-L 2.2GHz 800MHz FSB 1M (models)	45C5349	N
2	Microprocessor, E2220 Conroe-L 2.4GHz 800MHz FSB 1M (models A3U)	45C1774	N

Item #	7270 FRUs	FRU#	CRU
2	Microprocessor, E5200 800MHz 2M M-0 65W, 45nm (models)	46R9512	N
2	Microprocessor, E5300 2.6GHz 800MHz 2MB R0 (EIST,EM64T,EDB) 65W (models)	53Y9049	N
2	Microprocessor, E1600 2.4GHZ/800MHZ/512K - NPI M-0 65W (models)	46R1655	N
2	Microprocessor, E1400 2.0GHz 800MHz FSB 512K - NPI M-0 65W (models)	45R8339	N
2	Microprocessor, E1200 1.6GHZ/800MHZ/512K M-0 65W (models)	45R8341	N
2	Microprocessor, E1500 2.2GHz 800MHz 512KB (EIST,EM64T,EDB) M0 65W (models)	53Y9051	N
2	Microprocessor, Cel-420 Conroe-L 1.6GHz 800MHz FSB 512K (models)	43C3835	N
2	Microprocessor, Cel-430 Conroe-L 1.8GHz 800MHz FSB 512K (models)	43C1964	N
2	Microprocessor, Cel-440 Conroe-L 2.0GHz 800MHz FSB 512K (models)	43C1965	N
2	Microprocessor, Cel-450 2.2GHz 800MHz FSB 512K 35W (models)	46R9514	N
2	Microprocessor, Q9650 3.0GHZ 1333FSB 12MB VT, TXT E-0 95W (models)	46R8642	N
2	Microprocessor, Q9400 2.66GHZ 1333FSB 6MB VT, TXT R-0 95W (models)	46R8644	N
2	Microprocessor, Q8200 2.33GHZ 1333FSB 4M M-1 95W (models)	46R9516	N
2	Microprocessor, Q8300 Yorkfield 2.5GHZ,1333MHz,4M R-0 (ViiV,EIST,EM64T,EDB) (models)	53Y6656	N
2	Microprocessor, Q6600 2.4GHZ 1066FSB 8M G-0 Stepping Level, 95W (models)	43C1695	N
2	Microprocessor, Q6700 2.66GHZ 1066FSB 8M G-0 Stepping Level, 95W (models)	43C6309	N
2	Microprocessor, Q9550 2.83GHZ 1333FSB 12M C-1 95W (models)	45C7739	N
2	Microprocessor, Q9450 Yorkfield 2.66GHZ 1333FSB 12M C-1 95W (models)	45C7740	N
2	Microprocessor, Q9300 Yorkfield 2.50GHZ 1333FSB 6M M-1 95W (models)	45C7741	N
3	Memory module, 512MB PC2-5300 (667MHz) DDR2 SDRAM (models)	41X4255	1
3	Memory module, 1GB PC2-5300 (667MHz) DDR2 SDRAM (models)	41X4256	1
3	Memory module, 2GB PC2-5300 (667MHz) DDR2 SDRAM (models)	41X4257	1
3	Memory module, 512MB PC2-6400 (800MHz) DDR2 SDRAM (models)	41X1079	1
3	Memory module, 1GB PC2-6400 (667MHz) DDR2 SDRAM (models A5V)	41X1080	1
3	Memory module, 2GB PC2-6400 (667MHz) DDR2 SDRAM (models A6A A6T A7A A7T)	41X1081	1
4	Optical drive, DVD-ROM Drive - 16x/48x - SATA Vista & non-Vista (models A5V)	41N3325	1
4	Optical drive, DVD Recordable/CD-RW Rambo 8 - SATA Vista & non-Vista (models A6A A6T A7A A7T)	43C1042	1
4	Optical drive, Blu-ray Recorder / DVD Super Multi (models)	53Y7643	1
5	Floppy Diskette Driver - 3.5" 1.44MB 2 Mode FDD with Bezel and cable Tower (models)	40Y9107	1
5	Floppy Diskette Driver - 3.5" 1.44MB 2 Mode FDD with Bezel and cable Tower (models)	40Y9105	1
6	Power switch / LED assembly (all models)	43N9074	1
7	Speaker, Internal speaker 400mm --optional (all models)	43N9091	1
8	Front audio / USB assembly (all models)	43N9076	1
9	Hard disk drive, SATA 80GB 7200RPM/3Gb/8MB (models A5V A1U A1L A1G A1M A1A A1V A2U A3U A4U)	40Y9035	1
9	Hard disk drive, SATA 250GB 7200RPM/3Gb/8MB (models A6A A6T A7A A7T)	40Y9036	1
9	Hard disk drive, SATA 320GB 7200rpm SATA/8MB (models)	87H4891	1

Item #	7270 FRUs	FRU#	CRU
9	Hard disk drive, SATA 500GB 7200RPM/3Gb/s/8MB (models)	41X5582	1
9	Hard disk drive, 1TB 7200rpm SATA (models)	45C5973	1
9	Hard disk drive, 150G 10K rpm,SATA (models)	46R8893	1
10	System board, Intel G41 MATX(GA) Tower non-AMT (models A6A A6T A7A A7T)	46R8891	N
10	System board, Intel G41 MATX(GA) -NB upgrade (models A6A A6T A7A A7T)	64Y9197	N
11	Rear system fan (all models)	41R6269	2
12	Power supply, 280W Active PFC power supply(Auto sensing) for 10L---Robust,WW,JP (models A5V A1U A1L A1G A1M A1A A1V A2U A3U A4U)	41A9721	2
12	Power supply, 280W 85+ power supply for 10L---Robust,WW,JP (models A5V A1U A1L A1G A1M A1A A1V A2U A3U A4U)	41A9684	2
12	Power supply, ATX 280W 80% power supply;Robust,WW,JP (models A5V A1U A1L A1G A1M A1A A1V A2U A3U A4U)	41A9665	2
12	Power supply, ATX 320W 88% Power supply; Robust,WW,JP (models A6A A6T A7A A7T)	45J9410	2
12	Power supply, 280W Watt ATX Power supply (85plus)-WW, Robust,JP (models A6A A6T A7A A7T)	45J9431	2

The FRUs listed in the following tables are not illustrated.

7270 FRUs	FRU#	CRU
Thermal Grease --ShinEtsu 7783D 1g Syringe (all models)	91P8835	N
Shield, 5.25 EMC FOR 1st ODD Bay (all models)	41N8080	1
Cable -SATA 457mm (RoHS) for ODD (all models)	43N9013	2
Intrusion Switch Asm Tamdhu 475mm --Optional (all models)	39K5022	2
2st HDD SATA cable, 120mm, 1 latching for Device, RoHS (all models)	41R3328	2
Cable-SATA 250mm (RoHS) for 1st HDD (all models)	43N9012	2
Secondl HDD Bracket Asm for TamdhuIII (all models)	41R6106	1
Temp Sense Cable (6pin 460 mm) (all models)	45J9495	2
Front FAN 2X500G HDD or 500GB+1TB Only (all models)	41R4791	2
FDD Cable-TamdhuIII (all models)	41A7182	2
FDD Cable, 310mm (all modles)	41A7147	2
Card Reader Retainer-TamdhuII (all models)	41R2913	1
No OptiCal Bezel Kit - Tamdhu II (all models)	41N8077	1
Cover (all models)	41N8050	1
I/O Shield - Ace (all models)	41N8053	2
Intrusion Switch asm (all models)	41R6116	2
4 Pin System Fan For Tamdhu2, Apollo (all models)	41R6269	2
HDD TRAY, TAMDHU (all models)	41R6291	1
Asm Chassis Without IBM Mark, Recycle (all models)	43N9415	N
ODD/FDD/Cardreader Retainers, Tamdhu (all models)	43N9351	2
Blank 5.25" Bezel, Recycle (all models)	43N9413	2
ASM BEZEL, WITHOUT IBM MARK, Recycle (all models)	43N9412	1
Cable Clip, FW-6D (all models)	43N9462	2

7270 FRUs	FRU#	CRU
3.5" Convert 2.5" for 150GB 10K rpm HDD (1st HDD bay) (models)	43N9593	2
BATTERY 3V-LITHIUM (models A6A A6T A7A A7T)	45C1566	1

7270 Keyboard (Lenovo Preferred Pro USB -- without hub)	FRU#	CRU Tier
US English (models)	41A5289	1
Arabic (models)	41A5290	1
Arabic/French (models)	41A5291	1
Belgian/French (models)	41A5292	1
Belgian/English (models)	41A5293	1
Brazilian Portuguese (models)	41A5294	1
Bulgarian (models)	41A5295	1
Chinese/US (models)	41A5296	1
Czech (models)	41A5297	1
Danish (models)	41A5298	1
Dutch (models)	41A5299	1
French (models)	41A5300	1
French Canadian (models)	41A5301	1
French Canadian (models)	41A5302	1
German (models)	41A5303	1
Greek (models)	41A5304	1
Greek/US (models)	41A5305	1
Hebrew (models)	41A5306	1
Hungarian (models)	41A5307	1
Iceland (models)	41A5308	1
Italian (models)	41A5309	1
Japanese (models)	41A5310	1
Korean (models)	41A5311	1
LA Spanish (models)	41A5312	1
Norwegian (models)	41A5313	1
Polish (models)	41A5314	1
Portuguese (models)	41A5315	1
Romanian (models)	41A5316	1
Romanian (models)	41A5317	1
Russian/Cyrillic (models)	41A5318	1
Serbian/Cyrillic (models)	41A5319	1
Slovak (models)	41A5320	1
Spanish (models)	41A5321	1
Swedish/Finnish (models)	41A5322	1
Swiss (models)	41A5323	1
Thailand (models)	41A5324	1
Turkish (models)	41A5325	1

7270 Keyboard (Lenovo Preferred Pro USB -- without hub)	FRU#	CRU Tier
Turkish (models)	41A5326	1
UK English (models)	41A5327	1
US Euro (models)	41A5328	1
Slovenian (models)	41A5329	1
Arabic(New) (models)	45J4880	1
Lithuanian (models)	45J4896	1

7270 Keyboard (Lenovo Fingerprint Reader USB)	FRU#	CRU Tier
US English (models)	41R0038	1
Arabic (models)	41R0039	1
Arabic/French (models)	41R0040	1
Belgian/French (models)	41R0041	1
Belgian/English (models)	41R0042	1
Brazilian Portuguese (models)	41R0043	1
Bulgarian (models)	41R0044	1
Chinese/US (models)	41R0045	1
Czech (models)	41R0046	1
Danish (models)	41R0047	1
Dutch (models)	41R0048	1
French (models)	41R0049	1
French Canadian (models)	41R0050	1
French Canadian (models)	41R0051	1
German (models)	41R0052	1
Greek (models)	41R0053	1
Greek/US (models)	41R0054	1
Hebrew (models)	41R0055	1
Hungarian (models)	41R0056	1
Iceland (models)	41R0057	1
Italian (models)	41R0058	1
Japanese (models)	41R0059	1
Korean (models)	41R0060	1
LA Spanish (models)	41R0061	1
Norwegian (models)	41R0062	1
Polish (models)	41R0063	1
Portuguese (models)	41R0064	1
Romanian (models)	41R0065	1
Romanian (models)	41R0066	1
Russian/Cyrillic (models)	41R0067	1
Serbian/Cyrillic (models)	41R0068	1
Slovak (models)	41R0069	1
Spanish (models)	41R0070	1

7270 Keyboard (Lenovo Fingerprint Reader USB)	FRU#	CRU Tier
Swedish/Finnish (models)	41R0071	1
Swiss (models)	41R0072	1
Thailand (models)	41R0073	1
Turkish (models)	41R0074	1
Turkish (models)	41R0075	1
UK English (models)	41R0076	1
US Euro (models)	41R0077	1
Slovenian (models)	41R0078	1

7270 Keyboard (Lenovo Preferred Pro PS/2 Full Size)	FRU#	CRU Tier
US English (models)	41A5039	1
Arabic (models)	41A5040	1
Arabic/French (models)	41A5041	1
Belgian/French (models)	41A5042	1
Belgian/English (models)	41A5043	1
Brazilian Portuguese (models)	41A5044	1
Bulgarian (models)	41A5045	1
Chinese/US (models)	41A5046	1
Czech (models)	41A5047	1
Danish (models)	41A5048	1
Dutch (models)	41A5049	1
French (models)	41A5050	1
French Canadian (models)	41A5051	1
French Canadian (models)	41A5052	1
German (models)	41A5053	1
Greek (models)	41A5054	1
Greek/US (models)	41A5080	1
Hebrew (models)	41A5055	1
Hungarian (models)	41A5056	1
Iceland (models)	41A5057	1
Italian (models)	41A5058	1
Japanese (models)	41A5059	1
Korean (models)	41A5060	1
LA Spanish (models)	41A5061	1
Norwegian (models)	41A5062	1
Polish (models)	41A5063	1
Portuguese (models)	41A5064	1
Romanian (models)	41A5065	1
Russian/Cyrillic (models)	41A5066	1
Serbian/Cyrillic (models)	41A5067	1
Slovak (models)	41R0068	1

7270 Keyboard (Lenovo Preferred Pro PS/2 Full Size)	FRU#	CRU Tier
Spanish (models)	41R0069	1
Swedish/Finnish (models)	41A5070	1
Swiss (models)	41A5071	1
Thailand (models)	41A5072	1
Turkish (models)	41A5073	1
Turkish (models)	41A5074	1
UK English (models)	41A5075	1
US Euro (models)	41A5076	1
Slovenian (models)	41A5077	1

7270 mice	FRU#	CRU
Optical Wheel Mouse (400DPI, USB) (models A6A A6T A7A A7T)	41U3013	1
Optical Wheel Mouse (400DPI, USB) (models A6A A6T A7A A7T)	41U3030	1
PS/2 2 Button Ball Mouse (models)	41R0018	1

7270 Adapters and miscellaneous FRUs	FRU#	CRU
Internal 20 in 1 USB Memory Card Reader(Tower) (models)	45R8139	1
IEEE 1394 Firewire Adapter SFF (ROCKYS) (models)	41D2781	1
Dash Marvell Ethernet card ATX Tower (models)	53Y4008	1
Soft Modem V.90/V.44 SFF (ROCKYS) (models)	29R9729	1
Speaker Power brick - US, Canada, LA low voltage, ASEAN (models A1U A2U A3U A4U)	89P8571	1
Speaker Power brick - LA high voltage (non-APU) (models)	89P8575	1
Speaker Power brick - SIMPLIFIED -CHN, Thailand EMEA (models A1G)	89P8581	1
Speaker Power brick - JAPANESE (models)	89P8577	1
Speaker Power brick - Brazil (models)	89P8583	1
Speaker Power brick - Argentina (models)	41A4901	1
Speaker Power brick - ANZ (models A1M)	89P8579	1
Speaker Power brick - KOREA (models)	41A4903	1
Speaker Power brick - HONG KONG, EMEA,IRELAND (models A1G)	89P8573	1
Speaker Power brick -TAIWAN-TC (models A5V A1V)	41A4905	1
Speaker Power brick - INDIA, South Africa (models)	89P8585	1
2-pc external speaker--primary (models)	41A5331	1
2-pc external speaker-secondary (models)	41A5334	1
DVI-I(M)-VGA(F) cord (models)	41R3342	1
Geforce9500GT GDDR3 512MB - towerDVI+HDMI+DP (Tower) (models)	46R1524	1
ATI HD3470 GDDR3 256MB - VGA+DP (models)	46R1521	1
ADD2 DVI-D Adapter, (HDCP) DVD-D connection Adapter Low Profile(Silicon Image) (models)	43C0258	1
DisplayPort to DVI-D Dongle (models)	43N9160	1
DisplayPort to VGA Dongle (models)	45J9524	1
Modem phone cable (models)	39K5120	1

7270 Adapters and miscellaneous FRUs	FRU#	CRU
LI300mm Rear USB 2Ports II HP®(Tower) (models)	42Y8005	2
LI350mm Rear Com2 cable II mini® (Tower) (models)	41R8548	2
Nvidia G100 DDR2 256MB ATX - DVI-I+VGA (models)	53Y9249	1

7270 Line Cords	FRU#	CRU
Line cord - US (models A6A A6T A7A A7T)	41R3184	1
Line cord - US (models A6A A6T A7A A7T)	41R3185	1
Line cord - China (models)	41R3256	1
Line cord - China (models)	41R3257	1
Line cord - Japanese and Japanese English (models)	41R3248	1
Line cord - Japanese and Japanese English (models)	41R3249	1
Line cord - Brazil (models)	41R3270	1
Line cord - Brazil (models)	41R3271	1
Line cord - LA High Volt APU (models)	41R3176	1
Line Cord - LA High Volt APU (models)	41R3177	1
Line cord - ANZ (models)	41R3196	1
Line cord - ANZ (models)	41R3197	1
Line Cord - Korea (models)	41R3260	1
Line Cord - Korea (models)	41R3261	1
Line Cord - UK, Ireland, Singapore, Malaysia, Brunei (models)	41R3224	1
Line Cord - UK, Ireland, Singapore, Malaysia, Brunei (models)	41R3225	1
Line Cord - Taiwan (models A5V A1V)	41R3278	1
Line Cord - Taiwan (models A5V A1V)	41R3279	1
Line Cord - Italy (models)	41R3232	1
Line Cord - Italy (models)	41R3233	1
Line Cord - Indonesia, Laos, Cambodia, and Vietnam (models A6A A6T A7A A7T)	41R3208	1
Line Cord - Indonesia, Laos, Cambodia, and Vietnam (models A6A A6T A7A A7T)	41R3209	1
Line Cord - Denmark (models A1G)	41R3212	1
Line Cord - Denmark (models A1G)	41R3213	1
Line Cord - Switzerland (models A1G)	41R3228	1
Line Cord - Switzerland (models A1G)	41R3229	1
Line Cord - Israel (models A1G)	41R3236	1
Line Cord - Israel (models A1G)	41R3237	1
Line Cord - South Africa (models A6A A7A)	41R3220	1
Line Cord - South Africa (models A6A A7A)	41R3221	1
Line Cord - India (models)	41R3341	1
Line Cord - India (models)	41R3175	1
Line Cord - Thailand (models)	43N9029	1
Line Cord - Thailand (models)	43N9030	1
Line Cord - Y cable for Brazil (models)	43N9044	1

7270 Windows XP Pro Recovery CDs	FRU#	CRU
Dutch (models)	63Y8807	1
Hebrew (models)	63Y8810	1
Portuguese (models)	63Y8818	1
Russian English (models)	63Y8814	1
Hungarian (models)	63Y8816	1
Czech (models)	63Y8808	1
Turkish (models)	63Y8815	1
Greek (models)	63Y8817	1
Slovenian (models)	63Y8819	1
Korea (models)	63Y8823	1
US English (models A7A)	64Y5615	1
French (models)	64Y5616	1
German (models)	64Y5617	1
Italian (models)	64Y5647	1
Brazilian Portuguese (models)	64Y5646	1
Spanish (models)	64Y5645	1
Danish (models)	64Y5736	1
Arabic (models)	64Y5739	1
Swedish (models)	64Y5735	1
Finnish (models)	64Y5737	1
Norwegian (models)	64Y5734	1
Polish (models)	64Y5738	1
Russian (models)	64Y5740	1
Japanese (models)	64Y6078	1
Simplified Chinese (models)	64Y5741	1
Traditional Chinese (models)	64Y5742	1
Hong Kong (models)	64Y5743	1

7270 Vista Home Basic 32 Recovery DVDs	FRU#	CRU
English (models)	64Y2512	1
French (models)	64Y2514	1
German (models)	64Y2515	1
Spanish (models)	64Y2516	1
Brazilian Portuguese (models)	64Y2517	1
Italian (models)	64Y2518	1
Japanese (models)	64Y2525	1
Dutch (models)	64Y2532	1
Czech (models)	64Y2519	1
Polish (models)	64Y2520	1
Russian (models)	64Y2521	1
Turkish (models)	64Y2522	1

7270 Vista Home Basic 32 Recovery DVDs	FRU#	CRU
Hungarian (models)	64Y2523	1
Greek (models)	64Y2524	1
Portuguese (models)	64Y2535	1
Simplified Chinese (models)	64Y2526	1
Hong Kong (models)	64Y2528	1
Traditional Chinese (models)	64Y2527	1
Korean (models)	64Y2529	1
Slovenian (models)	64Y2530	1
Russian English (models)	64Y2513	1
Hebrew (models)	64Y2533	1
Arabic enabled (models)	64Y2531	1
Slovakian (models)	64Y2537	1
Romanian (models)	64Y2534	1
Serbian-Latin (models)	64Y2536	1
Miami MUL DVD P/Ns Vista Home Basic 32 C&L 1 Nordics (English DK Fi No SV) (models)	64Y2538	1
Miami MUL DVD P/Ns Vista Home Basic 32 C&L 2 Switzerland (English FR GR IT) (models)	64Y2539	1
Miami MUL DVD P/Ns Vista Home Basic 32 C&L 3 Bel Lux (English FR GR NL) (models)	64Y2540	1

7270 Vista Business 32 Recovery DVDs	FRU#	CRU
English (models A6A)	64Y2425	1
French (models A1G)	64Y2427	1
German (models A1G)	64Y2428	1
Spanish (models A1G)	64Y2429	1
Brazilian (models)	64Y2430	1
Italian (models A1G)	64Y2432	1
Japanese (models)	64Y2438	1
Dutch (models A1G)	64Y2445	1
Czech (models)	64Y2432	1
Polish (models A1G)	64Y2433	1
Russian (models A1G)	64Y2434	1
Turkish (models A1G)	64Y2435	1
Hungarian (models A1G)	64Y2436	1
Greek (models A1G)	64Y2437	1
Portuguese (models)	64Y2448	1
Simplified Chinese (models)	64Y2439	1
Traditional Chinese (models A5V A1V)	64Y2440	1
Hong Kong (models)	64Y2441	1
Korean (models)	64Y2442	1
Slovenian (models A1G)	64Y2443	1

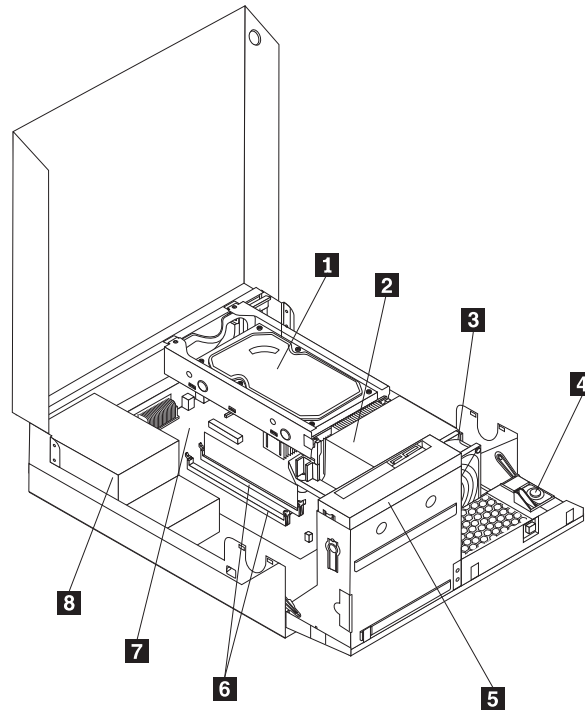
7270 Vista Business 32 Recovery DVDs	FRU#	CRU
Russian English (models A1G)	64Y2426	1
Romanian (models A1G)	64Y2447	1
Sebian-Latin (models A1G)	64Y2449	1
Slovakian (models A1G)	64Y2450	1
Arabic enabled (models A1G)	64Y2444	1
Hebrew (models A1G)	64Y2446	1
Miami MUL DVD P/Ns VB32 C&L1 Nordics (English DK FI NO SV) (models)	64Y2451	1
Miami MUL DVD P/Ns VB32 C&L 2 Switzerland (English FR GR IT) (models)	64Y2452	1
Miami MUL DVD P/Ns VB32 C&L3 Bel Lux (English FR GR NL) (models)	64Y2453	1

7270 Vista VHP 32 Recovery DVDs	FRU#	CRU
English (models)	64Y2541	1
French (models)	64Y2542	1
German (models)	64Y2543	1
Spanish (models)	64Y2544	1
Italian (models)	64Y2546	1
Japanese (models)	64Y2547	1
Hong Kong (models)	64Y2548	1
Korean (models)	64Y2545	1
Miami MUL DVD P/Ns VHP32 C&L1 Nordics (English DK FI NO SV) (models)	64Y2549	1
Miami MUL DVD P/Ns VHP32 C&L 2 Switzerland (English FR GR IT) (models)	64Y2550	1
Miami MUL DVD P/Ns VHP32 C&L3 Bel Lux (English FR GR NL) (models)	64Y2551	1

7270 Vista Business 64 Recovery CDs	FRU#	CRU
English (models)	64Y2561	1
French (models)	64Y2562	1
German (models)	64Y2563	1
Japanese (models)	64Y2564	1
Simplified Chinese (models)	64Y2565	1

7270 Vista Ultimate 32 Recovery CDs	FRU#	CRU
English (models)	64Y2552	1
Japanese (models)	64Y2557	1
French (models)	64Y2553	1
German (models)	64Y2554	1
Spanish (models)	64Y2555	1
Italian (models)	64Y2556	1
HongKong (models)	64Y2558	1
Arabic Localized (models)	64Y2559	1
MUL DVD P/Ns VU32 C&L1 Nordics (EN DK FI NO SV) (models)	64Y2560	1

Machine Type 7279



Item #	7279 FRUs	FRU#	CRU
1	Hard disk drive, SATA 80GB 7200RPM/3Gb/8MB (models B2V B3J B5J B6J B7J B8J B9J A1J A3J A4J A5J A6J A7J A8U A8G A8M A8A A8H A8V A9U A9L B1U)	40Y9035	1
1	Hard disk drive, SATA 250GB 7200RPM/3Gb/8MB (models A4J A5J A6J)	40Y9036	1
1	Hard disk drive, SATA 320GB 7200rpm SATA/8MB (models A7J)	87H4891	1
1	Hard disk drive, SATA 500GB 7200RPM/3Gb/s/8MB (models)	41X5582	1
1	Hard disk drive, 1TB 7200rpm SATA (models)	45C5973	1
1	Hard disk drive, 150G 10K rpm,SATA (models)	46R8893	1
2	Microprocessor, E6550 2.33GHZ/1333MHZ/4M G-0 65W (models)	43C3833	N
2	Microprocessor, E8600 3.33GHZ/1333MHZ/6M E0 65W (models)	46R8640	N
2	Microprocessor, E8500 3.16GHz 1333MHz FSB 6M C-0 65W (models B9J A6J)	45C7735	N
2	Microprocessor, E8400 3.0GHz 1333MHz FSB 6M C-0 65W (models B8J A8U A8G A8M A8A A8H A8V)	45C7736	N
2	Microprocessor, E8300 2.83GHz 1333MHz FSB 6M C-0 65W (models)	45C7737	N
2	Microprocessor, E8200 2.66GHz 1333MHz FSB 6M C-0 65W (models)	45C7738	N
2	Microprocessor, E8190 2.66GHz 1333MHz FSB 6M C-0 - NON VT/Vpro 65W (models)	45R2568	N
2	Microprocessor, E7200 2.53GHz 1066MHz FSB 3M M-0 65W (models)	45R8337	N
2	Microprocessor, E7300 2.66GHz 1066MHz FSB 3M M-0 65W (models A4J A5J A9U A9L)	46R1622	N
2	Microprocessor, E7400 2.8GHZ 1066M 3M R0 (ViiV,EIST,EM64T,EDB) 65W (models B6J B7J)	53Y6653	N
2	Microprocessor, E7500 2.93GHZ 1066M 3M R0 (ViiV,EIST,EM64T,EDB) 65W (models)	53Y6654	N

Item #	7279 FRUs	FRU#	CRU
2	Microprocessor, E2160 Conroe-L 1.8GHz 800MHz FSB 1M (models)	43C1968	N
2	Microprocessor, E2180 Conroe-L 2.0GHz 800MHz FSB 1M (models)	45C1773	N
2	Microprocessor, E2200 Conroe-L 2.2GHz 800MHz FSB 1M (models)	45C5349	N
2	Microprocessor, E2220 Conroe-L 2.4GHz 800MHz FSB 1M (models B1U)	45C1774	N
2	Microprocessor, E5200 800MHz 2M M-0 65W, 45nm (models)	46R9512	N
2	Microprocessor, E5300 2.6GHz 800MHz 2MB R0 (EIST,EM64T,EDB) 65W (models)	53Y9049	N
2	Microprocessor, E1600 2.4GHZ/800MHZ/512K - NPI M-0 65W (models)	46R1655	N
2	Microprocessor, E1400 2.0GHz 800MHz FSB 512K - NPI M-0 65W (models B3J A1J)	45R8339	N
2	Microprocessor, E1200 1.6GHZ/800MHZ/512K M-0 65W (models)	45R8341	N
2	Microprocessor, E1500 2.2GHz 800MHz 512KB (EIST,EM64T,EDB) M0 65W (models)	53Y9051	N
2	Microprocessor, Cel-420 Conroe-L 1.6GHz 800MHz FSB 512K (models)	43C3835	N
2	Microprocessor, Cel-430 Conroe-L 1.8GHz 800MHz FSB 512K (models)	43C1964	N
2	Microprocessor, Cel-440 Conroe-L 2.0GHz 800MHz FSB 512K (models)	43C1965	N
2	Microprocessor, Cel-450 2.2GHz 800MHz FSB 512K 35W (models)	46R9514	N
2	Microprocessor, Q9650 3.0GHZ 1333FSB 12MB VT, TXT E-0 95W (models)	46R8642	N
2	Microprocessor, Q9400 2.66GHZ 1333FSB 6MB VT, TXT R-0 95W (models A7J)	46R8644	N
2	Microprocessor, Q8200 2.33GHz 1333FSB 4M M-1 95W (models)	46R9516	N
2	Microprocessor, Q8300 Yorkfield 2.5GHZ,1333MHz,4M R-0 (ViiV,EIST,EM64T,EDB) (models)	53Y6656	N
2	Microprocessor, Q6600 2.4GHZ 1066FSB 8M G-0 Stepping Level, 95W (models)	43C1695	N
2	Microprocessor, Q6700 2.66GHZ 1066FSB 8M G-0 Stepping Level, 95W (models)	43C6309	N
2	Microprocessor, Q9550 2.83GHZ 1333FSB 12M C-1 95W (models)	45C7739	N
2	Microprocessor, Q9450 Yorkfield 2.66GHZ 1333FSB 12M C-1 95W (models)	45C7740	N
2	Microprocessor, Q9300 Yorkfield 2.50GHZ 1333FSB 6M M-1 95W (models)	45C7741	N
3	Heat Sink, 95W heatsink Kit for 607BT, with RM (models)	41R6454	2
3	Heat Sink, 65W heatsink Kit for 607BT, with RM (models)	43N9349	2
4	Speaker, internal speaker 254mm -optional (models)	39K5012	2
5	DVD-ROM Drive - 16x/48x - SATA Vista & non-Vista (models B2V B3J A1J)	41N3325	1
5	DVD Recordable/CD-RW Rambo 8 - SATA Vista & non-Vista (models B5J B6J B7J B8J B9J A3J A4J A5J A6J A7J A8U A8G A8M A8A A8H A8V A9U A9L B1U)	43C1042	1
6	Memory module, 512MB PC2-5300 (667MHz) DDR2 SDRAM (models)	41X4255	1
6	Memory module, 1GB PC2-5300 (667MHz) DDR2 SDRAM (models)	41X4256	1
6	Memory module, 2GB PC2-5300 (667MHz) DDR2 SDRAM (models)	41X4257	1
6	Memory module, 512MB PC2-6400 (800MHz) DDR2 SDRAM (models)	41X1079	1
6	Memory module, 1GB PC2-6400 (667MHz) DDR2 SDRAM (models A1H A2H A3H A4H A5H A6H B8H B9H C1H B3V B6U B6F A9U A9F)	41X1080	1
6	Memory module, 2GB PC2-6400 (667MHz) DDR2 SDRAM (models B4S B4P B4D B4Y B5S B5P B5D B5Y B7U B7F B1U B1F B2U B2F)	41X1081	1
7	System board, Intel G41 BTX(GA) SFF non-AMT (models B2V B3J B5J B6J B7J B8J B9J A1J A3J A4J A5J A6J A7J A8U A8G A8M A8A A8H A8V A9U A9L B1U)	46R8892	N
7	System board, Intel G41 BTX(GA) -NB upgrade (models B2V B3J B5J B6J B7J B8J B9J A1J A3J A4J A5J A6J A7J A8U A8G A8M A8A A8H A8V A9U A9L B1U)	64Y9198	N

Item #	7279 FRUs	FRU#	CRU
8	Power supply, 280W Active PFC power supply(Auto sensing) for 10L---Robust,WW,JP (models B2V B3J B5J B6J B7J B8J B9J A1J A3J A4J A5J A6J A7J A8U A8G A8M A8A A8H A8V A9U A9L B1U)	41A9701	N
8	Power supply, 280W 85+ power supply for 10L---Robust,WW,JP (models B2V B3J B5J B6J B7J B8J B9J A1J A3J A4J A5J A6J A7J A8U A8G A8M A8A A8H A8V A9U A9L B1U)	41A9742	N
8	Power supply, 280W Active PFC power supply(Auto sensing) for 10L---Robust,WW,JP (models B2V B3J B5J B6J B7J B8J B9J A1J A3J A4J A5J A6J A7J A8U A8G A8M A8A A8H A8V A9U A9L B1U)	45J9418	N
8	Power supply, 280W 85+ power supply for 10L---Robust,WW,JP (models B2V B3J B5J B6J B7J B8J B9J A1J A3J A4J A5J A6J A7J A8U A8G A8M A8A A8H A8V A9U A9L B1U)	45J9423	N

The FRUs listed in the following tables are not illustrated.

7279 FRUs	FRU#	CRU
Cabel, SATA 700mm (RoHS) for ODD / 2st HDD (all models)	43N9011	2
C2 Intrusion Switch 260mm (all models)	43N9080	2
Rear IO shield BTX (all models)	41R6381	2
Temp Sense Cable (165 mm) (all models)	43N9079	N
Universal Adapter Bracket 5.25 to 3.5 W/Bezel, 607BT (all models)	43N9584	2
Vertical Stand, recycle resin (all models)	43N9585	2
Air Deflector, recycle resin, milan (all models)	43N9610	1
Cable,Luxshare,LED/switch cable R(nonPCB 220mm 10L) for Milan (all models)	43N9075	2
607BT Optical Bezel Asm (all models)	43N9589	2
607BT,NO ODD, Blank Bezel, Plastic (all models)	43N9590	1
Cardreader Bezel, Milan/607BT (all models)	43N9591	1
Non-Cardreader Bezel, Milan/607BT (all models)	43N9592	1
HDD TRAY ASM (all models)	43N9595	1
FRONTCAGE ASM (all models)	43N9596	1
Chassis for Miami (all models)	43N9650	N
Cable,Front I_O cable_R(10L_U380_A550)_ESD (all models)	45J9509	N
Models with 3.5" Convert 2.5" for 150GB 10K rpm HDD (1st HDD bay) (all models)	43N9645	2
Cable-SATA 250mm (RoHS) for 1st HDD (all models)	43N9012	2
BATTERY 3V-LITHIUM (models B2V B3J B5J B6J B7J B8J B9J A1J A3J A4J A5J A6J A7J A8U A8G A8M A8A A8H A8V A9U A9L B1U)	45C1566	1

7279 Keyboard (Lenovo Preferred Pro USB -- without hub)	FRU#	CRU Tier
US English (models A8U A8G A8M A8A A8H A9U A9L B1U)	41A5289	1
Arabic (models A8G)	41A5290	1
Arabic/French (models A8G)	41A5291	1
Belgian/French (models)	41A5292	1
Belgian/English (models A8G)	41A5293	1
Brazilian Portuguese (models)	41A5294	1

7279 Keyboard (Lenovo Preferred Pro USB -- without hub)	FRU#	CRU Tier
Bulgarian (models A8G)	41A5295	1
Chinese/US (models B2V A8V)	41A5296	1
Czech (models A8G)	41A5297	1
Danish (models A8G)	41A5298	1
Dutch (models A8G)	41A5299	1
French (models A8G)	41A5300	1
French Canadian (models A8G)	41A5301	1
French Canadian (models A8G)	41A5302	1
German (models A8G)	41A5303	1
Greek (models A8G)	41A5304	1
Greek/US (models A8G)	41A5305	1
Hebrew (models A8G)	41A5306	1
Hungarian (models A8G)	41A5307	1
Iceland (models A8G)	41A5308	1
Italian (models A8G)	41A5309	1
Japanese (models B3J B5J B6J B7J B8J B9J A1J A3J A4J A5J A6J A7J)	41A5310	1
Korean (models)	41A5311	1
LA Spanish (models)	41A5312	1
Norwegian (models A8G)	41A5313	1
Polish (models A8G)	41A5314	1
Portuguese (models A8G)	41A5315	1
Romanian (models A8G)	41A5316	1
Romanian (models A8G)	41A5317	1
Russian/Cyrillic (models A8G)	41A5318	1
Serbian/Cyrillic (models A8G)	41A5319	1
Slovak (models A8G)	41A5320	1
Spanish (models A8G)	41A5321	1
Swedish/Finnish (models A8G)	41A5322	1
Swiss (models A8G)	41A5323	1
Thailand (models)	41A5324	1
Turkish (models A8G)	41A5325	1
Turkish (models A8G)	41A5326	1
UK English (models A8G)	41A5327	1
US Euro (models A8G)	41A5328	1
Slovenian (models)	41A5329	1
Arabic(New) (models A8G)	45J4880	1
Lithuanian (models)	45J4896	1

7279 Keyboard (Lenovo Fingerprint Reader USB)	FRU#	CRU Tier
US English (models)	41R0038	1
Arabic (models)	41R0039	1

7279 Keyboard (Lenovo Fingerprint Reader USB)	FRU#	CRU Tier
Arabic/French (models)	41R0040	1
Belgian/French (models)	41R0041	1
Belgian/English (models)	41R0042	1
Brazilian Portuguese (models)	41R0043	1
Bulgarian (models)	41R0044	1
Chinese/US (models)	41R0045	1
Czech (models)	41R0046	1
Danish (models)	41R0047	1
Dutch (models)	41R0048	1
French (models)	41R0049	1
French Canadian (models)	41R0050	1
French Canadian (models)	41R0051	1
German (models)	41R0052	1
Greek (models)	41R0053	1
Greek/US (models)	41R0054	1
Hebrew (models)	41R0055	1
Hungarian (models)	41R0056	1
Iceland (models)	41R0057	1
Italian (models)	41R0058	1
Japanese (models)	41R0059	1
Korean (models)	41R0060	1
LA Spanish (models)	41R0061	1
Norwegian (models)	41R0062	1
Polish (models)	41R0063	1
Portuguese (models)	41R0064	1
Romanian (models)	41R0065	1
Romanian (models)	41R0066	1
Russian/Cyrillic (models)	41R0067	1
Serbian/Cyrillic (models)	41R0068	1
Slovak (models)	41R0069	1
Spanish (models)	41R0070	1
Swedish/Finnish (models)	41R0071	1
Swiss (models)	41R0072	1
Thailand (models)	41R0073	1
Turkish (models)	41R0074	1
Turkish (models)	41R0075	1
UK English (models)	41R0076	1
US Euro (models)	41R0077	1
Slovenian (models)	41R0078	1

7279 Keyboard (Lenovo Preferred Pro PS/2 Full Size)	FRU#	CRU Tier
US English (models)	41A5039	1
Arabic (models)	41A5040	1
Arabic/French (models)	41A5041	1
Belgian/French (models)	41A5042	1
Belgian/English (models)	41A5043	1
Brazilian Portuguese (models)	41A5044	1
Bulgarian (models)	41A5045	1
Chinese/US (models)	41A5046	1
Czech (models)	41A5047	1
Danish (models)	41A5048	1
Dutch (models)	41A5049	1
French (models)	41A5050	1
French Canadian (models)	41A5051	1
French Canadian (models)	41A5052	1
German (models)	41A5053	1
Greek (models)	41A5054	1
Greek/US (models)	41A5080	1
Hebrew (models)	41A5055	1
Hungarian (models)	41A5056	1
Iceland (models)	41A5057	1
Italian (models)	41A5058	1
Japanese (models)	41A5059	1
Korean (models)	41A5060	1
LA Spanish (models)	41A5061	1
Norwegian (models)	41A5062	1
Polish (models)	41A5063	1
Portuguese (models)	41A5064	1
Romanian (models)	41A5065	1
Russian/Cyrillic (models)	41A5066	1
Serbian/Cyrillic (models)	41A5067	1
Slovak (models)	41R0068	1
Spanish (models)	41R0069	1
Swedish/Finnish (models)	41A5070	1
Swiss (models)	41A5071	1
Thailand (models)	41A5072	1
Turkish (models)	41A5073	1
Turkish (models)	41A5074	1
UK English (models)	41A5075	1
US Euro (models)	41A5076	1
Slovenian (models)	41A5077	1

7279 mice	FRU#	CRU
Optical Wheel Mouse (400DPI, USB) (models B2V B3J B5J B6J B7J B8J B9J A1J A3J A4J A5J A6J A7J A8U A8G A8M A8A A8H A8V A9U A9L B1U)	41U3013	1
Optical Wheel Mouse (400DPI, USB) (models B2V B3J B5J B6J B7J B8J B9J A1J A3J A4J A5J A6J A7J A8U A8G A8M A8A A8H A8V A9U A9L B1U)	41U3030	1
PS/2 2 Button Ball Mouse (models)	41R0018	1

7279 Adapters and miscellaneous FRUs	FRU#	CRU
Internal USB 20 in 1 Memory Card Reader Slim SFF (models)	46R1529	1
IEEE 1394 Firewire Adapter SFF (ROCKYS) (models)	41D2781	1
Soft Modem V.90/V.44 SFF (ROCKYS) (models)	29R9729	1
Speaker Power brick - US, Canada, LA low voltage, ASEAN (models A8U A9U B1U)	89P8571	1
Speaker Power brick - LA high voltage (non-APU) (models)	89P8575	1
Speaker Power brick - SIMPLIFIED -CHN, Thailand EMEA (models A8G)	89P8581	1
Speaker Power brick - JAPANESE (models B3J B5J B6J B7J B8J B9J A1J A3J A4J A5J A6J A7J)	89P8577	1
Speaker Power brick - Brazil (models)	89P8583	1
Speaker Power brick - Argentina (models)	41A4901	1
Speaker Power brick - ANZ (models A8M)	89P8579	1
Speaker Power brick - KOREA (models)	41A4903	1
Speaker Power brick - HONG KONG, EMEA,IRELAND (models A8G)	89P8573	1
Speaker Power brick -TAIWAN-TC (models B2V A8V)	41A4905	1
Speaker Power brick - INDIA, South Africa (models)	89P8585	1
2-pc external speaker--primary (models)	41A5331	1
2-pc external speaker-secondary (models)	41A5334	1
DVI-I(M)-VGA(F) cord (models)	41R3342	1
ATI HD3470 GDDR3 256MB - VGA+DP (models)	46R1521	1
ADD2 DVI-D Adapter, (HDCP) DVD-D connection Adapter Low Profile(Silicon Image) (models)	43C0258	1
DisplayPort to DVI-D Dongle (models)	43N9160	1
DisplayPort to VGA Dongle (models)	45J9524	1
Modem phone cable (models)	39K5120	1
LI140mm Rear Com2 cable II mini [®] SFF (models)	43N9062	2
Rear USB 2Ports II LP [®] 350mm (modles)	43N9124	2
Nvidia G100 DDR2 256MB LP - DVI-I (With DVI-I to VGA Dongle) (models)	53Y9341	1

7279 Line Cords	FRU#	CRU
Line cord - US (models A8U A8A A9U A9L B1U)	41R3184	1
Line cord - US (models A8U A8A A9U A9L B1U)	41R3185	1
Line cord - China (models)	41R3256	1
Line cord - China (models)	41R3257	1
Line cord - Japanese and Japanese English (models B3J B5J B6J B7J B8J B9J A1J A3J A4J A5J A6J A7J)	41R3248	1

7279 Line Cords	FRU#	CRU
Line cord - Japanese and Japanese English (models B3J B5J B6J B7J B8J B9J A1J A3J A4J A5J A6J A7J)	41R3249	1
Line cord - Brazil (models)	41R3270	1
Line cord - Brazil (models)	41R3271	1
Line cord - LA High Volt APU (models)	41R3176	1
Line Cord - LA High Volt APU (models)	41R3177	1
Line cord - ANZ (models)	41R3196	1
Line cord - ANZ (models)	41R3197	1
Line Cord - Korea (models)	41R3260	1
Line Cord - Korea (models)	41R3261	1
Line Cord - UK, Ireland, Singapore, Malaysia, Brunei (models A8H)	41R3224	1
Line Cord - UK, Ireland, Singapore, Malaysia, Brunei (models A8H)	41R3225	1
Line Cord - Taiwan (models B2V A8V)	41R3278	1
Line Cord - Taiwan (models B2V A8V)	41R3279	1
Line Cord - Italy (models)	41R3232	1
Line Cord - Italy (models)	41R3233	1
Line Cord - Indonesia, Laos, Cambodia, and Vietnam (models A8U A8A A9U A9L B1U)	41R3208	1
Line Cord - Indonesia, Laos, Cambodia, and Vietnam (models A8U A8A A9U A9L B1U)	41R3209	1
Line Cord - Denmark (models A8G)	41R3212	1
Line Cord - Denmark (models A8G)	41R3213	1
Line Cord - Switzerland (models A8G)	41R3228	1
Line Cord - Switzerland (models A8G)	41R3229	1
Line Cord - Israel (models A8G)	41R3236	1
Line Cord - Israel (models A8G)	41R3237	1
Line Cord - South Africa (models A8G A8M A8A)	41R3220	1
Line Cord - South Africa (models A8G A8M A8A)	41R3221	1
Line Cord - India (models)	41R3341	1
Line Cord - India (models)	41R3175	1
Line Cord - Thailand (models)	43N9029	1
Line Cord - Thailand (models)	43N9030	1
Line Cord - Y cable for Brazil Line Cord - India (models)	43N9044	1

7279 Windows XP Pro Recovery CDs	FRU#	CRU
Dutch (models)	63Y8807	1
Hebrew (models)	63Y8810	1
Portuguese (models)	63Y8818	1
Russian English (models)	63Y8814	1
Hungarian (models)	63Y8816	1
Czech (models)	63Y8808	1
Turkish (models)	63Y8815	1
Greek (models)	63Y8817	1

7279 Windows XP Pro Recovery CDs	FRU#	CRU
Slovenian (models)	63Y8819	1
Korea (models)	63Y8823	1
US English (models)	64Y5615	1
French (models)	64Y5616	1
German (models)	64Y5617	1
Italian (models)	64Y5647	1
Brazilian Portuguese (models)	64Y5646	1
Spanish (models)	64Y5645	1
Danish (models)	64Y5736	1
Arabic (models)	64Y5739	1
Swedish (models)	64Y5735	1
Finnish (models)	64Y5737	1
Norwegian (models)	64Y5734	1
Polish (models)	64Y5738	1
Russian (models)	64Y5740	1
Japanese (models B3J B5J B6J B8J B9J A4J)	64Y6078	1
Simplified Chinese (models)	64Y5741	1
Traditional Chinese (models)	64Y5742	1
Hong Kong (models)	64Y5743	1

7279 Vista Home Basic 32 Recovery DVDs	FRU#	CRU
English (models)	64Y2512	1
French (models)	64Y2514	1
German (models)	64Y2515	1
Spanish (models)	64Y2516	1
Brazilian Portuguese (models)	64Y2517	1
Italian (models)	64Y2518	1
Japanese (models)	64Y2525	1
Dutch (models)	64Y2532	1
Czech (models)	64Y2519	1
Polish (models)	64Y2520	1
Russian (models)	64Y2521	1
Turkish (models)	64Y2522	1
Hungarian (models)	64Y2523	1
Greek (models)	64Y2524	1
Portuguese (models)	64Y2535	1
Simplified Chinese (models)	64Y2526	1
Hongkong (models)	64Y2528	1
Traditional Chinese (models)	64Y2527	1
Korean (models)	64Y2529	1
Slovenian (models)	64Y2530	1

7279 Vista Home Basic 32 Recovery DVDs	FRU#	CRU
Russian English (models)	64Y2513	1
Hebrew (models)	64Y2533	1
Arabic enabled (models)	64Y2531	1
Slovakian (models)	64Y2537	1
Romanian (models)	64Y2534	1
Serbian-Latin (models)	64Y2536	1
Miami MUL DVD P/Ns Vista Home Basic 32 C&L1 Nordics (English DK Fi No SV) (models)	64Y2538	1
Miami MUL DVD P/Ns Vista Home Basic 32 C&L 2 Switzerland (English FR GR IT) (models)	64Y2539	1
Miami MUL DVD P/Ns Vista Home Basic 32 C&L3 Bel Lux (English FR GR NL) (models)	64Y2540	1

7279 Vista Business 32 Recovery DVDs	FRU#	CRU
English (models A8U A8G A8M A8A A8H A9U A9L B1U)	64Y2425	1
French (models A8G)	64Y2427	1
German (models A8G)	64Y2428	1
Spanish (models A8G)	64Y2429	1
Brazilian (models)	64Y2430	1
Italian (models A8G)	64Y2432	1
Japanese (models B7J A1J A3J A5J A6J A7J)	64Y2438	1
Dutch (models A8G)	64Y2445	1
Czech (models)	64Y2432	1
Polish (models A8G)	64Y2433	1
Russian (models A8G)	64Y2434	1
Turkish (models A8G)	64Y2435	1
Hungarian (models A8G)	64Y2436	1
Greek (models A8G)	64Y2437	1
Portuguese (models A8G)	64Y2448	1
Simplified Chinese (models)	64Y2439	1
Trad Chinese (models)	64Y2440	1
HongKong (models)	64Y2441	1
Korean (models)	64Y2442	1
Slovenian (models)	64Y2443	1
Russian English (models A8G)	64Y2426	1
Romanian (models A8G)	64Y2447	1
Serbian-Latin (models)	64Y2449	1
Slovakian (models A8G)	64Y2450	1
Arabic enabled (models)	64Y2444	1
Hebrew (models A8G)	64Y2446	1
Miami MUL DVD P/Ns VB32 C&L1 Nordics (English DK FI NO SV) (models A8G)	64Y2451	1
Miami MUL DVD P/Ns VB32 C&L 2 Switzerland (English FR GR IT) (models A8G)	64Y2452	1

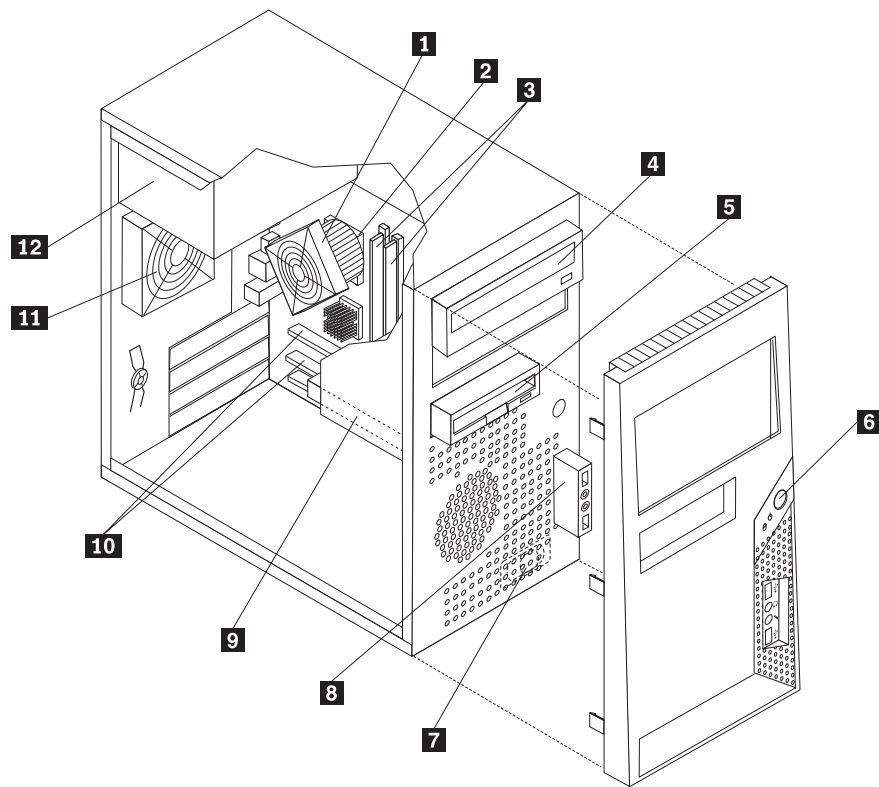
7279 Vista Business 32 Recovery DVDs	FRU#	CRU
Miami MUL DVD P/Ns VB32 C&L3 Bel Lux (English FR GR NL) (models A8G)	64Y2453	1

7279 Vista VHP 32 Recovery DVDs	FRU#	CRU
English (models)	64Y2541	1
French (models)	64Y2542	1
German (models)	64Y2543	1
Spanish (models)	64Y2544	1
Italian (models)	64Y2546	1
Japanese (models)	64Y2547	1
Hong Kong (models)	64Y2548	1
Korean (models)	64Y2545	1
Miami MUL DVD P/Ns VHP32 C&L1 Nordics (English DK FI NO SV) (models)	64Y2549	1
Miami MUL DVD P/Ns VHP32 C&L 2 Switzerland (English FR GR IT) (models)	64Y2550	1
Miami MUL DVD P/Ns VHP32 C&L3 Bel Lux (English FR GR NL) (models)	64Y2551	1

7279 Vista Business 64 Recovery CDs	FRU#	CRU
English (models)	64Y2561	1
French (models)	64Y2562	1
German (models)	64Y2563	1
Japanese (models)	64Y2564	1
Simplified Chinese (models)	64Y2565	1

7279 Vista Ultimate 32 Recovery CDs	FRU#	CRU
English (models)	64Y2552	1
Japanese (models)	64Y2557	1
French (models)	64Y2553	1
German (models)	64Y2554	1
Spanish (models)	64Y2555	1
Italian (models)	64Y2556	1
HongKong (models)	64Y2558	1
Arabic Localized (models)	64Y2559	1
MUL DVD P/Ns VU32 C&L1 Nordics (EN DK FI NO SV) (models)	64Y2560	1

Machine Type 7296



Item #	7296 FRUs	FRU#	CRU
1	Heat Sink, Intel 95W/65W Heatsink (all models)	43N9409	2
2	Microprocessor, E6550 2.33GHZ/1333MHZ/4M G-0 65W (models)	43C3833	N
2	Microprocessor, E8600 3.33GHZ/1333MHZ/6M E0 65W (models)	46R8640	N
2	Microprocessor, E8500 3.16GHz 1333MHz FSB 6M C-0 65W (models)	45C7735	N
2	Microprocessor, E8400 3.0GHz 1333MHz FSB 6M C-0 65W (models A1V)	45C7736	N
2	Microprocessor, E8300 2.83GHz 1333MHz FSB 6M C-0 65W (models)	45C7737	N
2	Microprocessor, E8200 2.66GHz 1333MHz FSB 6M C-0 65W (models)	45C7738	N
2	Microprocessor, E8190 2.66GHz 1333MHz FSB 6M C-0 - NON VT/Vpro 65W (models)	45R2568	N
2	Microprocessor, E7200 2.53GHz 1066MHz FSB 3M M-0 65W (models)	45R8337	N
2	Microprocessor, E7300 2.66GHz 1066MHz FSB 3M M-0 65W (models)	46R1622	N
2	Microprocessor, E7400 2.8GHZ 1066M 3M R0 (ViiV,EIST,EM64T,EDB) 65W (models)	53Y6653	N
2	Microprocessor, E7500 2.93GHZ 1066M 3M R0 (ViiV,EIST,EM64T,EDB) 65W (models)	53Y6654	N
2	Microprocessor, E2160 Conroe-L 1.8GHz 800MHz FSB 1M (models)	43C1968	N
2	Microprocessor, E2180 Conroe-L 2.0GHz 800MHz FSB 1M (models)	45C1773	N
2	Microprocessor, E2200 Conroe-L 2.2GHz 800MHz FSB 1M (models)	45C5349	N
2	Microprocessor, E2220 Conroe-L 2.4GHz 800MHz FSB 1M (models)	45C1774	N
2	Microprocessor, E5200 800MHz 2M M-0 65W, 45nm (models)	46R9512	N

Item #	7296 FRUs	FRU#	CRU
2	Microprocessor, E5300 2.6GHz 800MHz 2MB R0 (EIST,EM64T,EDB) 65W (models)	53Y9049	N
2	Microprocessor, E1600 2.4GHZ/800MHZ/512K - NPI M-0 65W (models)	46R1655	N
2	Microprocessor, E1400 2.0GHz 800MHz FSB 512K - NPI M-0 65W (models)	45R8339	N
2	Microprocessor, E1200 1.6GHZ/800MHZ/512K M-0 65W (models)	45R8341	N
2	Microprocessor, E1500 2.2GHz 800MHz 512KB (EIST,EM64T,EDB) M0 65W (models)	53Y9051	N
2	Microprocessor, Cel-420 Conroe-L 1.6GHz 800MHz FSB 512K (models)	43C3835	N
2	Microprocessor, Cel-430 Conroe-L 1.8GHz 800MHz FSB 512K (models)	43C1964	N
2	Microprocessor, Cel-440 Conroe-L 2.0GHz 800MHz FSB 512K (models)	43C1965	N
2	Microprocessor, Cel-450 2.2GHz 800MHz FSB 512K 35W (models)	46R9514	N
2	Microprocessor, Q9650 3.0GHZ 1333FSB 12MB VT, TXT E-0 95W (models)	46R8642	N
2	Microprocessor, Q9400 2.66GHZ 1333FSB 6MB VT, TXT R-0 95W (models)	46R8644	N
2	Microprocessor, Q8200 2.33GHz 1333FSB 4M M-1 95W (models)	46R9516	N
2	Microprocessor, Q8300 Yorkfield 2.5GHZ,1333MHz,4M R-0 (ViiV,EIST,EM64T,EDB) (models)	53Y6656	N
2	Microprocessor, Q6600 2.4GHZ 1066FSB 8M G-0 Stepping Level, 95W (models)	43C1695	N
2	Microprocessor, Q6700 2.66GHZ 1066FSB 8M G-0 Stepping Level, 95W (models)	43C6309	N
2	Microprocessor, Q9550 2.83GHZ 1333FSB 12M C-1 95W (models)	45C7739	N
2	Microprocessor, Q9450 Yorkfield 2.66GHZ 1333FSB 12M C-1 95W (models)	45C7740	N
2	Microprocessor, Q9300 Yorkfield 2.50GHZ 1333FSB 6M M-1 95W (models)	45C7741	N
3	Memory module, 512MB PC2-5300 (667MHz) DDR2 SDRAM (models)	41X4255	1
3	Memory module, 1GB PC2-5300 (667MHz) DDR2 SDRAM (models)	41X4256	1
3	Memory module, 2GB PC2-5300 (667MHz) DDR2 SDRAM (models)	41X4257	1
3	Memory module, 512MB PC2-6400 (800MHz) DDR2 SDRAM (models)	41X1079	1
3	Memory module, 1GB PC2-6400 (667MHz) DDR2 SDRAM (models A1V)	41X1080	1
3	Memory module, 2GB PC2-6400 (667MHz) DDR2 SDRAM (models)	41X1081	1
4	Optical drive, DVD-ROM Drive - 16x/48x - SATA Vista & non-Vista (models A1V)	41N3325	1
4	Optical drive, DVD Recordable/CD-RW Rambo 8 - SATA Vista & non-Vista (models)	43C1042	1
4	Optical drive, Blu-ray Recorder / DVD Super Multi (models)	53Y7643	1
5	Floppy Diskette Driver - 3.5" 1.44MB 2 Mode FDD with Bezel and cable Tower (models)	40Y9107	1
5	Floppy Diskette Driver - 3.5" 1.44MB 2 Mode FDD with Bezel and cable Tower (models)	40Y9105	1
6	Power switch / LED assembly (all models)	43N9074	1
7	Speaker, Internal speaker 400mm --optional (all models)	43N9091	1
8	Front audio / USB assembly (all models)	43N9076	1
9	Hard disk drive, SATA 80GB 7200RPM/3Gb/8MB (models A1V)	40Y9035	1
9	Hard disk drive, SATA 250GB 7200RPM/3Gb/8MB (models)	40Y9036	1
9	Hard disk drive, SATA 320GB 7200rpm SATA/8MB (models)	87H4891	1
9	Hard disk drive, SATA 500GB 7200RPM/3Gb/s/8MB (models)	41X5582	1
9	Hard disk drive, 1TB 7200rpm SATA (models)	45C5973	1

Item #	7296 FRUs	FRU#	CRU
9	Hard disk drive, 150G 10K rpm,SATA (models)	46R8893	1
10	System board, Intel G41 MATX(GA) Tower non-AMT (models A1V)	46R8891	N
10	System board, Intel G41 MATX(GA) -NB upgrade (models A1V)	64Y9197	N
11	Rear system fan (all models)	41R6269	2
12	Power supply, 280W Active PFC power supply(Auto sensing) for 10L---Robust,WW,JP (models A1V)	41A9721	2
12	Power supply, 280W 85+ power supply for 10L---Robust,WW,JP (models A1V)	41A9684	2
12	Power supply, ATX 280W 80% power supply;Robust,WW,JP (models A1V)	41A9665	2
12	Power supply, ATX 320W 88% Power supply; WW, Robust,JP (models A1V)	45J9410	2
12	Power supply, 280W Watt ATX Power supply (85plus)-WW, Robust,JP (models A1V)	45J9431	2

The FRUs listed in the following tables are not illustrated.

7296 FRUs	FRU#	CRU
Shield, 5.25 EMC FOR 1st ODD Bay (all models)	41N8080	1
Cable -SATA 457mm (RoHS) for ODD (all models)	43N9013	2
Intrusion Switch Asm Tamdhu 475mm --Optional (all models)	39K5022	2
2st HDD SATA cable, 120mm, 1 latching for Device, RoHS (all models)	41R3328	2
Cable-SATA 250mm (RoHS) for 1st HDD (all models)	43N9012	2
Secondl HDD Bracket Asm for TamdhuIII (all models)	41R6106	1
Temp Sense Cable (6pin 460 mm) (all models)	45J9495	2
Front FAN 2X500G HDD or 500GB+1TB Only (all models)	41R4791	2
FDD Cable-TamdhuIII (all models)	41A7182	2
FDD Cable, 310mm (all modles)	41A7147	2
Card Reader Retainer-TamdhuII (all models)	41R2913	1
No OptiCal Bezel Kit - Tamdhu II (all models)	41N8077	1
Cover (all models)	41N8050	1
I/O Shield - Ace (all models)	41N8053	2
Intrusion Switch asm (all models)	41R6116	2
4 Pin System Fan For Tamdhu2, Apollo (all models)	41R6269	2
HDD TRAY, TAMDHU (all models)	41R6291	1
Asm Chassis Without IBM Mark, Recycle (all models)	43N9415	N
ODD/FDD/Cardreader Retainers, Tamdhu (all models)	43N9351	2
Blank 5.25" Bezel, Recycle (all models)	43N9413	2
ASM BEZEL, WITHOUT IBM MARK, Recycle (all models)	43N9412	1
Cable Clip, FW-6D (all models)	43N9462	2
BATTERY 3V-LITHIUM (models A1V)	45C1566	1
3.5" Convert 2.5" for 150GB 10K rpm HDD (1st HDD bay) (all models)	43N9593	2

7296 Keyboard (Lenovo Preferred Pro USB -- without hub)	FRU#	CRU Tier
US English (models)	41A5289	1

7296 Keyboard (Lenovo Preferred Pro USB -- without hub)	FRU#	CRU Tier
Arabic (models)	41A5290	1
Arabic/French (models)	41A5291	1
Belgian/French (models)	41A5292	1
Belgian/English (models)	41A5293	1
Brazilian Portuguese (models)	41A5294	1
Bulgarian (models)	41A5295	1
Chinese/US (models A1V)	41A5296	1
Czech (models)	41A5297	1
Danish (models)	41A5298	1
Dutch (models)	41A5299	1
French (models)	41A5300	1
French Canadian (models)	41A5301	1
French Canadian (models)	41A5302	1
German (models)	41A5303	1
Greek (models)	41A5304	1
Greek/US (models)	41A5305	1
Hebrew (models)	41A5306	1
Hungarian (models)	41A5307	1
Iceland (models)	41A5308	1
Italian (models)	41A5309	1
Japanese (models)	41A5310	1
Korean (models)	41A5311	1
LA Spanish (models)	41A5312	1
Norwegian (models)	41A5313	1
Polish (models)	41A5314	1
Portuguese (models)	41A5315	1
Romanian (models)	41A5316	1
Romanian (models)	41A5317	1
Russian/Cyrillic (models)	41A5318	1
Serbian/Cyrillic (models)	41A5319	1
Slovak (models)	41A5320	1
Spanish (models)	41A5321	1
Swedish/Finnish (models)	41A5322	1
Swiss (models)	41A5323	1
Thailand (models)	41A5324	1
Turkish (models)	41A5325	1
Turkish (models)	41A5326	1
UK English (models)	41A5327	1
US Euro (models)	41A5328	1
Slovenian (models)	41A5329	1
Arabic(New) (models)	45J4880	1

7296 Keyboard (Lenovo Preferred Pro USB -- without hub)	FRU#	CRU Tier
Lithuanian (models)	45J4896	1
Estonia (models CTO)	51J0059	1

7296 Keyboard (Lenovo Fingerprint Reader USB)	FRU#	CRU Tier
US English (models)	41R0038	1
Arabic (models)	41R0039	1
Arabic/French (models)	41R0040	1
Belgian/French (models)	41R0041	1
Belgian/English (models)	41R0042	1
Brazilian Portuguese (models)	41R0043	1
Bulgarian (models)	41R0044	1
Chinese/US (models)	41R0045	1
Czech (models)	41R0046	1
Danish (models)	41R0047	1
Dutch (models)	41R0048	1
French (models)	41R0049	1
French Canadian (models)	41R0050	1
French Canadian (models)	41R0051	1
German (models)	41R0052	1
Greek (models)	41R0053	1
Greek/US (models)	41R0054	1
Hebrew (models)	41R0055	1
Hungarian (models)	41R0056	1
Iceland (models)	41R0057	1
Italian (models)	41R0058	1
Japanese (models)	41R0059	1
Korean (models)	41R0060	1
LA Spanish (models)	41R0061	1
Norwegian (models)	41R0062	1
Polish (models)	41R0063	1
Portuguese (models)	41R0064	1
Romanian (models)	41R0065	1
Romanian (models)	41R0066	1
Russian/Cyrillic (models)	41R0067	1
Serbian/Cyrillic (models)	41R0068	1
Slovak (models)	41R0069	1
Spanish (models)	41R0070	1
Swedish/Finnish (models)	41R0071	1
Swiss (models)	41R0072	1
Thailand (models)	41R0073	1
Turkish (models)	41R0074	1

7296 Keyboard (Lenovo Fingerprint Reader USB)	FRU#	CRU Tier
Turkish (models)	41R0075	1
UK English (models)	41R0076	1
US Euro (models)	41R0077	1
Slovenian (models)	41R0078	1

7296 Keyboard (Lenovo Preferred Pro PS/2 Full Size)	FRU#	CRU Tier
US English (models)	41A5039	1
Arabic (models)	41A5040	1
Arabic/French (models)	41A5041	1
Belgian/French (models)	41A5042	1
Belgian/English (models)	41A5043	1
Brazilian Portuguese (models)	41A5044	1
Bulgarian (models)	41A5045	1
Chinese/US (models)	41A5046	1
Czech (models)	41A5047	1
Danish (models)	41A5048	1
Dutch (models)	41A5049	1
French (models)	41A5050	1
French Canadian (models)	41A5051	1
French Canadian (models)	41A5052	1
German (models)	41A5053	1
Greek (models)	41A5054	1
Greek/US (models)	41A5080	1
Hebrew (models)	41A5055	1
Hungarian (models)	41A5056	1
Iceland (models)	41A5057	1
Italian (models)	41A5058	1
Japanese (models)	41A5059	1
Korean (models)	41A5060	1
LA Spanish (models)	41A5061	1
Norwegian (models)	41A5062	1
Polish (models)	41A5063	1
Portuguese (models)	41A5064	1
Romanian (models)	41A5065	1
Russian/Cyrillic (models)	41A5066	1
Serbian/Cyrillic (models)	41A5067	1
Slovak (models)	41R0068	1
Spanish (models)	41R0069	1
Swedish/Finnish (models)	41A5070	1
Swiss (models)	41A5071	1
Thailand (models)	41A5072	1

7296 Keyboard (Lenovo Preferred Pro PS/2 Full Size)	FRU#	CRU Tier
Turkish (models)	41A5073	1
Turkish (models)	41A5074	1
UK English (models)	41A5075	1
US Euro (models)	41A5076	1
Slovenian (models)	41A5077	1

7296 mice	FRU#	CRU
Optical Wheel Mouse (400DPI, USB) (models A1V)	41U3013	1
Optical Wheel Mouse (400DPI, USB) (models A1V)	41U3030	1
PS/2 2 Button Ball Mouse (models)	41R0018	1

7296 Adapters and miscellaneous FRUs	FRU#	CRU
Internal 20 in 1 USB Memory Card Reader(Tower) (models)	45R8139	1
IEEE 1394 Firewire Adapter SFF (ROCKYS) (models)	41D2781	1
Speaker Power brick - US, Canada, LA low voltage, ASEAN (models)	89P8571	1
Speaker Power brick - LA high voltage (non-APU) (models)	89P8575	1
Soft Modem V.90/V.44 ATX (TOWER) (models)	46R4220	1
Speaker Power brick - SIMPLIFIED -CHN, Thailand EMEA (models)	89P8581	1
Speaker Power brick - JAPANESE (models)	89P8577	1
Speaker Power brick - Brazil (models)	89P8583	1
Speaker Power brick - Argentina (models)	41A4901	1
Speaker Power brick - ANZ (models)	89P8579	1
Speaker Power brick - KOREA (models)	41A4903	1
Speaker Power brick - HONG KONG, EMEA,IRELAND (models)	89P8573	1
Speaker Power brick -TAIWAN-TC (models A1V)	41A4905	1
Speaker Power brick - INDIA, South Africa (models)	89P8585	1
2-pc external speaker--primary (models)	41A5331	1
2-pc external speaker-secondary (models)	41A5334	1
DVI-I(M)-VGA(F) cord (models)	41R3342	1
ATI HD3470 GDDR3 256MB - VGA+DP (models)	46R1521	1
ADD2 DVI-D Adapter, (HDCP) DVD-D connection Adapter Low Profile(Silicon Image) (models)	43C0258	1
ADD2 DVI-D Adapter, (HDCP) DVD-D connection Adapter Low Profile(Silicon Image) (models)	43C0258	1
DisplayPort to DVI-D Dongle (models)	43N9160	1
DisplayPort to VGA Dongle (models)	45J9524	1
Modem phone cable (models)	39K5120	1
LI300mm Rear USB 2Ports II HP® (Tower) (models)	42Y8005	2
LI350mm Rear Com2 cable II mini® (Tower) (models)	41R8548	2
Nvidia G100 DDR2 256MB ATX - DVI-I+VGA (models)	53Y9249	1

7296 Line Cords	FRU#	CRU
Line cord - US (models)	41R3184	1
Line cord - US (models)	41R3185	1
Line cord - China (models)	41R3256	1
Line cord - China (models)	41R3257	1
Line cord - Japanese and Japanese English (models)	41R3248	1
Line cord - Japanese and Japanese English (models)	41R3249	1
Line cord - Brazil (models)	41R3270	1
Line cord - Brazil (models)	41R3271	1
Line cord - LA High Volt APU (models)	41R3176	1
Line Cord - LA High Volt APU (models)	41R3177	1
Line cord - ANZ (models)	41R3196	1
Line cord - ANZ (models)	41R3197	1
Line Cord - Korea (models)	41R3260	1
Line Cord - Korea (models)	41R3261	1
Line Cord - UK, Ireland, Singapore, Malaysia, Brunei (models)	41R3224	1
Line Cord - UK, Ireland, Singapore, Malaysia, Brunei (models)	41R3225	1
Line Cord - Taiwan (models A1V)	41R3278	1
Line Cord - Taiwan (models A1V)	41R3279	1
Line Cord - Italy (models)	41R3232	1
Line Cord - Italy (models)	41R3233	1
Line Cord - Indonesia, Laos, Cambodia, and Vietnam (models)	41R3208	1
Line Cord - Indonesia, Laos, Cambodia, and Vietnam (models)	41R3209	1
Line Cord - Denmark (models)	41R3212	1
Line Cord - Denmark (models)	41R3213	1
Line Cord - Switzerland (models)	41R3228	1
Line Cord - Switzerland (models)	41R3229	1
Line Cord - Israel (models)	41R3236	1
Line Cord - Israel (models)	41R3237	1
Line Cord - South Africa (models)	41R3220	1
Line Cord - South Africa (models)	41R3221	1
Line Cord - India (models)	41R3341	1
Line Cord - India (models)	41R3175	1
Line Cord - Thailand (models)	43N9029	1
Line Cord - Thailand (models)	43N9030	1
Line Cord - Y cable for Brazil (models)	43N9044	1

7296 Windows XP Pro Recovery CDs	FRU#	CRU
Dutch (models)	63Y8807	1
Hebrew (models)	63Y8810	1
Portuguese (models)	63Y8818	1
Russian English (models)	63Y8814	1

7296 Windows XP Pro Recovery CDs	FRU#	CRU
Hungarian (models)	63Y8816	1
Czech (models)	63Y8808	1
Turkish (models)	63Y8815	1
Greek (models)	63Y8817	1
Slovenian (models)	63Y8819	1
Korea (models)	63Y8823	1
US English (models)	64Y5615	1
French (models)	64Y5616	1
German (models)	64Y5617	1
Italian (models)	64Y5647	1
Brazilian Portuguese (models)	64Y5646	1
Spanish (models)	64Y5645	1
Danish (models)	64Y5736	1
Arabic (models)	64Y5739	1
Swedish (models)	64Y5735	1
Finnish (models)	64Y5737	1
Norwegian (models)	64Y5734	1
Polish (models)	64Y5738	1
Russian (models)	64Y5740	1
Japanese (models)	64Y6078	1
Simplified Chinese (models)	64Y5741	1
Traditional Chinese (models)	64Y5742	1
Hong Kong (models)	64Y5743	1

7296 Vista Home Basic 32 Recovery DVDs	FRU#	CRU
English (models)	64Y2512	1
French (models)	64Y2514	1
German (models)	64Y2515	1
Spanish (models)	64Y2516	1
Brazilian Portuguese (models)	64Y2517	1
Italian (models)	64Y2518	1
Japanese (models)	64Y6083	1
Dutch (models)	64Y2532	1
Czech (models)	64Y2519	1
Polish (models)	64Y2520	1
Russian (models)	64Y2521	1
Turkish (models)	64Y2522	1
Hungarian (models)	64Y2523	1
Greek (models)	64Y2524	1
Portuguese (models)	64Y2535	1
Simplified Chinese (models)	64Y2526	1

7296 Vista Home Basic 32 Recovery DVDs	FRU#	CRU
Hong Kong (models)	64Y2528	1
Traditional Chinese (models)	64Y2527	1
Korean (models)	64Y2529	1
Slovenian (models)	64Y2530	1
Russian English (models)	64Y2513	1
Hebrew (models)	64Y2533	1
Arabic enabled (models)	64Y2531	1
Slovakian (models)	64Y2537	1
Romanian (models)	64Y2534	1
Serbian-Latin (models)	64Y2536	1
Miami MUL DVD P/Ns Vista Home Basic 32 C&L 1 Nordics (English DK Fi No SV) (models)	64Y2538	1
Miami MUL DVD P/Ns Vista Home Basic 32 C&L 2 Switzerland (English FR GR IT) (models)	64Y2539	1
Miami MUL DVD P/Ns Vista Home Basic 32 C&L 3 Bel Lux (English FR GR NL) (models)	64Y2540	1

7296 Vista Business 32 Recovery DVDs	FRU#	CRU
English (models)	64Y2425	1
French (models)	64Y2427	1
German (models)	64Y2428	1
Spanish (models)	64Y2429	1
Brazilian (models)	64Y2430	1
Italian (models)	64Y2432	1
Japanese (models)	64Y6081	1
Dutch (models)	64Y2445	1
Czech (models)	64Y2432	1
Polish (models)	64Y2433	1
Russian (models)	64Y2434	1
Turkish (models)	64Y2435	1
Hungarian (models)	64Y2436	1
Greek (models)	64Y2437	1
Portuguese (models)	64Y2448	1
Simplified Chinese (models)	64Y2439	1
Traditional Chinese (models A1V)	64Y2440	1
Hong Kong (models)	64Y2441	1
Korean (models)	64Y2442	1
Slovenian (models)	64Y2443	1
Russian English (models)	64Y2426	1
Romanian (models)	64Y2447	1
Sebian-Latin (models)	64Y2449	1
Slovakian (models)	64Y2450	1

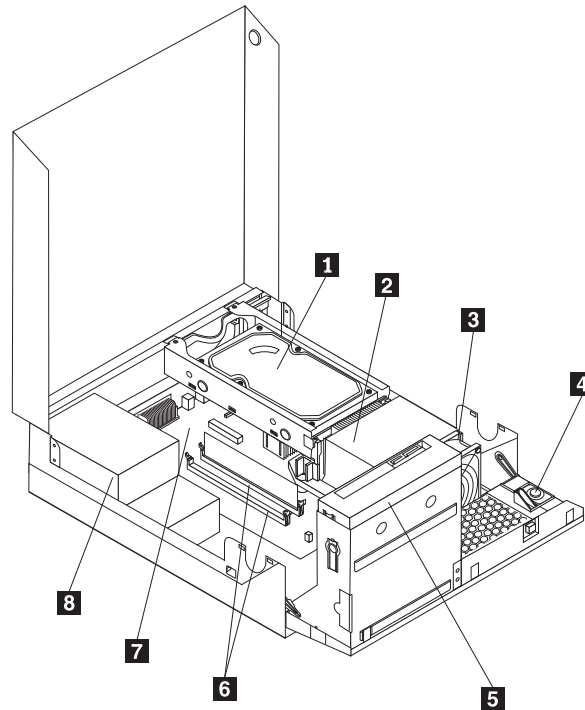
7296 Vista Business 32 Recovery DVDs	FRU#	CRU
Arabic enabled (models)	64Y2444	1
Hebrew (models)	64Y2446	1
Miami MUL DVD P/Ns VB32 C&L1 Nordics (English DK FI NO SV) (models)	64Y2451	1
Miami MUL DVD P/Ns VB32 C&L 2 Switzerland (English FR GR IT) (models)	64Y2452	1
Miami MUL DVD P/Ns VB32 C&L3 Bel Lux (English FR GR NL) (models)	64Y2453	1

7296 Vista VHP 32 Recovery DVDs	FRU#	CRU
English (models)	64Y2541	1
French (models)	64Y2542	1
German (models)	64Y2543	1
Spanish (models)	64Y2544	1
Italian (models)	64Y2546	1
Japanese (models)	64Y6084	1
Hong Kong (models)	64Y2548	1
Korean (models)	64Y2545	1
Miami MUL DVD P/Ns VHP32 C&L1 Nordics (English DK FI NO SV) (models)	64Y2549	1
Miami MUL DVD P/Ns VHP32 C&L 2 Switzerland (English FR GR IT) (models)	64Y2550	1
Miami MUL DVD P/Ns VHP32 C&L3 Bel Lux (English FR GR NL) (models)	64Y2551	1

7296 Vista Business 64 Recovery CDs	FRU#	CRU
English (models)	64Y2561	1
French (models)	64Y2562	1
German (models)	64Y2563	1
Japanese (models)	64Y6086	1
Simplified Chinese (models)	64Y2565	1

7296 Vista Ultimate 32 Recovery CDs	FRU#	CRU
English (models)	64Y2552	1
Japanese (models)	64Y6085	1
French (models)	64Y2553	1
German (models)	64Y2554	1
Spanish (models)	64Y2555	1
Italian (models)	64Y2556	1
HongKong (models)	64Y2558	1
Arabic Localized (models)	64Y2559	1
MUL DVD P/Ns VU32 C&L1 Nordics (EN DK FI NO SV) (models)	64Y2560	1

Machine Type 7297



Item #	7297 FRUs	FRU#	CRU
1	Hard disk drive, SATA 80GB 7200RPM/3Gb/8MB (models A1V A2V)	40Y9035	1
1	Hard disk drive, SATA 250GB 7200RPM/3Gb/8MB (models)	40Y9036	1
1	Hard disk drive, SATA 320GB 7200rpm SATA/8MB (models)	87H4891	1
1	Hard disk drive, SATA 500GB 7200RPM/3Gb/s/8MB (models)	41X5582	1
1	Hard disk drive, 1TB 7200rpm SATA (models)	45C5973	1
1	Hard disk drive, 150G 10K rpm,SATA (models)	46R8893	1
2	Microprocessor, E6550 2.33GHZ/1333MHZ/4M G-0 65W (models)	43C3833	N
2	Microprocessor, E8600 3.33GHZ/1333MHZ/6M E0 65W (models)	46R8640	N
2	Microprocessor, E8500 3.16GHz 1333MHz FSB 6M C-0 65W (models)	45C7735	N
2	Microprocessor, E8400 3.0GHz 1333MHz FSB 6M C-0 65W (models)	45C7736	N
2	Microprocessor, E8300 2.83GHz 1333MHz FSB 6M C-0 65W (models)	45C7737	N
2	Microprocessor, E8200 2.66GHz 1333MHz FSB 6M C-0 65W (models)	45C7738	N
2	Microprocessor, E8190 2.66GHz 1333MHz FSB 6M C-0 - NON VT/Vpro 65W (models)	45R2568	N
2	Microprocessor, E7200 2.53GHz 1066MHz FSB 3M M-0 65W (models)	45R8337	N
2	Microprocessor, E7300 2.66GHz 1066MHz FSB 3M M-0 65W (models A1V)	46R1622	N
2	Microprocessor, E7400 2.8GHZ 1066M 3M R0 (ViiV,EIST,EM64T,EDB) 65W (models)	53Y6653	N
2	Microprocessor, E7500 2.93GHZ 1066M 3M R0 (ViiV,EIST,EM64T,EDB) 65W (models)	53Y6654	N
2	Microprocessor, E2160 Conroe-L 1.8GHz 800MHz FSB 1M (models)	43C1968	N
2	Microprocessor, E2180 Conroe-L 2.0GHz 800MHz FSB 1M (models)	45C1773	N

Item #	7297 FRUs	FRU#	CRU
2	Microprocessor, E2200 Conroe-L 2.2GHz 800MHz FSB 1M (models)	45C5349	N
2	Microprocessor, E2220 Conroe-L 2.4GHz 800MHz FSB 1M (models)	45C1774	N
2	Microprocessor, E5200 800MHz 2M M-0 65W, 45nm (models A2V)	46R9512	N
2	Microprocessor, E5300 2.6GHz 800MHz 2MB R0 (EIST,EM64T,EDB) 65W (models)	53Y9049	N
2	Microprocessor, E1600 2.4GHZ/800MHZ/512K - NPI M-0 65W (models)	46R1655	N
2	Microprocessor, E1400 2.0GHz 800MHz FSB 512K - NPI M-0 65W (models)	45R8339	N
2	Microprocessor, E1200 1.6GHZ/800MHZ/512K M-0 65W (models)	45R8341	N
2	Microprocessor, E1500 2.2GHz 800MHz 512KB (EIST,EM64T,EDB) M0 65W (models)	53Y9051	N
2	Microprocessor, Cel-420 Conroe-L 1.6GHz 800MHz FSB 512K (models)	43C3835	N
2	Microprocessor, Cel-430 Conroe-L 1.8GHz 800MHz FSB 512K (models)	43C1964	N
2	Microprocessor, Cel-440 Conroe-L 2.0GHz 800MHz FSB 512K (models)	43C1965	N
2	Microprocessor, Cel-450 2.2GHz 800MHz FSB 512K 35W (models)	46R9514	N
2	Microprocessor, Q9650 3.0GHZ 1333FSB 12MB VT, TXT E-0 95W (models)	46R8642	N
2	Microprocessor, Q9400 2.66GHZ 1333FSB 6MB VT, TXT R-0 95W (models)	46R8644	N
2	Microprocessor, Q8200 2.33GHz 1333FSB 4M M-1 95W (models)	46R9516	N
2	Microprocessor, Q8300 Yorkfield 2.5GHZ,1333MHz,4M R-0 (ViiV,EIST,EM64T,EDB) (models)	53Y6656	N
2	Microprocessor, Q6600 2.4GHZ 1066FSB 8M G-0 Stepping Level, 95W (models)	43C1695	N
2	Microprocessor, Q6700 2.66GHZ 1066FSB 8M G-0 Stepping Level, 95W (models)	43C6309	N
2	Microprocessor, Q9550 2.83GHZ 1333FSB 12M C-1 95W (models)	45C7739	N
2	Microprocessor, Q9450 Yorkfield 2.66GHZ 1333FSB 12M C-1 95W (models)	45C7740	N
2	Microprocessor, Q9300 Yorkfield 2.50GHZ 1333FSB 6M M-1 95W (models)	45C7741	N
3	Heat Sink, 95W heatsink Kit for 607BT, with RM (models)	41R6454	2
3	Heat Sink, 65W heatsink Kit for 607BT, with RM (models)	43N9349	2
4	Speaker, internal speaker 254mm -optional (models)	39K5012	2
5	DVD-ROM Drive - 16x/48x - SATA Vista & non-Vista (models A1V A2V)	41N3325	1
5	DVD Recordable/CD-RW Rambo 8 - SATA Vista & non-Vista (models)	43C1042	1
6	Memory module, 512MB PC2-5300 (667MHz) DDR2 SDRAM (models)	41X4255	1
6	Memory module, 1GB PC2-5300 (667MHz) DDR2 SDRAM (models)	41X4256	1
6	Memory module, 2GB PC2-5300 (667MHz) DDR2 SDRAM (models)	41X4257	1
6	Memory module, 512MB PC2-6400 (800MHz) DDR2 SDRAM (models)	41X1079	1
6	Memory module, 1GB PC2-6400 (667MHz) DDR2 SDRAM (models A1V A2V)	41X1080	1
6	Memory module, 2GB PC2-6400 (667MHz) DDR2 SDRAM (models)	41X1081	1
7	System board, Intel G41 BTX(GA) SFF non-AMT (models A1V A2V)	46R8892	N
7	System board, Intel G41 BTX(GA) -NB upgrade (models A1V A2V)	64Y9198	N
8	Power supply, 280W Active PFC power supply(Auto sensing) for 10L---Robust,WW,JP (models A1V A2V)	41A9701	N
8	Power supply, 280W 85+ power supply for 10L---Robust,WW,JP (models A1V A2V)	41A9742	N
8	Power supply, 280W Active PFC power supply(Auto sensing) for 10L---Robust,WW,JP (models A1V A2V)	45J9418	N

Item #	7297 FRUs	FRU#	CRU
8	Power supply, 280W 85+ power supply for 10L---Robust,WW,JP (models A1V A2V)	45J9423	N

The FRUs listed in the following tables are not illustrated.

7297 FRUs	FRU#	CRU
Cabel, SATA 700mm (RoHS) for ODD / 2st HDD (all models)	43N9011	2
C2 Intrusion Switch 260mm (all models)	43N9080	2
Rear IO shield BTX (all models)	41R6381	2
Temp Sense Cable (165 mm) (all models)	43N9079	N
Universal Adapter Bracket 5.25 to 3.5 W/Bezel, 607BT (all models)	43N9584	2
Vertical Stand, recycle resin (all models)	43N9585	2
Air Deflector, recycle resin, milan (all models)	43N9610	1
Cable,Luxshare,LED/switch cable R(nonPCB 220mm 10L) for Milan (all models)	43N9075	2
607BT Optical Bezel Asm (all models)	43N9589	2
607BT,NO ODD, Blank Bezel, Plastic (all models)	43N9590	1
Cardreader Bezel, Milan/607BT (all models)	43N9591	1
Non-Cardreader Bezel, Milan/607BT (all models)	43N9592	1
HDD TRAY ASM (all models)	43N9595	1
FRONTCAGE ASM (all models)	43N9596	1
Chassis for Miami (all models)	43N9650	N
Cable,Front I_O cable_R(10L_U380_A550)_ESD (all models)	45J9509	N
Models with 3.5" Convert 2.5" for 150GB 10K rpm HDD (1st HDD bay) (all models)	43N9645	2
Cable-SATA 250mm (RoHS) for 1st HDD (all models)	43N9012	2
BATTERY 3V-LITHIUM (models A1V A2V)	45C1566	1

7297 Keyboard (Lenovo Preferred Pro USB -- without hub)	FRU#	CRU Tier
US English (models)	41A5289	1
Arabic (models)	41A5290	1
Arabic/French (models)	41A5291	1
Belgian/French (models)	41A5292	1
Belgian/English (models)	41A5293	1
Brazilian Portuguese (models)	41A5294	1
Bulgarian (models)	41A5295	1
Chinese/US (models A1V A2V)	41A5296	1
Czech (models)	41A5297	1
Danish (models)	41A5298	1
Dutch (models)	41A5299	1
French (models)	41A5300	1
French Canadian (models)	41A5301	1
French Canadian (models)	41A5302	1

7297 Keyboard (Lenovo Preferred Pro USB -- without hub)	FRU#	CRU Tier
German (models)	41A5303	1
Greek (models)	41A5304	1
Greek/US (models)	41A5305	1
Hebrew (models)	41A5306	1
Hungarian (models)	41A5307	1
Iceland (models)	41A5308	1
Italian (models)	41A5309	1
Japanese (models)	41A5310	1
Korean (models)	41A5311	1
LA Spanish (models)	41A5312	1
Norwegian (models)	41A5313	1
Polish (models)	41A5314	1
Portuguese (models)	41A5315	1
Romanian (models)	41A5316	1
Romanian (models)	41A5317	1
Russian/Cyrillic (models)	41A5318	1
Serbian/Cyrillic (models)	41A5319	1
Slovak (models)	41A5320	1
Spanish (models)	41A5321	1
Swedish/Finnish (models)	41A5322	1
Swiss (models)	41A5323	1
Thailand (models)	41A5324	1
Turkish (models)	41A5325	1
Turkish (models)	41A5326	1
UK English (models)	41A5327	1
US Euro (models)	41A5328	1
Slovenian (models)	41A5329	1
Arabic(New) (models)	45J4880	1
Lithuanian (models)	45J4896	1

7297 Keyboard (Lenovo Fingerprint Reader USB)	FRU#	CRU Tier
US English (models)	41R0038	1
Arabic (models)	41R0039	1
Arabic/French (models)	41R0040	1
Belgian/French (models)	41R0041	1
Belgian/English (models)	41R0042	1
Brazilian Portuguese (models)	41R0043	1
Bulgarian (models)	41R0044	1
Chinese/US (models)	41R0045	1
Czech (models)	41R0046	1
Danish (models)	41R0047	1

7297 Keyboard (Lenovo Fingerprint Reader USB)	FRU#	CRU Tier
Dutch (models)	41R0048	1
French (models)	41R0049	1
French Canadian (models)	41R0050	1
French Canadian (models)	41R0051	1
German (models)	41R0052	1
Greek (models)	41R0053	1
Greek/US (models)	41R0054	1
Hebrew (models)	41R0055	1
Hungarian (models)	41R0056	1
Iceland (models)	41R0057	1
Italian (models)	41R0058	1
Japanese (models)	41R0059	1
Korean (models)	41R0060	1
LA Spanish (models)	41R0061	1
Norwegian (models)	41R0062	1
Polish (models)	41R0063	1
Portuguese (models)	41R0064	1
Romanian (models)	41R0065	1
Romanian (models)	41R0066	1
Russian/Cyrillic (models)	41R0067	1
Serbian/Cyrillic (models)	41R0068	1
Slovak (models)	41R0069	1
Spanish (models)	41R0070	1
Swedish/Finnish (models)	41R0071	1
Swiss (models)	41R0072	1
Thailand (models)	41R0073	1
Turkish (models)	41R0074	1
Turkish (models)	41R0075	1
UK English (models)	41R0076	1
US Euro (models)	41R0077	1
Slovenian (models)	41R0078	1

7297 Keyboard (Lenovo Preferred Pro PS/2 Full Size)	FRU#	CRU Tier
US English (models)	41A5039	1
Arabic (models)	41A5040	1
Arabic/French (models)	41A5041	1
Belgian/French (models)	41A5042	1
Belgian/English (models)	41A5043	1
Brazilian Portuguese (models)	41A5044	1
Bulgarian (models)	41A5045	1
Chinese/US (models)	41A5046	1

7297 Keyboard (Lenovo Preferred Pro PS/2 Full Size)	FRU#	CRU Tier
Czech (models)	41A5047	1
Danish (models)	41A5048	1
Dutch (models)	41A5049	1
French (models)	41A5050	1
French Canadian (models)	41A5051	1
French Canadian (models)	41A5052	1
German (models)	41A5053	1
Greek (models)	41A5054	1
Greek/US (models)	41A5080	1
Hebrew (models)	41A5055	1
Hungarian (models)	41A5056	1
Iceland (models)	41A5057	1
Italian (models)	41A5058	1
Japanese (models)	41A5059	1
Korean (models)	41A5060	1
LA Spanish (models)	41A5061	1
Norwegian (models)	41A5062	1
Polish (models)	41A5063	1
Portuguese (models)	41A5064	1
Romanian (models)	41A5065	1
Russian/Cyrillic (models)	41A5066	1
Serbian/Cyrillic (models)	41A5067	1
Slovak (models)	41R0068	1
Spanish (models)	41R0069	1
Swedish/Finnish (models)	41A5070	1
Swiss (models)	41A5071	1
Thailand (models)	41A5072	1
Turkish (models)	41A5073	1
Turkish (models)	41A5074	1
UK English (models)	41A5075	1
US Euro (models)	41A5076	1
Slovenian (models)	41A5077	1

7297 mice	FRU#	CRU
Optical Wheel Mouse (400DPI, USB) (models A1V A2V)	41U3013	1
Optical Wheel Mouse (400DPI, USB) (models A1V A2V)	41U3030	1
PS/2 2 Button Ball Mouse (models)	41R0018	1

7297 Adapters and miscellaneous FRUs	FRU#	CRU
Internal USB 20 in 1 Memory Card Reader Slim SFF (models)	46R1529	1
IEEE 1394 Firewire Adapter SFF (ROCKYS) (models)	41D2781	1

7297 Adapters and miscellaneous FRUs	FRU#	CRU
Soft Modem V.90/V.44 SFF (ROCKYS) (models)	29R9729	1
Speaker Power brick - US, Canada, LA low voltage, ASEAN (models)	89P8571	1
Speaker Power brick - LA high voltage (non-APU) (models)	89P8575	1
Speaker Power brick - SIMPLIFIED -CHN, Thailand EMEA (models)	89P8581	1
Speaker Power brick - JAPANESE (models)	89P8577	1
Speaker Power brick - Brazil (models)	89P8583	1
Speaker Power brick - Argentina (models)	41A4901	1
Speaker Power brick - ANZ (models)	89P8579	1
Speaker Power brick - KOREA (models)	41A4903	1
Speaker Power brick - HONG KONG, EMEA,IRELAND (models)	89P8573	1
Speaker Power brick -TAIWAN-TC (models A1V A2V)	41A4905	1
Speaker Power brick - INDIA, South Africa (models)	89P8585	1
2-pc external speaker--primary (models)	41A5331	1
2-pc external speaker-secondary (models)	41A5334	1
DVI-I(M)-VGA(F) cord (models)	41R3342	1
ATI HD3470 GDDR3 256MB - VGA+DP (models)	46R1521	1
ADD2 DVI-D Adapter, (HDCP) DVD-D connection Adapter Low Profile (Silicon Image) (models)	43C0258	1
DisplayPort to DVI-D Dongle (models)	43N9160	1
DisplayPort to VGA Dongle (models)	45J9524	1
Modem phone cable (models)	39K5120	1
LI140mm Rear Com2 cable II mini [®] SFF (models)	43N9062	2
Rear USB 2Ports II LP [®] 350mm (modles)	43N9124	2
Nvidia G100 DDR2 256MB LP - DVI-I (With DVI-I to VGA Dongle) (models)	53Y9341	1

7297 Line Cords	FRU#	CRU
Line cord - US (models)	41R3184	1
Line cord - US (models)	41R3185	1
Line cord - China (models)	41R3256	1
Line cord - China (models)	41R3257	1
Line cord - Japanese and Japanese English (models)	41R3248	1
Line cord - Japanese and Japanese English (models)	41R3249	1
Line cord - Brazil (models)	41R3270	1
Line cord - Brazil (models)	41R3271	1
Line cord - LA High Volt APU (models)	41R3176	1
Line Cord - LA High Volt APU (models)	41R3177	1
Line cord - ANZ (models)	41R3196	1
Line cord - ANZ (models)	41R3197	1
Line Cord - Korea (models)	41R3260	1
Line Cord - Korea (models)	41R3261	1
Line Cord - UK, Ireland, Singapore, Malaysia, Brunei (models)	41R3224	1

7297 Line Cords	FRU#	CRU
Line Cord - UK, Ireland, Singapore, Malaysia, Brunei (models)	41R3225	1
Line Cord - Taiwan (models A1V A2V)	41R3278	1
Line Cord - Taiwan (models A1V A2V)	41R3279	1
Line Cord - Italy (models)	41R3232	1
Line Cord - Italy (models)	41R3233	1
Line Cord - Indonesia, Laos, Cambodia, and Vietnam (models)	41R3208	1
Line Cord - Indonesia, Laos, Cambodia, and Vietnam (models)	41R3209	1
Line Cord - Denmark (models)	41R3212	1
Line Cord - Denmark (models)	41R3213	1
Line Cord - Switzerland (models)	41R3228	1
Line Cord - Switzerland (models)	41R3229	1
Line Cord - Israel (models)	41R3236	1
Line Cord - Israel (models)	41R3237	1
Line Cord - South Africa (models)	41R3220	1
Line Cord - South Africa (models)	41R3221	1
Line Cord - India (models)	41R3341	1
Line Cord - India (models)	41R3175	1
Line Cord - Thailand (models)	43N9029	1
Line Cord - Thailand (models)	43N9030	1
Line Cord - Y cable for Brazil Line Cord - India (models)	43N9044	1

7297 Windows XP Pro Recovery CDs	FRU#	CRU
Dutch (models)	63Y8807	1
Hebrew (models)	63Y8810	1
Portuguese (models)	63Y8818	1
Russian English (models)	63Y8814	1
Hungarian (models)	63Y8816	1
Czech (models)	63Y8808	1
Turkish (models)	63Y8815	1
Greek (models)	63Y8817	1
Slovenian (models)	63Y8819	1
Korea (models)	63Y8823	1
US English (models)	64Y5615	1
French (models)	64Y5616	1
German (models)	64Y5617	1
Italian (models)	64Y5647	1
Brazilian Portuguese (models)	64Y5646	1
Spanish (models)	64Y5645	1
Danish (models)	64Y5736	1
Arabic (models)	64Y5739	1
Swedish (models)	64Y5735	1

7297 Windows XP Pro Recovery CDs	FRU#	CRU
Finnish (models)	64Y5737	1
Norwegian (models)	64Y5734	1
Polish (models)	64Y5738	1
Russian (models)	64Y5740	1
Japanese (models)	64Y6078	1
Simplified Chinese (models)	64Y5741	1
Traditional Chinese (models)	64Y5742	1
Hong Kong (models)	64Y5743	1

7297 Vista Home Basic 32 Recovery DVDs	FRU#	CRU
English (models)	64Y2512	1
French (models)	64Y2514	1
German (models)	64Y2515	1
Spanish (models)	64Y2516	1
Brazilian Portuguese (models)	64Y2517	1
Italian (models)	64Y2518	1
Japanese (models)	64Y2525	1
Dutch (models)	64Y2532	1
Czech (models)	64Y2519	1
Polish (models)	64Y2520	1
Russian (models)	64Y2521	1
Turkish (models)	64Y2522	1
Hungarian (models)	64Y2523	1
Greek (models)	64Y2524	1
Portuguese (models)	64Y2535	1
Simplified Chinese (models)	64Y2526	1
Hongkong (models)	64Y2528	1
Traditional Chinese (models)	64Y2527	1
Korean (models)	64Y2529	1
Slovenian (models)	64Y2530	1
Russian English (models)	64Y2513	1
Hebrew (models)	64Y2533	1
Arabic enabled (models)	64Y2531	1
Slovakian (models)	64Y2537	1
Romanian (models)	64Y2534	1
Serbian-Latin (models)	64Y2536	1
Miami MUL DVD P/Ns Vista Home Basic 32 C&L1 Nordics (English DK Fi No SV) (models)	64Y2538	1
Miami MUL DVD P/Ns Vista Home Basic 32 C&L 2 Switzerland (English FR GR IT) (models)	64Y2539	1
Miami MUL DVD P/Ns Vista Home Basic 32 C&L3 Bel Lux (English FR GR NL) (models)	64Y2540	1

7297 Vista Business 32 Recovery DVDs	FRU#	CRU
English (models)	64Y2425	1
French (models)	64Y2427	1
German (models)	64Y2428	1
Spanish (models)	64Y2429	1
Brazilian (models)	64Y2430	1
Italian (models)	64Y2432	1
Japanese (models)	64Y2438	1
Dutch (models)	64Y2445	1
Czech (models)	64Y2432	1
Polish (models)	64Y2433	1
Russian (models)	64Y2434	1
Turkish (models)	64Y2435	1
Hungarian (models)	64Y2436	1
Greek (models)	64Y2437	1
Portuguese (models)	64Y2448	1
Simplified Chinese (models)	64Y2439	1
Trad Chinese (models A1V A2V)	64Y2440	1
HongKong (models)	64Y2441	1
Korean (models)	64Y2442	1
Slovenian (models)	64Y2443	1
Russian English (models)	64Y2426	1
Romanian (models)	64Y2447	1
Serbian-Latin (models)	64Y2449	1
Slovakian (models)	64Y2450	1
Arabic enabled (models)	64Y2444	1
Hebrew (models)	64Y2446	1
Miami MUL DVD P/Ns VB32 C&L1 Nordics (English DK FI NO SV) (models)	64Y2451	1
Miami MUL DVD P/Ns VB32 C&L 2 Switzerland (English FR GR IT) (models)	64Y2452	1
Miami MUL DVD P/Ns VB32 C&L3 Bel Lux (English FR GR NL) (models)	64Y2453	1

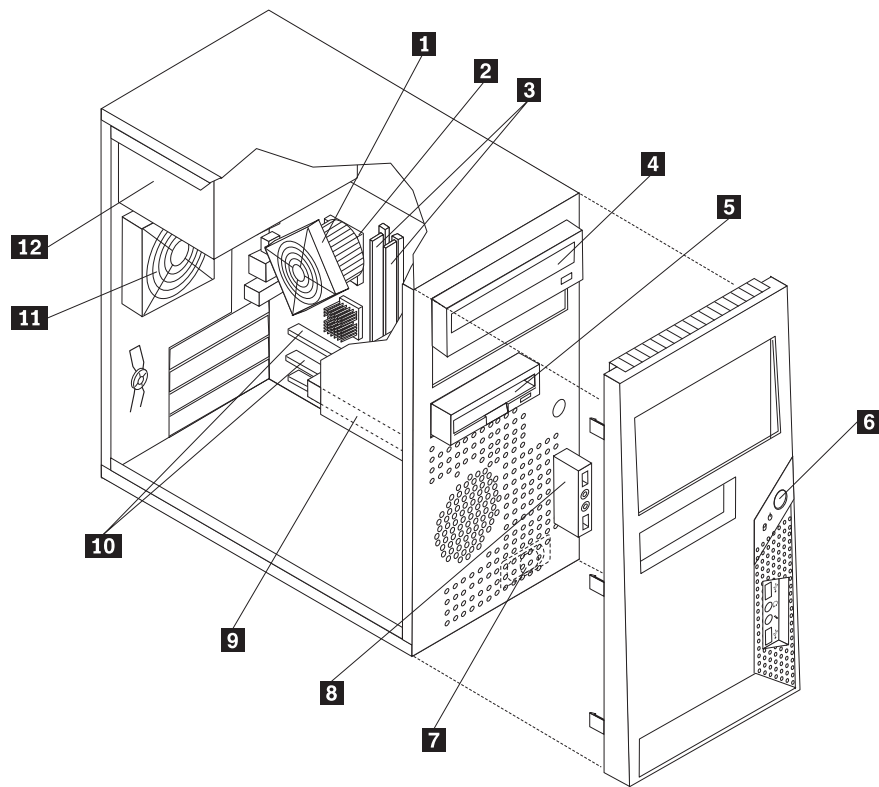
7297 Vista VHP 32 Recovery DVDs	FRU#	CRU
English (models)	64Y2541	1
French (models)	64Y2542	1
German (models)	64Y2543	1
Spanish (models)	64Y2544	1
Italian (models)	64Y2546	1
Japanese (models)	64Y2547	1
Hong Kong (models)	64Y2548	1
Korean (models)	64Y2545	1
Miami MUL DVD P/Ns VHP32 C&L1 Nordics (English DK FI NO SV) (models)	64Y2549	1
Miami MUL DVD P/Ns VHP32 C&L 2 Switzerland (English FR GR IT) (models)	64Y2550	1

7297 Vista VHP 32 Recovery DVDs	FRU#	CRU
Miami MUL DVD P/Ns VHP32 C&L3 Bel Lux (English FR GR NL) (models)	64Y2551	1

7297 Vista Business 64 Recovery CDs	FRU#	CRU
English (models)	64Y2561	1
French (models)	64Y2562	1
German (models)	64Y2563	1
Japanese (models)	64Y2564	1
Simplified Chinese (models)	64Y2565	1

7297 Vista Ultimate 32 Recovery CDs	FRU#	CRU
English (models)	64Y2552	1
Japanese (models)	64Y2557	1
French (models)	64Y2553	1
German (models)	64Y2554	1
Spanish (models)	64Y2555	1
Italian (models)	64Y2556	1
HongKong (models)	64Y2558	1
Arabic Localized (models)	64Y2559	1
MUL DVD P/Ns VU32 C&L1 Nordics (EN DK FI NO SV) (models)	64Y2560	1

Machine Type 7298



Item #	7298 FRUs	FRU#	CRU
1	Heat Sink, Intel 95W/65W Heatsink (all models)	43N9409	2
1	Heat Sink, Intel 65W Heatsink (all models)	43N9708	2
2	Microprocessor, E6550 2.33GHZ/1333MHZ/4M G-0 65W (models)	43C3833	N
2	Microprocessor, E8600 3.33GHZ/1333MHZ/6M E0 65W (models)	46R8640	N
2	Microprocessor, E8500 3.16GHz 1333MHz FSB 6M C-0 65W (models A6S A6D A6Y A6M A6A A6Q A6T A6K B4G C9U C9F D2U D2F E9S E9D E9Y)	45C7735	N
2	Microprocessor, E8400 3.0GHz 1333MHz FSB 6M C-0 65W (models C1V B8S B8D B8Y C8U C8F D1U D1F F1S F1D F1Y)	45C7736	N
2	Microprocessor, E8300 2.83GHz 1333MHz FSB 6M C-0 65W (models)	45C7737	N
2	Microprocessor, E8200 2.66GHz 1333MHz FSB 6M C-0 65W (models)	45C7738	N
2	Microprocessor, E8190 2.66GHz 1333MHz FSB 6M C-0 - NON VT/Vpro 65W (models)	45R2568	N
2	Microprocessor, E7200 2.53GHz 1066MHz FSB 3M M-0 65W (models)	45R8337	N
2	Microprocessor, E7300 2.66GHz 1066MHz FSB 3M M-0 65W (models A4A A4Q A4T A5M A5A A5Q A5T A5K F5M F5A F5Q F5T F5K F6A F6Q F6T F7M F7A F7Q F7T F7K B3G)	46R1622	N
2	Microprocessor, E7400 2.8GHZ 1066M 3M R0 (ViiV,EIST,EM64T,EDB) 65W (models D9M D9A D9Q D9T D9K E1S E1D E1Y E1M E1A E1Q E1T E1K E2A E2Q E2T B9G C5U C5F C6U C6F E7S E7D E7Y)	53Y6653	N
2	Microprocessor, E7500 2.93GHZ 1066M 3M R0 (ViiV,EIST,EM64T,EDB) 65W (models G9A G9T H4G H4H H5G H6U H6F H7U H7F)	53Y6654	N
2	Microprocessor, E2160 Conroe-L 1.8GHz 800MHz FSB 1M (models)	43C1968	N

Item #	7298 FRUs	FRU#	CRU
2	Microprocessor, E2180 Conroe-L 2.0GHz 800MHz FSB 1M (models)	45C1773	N
2	Microprocessor, E2200 Conroe-L 2.2GHz 800MHz FSB 1M (models)	45C5349	N
2	Microprocessor, E2220 Conroe-L 2.4GHz 800MHz FSB 1M (models)	45C1774	N
2	Microprocessor, E5200 800MHz 2M M-0 65W, 45nm (models)	46R9512	N
2	Microprocessor, E5300 2.6GHz 800MHz 2MB R0 (EIST,EM64T,EDB) 65W (models C3U C3F C4U C4F D4S D4D D4Y D5S D5D D5Y)	53Y9049	N
2	Microprocessor, E1600 2.4GHZ/800MHZ/512K - NPI M-0 65W (models)	46R1655	N
2	Microprocessor, E1400 2.0GHz 800MHz FSB 512K - NPI M-0 65W (models D6A D6Q D6T D7M D7A D7Q D7T D7K A9G)	45R8339	N
2	Microprocessor, E1200 1.6GHZ/800MHZ/512K M-0 65W (models)	45R8341	N
2	Microprocessor, E1500 2.2GHz 800MHz 512KB (EIST,EM64T,EDB) M0 65W (models G3A G3T G4A G5G G5A G5T)	53Y9051	N
2	Microprocessor, Cel-420 Conroe-L 1.6GHz 800MHz FSB 512K (models)	43C3835	N
2	Microprocessor, Cel-430 Conroe-L 1.8GHz 800MHz FSB 512K (models)	43C1964	N
2	Microprocessor, Cel-440 Conroe-L 2.0GHz 800MHz FSB 512K (models)	43C1965	N
2	Microprocessor, Cel-450 2.2GHz 800MHz FSB 512K 35W (models)	46R9514	N
2	Microprocessor, Q9650 3.0GHZ 1333FSB 12MB VT, TXT E-0 95W (models)	46R8642	N
2	Microprocessor, Q9400 2.66GHZ 1333FSB 6MB VT, TXT R-0 95W (models E6M E6A E6Q E6T E6K)	46R8644	N
2	Microprocessor, Q8200 2.33GHz 1333FSB 4M M-1 95W (models A7M A7A A7Q A7T A7K A8A A8Q A8T B5G)	46R9516	N
2	Microprocessor, Q8300 Yorkfield 2.5GHZ,1333MHz,4M R-0 (ViiV,EIST,EM64T,EDB) (models)	53Y6656	N
2	Microprocessor, Q6600 2.4GHZ 1066FSB 8M G-0 Stepping Level, 95W (models)	43C1695	N
2	Microprocessor, Q6700 2.66GHZ 1066FSB 8M G-0 Stepping Level, 95W (models)	43C6309	N
2	Microprocessor, Q9550 2.83GHZ 1333FSB 12M C-1 95W (models)	45C7739	N
2	Microprocessor, Q9450 Yorkfield 2.66GHZ 1333FSB 12M C-1 95W (models)	45C7740	N
2	Microprocessor, Q9300 Yorkfield 2.50GHZ 1333FSB 6M M-1 95W (models)	45C7741	N
3	Memory module, 512MB PC2-5300 (667MHz) DDR2 SDRAM (models)	41X4255	1
3	Memory module, 1GB PC2-5300 (667MHz) DDR2 SDRAM (models)	41X4256	1
3	Memory module, 2GB PC2-5300 (667MHz) DDR2 SDRAM (models)	41X4257	1
3	Memory module, 512MB PC2-6400 (800MHz) DDR2 SDRAM (models)	41X1079	1
3	Memory module, 1GB PC2-6400 (667MHz) DDR2 SDRAM (models G3A G3T G4A G5G G5A G5T G6A G6T G7A G7T G8A G8T G9A G9T H1A H1T H2A H2T H6U H6F)	41X1080	1
3	Memory module, 2GB PC2-6400 (667MHz) DDR2 SDRAM (models H3G H4G H4H H5G H7U H7F)	41X1081	1
4	Optical drive, DVD-ROM Drive - 16x/48x - SATA Vista & non-Vista (models G3A G3T G6A G6T G9A G9T H1A H1T H2A H2T H6U H6F)	41N3325	1
4	Optical drive, DVD Recordable/CD-RW Rambo 8 - SATA Vista & non-Vista (models G4A G5G G5A G5T G7A G7T G8A G8T H3G H4G H4H H5G H7U H7F)	43C1042	1
4	Optical drive, Blu-ray Recorder / DVD Super Multi (models)	53Y7643	1
5	Floppy Diskette Driver - 3.5" 1.44MB 2 Mode FDD with Bezel and cable Tower (models)	40Y9107	1

Item #	7298 FRUs	FRU#	CRU
5	Floppy Diskette Driver - 3.5" 1.44MB 2 Mode FDD with Bezel and cable Tower (models)	40Y9105	1
6	Power switch / LED assembly (all models)	43N9074	1
7	Speaker, Internal speaker 400mm --optional (all models)	43N9091	1
8	Front audio / USB assembly (all models)	43N9076	1
9	Hard disk drive, SATA 80GB 7200RPM/3Gb/8MB (models G3A G3T G4A G5G G5A G5T G6A G6T G7A G7T G8A G8T G9A G9T H1A H1T H2A H2T H6U H6F)	40Y9035	1
9	Hard disk drive, SATA 250GB 7200RPM/3Gb/8MB (models H3G H4G H4H H7U H7F)	40Y9036	1
9	Hard disk drive, SATA 320GB 7200rpm SATA/8MB (models H5G)	87H4891	1
9	Hard disk drive, SATA 500GB 7200RPM/3Gb/s/8MB (models)	41X5582	1
9	Hard disk drive, 1TB 7200rpm SATA (models)	45C5973	1
9	Hard disk drive, 150G 10K rpm,SATA (models)	46R8893	1
10	System board, Intel G41 MATX(GA) Tower non-AMT (models G3A G3T G4A G5G G5A G5T G6A G6T G7A G7T G8A G8T G9A G9T H1A H1T H2A H2T H3G H4G H4H H5G H6U H6F H7U H7F)	46R8891	N
10	System board, Intel G41 MATX(GA) -NB upgrade (models G3A G3T G4A G5G G5A G5T G6A G6T G7A G7T G8A G8T G9A G9T H1A H1T H2A H2T H3G H4G H4H H5G H6U H6F H7U H7F)	64Y9197	N
11	Rear system fan (all models)	41R6269	2
12	Power supply, 280W Active PFC power supply(Auto sensing) for 10L---Robust,WW,JP (models G3A G3T G4A G5G G5A G5T G6A G6T G7A G7T G8A G8T G9A G9T H1A H1T H2A H2T H3G H4G H4H H5G H6U H6F H7U H7F)	41A9721	2
12	Power supply, 280W 85+ power supply for 10L---Robust,WW,JP (models G3A G3T G4A G5G G5A G5T G6A G6T G7A G7T G8A G8T G9A G9T H1A H1T H2A H2T H3G H4G H4H H5G H6U H6F H7U H7F)	41A9684	2
12	Power supply, ATX 280W 80% power supply;Robust,WW,JP (models G3A G3T G4A G5G G5A G5T G6A G6T G7A G7T G8A G8T G9A G9T H1A H1T H2A H2T H3G H4G H4H H5G H6U H6F H7U H7F)	41A9665	2
12	Power supply, ATX 320W 88% Power supply; WW, Robust,JP (models G3A G3T G4A G5G G5A G5T G6A G6T G7A G7T G8A G8T G9A G9T H1A H1T H2A H2T H3G H4G H4H H5G H6U H6F H7U H7F)	45J9410	2
12	Power supply, 280W Watt ATX Power supply (85plus)-WW, Robust,JP (models G3A G3T G4A G5G G5A G5T G6A G6T G7A G7T G8A G8T G9A G9T H1A H1T H2A H2T H3G H4G H4H H5G H6U H6F H7U H7F)	45J9431	2

The FRUs listed in the following tables are not illustrated.

7298 FRUs	FRU#	CRU
Thermal Grease --ShinEtsu 7783D 1g Syringe (all models)	91P8835	N
Shield, 5.25 EMC FOR 1st ODD Bay (all models)	41N8080	1
Cable -SATA 457mm (RoHS) for ODD (all models)	43N9013	2
Intrusion Switch Asm Tamdhu 475mm --Optional (all models)	39K5022	2
2st HDD SATA cable, 120mm, 1 latching for Device, RoHS (all models)	41R3328	2
Cable-SATA 250mm (RoHS) for 1st HDD (all models)	43N9012	2
Secondl HDD Bracket Asm for TamdhuIII (all models)	41R6106	1

7298 FRUs	FRU#	CRU
Temp Sense Cable (6pin 460 mm) (all models)	45J9495	2
Front FAN 2X500G HDD or 500GB+1TB Only (all models)	41R4791	2
FDD Cable-TamdhuIII (all models)	41A7182	2
FDD Cable, 310mm (all modles)	41A7147	2
Card Reader Retainer-TamdhuII (all models)	41R2913	1
No OptiCal Bezel Kit - Tamdhu II (all models)	41N8077	1
Cover (all models)	41N8050	1
I/O Shield - Ace (all models)	41N8053	2
Intrusion Switch asm (all models)	41R6116	2
4 Pin System Fan For Tamdhu2, Apollo (all models)	41R6269	2
HDD TRAY, TAMDHU (all models)	41R6291	1
Asm Chassis Without IBM Mark, Recycle (all models)	43N9415	N
ODD/FDD/Cardreader Retainers, Tamdhu (all models)	43N9351	2
Blank 5.25" Bezel, Recycle (all models)	43N9413	2
ASM BEZEL, WITHOUT IBM MARK, Recycle (all models)	43N9412	1
Cable Clip, FW-6D (all models)	43N9462	2
BATTERY 3V-LITHIUM (models G3A G3T G4A G5G G5A G5T G6A G6T G7A G7T G8A G8T G9A G9T H1A H1T H2A H2T H3G H4G H4H H5G H6U H6F H7U H7F)	45C1566	1
3.5" Convert 2.5" for 150GB 10K rpm HDD (1st HDD bay) (all models)	43N9593	2

7298 Keyboard (Lenovo Preferred Pro USB -- without hub)	FRU#	CRU Tier
US English (models G3A G4A G5G G5A G6A G7A G8A G9A H1A H2A H3G H4G H4H H5G H6U H7U)	41A5289	1
Arabic (models G5G H3G H4G H5G)	41A5290	1
Arabic/French (models G5G H3G H4G H5G)	41A5291	1
Belgian/French (models G5G H3G H4G H5G)	41A5292	1
Belgian/English (models G5G H3G H4G H5G)	41A5293	1
Brazilian Portuguese (models)	41A5294	1
Bulgarian (models G5G H3G H4G H5G)	41A5295	1
Chinese/US (models C1V)	41A5296	1
Czech (models G5G H3G H4G H5G)	41A5297	1
Danish (models G5G H3G H4G H5G)	41A5298	1
Dutch (models G5G H3G H4G H5G)	41A5299	1
French (models G5G H3G H4G H5G)	41A5300	1
French Canadian (models G5G H3G H4G H5G H6F H7F)	41A5301	1
French Canadian (models G5G H3G H4G H5G H6F H7F)	41A5302	1
German (models G5G H3G H4G H5G)	41A5303	1
Greek (models G5G H3G H4G H5G)	41A5304	1
Greek/US (models G5G H3G H4G H5G)	41A5305	1
Hebrew (models G5G H3G H4G H5G)	41A5306	1
Hungarian (models G5G H3G H4G H5G)	41A5307	1

7298 Keyboard (Lenovo Preferred Pro USB -- without hub)	FRU#	CRU Tier
Iceland (models G5G H3G H4G H5G)	41A5308	1
Italian (models G5G H3G H4G H5G)	41A5309	1
Japanese (models)	41A5310	1
Korean (models)	41A5311	1
LA Spanish (models)	41A5312	1
Norwegian (models G5G H3G H4G H5G)	41A5313	1
Polish (models G5G H3G H4G H5G)	41A5314	1
Portuguese (models G5G H3G H4G H5G)	41A5315	1
Romanian (models G5G H3G H4G H5G)	41A5316	1
Romanian (models G5G H3G H4G H5G)	41A5317	1
Russian/Cyrillic (models G5G H3G H4G H5G)	41A5318	1
Serbian/Cyrillic (models G5G H3G H4G H5G)	41A5319	1
Slovak (models G5G H3G H4G H5G)	41A5320	1
Spanish (models G5G H3G H4G H5G)	41A5321	1
Swedish/Finnish (models G5G H3G H4G H5G)	41A5322	1
Swiss (models G5G H3G H4G H5G)	41A5323	1
Thailand (models G3T G5T G6T G7T G8T G9T H1T H2T)	41A5324	1
Turkish (models G5G H3G H4G H5G)	41A5325	1
Turkish (models G5G H3G H4G H5G)	41A5326	1
UK English (models G5G H3G H4G H5G)	41A5327	1
US Euro (models G5G H3G H4G H5G)	41A5328	1
Slovenian (models G5G H3G H4G H5G)	41A5329	1
Arabic(New) (models G5G H3G H4G H5G)	45J4880	1
Lithuanian (models G5G H3G H4G H5G)	45J4896	1

7298 Keyboard (Lenovo Fingerprint Reader USB)	FRU#	CRU Tier
US English (models)	41R0038	1
Arabic (models)	41R0039	1
Arabic/French (models)	41R0040	1
Belgian/French (models)	41R0041	1
Belgian/English (models)	41R0042	1
Brazilian Portuguese (models)	41R0043	1
Bulgarian (models)	41R0044	1
Chinese/US (models)	41R0045	1
Czech (models)	41R0046	1
Danish (models)	41R0047	1
Dutch (models)	41R0048	1
French (models)	41R0049	1
French Canadian (models)	41R0050	1
French Canadian (models)	41R0051	1
German (models)	41R0052	1

7298 Keyboard (Lenovo Fingerprint Reader USB)	FRU#	CRU Tier
Greek (models)	41R0053	1
Greek/US (models)	41R0054	1
Hebrew (models)	41R0055	1
Hungarian (models)	41R0056	1
Iceland (models)	41R0057	1
Italian (models)	41R0058	1
Japanese (models)	41R0059	1
Korean (models)	41R0060	1
LA Spanish (models)	41R0061	1
Norwegian (models)	41R0062	1
Polish (models)	41R0063	1
Portuguese (models)	41R0064	1
Romanian (models)	41R0065	1
Romanian (models)	41R0066	1
Russian/Cyrillic (models)	41R0067	1
Serbian/Cyrillic (models)	41R0068	1
Slovak (models)	41R0069	1
Spanish (models)	41R0070	1
Swedish/Finnish (models)	41R0071	1
Swiss (models)	41R0072	1
Thailand (models)	41R0073	1
Turkish (models)	41R0074	1
Turkish (models)	41R0075	1
UK English (models)	41R0076	1
US Euro (models)	41R0077	1
Slovenian (models)	41R0078	1

7298 Keyboard (Lenovo Preferred Pro PS/2 Full Size)	FRU#	CRU Tier
US English (models)	41A5039	1
Arabic (models)	41A5040	1
Arabic/French (models)	41A5041	1
Belgian/French (models)	41A5042	1
Belgian/English (models)	41A5043	1
Brazilian Portuguese (models)	41A5044	1
Bulgarian (models)	41A5045	1
Chinese/US (models)	41A5046	1
Czech (models)	41A5047	1
Danish (models)	41A5048	1
Dutch (models)	41A5049	1
French (models)	41A5050	1
French Canadian (models)	41A5051	1

7298 Keyboard (Lenovo Preferred Pro PS/2 Full Size)	FRU#	CRU Tier
French Canadian (models)	41A5052	1
German (models)	41A5053	1
Greek (models)	41A5054	1
Greek/US (models)	41A5080	1
Hebrew (models)	41A5055	1
Hungarian (models)	41A5056	1
Iceland (models)	41A5057	1
Italian (models)	41A5058	1
Japanese (models)	41A5059	1
Korean (models)	41A5060	1
LA Spanish (models)	41A5061	1
Norwegian (models)	41A5062	1
Polish (models)	41A5063	1
Portuguese (models)	41A5064	1
Romanian (models)	41A5065	1
Russian/Cyrillic (models)	41A5066	1
Serbian/Cyrillic (models)	41A5067	1
Slovak (models)	41R0068	1
Spanish (models)	41R0069	1
Swedish/Finnish (models)	41A5070	1
Swiss (models)	41A5071	1
Thailand (models)	41A5072	1
Turkish (models)	41A5073	1
Turkish (models)	41A5074	1
UK English (models)	41A5075	1
US Euro (models)	41A5076	1
Slovenian (models)	41A5077	1

7298 mice	FRU#	CRU
Optical Wheel Mouse (400DPI, USB) (models G3A G3T G4A G5G G5A G5T G6A G6T G7A G7T G8A G8T G9A G9T H1A H1T H2A H2T H3G H4G H4H H5G H6U H6F H7U H7F)	41U3013	1
Optical Wheel Mouse (400DPI, USB) (models G3A G3T G4A G5G G5A G5T G6A G6T G7A G7T G8A G8T G9A G9T H1A H1T H2A H2T H3G H4G H4H H5G H6U H6F H7U H7F)	41U3030	1
PS/2 2 Button Ball Mouse (models)	41R0018	1

7298 Adapters and miscellaneous FRUs	FRU#	CRU
Internal 20 in 1 USB Memory Card Reader(Tower) (models)	45R8139	1
IEEE 1394 Firewire Adapter SFF (ROCKYS) (models)	41D2781	1
Dash Marvell Ethernet card ATX Tower (models)	53Y4008	1
Soft Modem V.90/V.44 SFF (ROCKYS) (models)	29R9729	1
Speaker Power brick - US, Canada, LA low voltage, ASEAN (models H6U H7U)	89P8571	1

7298 Adapters and miscellaneous FRUs	FRU#	CRU
Speaker Power brick - LA high voltage (non-APU) (models)	89P8575	1
Speaker Power brick - SIMPLIFIED -CHN, Thailand EMEA (models G5G H3G H4G H5G)	89P8581	1
Speaker Power brick - JAPANESE (models)	89P8577	1
Speaker Power brick - Brazil (models)	89P8583	1
Speaker Power brick - Argentina (models)	41A4901	1
Speaker Power brick - ANZ (models A3M A5M A6M A7M F5M F7M D7M D8M D9M E1M E4M E5M E6M)	89P8579	1
Speaker Power brick - KOREA (models)	41A4903	1
Speaker Power brick - HONG KONG, EMEA,IRELAND (models G5G H3G H4G H5G)	89P8573	1
Speaker Power brick -TAIWAN-TC (models C1V)	41A4905	1
Speaker Power brick - INDIA, South Africa (models A2Q A3Q A4Q A5Q A6Q A7Q A8Q F5Q F6Q F7Q D6Q D7Q D8Q D9Q E1Q E2Q E3Q E4Q E5Q E6Q)	89P8585	1
2-pc external speaker--primary (models)	41A5331	1
2-pc external speaker-secondary (models)	41A5334	1
DVI-I(M)-VGA(F) cord (models)	41R3342	1
Geforce9500GT GDDR3 512MB - towerDVI+HDMI+DP (Tower) (models)	46R1524	1
ATI HD3470 GDDR3 256MB - VGA+DP (models)	46R1521	1
ADD2 DVI-D Adapter, (HDCP) DVD-D connection Adapter Low Profile (Silicon Image) (models)	43C0258	1
DisplayPort to DVI-D Dongle (models)	43N9160	1
DisplayPort to VGA Dongle (models)	45J9524	1
Modem phone cable (models)	39K5120	1
LI300mm Rear USB 2Ports II HP®(Tower) (models)	42Y8005	2
LI350mm Rear Com2 cable II mini® (Tower) (models)	41R8548	2
Nvidia G100 DDR2 256MB ATX - DVI-I+VGA (models)	53Y9249	1

7298 Line Cords	FRU#	CRU
Line cord - US (models G3A G3T G4A G5A G5T G6A G6T G7A G7T G8A G8T G9A G9T H1A H1T H2A H2T H6U H6F H7U H7F)	41R3184	1
Line cord - US (models G3A G3T G4A G5A G5T G6A G6T G7A G7T G8A G8T G9A G9T H1A H1T H2A H2T H6U H6F H7U H7F)	41R3185	1
Line cord - China (models)	41R3256	1
Line cord - China (models)	41R3257	1
Line cord - Japanese and Japanese English (models)	41R3248	1
Line cord - Japanese and Japanese English (models)	41R3249	1
Line cord - Brazil (models)	41R3270	1
Line cord - Brazil (models)	41R3271	1
Line cord - LA High Volt APU (models)	41R3176	1
Line Cord - LA High Volt APU (models)	41R3177	1
Line cord - ANZ (models)	41R3196	1
Line cord - ANZ (models)	41R3197	1
Line Cord - Korea (models)	41R3260	1

7298 Line Cords	FRU#	CRU
Line Cord - Korea (models)	41R3261	1
Line Cord - UK, Ireland, Singapore, Malaysia, Brunei (models H4H)	41R3224	1
Line Cord - UK, Ireland, Singapore, Malaysia, Brunei (models H4H)	41R3225	1
Line Cord - Taiwan (models C1V)	41R3278	1
Line Cord - Taiwan (models C1V)	41R3279	1
Line Cord - Italy (models)	41R3232	1
Line Cord - Italy (models)	41R3233	1
Line Cord - Indonesia, Laos, Cambodia, and Vietnam (models G3A G3T G4A G5A G5T G6A G6T G7A G7T G8A G8T G9A G9T H1A H1T H2A H2T H6U H6F H7U H7F)	41R3208	1
Line Cord - Indonesia, Laos, Cambodia, and Vietnam (models G3A G3T G4A G5A G5T G6A G6T G7A G7T G8A G8T G9A G9T H1A H1T H2A H2T H6U H6F H7U H7F)	41R3209	1
Line Cord - Denmark (models G5G H3G H4G H5G)	41R3212	1
Line Cord - Denmark (models G5G H3G H4G H5G)	41R3213	1
Line Cord - Switzerland (models G5G H3G H4G H5G)	41R3228	1
Line Cord - Switzerland (models G5G H3G H4G H5G)	41R3229	1
Line Cord - Israel (models G5G H3G H4G H5G)	41R3236	1
Line Cord - Israel (models G5G H3G H4G H5G)	41R3237	1
Line Cord - South Africa (models G3A G4A G5G G5A G6A G7A G8A G9A H1A H2A H3G H4G H5G)	41R3220	1
Line Cord - South Africa (models G3A G4A G5G G5A G6A G7A G8A G9A H1A H2A H3G H4G H5G)	41R3221	1
Line Cord - India (models)	41R3341	1
Line Cord - India (models)	41R3175	1
Line Cord - Thailand (models G3T G5T G6T G7T G8T G9T H1T H2T)	43N9029	1
Line Cord - Thailand (models G3T G5T G6T G7T G8T G9T H1T H2T)	43N9030	1
Line Cord - Y cable for Brazil (models)	43N9044	1

7298 Windows XP Pro Recovery CDs	FRU#	CRU
Dutch (models)	63Y8807	1
Hebrew (models)	63Y8810	1
Portuguese (models)	63Y8818	1
Russian English (models)	63Y8814	1
Hungarian (models)	63Y8816	1
Czech (models)	63Y8808	1
Turkish (models)	63Y8815	1
Greek (models)	63Y8817	1
Slovenian (models)	63Y8819	1
Korea (models)	63Y8823	1
US English (models H1A H2A H6U H7U)	64Y5615	1
French (models H6F H7F)	64Y5616	1
German (models)	64Y5617	1
Italian (models)	64Y5647	1

7298 Windows XP Pro Recovery CDs	FRU#	CRU
Brazilian Portuguese (models)	64Y5646	1
Spanish (models)	64Y5645	1
Danish (models)	64Y5736	1
Arabic (models)	64Y5739	1
Swedish (models)	64Y5735	1
Finnish (models)	64Y5737	1
Norwegian (models)	64Y5734	1
Polish (models)	64Y5738	1
Russian (models)	64Y5740	1
Japanese (models)	64Y6078	1
Simplified Chinese (models)	64Y5741	1
Traditional Chinese (models)	64Y5742	1
Hong Kong (models)	64Y5743	1

7298 Vista Home Basic 32 Recovery DVDs	FRU#	CRU
English (models)	64Y2512	1
French (models)	64Y2514	1
German (models)	64Y2515	1
Spanish (models)	64Y2516	1
Brazilian Portuguese (models)	64Y2517	1
Italian (models)	64Y2518	1
Japanese (models)	64Y2525	1
Dutch (models)	64Y2532	1
Czech (models)	64Y2519	1
Polish (models)	64Y2520	1
Russian (models)	64Y2521	1
Turkish (models)	64Y2522	1
Hungarian (models)	64Y2523	1
Greek (models)	64Y2524	1
Portuguese (models)	64Y2535	1
Simplified Chinese (models)	64Y2526	1
Hong Kong (models)	64Y2528	1
Traditional Chinese (models)	64Y2527	1
Korean (models)	64Y2529	1
Slovenian (models)	64Y2530	1
Russian English (models)	64Y2513	1
Hebrew (models)	64Y2533	1
Arabic enabled (models)	64Y2531	1
Slovakian (models)	64Y2537	1
Romanian (models)	64Y2534	1
Serbian-Latin (models)	64Y2536	1

7298 Vista Home Basic 32 Recovery DVDs	FRU#	CRU
Miami MUL DVD P/Ns Vista Home Basic 32 C&L 1 Nordics (English DK Fi No SV) (models)	64Y2538	1
Miami MUL DVD P/Ns Vista Home Basic 32 C&L 2 Switzerland (English FR GR IT) (models)	64Y2539	1
Miami MUL DVD P/Ns Vista Home Basic 32 C&L 3 Bel Lux (English FR GR NL) (models)	64Y2540	1

7298 Vista Business 32 Recovery DVDs	FRU#	CRU
English (models G5G G5A G7A H3G H4G H4H H5G)	64Y2425	1
French (models G5G H3G H4G H5G)	64Y2427	1
German (models G5G H3G H4G H5G)	64Y2428	1
Spanish (models G5G H3G H4G H5G)	64Y2429	1
Brazilian (models)	64Y2430	1
Italian (models G5G H3G H4G H5G)	64Y2432	1
Japanese (models)	64Y2438	1
Dutch (models G5G H3G H4G H5G)	64Y2445	1
Czech (models)	64Y2432	1
Polish (models G5G H3G H4G H5G)	64Y2433	1
Russian (models G5G H3G H4G H5G)	64Y2434	1
Turkish (models G5G H3G H4G H5G)	64Y2435	1
Hungarian (models G5G H3G H4G H5G)	64Y2436	1
Greek (models G5G H3G H4G H5G)	64Y2437	1
Portuguese (models)	64Y2448	1
Simplified Chinese (models)	64Y2439	1
Traditional Chinese (models C1V)	64Y2440	1
Hong Kong (models)	64Y2441	1
Korean (models)	64Y2442	1
Slovenian (models G5G H3G H4G H5G)	64Y2443	1
Russian English (models G5G H3G H4G H5G)	64Y2426	1
Romanian (models G5G H3G H4G H5G)	64Y2447	1
Sebian-Latin (models G5G H3G H4G H5G)	64Y2449	1
Slovakian (models G5G H3G H4G H5G)	64Y2450	1
Arabic enabled (models G5G H3G H4G H5G)	64Y2444	1
Hebrew (models G5G H3G H4G H5G)	64Y2446	1
Miami MUL DVD P/Ns VB32 C&L1 Nordics (English DK FI NO SV) (models B9G A9G B2G B3G B4G B5G)	64Y2451	1
Miami MUL DVD P/Ns VB32 C&L 2 Switzerland (English FR GR IT) (models B9G A9G B2G B3G B4G B5G)	64Y2452	1
Miami MUL DVD P/Ns VB32 C&L3 Bel Lux (English FR GR NL) (models B9G A9G B2G B3G B4G B5G)	64Y2453	1

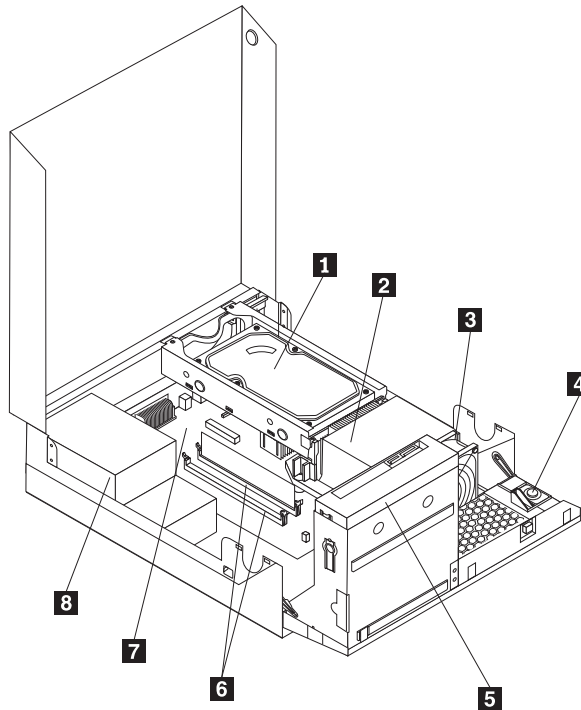
7298 Vista VHP 32 Recovery DVDs	FRU#	CRU
English (models)	64Y2541	1

7298 Vista VHP 32 Recovery DVDs	FRU#	CRU
French (models)	64Y2542	1
German (models)	64Y2543	1
Spanish (models)	64Y2544	1
Italian (models)	64Y2546	1
Japanese (models)	64Y2547	1
Hong Kong (models)	64Y2548	1
Korean (models)	64Y2545	1
Miami MUL DVD P/Ns VHP32 C&L1 Nordics (English DK FI NO SV) (models)	64Y2549	1
Miami MUL DVD P/Ns VHP32 C&L 2 Switzerland (English FR GR IT) (models)	64Y2550	1
Miami MUL DVD P/Ns VHP32 C&L3 Bel Lux (English FR GR NL) (models)	64Y2551	1

7298 Vista Business 64 Recovery CDs	FRU#	CRU
English (models)	64Y2561	1
French (models)	64Y2562	1
German (models)	64Y2563	1
Japanese (models)	64Y2564	1
Simplified Chinese (models)	64Y2565	1

7298 Vista Ultimate 32 Recovery CDs	FRU#	CRU
English (models)	64Y2552	1
Japanese (models)	64Y2557	1
French (models)	64Y2553	1
German (models)	64Y2554	1
Spanish (models)	64Y2555	1
Italian (models)	64Y2556	1
HongKong (models)	64Y2558	1
Arabic Localized (models)	64Y2559	1
MUL DVD P/Ns VU32 C&L1 Nordics (EN DK FI NO SV) (models)	64Y2560	1

Machine Type 7303



Item #	7303 FRUs	FRU#	CRU
1	Hard disk drive, SATA 80GB 7200RPM/3Gb/8MB (models H4A H5A H5T H6A H6T H7A H7T H8A H8T H9A H9T K4U K4F K5P)	40Y9035	1
1	Hard disk drive, SATA 250GB 7200RPM/3Gb/8MB (models K1G K2G K2H K6S K6P)	40Y9036	1
1	Hard disk drive, SATA 320GB 7200rpm SATA/8MB (models K3G)	87H4891	1
1	Hard disk drive, SATA 500GB 7200RPM/3Gb/s/8MB (models)	41X5582	1
1	Hard disk drive, 1TB 7200rpm SATA (models)	45C5973	1
1	Hard disk drive, 150G 10K rpm,SATA (models)	46R8893	1
2	Microprocessor, E6550 2.33GHZ/1333MHZ/4M G-0 65W (models)	43C3833	N
2	Microprocessor, E8600 3.33GHZ/1333MHZ/6M E0 65W (models)	46R8640	N
2	Microprocessor, E8500 3.16GHz 1333MHz FSB 6M C-0 65W (models F8M F8A F8Q F8T F8K B2G C1S C1Y C1M C1A C1Q C1T C1K C2P D4U D4F D6U D6F E6U E6S E6P E6D E6Y E8U E8S E8P E8D E8Y)	45C7735	N
2	Microprocessor, E8400 3.0GHz 1333MHz FSB 6M C-0 65W (models B9S B9P B9Y D3U D3F D5U D5F E5U E5S E5P E5D E5Y E7U E7S E7P E7D E7Y)	45C7736	N
2	Microprocessor, E8300 2.83GHz 1333MHz FSB 6M C-0 65W (models)	45C7737	N
2	Microprocessor, E8200 2.66GHz 1333MHz FSB 6M C-0 65W (models)	45C7738	N
2	Microprocessor, E8190 2.66GHz 1333MHz FSB 6M C-0 - NON VT/Vpro 65W (models)	45R2568	N
2	Microprocessor, E7200 2.53GHz 1066MHz FSB 3M M-0 65W (models)	45R8337	N
2	Microprocessor, E7300 2.66GHz 1066MHz FSB 3M M-0 65W (models G3A G3Q G3T G5A G5Q G5T G6M A3M A3A A4M A4A A4Q A4T A4K B1G B8S B8P B8Y)	46R1622	N

Item #	7303 FRUs	FRU#	CRU
2	Microprocessor, E7400 2.8GHZ 1066M 3M R0 (ViiV,EIST,EM64T,EDB) 65W (models F3A F3Q F3T F4M F4A F4Q F4T F4K F5M F5A F5Q F5T F5K C3G C8U C8F D1U D1F E1U E1S E1P E1D E1Y E3U E3S E3P E3D E3Y)	53Y6653	N
2	Microprocessor, E7500 2.93GHZ 1066M 3M R0 (ViiV,EIST,EM64T,EDB) 65W (models H8A H8T K2G K2H K3G K5P K6S K6P)	53Y6654	N
2	Microprocessor, E2160 Conroe-L 1.8GHz 800MHz FSB 1M (models)	43C1968	N
2	Microprocessor, E2180 Conroe-L 2.0GHz 800MHz FSB 1M (models)	45C1773	N
2	Microprocessor, E2200 Conroe-L 2.2GHz 800MHz FSB 1M (models)	45C5349	N
2	Microprocessor, E2220 Conroe-L 2.4GHz 800MHz FSB 1M (models)	45C1774	N
2	Microprocessor, E5200 800MHz 2M M-0 65W, 45nm (models)	46R9512	N
2	Microprocessor, E5300 2.6GHz 800MHz 2MB R0 (EIST,EM64T,EDB) 65W (models K4U K4F)	53Y9049	N
2	Microprocessor, E1600 2.4GHZ/800MHZ/512K - NPI M-0 65W (models)	46R1655	N
2	Microprocessor, E1400 2.0GHz 800MHz FSB 512K - NPI M-0 65W (models E9A E9Q E9T A7G)	45R8339	N
2	Microprocessor, E1200 1.6GHZ/800MHZ/512K M-0 65W (models)	45R8341	N
2	Microprocessor, E1500 2.2GHz 800MHz 512KB (EIST,EM64T,EDB) M0 65W (models H4A H5A H5T)	53Y9051	N
2	Microprocessor, Cel-420 Conroe-L 1.6GHz 800MHz FSB 512K (models)	43C3835	N
2	Microprocessor, Cel-430 Conroe-L 1.8GHz 800MHz FSB 512K (models)	43C1964	N
2	Microprocessor, Cel-440 Conroe-L 2.0GHz 800MHz FSB 512K (models)	43C1965	N
2	Microprocessor, Cel-450 2.2GHz 800MHz FSB 512K 35W (models)	46R9514	N
2	Microprocessor, Q9650 3.0GHZ 1333FSB 12MB VT, TXT E-0 95W (models)	46R8642	N
2	Microprocessor, Q9400 2.66GHZ 1333FSB 6MB VT, TXT R-0 95W (models)	46R8644	N
2	Microprocessor, Q8200 2.33GHZ 1333FSB 4M M-1 95W (models C4V A5M A5K A6M A6K B3G)	46R9516	N
2	Microprocessor, Q8300 Yorkfield 2.5GHZ,1333MHz,4M R-0 (ViiV,EIST,EM64T,EDB) (models)	53Y6656	N
2	Microprocessor, Q6600 2.4GHZ 1066FSB 8M G-0 Stepping Level, 95W (models)	43C1695	N
2	Microprocessor, Q6700 2.66GHZ 1066FSB 8M G-0 Stepping Level, 95W (models)	43C6309	N
2	Microprocessor, Q9550 2.83GHZ 1333FSB 12M C-1 95W (models)	45C7739	N
2	Microprocessor, Q9450 Yorkfield 2.66GHZ 1333FSB 12M C-1 95W (models)	45C7740	N
2	Microprocessor, Q9300 Yorkfield 2.50GHZ 1333FSB 6M M-1 95W (models)	45C7741	N
2	Microprocessor, E5400 2.7G 800MHz-2MB R-0 65W Non-vPro (models H6A H6T H7A H7T H9A H9T K1G)	64Y1075	N
3	Heat Sink, 95W heatsink Kit for 607BT, with RM (all models)	41R6454	2
3	Heat Sink, 65W heatsink Kit for 607BT, with RM (all models)	43N9349	2
4	Speaker, internal speaker 254mm -optional (models)	39K5012	2
5	DVD-ROM Drive - 16x/48x - SATA Vista & non-Vista (models H4A H6A H6T H8A H8T)	41N3325	1
5	DVD Recordable/CD-RW Rambo 8 - SATA Vista & non-Vista (models H5A H5T H7A H7T H9A H9T K1G K2G K2H K3G K4U K4F K5P K6S K6P)	43C1042	1
6	Memory module, 512MB PC2-5300 (667MHz) DDR2 SDRAM (models)	41X4255	1
6	Memory module, 1GB PC2-5300 (667MHz) DDR2 SDRAM (models)	41X4256	1

Item #	7303 FRUs	FRU#	CRU
6	Memory module, 2GB PC2-5300 (667MHz) DDR2 SDRAM (models)	41X4257	1
6	Memory module, 512MB PC2-6400 (800MHz) DDR2 SDRAM (models)	41X1079	1
6	Memory module, 1GB PC2-6400 (667MHz) DDR2 SDRAM (models H4A H5A H5T H6A H6T H7A H7T H8A H8T H9A H9T K5P)	41X1080	1
6	Memory module, 2GB PC2-6400 (667MHz) DDR2 SDRAM (models K1G K2G K2H K3G K4U K4F K6S K6P)	41X1081	1
7	System board, Intel G41 BTX(GA) SFF non-AMT (models H4A H5A H5T H6A H6T H7A H7T H8A H8T H9A H9T K1G K2G K2H K3G K4U K4F K5P K6S K6P)	46R8892	N
7	System board, Intel G41 BTX(GA) -NB upgrade (models H4A H5A H5T H6A H6T H7A H7T H8A H8T H9A H9T K1G K2G K2H K3G K4U K4F K5P K6S K6P)	64Y9198	N
8	Power supply, 280W Active PFC power supply(Auto sensing) for 10L---Robust,WW,JP (models H4A H5A H5T H6A H6T H7A H7T H8A H8T H9A H9T K1G K2G K2H K3G K4U K4F K5P K6S K6P)	41A9701	N
8	Power supply, 280W 85+ power supply for 10L---Robust,WW,JP (models H4A H5A H5T H6A H6T H7A H7T H8A H8T H9A H9T K1G K2G K2H K3G K4U K4F K5P K6S K6P)	41A9742	N
8	Power supply, 280W Active PFC power supply(Auto sensing) for 10L---Robust,WW,JP (models H4A H5A H5T H6A H6T H7A H7T H8A H8T H9A H9T K1G K2G K2H K3G K4U K4F K5P K6S K6P)	45J9418	N
8	Power supply, 280W 85+ power supply for 10L---Robust,WW,JP (models H4A H5A H5T H6A H6T H7A H7T H8A H8T H9A H9T K1G K2G K2H K3G K4U K4F K5P K6S K6P)	45J9423	N

The FRUs listed in the following tables are not illustrated.

7303 FRUs	FRU#	CRU
Cabel, SATA 700mm (RoHS) for ODD / 2st HDD (all models)	43N9011	2
Cabel -SATA 600mm (RoHS) for ODD / 2st HDD sub from 43N9011 disposition code 22 (all models)	45J9579	2
Thermal Grease ShinEtsu 7783D, 1g Syringe (all models)	91P8835	N
Fru rubber foot for horizontal Fru rubber foot for horizontal (all models)	43N9728	1
C2 Intrusion Switch 260mm (all models)	43N9080	2
Rear IO shield BTX (all models)	41R6381	2
Temp Sense Cable (165 mm) (all models)	43N9079	N
Universal Adapter Bracket 5.25 to 3.5 W/Bezel, 607BT (all models)	43N9584	2
Vertical Stand, recycle resin (all models)	43N9644	2
Vertical Stand, recycle resin (all models)	43N9585	2
Air Deflector, recycle resin, milan (all models)	43N9610	1
Cable,Luxshare,LED/switch cable R(nonPCB 220mm 10L) for Milan (all models)	43N9075	2
607BT Optical Bezel Asm (all models)	43N9589	2
607BT,NO ODD, Blank Bezel, Plastic (all models)	43N9590	1
Cardreader Bezel, Milan/607BT (all models)	43N9591	1
Non-Cardreader Bezel, Milan/607BT (all models)	43N9592	1
HDD TRAY ASM (all models)	43N9595	1
FRONTCAGE ASM (all models)	43N9596	1

7303 FRUs	FRU#	CRU
Chassis for Miami (all models)	43N9650	N
Cable,Front I_O cable_R(10L_U380_A550)_ESD (all models)	45J9509	N
Models with 3.5" Convert 2.5" for 150GB 10K rpm HDD (1st HDD bay) (all models)	43N9645	2
Cable-SATA 250mm (RoHS) for 1st HDD (all models)	43N9012	2
BATTERY 3V-LITHIUM (models H4A H5A H5T H6A H6T H7A H7T H8A H8T H9A H9T K1G K2G K2H K3G K4U K4F K5P K6S K6P)	45C1566	1

7303 Keyboard (Lenovo Preferred Pro USB -- without hub)	FRU#	CRU Tier
US English (models H4A H5A H6A H7A H8A H9A K1G K2G K2H K3G K4U)	41A5289	1
Arabic (models K1G K2G K3G)	41A5290	1
Arabic/French (models K1G K2G K3G)	41A5291	1
Belgian/French (models K1G K2G K3G)	41A5292	1
Belgian/English (models K1G K2G K3G)	41A5293	1
Brazilian Portuguese (models K5P K6P)	41A5294	1
Bulgarian (models K1G K2G K3G)	41A5295	1
Chinese/US (models)	41A5296	1
Czech (models K1G K2G K3G)	41A5297	1
Danish (models K1G K2G K3G)	41A5298	1
Dutch (models K1G K2G K3G)	41A5299	1
French (models K1G K2G K3G)	41A5300	1
French Canadian (models K1G K2G K3G K4F)	41A5301	1
French Canadian (models K1G K2G K3G K4F)	41A5302	1
German (models K1G K2G K3G)	41A5303	1
Greek (models K1G K2G K3G)	41A5304	1
Greek/US (models K1G K2G K3G)	41A5305	1
Hebrew (models K1G K2G K3G)	41A5306	1
Hungarian (models K1G K2G K3G)	41A5307	1
Iceland (models K1G K2G K3G)	41A5308	1
Italian (models K1G K2G K3G)	41A5309	1
Japanese (models)	41A5310	1
Korean (models A2K A4K A5K A6K F2K F4K F5K F6K F7K F8K C1K)	41A5311	1
LA Spanish (models K6S)	41A5312	1
Norwegian (models K1G K2G K3G)	41A5313	1
Polish (models K1G K2G K3G)	41A5314	1
Portuguese (models K1G K2G K3G)	41A5315	1
Romanian (models K1G K2G K3G)	41A5316	1
Romanian (models K1G K2G K3G)	41A5317	1
Russian/Cyrillic (models K1G K2G K3G)	41A5318	1
Serbian/Cyrillic (models K1G K2G K3G)	41A5319	1
Slovak (models K1G K2G K3G)	41A5320	1
Spanish (models K1G K2G K3G)	41A5321	1

7303 Keyboard (Lenovo Preferred Pro USB -- without hub)	FRU#	CRU Tier
Swedish/Finnish (models K1G K2G K3G)	41A5322	1
Swiss (models K1G K2G K3G)	41A5323	1
Thailand (models H5T H6T H7T H8T H9T)	41A5324	1
Turkish (models K1G K2G K3G)	41A5325	1
Turkish (models K1G K2G K3G)	41A5326	1
UK English (models K1G K2G K3G)	41A5327	1
US Euro (models K1G K2G K3G)	41A5328	1
Slovenian (models K1G K2G K3G)	41A5329	1
Arabic(New) (models K1G K2G K3G)	45J4880	1
Lithuanian (models K1G K2G K3G)	45J4896	1

7303 Keyboard (Lenovo Fingerprint Reader USB)	FRU#	CRU Tier
US English (models)	41R0038	1
Arabic (models)	41R0039	1
Arabic/French (models)	41R0040	1
Belgian/French (models)	41R0041	1
Belgian/English (models)	41R0042	1
Brazilian Portuguese (models)	41R0043	1
Bulgarian (models)	41R0044	1
Chinese/US (models)	41R0045	1
Czech (models)	41R0046	1
Danish (models)	41R0047	1
Dutch (models)	41R0048	1
French (models)	41R0049	1
French Canadian (models)	41R0050	1
French Canadian (models)	41R0051	1
German (models)	41R0052	1
Greek (models)	41R0053	1
Greek/US (models)	41R0054	1
Hebrew (models)	41R0055	1
Hungarian (models)	41R0056	1
Iceland (models)	41R0057	1
Italian (models)	41R0058	1
Japanese (models)	41R0059	1
Korean (models)	41R0060	1
LA Spanish (models)	41R0061	1
Norwegian (models)	41R0062	1
Polish (models)	41R0063	1
Portuguese (models)	41R0064	1
Romanian (models)	41R0065	1
Romanian (models)	41R0066	1

7303 Keyboard (Lenovo Fingerprint Reader USB)	FRU#	CRU Tier
Russian/Cyrillic (models)	41R0067	1
Serbian/Cyrillic (models)	41R0068	1
Slovak (models)	41R0069	1
Spanish (models)	41R0070	1
Swedish/Finnish (models)	41R0071	1
Swiss (models)	41R0072	1
Thailand (models)	41R0073	1
Turkish (models)	41R0074	1
Turkish (models)	41R0075	1
UK English (models)	41R0076	1
US Euro (models)	41R0077	1
Slovenian (models)	41R0078	1

7303 Keyboard (Lenovo Preferred Pro PS/2 Full Size)	FRU#	CRU Tier
US English (models)	41A5039	1
Arabic (models)	41A5040	1
Arabic/French (models)	41A5041	1
Belgian/French (models)	41A5042	1
Belgian/English (models)	41A5043	1
Brazilian Portuguese (models)	41A5044	1
Bulgarian (models)	41A5045	1
Chinese/US (models)	41A5046	1
Czech (models)	41A5047	1
Danish (models)	41A5048	1
Dutch (models)	41A5049	1
French (models)	41A5050	1
French Canadian (models)	41A5051	1
French Canadian (models)	41A5052	1
German (models)	41A5053	1
Greek (models)	41A5054	1
Greek/US (models)	41A5080	1
Hebrew (models)	41A5055	1
Hungarian (models)	41A5056	1
Iceland (models)	41A5057	1
Italian (models)	41A5058	1
Japanese (models)	41A5059	1
Korean (models)	41A5060	1
LA Spanish (models)	41A5061	1
Norwegian (models)	41A5062	1
Polish (models)	41A5063	1
Portuguese (models)	41A5064	1

7303 Keyboard (Lenovo Preferred Pro PS/2 Full Size)	FRU#	CRU Tier
Romanian (models)	41A5065	1
Russian/Cyrillic (models)	41A5066	1
Serbian/Cyrillic (models)	41A5067	1
Slovak (models)	41R0068	1
Spanish (models)	41R0069	1
Swedish/Finnish (models)	41A5070	1
Swiss (models)	41A5071	1
Thailand (models)	41A5072	1
Turkish (models)	41A5073	1
Turkish (models)	41A5074	1
UK English (models)	41A5075	1
US Euro (models)	41A5076	1
Slovenian (models)	41A5077	1

7303 mice	FRU#	CRU
Optical Wheel Mouse (400DPI, USB) (models H4A H5A H5T H6A H6T H7A H7T H8A H8T H9A H9T K1G K2G K2H K3G K4U K4F K5P K6S K6P)	41U3013	1
Optical Wheel Mouse (400DPI, USB) (models H4A H5A H5T H6A H6T H7A H7T H8A H8T H9A H9T K1G K2G K2H K3G K4U K4F K5P K6S K6P)	41U3030	1
PS/2 2 Button Ball Mouse (models)	41R0018	1

7303 Adapters and miscellaneous FRUs	FRU#	CRU
Internal USB 20 in 1 Memory Card Reader Slim SFF (models)	46R1529	1
IEEE 1394 Firewire Adapter SFF (ROCKYS) (models)	41D2781	1
Soft Modem V.90/V.44 SFF (ROCKYS) (models)	29R9729	1
Speaker Power brick - US, Canada, LA low voltage, ASEAN (models K4U)	89P8571	1
Speaker Power brick - LA high voltage (non-APU) (models)	89P8575	1
Speaker Power brick - SIMPLIFIED -CHN, Thailand EMEA (models K1G K2G K3G)	89P8581	1
Speaker Power brick - JAPANESE (models)	89P8577	1
Speaker Power brick - Brazil (models)	89P8583	1
Speaker Power brick - Argentina (models)	41A4901	1
Speaker Power brick - ANZ (models G6M A2M A3M A4M A5M A6M F2M F4M F5M F6M F7M F8M C1M)	89P8579	1
Speaker Power brick - KOREA (models)	41A4903	1
Speaker Power brick - HONG KONG, EMEA,IRELAND (models K1G K2G K3G)	89P8573	1
Speaker Power brick -TAIWAN-TC (models C4V)	41A4905	1
Speaker Power brick - INDIA, South Africa (models G3Q G4Q G5Q A2Q A4Q E9Q F2Q F3Q F4Q F5Q F6Q F7Q F8Q C1Q)	89P8585	1
2-pc external speaker--primary (models)	41A5331	1
2-pc external speaker-secondary (models)	41A5334	1
DVI-I(M)-VGA(F) cord (models)	41R3342	1
ATI HD3470 GDDR3 256MB - VGA+DP (models)	46R1521	1

7303 Adapters and miscellaneous FRUs	FRU#	CRU
ADD2 DVI-D Adapter, (HDCP) DVD-D connection Adapter Low Profile(Silicon Image) (models)	43C0258	1
DisplayPort to DVI-D Dongle (models)	43N9160	1
DisplayPort to VGA Dongle (models)	45J9524	1
Modem phone cable (models)	39K5120	1
LI140mm Rear Com2 cable II mini® SFF (models)	43N9062	2
Rear USB 2Ports II LP® 350mm (models)	43N9124	2
Nvidia G100 DDR2 256MB LP - DVI-I (With DVI-I to VGA Dongle) (models)	53Y9341	1

7303 Line Cords	FRU#	CRU
Line cord - US (models H4A H5A H5T H6A H6T H7A H7T H8A H8T H9A H9T K4U K4F K6S)	41R3184	1
Line cord - US (models H4A H5A H5T H6A H6T H7A H7T H8A H8T H9A H9T K4U K4F K6S)	41R3185	1
Line cord - China (models)	41R3256	1
Line cord - China (models)	41R3257	1
Line cord - Japanese and Japanese English (models)	41R3248	1
Line cord - Japanese and Japanese English (models)	41R3249	1
Line cord - Brazil (models)	41R3270	1
Line cord - Brazil (models)	41R3271	1
Line cord - LA High Volt APU (models)	41R3176	1
Line Cord - LA High Volt APU (models)	41R3177	1
Line cord - ANZ (models)	41R3196	1
Line cord - ANZ (models)	41R3197	1
Line Cord - Korea (models)	41R3260	1
Line Cord - Korea (models)	41R3261	1
Line Cord - UK, Ireland, Singapore, Malaysia, Brunei (models K2H)	41R3224	1
Line Cord - UK, Ireland, Singapore, Malaysia, Brunei (models K2H)	41R3225	1
Line Cord - Taiwan (models C4V)	41R3278	1
Line Cord - Taiwan (models C4V)	41R3279	1
Line Cord - Italy (models)	41R3232	1
Line Cord - Italy (models)	41R3233	1
Line Cord - Indonesia, Laos, Cambodia, and Vietnam (models H4A H5A H5T H6A H6T H7A H7T H8A H8T H9A H9T K4U K4F K6S)	41R3208	1
Line Cord - Indonesia, Laos, Cambodia, and Vietnam (models H4A H5A H5T H6A H6T H7A H7T H8A H8T H9A H9T K4U K4F K6S)	41R3209	1
Line Cord - Denmark (models K1G K2G K3G)	41R3212	1
Line Cord - Denmark (models K1G K2G K3G)	41R3213	1
Line Cord - Switzerland (models K1G K2G K3G)	41R3228	1
Line Cord - Switzerland (models K1G K2G K3G)	41R3229	1
Line Cord - Israel (models K1G K2G K3G)	41R3236	1
Line Cord - Israel (models K1G K2G K3G)	41R3237	1

7303 Line Cords	FRU#	CRU
Line Cord - South Africa (models H4A H5A H6A H7A H8A H9A K1G K2G K3G)	41R3220	1
Line Cord - South Africa (models H4A H5A H6A H7A H8A H9A K1G K2G K3G)	41R3221	1
Line Cord - India (models)	41R3341	1
Line Cord - India (models)	41R3175	1
Line Cord - Thailand (models H5T H6T H7T H8T H9T)	43N9029	1
Line Cord - Thailand (models H5T H6T H7T H8T H9T)	43N9030	1
Line Cord - Y cable for Brazil Line Cord - India (models)	43N9044	1

7303 Windows XP Pro Recovery CDs	FRU#	CRU
Dutch (models)	63Y8807	1
Hebrew (models)	63Y8810	1
Portuguese (models)	63Y8818	1
Russian English (models)	63Y8814	1
Hungarian (models)	63Y8816	1
Czech (models)	63Y8808	1
Turkish (models)	63Y8815	1
Greek (models)	63Y8817	1
Slovenian (models)	63Y8819	1
Korea (models)	63Y8823	1
US English (models H9A K4U)	64Y5615	1
French (models K4F)	64Y5616	1
German (models)	64Y5617	1
Italian (models)	64Y5647	1
Brazilian Portuguese (models)	64Y5646	1
Spanish (models)	64Y5645	1
Danish (models)	64Y5736	1
Arabic (models)	64Y5739	1
Swedish (models)	64Y5735	1
Finnish (models)	64Y5737	1
Norwegian (models)	64Y5734	1
Polish (models)	64Y5738	1
Russian (models)	64Y5740	1
Japanese (models)	64Y6078	1
Simplified Chinese (models)	64Y5741	1
Traditional Chinese (models)	64Y5742	1
Hong Kong (models)	64Y5743	1

7303 Vista Home Basic 32 Recovery DVDs	FRU#	CRU
English (models)	64Y2512	1
French (models)	64Y2514	1
German (models)	64Y2515	1

7303 Vista Home Basic 32 Recovery DVDs	FRU#	CRU
Spanish (models)	64Y2516	1
Brazilian Portuguese (models)	64Y2517	1
Italian (models)	64Y2518	1
Japanese (models)	64Y2525	1
Dutch (models)	64Y2532	1
Czech (models)	64Y2519	1
Polish (models)	64Y2520	1
Russian (models)	64Y2521	1
Turkish (models)	64Y2522	1
Hungarian (models)	64Y2523	1
Greek (models)	64Y2524	1
Portuguese (models)	64Y2535	1
Simplified Chinese (models)	64Y2526	1
Hongkong (models)	64Y2528	1
Traditional Chinese (models)	64Y2527	1
Korean (models)	64Y2529	1
Slovenian (models)	64Y2530	1
Russian English (models)	64Y2513	1
Hebrew (models)	64Y2533	1
Arabic enabled (models)	64Y2531	1
Slovakian (models)	64Y2537	1
Romanian (models)	64Y2534	1
Serbian-Latin (models)	64Y2536	1
Miami MUL DVD P/Ns Vista Home Basic 32 C&L1 Nordics (English DK Fi No SV) (models)	64Y2538	1
Miami MUL DVD P/Ns Vista Home Basic 32 C&L 2 Switzerland (English FR GR IT) (models)	64Y2539	1
Miami MUL DVD P/Ns Vista Home Basic 32 C&L3 Bel Lux (English FR GR NL) (models)	64Y2540	1

7303 Vista Business 32 Recovery DVDs	FRU#	CRU
English (models H5A H7A K1G K2G K2H K3G)	64Y2425	1
French (models K1G K2G K3G)	64Y2427	1
German (models K1G K2G K3G)	64Y2428	1
Spanish (models K1G K2G K3G)	64Y2429	1
Brazilian (models)	64Y2430	1
Italian (models K1G K2G K3G)	64Y2432	1
Japanese (models)	64Y2438	1
Dutch (models K1G K2G K3G)	64Y2445	1
Czech (models)	64Y2432	1
Polish (models K1G K2G K3G)	64Y2433	1
Russian (models K1G K2G K3G)	64Y2434	1

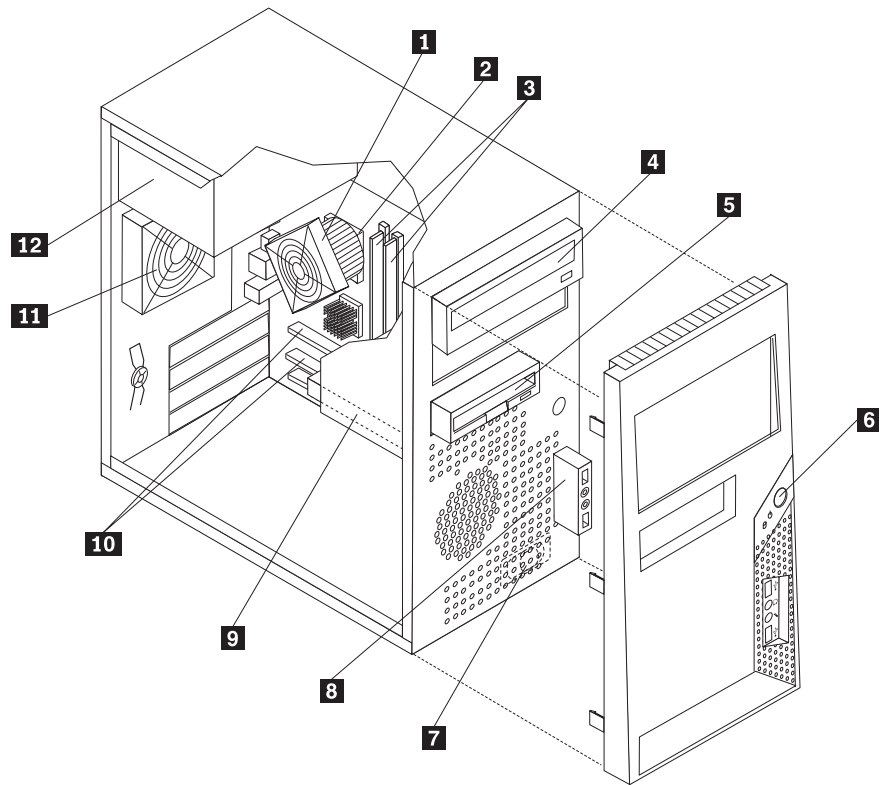
7303 Vista Business 32 Recovery DVDs	FRU#	CRU
Turkish (models K1G K2G K3G)	64Y2435	1
Hungarian (models K1G K2G K3G)	64Y2436	1
Greek (models K1G K2G K3G)	64Y2437	1
Portuguese (models)	64Y2448	1
Simplified Chinese (models)	64Y2439	1
Trad Chinese (models)	64Y2440	1
HongKong (models)	64Y2441	1
Korean (models)	64Y2442	1
Slovenian (models K1G K2G K3G)	64Y2443	1
Russian English (models K1G K2G K3G)	64Y2426	1
Romanian (models K1G K2G K3G)	64Y2447	1
Serbian-Latin (models K1G K2G K3G)	64Y2449	1
Slovakian (models K1G K2G K3G)	64Y2450	1
Arabic enabled (models K1G K2G K3G)	64Y2444	1
Hebrew (models C3G A7G A9G B1G B2G B3G)	64Y2446	1
Miami MUL DVD P/Ns VB32 C&L1 Nordics (English DK FI NO SV) (models C3G A7G A9G B1G B2G B3G)	64Y2451	1
Miami MUL DVD P/Ns VB32 C&L 2 Switzerland (English FR GR IT) (models C3G A7G A9G B1G B2G B3G)	64Y2452	1
Miami MUL DVD P/Ns VB32 C&L3 Bel Lux (English FR GR NL) (models C3G A7G A9G B1G B2G B3G)	64Y2453	1

7303 Vista VHP 32 Recovery DVDs	FRU#	CRU
English (models)	64Y2541	1
French (models)	64Y2542	1
German (models)	64Y2543	1
Spanish (models)	64Y2544	1
Italian (models)	64Y2546	1
Japanese (models)	64Y2547	1
Hong Kong (models)	64Y2548	1
Korean (models)	64Y2545	1
Miami MUL DVD P/Ns VHP32 C&L1 Nordics (English DK FI NO SV) (models)	64Y2549	1
Miami MUL DVD P/Ns VHP32 C&L 2 Switzerland (English FR GR IT) (models)	64Y2550	1
Miami MUL DVD P/Ns VHP32 C&L3 Bel Lux (English FR GR NL) (models)	64Y2551	1

7303 Vista Business 64 Recovery CDs	FRU#	CRU
English (models)	64Y2561	1
French (models)	64Y2562	1
German (models)	64Y2563	1
Japanese (models)	64Y2564	1
Simplified Chinese (models)	64Y2565	1

7303 Vista Ultimate 32 Recovery CDs	FRU#	CRU
English (models)	64Y2552	1
Japanese (models)	64Y2557	1
French (models)	64Y2553	1
German (models)	64Y2554	1
Spanish (models)	64Y2555	1
Italian (models)	64Y2556	1
HongKong (models)	64Y2558	1
Arabic Localized (models)	64Y2559	1
MUL DVD P/Ns VU32 C&L1 Nordics (EN DK FI NO SV) (models)	64Y2560	1

Machine Type 7304



Item #	7304 FRUs	FRU#	CRU
1	Heat Sink, Intel 95W/65W Heatsink (all models)	43N9409	2
1	Heat Sink, Intel 65W Heatsink (all models)	43N9708	2
2	Microprocessor, E6550 2.33GHZ/1333MHZ/4M G-0 65W (models)	43C3833	N
2	Microprocessor, E8600 3.33GHZ/1333MHZ/6M E0 65W (models)	46R8640	N
2	Microprocessor, E8500 3.16GHz 1333MHz FSB 6M C-0 65W (models A4G)	45C7735	N
2	Microprocessor, E8400 3.0GHz 1333MHz FSB 6M C-0 65W (models)	45C7736	N
2	Microprocessor, E8300 2.83GHz 1333MHz FSB 6M C-0 65W (models)	45C7737	N
2	Microprocessor, E8200 2.66GHz 1333MHz FSB 6M C-0 65W (models)	45C7738	N
2	Microprocessor, E8190 2.66GHz 1333MHz FSB 6M C-0 - NON VT/Vpro 65W (models)	45R2568	N
2	Microprocessor, E7200 2.53GHz 1066MHz FSB 3M M-0 65W (models)	45R8337	N
2	Microprocessor, E7300 2.66GHz 1066MHz FSB 3M M-0 65W (models A3G)	46R1622	N
2	Microprocessor, E7400 2.8GHZ 1066M 3M R0 (ViiV,EIST,EM64T,EDB) 65W (models A7G)	53Y6653	N
2	Microprocessor, E7500 2.93GHZ 1066M 3M R0 (ViiV,EIST,EM64T,EDB) 65W (models A9G)	53Y6654	N
2	Microprocessor, E2160 Conroe-L 1.8GHz 800MHz FSB 1M (models)	43C1968	N
2	Microprocessor, E2180 Conroe-L 2.0GHz 800MHz FSB 1M (models)	45C1773	N
2	Microprocessor, E2200 Conroe-L 2.2GHz 800MHz FSB 1M (models)	45C5349	N
2	Microprocessor, E2220 Conroe-L 2.4GHz 800MHz FSB 1M (models)	45C1774	N

Item #	7304 FRUs	FRU#	CRU
2	Microprocessor, E5200 800MHz 2M M-0 65W, 45nm (models)	46R9512	N
2	Microprocessor, E5300 2.6GHz 800MHz 2MB R0 (EIST,EM64T,EDB) 65W (models)	53Y9049	N
2	Microprocessor, E1600 2.4GHZ/800MHZ/512K - NPI M-0 65W (models)	46R1655	N
2	Microprocessor, E1400 2.0GHz 800MHz FSB 512K- NPI M-0 65W (models)	45R8339	N
2	Microprocessor, E1200 1.6GHZ/800MHZ/512K M-0 65W(models)	45R8341	N
2	Microprocessor, E1500 2.2GHz 800MHz 512KB (EIST,EM64T,EDB) M0 65W (models)	53Y9051	N
2	Microprocessor, Cel-420 Conroe-L 1.6GHz 800MHz FSB 512K (models)	43C3835	N
2	Microprocessor, Cel-430 Conroe-L 1.8GHz 800MHz FSB 512K (models)	43C1964	N
2	Microprocessor, Cel-440 Conroe-L 2.0GHz 800MHz FSB 512K (models)	43C1965	N
2	Microprocessor, Cel-450 2.2GHz 800MHz FSB 512K 35W (models)	46R9514	N
2	Microprocessor, Q9650 3.0GHZ 1333FSB 12MB VT, TXT E-0 95W (models)	46R8642	N
2	Microprocessor, Q9400 2.66GHZ 1333FSB 6MB VT, TXT R-0 95W (models)	46R8644	N
2	Microprocessor, Q8200 2.33GHZ 1333FSB 4M M-1 95W (models)	46R9516	N
2	Microprocessor, Q8300 Yorkfield 2.5GHZ,1333MHz,4M R-0 (ViiV,EIST,EM64T,EDB) (models)	53Y6656	N
2	Microprocessor, Q6600 2.4GHZ 1066FSB 8M G-0 Stepping Level, 95W (models)	43C1695	N
2	Microprocessor, Q6700 2.66GHZ 1066FSB 8M G-0 Stepping Level, 95W (models)	43C6309	N
2	Microprocessor, Q9550 2.83GHZ 1333FSB 12M C-1 95W (models)	45C7739	N
2	Microprocessor, Q9450 Yorkfield 2.66GHZ 1333FSB 12M C-1 95W(models)	45C7740	N
2	Microprocessor, Q9300 Yorkfield 2.50GHZ 1333FSB 6M M-1 95W (models)	45C7741	N
2	Microprocessor, E5400 2.7G 800MHz-2MB R-0 65W Non-vPro (models A8G)	64Y1075	N
3	Memory module, 512MB PC2-5300 (667MHz) DDR2 SDRAM (models)	41X4255	1
3	Memory module, 1GB PC2-5300 (667MHz) DDR2 SDRAM (models)	41X4256	1
3	Memory module, 2GB PC2-5300 (667MHz) DDR2 SDRAM (models)	41X4257	1
3	Memory module, 512MB PC2-6400 (800MHz) DDR2 SDRAM (models)	41X1079	1
3	Memory module, 1GB PC2-6400 (667MHz) DDR2 SDRAM (models A5G A6G A7G)	41X1080	1
3	Memory module, 2GB PC2-6400 (667MHz) DDR2 SDRAM (models A8G A9G)	41X1081	1
4	Optical drive, DVD-ROM Drive - 16x/48x - SATA Vista & non-Vista (models A5G A6G A7G)	41N3325	1
4	Optical drive, DVD Recordable/CD-RW Rambo 8 - SATA Vista & non-Vista (models A8G A9G)	43C1042	1
4	Optical drive, Blu-ray Recorder / DVD Super Multi (models)	53Y7643	1
5	Floppy Diskette Driver - 3.5" 1.44MB 2 Mode FDD with Bezel and cable Tower (models)	40Y9107	1
5	Floppy Diskette Driver - 3.5" 1.44MB 2 Mode FDD with Bezel and cable Tower (models)	40Y9105	1
6	Power switch / LED assembly (all models)	43N9074	1
7	Speaker, Internal speaker 400mm --optional (all models)	43N9091	1
8	Front audio / USB assembly (all models)	43N9076	1
9	Hard disk drive, SATA 80GB 7200RPM/3Gb/8MB (models A8G)	40Y9035	1
9	Hard disk drive, SATA 250GB 7200RPM/3Gb/8MB (models A9G)	40Y9036	1

Item #	7304 FRUs	FRU#	CRU
9	Hard disk drive, SATA 320GB 7200rpm SATA/8MB (models)	87H4891	1
9	Hard disk drive, SATA 500GB 7200RPM/3Gb/s/8MB (models)	41X5582	1
9	Hard disk drive, 1TB 7200rpm SATA (models)	45C5973	1
9	Hard disk drive, 150G 10K rpm,SATA (models)	46R8893	1
10	System board, Intel G41 MATX(GA) Tower non-AMT (models A8G A9G)	46R8891	N
10	System board, Intel G41 MATX(GA) -NB upgrade (models A8G A9G)	64Y9197	N
11	Rear system fan (all models)	41R6269	2
12	Power supply, 280W Active PFC power supply(Auto sensing) for 10L---Robust,WW,JP (models A8G A9G)	41A9721	2
12	Power supply, 280W 85+ power supply for 10L---Robust,WW,JP (models A8G A9G)	41A9684	2
12	Power supply, ATX 280W 80% power supply;Robust,WW,JP (models A8G A9G)	41A9665	2
12	Power supply, ATX 320W 88% Power supply; WW, Robust,JP (models A8G A9G)	45J9410	2
12	Power supply, 280W Watt ATX Power supply (85plus)-WW, Robust,JP (models A8G A9G)	45J9431	2

The FRUs listed in the following tables are not illustrated.

7304 FRUs	FRU#	CRU
Thermal Grease --ShinEtsu 7783D 1g Syringe (all models)	91P8835	N
Shield, 5.25 EMC FOR 1st ODD Bay (all models)	41N8080	1
Cable -SATA 457mm (RoHS) for ODD (all models)	43N9013	2
Intrusion Switch Asm Tamdhu 475mm --Optional (all models)	39K5022	2
2st HDD SATA cable, 120mm, 1 latching for Device, RoHS (all models)	41R3328	2
Cable-SATA 250mm (RoHS) for 1st HDD (all models)	43N9012	2
Secondl HDD Bracket Asm for TamdhuIII (all models)	41R6106	1
Temp Sense Cable (6pin 460 mm) (all models)	45J9495	2
Front FAN 2X500G HDD or 500GB+1TB Only (all models)	41R4791	2
FDD Cable-TamdhuIII (all models)	41A7182	2
FDD Cable, 310mm (all models)	41A7147	2
Card Reader Retainer-TamdhuII (all models)	41R2913	1
No OptiCal Bezel Kit - Tamdhu II (all models)	41N8077	1
Cover (all models)	41N8050	1
I/O Shield - Ace (all models)	41N8053	2
Intrusion Switch asm (all models)	41R6116	2
4 Pin System Fan For Tamdhu2, Apollo (all models)	41R6269	2
HDD TRAY, TAMDHU (all models)	41R6291	1
Asm Chassis Without IBM Mark, Recycle (all models)	43N9415	N
ODD/FDD/Cardreader Retainers, Tamdhu (all models)	43N9351	2
Blank 5.25" Bezel, Recycle (all models)	43N9413	2
ASM BEZEL, WITHOUT IBM MARK, Recycle (all models)	43N9412	1
Cable Clip, FW-6D (all models)	43N9462	2

7304 FRUs	FRU#	CRU
3.5" Convert 2.5" for 150GB 10K rpm HDD (1st HDD bay) (models)	43N9593	2
BATTERY 3V-LITHIUM (models A8G A9G)	45C1566	1

7304 Keyboard (Lenovo Preferred Pro USB -- without hub)	FRU#	CRU Tier
US English (models A8G A9G)	41A5289	1
Arabic (models A8G A9G)	41A5290	1
Arabic/French (models A8G A9G)	41A5291	1
Belgian/French (models A8G A9G)	41A5292	1
Belgian/English (models A8G A9G)	41A5293	1
Brazilian Portuguese (models)	41A5294	1
Bulgarian (models A8G A9G)	41A5295	1
Chinese/US (models)	41A5296	1
Czech (models A8G A9G)	41A5297	1
Danish (models A8G A9G)	41A5298	1
Dutch (models A8G A9G)	41A5299	1
French (models A8G A9G)	41A5300	1
French Canadian (models A8G A9G)	41A5301	1
French Canadian (models A8G A9G)	41A5302	1
German (models A8G A9G)	41A5303	1
Greek (models A8G A9G)	41A5304	1
Greek/US (models A8G A9G)	41A5305	1
Hebrew (models A8G A9G)	41A5306	1
Hungarian (models A8G A9G)	41A5307	1
Iceland (models A8G A9G)	41A5308	1
Italian (models A8G A9G)	41A5309	1
Japanese (models)	41A5310	1
Korean (models)	41A5311	1
LA Spanish (models)	41A5312	1
Norwegian (models A8G A9G)	41A5313	1
Polish (models A8G A9G)	41A5314	1
Portuguese (models A8G A9G)	41A5315	1
Romanian (models A8G A9G)	41A5316	1
Romanian (models A8G A9G)	41A5317	1
Russian/Cyrillic (models A8G A9G)	41A5318	1
Serbian/Cyrillic (models A8G A9G)	41A5319	1
Slovak (models A8G A9G)	41A5320	1
Spanish (models A8G A9G)	41A5321	1
Swedish/Finnish (models A8G A9G)	41A5322	1
Swiss (models A8G A9G)	41A5323	1
Thailand (models)	41A5324	1
Turkish (models A8G A9G)	41A5325	1

7304 Keyboard (Lenovo Preferred Pro USB -- without hub)	FRU#	CRU Tier
Turkish (models A8G A9G)	41A5326	1
UK English (models A8G A9G)	41A5327	1
US Euro (models A8G A9G)	41A5328	1
Slovenian (models A8G A9G)	41A5329	1
Arabic(New) (models A8G A9G)	45J4880	1
Lithuanian (models A8G A9G)	45J4896	1

7304 Keyboard (Lenovo Fingerprint Reader USB)	FRU#	CRU Tier
US English (models)	41R0038	1
Arabic (models)	41R0039	1
Arabic/French (models)	41R0040	1
Belgian/French (models)	41R0041	1
Belgian/English (models)	41R0042	1
Brazilian Portuguese (models)	41R0043	1
Bulgarian (models)	41R0044	1
Chinese/US (models)	41R0045	1
Czech (models)	41R0046	1
Danish (models)	41R0047	1
Dutch (models)	41R0048	1
French (models)	41R0049	1
French Canadian (models)	41R0050	1
French Canadian (models)	41R0051	1
German (models)	41R0052	1
Greek (models)	41R0053	1
Greek/US (models)	41R0054	1
Hebrew (models)	41R0055	1
Hungarian (models)	41R0056	1
Iceland (models)	41R0057	1
Italian (models)	41R0058	1
Japanese (models)	41R0059	1
Korean (models)	41R0060	1
LA Spanish (models)	41R0061	1
Norwegian (models)	41R0062	1
Polish (models)	41R0063	1
Portuguese (models)	41R0064	1
Romanian (models)	41R0065	1
Romanian (models)	41R0066	1
Russian/Cyrillic (models)	41R0067	1
Serbian/Cyrillic (models)	41R0068	1
Slovak (models)	41R0069	1
Spanish (models)	41R0070	1

7304 Keyboard (Lenovo Fingerprint Reader USB)	FRU#	CRU Tier
Swedish/Finnish (models)	41R0071	1
Swiss (models)	41R0072	1
Thailand (models)	41R0073	1
Turkish (models)	41R0074	1
Turkish (models)	41R0075	1
UK English (models)	41R0076	1
US Euro (models)	41R0077	1
Slovenian (models)	41R0078	1

7304 Keyboard (Lenovo Preferred Pro PS/2 Full Size)	FRU#	CRU Tier
US English (models)	41A5039	1
Arabic (models)	41A5040	1
Arabic/French (models)	41A5041	1
Belgian/French (models)	41A5042	1
Belgian/English (models)	41A5043	1
Brazilian Portuguese (models)	41A5044	1
Bulgarian (models)	41A5045	1
Chinese/US (models)	41A5046	1
Czech (models)	41A5047	1
Danish (models)	41A5048	1
Dutch (models)	41A5049	1
French (models)	41A5050	1
French Canadian (models)	41A5051	1
French Canadian (models)	41A5052	1
German (models)	41A5053	1
Greek (models)	41A5054	1
Greek/US (models)	41A5080	1
Hebrew (models)	41A5055	1
Hungarian (models)	41A5056	1
Iceland (models)	41A5057	1
Italian (models)	41A5058	1
Japanese (models)	41A5059	1
Korean (models)	41A5060	1
LA Spanish (models)	41A5061	1
Norwegian (models)	41A5062	1
Polish (models)	41A5063	1
Portuguese (models)	41A5064	1
Romanian (models)	41A5065	1
Russian/Cyrillic (models)	41A5066	1
Serbian/Cyrillic (models)	41A5067	1
Slovak (models)	41R0068	1

7304 Keyboard (Lenovo Preferred Pro PS/2 Full Size)	FRU#	CRU Tier
Spanish (models)	41R0069	1
Swedish/Finnish (models)	41A5070	1
Swiss (models)	41A5071	1
Thailand (models)	41A5072	1
Turkish (models)	41A5073	1
Turkish (models)	41A5074	1
UK English (models)	41A5075	1
US Euro (models)	41A5076	1
Slovenian (models)	41A5077	1

7304 mice	FRU#	CRU
Optical Wheel Mouse (400DPI, USB) (models A8G A9G)	41U3013	1
Optical Wheel Mouse (400DPI, USB) (models A8G A9G)	41U3030	1
PS/2 2 Button Ball Mouse (models)	41R0018	1

7304 Adapters and miscellaneous FRUs	FRU#	CRU
Internal 20 in 1 USB Memory Card Reader(Tower) (models)	45R8139	1
IEEE 1394 Firewire Adapter SFF (ROCKYS) (models)	41D2781	1
Dash Marvell Ethernet card ATX Tower (models)	53Y4008	1
Soft Modem V.90/V.44 SFF (ROCKYS) (models)	29R9729	1
Speaker Power brick - US, Canada, LA low voltage, ASEAN (models)	89P8571	1
Speaker Power brick - LA high voltage (non-APU) (models)	89P8575	1
Speaker Power brick - SIMPLIFIED -CHN, Thailand EMEA (models A8G A9G)	89P8581	1
Speaker Power brick - JAPANESE (models)	89P8577	1
Speaker Power brick - Brazil (models)	89P8583	1
Speaker Power brick - Argentina (models)	41A4901	1
Speaker Power brick - ANZ (models)	89P8579	1
Speaker Power brick - KOREA (models)	41A4903	1
Speaker Power brick - HONG KONG, EMEA, IRELAND (models A8G A9G)	89P8573	1
Speaker Power brick -TAIWAN-TC (models)	41A4905	1
Speaker Power brick - INDIA, South Africa (models)	89P8585	1
2-pc external speaker--primary (models)	41A5331	1
2-pc external speaker-secondary (models)	41A5334	1
DVI-I(M)-VGA(F) cord (models)	41R3342	1
Geforce9500GT GDDR3 512MB - towerDVI+HDMI+DP (Tower) (models)	46R1524	1
ATI HD3470 GDDR3 256MB - VGA+DP (models)	46R1521	1
ADD2 DVI-D Adapter, (HDCP) DVD-D connection Adapter Low Profile(Silicon Image) (models)	43C0258	1
DisplayPort to DVI-D Dongle (models)	43N9160	1
DisplayPort to VGA Dongle (models)	45J9524	1
Modem phone cable (models)	39K5120	1

7304 Adapters and miscellaneous FRUs	FRU#	CRU
LI300mm Rear USB 2Ports II HP® (Tower) (models)	42Y8005	2
LI350mm Rear Com2 cable II mini® (Tower) (models)	41R8548	2
Nvidia G100 DDR2 256MB ATX - DVI-I+VGA (models)	53Y9249	1

7304 Line Cords	FRU#	CRU
Line cord - US (models)	41R3184	1
Line cord - US (models)	41R3185	1
Line cord - China (models)	41R3256	1
Line cord - China (models)	41R3257	1
Line cord - Japanese and Japanese English (models)	41R3248	1
Line cord - Japanese and Japanese English (models)	41R3249	1
Line cord - Brazil (models)	41R3270	1
Line cord - Brazil (models)	41R3271	1
Line cord - LA High Volt APU (models)	41R3176	1
Line Cord - LA High Volt APU (models)	41R3177	1
Line cord - ANZ (models)	41R3196	1
Line cord - ANZ (models)	41R3197	1
Line Cord - Korea (models)	41R3260	1
Line Cord - Korea (models)	41R3261	1
Line Cord - UK, Ireland, Singapore, Malaysia, Brunei (models)	41R3224	1
Line Cord - UK, Ireland, Singapore, Malaysia, Brunei (models)	41R3225	1
Line Cord - Taiwan (models)	41R3278	1
Line Cord - Taiwan (models)	41R3279	1
Line Cord - Italy (models)	41R3232	1
Line Cord - Italy (models)	41R3233	1
Line Cord - Indonesia, Laos, Cambodia, and Vietnam (models)	41R3208	1
Line Cord - Indonesia, Laos, Cambodia, and Vietnam (models)	41R3209	1
Line Cord - Denmark (models A8G A9G)	41R3212	1
Line Cord - Denmark (models A8G A9G)	41R3213	1
Line Cord - Switzerland (models A8G A9G)	41R3228	1
Line Cord - Switzerland (models A8G A9G)	41R3229	1
Line Cord - Israel (models A8G A9G)	41R3236	1
Line Cord - Israel (models A8G A9G)	41R3237	1
Line Cord - South Africa (models A8G A9G)	41R3220	1
Line Cord - South Africa (models A8G A9G)	41R3221	1
Line Cord - India (models)	41R3341	1
Line Cord - India (models)	41R3175	1
Line Cord - Thailand (models)	43N9029	1
Line Cord - Thailand (models)	43N9030	1
Line Cord - Y cable for Brazil (models)	43N9044	1

7304 Windows XP Pro Recovery CDs	FRU#	CRU
Dutch (models A8G A9G)	63Y8807	1
Hebrew (models A8G A9G)	63Y8810	1
Portuguese (models A8G A9G)	63Y8818	1
Russian English (models A8G A9G)	63Y8814	1
Hungarian (models A8G A9G)	63Y8816	1
Czech (models A8G A9G)	63Y8808	1
Turkish (models A8G A9G)	63Y8815	1
Greek (models A8G A9G)	63Y8817	1
Slovenian (models A8G A9G)	63Y8819	1
Korea (models)	63Y8823	1
US English (models A8G A9G)	64Y5615	1
French (models A8G A9G)	64Y5616	1
German (models A8G A9G)	64Y5617	1
Italian (models)	64Y5647	1
Brazilian Portuguese (models A8G A9G)	64Y5646	1
Spanish (models A8G A9G)	64Y5645	1
Danish (models A8G A9G)	64Y5736	1
Arabic (models A8G A9G)	64Y5739	1
Swedish (models A8G A9G)	64Y5735	1
Finnish (models A8G A9G)	64Y5737	1
Norwegian (models A8G A9G)	64Y5734	1
Polish (models A8G A9G)	64Y5738	1
Russian (models A8G A9G)	64Y5740	1
Japanese (models)	64Y6078	1
Simplified Chinese (models)	64Y5741	1
Traditional Chinese (models)	64Y5742	1
Hong Kong (models)	64Y5743	1

7304 Vista Home Basic 32 Recovery DVDs	FRU#	CRU
English (models)	64Y2512	1
French (models)	64Y2514	1
German (models)	64Y2515	1
Spanish (models)	64Y2516	1
Brazilian Portuguese (models)	64Y2517	1
Italian (models)	64Y2518	1
Japanese (models)	64Y2525	1
Dutch (models)	64Y2532	1
Czech (models)	64Y2519	1
Polish (models)	64Y2520	1
Russian (models)	64Y2521	1
Turkish (models)	64Y2522	1

7304 Vista Home Basic 32 Recovery DVDs	FRU#	CRU
Hungarian (models)	64Y2523	1
Greek (models)	64Y2524	1
Portuguese (models)	64Y2535	1
Simplified Chinese (models)	64Y2526	1
Hong Kong (models)	64Y2528	1
Traditional Chinese (models)	64Y2527	1
Korean (models)	64Y2529	1
Slovenian (models)	64Y2530	1
Russian English (models)	64Y2513	1
Hebrew (models)	64Y2533	1
Arabic enabled (models)	64Y2531	1
Slovakian (models)	64Y2537	1
Romanian (models)	64Y2534	1
Serbian-Latin (models)	64Y2536	1
Miami MUL DVD P/Ns Vista Home Basic 32 C&L 1 Nordics (English DK Fi No SV) (models)	64Y2538	1
Miami MUL DVD P/Ns Vista Home Basic 32 C&L 2 Switzerland (English FR GR IT) (models)	64Y2539	1
Miami MUL DVD P/Ns Vista Home Basic 32 C&L 3 Bel Lux (English FR GR NL) (models)	64Y2540	1

7304 Vista Business 32 Recovery DVDs	FRU#	CRU
English (models A3G A4G)	64Y2425	1
French (models A3G A4G)	64Y2427	1
German (models A3G A4G)	64Y2428	1
Spanish (models A3G A4G)	64Y2429	1
Brazilian (models)	64Y2430	1
Italian (models A3G A4G)	64Y2432	1
Japanese (models)	64Y2438	1
Dutch (models A3G A4G)	64Y2445	1
Czech (models)	64Y2432	1
Polish (models A3G A4G)	64Y2433	1
Russian (models A3G A4G)	64Y2434	1
Turkish (models A3G A4G)	64Y2435	1
Hungarian (models A3G A4G)	64Y2436	1
Greek (models A3G A4G)	64Y2437	1
Portuguese (models)	64Y2448	1
Simplified Chinese (models)	64Y2439	1
Traditional Chinese (models)	64Y2440	1
Hong Kong (models)	64Y2441	1
Korean (models)	64Y2442	1
Slovenian (models A3G A4G)	64Y2443	1

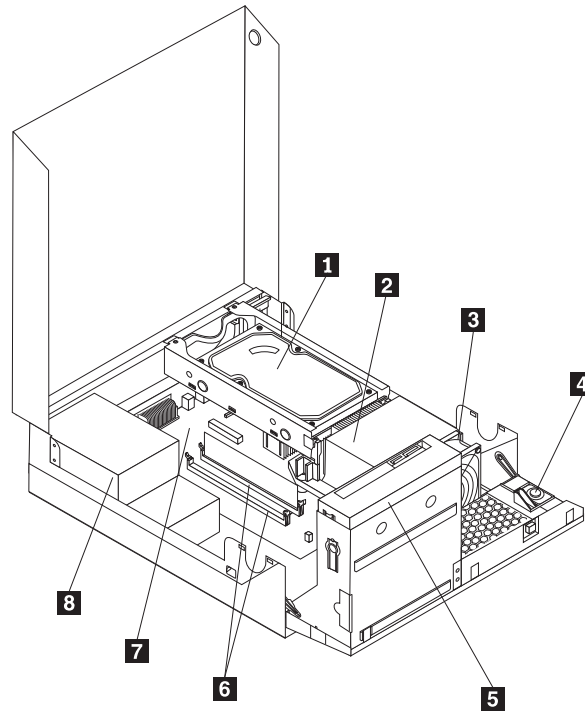
7304 Vista Business 32 Recovery DVDs	FRU#	CRU
Russian English (models A3G A4G)	64Y2426	1
Romanian (models A3G A4G)	64Y2447	1
Sebian-Latin (models A3G A4G)	64Y2449	1
Slovakian (models A3G A4G)	64Y2450	1
Arabic enabled (models A3G A4G)	64Y2444	1
Hebrew (models A3G A4G)	64Y2446	1
Miami MUL DVD P/Ns VB32 C&L1 Nordics (English DK FI NO SV) (models)	64Y2451	1
Miami MUL DVD P/Ns VB32 C&L 2 Switzerland (English FR GR IT) (models)	64Y2452	1
Miami MUL DVD P/Ns VB32 C&L3 Bel Lux (English FR GR NL) (models)	64Y2453	1

7304 Vista VHP 32 Recovery DVDs	FRU#	CRU
English (models)	64Y2541	1
French (models)	64Y2542	1
German (models)	64Y2543	1
Spanish (models)	64Y2544	1
Italian (models)	64Y2546	1
Japanese (models)	64Y2547	1
Hong Kong (models)	64Y2548	1
Korean (models)	64Y2545	1
Miami MUL DVD P/Ns VHP32 C&L1 Nordics (English DK FI NO SV) (models)	64Y2549	1
Miami MUL DVD P/Ns VHP32 C&L 2 Switzerland (English FR GR IT) (models)	64Y2550	1
Miami MUL DVD P/Ns VHP32 C&L3 Bel Lux (English FR GR NL) (models)	64Y2551	1

7304 Vista Business 64 Recovery CDs	FRU#	CRU
English (models)	64Y2561	1
French (models)	64Y2562	1
German (models)	64Y2563	1
Japanese (models)	64Y2564	1
Simplified Chinese (models)	64Y2565	1

7304 Vista Ultimate 32 Recovery CDs	FRU#	CRU
English (models)	64Y2552	1
Japanese (models)	64Y2557	1
French (models)	64Y2553	1
German (models)	64Y2554	1
Spanish (models)	64Y2555	1
Italian (models)	64Y2556	1
HongKong (models)	64Y2558	1
Arabic Localized (models)	64Y2559	1
MUL DVD P/Ns VU32 C&L1 Nordics (EN DK FI NO SV) (models)	64Y2560	1

Machine Type 7306



Item #	7306 FRUs	FRU#	CRU
1	Hard disk drive, SATA 80GB 7200RPM/3Gb/8MB (models A8G)	40Y9035	1
1	Hard disk drive, SATA 250GB 7200RPM/3Gb/8MB (models A9G)	40Y9036	1
1	Hard disk drive, SATA 320GB 7200rpm SATA/8MB (models)	87H4891	1
1	Hard disk drive, SATA 500GB 7200RPM/3Gb/s/8MB (models)	41X5582	1
1	Hard disk drive, 1TB 7200rpm SATA(models)	45C5973	1
1	Hard disk drive, 150G 10K rpm,SATA(models)	46R8893	1
2	Microprocessor, E6550 2.33GHZ/1333MHZ/4M G-0 65W (models)	43C3833	N
2	Microprocessor, E8600 3.33GHZ/1333MHZ/6M E0 65W (models)	46R8640	N
2	Microprocessor, E8500 3.16GHz 1333MHz FSB 6M C-0 65W (models A4G)	45C7735	N
2	Microprocessor, E8400 3.0GHz 1333MHz FSB 6M C-0 65W (models)	45C7736	N
2	Microprocessor, E8300 2.83GHz 1333MHz FSB 6M C-0 65W (models)	45C7737	N
2	Microprocessor, E8200 2.66GHz 1333MHz FSB 6M C-0 65W (models)	45C7738	N
2	Microprocessor, E8190 2.66GHz 1333MHz FSB 6M C-0 - NON VT/Vpro 65W (models)	45R2568	N
2	Microprocessor, E7200 2.53GHz 1066MHz FSB 3M M-0 65W (models)	45R8337	N
2	Microprocessor, E7300 2.66GHz 1066MHz FSB 3M M-0 65W (models A3G)	46R1622	N
2	Microprocessor, E7400 2.8GHZ 1066M 3M R0 (ViiV,EIST,EM64T,EDB) 65W (models A7G)	53Y6653	N
2	Microprocessor, E7500 2.93GHZ 1066M 3M R0 (ViiV,EIST,EM64T,EDB) 65W (models A9G)	53Y6654	N
2	Microprocessor, E2160 Conroe-L 1.8GHz 800MHz FSB 1M (models)	43C1968	N
2	Microprocessor, E2180 Conroe-L 2.0GHz 800MHz FSB 1M (models)	45C1773	N

Item #	7306 FRUs	FRU#	CRU
2	Microprocessor, E2200 Conroe-L 2.2GHz 800MHz FSB 1M (models)	45C5349	N
2	Microprocessor, E2220 Conroe-L 2.4GHz 800MHz FSB 1M (models)	45C1774	N
2	Microprocessor, E5200 800MHz 2M M-0 65W, 45nm (models)	46R9512	N
2	Microprocessor, E5300 2.6GHz 800MHz 2MB R0 (EIST,EM64T,EDB) 65W (models)	53Y9049	N
2	Microprocessor, E1600 2.4GHZ/800MHZ/512K - NPI M-0 65W (models)	46R1655	N
2	Microprocessor, E1400 2.0GHz 800MHz FSB 512K - NPI M-0 65W (models)	45R8339	N
2	Microprocessor, E1200 1.6GHZ/800MHZ/512K M-0 65W (models)	45R8341	N
2	Microprocessor, E1500 2.2GHz 800MHz 512KB (EIST,EM64T,EDB) M0 65W (models)	53Y9051	N
2	Microprocessor, Cel-420 Conroe-L 1.6GHz 800MHz FSB 512K (models)	43C3835	N
2	Microprocessor, Cel-430 Conroe-L 1.8GHz 800MHz FSB 512K (models)	43C1964	N
2	Microprocessor, Cel-440 Conroe-L 2.0GHz 800MHz FSB 512K (models)	43C1965	N
2	Microprocessor, Cel-450 2.2GHz 800MHz FSB 512K 35W (models)	46R9514	N
2	Microprocessor, Q9650 3.0GHZ 1333FSB 12MB VT, TXT E-0 95W (models)	46R8642	N
2	Microprocessor, Q9400 2.66GHZ 1333FSB 6MB VT, TXT R-0 95W (models)	46R8644	N
2	Microprocessor, Q8200 2.33GHz 1333FSB 4M M-1 95W (models)	46R9516	N
2	Microprocessor, Q8300 Yorkfield 2.5GHZ,1333MHz,4M R-0 (ViiV,EIST,EM64T,EDB) (models)	53Y6656	N
2	Microprocessor, Q6600 2.4GHZ 1066FSB 8M G-0 Stepping Level, 95W (models)	43C1695	N
2	Microprocessor, Q6700 2.66GHZ 1066FSB 8M G-0 Stepping Level, 95W (models)	43C6309	N
2	Microprocessor, Q9550 2.83GHZ 1333FSB 12M C-1 95W (models)	45C7739	N
2	Microprocessor, Q9450 Yorkfield 2.66GHZ 1333FSB 12M C-1 95W (models)	45C7740	N
2	Microprocessor, Q9300 Yorkfield 2.50GHZ 1333FSB 6M M-1 95W (models)	45C7741	N
2	Microprocessor, E5400 2.7G 800MHz-2MB R-0 65W Non-vPro (models A8G)	64Y1075	N
3	Heat Sink, 95W heatsink Kit for 607BT, with RM (all models)	41R6454	2
3	Heat Sink, 65W heatsink Kit for 607BT, with RM (all models)	43N9349	2
4	Speaker, internal speaker 254mm -optional (all models)	39K5012	2
5	DVD-ROM Drive - 16x/48x - SATA Vista & non-Vista (models A5G A6G A7G)	41N3325	1
5	DVD Recordable/CD-RW Rambo 8 - SATA Vista & non-Vista (models A8G A9G)	43C1042	1
6	Memory module, 512MB PC2-5300 (667MHz) DDR2 SDRAM (models)	41X4255	1
6	Memory module, 1GB PC2-5300 (667MHz) DDR2 SDRAM (models)	41X4256	1
6	Memory module, 2GB PC2-5300 (667MHz) DDR2 SDRAM (models)	41X4257	1
6	Memory module, 512MB PC2-6400 (800MHz) DDR2 SDRAM (models)	41X1079	1
6	Memory module, 1GB PC2-6400 (667MHz) DDR2 SDRAM (models A5G A6G A7G)	41X1080	1
6	Memory module, 2GB PC2-6400 (667MHz) DDR2 SDRAM (models A8G A9G)	41X1081	1
7	System board, Intel G41 BTX(GA) SFF non-AMT(models A8G A9G)	46R8892	N
7	System board, Intel G41 BTX(GA) -NB upgrade (models A8G A9G)	64Y9198	N
8	Power supply, 280W Active PFC power supply(Auto sensing) for 10L---Robust,WW,JP (models A8G A9G)	41A9701	N
8	Power supply, 280W 85+ power supply for 10L---Robust,WW,JP (models A8G A9G)	41A9742	N

Item #	7306 FRUs	FRU#	CRU
8	Power supply,280W Active PFC power supply(Auto sensing) for 10L---Robust,WW,JP (models A8G A9G)	45J9418	N
8	Power supply, 280W 85+ power supply for 10L---Robust,WW,JP (models A8G A9G)	45J9423	N

The FRUs listed in the following tables are not illustrated.

7306 FRUs	FRU#	CRU
Cabel, SATA 700mm (RoHS) for ODD / 2st HDD (all models)	43N9011	2
Cabel -SATA 600mm (RoHS) for ODD / 2st HDD sub from 43N9011 (all models)	45J9579	2
Thermal Grease --ShinEtsu 7783D 1g Syringe (all models)	91P8835	2
Rubber foot for horizontal (all models)	43N9728	1
C2 Intrusion Switch 260mm (all models)	43N9080	2
Rear IO shield BTX (all models)	41R6381	2
Temp Sense Cable (165 mm)(all models)	43N9079	N
Universal Adapter Bracket 5.25 to 3.5 W/Bezel, 607BT (all models)	43N9584	2
Vertical Stand, recycle resin (all models)	43N9585	2
Vertical Stand, recycle resin (all models)	43N9644	2
Air Deflector, recycle resin, milan (all models)	43N9610	1
Cable,Luxshare,LED/switch cable R(nonPCB 220mm 10L) for Milan (all models)	43N9075	2
607BT Optical Bezel Asm (all models)	43N9589	2
607BT,NO ODD, Blank Bezel, Plastic (all models)	43N9590	1
Cardreader Bezel, Milan/607BT (all models)	43N9591	1
Non-Cardreader Bezel, Milan/607BT (all models)	43N9592	1
HDD TRAY ASM (all models)	43N9595	1
FRONTCAGE ASM (all models)	43N9596	1
Chassis for Miami (all models)	43N9650	N
Cable,Front I_O cable_R(10L_U380_A550)_ESD (all models)	45J9509	N
Models with 3.5" Convert 2.5" for 150GB 10K rpm HDD (1st HDD bay) (all models)	43N9645	2
Cable-SATA 250mm (RoHS) for 1st HDD (all models)	43N9012	2
BATTERY 3V-LITHIUM (models A8G A9G)	45C1566	1

7306 Keyboard (Lenovo Preferred Pro USB -- without hub)	FRU#	CRU Tier
US English (models A8G A9G)	41A5289	1
Arabic (models A8G A9G)	41A5290	1
Arabic/French (models A8G A9G)	41A5291	1
Belgian/French (models A8G A9G)	41A5292	1
Belgian/English (models A8G A9G)	41A5293	1
Brazilian Portuguese (models)	41A5294	1
Bulgarian (models A8G A9G)	41A5295	1
Chinese/US (models)	41A5296	1
Czech (models A8G A9G)	41A5297	1

7306 Keyboard (Lenovo Preferred Pro USB -- without hub)	FRU#	CRU Tier
Danish (models A8G A9G)	41A5298	1
Dutch (models A8G A9G)	41A5299	1
French (models A8G A9G)	41A5300	1
French Canadian (models A8G A9G)	41A5301	1
French Canadian (models A8G A9G)	41A5302	1
German (models A8G A9G)	41A5303	1
Greek (models A8G A9G)	41A5304	1
Greek/US (models A8G A9G)	41A5305	1
Hebrew (models A8G A9G)	41A5306	1
Hungarian (models A8G A9G)	41A5307	1
Iceland (models A8G A9G)	41A5308	1
Italian (models A8G A9G)	41A5309	1
Japanese (models)	41A5310	1
Korean (models)	41A5311	1
LA Spanish (models)	41A5312	1
Norwegian (models A8G A9G)	41A5313	1
Polish (models A8G A9G)	41A5314	1
Portuguese (models A8G A9G)	41A5315	1
Romanian (models A8G A9G)	41A5316	1
Romanian (models A8G A9G)	41A5317	1
Russian/Cyrillic (models A8G A9G)	41A5318	1
Serbian/Cyrillic (models A8G A9G)	41A5319	1
Slovak (models A8G A9G)	41A5320	1
Spanish (models A8G A9G)	41A5321	1
Swedish/Finnish (models A8G A9G)	41A5322	1
Swiss (models A8G A9G)	41A5323	1
Thailand (models)	41A5324	1
Turkish (models A8G A9G)	41A5325	1
Turkish (models A8G A9G)	41A5326	1
UK English (models A8G A9G)	41A5327	1
US Euro (models A8G A9G)	41A5328	1
Slovenian (models A8G A9G)	41A5329	1
Arabic(New) (models A8G A9G)	45J4880	1
Lithuanian (models A8G A9G)	45J4896	1

7306 Keyboard (Lenovo Fingerprint Reader USB)	FRU#	CRU Tier
US English (models)	41R0038	1
Arabic (models)	41R0039	1
Arabic/French (models)	41R0040	1
Belgian/French (models)	41R0041	1
Belgian/English (models)	41R0042	1

7306 Keyboard (Lenovo Fingerprint Reader USB)	FRU#	CRU Tier
Brazilian Portuguese (models)	41R0043	1
Bulgarian (models)	41R0044	1
Chinese/US (models)	41R0045	1
Czech (models)	41R0046	1
Danish (models)	41R0047	1
Dutch (models)	41R0048	1
French (models)	41R0049	1
French Canadian (models)	41R0050	1
French Canadian (models)	41R0051	1
German (models)	41R0052	1
Greek (models)	41R0053	1
Greek/US (models)	41R0054	1
Hebrew (models)	41R0055	1
Hungarian (models)	41R0056	1
Iceland (models)	41R0057	1
Italian (models)	41R0058	1
Japanese (models)	41R0059	1
Korean (models)	41R0060	1
LA Spanish (models)	41R0061	1
Norwegian (models)	41R0062	1
Polish (models)	41R0063	1
Portuguese (models)	41R0064	1
Romanian (models)	41R0065	1
Romanian (models)	41R0066	1
Russian/Cyrillic (models)	41R0067	1
Serbian/Cyrillic (models)	41R0068	1
Slovak (models)	41R0069	1
Spanish (models)	41R0070	1
Swedish/Finnish (models)	41R0071	1
Swiss (models)	41R0072	1
Thailand (models)	41R0073	1
Turkish (models)	41R0074	1
Turkish (models)	41R0075	1
UK English (models)	41R0076	1
US Euro (models)	41R0077	1
Slovenian (models)	41R0078	1

7306 Keyboard (Lenovo Preferred Pro PS/2 Full Size)	FRU#	CRU Tier
US English (models)	41A5039	1
Arabic (models)	41A5040	1
Arabic/French (models)	41A5041	1

7306 Keyboard (Lenovo Preferred Pro PS/2 Full Size)	FRU#	CRU Tier
Belgian/French (models)	41A5042	1
Belgian/English (models)	41A5043	1
Brazilian Portuguese (models)	41A5044	1
Bulgarian (models)	41A5045	1
Chinese/US (models)	41A5046	1
Czech (models)	41A5047	1
Danish (models)	41A5048	1
Dutch (models)	41A5049	1
French (models)	41A5050	1
French Canadian (models)	41A5051	1
French Canadian (models)	41A5052	1
German (models)	41A5053	1
Greek (models)	41A5054	1
Greek/US (models)	41A5080	1
Hebrew (models)	41A5055	1
Hungarian (models)	41A5056	1
Iceland (models)	41A5057	1
Italian (models)	41A5058	1
Japanese (models)	41A5059	1
Korean (models)	41A5060	1
LA Spanish (models)	41A5061	1
Norwegian (models)	41A5062	1
Polish (models)	41A5063	1
Portuguese (models)	41A5064	1
Romanian (models)	41A5065	1
Russian/Cyrillic (models)	41A5066	1
Serbian/Cyrillic (models)	41A5067	1
Slovak (models)	41R0068	1
Spanish (models)	41R0069	1
Swedish/Finnish (models)	41A5070	1
Swiss (models)	41A5071	1
Thailand (models)	41A5072	1
Turkish (models)	41A5073	1
Turkish (models)	41A5074	1
UK English (models)	41A5075	1
US Euro (models)	41A5076	1
Slovenian (models)	41A5077	1

7306 mice	FRU#	CRU
Optical Wheel Mouse (400DPI, USB) (models A8G A9G)	41U3013	1
Optical Wheel Mouse (400DPI, USB) (models A8G A9G)	41U3030	1

7306 mice	FRU#	CRU
PS/2 2 Button Ball Mouse (models)	41R0018	1

7306 Adapters and miscellaneous FRUs	FRU#	CRU
Internal USB 20 in 1 Memory Card Reader Slim SFF (models)	46R1529	1
IEEE 1394 Firewire Adapter SFF (ROCKYS) (models)	41D2781	1
Soft Modem V.90/V.44 SFF (ROCKYS) (models)	29R9729	1
Speaker Power brick - US, Canada, LA low voltage, ASEAN (models)	89P8571	1
Speaker Power brick - LA high voltage (non-APU) (models)	89P8575	1
Speaker Power brick - SIMPLIFIED -CHN, Thailand EMEA (models A8G A9G)	89P8581	1
Speaker Power brick - JAPANESE (models)	89P8577	1
Speaker Power brick - Brazil (models)	89P8583	1
Speaker Power brick - Argentina (models)	41A4901	1
Speaker Power brick - ANZ (models)	89P8579	1
Speaker Power brick - KOREA (models)	41A4903	1
Speaker Power brick - HONG KONG, EMEA,IRELAND (models A8G A9G)	89P8573	1
Speaker Power brick -TAIWAN-TC (models)	41A4905	1
Speaker Power brick - INDIA, South Africa (models)	89P8585	1
2-pc external speaker--primary (models)	41A5331	1
2-pc external speaker-secondary (models)	41A5334	1
DVI-I(M)-VGA(F) cord (models)	41R3342	1
ATI HD3470 GDDR3 256MB - VGA+DP (models)	46R1521	1
ADD2 DVI-D Adapter, (HDCP) DVD-D connection Adapter Low Profile(Silicon Image) (models)	43C0258	1
DisplayPort to DVI-D Dongle (models)	43N9160	1
DisplayPort to VGA Dongle (models)	45J9524	1
Modem phone cable (models)	39K5120	1
LI140mm Rear Com2 cable II mini® SFF (models)	43N9062	2
Rear USB 2Ports II LP® 350mm (models)	43N9124	2
Nvidia G100 DDR2 256MB LP - DVI-I (With DVI-I to VGA Dongle) (models)	53Y9341	1

7306 Line Cords	FRU#	CRU
Line cord - US (models)	41R3184	1
Line cord - US (models)	41R3185	1
Line cord - China (models)	41R3256	1
Line cord - China (models)	41R3257	1
Line cord - Japanese and Japanese English (models)	41R3248	1
Line cord - Japanese and Japanese English (models)	41R3249	1
Line cord - Brazil (models)	41R3270	1
Line cord - Brazil (models)	41R3271	1
Line cord - LA High Volt APU (models)	41R3176	1
Line Cord - LA High Volt APU (models)	41R3177	1

7306 Line Cords	FRU#	CRU
Line cord - ANZ (models)	41R3196	1
Line cord - ANZ (models)	41R3197	1
Line Cord - Korea (models)	41R3260	1
Line Cord - Korea (models)	41R3261	1
Line Cord - UK, Ireland, Singapore, Malaysia, Brunei (models)	41R3224	1
Line Cord - UK, Ireland, Singapore, Malaysia, Brunei (models)	41R3225	1
Line Cord - Taiwan (models)	41R3278	1
Line Cord - Taiwan (models)	41R3279	1
Line Cord - Italy (models)	41R3232	1
Line Cord - Italy (models)	41R3233	1
Line Cord - Indonesia, Laos, Cambodia, and Vietnam (models)	41R3208	1
Line Cord - Indonesia, Laos, Cambodia, and Vietnam (models)	41R3209	1
Line Cord - Denmark (models A8G A9G)	41R3212	1
Line Cord - Denmark (models A8G A9G)	41R3213	1
Line Cord - Switzerland (models A8G A9G)	41R3228	1
Line Cord - Switzerland (models A8G A9G)	41R3229	1
Line Cord - Israel (models A8G A9G)	41R3236	1
Line Cord - Israel (models A8G A9G)	41R3237	1
Line Cord - South Africa (models A8G A9G)	41R3220	1
Line Cord - South Africa (models A8G A9G)	41R3221	1
Line Cord - India (models)	41R3341	1
Line Cord - India (models)	41R3175	1
Line Cord - Thailand (models)	43N9029	1
Line Cord - Thailand (models)	43N9030	1
Line Cord - Y cable for Brazil Line Cord - India (models)	43N9044	1

7306 Windows XP Pro Recovery CDs	FRU#	CRU
Dutch (models A8G A9G)	63Y8807	1
Hebrew (models A8G A9G)	63Y8810	1
Portuguese (models A8G A9G)	63Y8818	1
Russian English (models A8G A9G)	63Y8814	1
Hungarian (models A8G A9G)	63Y8816	1
Czech (models A8G A9G)	63Y8808	1
Turkish (models A8G A9G)	63Y8815	1
Greek (models A8G A9G)	63Y8817	1
Slovenian (models A8G A9G)	63Y8819	1
Korea (models)	63Y8823	1
US English (models A8G A9G)	64Y5615	1
French (models A8G A9G)	64Y5616	1
German (models A8G A9G)	64Y5617	1
Italian (models)	64Y5647	1

7306 Windows XP Pro Recovery CDs	FRU#	CRU
Brazilian Portuguese (models A8G A9G)	64Y5646	1
Spanish (models A8G A9G)	64Y5645	1
Danish (models A8G A9G)	64Y5736	1
Arabic (models A8G A9G)	64Y5739	1
Swedish (models A8G A9G)	64Y5735	1
Finnish (models A8G A9G)	64Y5737	1
Norwegian (models A8G A9G)	64Y5734	1
Polish (models A8G A9G)	64Y5738	1
Russian (models A8G A9G)	64Y5740	1
Japanese (models)	64Y6078	1
Simplified Chinese (models)	64Y5741	1
Traditional Chinese (models)	64Y5742	1
Hong Kong (models)	64Y5743	1

7306 Vista Home Basic 32 Recovery DVDs	FRU#	CRU
English (models)	64Y2512	1
French (models)	64Y2514	1
German (models)	64Y2515	1
Spanish (models)	64Y2516	1
Brazilian Portuguese (models)	64Y2517	1
Italian (models)	64Y2518	1
Japanese (models)	64Y2525	1
Dutch (models)	64Y2532	1
Czech (models)	64Y2519	1
Polish (models)	64Y2520	1
Russian (models)	64Y2521	1
Turkish (models)	64Y2522	1
Hungarian (models)	64Y2523	1
Greek (models)	64Y2524	1
Portuguese (models)	64Y2535	1
Simplified Chinese (models)	64Y2526	1
Hongkong (models)	64Y2528	1
Traditional Chinese (models)	64Y2527	1
Korean (models)	64Y2529	1
Slovenian (models)	64Y2530	1
Russian English (models)	64Y2513	1
Hebrew (models)	64Y2533	1
Arabic enabled (models)	64Y2531	1
Slovakian (models)	64Y2537	1
Romanian (models)	64Y2534	1
Serbian-Latin (models)	64Y2536	1

7306 Vista Home Basic 32 Recovery DVDs	FRU#	CRU
Miami MUL DVD P/Ns Vista Home Basic 32 C&L1 Nordics (English DK Fi No SV) (models)	64Y2538	1
Miami MUL DVD P/Ns Vista Home Basic 32 C&L 2 Switzerland (English FR GR IT) (models)	64Y2539	1
Miami MUL DVD P/Ns Vista Home Basic 32 C&L3 Bel Lux (English FR GR NL) (models)	64Y2540	1

7306 Vista Business 32 Recovery DVDs	FRU#	CRU
English (models A3G A4G)	64Y2425	1
French (models A3G A4G)	64Y2427	1
German (models A3G A4G)	64Y2428	1
Spanish (models A3G A4G)	64Y2429	1
Brazilian (models)	64Y2430	1
Italian (models A3G A4G)	64Y2432	1
Japanese (models)	64Y2438	1
Dutch (models)	64Y2445	1
Czech (models)	64Y2432	1
Polish (models A3G A4G)	64Y2433	1
Russian (models A3G A4G)	64Y2434	1
Turkish (models A3G A4G)	64Y2435	1
Hungarian (models A3G A4G)	64Y2436	1
Greek (models A3G A4G)	64Y2437	1
Portuguese (models A3G A4G)	64Y2448	1
Simplified Chinese (models)	64Y2439	1
Trad Chinese (models)	64Y2440	1
HongKong (models)	64Y2441	1
Korean (models)	64Y2442	1
Slovenian (models)	64Y2443	1
Russian English (models A3G A4G)	64Y2426	1
Romanian (models A3G A4G)	64Y2447	1
Serbian-Latin (models)	64Y2449	1
Slovakian (models A3G A4G)	64Y2450	1
Arabic enabled (models)	64Y2444	1
Hebrew (models A3G A4G)	64Y2446	1
Miami MUL DVD P/Ns VB32 C&L1 Nordics (English DK FI NO SV) (models A3G A4G)	64Y2451	1
Miami MUL DVD P/Ns VB32 C&L 2 Switzerland (English FR GR IT) (models A3G A4G)	64Y2452	1
Miami MUL DVD P/Ns VB32 C&L3 Bel Lux (English FR GR NL) (models A3G A4G)	64Y2453	1

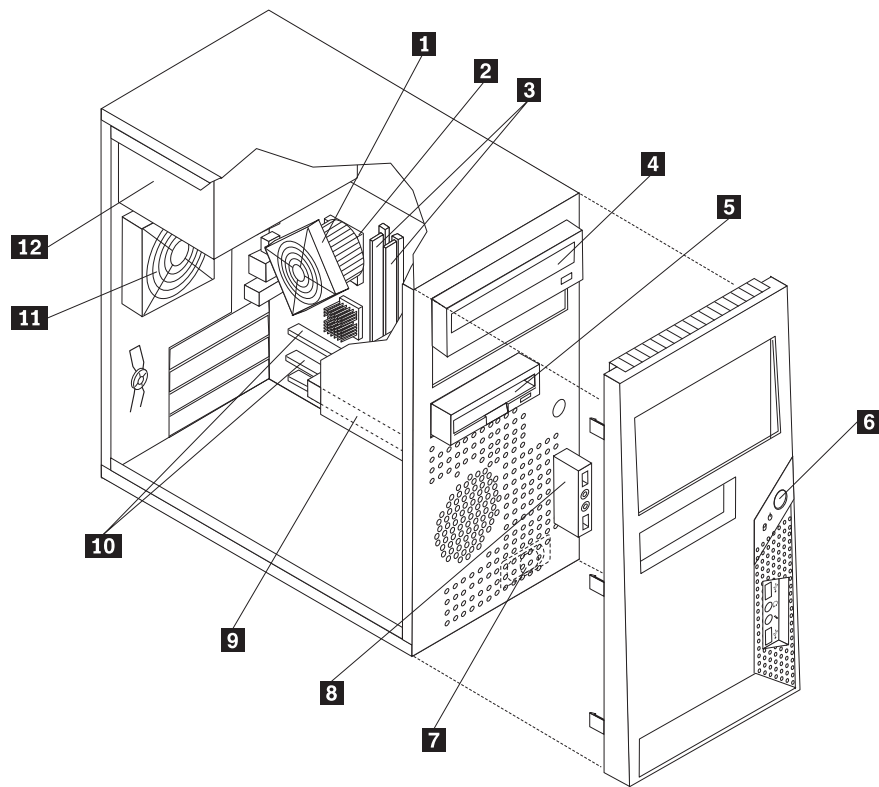
7306 Vista VHP 32 Recovery DVDs	FRU#	CRU
English (models)	64Y2541	1
French (models)	64Y2542	1
German (models)	64Y2543	1

7306 Vista VHP 32 Recovery DVDs	FRU#	CRU
Spanish (models)	64Y2544	1
Italian (models)	64Y2546	1
Japanese (models)	64Y2547	1
Hong Kong (models)	64Y2548	1
Korean (models)	64Y2545	1
Miami MUL DVD P/Ns VHP32 C&L1 Nordics (English DK FI NO SV) (models)	64Y2549	1
Miami MUL DVD P/Ns VHP32 C&L 2 Switzerland (English FR GR IT) (models)	64Y2550	1
Miami MUL DVD P/Ns VHP32 C&L3 Bel Lux (English FR GR NL) (models)	64Y2551	1

7306 Vista Business 64 Recovery CDs	FRU#	CRU
English (models)	64Y2561	1
French (models)	64Y2562	1
German (models)	64Y2563	1
Japanese (models)	64Y2564	1
Simplified Chinese (models)	64Y2565	1

7306 Vista Ultimate 32 Recovery CDs	FRU#	CRU
English (models)	64Y2552	1
Japanese (models)	64Y2557	1
French (models)	64Y2553	1
German (models)	64Y2554	1
Spanish (models)	64Y2555	1
Italian (models)	64Y2556	1
HongKong (models)	64Y2558	1
Arabic Localized (models)	64Y2559	1
MUL DVD P/Ns VU32 C&L1 Nordics (EN DK FI NO SV) (models)	64Y2560	1

Machine Type 7307



Item #	7307 FRUs	FRU#	CRU
1	Heat Sink, Intel 95W/65W Heatsink (all models)	43N9409	2
2	Microprocessor, E6550 2.33GHZ/1333MHZ/4M G-0 65W (models)	43C3833	N
2	Microprocessor, E8600 3.33GHZ/1333MHZ/6M E0 65W (models)	46R8640	N
2	Microprocessor, E8500 3.16GHz 1333MHz FSB 6M C-0 65W (models)	45C7735	N
2	Microprocessor, E8400 3.0GHz 1333MHz FSB 6M C-0 65W (models A1U A1F A1S A1P A1L A1D A1Y A1G A1M A1A A1Q A1T A1C A1B A1H A1V A1K A1R A1E A1J)	45C7736	N
2	Microprocessor, E8300 2.83GHz 1333MHz FSB 6M C-0 65W (models)	45C7737	N
2	Microprocessor, E8200 2.66GHz 1333MHz FSB 6M C-0 65W (models)	45C7738	N
2	Microprocessor, E8190 2.66GHz 1333MHz FSB 6M C-0 - NON VT/Vpro 65W (models)	45R2568	N
2	Microprocessor, E7200 2.53GHz 1066MHz FSB 3M M-0 65W (models)	45R8337	N
2	Microprocessor, E7300 2.66GHz 1066MHz FSB 3M M-0 65W (models)	46R1622	N
2	Microprocessor, E7400 2.8GHZ 1066M 3M R0 (ViiV,EIST,EM64T,EDB) 65W (models)	53Y6653	N
2	Microprocessor, E7500 2.93GHZ 1066M 3M R0 (ViiV,EIST,EM64T,EDB) 65W (models)	53Y6654	N
2	Microprocessor, E2160 Conroe-L 1.8GHz 800MHz FSB 1M (models)	43C1968	N
2	Microprocessor, E2180 Conroe-L 2.0GHz 800MHz FSB 1M (models)	45C1773	N
2	Microprocessor, E2200 Conroe-L 2.2GHz 800MHz FSB 1M (models)	45C5349	N
2	Microprocessor, E2220 Conroe-L 2.4GHz 800MHz FSB 1M (models)	45C1774	N

Item #	7307 FRUs	FRU#	CRU
2	Microprocessor, E5200 800MHz 2M M-0 65W, 45nm (models)	46R9512	N
2	Microprocessor, E5300 2.6GHz 800MHz 2MB R0 (EIST,EM64T,EDB) 65W (models)	53Y9049	N
2	Microprocessor, E1600 2.4GHZ/800MHZ/512K - NPI M-0 65W (models)	46R1655	N
2	Microprocessor, E1400 2.0GHz 800MHz FSB 512K - NPI M-0 65W (models)	45R8339	N
2	Microprocessor, E1200 1.6GHZ/800MHZ/512K M-0 65W (models)	45R8341	N
2	Microprocessor, E1500 2.2GHz 800MHz 512KB (EIST,EM64T,EDB) M0 65W (models)	53Y9051	N
2	Microprocessor, Cel-420 Conroe-L 1.6GHz 800MHz FSB 512K (models)	43C3835	N
2	Microprocessor, Cel-430 Conroe-L 1.8GHz 800MHz FSB 512K (models)	43C1964	N
2	Microprocessor, Cel-440 Conroe-L 2.0GHz 800MHz FSB 512K (models)	43C1965	N
2	Microprocessor, Cel-450 2.2GHz 800MHz FSB 512K 35W (models)	46R9514	N
2	Microprocessor, Q9650 3.0GHZ 1333FSB 12MB VT, TXT E-0 95W (models)	46R8642	N
2	Microprocessor, Q9400 2.66GHZ 1333FSB 6MB VT, TXT R-0 95W (models)	46R8644	N
2	Microprocessor, Q8200 2.33GHZ 1333FSB 4M M-1 95W (models)	46R9516	N
2	Microprocessor, Q8300 Yorkfield 2.5GHZ,1333MHz,4M R-0 (ViiV,EIST,EM64T,EDB) (models)	53Y6656	N
2	Microprocessor, Q6600 2.4GHZ 1066FSB 8M G-0 Stepping Level, 95W (models)	43C1695	N
2	Microprocessor, Q6700 2.66GHZ 1066FSB 8M G-0 Stepping Level, 95W (models)	43C6309	N
2	Microprocessor, Q9550 2.83GHZ 1333FSB 12M C-1 95W (models)	45C7739	N
2	Microprocessor, Q9450 Yorkfield 2.66GHZ 1333FSB 12M C-1 95W (models)	45C7740	N
2	Microprocessor, Q9300 Yorkfield 2.50GHZ 1333FSB 6M M-1 95W (models)	45C7741	N
3	Memory module, 512MB PC2-5300 (667MHz) DDR2 SDRAM (models)	41X4255	1
3	Memory module, 1GB PC2-5300 (667MHz) DDR2 SDRAM (models)	41X4256	1
3	Memory module, 2GB PC2-5300 (667MHz) DDR2 SDRAM (models)	41X4257	1
3	Memory module, 512MB PC2-6400 (800MHz) DDR2 SDRAM (models)	41X1079	1
3	Memory module, 1GB PC2-6400 (667MHz) DDR2 SDRAM (models)	41X1080	1
3	Memory module, 2GB PC2-6400 (667MHz) DDR2 SDRAM (models A1U A1F A1S A1P A1L A1D A1Y A1G A1M A1A A1Q A1T A1C A1B A1H A1V A1K A1R A1E A1J)	41X1081	1
4	Optical drive, DVD-ROM Drive - 16x/48x - SATA Vista & non-Vista (models)	41N3325	1
4	Optical drive, DVD Recordable/CD-RW Rambo 8 - SATA Vista & non-Vista (models A1U A1F A1S A1P A1L A1D A1Y A1G A1M A1A A1Q A1T A1C A1B A1H A1V A1K A1R A1E A1J)	43C1042	1
4	Optical drive, Blu-ray Recorder / DVD Super Multi (models)	53Y7643	1
5	Floppy Diskette Driver - 3.5" 1.44MB 2 Mode FDD with Bezel and cable Tower (models)	40Y9107	1
5	Floppy Diskette Driver - 3.5" 1.44MB 2 Mode FDD with Bezel and cable Tower (models)	40Y9105	1
6	Power switch / LED assembly (all models)	43N9074	1
7	Speaker, Internal speaker 400mm --optional (all models)	43N9091	1
8	Front audio / USB assembly (all models)	43N9076	1
9	Hard disk drive, SATA 80GB 7200RPM/3Gb/8MB (models A1U A1F A1S A1P A1L A1D A1Y A1G A1M A1A A1Q A1T A1C A1B A1H A1V A1K A1R A1E A1J)	40Y9035	1

Item #	7307 FRUs	FRU#	CRU
9	Hard disk drive, SATA 250GB 7200RPM/3Gb/8MB (models)	40Y9036	1
9	Hard disk drive, SATA 320GB 7200rpm SATA/8MB (models)	87H4891	1
9	Hard disk drive, SATA 500GB 7200RPM/3Gb/s/8MB (models)	41X5582	1
9	Hard disk drive, 1TB 7200rpm SATA (models)	45C5973	1
9	Hard disk drive, 150G 10K rpm,SATA (models)	46R8893	1
10	System board, Intel G41 MATX(GA) Tower non-AMT (models A1U A1F A1S A1P A1L A1D A1Y A1G A1M A1A A1Q A1T A1C A1B A1H A1V A1K A1R A1E A1J)	46R8891	N
10	System board, Intel G41 MATX(GA) -NB upgrade (models A1U A1F A1S A1P A1L A1D A1Y A1G A1M A1A A1Q A1T A1C A1B A1H A1V A1K A1R A1E A1J)	64Y9197	N
11	Rear system fan (all models)	41R6269	2
12	Power supply, 280W Active PFC power supply(Auto sensing) for 10L---Robust,WW,JP (models A1U A1F A1S A1P A1L A1D A1Y A1G A1M A1A A1Q A1T A1C A1B A1H A1V A1K A1R A1E A1J)	41A9721	2
12	Power supply, 280W 85+ power supply for 10L---Robust,WW,JP (models A1U A1F A1S A1P A1L A1D A1Y A1G A1M A1A A1Q A1T A1C A1B A1H A1V A1K A1R)	41A9684	2
12	Power supply, ATX 280W 80% power supply;Robust,WW,JP (models A1U A1F A1S A1P A1L A1D A1Y A1G A1M A1A A1Q A1T A1C A1B A1H A1V A1K A1R A1E A1J)	41A9665	2
12	Power supply, ATX 320W 88% Power supply; WW, Robust,JP (models A1U A1F A1S A1P A1L A1D A1Y A1G A1M A1A A1Q A1T A1C A1B A1H A1V A1K A1R A1E A1J)	45J9410	2
12	Power supply, 280W Watt ATX Power supply (85plus)-WW, Robust,JP (models A1U A1F A1S A1P A1L A1D A1Y A1G A1M A1A A1Q A1T A1C A1B A1H A1V A1K A1R A1E A1J)	45J9431	2

The FRUs listed in the following tables are not illustrated.

7307 FRUs	FRU#	CRU
Shield, 5.25 EMC FOR 1st ODD Bay (all models)	41N8080	1
Cable -SATA 457mm (RoHS) for ODD (all models)	43N9013	2
Intrusion Switch Asm Tamdhu 475mm --Optional (all models)	39K5022	2
2st HDD SATA cable, 120mm, 1 latching for Device, RoHS (all models)	41R3328	2
Cable-SATA 250mm (RoHS) for 1st HDD (all models)	43N9012	2
Secondl HDD Bracket Asm for TamdhuIII (all models)	41R6106	1
Temp Sense Cable (6pin 460 mm) (all models)	45J9495	2
Front FAN 2X500G HDD or 500GB+1TB Only (all models)	41R4791	2
FDD Cable-TamdhuIII (all models)	41A7182	2
FDD Cable, 310mm (all modles)	41A7147	2
Card Reader Retainer-TamdhuII (all models)	41R2913	1
No OptiCal Bezel Kit - Tamdhu II (all models)	41N8077	1
Cover (all models)	41N8050	1
I/O Shield - Ace (all models)	41N8053	2
Intrusion Switch asm (all models)	41R6116	2
4 Pin System Fan For Tamdhu2, Apollo (all models)	41R6269	2
HDD TRAY, TAMDHU (all models)	41R6291	1

7307 FRUs	FRU#	CRU
Asm Chassis Without IBM Mark, Recycle (all models)	43N9415	N
ODD/FDD/Cardreader Retainers, Tamdhu (all models)	43N9351	2
Blank 5.25" Bezel, Recycle (all models)	43N9413	2
ASM BEZEL, WITHOUT IBM MARK, Recycle (all models)	43N9412	1
Cable Clip, FW-6D (all models)	43N9462	2
BATTERY 3V-LITHIUM (models A1U A1F A1S A1P A1L A1D A1Y A1G A1M A1A A1Q A1T A1C A1B A1H A1V A1K A1R A1E A1J)	45C1566	1
3.5" Convert 2.5" for 150GB 10K rpm HDD (1st HDD bay) (models)	43N9593	2

7307 Keyboard (Lenovo Preferred Pro USB -- without hub)	FRU#	CRU Tier
US English (models A1U A1L A1G A1M A1A A1Q A1H A1R A1E)	41A5289	1
Arabic (models A1G)	41A5290	1
Arabic/French (models A1G)	41A5291	1
Belgian/French (models A1G)	41A5292	1
Belgian/English (models A1G)	41A5293	1
Brazilian Portuguese (models A1P)	41A5294	1
Bulgarian (models A1G)	41A5295	1
Chinese/US (models A1B A1V)	41A5296	1
Czech (models A1G)	41A5297	1
Danish (models A1G)	41A5298	1
Dutch (models A1G)	41A5299	1
French (models A1G)	41A5300	1
French Canadian (models A1F A1G)	41A5301	1
French Canadian (models A1F A1G)	41A5302	1
German (models A1G)	41A5303	1
Greek (models A1G)	41A5304	1
Greek/US (models A1G)	41A5305	1
Hebrew (models A1G)	41A5306	1
Hungarian (models A1G)	41A5307	1
Iceland (models A1G)	41A5308	1
Italian (models A1G)	41A5309	1
Japanese (models A1J)	41A5310	1
Korean (models A1K)	41A5311	1
LA Spanish (models A1S A1D A1Y)	41A5312	1
Norwegian (models A1G)	41A5313	1
Polish (models A1G)	41A5314	1
Portuguese (models A1G)	41A5315	1
Romanian (models A1G)	41A5316	1
Romanian (models A1G)	41A5317	1
Russian/Cyrillic (models A1G)	41A5318	1
Serbian/Cyrillic (models A1G)	41A5319	1

7307 Keyboard (Lenovo Preferred Pro USB -- without hub)	FRU#	CRU Tier
Slovak (models A1G)	41A5320	1
Spanish (models A1G)	41A5321	1
Swedish/Finnish (models A1G)	41A5322	1
Swiss (models A1G)	41A5323	1
Thailand (models A1T)	41A5324	1
Turkish (models A1G)	41A5325	1
Turkish (models A1G)	41A5326	1
UK English (models A1G)	41A5327	1
US Euro (models A1G)	41A5328	1
Slovenian (models A1G)	41A5329	1
Arabic(New) (models A1G)	45J4880	1
Lithuanian (models A1G)	45J4896	1

7307 Keyboard (Lenovo Fingerprint Reader USB)	FRU#	CRU Tier
US English (models)	41R0038	1
Arabic (models)	41R0039	1
Arabic/French (models)	41R0040	1
Belgian/French (models)	41R0041	1
Belgian/English (models)	41R0042	1
Brazilian Portuguese (models)	41R0043	1
Bulgarian (models)	41R0044	1
Chinese/US (models)	41R0045	1
Czech (models)	41R0046	1
Danish (models)	41R0047	1
Dutch (models)	41R0048	1
French (models)	41R0049	1
French Canadian (models)	41R0050	1
French Canadian (models)	41R0051	1
German (models)	41R0052	1
Greek (models)	41R0053	1
Greek/US (models)	41R0054	1
Hebrew (models)	41R0055	1
Hungarian (models)	41R0056	1
Iceland (models)	41R0057	1
Italian (models)	41R0058	1
Japanese (models)	41R0059	1
Korean (models)	41R0060	1
LA Spanish (models)	41R0061	1
Norwegian (models)	41R0062	1
Polish (models)	41R0063	1
Portuguese (models)	41R0064	1

7307 Keyboard (Lenovo Fingerprint Reader USB)	FRU#	CRU Tier
Romanian (models)	41R0065	1
Romanian (models)	41R0066	1
Russian/Cyrillic (models)	41R0067	1
Serbian/Cyrillic (models)	41R0068	1
Slovak (models)	41R0069	1
Spanish (models)	41R0070	1
Swedish/Finnish (models)	41R0071	1
Swiss (models)	41R0072	1
Thailand (models)	41R0073	1
Turkish (models)	41R0074	1
Turkish (models)	41R0075	1
UK English (models)	41R0076	1
US Euro (models)	41R0077	1
Slovenian (models)	41R0078	1

7307 Keyboard (Lenovo Preferred Pro PS/2 Full Size)	FRU#	CRU Tier
US English (models)	41A5039	1
Arabic (models)	41A5040	1
Arabic/French (models)	41A5041	1
Belgian/French (models)	41A5042	1
Belgian/English (models)	41A5043	1
Brazilian Portuguese (models)	41A5044	1
Bulgarian (models)	41A5045	1
Chinese/US (models)	41A5046	1
Czech (models)	41A5047	1
Danish (models)	41A5048	1
Dutch (models)	41A5049	1
French (models)	41A5050	1
French Canadian (models)	41A5051	1
French Canadian (models)	41A5052	1
German (models)	41A5053	1
Greek (models)	41A5054	1
Greek/US (models)	41A5080	1
Hebrew (models)	41A5055	1
Hungarian (models)	41A5056	1
Iceland (models)	41A5057	1
Italian (models)	41A5058	1
Japanese (models)	41A5059	1
Korean (models)	41A5060	1
LA Spanish (models)	41A5061	1
Norwegian (models)	41A5062	1

7307 Keyboard (Lenovo Preferred Pro PS/2 Full Size)	FRU#	CRU Tier
Polish (models)	41A5063	1
Portuguese (models)	41A5064	1
Romanian (models)	41A5065	1
Russian/Cyrillic (models)	41A5066	1
Serbian/Cyrillic (models)	41A5067	1
Slovak (models)	41R0068	1
Spanish (models)	41R0069	1
Swedish/Finnish (models)	41A5070	1
Swiss (models)	41A5071	1
Thailand (models)	41A5072	1
Turkish (models)	41A5073	1
Turkish (models)	41A5074	1
UK English (models)	41A5075	1
US Euro (models)	41A5076	1
Slovenian (models)	41A5077	1

7307 mice	FRU#	CRU
Optical Wheel Mouse (400DPI, USB) (models A1U A1F A1S A1P A1L A1D A1Y A1G A1M A1A A1Q A1T A1C A1B A1H A1V A1K A1R A1E A1J)	41U3013	1
Optical Wheel Mouse (400DPI, USB) (models A1U A1F A1S A1P A1L A1D A1Y A1G A1M A1A A1Q A1T A1C A1B A1H A1V A1K A1R A1E A1J)	41U3030	1
PS/2 2 Button Ball Mouse (models)	41R0018	1

7307 Adapters and miscellaneous FRUs	FRU#	CRU
Internal 20 in 1 USB Memory Card Reader(Tower) (models)	45R8139	1
IEEE 1394 Firewire Adapter SFF (ROCKYS) (models)	41D2781	1
Dash Marvell Ethernet card ATX Tower (models)	53Y4008	1
Soft Modem V.90/V.44 SFF (ROCKYS) (models)	29R9729	1
Speaker Power brick - US, Canada, LA low voltage, ASEAN (models A1U)	89P8571	1
Speaker Power brick - LA high voltage (non-APU) (models)	89P8575	1
Speaker Power brick - SIMPLIFIED -CHN, Thailand EMEA (models A1G A1C)	89P8581	1
Speaker Power brick - JAPANESE (models A1J)	89P8577	1
Speaker Power brick - Brazil (models)	89P8583	1
Speaker Power brick - Argentina (models)	41A4901	1
Speaker Power brick - ANZ (models A1M)	89P8579	1
Speaker Power brick - KOREA (models)	41A4903	1
Speaker Power brick - HONG KONG, EMEA,IRELAND (models A1G)	89P8573	1
Speaker Power brick -TAIWAN-TC (models A1V)	41A4905	1
Speaker Power brick - INDIA, South Africa (models A1Q)	89P8585	1
2-pc external speaker--primary (models)	41A5331	1
2-pc external speaker-secondary (models)	41A5334	1

7307 Adapters and miscellaneous FRUs	FRU#	CRU
DVI-I(M)-VGA(F) cord (models)	41R3342	1
ATI HD3470 GDDR3 256MB - VGA+DP (models)	46R1521	1
ADD2 DVI-D Adapter, (HDCP) DVD-D connection Adapter Low Profile (Silicon Image) (models)	43C0258	1
ADD2 DVI-D Adapter, (HDCP) DVD-D connection Adapter Low Profile(Silicon Image) (models)	43C0258	1
DisplayPort to DVI-D Dongle (models)	43N9160	1
DisplayPort to VGA Dongle (models)	45J9524	1
Modem phone cable (models)	39K5120	1
LI300mm Rear USB 2Ports II HP®(Tower) (models)	42Y8005	2
LI350mm Rear Com2 cable II mini® (Tower) (models)	41R8548	2
Nvidia G100 DDR2 256MB ATX - DVI-I+VGA (models)	53Y9249	1

7307 Line Cords	FRU#	CRU
Line cord - US (models A1U A1F A1S A1L A1Y A1A A1T)	41R3184	1
Line cord - US (models A1U A1F A1S A1L A1Y A1A A1T)	41R3185	1
Line cord - China (models A1C)	41R3256	1
Line cord - China (models A1C)	41R3257	1
Line cord - Japanese and Japanese English (models A1E A1J)	41R3248	1
Line cord - Japanese and Japanese English (models A1E A1J)	41R3249	1
Line cord - Brazil (models)	41R3270	1
Line cord - Brazil (models)	41R3271	1
Line cord - LA High Volt APU (models)	41R3176	1
Line Cord - LA High Volt APU (models)	41R3177	1
Line cord - ANZ (models)	41R3196	1
Line cord - ANZ (models)	41R3197	1
Line Cord - Korea (models)	41R3260	1
Line Cord - Korea (models)	41R3261	1
Line Cord - UK, Ireland, Singapore, Malaysia, Brunei (models A1B A1H)	41R3224	1
Line Cord - UK, Ireland, Singapore, Malaysia, Brunei (models A1B A1H)	41R3225	1
Line Cord - Taiwan (models A1V)	41R3278	1
Line Cord - Taiwan (models A1V)	41R3279	1
Line Cord - Italy (models)	41R3232	1
Line Cord - Italy (models)	41R3233	1
Line Cord - Indonesia, Laos, Cambodia, and Vietnam (models A1U A1F A1S A1L A1Y A1A A1T)	41R3208	1
Line Cord - Indonesia, Laos, Cambodia, and Vietnam (models A1U A1F A1S A1L A1Y A1A A1T)	41R3209	1
Line Cord - Denmark (models A1G)	41R3212	1
Line Cord - Denmark (models A1G)	41R3213	1
Line Cord - Switzerland (models A1G)	41R3228	1
Line Cord - Switzerland (models A1G)	41R3229	1

7307 Line Cords	FRU#	CRU
Line Cord - Israel (models A1G)	41R3236	1
Line Cord - Israel (models A1G)	41R3237	1
Line Cord - South Africa (models A1G A1M A1A)	41R3220	1
Line Cord - South Africa (models A1G A1M A1A)	41R3221	1
Line Cord - India (models A1Q)	41R3341	1
Line Cord - India (models A1Q)	41R3175	1
Line Cord - Thailand (models A1T)	43N9029	1
Line Cord - Thailand (models A1T)	43N9030	1
Line Cord - Y cable for Brazil (models)	43N9044	1

7307 Windows XP Pro Recovery CDs	FRU#	CRU
Dutch (models)	63Y8807	1
Hebrew (models)	63Y8810	1
Portuguese (models)	63Y8818	1
Russian English (models)	63Y8814	1
Hungarian (models)	63Y8816	1
Czech (models)	63Y8808	1
Turkish (models)	63Y8815	1
Greek (models)	63Y8817	1
Slovenian (models)	63Y8819	1
Korea (models)	63Y8823	1
US English (models)	64Y5615	1
French (models)	64Y5616	1
German (models)	64Y5617	1
Italian (models)	64Y5647	1
Brazilian Portuguese (models)	64Y5646	1
Spanish (models)	64Y5645	1
Danish (models)	64Y5736	1
Arabic (models)	64Y5739	1
Swedish (models)	64Y5735	1
Finnish (models)	64Y5737	1
Norwegian (models)	64Y5734	1
Polish (models)	64Y5738	1
Russian (models)	64Y5740	1
Japanese (models)	64Y6078	1
Simplified Chinese (models)	64Y5741	1
Traditional Chinese (models)	64Y5742	1
Hong Kong (models)	64Y5743	1

7307 Vista Home Basic 32 Recovery DVDs	FRU#	CRU
English (models)	64Y2512	1

7307 Vista Home Basic 32 Recovery DVDs	FRU#	CRU
French (models)	64Y2514	1
German (models)	64Y2515	1
Spanish (models)	64Y2516	1
Brazilian Portuguese (models)	64Y2517	1
Italian (models)	64Y2518	1
Japanese (models)	64Y2525	1
Dutch (models)	64Y2532	1
Czech (models)	64Y2519	1
Polish (models)	64Y2520	1
Russian (models)	64Y2521	1
Turkish (models)	64Y2522	1
Hungarian (models)	64Y2523	1
Greek (models)	64Y2524	1
Portuguese (models)	64Y2535	1
Simplified Chinese (models)	64Y2526	1
Hong Kong (models)	64Y2528	1
Traditional Chinese (models)	64Y2527	1
Korean (models)	64Y2529	1
Slovenian (models)	64Y2530	1
Russian English (models)	64Y2513	1
Hebrew (models)	64Y2533	1
Arabic enabled (models)	64Y2531	1
Slovakian (models)	64Y2537	1
Romanian (models)	64Y2534	1
Serbian-Latin (models)	64Y2536	1
Miami MUL DVD P/Ns Vista Home Basic 32 C&L 1 Nordics (English DK Fi No SV) (models)	64Y2538	1
Miami MUL DVD P/Ns Vista Home Basic 32 C&L 2 Switzerland (English FR GR IT) (models)	64Y2539	1
Miami MUL DVD P/Ns Vista Home Basic 32 C&L 3 Bel Lux (English FR GR NL) (models)	64Y2540	1

7307 Vista Business 32 Recovery DVDs	FRU#	CRU
English (models A1U A1L A1G A1M A1A A1Q A1H A1R A1E)	64Y2425	1
French (models A1F A1G)	64Y2427	1
German (models A1G)	64Y2428	1
Spanish (models A1G)	64Y2429	1
Brazilian (models)	64Y2430	1
Italian (models A1G)	64Y2432	1
Japanese (models A1J)	64Y2438	1
Dutch (models A1G)	64Y2445	1
Czech (models A1G)	64Y2432	1

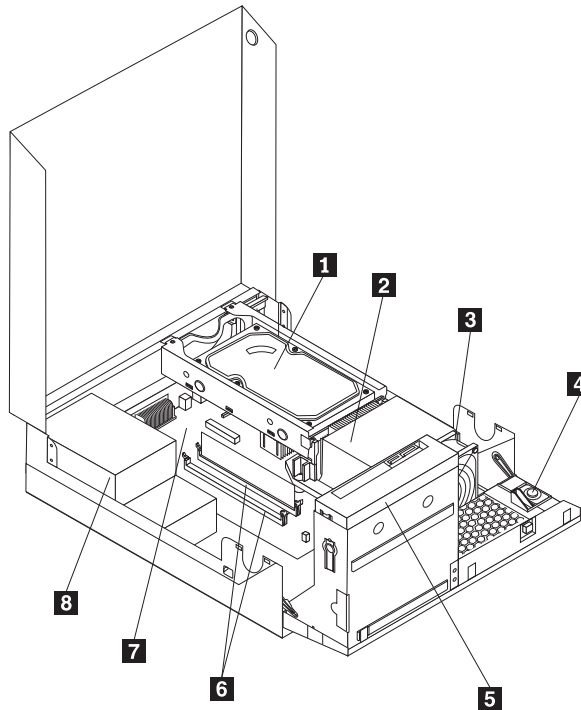
7307 Vista Business 32 Recovery DVDs	FRU#	CRU
Polish (models A1G)	64Y2433	1
Russian (models A1G)	64Y2434	1
Turkish (models A1G)	64Y2435	1
Hungarian (models A1G)	64Y2436	1
Greek (models A1G)	64Y2437	1
Portuguese (models)	64Y2448	1
Simplified Chinese (models A1C)	64Y2439	1
Traditional Chinese (models A1V)	64Y2440	1
Hong Kong (models A1B)	64Y2441	1
Korean (models A1K)	64Y2442	1
Slovenian (models A1G)	64Y2443	1
Russian English (models A1G)	64Y2426	1
Romanian (models A1G)	64Y2447	1
Sebian-Latin (models A1G)	64Y2449	1
Slovakian (models A1G)	64Y2450	1
Arabic enabled (models A1G)	64Y2444	1
Hebrew (models A1G)	64Y2446	1
Miami MUL DVD P/Ns VB32 C&L1 Nordics (English DK FI NO SV) (models A1G)	64Y2451	1
Miami MUL DVD P/Ns VB32 C&L 2 Switzerland (English FR GR IT) (models A1G)	64Y2452	1
Miami MUL DVD P/Ns VB32 C&L3 Bel Lux (English FR GR NL) (models A1G)	64Y2453	1

7307 Vista VHP 32 Recovery DVDs	FRU#	CRU
English (models)	64Y2541	1
French (models)	64Y2542	1
German (models)	64Y2543	1
Spanish (models)	64Y2544	1
Italian (models)	64Y2546	1
Japanese (models)	64Y2547	1
Hong Kong (models)	64Y2548	1
Korean (models)	64Y2545	1
Miami MUL DVD P/Ns VHP32 C&L1 Nordics (English DK FI NO SV) (models)	64Y2549	1
Miami MUL DVD P/Ns VHP32 C&L 2 Switzerland (English FR GR IT) (models)	64Y2550	1
Miami MUL DVD P/Ns VHP32 C&L3 Bel Lux (English FR GR NL) (models)	64Y2551	1

7307 Vista Business 64 Recovery CDs	FRU#	CRU
English (models)	64Y2561	1
French (models)	64Y2562	1
German (models)	64Y2563	1
Japanese (models)	64Y2564	1
Simplified Chinese (models)	64Y2565	1

7307 Vista Ultimate 32 Recovery CDs	FRU#	CRU
English (models)	64Y2552	1
Japanese (models)	64Y2557	1
French (models)	64Y2553	1
German (models)	64Y2554	1
Spanish (models)	64Y2555	1
Italian (models)	64Y2556	1
HongKong (models)	64Y2558	1
Arabic Localized (models)	64Y2559	1
MUL DVD P/Ns VU32 C&L1 Nordics (EN DK FI NO SV) (models)	64Y2560	1

Machine Type 7408



Item #	7408 FRUs	FRU#	CRU
1	Hard disk drive, SATA 80GB 7200RPM/3Gb/8MB (models A1U A1F A1S A1P A1L A1D A1Y A1G A1M A1A A1Q A1T A1C A1B A1H A1V A1K A1R A1E A1J)	40Y9035	1
1	Hard disk drive, SATA 250GB 7200RPM/3Gb/8MB (models)	40Y9036	1
1	Hard disk drive, SATA 320GB 7200rpm SATA/8MB (models)	87H4891	1
1	Hard disk drive, SATA 500GB 7200RPM/3Gb/s/8MB (models)	41X5582	1
1	Hard disk drive, 1TB 7200rpm SATA (models)	45C5973	1
1	Hard disk drive, 150G 10K rpm,SATA (models)	46R8893	1
2	Microprocessor, E6550 2.33GHZ/1333MHZ/4M G-0 65W (models)	43C3833	N
2	Microprocessor, E8600 3.33GHZ/1333MHZ/6M E0 65W (models)	46R8640	N
2	Microprocessor, E8500 3.16GHz 1333MHz FSB 6M C-0 65W (models)	45C7735	N
2	Microprocessor, E8400 3.0GHz 1333MHz FSB 6M C-0 65W (models A1U A1F A1S A1P A1L A1D A1Y A1G A1M A1A A1Q A1T A1C A1B A1H A1V A1K A1R A1E A1J)	45C7736	N
2	Microprocessor, E8300 2.83GHz 1333MHz FSB 6M C-0 65W (models)	45C7737	N
2	Microprocessor, E8200 2.66GHz 1333MHz FSB 6M C-0 65W (models)	45C7738	N
2	Microprocessor, E8190 2.66GHz 1333MHz FSB 6M C-0 - NON VT/Vpro 65W (models)	45R2568	N
2	Microprocessor, E7200 2.53GHz 1066MHz FSB 3M M-0 65W (models)	45R8337	N
2	Microprocessor, E7300 2.66GHz 1066MHz FSB 3M M-0 65W (models)	46R1622	N
2	Microprocessor, E7400 2.8GHZ 1066M 3M R0 (ViiV,EIST,EM64T,EDB) 65W (models)	53Y6653	N
2	Microprocessor, E7500 2.93GHZ 1066M 3M R0 (ViiV,EIST,EM64T,EDB) 65W (models)	53Y6654	N

Item #	7408 FRUs	FRU#	CRU
2	Microprocessor, E2160 Conroe-L 1.8GHz 800MHz FSB 1M (models)	43C1968	N
2	Microprocessor, E2180 Conroe-L 2.0GHz 800MHz FSB 1M (models)	45C1773	N
2	Microprocessor, E2200 Conroe-L 2.2GHz 800MHz FSB 1M (models)	45C5349	N
2	Microprocessor, E2220 Conroe-L 2.4GHz 800MHz FSB 1M (models)	45C1774	N
2	Microprocessor, E5200 800MHz 2M M-0 65W, 45nm (models)	46R9512	N
2	Microprocessor, E5300 2.6GHz 800MHz 2MB R0 (EIST,EM64T,EDB) 65W (models)	53Y9049	N
2	Microprocessor, E1600 2.4GHZ/800MHZ/512K - NPI M-0 65W (models)	46R1655	N
2	Microprocessor, E1400 2.0GHz 800MHz FSB 512K - NPI M-0 65W (models)	45R8339	N
2	Microprocessor, E1200 1.6GHZ/800MHZ/512K M-0 65W (models)	45R8341	N
2	Microprocessor, E1500 2.2GHz 800MHz 512KB (EIST,EM64T,EDB) M0 65W (models)	53Y9051	N
2	Microprocessor, Cel-420 Conroe-L 1.6GHz 800MHz FSB 512K (models)	43C3835	N
2	Microprocessor, Cel-430 Conroe-L 1.8GHz 800MHz FSB 512K (models)	43C1964	N
2	Microprocessor, Cel-440 Conroe-L 2.0GHz 800MHz FSB 512K (models)	43C1965	N
2	Microprocessor, Cel-450 2.2GHz 800MHz FSB 512K 35W (models)	46R9514	N
2	Microprocessor, Q9650 3.0GHZ 1333FSB 12MB VT, TXT E-0 95W (models)	46R8642	N
2	Microprocessor, Q9400 2.66GHZ 1333FSB 6MB VT, TXT R-0 95W (models)	46R8644	N
2	Microprocessor, Q8200 2.33GHz 1333FSB 4M M-1 95W (models)	46R9516	N
2	Microprocessor, Q8300 Yorkfield 2.5GHZ,1333MHz,4M R-0 (ViiV,EIST,EM64T,EDB) (models)	53Y6656	N
2	Microprocessor, Q6600 2.4GHZ 1066FSB 8M G-0 Stepping Level, 95W (models)	43C1695	N
2	Microprocessor, Q6700 2.66GHZ 1066FSB 8M G-0 Stepping Level, 95W (models)	43C6309	N
2	Microprocessor, Q9550 2.83GHZ 1333FSB 12M C-1 95W (models)	45C7739	N
2	Microprocessor, Q9450 Yorkfield 2.66GHZ 1333FSB 12M C-1 95W (models)	45C7740	N
2	Microprocessor, Q9300 Yorkfield 2.50GHZ 1333FSB 6M M-1 95W (models)	45C7741	N
3	Heat Sink, 95W heatsink Kit for 607BT, with RM (all models)	41R6454	2
3	Heat Sink, 65W heatsink Kit for 607BT, with RM (all models)	43N9349	2
4	Speaker, internal speaker 254mm -optional (models)	39K5012	2
5	DVD-ROM Drive - 16x/48x - SATA Vista & non-Vista (models)	41N3325	1
5	DVD Recordable/CD-RW Rambo 8 - SATA Vista & non-Vista (models A1U A1F A1S A1P A1L A1D A1Y A1G A1M A1A A1Q A1T A1C A1B A1H A1V A1K A1R A1E A1J)	43C1042	1
6	Memory module, 512MB PC2-5300 (667MHz) DDR2 SDRAM (models)	41X4255	1
6	Memory module, 1GB PC2-5300 (667MHz) DDR2 SDRAM (models)	41X4256	1
6	Memory module, 2GB PC2-5300 (667MHz) DDR2 SDRAM (models)	41X4257	1
6	Memory module, 512MB PC2-6400 (800MHz) DDR2 SDRAM (models)	41X1079	1
6	Memory module, 1GB PC2-6400 (667MHz) DDR2 SDRAM (models)	41X1080	1
6	Memory module, 2GB PC2-6400 (667MHz) DDR2 SDRAM (models A1U A1F A1S A1P A1L A1D A1Y A1G A1M A1A A1Q A1T A1C A1B A1H A1V A1K A1R A1E A1J)	41X1081	1
7	System board, Intel G41 BTX(GA) SFF non-AMT (models A1U A1F A1S A1P A1L A1D A1Y A1G A1M A1A A1Q A1T A1C A1B A1H A1V A1K A1R A1E A1J)	46R8892	N

Item #	7408 FRUs	FRU#	CRU
7	System board, Intel G41 BTX(GA) -NB upgrade (models A1U A1F A1S A1P A1L A1D A1Y A1G A1M A1A A1Q A1T A1C A1B A1H A1V A1K A1R A1E A1J)	64Y9198	N
8	Power supply, 280W Active PFC power supply(Auto sensing) for 10L---Robust,WW,JP (models A1U A1F A1S A1P A1L A1D A1Y A1G A1M A1A A1Q A1T A1C A1B A1H A1V A1K A1R A1E A1J)	41A9701	N
8	Power supply, 280W 85+ power supply for 10L---Robust,WW,JP (models A1U A1F A1S A1P A1L A1D A1Y A1G A1M A1A A1Q A1T A1C A1B A1H A1V A1K A1R A1E A1J)	41A9742	N
8	Power supply, 280W Active PFC power supply(Auto sensing) for 10L---Robust,WW,JP (models A1U A1F A1S A1P A1L A1D A1Y A1G A1M A1A A1Q A1T A1C A1B A1H A1V A1K A1R A1E A1J)	45J9418	N
8	Power supply, 280W 85+ power supply for 10L---Robust,WW,JP (models A1U A1F A1S A1P A1L A1D A1Y A1G A1M A1A A1Q A1T A1C A1B A1H A1V A1K A1R A1E A1J)	45J9423	N

The FRUs listed in the following tables are not illustrated.

7408 FRUs	FRU#	CRU
Cabel, SATA 700mm (RoHS) for ODD / 2st HDD (all models)	43N9011	2
C2 Intrusion Switch 260mm (all models)	43N9080	2
Rear IO shield BTX (all models)	41R6381	2
Temp Sense Cable (165 mm) (all models)	43N9079	N
Universal Adapter Bracket 5.25 to 3.5 W/Bezel, 607BT (all models)	43N9584	2
Vertical Stand, recycle resin (all models)	43N9585	2
Air Deflector, recycle resin, milan (all models)	43N9610	1
Cable,Luxshare,LED/switch cable R(nonPCB 220mm 10L) for Milan (all models)	43N9075	2
607BT Optical Bezel Asm (all models)	43N9589	2
607BT,NO ODD, Blank Bezel, Plastic (all models)	43N9590	1
Cardreader Bezel, Milan/607BT (all models)	43N9591	1
Non-Cardreader Bezel, Milan/607BT (all models)	43N9592	1
HDD TRAY ASM (all models)	43N9595	1
FRONTCAGE ASM (all models)	43N9596	1
Chassis for Miami (all models)	43N9650	N
Cable,Front I_O cable_R(10L_U380_A550)_ESD (all models)	45J9509	N
Models with 3.5'' Convert 2.5'' for 150GB 10K rpm HDD (1st HDD bay) (all models)	43N9645	2
Cable-SATA 250mm (RoHS) for 1st HDD (all models)	43N9012	2
BATTERY 3V-LITHIUM (models A1U A1F A1S A1P A1L A1D A1Y A1G A1M A1A A1Q A1T A1C A1B A1H A1V A1K A1R A1E A1J)	45C1566	1

7408 Keyboard (Lenovo Preferred Pro USB -- without hub)	FRU#	CRU Tier
US English (models A1U A1L A1G A1M A1A A1Q A1H A1R A1E)	41A5289	1
Arabic (models A1G)	41A5290	1
Arabic/French (models A1G)	41A5291	1
Belgian/French (models)	41A5292	1

7408 Keyboard (Lenovo Preferred Pro USB -- without hub)	FRU#	CRU Tier
Belgian/English (models A1G)	41A5293	1
Brazilian Portuguese (models A1P)	41A5294	1
Bulgarian (models A1G)	41A5295	1
Chinese/US (models A1B A1V)	41A5296	1
Czech (models A1G)	41A5297	1
Danish (models A1G)	41A5298	1
Dutch (models A1G)	41A5299	1
French (models A1G)	41A5300	1
French Canadian (models A1F A1G)	41A5301	1
French Canadian (models A1F A1G)	41A5302	1
German (models A1G)	41A5303	1
Greek (models A1G)	41A5304	1
Greek/US (models A1G)	41A5305	1
Hebrew (models A1G)	41A5306	1
Hungarian (models A1G)	41A5307	1
Iceland (models A1G)	41A5308	1
Italian (models A1G)	41A5309	1
Japanese (models A1J)	41A5310	1
Korean (models A1K)	41A5311	1
LA Spanish (models A1S A1D A1Y)	41A5312	1
Norwegian (models A1G)	41A5313	1
Polish (models A1G)	41A5314	1
Portuguese (models A1G)	41A5315	1
Romanian (models A1G)	41A5316	1
Romanian (models A1G)	41A5317	1
Russian/Cyrillic (models A1G)	41A5318	1
Serbian/Cyrillic (models A1G)	41A5319	1
Slovak (models A1G)	41A5320	1
Spanish (models A1G)	41A5321	1
Swedish/Finnish (models A1G)	41A5322	1
Swiss (models A1G)	41A5323	1
Thailand (models A1T)	41A5324	1
Turkish (models A1G)	41A5325	1
Turkish (models A1G)	41A5326	1
UK English (models A1G)	41A5327	1
US Euro (models A1G)	41A5328	1
Slovenian (models)	41A5329	1
Arabic(New) (models A1G)	45J4880	1
Lithuanian (models)	45J4896	1

7408 Keyboard (Lenovo Fingerprint Reader USB)	FRU#	CRU Tier
US English (models)	41R0038	1
Arabic (models)	41R0039	1
Arabic/French (models)	41R0040	1
Belgian/French (models)	41R0041	1
Belgian/English (models)	41R0042	1
Brazilian Portuguese (models)	41R0043	1
Bulgarian (models)	41R0044	1
Chinese/US (models)	41R0045	1
Czech (models)	41R0046	1
Danish (models)	41R0047	1
Dutch (models)	41R0048	1
French (models)	41R0049	1
French Canadian (models)	41R0050	1
French Canadian (models)	41R0051	1
German (models)	41R0052	1
Greek (models)	41R0053	1
Greek/US (models)	41R0054	1
Hebrew (models)	41R0055	1
Hungarian (models)	41R0056	1
Iceland (models)	41R0057	1
Italian (models)	41R0058	1
Japanese (models)	41R0059	1
Korean (models)	41R0060	1
LA Spanish (models)	41R0061	1
Norwegian (models)	41R0062	1
Polish (models)	41R0063	1
Portuguese (models)	41R0064	1
Romanian (models)	41R0065	1
Romanian (models)	41R0066	1
Russian/Cyrillic (models)	41R0067	1
Serbian/Cyrillic (models)	41R0068	1
Slovak (models)	41R0069	1
Spanish (models)	41R0070	1
Swedish/Finnish (models)	41R0071	1
Swiss (models)	41R0072	1
Thailand (models)	41R0073	1
Turkish (models)	41R0074	1
Turkish (models)	41R0075	1
UK English (models)	41R0076	1
US Euro (models)	41R0077	1
Slovenian (models)	41R0078	1

7408 Keyboard (Lenovo Preferred Pro PS/2 Full Size)	FRU#	CRU Tier
US English (models)	41A5039	1
Arabic (models)	41A5040	1
Arabic/French (models)	41A5041	1
Belgian/French (models)	41A5042	1
Belgian/English (models)	41A5043	1
Brazilian Portuguese (models)	41A5044	1
Bulgarian (models)	41A5045	1
Chinese/US (models)	41A5046	1
Czech (models)	41A5047	1
Danish (models)	41A5048	1
Dutch (models)	41A5049	1
French (models)	41A5050	1
French Canadian (models)	41A5051	1
French Canadian (models)	41A5052	1
German (models)	41A5053	1
Greek (models)	41A5054	1
Greek/US (models)	41A5080	1
Hebrew (models)	41A5055	1
Hungarian (models)	41A5056	1
Iceland (models)	41A5057	1
Italian (models)	41A5058	1
Japanese (models)	41A5059	1
Korean (models)	41A5060	1
LA Spanish (models)	41A5061	1
Norwegian (models)	41A5062	1
Polish (models)	41A5063	1
Portuguese (models)	41A5064	1
Romanian (models)	41A5065	1
Russian/Cyrillic (models)	41A5066	1
Serbian/Cyrillic (models)	41A5067	1
Slovak (models)	41R0068	1
Spanish (models)	41R0069	1
Swedish/Finnish (models)	41A5070	1
Swiss (models)	41A5071	1
Thailand (models)	41A5072	1
Turkish (models)	41A5073	1
Turkish (models)	41A5074	1
UK English (models)	41A5075	1
US Euro (models)	41A5076	1
Slovenian (models)	41A5077	1

7408 mice	FRU#	CRU
Optical Wheel Mouse (400DPI, USB) (models A1U A1F A1S A1P A1L A1D A1Y A1G A1M A1A A1Q A1T A1C A1B A1H A1V A1K A1R A1E A1J)	41U3013	1
Optical Wheel Mouse (400DPI, USB) (models A1U A1F A1S A1P A1L A1D A1Y A1G A1M A1A A1Q A1T A1C A1B A1H A1V A1K A1R A1E A1J)	41U3030	1
PS/2 2 Button Ball Mouse (models)	41R0018	1

7408 Adapters and miscellaneous FRUs	FRU#	CRU
Internal USB 20 in 1 Memory Card Reader Slim SFF (models)	46R1529	1
IEEE 1394 Firewire Adapter SFF (ROCKYS) (models)	41D2781	1
Soft Modem V.90/V.44 SFF (ROCKYS) (models)	29R9729	1
Speaker Power brick - US, Canada, LA low voltage, ASEAN (models A1U)	89P8571	1
Speaker Power brick - LA high voltage (non-APU) (models)	89P8575	1
Speaker Power brick - SIMPLIFIED -CHN, Thailand EMEA (models A1G A1C)	89P8581	1
Speaker Power brick - JAPANESE (models A1J)	89P8577	1
Speaker Power brick - Brazil (models)	89P8583	1
Speaker Power brick - Argentina (models)	41A4901	1
Speaker Power brick - ANZ (models A1M)	89P8579	1
Speaker Power brick - KOREA (models)	41A4903	1
Speaker Power brick - HONG KONG, EMEA,IRELAND (models A1G)	89P8573	1
Speaker Power brick -TAIWAN-TC (models A1V)	41A4905	1
Speaker Power brick - INDIA, South Africa (models A1Q)	89P8585	1
2-pc external speaker--primary (models)	41A5331	1
2-pc external speaker-secondary (models)	41A5334	1
DVI-I(M)-VGA(F) cord (models)	41R3342	1
ATI HD3470 GDDR3 256MB - VGA+DP (models)	46R1521	1
ADD2 DVI-D Adapter, (HDCP) DVD-D connection Adapter Low Profile(Silicon Image) (models)	43C0258	1
DisplayPort to DVI-D Dongle (models)	43N9160	1
DisplayPort to VGA Dongle (models)	45J9524	1
Modem phone cable (models)	39K5120	1
LI140mm Rear Com2 cable II mini® SFF (models)	43N9062	2
Rear USB 2Ports II LP® 350mm (modles)	43N9124	2
Nvidia G100 DDR2 256MB LP - DVI-I (With DVI-I to VGA Dongle) (models)	53Y9341	1

7408 Line Cords	FRU#	CRU
Line cord - US (models A1U A1F A1S A1L A1Y A1A A1T)	41R3184	1
Line cord - US (models A1U A1F A1S A1L A1Y A1A A1T)	41R3185	1
Line cord - China (models A1C)	41R3256	1
Line cord - China (models A1C)	41R3257	1
Line cord - Japanese and Japanese English (models A1E A1J)	41R3248	1

7408 Line Cords	FRU#	CRU
Line cord - Japanese and Japanese English (models A1E A1J)	41R3249	1
Line cord - Brazil (models)	41R3270	1
Line cord - Brazil (models)	41R3271	1
Line cord - LA High Volt APU (models)	41R3176	1
Line Cord - LA High Volt APU (models)	41R3177	1
Line cord - ANZ (models)	41R3196	1
Line cord - ANZ (models)	41R3197	1
Line Cord - Korea (models)	41R3260	1
Line Cord - Korea (models)	41R3261	1
Line Cord - UK, Ireland, Singapore, Malaysia, Brunei (models A1B A1H)	41R3224	1
Line Cord - UK, Ireland, Singapore, Malaysia, Brunei (models A1B A1H)	41R3225	1
Line Cord - Taiwan (models A1V)	41R3278	1
Line Cord - Taiwan (models A1V)	41R3279	1
Line Cord - Italy (models)	41R3232	1
Line Cord - Italy (models)	41R3233	1
Line Cord - Indonesia, Laos, Cambodia, and Vietnam (models A1U A1F A1S A1L A1Y A1A A1T)	41R3208	1
Line Cord - Indonesia, Laos, Cambodia, and Vietnam (models A1U A1F A1S A1L A1Y A1A A1T)	41R3209	1
Line Cord - Denmark (models A1G)	41R3212	1
Line Cord - Denmark (models A1G)	41R3213	1
Line Cord - Switzerland (models A1G)	41R3228	1
Line Cord - Switzerland (models A1G)	41R3229	1
Line Cord - Israel (models A1G)	41R3236	1
Line Cord - Israel (models A1G)	41R3237	1
Line Cord - South Africa (models A1G A1M A1A)	41R3220	1
Line Cord - South Africa (models A1G A1M A1A)	41R3221	1
Line Cord - India (models A1Q)	41R3341	1
Line Cord - India (models A1Q)	41R3175	1
Line Cord - Thailand (models)	43N9029	1
Line Cord - Thailand (models)	43N9030	1
Line Cord - Y cable for Brazil Line Cord - India (models)	43N9044	1

7408 Windows XP Pro Recovery CDs	FRU#	CRU
Dutch (models)	63Y8807	1
Hebrew (models)	63Y8810	1
Portuguese (models)	63Y8818	1
Russian English (models)	63Y8814	1
Hungarian (models)	63Y8816	1
Czech (models)	63Y8808	1
Turkish (models)	63Y8815	1

7408 Windows XP Pro Recovery CDs	FRU#	CRU
Greek (models)	63Y8817	1
Slovenian (models)	63Y8819	1
Korea (models)	63Y8823	1
US English (models)	64Y5615	1
French (models)	64Y5616	1
German (models)	64Y5617	1
Italian (models)	64Y5647	1
Brazilian Portuguese (models)	64Y5646	1
Spanish (models)	64Y5645	1
Danish (models)	64Y5736	1
Arabic (models)	64Y5739	1
Swedish (models)	64Y5735	1
Finnish (models)	64Y5737	1
Norwegian (models)	64Y5734	1
Polish (models)	64Y5738	1
Russian (models)	64Y5740	1
Japanese (models)	64Y6078	1
Simplified Chinese (models)	64Y5741	1
Traditional Chinese (models)	64Y5742	1
Hong Kong (models)	64Y5743	1

7408 Vista Home Basic 32 Recovery DVDs	FRU#	CRU
English (models)	64Y2512	1
French (models)	64Y2514	1
German (models)	64Y2515	1
Spanish (models)	64Y2516	1
Brazilian Portuguese (models)	64Y2517	1
Italian (models)	64Y2518	1
Japanese (models)	64Y2525	1
Dutch (models)	64Y2532	1
Czech (models)	64Y2519	1
Polish (models)	64Y2520	1
Russian (models)	64Y2521	1
Turkish (models)	64Y2522	1
Hungarian (models)	64Y2523	1
Greek (models)	64Y2524	1
Portuguese (models)	64Y2535	1
Simplified Chinese (models)	64Y2526	1
Hongkong (models)	64Y2528	1
Traditional Chinese (models)	64Y2527	1
Korean (models)	64Y2529	1

7408 Vista Home Basic 32 Recovery DVDs	FRU#	CRU
Slovenian (models)	64Y2530	1
Russian English (models)	64Y2513	1
Hebrew (models)	64Y2533	1
Arabic enabled (models)	64Y2531	1
Slovakian (models)	64Y2537	1
Romanian (models)	64Y2534	1
Serbian-Latin (models)	64Y2536	1
Miami MUL DVD P/Ns Vista Home Basic 32 C&L1 Nordics (English DK Fi No SV) (models)	64Y2538	1
Miami MUL DVD P/Ns Vista Home Basic 32 C&L 2 Switzerland (English FR GR IT) (models)	64Y2539	1
Miami MUL DVD P/Ns Vista Home Basic 32 C&L3 Bel Lux (English FR GR NL) (models)	64Y2540	1

7408 Vista Business 32 Recovery DVDs	FRU#	CRU
English (models A1U A1L A1G A1M A1A A1Q A1H A1R A1E)	64Y2425	1
French (models A1F A1G)	64Y2427	1
German (models A1G)	64Y2428	1
Spanish (models A1G)	64Y2429	1
Brazilian (models)	64Y2430	1
Italian (models A1G)	64Y2432	1
Japanese (models A1J)	64Y2438	1
Dutch (models)	64Y2445	1
Czech (models)	64Y2432	1
Polish (models A1G)	64Y2433	1
Russian (models A1G)	64Y2434	1
Turkish (models A1G)	64Y2435	1
Hungarian (models A1G)	64Y2436	1
Greek (models A1G)	64Y2437	1
Portuguese (models A1G)	64Y2448	1
Simplified Chinese (models A1C)	64Y2439	1
Trad Chinese (models A2V A1V)	64Y2440	1
HongKong (models)	64Y2441	1
Korean (models A1K)	64Y2442	1
Slovenian (models)	64Y2443	1
Russian English (models A1G)	64Y2426	1
Romanian (models A1G)	64Y2447	1
Serbian-Latin (models)	64Y2449	1
Slovakian (models A1G)	64Y2450	1
Arabic enabled (models)	64Y2444	1
Hebrew (models A1G)	64Y2446	1
Miami MUL DVD P/Ns VB32 C&L1 Nordics (English DK FI NO SV) (models A1G)	64Y2451	1

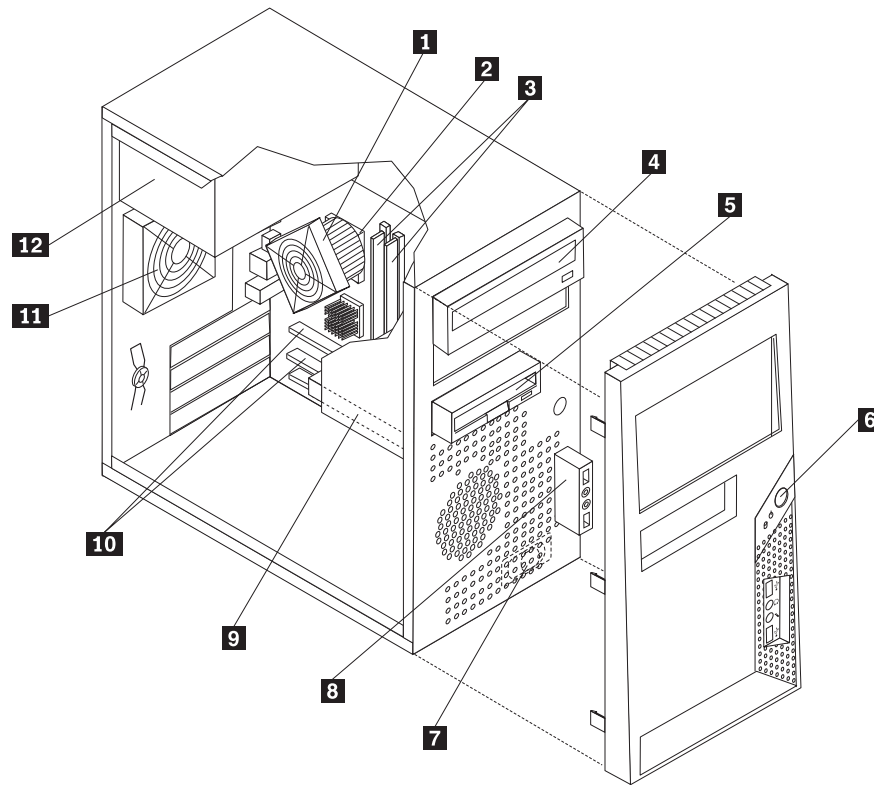
7408 Vista Business 32 Recovery DVDs	FRU#	CRU
Miami MUL DVD P/Ns VB32 C&L 2 Switzerland (English FR GR IT) (models A1G)	64Y2452	1
Miami MUL DVD P/Ns VB32 C&L3 Bel Lux (English FR GR NL) (models A1G)	64Y2453	1

7408 Vista VHP 32 Recovery DVDs	FRU#	CRU
English (models)	64Y2541	1
French (models)	64Y2542	1
German (models)	64Y2543	1
Spanish (models)	64Y2544	1
Italian (models)	64Y2546	1
Japanese (models)	64Y2547	1
Hong Kong (models)	64Y2548	1
Korean (models)	64Y2545	1
Miami MUL DVD P/Ns VHP32 C&L1 Nordics (English DK FI NO SV) (models)	64Y2549	1
Miami MUL DVD P/Ns VHP32 C&L 2 Switzerland (English FR GR IT) (models)	64Y2550	1
Miami MUL DVD P/Ns VHP32 C&L3 Bel Lux (English FR GR NL) (models)	64Y2551	1

7408 Vista Business 64 Recovery CDs	FRU#	CRU
English (models)	64Y2561	1
French (models)	64Y2562	1
German (models)	64Y2563	1
Japanese (models)	64Y2564	1
Simplified Chinese (models)	64Y2565	1

7408 Vista Ultimate 32 Recovery CDs	FRU#	CRU
English (models)	64Y2552	1
Japanese (models)	64Y2557	1
French (models)	64Y2553	1
German (models)	64Y2554	1
Spanish (models)	64Y2555	1
Italian (models)	64Y2556	1
HongKong (models)	64Y2558	1
Arabic Localized (models)	64Y2559	1
MUL DVD P/Ns VU32 C&L1 Nordics (EN DK FI NO SV) (models)	64Y2560	1

Machine Type 7491



Item #	7491 FRUs	FRU#	CRU
1	Heat Sink, Intel 95W/65W Heatsink (all models)	43N9409	2
1	Heat Sink, Intel 65W Heatsink (all models)	43N9708	2
2	Microprocessor, E6550 2.33GHZ/1333MHZ/4M G-0 65W (models)	43C3833	N
2	Microprocessor, E8600 3.33GHZ/1333MHZ/6M E0 65W (models)	46R8640	N
2	Microprocessor, E8500 3.16GHz 1333MHz FSB 6M C-0 65W (models A2M A2A A2Q A2T A2K A7G)	45C7735	N
2	Microprocessor, E8400 3.0GHz 1333MHz FSB 6M C-0 65W (models B3V B2G A3G B8U B8F C2S C2D C2Y)	45C7736	N
2	Microprocessor, E8300 2.83GHz 1333MHz FSB 6M C-0 65W (models)	45C7737	N
2	Microprocessor, E8200 2.66GHz 1333MHz FSB 6M C-0 65W (models)	45C7738	N
2	Microprocessor, E8190 2.66GHz 1333MHz FSB 6M C-0 - NON VT/Vpro 65W (models)	45R2568	N
2	Microprocessor, E7200 2.53GHz 1066MHz FSB 3M M-0 65W (models)	45R8337	N
2	Microprocessor, E7300 2.66GHz 1066MHz FSB 3M M-0 65W (models A1M A1A A1Q A1T A1K A6G)	46R1622	N
2	Microprocessor, E7400 2.8GHZ 1066M 3M R0 (ViiV,EIST,EM64T,EDB) 65W (models B4S B4D B4Y B4M B4A B4Q B4T B4K A9G B7U B7F)	53Y6653	N
2	Microprocessor, E7500 2.93GHZ 1066M 3M R0 (ViiV,EIST,EM64T,EDB) 65W (models C5U C5F)	53Y6654	N
2	Microprocessor, E2160 Conroe-L 1.8GHz 800MHz FSB 1M (models)	43C1968	N
2	Microprocessor, E2180 Conroe-L 2.0GHz 800MHz FSB 1M (models)	45C1773	N

Item #	7491 FRUs	FRU#	CRU
2	Microprocessor, E2200 Conroe-L 2.2GHz 800MHz FSB 1M (models)	45C5349	N
2	Microprocessor, E2220 Conroe-L 2.4GHz 800MHz FSB 1M (models)	45C1774	N
2	Microprocessor, E5200 800MHz 2M M-0 65W, 45nm (models)	46R9512	N
2	Microprocessor, E5300 2.6GHz 800MHz 2MB R0 (EIST,EM64T,EDB) 65W (models B6U B6F C1S C1D C1Y)	53Y9049	N
2	Microprocessor, E1600 2.4GHZ/800MHZ/512K - NPI M-0 65W (models)	46R1655	N
2	Microprocessor, E1400 2.0GHz 800MHz FSB 512K - NPI M-0 65W (models A8G)	45R8339	N
2	Microprocessor, E1200 1.6GHZ/800MHZ/512K M-0 65W (models)	45R8341	N
2	Microprocessor, E1500 2.2GHz 800MHz 512KB (EIST,EM64T,EDB) M0 65W (models)	53Y9051	N
2	Microprocessor, Cel-420 Conroe-L 1.6GHz 800MHz FSB 512K (models)	43C3835	N
2	Microprocessor, Cel-430 Conroe-L 1.8GHz 800MHz FSB 512K (models)	43C1964	N
2	Microprocessor, Cel-440 Conroe-L 2.0GHz 800MHz FSB 512K (models)	43C1965	N
2	Microprocessor, Cel-450 2.2GHz 800MHz FSB 512K 35W (models)	46R9514	N
2	Microprocessor, Q9650 3.0GHZ 1333FSB 12MB VT, TXT E-0 95W (models)	46R8642	N
2	Microprocessor, Q9400 2.66GHZ 1333FSB 6MB VT, TXT R-0 95W (models)	46R8644	N
2	Microprocessor, Q8200 2.33GHz 1333FSB 4M M-1 95W (models)	46R9516	N
2	Microprocessor, Q8300 Yorkfield 2.5GHZ,1333MHz,4M R-0 (ViiV,EIST,EM64T,EDB) (models)	53Y6656	N
2	Microprocessor, Q6600 2.4GHZ 1066FSB 8M G-0 Stepping Level, 95W (models)	43C1695	N
2	Microprocessor, Q6700 2.66GHZ 1066FSB 8M G-0 Stepping Level, 95W (models)	43C6309	N
2	Microprocessor, Q9550 2.83GHZ 1333FSB 12M C-1 95W (models)	45C7739	N
2	Microprocessor, Q9450 Yorkfield 2.66GHZ 1333FSB 12M C-1 95W (models)	45C7740	N
2	Microprocessor, Q9300 Yorkfield 2.50GHZ 1333FSB 6M M-1 95W (models)	45C7741	N
3	Memory module, 512MB PC2-5300 (667MHz) DDR2 SDRAM (models)	41X4255	1
3	Memory module, 1GB PC2-5300 (667MHz) DDR2 SDRAM (models)	41X4256	1
3	Memory module, 2GB PC2-5300 (667MHz) DDR2 SDRAM (models)	41X4257	1
3	Memory module, 512MB PC2-6400 (800MHz) DDR2 SDRAM (models)	41X1079	1
3	Memory module, 1GB PC2-6400 (667MHz) DDR2 SDRAM (models B3V B6U B6F C1S C1D C1Y C3S C3D C3Y)	41X1080	1
3	Memory module, 2GB PC2-6400 (667MHz) DDR2 SDRAM (models C5U C5F)	41X1081	1
4	Optical drive, DVD-ROM Drive - 16x/48x - SATA Vista & non-Vista (models B3V B6U B6F C1S C1D C1Y C3S C3D C3Y)	41N3325	1
4	Optical drive, DVD Recordable/CD-RW Rambo 8 - SATA Vista & non-Vista (models C5U C5F)	43C1042	1
4	Optical drive, Blu-ray Recorder / DVD Super Multi (models)	53Y7643	1
5	Floppy Diskette Driver - 3.5" 1.44MB 2 Mode FDD with Bezel and cable Tower (models)	40Y9107	1
5	Floppy Diskette Driver - 3.5" 1.44MB 2 Mode FDD with Bezel and cable Tower (models)	40Y9105	1
6	Power switch / LED assembly (all models)	43N9074	1
7	Speaker, Internal speaker 400mm --optional (all models)	43N9091	1
8	Front audio / USB assembly (all models)	43N9076	1

Item #	7491 FRUs	FRU#	CRU
9	Hard disk drive, SATA 80GB 7200RPM/3Gb/8MB (models C5U C5F)	40Y9035	1
9	Hard disk drive, SATA 250GB 7200RPM/3Gb/8MB (models A1M A1A A1Q A1T A1K A2M A2A A2Q A2T A2K B1G B2G A9G A5G A8G)	40Y9036	1
9	Hard disk drive, SATA 320GB 7200rpm SATA/8MB (models A6G A7G)	87H4891	1
9	Hard disk drive, SATA 500GB 7200RPM/3Gb/s/8MB (models)	41X5582	1
9	Hard disk drive, 1TB 7200rpm SATA (models)	45C5973	1
9	Hard disk drive, 150G 10K rpm,SATA (models)	46R8893	1
10	System board, Intel G41 MATX(GA) Tower non-AMT (models C5U C5F)	46R8891	N
10	System board, Intel G41 MATX(GA) -NB upgrade (models C5U C5F)	64Y9197	N
11	Rear system fan (all models)	41R6269	2
12	Power supply, 280W Active PFC power supply(Auto sensing) for 10L---Robust,WW,JP (models C5U C5F)	41A9721	2
12	Power supply, 280W 85+ power supply for 10L---Robust,WW,JP (models C5U C5F)	41A9684	2
12	Power supply, ATX 280W 80% power supply;Robust,WW,JP (models C5U C5F)	41A9665	2
12	Power supply, ATX 320W 88% Power supply; WW, Robust,JP (models C5U C5F)	45J9410	2
12	Power supply, 280W Watt ATX Power supply (85plus)-WW, Robust,JP (models C5U C5F)	45J9431	2

The FRUs listed in the following tables are not illustrated.

7491 FRUs	FRU#	CRU
Thermal Grease --ShinEtsu 7783D 1g Syringe (all models)	91P8835	N
Shield, 5.25 EMC FOR 1st ODD Bay (all models)	41N8080	1
Cable -SATA 457mm (RoHS) for ODD (all models)	43N9013	2
Intrusion Switch Asm Tamdhu 475mm --Optional (all models)	39K5022	2
2st HDD SATA cable, 120mm, 1 latching for Device, RoHS (all models)	41R3328	2
Cable-SATA 250mm (RoHS) for 1st HDD (all models)	43N9012	2
Secondl HDD Bracket Asm for TamdhuIII (all models)	41R6106	1
Temp Sense Cable (6pin 460 mm) (all models)	45J9495	2
Front FAN 2X500G HDD or 500GB+1TB Only (all models)	41R4791	2
FDD Cable-TamdhuIII (all models)	41A7182	2
FDD Cable, 310mm (all modles)	41A7147	2
Card Reader Retainer-TamdhuII (all models)	41R2913	1
No OptiCal Bezel Kit - Tamdhu II (all models)	41N8077	1
Cover (all models)	41N8050	1
I/O Shield - Ace (all models)	41N8053	2
Intrusion Switch asm (all models)	41R6116	2
4 Pin System Fan For Tamdhu2, Apollo (all models)	41R6269	2
HDD TRAY, TAMDHU (all models)	41R6291	1
Asm Chassis Without IBM Mark, Recycle (all models)	43N9415	N
ODD/FDD/Cardreader Retainers, Tamdhu (all models)	43N9351	2
Blank 5.25" Bezel, Recycle (all models)	43N9413	2

7491 FRUs	FRU#	CRU
ASM BEZEL, WITHOUT IBM MARK, Recycle (all models)	43N9412	1
Cable Clip, FW-6D (all models)	43N9462	2
BATTERY 3V-LITHIUM (models C5U C5F)	45C1566	1
3.5" Convert 2.5" for 150GB 10K rpm HDD (1st HDD bay) (all models)	43N9593	2

7491 Keyboard (Lenovo Preferred Pro USB -- without hub)	FRU#	CRU Tier
US English (models C5U)	41A5289	1
Arabic (models B1G B2G A3G A9G A5G A6G A7G A8G)	41A5290	1
Arabic/French (models B1G B2G A3G A9G A5G A6G A7G A8G)	41A5291	1
Belgian/French (models B1G B2G A3G A9G A5G A6G A7G A8G)	41A5292	1
Belgian/English (models B1G B2G A3G A9G A5G A6G A7G A8G)	41A5293	1
Brazilian Portuguese (models)	41A5294	1
Bulgarian (models B1G B2G A3G A9G A5G A6G A7G A8G)	41A5295	1
Chinese/US (models B3V)	41A5296	1
Czech (models B1G B2G A3G A9G A5G A6G A7G A8G)	41A5297	1
Danish (models B1G B2G A3G A9G A5G A6G A7G A8G)	41A5298	1
Dutch (models B1G B2G A3G A9G A5G A6G A7G A8G)	41A5299	1
French (models B1G B2G A3G A9G A5G A6G A7G A8G)	41A5300	1
French Canadian (models C5F)	41A5301	1
French Canadian (models C5F)	41A5302	1
German (models B1G B2G A3G A9G A5G A6G A7G A8G)	41A5303	1
Greek (models B1G B2G A3G A9G A5G A6G A7G A8G)	41A5304	1
Greek/US (models B1G B2G A3G A9G A5G A6G A7G A8G)	41A5305	1
Hebrew (models B1G B2G A3G A9G A5G A6G A7G A8G)	41A5306	1
Hungarian (models B1G B2G A3G A9G A5G A6G A7G A8G)	41A5307	1
Iceland (models B1G B2G A3G A9G A5G A6G A7G A8G)	41A5308	1
Italian (models B1G B2G A3G A9G A5G A6G A7G A8G)	41A5309	1
Japanese (models)	41A5310	1
Korean (models B4K A1K A2K)	41A5311	1
LA Spanish (models B4S B4D B4Y C1S C1D C1Y C2S C2D C2Y C3S C3D C3Y)	41A5312	1
Norwegian (models B1G B2G A3G A9G A5G A6G A7G A8G)	41A5313	1
Polish (models B1G B2G A3G A9G A5G A6G A7G A8G)	41A5314	1
Portuguese (models B1G B2G A3G A9G A5G A6G A7G A8G)	41A5315	1
Romanian (models B1G B2G A3G A9G A5G A6G A7G A8G)	41A5316	1
Romanian (models B1G B2G A3G A9G A5G A6G A7G A8G)	41A5317	1
Russian/Cyrillic (models B1G B2G A3G A9G A5G A6G A7G A8G)	41A5318	1
Serbian/Cyrillic (models B1G B2G A3G A9G A5G A6G A7G A8G)	41A5319	1
Slovak (models B1G B2G A3G A9G A5G A6G A7G A8G)	41A5320	1
Spanish (models B1G B2G A3G A9G A5G A6G A7G A8G)	41A5321	1
Swedish/Finnish (models B1G B2G A3G A9G A5G A6G A7G A8G)	41A5322	1
Swiss (models B1G B2G A3G A9G A5G A6G A7G A8G)	41A5323	1

7491 Keyboard (Lenovo Preferred Pro USB -- without hub)	FRU#	CRU Tier
Thailand (models B4T A1T A2T)	41A5324	1
Turkish (models B1G B2G A3G A9G A5G A6G A7G A8G)	41A5325	1
Turkish (models B1G B2G A3G A9G A5G A6G A7G A8G)	41A5326	1
UK English (models B1G B2G A3G A9G A5G A6G A7G A8G)	41A5327	1
US Euro (models B1G B2G A3G A9G A5G A6G A7G A8G)	41A5328	1
Slovenian (models B1G B2G A3G A9G A5G A6G A7G A8G)	41A5329	1
Arabic(New) (models B1G B2G A3G A9G A5G A6G A7G A8G)	45J4880	1
Lithuanian (models B1G B2G A3G A9G A5G A6G A7G A8G)	45J4896	1

7491 Keyboard (Lenovo Fingerprint Reader USB)	FRU#	CRU Tier
US English (models)	41R0038	1
Arabic (models)	41R0039	1
Arabic/French (models)	41R0040	1
Belgian/French (models)	41R0041	1
Belgian/English (models)	41R0042	1
Brazilian Portuguese (models)	41R0043	1
Bulgarian (models)	41R0044	1
Chinese/US (models)	41R0045	1
Czech (models)	41R0046	1
Danish (models)	41R0047	1
Dutch (models)	41R0048	1
French (models)	41R0049	1
French Canadian (models)	41R0050	1
French Canadian (models)	41R0051	1
German (models)	41R0052	1
Greek (models)	41R0053	1
Greek/US (models)	41R0054	1
Hebrew (models)	41R0055	1
Hungarian (models)	41R0056	1
Iceland (models)	41R0057	1
Italian (models)	41R0058	1
Japanese (models)	41R0059	1
Korean (models)	41R0060	1
LA Spanish (models)	41R0061	1
Norwegian (models)	41R0062	1
Polish (models)	41R0063	1
Portuguese (models)	41R0064	1
Romanian (models)	41R0065	1
Romanian (models)	41R0066	1
Russian/Cyrillic (models)	41R0067	1
Serbian/Cyrillic (models)	41R0068	1

7491 Keyboard (Lenovo Fingerprint Reader USB)	FRU#	CRU Tier
Slovak (models)	41R0069	1
Spanish (models)	41R0070	1
Swedish/Finnish (models)	41R0071	1
Swiss (models)	41R0072	1
Thailand (models)	41R0073	1
Turkish (models)	41R0074	1
Turkish (models)	41R0075	1
UK English (models)	41R0076	1
US Euro (models)	41R0077	1
Slovenian (models)	41R0078	1

7491 Keyboard (Lenovo Preferred Pro PS/2 Full Size)	FRU#	CRU Tier
US English (models)	41A5039	1
Arabic (models)	41A5040	1
Arabic/French (models)	41A5041	1
Belgian/French (models)	41A5042	1
Belgian/English (models)	41A5043	1
Brazilian Portuguese (models)	41A5044	1
Bulgarian (models)	41A5045	1
Chinese/US (models)	41A5046	1
Czech (models)	41A5047	1
Danish (models)	41A5048	1
Dutch (models)	41A5049	1
French (models)	41A5050	1
French Canadian (models)	41A5051	1
French Canadian (models)	41A5052	1
German (models)	41A5053	1
Greek (models)	41A5054	1
Greek/US (models)	41A5080	1
Hebrew (models)	41A5055	1
Hungarian (models)	41A5056	1
Iceland (models)	41A5057	1
Italian (models)	41A5058	1
Japanese (models)	41A5059	1
Korean (models)	41A5060	1
LA Spanish (models)	41A5061	1
Norwegian (models)	41A5062	1
Polish (models)	41A5063	1
Portuguese (models)	41A5064	1
Romanian (models)	41A5065	1
Russian/Cyrillic (models)	41A5066	1

7491 Keyboard (Lenovo Preferred Pro PS/2 Full Size)	FRU#	CRU Tier
Serbian/Cyrillic (models)	41A5067	1
Slovak (models)	41R0068	1
Spanish (models)	41R0069	1
Swedish/Finnish (models)	41A5070	1
Swiss (models)	41A5071	1
Thailand (models)	41A5072	1
Turkish (models)	41A5073	1
Turkish (models)	41A5074	1
UK English (models)	41A5075	1
US Euro (models)	41A5076	1
Slovenian (models)	41A5077	1

7491 mice	FRU#	CRU
Optical Wheel Mouse (400DPI, USB) (models C5U C5F)	41U3013	1
Optical Wheel Mouse (400DPI, USB) (models C5U C5F)	41U3030	1
PS/2 2 Button Ball Mouse (models)	41R0018	1

7491 Adapters and miscellaneous FRUs	FRU#	CRU
Internal 20 in 1 USB Memory Card Reader(Tower) (models)	45R8139	1
IEEE 1394 Firewire Adapter SFF (ROCKYS) (models)	41D2781	1
Dash Marvell Ethernet card ATX Tower (models)	53Y4008	1
Soft Modem V.90/V.44 SFF (ROCKYS) (models)	29R9729	1
Speaker Power brick - US, Canada, LA low voltage, ASEAN (models C5U)	89P8571	1
Speaker Power brick - LA high voltage (non-APU) (models)	89P8575	1
Speaker Power brick - SIMPLIFIED -CHN, Thailand EMEA (models B1G B2G A3G A9G A5G A6G A7G A8G)	89P8581	1
Speaker Power brick - JAPANESE (models)	89P8577	1
Speaker Power brick - Brazil (models)	89P8583	1
Speaker Power brick - Argentina (models)	41A4901	1
Speaker Power brick - ANZ (models B4M A1M A2M)	89P8579	1
Speaker Power brick - KOREA (models)	41A4903	1
Speaker Power brick - HONG KONG, EMEA,IRELAND (models B1G B2G A3G A9G A5G A6G A7G A8G)	89P8573	1
Speaker Power brick -TAIWAN-TC (models B3V)	41A4905	1
Speaker Power brick - INDIA, South Africa (models B4Q A1Q A2Q)	89P8585	1
2-pc external speaker--primary (models)	41A5331	1
2-pc external speaker-secondary (models)	41A5334	1
DVI-I(M)-VGA(F) cord (models)	41R3342	1
Geforce9500GT GDDR3 512MB - towerDVI+HDMI+DP (Tower) (models)	46R1524	1
ATI HD3470 GDDR3 256MB - VGA+DP (models)	46R1521	1
ADD2 DVI-D Adapter, (HDCP) DVD-D connection Adapter Low Profile (Silicon Image) (models)	43C0258	1

7491 Adapters and miscellaneous FRUs	FRU#	CRU
DisplayPort to DVI-D Dongle (models)	43N9160	1
DisplayPort to VGA Dongle (models)	45J9524	1
Modem phone cable (models)	39K5120	1
LI300mm Rear USB 2Ports II HP®(Tower) (models)	42Y8005	2
LI350mm Rear Com2 cable II mini® (Tower) (models)	41R8548	2
Nvidia G100 DDR2 256MB ATX - DVI-I+VGA (models)	53Y9249	1

7491 Line Cords	FRU#	CRU
Line cord - US (models C5U C5F)	41R3184	1
Line cord - US (models C5U C5F)	41R3185	1
Line cord - China (models)	41R3256	1
Line cord - China (models)	41R3257	1
Line cord - Japanese and Japanese English (models)	41R3248	1
Line cord - Japanese and Japanese English (models)	41R3249	1
Line cord - Brazil (models)	41R3270	1
Line cord - Brazil (models)	41R3271	1
Line cord - LA High Volt APU (models)	41R3176	1
Line Cord - LA High Volt APU (models)	41R3177	1
Line cord - ANZ (models)	41R3196	1
Line cord - ANZ (models)	41R3197	1
Line Cord - Korea (models)	41R3260	1
Line Cord - Korea (models)	41R3261	1
Line Cord - UK, Ireland, Singapore, Malaysia, Brunei (models)	41R3224	1
Line Cord - UK, Ireland, Singapore, Malaysia, Brunei (models)	41R3225	1
Line Cord - Taiwan (models B3V)	41R3278	1
Line Cord - Taiwan (models B3V)	41R3279	1
Line Cord - Italy (models)	41R3232	1
Line Cord - Italy (models)	41R3233	1
Line Cord - Indonesia, Laos, Cambodia, and Vietnam (models C5U C5F)	41R3208	1
Line Cord - Indonesia, Laos, Cambodia, and Vietnam (models C5U C5F)	41R3209	1
Line Cord - Denmark (models B1G B2G A3G A9G A5G A6G A7G A8G)	41R3212	1
Line Cord - Denmark (models B1G B2G A3G A9G A5G A6G A7G A8G)	41R3213	1
Line Cord - Switzerland (models B1G B2G A3G A9G A5G A6G A7G A8G)	41R3228	1
Line Cord - Switzerland (models B1G B2G A3G A9G A5G A6G A7G A8G)	41R3229	1
Line Cord - Israel (models B1G B2G A3G A9G A5G A6G A7G A8G)	41R3236	1
Line Cord - Israel (models B1G B2G A3G A9G A5G A6G A7G A8G)	41R3237	1
Line Cord - South Africa (models B4M B4A A1M A1A A2M A2A B1G B2G A3G A9G A5G A6G A7G A8G)	41R3220	1
Line Cord - South Africa (models B4M B4A A1M A1A A2M A2A B1G B2G A3G A9G A5G A6G A7G A8G)	41R3221	1
Line Cord - India (models B4Q A1Q A2Q)	41R3341	1

7491 Line Cords	FRU#	CRU
Line Cord - India (models B4Q A1Q A2Q)	41R3175	1
Line Cord - Thailand (models B4T A1T A2T)	43N9029	1
Line Cord - Thailand (models B4T A1T A2T)	43N9030	1
Line Cord - Y cable for Brazil (models)	43N9044	1

7491 Windows XP Pro Recovery CDs	FRU#	CRU
Dutch (models)	63Y8807	1
Hebrew (models)	63Y8810	1
Portuguese (models)	63Y8818	1
Russian English (models)	63Y8814	1
Hungarian (models)	63Y8816	1
Czech (models)	63Y8808	1
Turkish (models)	63Y8815	1
Greek (models)	63Y8817	1
Slovenian (models)	63Y8819	1
Korea (models)	63Y8823	1
US English (models C5U)	64Y5615	1
French (models C5U)	64Y5616	1
German (models)	64Y5617	1
Italian (models)	64Y5647	1
Brazilian Portuguese (models)	64Y5646	1
Spanish (models)	64Y5645	1
Danish (models)	64Y5736	1
Arabic (models)	64Y5739	1
Swedish (models)	64Y5735	1
Finnish (models)	64Y5737	1
Norwegian (models)	64Y5734	1
Polish (models)	64Y5738	1
Russian (models)	64Y5740	1
Japanese (models)	64Y6078	1
Simplified Chinese (models)	64Y5741	1
Traditional Chinese (models)	64Y5742	1
Hong Kong (models)	64Y5743	1

7491 Vista Home Basic 32 Recovery DVDs	FRU#	CRU
English (models)	64Y2512	1
French (models)	64Y2514	1
German (models)	64Y2515	1
Spanish (models)	64Y2516	1
Brazilian Portuguese (models)	64Y2517	1
Italian (models)	64Y2518	1

7491 Vista Home Basic 32 Recovery DVDs	FRU#	CRU
Japanese (models)	64Y2525	1
Dutch (models)	64Y2532	1
Czech (models)	64Y2519	1
Polish (models)	64Y2520	1
Russian (models)	64Y2521	1
Turkish (models)	64Y2522	1
Hungarian (models)	64Y2523	1
Greek (models)	64Y2524	1
Portuguese (models)	64Y2535	1
Simplified Chinese (models)	64Y2526	1
Hong Kong (models)	64Y2528	1
Traditional Chinese (models)	64Y2527	1
Korean (models)	64Y2529	1
Slovenian (models)	64Y2530	1
Russian English (models)	64Y2513	1
Hebrew (models)	64Y2533	1
Arabic enabled (models)	64Y2531	1
Slovakian (models)	64Y2537	1
Romanian (models)	64Y2534	1
Serbian-Latin (models)	64Y2536	1
Miami MUL DVD P/Ns Vista Home Basic 32 C&L 1 Nordics (English DK Fi No SV) (models)	64Y2538	1
Miami MUL DVD P/Ns Vista Home Basic 32 C&L 2 Switzerland (English FR GR IT) (models)	64Y2539	1
Miami MUL DVD P/Ns Vista Home Basic 32 C&L 3 Bel Lux (English FR GR NL) (models)	64Y2540	1

7491 Vista Business 32 Recovery DVDs	FRU#	CRU
English (models B4M B4A B4Q A1M A1A A1Q A2M A2A A2Q A3G A9G A5G A6G A7G A8G)	64Y2425	1
French (models A3G A9G A5G A6G A7G A8G)	64Y2427	1
German (models A3G A9G A5G A6G A7G A8G)	64Y2428	1
Spanish (models A3G A9G A5G A6G A7G A8G)	64Y2429	1
Brazilian (models)	64Y2430	1
Italian (models A3G A9G A5G A6G A7G A8G)	64Y2432	1
Japanese (models)	64Y2438	1
Dutch (models A3G A9G A5G A6G A7G A8G)	64Y2445	1
Czech (models)	64Y2432	1
Polish (models A3G A9G A5G A6G A7G A8G)	64Y2433	1
Russian (models A3G A9G A5G A6G A7G A8G)	64Y2434	1
Turkish (models A3G A9G A5G A6G A7G A8G)	64Y2435	1
Hungarian (models A3G A9G A5G A6G A7G A8G)	64Y2436	1
Greek (models A3G A9G A5G A6G A7G A8G)	64Y2437	1

7491 Vista Business 32 Recovery DVDs	FRU#	CRU
Portuguese (models)	64Y2448	1
Simplified Chinese (models)	64Y2439	1
Traditional Chinese (models B3V)	64Y2440	1
Hong Kong (models)	64Y2441	1
Korean (models B4K A1K A2K)	64Y2442	1
Slovenian (models A3G A9G A5G A6G A7G A8G)	64Y2443	1
Russian English (models A3G A9G A5G A6G A7G A8G)	64Y2426	1
Romanian (models A3G A9G A5G A6G A7G A8G)	64Y2447	1
Sebian-Latin (models A3G A9G A5G A6G A7G A8G)	64Y2449	1
Slovakian (models A3G A9G A5G A6G A7G A8G)	64Y2450	1
Arabic enabled (models A3G A9G A5G A6G A7G A8G)	64Y2444	1
Hebrew (models A3G A9G A5G A6G A7G A8G)	64Y2446	1
Miami MUL DVD P/Ns VB32 C&L1 Nordics (English DK FI NO SV) (models A3G A9G A5G A6G A7G A8G)	64Y2451	1
Miami MUL DVD P/Ns VB32 C&L 2 Switzerland (English FR GR IT) (models A3G A9G A5G A6G A7G A8G)	64Y2452	1
Miami MUL DVD P/Ns VB32 C&L3 Bel Lux (English FR GR NL) (models A3G A9G A5G A6G A7G A8G)	64Y2453	1

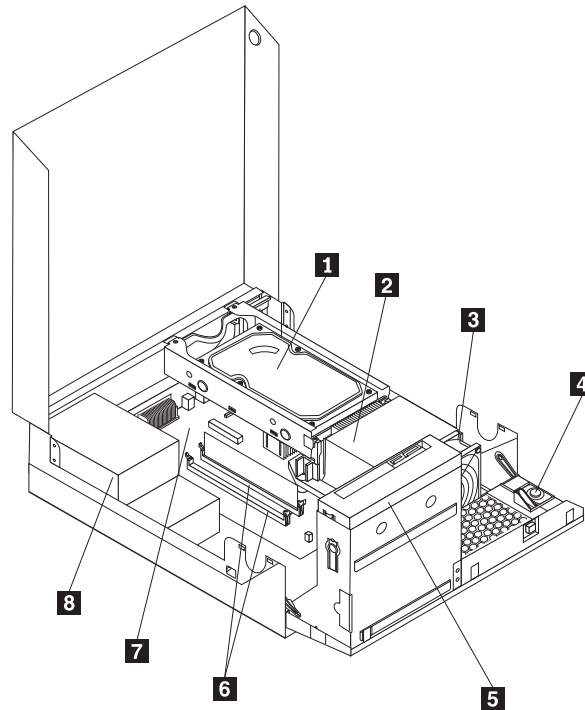
7491 Vista VHP 32 Recovery DVDs	FRU#	CRU
English (models)	64Y2541	1
French (models)	64Y2542	1
German (models)	64Y2543	1
Spanish (models)	64Y2544	1
Italian (models)	64Y2546	1
Japanese (models)	64Y2547	1
Hong Kong (models)	64Y2548	1
Korean (models)	64Y2545	1
Miami MUL DVD P/Ns VHP32 C&L1 Nordics (English DK FI NO SV) (models)	64Y2549	1
Miami MUL DVD P/Ns VHP32 C&L 2 Switzerland (English FR GR IT) (models)	64Y2550	1
Miami MUL DVD P/Ns VHP32 C&L3 Bel Lux (English FR GR NL) (models)	64Y2551	1

7491 Vista Business 64 Recovery CDs	FRU#	CRU
English (models)	64Y2561	1
French (models)	64Y2562	1
German (models)	64Y2563	1
Japanese (models)	64Y2564	1
Simplified Chinese (models)	64Y2565	1

7491 Vista Ultimate 32 Recovery CDs	FRU#	CRU
English (models)	64Y2552	1
Japanese (models)	64Y2557	1

7491 Vista Ultimate 32 Recovery CDs	FRU#	CRU
French (models)	64Y2553	1
German (models)	64Y2554	1
Spanish (models)	64Y2555	1
Italian (models)	64Y2556	1
HongKong (models)	64Y2558	1
Arabic Localized (models)	64Y2559	1
MUL DVD P/Ns VU32 C&L1 Nordics (EN DK FI NO SV) (models)	64Y2560	1

Machine Type 7506



Item #	7506 FRUs	FRU#	CRU
1	Hard disk drive, SATA 80GB 7200RPM/3Gb/8MB (models D1A D1T D2A D2T D3A D3T D4A D4T D5A D5T D6U D6F D7U D7F)	40Y9035	1
1	Hard disk drive, SATA 250GB 7200RPM/3Gb/8MB (models A1M A1A A1Q A1T A1K A2M A2A A2K A9G B1G A8G A3G A5G)	40Y9036	1
1	Hard disk drive, SATA 320GB 7200rpm SATA/8MB (models A6G A7G)	87H4891	1
1	Hard disk drive, SATA 500GB 7200RPM/3Gb/s/8MB (models)	41X5582	1
1	Hard disk drive, 1TB 7200rpm SATA (models)	45C5973	1
1	Hard disk drive, 150G 10K rpm,SATA (models)	46R8893	1
2	Microprocessor, E6550 2.33GHZ/1333MHZ/4M G-0 65W (models)	43C3833	N
2	Microprocessor, E8600 3.33GHZ/1333MHZ/6M E0 65W (models)	46R8640	N
2	Microprocessor, E8500 3.16GHz 1333MHz FSB 6M C-0 65W (models B7M B7A B7Q B7T B7K A2M A2A A2K A7G)	45C7735	N
2	Microprocessor, E8400 3.0GHz 1333MHz FSB 6M C-0 65W (models)	45C7736	N
2	Microprocessor, E8300 2.83GHz 1333MHz FSB 6M C-0 65W (models)	45C7737	N
2	Microprocessor, E8200 2.66GHz 1333MHz FSB 6M C-0 65W (models)	45C7738	N
2	Microprocessor, E8190 2.66GHz 1333MHz FSB 6M C-0 - NON VT/Vpro 65W (models)	45R2568	N
2	Microprocessor, E7200 2.53GHz 1066MHz FSB 3M M-0 65W (models)	45R8337	N
2	Microprocessor, E7300 2.66GHz 1066MHz FSB 3M M-0 65W (models D1A D1T D2A D2T)	46R1622	N
2	Microprocessor, E7400 2.8GHZ 1066M 3M R0 (ViiV,EIST,EM64T,EDB) 65W (models D3A D3T)	53Y6653	N

Item #	7506 FRUs	FRU#	CRU
2	Microprocessor, E7500 2.93GHZ 1066M 3M R0 (ViiV,EIST,EM64T,EDB) 65W (models D4A D4T D5A D5T D6U D6F)	53Y6654	N
2	Microprocessor, E2160 Conroe-L 1.8GHz 800MHz FSB 1M (models)	43C1968	N
2	Microprocessor, E2180 Conroe-L 2.0GHz 800MHz FSB 1M (models)	45C1773	N
2	Microprocessor, E2200 Conroe-L 2.2GHz 800MHz FSB 1M (models)	45C5349	N
2	Microprocessor, E2220 Conroe-L 2.4GHz 800MHz FSB 1M (models)	45C1774	N
2	Microprocessor, E5200 800MHz 2M M-0 65W, 45nm (models)	46R9512	N
2	Microprocessor, E5300 2.6GHz 800MHz 2MB R0 (EIST,EM64T,EDB) 65W (models D7U D7F)	53Y9049	N
2	Microprocessor, E1600 2.4GHZ/800MHZ/512K - NPI M-0 65W (models)	46R1655	N
2	Microprocessor, E1400 2.0GHz 800MHz FSB 512K - NPI M-0 65W (models)	45R8339	N
2	Microprocessor, E1200 1.6GHZ/800MHZ/512K M-0 65W (models)	45R8341	N
2	Microprocessor, E1500 2.2GHz 800MHz 512KB (EIST,EM64T,EDB) M0 65W (models)	53Y9051	N
2	Microprocessor, Cel-420 Conroe-L 1.6GHz 800MHz FSB 512K (models)	43C3835	N
2	Microprocessor, Cel-430 Conroe-L 1.8GHz 800MHz FSB 512K (models)	43C1964	N
2	Microprocessor, Cel-440 Conroe-L 2.0GHz 800MHz FSB 512K (models)	43C1965	N
2	Microprocessor, Cel-450 2.2GHz 800MHz FSB 512K 35W (models)	46R9514	N
2	Microprocessor, Q9650 3.0GHZ 1333FSB 12MB VT, TXT E-0 95W (models)	46R8642	N
2	Microprocessor, Q9400 2.66GHZ 1333FSB 6MB VT, TXT R-0 95W (models)	46R8644	N
2	Microprocessor, Q8200 2.33GHZ 1333FSB 4M M-1 95W (models)	46R9516	N
2	Microprocessor, Q8300 Yorkfield 2.5GHZ,1333MHz,4M R-0 (ViiV,EIST,EM64T,EDB) (models)	53Y6656	N
2	Microprocessor, Q6600 2.4GHZ 1066FSB 8M G-0 Stepping Level, 95W (models)	43C1695	N
2	Microprocessor, Q6700 2.66GHZ 1066FSB 8M G-0 Stepping Level, 95W (models)	43C6309	N
2	Microprocessor, Q9550 2.83GHZ 1333FSB 12M C-1 95W (models)	45C7739	N
2	Microprocessor, Q9450 Yorkfield 2.66GHZ 1333FSB 12M C-1 95W (models)	45C7740	N
2	Microprocessor, Q9300 Yorkfield 2.50GHZ 1333FSB 6M M-1 95W (models)	45C7741	N
3	Heat Sink, 95W heatsink Kit for 607BT, with RM (all models)	41R6454	2
3	Heat Sink, 65W heatsink Kit for 607BT, with RM (all models)	43N9349	2
4	Speaker, internal speaker 254mm -optional (all models)	39K5012	2
5	DVD-ROM Drive - 16x/48x - SATA Vista & non-Vista (models B2V B9U B9F C4S C4P C4D C4Y C7U C7F C8S C8P C8D C8Y)	41N3325	1
5	DVD Recordable/CD-RW Rambo 8 - SATA Vista & non-Vista (models D1A D1T D2A D2T D3A D3T D4A D4T D5A D5T D6U D6F D7U D7F)	43C1042	1
6	Memory module, 512MB PC2-5300 (667MHz) DDR2 SDRAM (models)	41X4255	1
6	Memory module, 1GB PC2-5300 (667MHz) DDR2 SDRAM (models)	41X4256	1
6	Memory module, 2GB PC2-5300 (667MHz) DDR2 SDRAM (models)	41X4257	1
6	Memory module, 512MB PC2-6400 (800MHz) DDR2 SDRAM (models)	41X1079	1
6	Memory module, 1GB PC2-6400 (667MHz) DDR2 SDRAM (models B2V B9U B9F C4S C4P C4D C4Y C7U C7F C8S C8P C8D C8Y)	41X1080	1
6	Memory module, 2GB PC2-6400 (667MHz) DDR2 SDRAM (models D1A D1T D2A D2T D3A D3T D4A D4T D5A D5T D6U D6F D7U D7F)	41X1081	1

Item #	7506 FRUs	FRU#	CRU
7	System board, Intel G41 BTX(GA) SFF non-AMT (models D1A D1T D2A D2T D3A D3T D4A D4T D5A D5T D6U D6F D7U D7F)	46R8892	N
7	System board, Intel G41 BTX(GA) -NB upgrade (models D1A D1T D2A D2T D3A D3T D4A D4T D5A D5T D6U D6F D7U D7F)	64Y9198	N
8	Power supply, 280W Active PFC power supply(Auto sensing) for 10L---Robust,WW,JP (models D1A D1T D2A D2T D3A D3T D4A D4T D5A D5T D6U D6F D7U D7F)	41A9701	N
8	Power supply, 280W 85+ power supply for 10L---Robust,WW,JP (models D1A D1T D2A D2T D3A D3T D4A D4T D5A D5T D6U D6F D7U D7F)	41A9742	N
8	Power supply, 280W Active PFC power supply(Auto sensing) for 10L---Robust,WW,JP (models D1A D1T D2A D2T D3A D3T D4A D4T D5A D5T D6U D6F D7U D7F)	45J9418	N
8	Power supply, 280W 85+ power supply for 10L---Robust,WW,JP (models D1A D1T D2A D2T D3A D3T D4A D4T D5A D5T D6U D6F D7U D7F)	45J9423	N

The FRUs listed in the following tables are not illustrated.

7506 FRUs	FRU#	CRU
Cabel, SATA 700mm (RoHS) for ODD / 2st HDD (all models)	43N9011	2
Cabel -SATA 600mm (RoHS) for ODD / 2st HDD sub from 43N9011 disposition code 22 (all models)	45J9579	2
Thermal Grease --ShinEtsu 7783D 1g Syringe (all models)	91P8835	N
Rubber foot for horizontal Fru rubber foot for horizontal (all models)	43N9728	1
C2 Intrusion Switch 260mm (all models)	43N9080	2
Rear IO shield BTX (all models)	41R6381	2
Temp Sense Cable (165 mm) (all models)	43N9079	N
Universal Adapter Bracket 5.25 to 3.5 W/Bezel, 607BT (all models)	43N9584	2
Vertical Stand, recycle resin (all models)	43N9644	2
Vertical Stand, recycle resin (all models)	43N9585	2
Air Deflector, recycle resin, milan (all models)	43N9610	1
Cable,Luxshare,LED/switch cable R(nonPCB 220mm 10L) for Milan (all models)	43N9075	2
607BT Optical Bezel Asm (all models)	43N9589	2
607BT,NO ODD, Blank Bezel, Plastic (all models)	43N9590	1
Cardreader Bezel, Milan/607BT (all models)	43N9591	1
Non-Cardreader Bezel, Milan/607BT (all models)	43N9592	1
HDD TRAY ASM (all models)	43N9595	1
FRONTCAGE ASM (all models)	43N9596	1
Chassis for Miami (all models)	43N9650	N
Cable,Front I_O cable_R(10L_U380_A550)_ESD (all models)	45J9509	N
Models with 3.5" Convert 2.5" for 150GB 10K rpm HDD (1st HDD bay) (all models)	43N9645	2
Cable-SATA 250mm (RoHS) for 1st HDD (all models)	43N9012	2
BATTERY 3V-LITHIUM (models D1A D1T D2A D2T D3A D3T D4A D4T D5A D5T D6U D6F D7U D7F)	45C1566	1

7506 Keyboard (Lenovo Preferred Pro USB -- without hub)	FRU#	CRU Tier
US English (models D1A D2A D3A D4A D5A D6U D7U)	41A5289	1
Arabic (models A9G B1G A8G A3G A5G A6G A7G)	41A5290	1
Arabic/French (models A9G B1G A8G A3G A5G A6G A7G)	41A5291	1
Belgian/French (models)	41A5292	1
Belgian/English (models A9G B1G A8G A3G A5G A6G A7G)	41A5293	1
Brazilian Portuguese (models C4P C5P C6P C8P)	41A5294	1
Bulgarian (models A9G B1G A8G A3G A5G A6G A7G)	41A5295	1
Chinese/US (models B2V)	41A5296	1
Czech (models A9G B1G A8G A3G A5G A6G A7G)	41A5297	1
Danish (models A9G B1G A8G A3G A5G A6G A7G)	41A5298	1
Dutch (models A9G B1G A8G A3G A5G A6G A7G)	41A5299	1
French (models A9G B1G A8G A3G A5G A6G A7G)	41A5300	1
French Canadian (models D6F D7F)	41A5301	1
French Canadian (models D6F D7F)	41A5302	1
German (models A9G B1G A8G A3G A5G A6G A7G)	41A5303	1
Greek (models A9G B1G A8G A3G A5G A6G A7G)	41A5304	1
Greek/US (models A9G B1G A8G A3G A5G A6G A7G)	41A5305	1
Hebrew (models A9G B1G A8G A3G A5G A6G A7G)	41A5306	1
Hungarian (models A9G B1G A8G A3G A5G A6G A7G)	41A5307	1
Iceland (models A9G B1G A8G A3G A5G A6G A7G)	41A5308	1
Italian (models A9G B1G A8G A3G A5G A6G A7G)	41A5309	1
Japanese (models)	41A5310	1
Korean (models B3K B4K B5K B6K B7K A1K A2K)	41A5311	1
LA Spanish (models C4S C4D C4Y C5S C5D C5Y C6S C6D C6Y C8S C8D C8Y)	41A5312	1
Norwegian (models A9G B1G A8G A3G A5G A6G A7G)	41A5313	1
Polish (models A9G B1G A8G A3G A5G A6G A7G)	41A5314	1
Portuguese (models A9G B1G A8G A3G A5G A6G A7G)	41A5315	1
Romanian (models A9G B1G A8G A3G A5G A6G A7G)	41A5316	1
Romanian (models A9G B1G A8G A3G A5G A6G A7G)	41A5317	1
Russian/Cyrillic (models A9G B1G A8G A3G A5G A6G A7G)	41A5318	1
Serbian/Cyrillic (models A9G B1G A8G A3G A5G A6G A7G)	41A5319	1
Slovak (models A9G B1G A8G A3G A5G A6G A7G)	41A5320	1
Spanish (models A9G B1G A8G A3G A5G A6G A7G)	41A5321	1
Swedish/Finnish (models A9G B1G A8G A3G A5G A6G A7G)	41A5322	1
Swiss (models A9G B1G A8G A3G A5G A6G A7G)	41A5323	1
Thailand (models D1T D2T D3T D4T D5T)	41A5324	1
Turkish (models A9G B1G A8G A3G A5G A6G A7G)	41A5325	1
Turkish (models A9G B1G A8G A3G A5G A6G A7G)	41A5326	1
UK English (models A9G B1G A8G A3G A5G A6G A7G)	41A5327	1
US Euro (models A9G B1G A8G A3G A5G A6G A7G)	41A5328	1
Slovenian (models)	41A5329	1

7506 Keyboard (Lenovo Preferred Pro USB -- without hub)	FRU#	CRU Tier
Arabic(New) (models A9G B1G A8G A3G A5G A6G A7G)	45J4880	1
Lithuanian (models)	45J4896	1

7506 Keyboard (Lenovo Fingerprint Reader USB)	FRU#	CRU Tier
US English (models)	41R0038	1
Arabic (models)	41R0039	1
Arabic/French (models)	41R0040	1
Belgian/French (models)	41R0041	1
Belgian/English (models)	41R0042	1
Brazilian Portuguese (models)	41R0043	1
Bulgarian (models)	41R0044	1
Chinese/US (models)	41R0045	1
Czech (models)	41R0046	1
Danish (models)	41R0047	1
Dutch (models)	41R0048	1
French (models)	41R0049	1
French Canadian (models)	41R0050	1
French Canadian (models)	41R0051	1
German (models)	41R0052	1
Greek (models)	41R0053	1
Greek/US (models)	41R0054	1
Hebrew (models)	41R0055	1
Hungarian (models)	41R0056	1
Iceland (models)	41R0057	1
Italian (models)	41R0058	1
Japanese (models)	41R0059	1
Korean (models)	41R0060	1
LA Spanish (models)	41R0061	1
Norwegian (models)	41R0062	1
Polish (models)	41R0063	1
Portuguese (models)	41R0064	1
Romanian (models)	41R0065	1
Romanian (models)	41R0066	1
Russian/Cyrillic (models)	41R0067	1
Serbian/Cyrillic (models)	41R0068	1
Slovak (models)	41R0069	1
Spanish (models)	41R0070	1
Swedish/Finnish (models)	41R0071	1
Swiss (models)	41R0072	1
Thailand (models)	41R0073	1
Turkish (models)	41R0074	1

7506 Keyboard (Lenovo Fingerprint Reader USB)	FRU#	CRU Tier
Turkish (models)	41R0075	1
UK English (models)	41R0076	1
US Euro (models)	41R0077	1
Slovenian (models)	41R0078	1

7506 Keyboard (Lenovo Preferred Pro PS/2 Full Size)	FRU#	CRU Tier
US English (models)	41A5039	1
Arabic (models)	41A5040	1
Arabic/French (models)	41A5041	1
Belgian/French (models)	41A5042	1
Belgian/English (models)	41A5043	1
Brazilian Portuguese (models)	41A5044	1
Bulgarian (models)	41A5045	1
Chinese/US (models)	41A5046	1
Czech (models)	41A5047	1
Danish (models)	41A5048	1
Dutch (models)	41A5049	1
French (models)	41A5050	1
French Canadian (models)	41A5051	1
French Canadian (models)	41A5052	1
German (models)	41A5053	1
Greek (models)	41A5054	1
Greek/US (models)	41A5080	1
Hebrew (models)	41A5055	1
Hungarian (models)	41A5056	1
Iceland (models)	41A5057	1
Italian (models)	41A5058	1
Japanese (models)	41A5059	1
Korean (models)	41A5060	1
LA Spanish (models)	41A5061	1
Norwegian (models)	41A5062	1
Polish (models)	41A5063	1
Portuguese (models)	41A5064	1
Romanian (models)	41A5065	1
Russian/Cyrillic (models)	41A5066	1
Serbian/Cyrillic (models)	41A5067	1
Slovak (models)	41R0068	1
Spanish (models)	41R0069	1
Swedish/Finnish (models)	41A5070	1
Swiss (models)	41A5071	1
Thailand (models)	41A5072	1

7506 Keyboard (Lenovo Preferred Pro PS/2 Full Size)	FRU#	CRU Tier
Turkish (models)	41A5073	1
Turkish (models)	41A5074	1
UK English (models)	41A5075	1
US Euro (models)	41A5076	1
Slovenian (models)	41A5077	1

7506 mice	FRU#	CRU
Optical Wheel Mouse (400DPI, USB) (models D1A D1T D2A D2T D3A D3T D4A D4T D5A D5T D6U D6F D7U D7F)	41U3013	1
Optical Wheel Mouse (400DPI, USB) (models D1A D1T D2A D2T D3A D3T D4A D4T D5A D5T D6U D6F D7U D7F)	41U3030	1
PS/2 2 Button Ball Mouse (models)	41R0018	1

7506 Adapters and miscellaneous FRUs	FRU#	CRU
Internal USB 20 in 1 Memory Card Reader Slim SFF (models)	46R1529	1
IEEE 1394 Firewire Adapter SFF (ROCKYS) (models)	41D2781	1
Soft Modem V.90/V.44 SFF (ROCKYS) (models)	29R9729	1
Speaker Power brick - US, Canada, LA low voltage, ASEAN (models D6U D7U)	89P8571	1
Speaker Power brick - LA high voltage (non-APU) (models)	89P8575	1
Speaker Power brick - SIMPLIFIED -CHN, Thailand EMEA (models A9G B1G A8G A3G A5G A6G A7G)	89P8581	1
Speaker Power brick - JAPANESE (models)	89P8577	1
Speaker Power brick - Brazil (models)	89P8583	1
Speaker Power brick - Argentina (models)	41A4901	1
Speaker Power brick - ANZ (models B3M B4M B5M B6M B7M A1M A2M)	89P8579	1
Speaker Power brick - KOREA (models)	41A4903	1
Speaker Power brick - HONG KONG, EMEA,IRELAND (models A9G B1G A8G A3G A5G A6G A7G)	89P8573	1
Speaker Power brick -TAIWAN-TC (models B2V)	41A4905	1
Speaker Power brick - INDIA, South Africa (models B3Q B4Q B5Q B6Q B7Q A1Q)	89P8585	1
2-pc external speaker--primary (models)	41A5331	1
2-pc external speaker-secondary (models)	41A5334	1
DVI-I(M)-VGA(F) cord (models)	41R3342	1
ATI HD3470 GDDR3 256MB - VGA+DP (models)	46R1521	1
ADD2 DVI-D Adapter, (HDCP) DVD-D connection Adapter Low Profile(Silicon Image) (models)	43C0258	1
DisplayPort to DVI-D Dongle (models)	43N9160	1
DisplayPort to VGA Dongle (models)	45J9524	1
Modem phone cable (models)	39K5120	1
LI140mm Rear Com2 cable II mini® SFF (models)	43N9062	2
Rear USB 2Ports II LP® 350mm (modles)	43N9124	2
Nvidia G100 DDR2 256MB LP - DVI-I (With DVI-I to VGA Dongle) (models)	53Y9341	1

7506 Line Cords	FRU#	CRU
Line cord - US (models D1A D1T D2A D2T D3A D3T D4A D4T D5A D5T D6U D6F D7U D7F)	41R3184	1
Line cord - US (models D1A D1T D2A D2T D3A D3T D4A D4T D5A D5T D6U D6F D7U D7F)	41R3185	1
Line cord - China (models)	41R3256	1
Line cord - China (models)	41R3257	1
Line cord - Japanese and Japanese English (models)	41R3248	1
Line cord - Japanese and Japanese English (models)	41R3249	1
Line cord - Brazil (models)	41R3270	1
Line cord - Brazil (models)	41R3271	1
Line cord - LA High Volt APU (models)	41R3176	1
Line Cord - LA High Volt APU (models)	41R3177	1
Line cord - ANZ (models)	41R3196	1
Line cord - ANZ (models)	41R3197	1
Line Cord - Korea (models)	41R3260	1
Line Cord - Korea (models)	41R3261	1
Line Cord - UK, Ireland, Singapore, Malaysia, Brunei (models)	41R3224	1
Line Cord - UK, Ireland, Singapore, Malaysia, Brunei (models)	41R3225	1
Line Cord - Taiwan (models B2V)	41R3278	1
Line Cord - Taiwan (models B2V)	41R3279	1
Line Cord - Italy (models)	41R3232	1
Line Cord - Italy (models)	41R3233	1
Line Cord - Indonesia, Laos, Cambodia, and Vietnam (models D1A D1T D2A D2T D3A D3T D4A D4T D5A D5T D6U D6F D7U D7F)	41R3208	1
Line Cord - Indonesia, Laos, Cambodia, and Vietnam (models D1A D1T D2A D2T D3A D3T D4A D4T D5A D5T D6U D6F D7U D7F)	41R3209	1
Line Cord - Denmark (models A9G B1G A8G A3G A5G A6G A7G)	41R3212	1
Line Cord - Denmark (models A9G B1G A8G A3G A5G A6G A7G)	41R3213	1
Line Cord - Switzerland (models A9G B1G A8G A3G A5G A6G A7G)	41R3228	1
Line Cord - Switzerland (models A9G B1G A8G A3G A5G A6G A7G)	41R3229	1
Line Cord - Israel (models A9G B1G A8G A3G A5G A6G A7G)	41R3236	1
Line Cord - Israel (models A9G B1G A8G A3G A5G A6G A7G)	41R3237	1
Line Cord - South Africa (models D1A D2A D3A D4A D5A)	41R3220	1
Line Cord - South Africa (models D1A D2A D3A D4A D5A)	41R3221	1
Line Cord - India (models B3Q B4Q B5Q B6Q B7Q A1Q)	41R3341	1
Line Cord - India (models B3Q B4Q B5Q B6Q B7Q A1Q)	41R3175	1
Line Cord - Thailand (models D1T D2T D3T D4T D5T)	43N9029	1
Line Cord - Thailand (models D1T D2T D3T D4T D5T)	43N9030	1
Line Cord - Y cable for Brazil Line Cord - India (models)	43N9044	1

7506 Windows XP Pro Recovery CDs	FRU#	CRU
Dutch (models)	63Y8807	1

7506 Windows XP Pro Recovery CDs	FRU#	CRU
Hebrew (models)	63Y8810	1
Portuguese (models)	63Y8818	1
Russian English (models)	63Y8814	1
Hungarian (models)	63Y8816	1
Czech (models)	63Y8808	1
Turkish (models)	63Y8815	1
Greek (models)	63Y8817	1
Slovenian (models)	63Y8819	1
Korea (models)	63Y8823	1
US English (models D2A D3A D5A D6U D7U)	64Y5615	1
French (models D6F D7F)	64Y5616	1
German (models)	64Y5617	1
Italian (models)	64Y5647	1
Brazilian Portuguese (models)	64Y5646	1
Spanish (models)	64Y5645	1
Danish (models)	64Y5736	1
Arabic (models)	64Y5739	1
Swedish (models)	64Y5735	1
Finnish (models)	64Y5737	1
Norwegian (models)	64Y5734	1
Polish (models)	64Y5738	1
Russian (models)	64Y5740	1
Japanese (models)	64Y6078	1
Simplified Chinese (models)	64Y5741	1
Traditional Chinese (models)	64Y5742	1
Hong Kong (models)	64Y5743	1

7506 Vista Home Basic 32 Recovery DVDs	FRU#	CRU
English (models)	64Y2512	1
French (models)	64Y2514	1
German (models)	64Y2515	1
Spanish (models)	64Y2516	1
Brazilian Portuguese (models)	64Y2517	1
Italian (models)	64Y2518	1
Japanese (models)	64Y2525	1
Dutch (models)	64Y2532	1
Czech (models)	64Y2519	1
Polish (models)	64Y2520	1
Russian (models)	64Y2521	1
Turkish (models)	64Y2522	1
Hungarian (models)	64Y2523	1

7506 Vista Home Basic 32 Recovery DVDs	FRU#	CRU
Greek (models)	64Y2524	1
Portuguese (models)	64Y2535	1
Simplified Chinese (models)	64Y2526	1
Hongkong (models)	64Y2528	1
Traditional Chinese (models)	64Y2527	1
Korean (models)	64Y2529	1
Slovenian (models)	64Y2530	1
Russian English (models)	64Y2513	1
Hebrew (models)	64Y2533	1
Arabic enabled (models)	64Y2531	1
Slovakian (models)	64Y2537	1
Romanian (models)	64Y2534	1
Serbian-Latin (models)	64Y2536	1
Miami MUL DVD P/Ns Vista Home Basic 32 C&L1 Nordics (English DK Fi No SV) (models)	64Y2538	1
Miami MUL DVD P/Ns Vista Home Basic 32 C&L 2 Switzerland (English FR GR IT) (models)	64Y2539	1
Miami MUL DVD P/Ns Vista Home Basic 32 C&L3 Bel Lux (English FR GR NL) (models)	64Y2540	1

7506 Vista Business 32 Recovery DVDs	FRU#	CRU
English (models D1A D4A)	64Y2425	1
French (models A8G A3G A5G A6G A7G)	64Y2427	1
German (models A8G A3G A5G A6G A7G)	64Y2428	1
Spanish (models A8G A3G A5G A6G A7G)	64Y2429	1
Brazilian (models)	64Y2430	1
Italian (models A8G A3G A5G A6G A7G)	64Y2432	1
Japanese (models)	64Y2438	1
Dutch (models)	64Y2445	1
Czech (models)	64Y2432	1
Polish (models A8G A3G A5G A6G A7G)	64Y2433	1
Russian (models A8G A3G A5G A6G A7G)	64Y2434	1
Turkish (models A8G A3G A5G A6G A7G)	64Y2435	1
Hungarian (models A8G A3G A5G A6G A7G)	64Y2436	1
Greek (models A8G A3G A5G A6G A7G)	64Y2437	1
Portuguese (models A8G A3G A5G A6G A7G)	64Y2448	1
Simplified Chinese (models)	64Y2439	1
Trad Chinese (models B2V)	64Y2440	1
HongKong (models)	64Y2441	1
Korean (models B4K B6K A1K A2K)	64Y2442	1
Slovenian (models)	64Y2443	1
Russian English (models A8G A3G A5G A6G A7G)	64Y2426	1

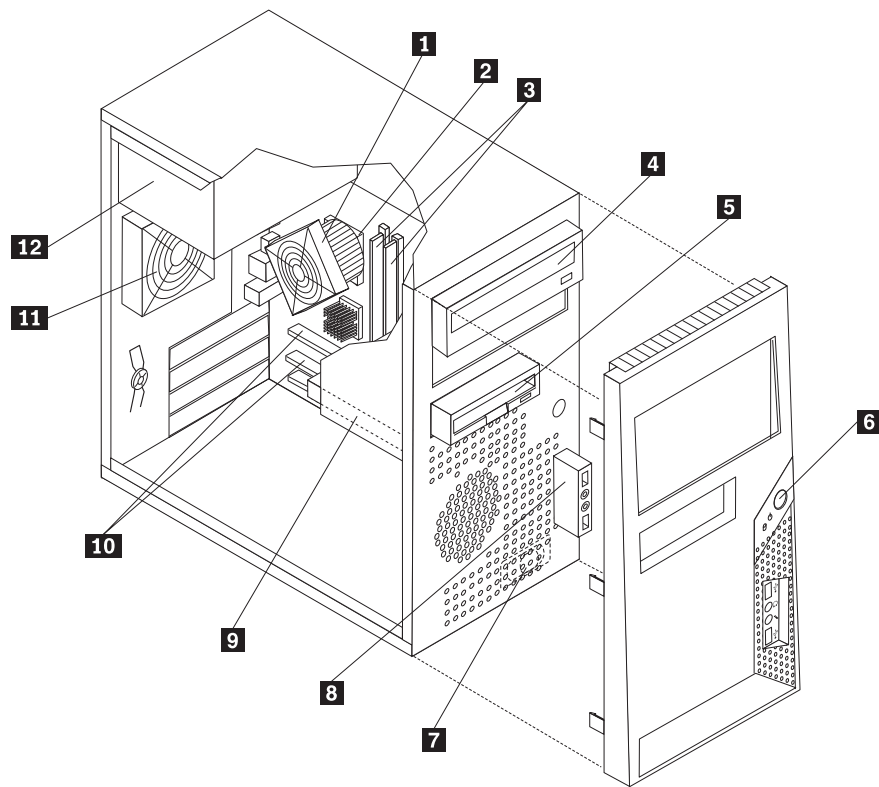
7506 Vista Business 32 Recovery DVDs	FRU#	CRU
Romanian (models A8G A3G A5G A6G A7G)	64Y2447	1
Serbian-Latin (models)	64Y2449	1
Slovakian (models A8G A3G A5G A6G A7G)	64Y2450	1
Arabic enabled (models)	64Y2444	1
Hebrew (models A8G A3G A5G A6G A7G)	64Y2446	1
Miami MUL DVD P/Ns VB32 C&L1 Nordics (English DK FI NO SV) (models A8G A3G A5G A6G A7G)	64Y2451	1
Miami MUL DVD P/Ns VB32 C&L 2 Switzerland (English FR GR IT) (models A8G A3G A5G A6G A7G)	64Y2452	1
Miami MUL DVD P/Ns VB32 C&L3 Bel Lux (English FR GR NL) (models A8G A3G A5G A6G A7G)	64Y2453	1

7506 Vista VHP 32 Recovery DVDs	FRU#	CRU
English (models)	64Y2541	1
French (models)	64Y2542	1
German (models)	64Y2543	1
Spanish (models)	64Y2544	1
Italian (models)	64Y2546	1
Japanese (models)	64Y2547	1
Hong Kong (models)	64Y2548	1
Korean (models)	64Y2545	1
Miami MUL DVD P/Ns VHP32 C&L1 Nordics (English DK FI NO SV) (models)	64Y2549	1
Miami MUL DVD P/Ns VHP32 C&L 2 Switzerland (English FR GR IT) (models)	64Y2550	1
Miami MUL DVD P/Ns VHP32 C&L3 Bel Lux (English FR GR NL) (models)	64Y2551	1

7506 Vista Business 64 Recovery CDs	FRU#	CRU
English (models)	64Y2561	1
French (models)	64Y2562	1
German (models)	64Y2563	1
Japanese (models)	64Y2564	1
Simplified Chinese (models)	64Y2565	1

7506 Vista Ultimate 32 Recovery CDs	FRU#	CRU
English (models)	64Y2552	1
Japanese (models)	64Y2557	1
French (models)	64Y2553	1
German (models)	64Y2554	1
Spanish (models)	64Y2555	1
Italian (models)	64Y2556	1
HongKong (models)	64Y2558	1
Arabic Localized (models)	64Y2559	1
MUL DVD P/Ns VU32 C&L1 Nordics (EN DK FI NO SV) (models)	64Y2560	1

Machine Type 7508



Item #	7508 FRUs	FRU#	CRU
1	Heat Sink, Intel 95W/65W Heatsink (all models)	43N9409	2
2	Microprocessor, E6550 2.33GHZ/1333MHZ/4M G-0 65W (models)	43C3833	N
2	Microprocessor, E8600 3.33GHZ/1333MHZ/6M E0 65W (models)	46R8640	N
2	Microprocessor, E8500 3.16GHz 1333MHz FSB 6M C-0 65W (models)	45C7735	N
2	Microprocessor, E8400 3.0GHz 1333MHz FSB 6M C-0 65W (models A2U A2F A2S A2P A2L A2D A2Y A2G A2M A2A A2Q A2T A2C A2B A2H A2V A2K A2R A2E A2J)	45C7736	N
2	Microprocessor, E8300 2.83GHz 1333MHz FSB 6M C-0 65W (models)	45C7737	N
2	Microprocessor, E8200 2.66GHz 1333MHz FSB 6M C-0 65W (models)	45C7738	N
2	Microprocessor, E8190 2.66GHz 1333MHz FSB 6M C-0 - NON VT/Vpro 65W (models)	45R2568	N
2	Microprocessor, E7200 2.53GHz 1066MHz FSB 3M M-0 65W (models)	45R8337	N
2	Microprocessor, E7300 2.66GHz 1066MHz FSB 3M M-0 65W (models)	46R1622	N
2	Microprocessor, E7400 2.8GHZ 1066M 3M R0 (ViiV,EIST,EM64T,EDB) 65W (models)	53Y6653	N
2	Microprocessor, E7500 2.93GHZ 1066M 3M R0 (ViiV,EIST,EM64T,EDB) 65W (models)	53Y6654	N
2	Microprocessor, E2160 Conroe-L 1.8GHz 800MHz FSB 1M (models)	43C1968	N
2	Microprocessor, E2180 Conroe-L 2.0GHz 800MHz FSB 1M (models)	45C1773	N
2	Microprocessor, E2200 Conroe-L 2.2GHz 800MHz FSB 1M (models)	45C5349	N
2	Microprocessor, E2220 Conroe-L 2.4GHz 800MHz FSB 1M (models)	45C1774	N

Item #	7508 FRUs	FRU#	CRU
2	Microprocessor, E5200 800MHz 2M M-0 65W, 45nm (models)	46R9512	N
2	Microprocessor, E5300 2.6GHz 800MHz 2MB R0 (EIST,EM64T,EDB) 65W (models)	53Y9049	N
2	Microprocessor, E1600 2.4GHZ/800MHZ/512K - NPI M-0 65W (models)	46R1655	N
2	Microprocessor, E1400 2.0GHz 800MHz FSB 512K - NPI M-0 65W (models)	45R8339	N
2	Microprocessor, E1200 1.6GHZ/800MHZ/512K M-0 65W (models)	45R8341	N
2	Microprocessor, E1500 2.2GHz 800MHz 512KB (EIST,EM64T,EDB) M0 65W (models)	53Y9051	N
2	Microprocessor, Cel-420 Conroe-L 1.6GHz 800MHz FSB 512K (models)	43C3835	N
2	Microprocessor, Cel-430 Conroe-L 1.8GHz 800MHz FSB 512K (models)	43C1964	N
2	Microprocessor, Cel-440 Conroe-L 2.0GHz 800MHz FSB 512K (models)	43C1965	N
2	Microprocessor, Cel-450 2.2GHz 800MHz FSB 512K 35W (models)	46R9514	N
2	Microprocessor, Q9650 3.0GHZ 1333FSB 12MB VT, TXT E-0 95W (models)	46R8642	N
2	Microprocessor, Q9400 2.66GHZ 1333FSB 6MB VT, TXT R-0 95W (models)	46R8644	N
2	Microprocessor, Q8200 2.33GHZ 1333FSB 4M M-1 95W (models)	46R9516	N
2	Microprocessor, Q8300 Yorkfield 2.5GHZ,1333MHz,4M R-0 (ViiV,EIST,EM64T,EDB) (models)	53Y6656	N
2	Microprocessor, Q6600 2.4GHZ 1066FSB 8M G-0 Stepping Level, 95W (models)	43C1695	N
2	Microprocessor, Q6700 2.66GHZ 1066FSB 8M G-0 Stepping Level, 95W (models)	43C6309	N
2	Microprocessor, Q9550 2.83GHZ 1333FSB 12M C-1 95W (models)	45C7739	N
2	Microprocessor, Q9450 Yorkfield 2.66GHZ 1333FSB 12M C-1 95W (models)	45C7740	N
2	Microprocessor, Q9300 Yorkfield 2.50GHZ 1333FSB 6M M-1 95W (models)	45C7741	N
3	Memory module, 512MB PC2-5300 (667MHz) DDR2 SDRAM (models)	41X4255	1
3	Memory module, 1GB PC2-5300 (667MHz) DDR2 SDRAM (models)	41X4256	1
3	Memory module, 2GB PC2-5300 (667MHz) DDR2 SDRAM (models)	41X4257	1
3	Memory module, 512MB PC2-6400 (800MHz) DDR2 SDRAM (models)	41X1079	1
3	Memory module, 1GB PC2-6400 (667MHz) DDR2 SDRAM (models)	41X1080	1
3	Memory module, 2GB PC2-6400 (667MHz) DDR2 SDRAM (models A2U A2F A2S A2P A2L A2D A2Y A2G A2M A2A A2Q A2T A2C A2B A2H A2V A2K A2R A2E A2J)	41X1081	1
4	Optical drive, DVD-ROM Drive - 16x/48x - SATA Vista & non-Vista (models)	41N3325	1
4	Optical drive, Blu-ray Recorder / DVD Super Multi (models)	53Y7643	1
4	Optical drive, DVD Recordable/CD-RW Rambo 8 - SATA Vista & non-Vista (models A2U A2F A2S A2P A2L A2D A2Y A2G A2M A2A A2Q A2T A2C A2B A2H A2V A2K A2R A2E A2J)	43C1042	1
5	Floppy Diskette Driver - 3.5" 1.44MB 2 Mode FDD with Bezel and cable Tower (models)	40Y9107	1
5	Floppy Diskette Driver - 3.5" 1.44MB 2 Mode FDD with Bezel and cable Tower (models)	40Y9105	1
6	Power switch / LED assembly (all models)	43N9074	1
7	Speaker, Internal speaker 400mm --optional (all models)	43N9091	1
8	Front audio / USB assembly (all models)	43N9076	1
9	Hard disk drive, SATA 80GB 7200RPM/3Gb/8MB (models A2U A2F A2S A2P A2L A2D A2Y A2G A2M A2A A2Q A2T A2C A2B A2H A2V A2K A2R A2E A2J)	40Y9035	1

Item #	7508 FRUs	FRU#	CRU
9	Hard disk drive, SATA 250GB 7200RPM/3Gb/8MB (models)	40Y9036	1
9	Hard disk drive, SATA 320GB 7200rpm SATA/8MB (models)	87H4891	1
9	Hard disk drive, SATA 500GB 7200RPM/3Gb/s/8MB (models)	41X5582	1
9	Hard disk drive, 1TB 7200rpm SATA (models)	45C5973	1
9	Hard disk drive, 150G 10K rpm,SATA (models)	46R8893	1
10	System board, Intel G41 MATX(GA) Tower non-AMT (models A2U A2F A2S A2P A2L A2D A2Y A2G A2M A2A A2Q A2T A2C A2B A2H A2V A2K A2R A2E A2J)	46R8891	N
10	System board, Intel G41 MATX(GA) -NB upgrade (models A2U A2F A2S A2P A2L A2D A2Y A2G A2M A2A A2Q A2T A2C A2B A2H A2V A2K A2R A2E A2J)	64Y9197	N
11	Rear system fan (all models)	41R6269	2
12	Power supply, 280W Active PFC power supply(Auto sensing) for 10L---Robust,WW,JP (models A2U A2F A2S A2P A2L A2D A2Y A2G A2M A2A A2Q A2T A2C A2B A2H A2V A2K A2R A2E A2J)	41A9721	2
12	Power supply, 280W 85+ power supply for 10L---Robust,WW,JP (models A2U A2F A2S A2P A2L A2D A2Y A2G A2M A2A A2Q A2T A2C A2B A2H A2V A2K A2R)	41A9684	2
12	Power supply, ATX 280W 80% power supply;Robust,WW,JP (models A2U A2F A2S A2P A2L A2D A2Y A2G A2M A2A A2Q A2T A2C A2B A2H A2V A2K A2R A2E A2J)	41A9665	2
12	Power supply, ATX 320W 88% Power supply; WW, Robust,JP (models A2U A2F A2S A2P A2L A2D A2Y A2G A2M A2A A2Q A2T A2C A2B A2H A2V A2K A2R A2E A2J)	45J9410	2
12	Power supply, 280W Watt ATX Power supply (85plus)-WW, Robust,JP (models A2U A2F A2S A2P A2L A2D A2Y A2G A2M A2A A2Q A2T A2C A2B A2H A2V A2K A2R A2E A2J)	45J9431	2

The FRUs listed in the following tables are not illustrated.

7508 FRUs	FRU#	CRU
Shield, 5.25 EMC FOR 1st ODD Bay (all models)	41N8080	1
Cable -SATA 457mm (RoHS) for ODD (all models)	43N9013	2
Intrusion Switch Asm Tamdhu 475mm --Optional (all models)	39K5022	2
2st HDD SATA cable, 120mm, 1 latching for Device, RoHS (all models)	41R3328	2
Cable-SATA 250mm (RoHS) for 1st HDD (all models)	43N9012	2
Secondl HDD Bracket Asm for TamdhuIII (all models)	41R6106	1
Temp Sense Cable (6pin 460 mm) (all models)	45J9495	2
Front FAN 2X500G HDD or 500GB+1TB Only (all models)	41R4791	2
FDD Cable-TamdhuIII (all models)	41A7182	2
FDD Cable, 310mm (all modles)	41A7147	2
Card Reader Retainer-TamdhuII (all models)	41R2913	1
No OptiCal Bezel Kit - Tamdhu II (all models)	41N8077	1
Cover (all models)	41N8050	1
I/O Shield - Ace (all models)	41N8053	2
Intrusion Switch asm (all models)	41R6116	2
4 Pin System Fan For Tamdhu2, Apollo (all models)	41R6269	2
HDD TRAY, TAMDHU (all models)	41R6291	1

7508 FRUs	FRU#	CRU
Asm Chassis Without IBM Mark, Recycle (all models)	43N9415	N
ODD/FDD/Cardreader Retainers, Tamdhu (all models)	43N9351	2
Blank 5.25" Bezel, Recycle (all models)	43N9413	2
ASM BEZEL, WITHOUT IBM MARK, Recycle (all models)	43N9412	1
Cable Clip, FW-6D (all models)	43N9462	2
BATTERY 3V-LITHIUM (models A2U A2F A2S A2P A2L A2D A2Y A2G A2M A2A A2Q A2T A2C A2B A2H A2V A2K A2R A2E A2J)	45C1566	1
3.5" Convert 2.5" for 150GB 10K rpm HDD (1st HDD bay) (all models)	43N9593	2

7508 Keyboard (Lenovo Preferred Pro USB -- without hub)	FRU#	CRU Tier
US English (models A2U A2L A2G A2M A2A A2Q A2H A2R A2E)	41A5289	1
Arabic (models A2G)	41A5290	1
Arabic/French (models A2G)	41A5291	1
Belgian/French (models A2G)	41A5292	1
Belgian/English (models A2G)	41A5293	1
Brazilian Portuguese (models A2G)	41A5294	1
Bulgarian (models A2G)	41A5295	1
Chinese/US (models A2B A2V)	41A5296	1
Czech (models A2G)	41A5297	1
Danish (models A2G)	41A5298	1
Dutch (models A2G)	41A5299	1
French (models A2G)	41A5300	1
French Canadian (models A2F A2G)	41A5301	1
French Canadian (models A2F A2G)	41A5302	1
German (models A2G)	41A5303	1
Greek (models A2G)	41A5304	1
Greek/US (models A2G)	41A5305	1
Hebrew (models A2G)	41A5306	1
Hungarian (models A2G)	41A5307	1
Iceland (models A2G)	41A5308	1
Italian (models A2G)	41A5309	1
Japanese (models A2J)	41A5310	1
Korean (models A2K)	41A5311	1
LA Spanish (models A2S A2D A2Y)	41A5312	1
Norwegian (models A2G)	41A5313	1
Polish (models A2G)	41A5314	1
Portuguese (models A2G)	41A5315	1
Romanian (models A2G)	41A5316	1
Romanian (models A2G)	41A5317	1
Russian/Cyrillic (models A2G)	41A5318	1
Serbian/Cyrillic (models A2G)	41A5319	1

7508 Keyboard (Lenovo Preferred Pro USB -- without hub)	FRU#	CRU Tier
Slovak (models A2G)	41A5320	1
Spanish (models A2G)	41A5321	1
Swedish/Finnish (models A2G)	41A5322	1
Swiss (models A2G)	41A5323	1
Thailand (models A2T)	41A5324	1
Turkish (models A2G)	41A5325	1
Turkish (models A2G)	41A5326	1
UK English (models A2G)	41A5327	1
US Euro (models A2G)	41A5328	1
Slovenian (models A2G)	41A5329	1
Arabic(New) (models A2G)	45J4880	1
Lithuanian (models A2G)	45J4896	1

7508 Keyboard (Lenovo Fingerprint Reader USB)	FRU#	CRU Tier
US English (models)	41R0038	1
Arabic (models)	41R0039	1
Arabic/French (models)	41R0040	1
Belgian/French (models)	41R0041	1
Belgian/English (models)	41R0042	1
Brazilian Portuguese (models)	41R0043	1
Bulgarian (models)	41R0044	1
Chinese/US (models)	41R0045	1
Czech (models)	41R0046	1
Danish (models)	41R0047	1
Dutch (models)	41R0048	1
French (models)	41R0049	1
French Canadian (models)	41R0050	1
French Canadian (models)	41R0051	1
German (models)	41R0052	1
Greek (models)	41R0053	1
Greek/US (models)	41R0054	1
Hebrew (models)	41R0055	1
Hungarian (models)	41R0056	1
Iceland (models)	41R0057	1
Italian (models)	41R0058	1
Japanese (models)	41R0059	1
Korean (models)	41R0060	1
LA Spanish (models)	41R0061	1
Norwegian (models)	41R0062	1
Polish (models)	41R0063	1
Portuguese (models)	41R0064	1

7508 Keyboard (Lenovo Fingerprint Reader USB)	FRU#	CRU Tier
Romanian (models)	41R0065	1
Romanian (models)	41R0066	1
Russian/Cyrillic (models)	41R0067	1
Serbian/Cyrillic (models)	41R0068	1
Slovak (models)	41R0069	1
Spanish (models)	41R0070	1
Swedish/Finnish (models)	41R0071	1
Swiss (models)	41R0072	1
Thailand (models)	41R0073	1
Turkish (models)	41R0074	1
Turkish (models)	41R0075	1
UK English (models)	41R0076	1
US Euro (models)	41R0077	1
Slovenian (models)	41R0078	1

7508 Keyboard (Lenovo Preferred Pro PS/2 Full Size)	FRU#	CRU Tier
US English (models)	41A5039	1
Arabic (models)	41A5040	1
Arabic/French (models)	41A5041	1
Belgian/French (models)	41A5042	1
Belgian/English (models)	41A5043	1
Brazilian Portuguese (models)	41A5044	1
Bulgarian (models)	41A5045	1
Chinese/US (models)	41A5046	1
Czech (models)	41A5047	1
Danish (models)	41A5048	1
Dutch (models)	41A5049	1
French (models)	41A5050	1
French Canadian (models)	41A5051	1
French Canadian (models)	41A5052	1
German (models)	41A5053	1
Greek (models)	41A5054	1
Greek/US (models)	41A5080	1
Hebrew (models)	41A5055	1
Hungarian (models)	41A5056	1
Iceland (models)	41A5057	1
Italian (models)	41A5058	1
Japanese (models)	41A5059	1
Korean (models)	41A5060	1
LA Spanish (models)	41A5061	1
Norwegian (models)	41A5062	1

7508 Keyboard (Lenovo Preferred Pro PS/2 Full Size)	FRU#	CRU Tier
Polish (models)	41A5063	1
Portuguese (models)	41A5064	1
Romanian (models)	41A5065	1
Russian/Cyrillic (models)	41A5066	1
Serbian/Cyrillic (models)	41A5067	1
Slovak (models)	41R0068	1
Spanish (models)	41R0069	1
Swedish/Finnish (models)	41A5070	1
Swiss (models)	41A5071	1
Thailand (models)	41A5072	1
Turkish (models)	41A5073	1
Turkish (models)	41A5074	1
UK English (models)	41A5075	1
US Euro (models)	41A5076	1
Slovenian (models)	41A5077	1

7508 mice	FRU#	CRU
Optical Wheel Mouse (400DPI, USB) (models A2U A2F A2S A2P A2L A2D A2Y A2G A2M A2A A2Q A2T A2C A2B A2H A2V A2K A2R A2E A2J)	41U3013	1
Optical Wheel Mouse (400DPI, USB) (models A2U A2F A2S A2P A2L A2D A2Y A2G A2M A2A A2Q A2T A2C A2B A2H A2V A2K A2R A2E A2J)	41U3030	1
PS/2 2 Button Ball Mouse (models)	41R0018	1

7508 Adapters and miscellaneous FRUs	FRU#	CRU
Internal 20 in 1 USB Memory Card Reader(Tower) (models)	45R8139	1
IEEE 1394 Firewire Adapter SFF (ROCKYS) (models)	41D2781	1
Dash Marvell Ethernet card ATX Tower (models)	53Y4008	1
Soft Modem V.90/V.44 SFF (ROCKYS) (models)	29R9729	1
Speaker Power brick - US, Canada, LA low voltage, ASEAN (models A2U)	89P8571	1
Speaker Power brick - LA high voltage (non-APU) (models)	89P8575	1
Speaker Power brick - SIMPLIFIED -CHN, Thailand EMEA (models A2G A2C)	89P8581	1
Speaker Power brick - JAPANESE (models A2J)	89P8577	1
Speaker Power brick - Brazil (models)	89P8583	1
Speaker Power brick - Argentina (models)	41A4901	1
Speaker Power brick - ANZ (models A2M)	89P8579	1
Speaker Power brick - KOREA (models)	41A4903	1
Speaker Power brick - HONG KONG, EMEA,IRELAND (models A2G)	89P8573	1
Speaker Power brick -TAIWAN-TC (models A2V)	41A4905	1
Speaker Power brick - INDIA, South Africa (models A2Q)	89P8585	1
2-pc external speaker--primary (models)	41A5331	1
2-pc external speaker-secondary (models)	41A5334	1

7508 Adapters and miscellaneous FRUs	FRU#	CRU
DVI-I(M)-VGA(F) cord (models)	41R3342	1
Geforce9500GT GDDR3 512MB - towerDVI+HDMI+DP (Tower) (models)	46R1524	1
ATI HD3470 GDDR3 256MB - VGA+DP (models)	46R1521	1
ADD2 DVI-D Adapter, (HDCP) DVD-D connection Adapter Low Profile (Silicon Image) (models)	43C0258	1
DisplayPort to DVI-D Dongle (models)	43N9160	1
DisplayPort to VGA Dongle (models)	45J9524	1
Modem phone cable (models)	39K5120	1
LI300mm Rear USB 2Ports II HP® (Tower) (models)	42Y8005	2
LI350mm Rear Com2 cable II mini® (Tower) (models)	41R8548	2
Nvidia G100 DDR2 256MB ATX - DVI-I+VGA (models)	53Y9249	1

7508 Line Cords	FRU#	CRU
Line cord - US (models A2U A2F A2S A2L A2Y A2A A2T)	41R3184	1
Line cord - US (models A2U A2F A2S A2L A2Y A2A A2T)	41R3185	1
Line cord - China (models A2C)	41R3256	1
Line cord - China (models A2C)	41R3257	1
Line cord - Japanese and Japanese English (models A1J A2E A2J)	41R3248	1
Line cord - Japanese and Japanese English (models A1J A2E A2J)	41R3249	1
Line cord - Brazil (models)	41R3270	1
Line cord - Brazil (models)	41R3271	1
Line cord - LA High Volt APU (models)	41R3176	1
Line Cord - LA High Volt APU (models)	41R3177	1
Line cord - ANZ (models)	41R3196	1
Line cord - ANZ (models)	41R3197	1
Line Cord - Korea (models)	41R3260	1
Line Cord - Korea (models)	41R3261	1
Line Cord - UK, Ireland, Singapore, Malaysia, Brunei (models A2B A2H)	41R3224	1
Line Cord - UK, Ireland, Singapore, Malaysia, Brunei (models A2B A2H)	41R3225	1
Line Cord - Taiwan (models A3V A2V)	41R3278	1
Line Cord - Taiwan (models A3V A2V)	41R3279	1
Line Cord - Italy (models)	41R3232	1
Line Cord - Italy (models)	41R3233	1
Line Cord - Indonesia, Laos, Cambodia, and Vietnam (models A2U A2F A2S A2L A2Y A2A A2T)	41R3208	1
Line Cord - Indonesia, Laos, Cambodia, and Vietnam (models A2U A2F A2S A2L A2Y A2A A2T)	41R3209	1
Line Cord - Denmark (models A2G)	41R3212	1
Line Cord - Denmark (models A2G)	41R3213	1
Line Cord - Switzerland (models A2G)	41R3228	1
Line Cord - Switzerland (models A2G)	41R3229	1
Line Cord - Israel (models A2G)	41R3236	1

7508 Line Cords	FRU#	CRU
Line Cord - Israel (models A2G)	41R3237	1
Line Cord - South Africa (models A2G A2M A2A)	41R3220	1
Line Cord - South Africa (models A2G A2M A2A)	41R3221	1
Line Cord - India (models A2Q)	41R3341	1
Line Cord - India (models A2Q)	41R3175	1
Line Cord - Thailand (models A2T)	43N9029	1
Line Cord - Thailand (models A2T)	43N9030	1
Line Cord - Y cable for Brazil (models)	43N9044	1

7508 Windows XP Pro Recovery CDs	FRU#	CRU
Dutch (models)	63Y8807	1
Hebrew (models)	63Y8810	1
Portuguese (models)	63Y8818	1
Russian English (models)	63Y8814	1
Hungarian (models)	63Y8816	1
Czech (models)	63Y8808	1
Turkish (models)	63Y8815	1
Greek (models)	63Y8817	1
Slovenian (models)	63Y8819	1
Korea (models)	63Y8823	1
US English (models)	64Y5615	1
French (models)	64Y5616	1
German (models)	64Y5617	1
Italian (models)	64Y5647	1
Brazilian Portuguese (models)	64Y5646	1
Spanish (models)	64Y5645	1
Danish (models)	64Y5736	1
Arabic (models)	64Y5739	1
Swedish (models)	64Y5735	1
Finnish (models)	64Y5737	1
Norwegian (models)	64Y5734	1
Polish (models)	64Y5738	1
Russian (models)	64Y5740	1
Japanese (models)	64Y6078	1
Simplified Chinese (models)	64Y5741	1
Traditional Chinese (models)	64Y5742	1
Hong Kong (models)	64Y5743	1

7508 Vista Home Basic 32 Recovery DVDs	FRU#	CRU
English (models A2U A2L A2G A2M A2A A2Q A2H A2R A2E)	64Y2512	1
French (models A2F A2G)	64Y2514	1

7508 Vista Home Basic 32 Recovery DVDs	FRU#	CRU
German (models A2G)	64Y2515	1
Spanish (models A2G)	64Y2516	1
Brazilian Portuguese (models)	64Y2517	1
Italian (models A2G)	64Y2518	1
Japanese (models A1J A2J)	64Y2525	1
Dutch (models A2G)	64Y2532	1
Czech (models)	64Y2519	1
Polish (models A2G)	64Y2520	1
Russian (models A2G)	64Y2521	1
Turkish (models A2G)	64Y2522	1
Hungarian (models A2G)	64Y2523	1
Greek (models A2G)	64Y2524	1
Portuguese (models)	64Y2535	1
Simplified Chinese (models A2C)	64Y2526	1
Hong Kong (models A2B)	64Y2528	1
Traditional Chinese (models A3V A2V)	64Y2527	1
Korean (models A2K)	64Y2529	1
Slovenian (models A2G)	64Y2530	1
Russian English (models A2G)	64Y2513	1
Hebrew (models A2G)	64Y2533	1
Arabic enabled (models A2G)	64Y2531	1
Slovakian (models A2G)	64Y2537	1
Romanian (models A2G)	64Y2534	1
Serbian-Latin (models A2G)	64Y2536	1
Miami MUL DVD P/Ns Vista Home Basic 32 C&L 1 Nordics (English DK Fi No SV) (models A2G)	64Y2538	1
Miami MUL DVD P/Ns Vista Home Basic 32 C&L 2 Switzerland (English FR GR IT) (models A2G)	64Y2539	1
Miami MUL DVD P/Ns Vista Home Basic 32 C&L 3 Bel Lux (English FR GR NL) (models A2G)	64Y2540	1

7508 Vista Business 32 Recovery DVDs	FRU#	CRU
English (models)	64Y2425	1
French (models)	64Y2427	1
German (models)	64Y2428	1
Spanish (models)	64Y2429	1
Brazilian (models)	64Y2430	1
Italian (models)	64Y2432	1
Japanese (models)	64Y2438	1
Dutch (models)	64Y2445	1
Czech (models)	64Y2432	1
Polish (models)	64Y2433	1

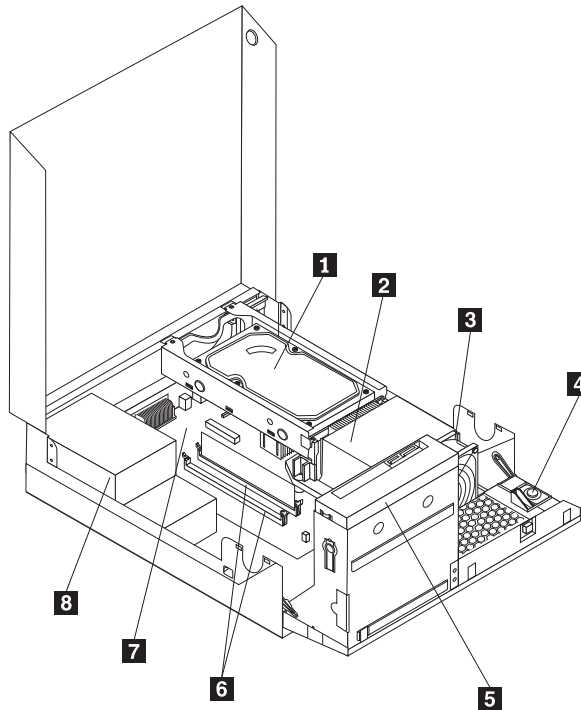
7508 Vista Business 32 Recovery DVDs	FRU#	CRU
Russian (models)	64Y2434	1
Turkish (models)	64Y2435	1
Hungarian (models)	64Y2436	1
Greek (models)	64Y2437	1
Portuguese (models)	64Y2448	1
Simplified Chinese (models)	64Y2439	1
Traditional Chinese (models)	64Y2440	1
Hong Kong (models)	64Y2441	1
Korean (models)	64Y2442	1
Slovenian (models)	64Y2443	1
Russian English (models)	64Y2426	1
Romanian (models)	64Y2447	1
Sebian-Latin (models)	64Y2449	1
Slovakian (models)	64Y2450	1
Arabic enabled (models)	64Y2444	1
Hebrew (models)	64Y2446	1
Miami MUL DVD P/Ns VB32 C&L1 Nordics (English DK FI NO SV) (models)	64Y2451	1
Miami MUL DVD P/Ns VB32 C&L 2 Switzerland (English FR GR IT) (models)	64Y2452	1
Miami MUL DVD P/Ns VB32 C&L3 Bel Lux (English FR GR NL) (models)	64Y2453	1

7508 Vista VHP 32 Recovery DVDs	FRU#	CRU
English (models)	64Y2541	1
French (models)	64Y2542	1
German (models)	64Y2543	1
Spanish (models)	64Y2544	1
Italian (models)	64Y2546	1
Japanese (models)	64Y2547	1
Hong Kong (models)	64Y2548	1
Korean (models)	64Y2545	1
Miami MUL DVD P/Ns VHP32 C&L1 Nordics (English DK FI NO SV) (models)	64Y2549	1
Miami MUL DVD P/Ns VHP32 C&L 2 Switzerland (English FR GR IT) (models)	64Y2550	1
Miami MUL DVD P/Ns VHP32 C&L3 Bel Lux (English FR GR NL) (models)	64Y2551	1

7508 Vista Business 64 Recovery CDs	FRU#	CRU
English (models)	64Y2561	1
French (models)	64Y2562	1
German (models)	64Y2563	1
Japanese (models)	64Y2564	1
Simplified Chinese (models)	64Y2565	1

7508 Vista Ultimate 32 Recovery CDs	FRU#	CRU
English (models)	64Y2552	1
Japanese (models)	64Y2557	1
French (models)	64Y2553	1
German (models)	64Y2554	1
Spanish (models)	64Y2555	1
Italian (models)	64Y2556	1
HongKong (models)	64Y2558	1
Arabic Localized (models)	64Y2559	1
MUL DVD P/Ns VU32 C&L1 Nordics (EN DK FI NO SV) (models)	64Y2560	1

Machine Type 7514



Item #	7514 FRUs	FRU#	CRU
1	Hard disk drive, SATA 80GB 7200RPM/3Gb/8MB (models A2U A2F A2S A2P A2L A2D A2Y A2G A2M A2A A2Q A2T A2C A2B A2H A2V A2K A2R A2E A2J)	40Y9035	1
1	Hard disk drive, SATA 250GB 7200RPM/3Gb/8MB (models)	40Y9036	1
1	Hard disk drive, SATA 320GB 7200rpm SATA/8MB (models)	87H4891	1
1	Hard disk drive, SATA 500GB 7200RPM/3Gb/s/8MB (models)	41X5582	1
1	Hard disk drive, 1TB 7200rpm SATA (models)	45C5973	1
1	Hard disk drive, 150G 10K rpm,SATA (models)	46R8893	1
2	Microprocessor, E6550 2.33GHZ/1333MHZ/4M G-0 65W (models)	43C3833	N
2	Microprocessor, E8600 3.33GHZ/1333MHZ/6M E0 65W (models)	46R8640	N
2	Microprocessor, E8500 3.16GHz 1333MHz FSB 6M C-0 65W (models)	45C7735	N
2	Microprocessor, E8400 3.0GHz 1333MHz FSB 6M C-0 65W (models A2U A2F A2S A2P A2L A2D A2Y A2G A2M A2A A2Q A2T A2C A2B A2H A2V A2K A2R A2E A2J)	45C7736	N
2	Microprocessor, E8300 2.83GHz 1333MHz FSB 6M C-0 65W (models)	45C7737	N
2	Microprocessor, E8200 2.66GHz 1333MHz FSB 6M C-0 65W (models)	45C7738	N
2	Microprocessor, E8190 2.66GHz 1333MHz FSB 6M C-0 - NON VT/Vpro 65W (models)	45R2568	N
2	Microprocessor, E7200 2.53GHz 1066MHz FSB 3M M-0 65W (models)	45R8337	N
2	Microprocessor, E7300 2.66GHz 1066MHz FSB 3M M-0 65W (models)	46R1622	N
2	Microprocessor, E7400 2.8GHZ 1066M 3M R0 (ViiV,EIST,EM64T,EDB) 65W (models)	53Y6653	N
2	Microprocessor, E7500 2.93GHZ 1066M 3M R0 (ViiV,EIST,EM64T,EDB) 65W (models)	53Y6654	N

Item #	7514 FRUs	FRU#	CRU
2	Microprocessor, E2160 Conroe-L 1.8GHz 800MHz FSB 1M (models)	43C1968	N
2	Microprocessor, E2180 Conroe-L 2.0GHz 800MHz FSB 1M (models)	45C1773	N
2	Microprocessor, E2200 Conroe-L 2.2GHz 800MHz FSB 1M (models)	45C5349	N
2	Microprocessor, E2220 Conroe-L 2.4GHz 800MHz FSB 1M (models)	45C1774	N
2	Microprocessor, E5200 800MHz 2M M-0 65W, 45nm (models)	46R9512	N
2	Microprocessor, E5300 2.6GHz 800MHz 2MB R0 (EIST,EM64T,EDB) 65W (models)	53Y9049	N
2	Microprocessor, E1600 2.4GHZ/800MHZ/512K - NPI M-0 65W (models)	46R1655	N
2	Microprocessor, E1400 2.0GHz 800MHz FSB 512K - NPI M-0 65W (models)	45R8339	N
2	Microprocessor, E1200 1.6GHZ/800MHZ/512K M-0 65W (models)	45R8341	N
2	Microprocessor, E1500 2.2GHz 800MHz 512KB (EIST,EM64T,EDB) M0 65W (models)	53Y9051	N
2	Microprocessor, Cel-420 Conroe-L 1.6GHz 800MHz FSB 512K (models)	43C3835	N
2	Microprocessor, Cel-430 Conroe-L 1.8GHz 800MHz FSB 512K (models)	43C1964	N
2	Microprocessor, Cel-440 Conroe-L 2.0GHz 800MHz FSB 512K (models)	43C1965	N
2	Microprocessor, Cel-450 2.2GHz 800MHz FSB 512K 35W (models)	46R9514	N
2	Microprocessor, Q9650 3.0GHZ 1333FSB 12MB VT, TXT E-0 95W (models)	46R8642	N
2	Microprocessor, Q9400 2.66GHZ 1333FSB 6MB VT, TXT R-0 95W (models)	46R8644	N
2	Microprocessor, Q8200 2.33GHz 1333FSB 4M M-1 95W (models)	46R9516	N
2	Microprocessor, Q8300 Yorkfield 2.5GHZ,1333MHz,4M R-0 (ViiV,EIST,EM64T,EDB) (models)	53Y6656	N
2	Microprocessor, Q6600 2.4GHZ 1066FSB 8M G-0 Stepping Level, 95W (models)	43C1695	N
2	Microprocessor, Q6700 2.66GHZ 1066FSB 8M G-0 Stepping Level, 95W (models)	43C6309	N
2	Microprocessor, Q9550 2.83GHZ 1333FSB 12M C-1 95W (models)	45C7739	N
2	Microprocessor, Q9450 Yorkfield 2.66GHZ 1333FSB 12M C-1 95W (models)	45C7740	N
2	Microprocessor, Q9300 Yorkfield 2.50GHZ 1333FSB 6M M-1 95W (models)	45C7741	N
3	Heat Sink, 95W heatsink Kit for 607BT, with RM (all models)	41R6454	2
3	Heat Sink, 65W heatsink Kit for 607BT, with RM (all models)	43N9349	2
4	Speaker, internal speaker 254mm -optional (models)	39K5012	2
5	DVD-ROM Drive - 16x/48x - SATA Vista & non-Vista (models)	41N3325	1
5	DVD Recordable/CD-RW Rambo 8 - SATA Vista & non-Vista (models A2U A2F A2S A2P A2L A2D A2Y A2G A2M A2A A2Q A2T A2C A2B A2H A2V A2K A2R A2E A2J)	43C1042	1
6	Memory module, 512MB PC2-5300 (667MHz) DDR2 SDRAM (models)	41X4255	1
6	Memory module, 1GB PC2-5300 (667MHz) DDR2 SDRAM (models)	41X4256	1
6	Memory module, 2GB PC2-5300 (667MHz) DDR2 SDRAM (models)	41X4257	1
6	Memory module, 512MB PC2-6400 (800MHz) DDR2 SDRAM (models)	41X1079	1
6	Memory module, 1GB PC2-6400 (667MHz) DDR2 SDRAM (models)	41X1080	1
6	Memory module, 2GB PC2-6400 (667MHz) DDR2 SDRAM (models A2U A2F A2S A2P A2L A2D A2Y A2G A2M A2A A2Q A2T A2C A2B A2H A2V A2K A2R A2E A2J)	41X1081	1
7	System board, Intel G41 BTX(GA) SFF non-AMT (models A2U A2F A2S A2P A2L A2D A2Y A2G A2M A2A A2Q A2T A2C A2B A2H A2V A2K A2R A2E A2J)	46R8892	N

Item #	7514 FRUs	FRU#	CRU
7	System board, Intel G41 BTX(GA) -NB upgrade (models A2U A2F A2S A2P A2L A2D A2Y A2G A2M A2A A2Q A2T A2C A2B A2H A2V A2K A2R A2E A2J)	64Y9198	N
8	Power supply, 280W Active PFC power supply(Auto sensing) for 10L---Robust,WW,JP (models A2U A2F A2S A2P A2L A2D A2Y A2G A2M A2A A2Q A2T A2C A2B A2H A2V A2K A2R A2E A2J)	41A9701	N
8	Power supply, 280W 85+ power supply for 10L---Robust,WW,JP (models A2U A2F A2S A2P A2L A2D A2Y A2G A2M A2A A2Q A2T A2C A2B A2H A2V A2K A2R A2E A2J)	41A9742	N
8	Power supply, 280W Active PFC power supply(Auto sensing) for 10L---Robust,WW,JP (models A2U A2F A2S A2P A2L A2D A2Y A2G A2M A2A A2Q A2T A2C A2B A2H A2V A2K A2R A2E A2J)	45J9418	N
8	Power supply, 280W 85+ power supply for 10L---Robust,WW,JP (models A2U A2F A2S A2P A2L A2D A2Y A2G A2M A2A A2Q A2T A2C A2B A2H A2V A2K A2R A2E A2J)	45J9423	N

The FRUs listed in the following tables are not illustrated.

7514 FRUs	FRU#	CRU
Cabel, SATA 700mm (RoHS) for ODD / 2st HDD (all models)	43N9011	2
C2 Intrusion Switch 260mm (all models)	43N9080	2
Rear IO shield BTX (all models)	41R6381	2
Temp Sense Cable (165 mm) (all models)	43N9079	N
Universal Adapter Bracket 5.25 to 3.5 W/Bezel, 607BT (all models)	43N9584	2
Vertical Stand, recycle resin (all models)	43N9585	2
Air Deflector, recycle resin, milan (all models)	43N9610	1
Cable,Luxshare,LED/switch cable R(nonPCB 220mm 10L) for Milan (all models)	43N9075	2
607BT Optical Bezel Asm (all models)	43N9589	2
607BT,NO ODD, Blank Bezel, Plastic (all models)	43N9590	1
Cardreader Bezel, Milan/607BT (all models)	43N9591	1
Non-Cardreader Bezel, Milan/607BT (all models)	43N9592	1
HDD TRAY ASM (all models)	43N9595	1
FRONTCAGE ASM (all models)	43N9596	1
Chassis for Miami (all models)	43N9650	N
Cable,Front I_O cable_R(10L_U380_A550)_ESD (all models)	45J9509	N
Models with 3.5'' Convert 2.5'' for 150GB 10K rpm HDD (1st HDD bay) (all models)	43N9645	2
Cable-SATA 250mm (RoHS) for 1st HDD (all models)	43N9012	2
BATTERY 3V-LITHIUM (models A2U A2F A2S A2P A2L A2D A2Y A2G A2M A2A A2Q A2T A2C A2B A2H A2V A2K A2R A2E A2J)	45C1566	1

7514 Windows XP Pro Recovery CDs	FRU#	CRU
Dutch (models)	63Y8807	1
Hebrew (models)	63Y8810	1
Portuguese (models)	63Y8818	1
Russian English (models)	63Y8814	1

7514 Windows XP Pro Recovery CDs	FRU#	CRU
Hungarian (models)	63Y8816	1
Czech (models)	63Y8808	1
Turkish (models)	63Y8815	1
Greek (models)	63Y8817	1
Slovenian (models)	63Y8819	1
Korea (models)	63Y8823	1
US English (models)	64Y5615	1
French (models)	64Y5616	1
German (models)	64Y5617	1
Italian (models)	64Y5647	1
Brazilian Portuguese (models)	64Y5646	1
Spanish (models)	64Y5645	1
Danish (models)	64Y5736	1
Arabic (models)	64Y5739	1
Swedish (models)	64Y5735	1
Finnish (models)	64Y5737	1
Norwegian (models)	64Y5734	1
Polish (models)	64Y5738	1
Russian (models)	64Y5740	1
Japanese (models)	64Y6078	1
Simplified Chinese (models)	64Y5741	1
Traditional Chinese (models)	64Y5742	1
Hong Kong (models)	64Y5743	1

7514 Keyboard (Lenovo Fingerprint Reader USB)	FRU#	CRU Tier
US English (models)	41R0038	1
Arabic (models)	41R0039	1
Arabic/French (models)	41R0040	1
Belgian/French (models)	41R0041	1
Belgian/English (models)	41R0042	1
Brazilian Portuguese (models)	41R0043	1
Bulgarian (models)	41R0044	1
Chinese/US (models)	41R0045	1
Czech (models)	41R0046	1
Danish (models)	41R0047	1
Dutch (models)	41R0048	1
French (models)	41R0049	1
French Canadian (models)	41R0050	1
French Canadian (models)	41R0051	1
German (models)	41R0052	1
Greek (models)	41R0053	1

7514 Keyboard (Lenovo Fingerprint Reader USB)	FRU#	CRU Tier
Greek/US (models)	41R0054	1
Hebrew (models)	41R0055	1
Hungarian (models)	41R0056	1
Iceland (models)	41R0057	1
Italian (models)	41R0058	1
Japanese (models)	41R0059	1
Korean (models)	41R0060	1
LA Spanish (models)	41R0061	1
Norwegian (models)	41R0062	1
Polish (models)	41R0063	1
Portuguese (models)	41R0064	1
Romanian (models)	41R0065	1
Romanian (models)	41R0066	1
Russian/Cyrillic (models)	41R0067	1
Serbian/Cyrillic (models)	41R0068	1
Slovak (models)	41R0069	1
Spanish (models)	41R0070	1
Swedish/Finnish (models)	41R0071	1
Swiss (models)	41R0072	1
Thailand (models)	41R0073	1
Turkish (models)	41R0074	1
Turkish (models)	41R0075	1
UK English (models)	41R0076	1
US Euro (models)	41R0077	1
Slovenian (models)	41R0078	1

7514 Keyboard (Lenovo Preferred Pro PS/2 Full Size)	FRU#	CRU Tier
US English (models)	41A5039	1
Arabic (models)	41A5040	1
Arabic/French (models)	41A5041	1
Belgian/French (models)	41A5042	1
Belgian/English (models)	41A5043	1
Brazilian Portuguese (models)	41A5044	1
Bulgarian (models)	41A5045	1
Chinese/US (models)	41A5046	1
Czech (models)	41A5047	1
Danish (models)	41A5048	1
Dutch (models)	41A5049	1
French (models)	41A5050	1
French Canadian (models)	41A5051	1
French Canadian (models)	41A5052	1

7514 Keyboard (Lenovo Preferred Pro PS/2 Full Size)	FRU#	CRU Tier
German (models)	41A5053	1
Greek (models)	41A5054	1
Greek/US (models)	41A5080	1
Hebrew (models)	41A5055	1
Hungarian (models)	41A5056	1
Iceland (models)	41A5057	1
Italian (models)	41A5058	1
Japanese (models)	41A5059	1
Korean (models)	41A5060	1
LA Spanish (models)	41A5061	1
Norwegian (models)	41A5062	1
Polish (models)	41A5063	1
Portuguese (models)	41A5064	1
Romanian (models)	41A5065	1
Russian/Cyrillic (models)	41A5066	1
Serbian/Cyrillic (models)	41A5067	1
Slovak (models)	41R0068	1
Spanish (models)	41R0069	1
Swedish/Finnish (models)	41A5070	1
Swiss (models)	41A5071	1
Thailand (models)	41A5072	1
Turkish (models)	41A5073	1
Turkish (models)	41A5074	1
UK English (models)	41A5075	1
US Euro (models)	41A5076	1
Slovenian (models)	41A5077	1

7514 mice	FRU#	CRU
Optical Wheel Mouse (400DPI, USB) (models A2U A2F A2S A2P A2L A2D A2Y A2G A2M A2A A2Q A2T A2C A2B A2H A2V A2K A2R A2E A2J)	41U3013	1
Optical Wheel Mouse (400DPI, USB) (models A2U A2F A2S A2P A2L A2D A2Y A2G A2M A2A A2Q A2T A2C A2B A2H A2V A2K A2R A2E A2J)	41U3030	1
PS/2 2 Button Ball Mouse (models)	41R0018	1

7514 Adapters and miscellaneous FRUs	FRU#	CRU
Internal USB 20 in 1 Memory Card Reader Slim SFF (models)	46R1529	1
IEEE 1394 Firewire Adapter SFF (ROCKYS) (models)	41D2781	1
Soft Modem V.90/V.44 SFF (ROCKYS) (models)	29R9729	1
Speaker Power brick - US, Canada, LA low voltage, ASEAN (models A2U)	89P8571	1
Speaker Power brick - LA high voltage (non-APU) (models)	89P8575	1
Speaker Power brick - SIMPLIFIED -CHN, Thailand EMEA (models A2G A2C)	89P8581	1

7514 Adapters and miscellaneous FRUs	FRU#	CRU
Speaker Power brick - JAPANESE (models A2J)	89P8577	1
Speaker Power brick - Brazil (models)	89P8583	1
Speaker Power brick - Argentina (models)	41A4901	1
Speaker Power brick - ANZ (models A2M)	89P8579	1
Speaker Power brick - KOREA (models)	41A4903	1
Speaker Power brick - HONG KONG, EMEA,IRELAND (models A2G)	89P8573	1
Speaker Power brick -TAIWAN-TC (models A2V)	41A4905	1
Speaker Power brick - INDIA, South Africa (models A2Q)	89P8585	1
2-pc external speaker--primary (models)	41A5331	1
2-pc external speaker-secondary (models)	41A5334	1
DVI-I(M)-VGA(F) cord (models)	41R3342	1
ATI HD3470 GDDR3 256MB - VGA+DP (models)	46R1521	1
ADD2 DVI-D Adapter, (HDCP) DVD-D connection Adapter Low Profile(Silicon Image) (models)	43C0258	1
DisplayPort to DVI-D Dongle (models)	43N9160	1
DisplayPort to VGA Dongle (models)	45J9524	1
Modem phone cable (models)	39K5120	1
LI140mm Rear Com2 cable II mini® SFF (models)	43N9062	2
Rear USB 2Ports II LP® 350mm (modles)	43N9124	2
Nvidia G100 DDR2 256MB LP - DVI-I (With DVI-I to VGA Dongle) (models)	53Y9341	1

7514 Line Cords	FRU#	CRU
Line cord - US (models A2U A2F A2S A2L A2Y A2A A2T)	41R3184	1
Line cord - US (models A2U A2F A2S A2L A2Y A2A A2T)	41R3185	1
Line cord - China (models A2C)	41R3256	1
Line cord - China (models A2C)	41R3257	1
Line cord - Japanese and Japanese English (models A2E A2J)	41R3248	1
Line cord - Japanese and Japanese English (models A2E A2J)	41R3249	1
Line cord - Brazil (models)	41R3270	1
Line cord - Brazil (models)	41R3271	1
Line cord - LA High Volt APU (models)	41R3176	1
Line Cord - LA High Volt APU (models)	41R3177	1
Line cord - ANZ (models)	41R3196	1
Line cord - ANZ (models)	41R3197	1
Line Cord - Korea (models)	41R3260	1
Line Cord - Korea (models)	41R3261	1
Line Cord - UK, Ireland, Singapore, Malaysia, Brunei (models A2B A2H)	41R3224	1
Line Cord - UK, Ireland, Singapore, Malaysia, Brunei (models A2B A2H)	41R3225	1
Line Cord - Taiwan (models A2V)	41R3278	1
Line Cord - Taiwan (models A2V)	41R3279	1
Line Cord - Italy (models)	41R3232	1

7514 Line Cords	FRU#	CRU
Line Cord - Italy (models)	41R3233	1
Line Cord - Indonesia, Laos, Cambodia, and Vietnam (models A2U A2F A2S A2L A2Y A2A A2T)	41R3208	1
Line Cord - Indonesia, Laos, Cambodia, and Vietnam (models A2U A2F A2S A2L A2Y A2A A2T)	41R3209	1
Line Cord - Denmark (models A2G)	41R3212	1
Line Cord - Denmark (models A2G)	41R3213	1
Line Cord - Switzerland (models A2G)	41R3228	1
Line Cord - Switzerland (models A2G)	41R3229	1
Line Cord - Israel (models A2G)	41R3236	1
Line Cord - Israel (models A2G)	41R3237	1
Line Cord - South Africa (models A2G A2M A2A)	41R3220	1
Line Cord - South Africa (models A2G A2M A2A)	41R3221	1
Line Cord - India (models A2Q)	41R3341	1
Line Cord - India (models A2Q)	41R3175	1
Line Cord - Thailand (models)	43N9029	1
Line Cord - Thailand (models)	43N9030	1
Line Cord - Y cable for Brazil Line Cord - India (models)	43N9044	1

7514 Windows XP Pro Recovery CDs	FRU#	CRU
English (models)	63Y8797	1
French (models)	63Y8798	1
German (models)	63Y8799	1
Italian (models)	63Y8802	1
Brazilian Portuguese (models)	63Y8801	1
Spanish (models)	63Y8800	1
Danish (models)	63Y8806	1
Dutch (models)	63Y8807	1
Arabic (models)	63Y8812	1
Swedish (models)	63Y8805	1
Hebrew (models)	63Y8810	1
Finnish (models)	63Y8809	1
Norwegian (models)	63Y8804	1
Polish (models)	63Y8811	1
Portuguese (models)	63Y8818	1
Russian (models)	63Y8813	1
Russian English (models)	63Y8814	1
Hungarian (models)	63Y8816	1
Czech (models)	63Y8808	1
Turkish (models)	63Y8815	1
Greek (models)	63Y8817	1

7514 Windows XP Pro Recovery CDs	FRU#	CRU
Slovenian (models)	63Y8819	1
Japanese (models)	63Y8803	1
Simplified Chinese (models)	63Y8820	1
Taiwan-TC (models)	63Y8821	1
Hong Kong-TC (models)	63Y8822	1
Korea (models)	63Y8823	1

7514 Vista Home Basic 32 Recovery DVDs	FRU#	CRU
English (models)	64Y2512	1
French (models)	64Y2514	1
German (models)	64Y2515	1
Spanish (models)	64Y2516	1
Brazilian Portuguese (models)	64Y2517	1
Italian (models)	64Y2518	1
Japanese (models)	64Y2525	1
Dutch (models)	64Y2532	1
Czech (models)	64Y2519	1
Polish (models)	64Y2520	1
Russian (models)	64Y2521	1
Turkish (models)	64Y2522	1
Hungarian (models)	64Y2523	1
Greek (models)	64Y2524	1
Portuguese (models)	64Y2535	1
Simplified Chinese (models)	64Y2526	1
Hongkong (models)	64Y2528	1
Traditional Chinese (models)	64Y2527	1
Korean (models)	64Y2529	1
Slovenian (models)	64Y2530	1
Russian English (models)	64Y2513	1
Hebrew (models)	64Y2533	1
Arabic enabled (models)	64Y2531	1
Slovakian (models)	64Y2537	1
Romanian (models)	64Y2534	1
Serbian-Latin (models)	64Y2536	1
Miami MUL DVD P/Ns Vista Home Basic 32 C&L1 Nordics (English DK Fi No SV) (models)	64Y2538	1
Miami MUL DVD P/Ns Vista Home Basic 32 C&L 2 Switzerland (English FR GR IT) (models)	64Y2539	1
Miami MUL DVD P/Ns Vista Home Basic 32 C&L3 Bel Lux (English FR GR NL) (models)	64Y2540	1

7514 Vista Business 32 Recovery DVDs	FRU#	CRU
English (models A2U A2L A2G A2M A2A A2Q A2H A2R A2E)	64Y2425	1
French (models A2F A2G)	64Y2427	1
German (models A2G)	64Y2428	1
Spanish (models A2G)	64Y2429	1
Brazilian (models)	64Y2430	1
Italian (models A2G)	64Y2432	1
Japanese (models A1J A2J)	64Y2438	1
Dutch (models)	64Y2445	1
Czech (models)	64Y2432	1
Polish (models A2G)	64Y2433	1
Russian (models A2G)	64Y2434	1
Turkish (models A2G)	64Y2435	1
Hungarian (models A2G)	64Y2436	1
Greek (models A2G)	64Y2437	1
Portuguese (models A2G)	64Y2448	1
Simplified Chinese (models A2G)	64Y2439	1
Trad Chinese (models A3V A2V)	64Y2440	1
HongKong (models)	64Y2441	1
Korean (models A2K)	64Y2442	1
Slovenian (models)	64Y2443	1
Russian English (models A2G)	64Y2426	1
Romanian (models A2G)	64Y2447	1
Serbian-Latin (models)	64Y2449	1
Slovakian (models A2G)	64Y2450	1
Arabic enabled (models)	64Y2444	1
Hebrew (models A2G)	64Y2446	1
Miami MUL DVD P/Ns VB32 C&L1 Nordics (English DK FI NO SV) (models A2G)	64Y2451	1
Miami MUL DVD P/Ns VB32 C&L 2 Switzerland (English FR GR IT) (models A2G)	64Y2452	1
Miami MUL DVD P/Ns VB32 C&L3 Bel Lux (English FR GR NL) (models A2G)	64Y2453	1

7514 Vista VHP 32 Recovery DVDs	FRU#	CRU
English (models)	64Y2541	1
French (models)	64Y2542	1
German (models)	64Y2543	1
Spanish (models)	64Y2544	1
Italian (models)	64Y2546	1
Japanese (models)	64Y2547	1
Hong Kong (models)	64Y2548	1
Korean (models)	64Y2545	1
Miami MUL DVD P/Ns VHP32 C&L1 Nordics (English DK FI NO SV) (models)	64Y2549	1
Miami MUL DVD P/Ns VHP32 C&L 2 Switzerland (English FR GR IT) (models)	64Y2550	1

7514 Vista VHP 32 Recovery DVDs	FRU#	CRU
Miami MUL DVD P/Ns VHP32 C&L3 Bel Lux (English FR GR NL) (models)	64Y2551	1

7514 Vista Business 64 Recovery CDs	FRU#	CRU
English (models)	64Y2561	1
French (models)	64Y2562	1
German (models)	64Y2563	1
Japanese (models)	64Y2564	1
Simplified Chinese (models)	64Y2565	1

7514 Vista Ultimate 32 Recovery CDs	FRU#	CRU
English (models)	64Y2552	1
Japanese (models)	64Y2557	1
French (models)	64Y2553	1
German (models)	64Y2554	1
Spanish (models)	64Y2555	1
Italian (models)	64Y2556	1
HongKong (models)	64Y2558	1
Arabic Localized (models)	64Y2559	1
MUL DVD P/Ns VU32 C&L1 Nordics (EN DK FI NO SV) (models)	64Y2560	1

Special bid information

Machine Types for Special bid	Models for system board
7258	Intel G41 MATX(GA) Tower non-AMT Intel G41 MATX(GA) (models 91U 91F 91S 91L 91D 91Y)
7259	Intel G41 MATX(GA) Tower non-AMT Intel G41 MATX(GA) (models 91U 91F 91S 91L 91D 91Y 91P)
7270	Intel G41 MATX(GA) Tower non-AMT Intel G41 MATX(GA) (models 91U 91F 91Q 91C 91B 91H 91K 91R 91E 91J)
7279	Intel G41 MATX(GA) Tower non-AMT Intel G41 MATX(GA) (models 91U 91F 91P 91Q 91C 91K 91R)
7280	Intel G41 MATX(GA) Tower non-AMT Intel G41 MATX(GA)(models 91S 91P 91D 91Y)
7290	Intel G41 BTX(GA) SFF non-AMT Intel G41 BTX(GA) (models 91S 91P 91D 91Y)
7296	Intel G41 MATX(GA) Tower non-AMT Intel G41 MATX(GA) (models 91M 91A 91Q 91K 91R)
7297	Intel G41 MATX(GA) Tower non-AMT Intel G41 MATX(GA) (models 91M 91A 91Q 91K 91R)

Machine Types for Special bid	Models for system board
7298	Intel G41 MATX(GA) Tower non-AMT Intel G41 MATX(GA) (models 91C 91B 91H)
7303	Intel G41 MATX(GA) Tower non-AMT Intel G41 MATX(GA) (models 91C 91B 91H)
7413	Intel G41 MATX(GA) Tower non-AMT Intel G41 MATX(GA) (models 91U 91F 91S 91P 91L 91Y 91D 91G 91M 91A 91Q 91T 91C 91B 91H 91V 91K 91R 91E 91J)
7487	Intel G41 BTX(GA) SFF non-AMT Intel G41 BTX(GA) (models 91U 91F 91S 91P 91L 91Y 91D 91G 91M 91A 91Q 91T 91C 91B 91H 91V 91K 91R 91E 91J)
7491	Intel G41 MATX(GA) Tower non-AMT Intel G41 MATX(GA) (models 91C 91B 91H 91J)
7506	Intel G41 MATX(GA) Tower non-AMT Intel G41 MATX(GA) (models 91G 91C 91B 91H 91K 91R 91J)
7843	Intel G41 MATX(GA) Tower non-AMT Intel G41 MATX(GA) (models 91U 91F 91S 91L 91D 91Y 91G 91M 91A 91Q 91T 91C 91B 91H 91V 91K 91R 91E 91J)
7847	Intel G41 MATX(GA) Tower non-AMT Intel G41 MATX(GA) (models 91U 91F 91S 91L 91D 91Y 91G 91M 91A 91Q 91T 91C 91B 91H 91V 91K 91R 91E 91J)

Chapter 11. Additional Service Information

This chapter provides additional information that the service representative might find helpful.

Security features

Security features in this section include the following:

- Passwords
- Vital Product Data
- Management Information Format (MIF)

Hardware controlled Passwords

Hardware controlled passwords are set using the Setup Utility program. For more information about passwords, see "Using passwords" on page 49.

Operating system password

An operating system password is very similar to a power-on password and denies access to the computer by an unauthorized user when the password is activated. The computer is unusable until the password is entered and recognized by the computer.

Vital product data

Each computer has a unique Vital Product Data (VPD) code stored in the nonvolatile memory on the system board. After you replace the system board, the VPD must be updated. To update the VPD, see "Flash update procedures."

BIOS levels

An incorrect level of BIOS can cause false errors and unnecessary FRU replacement. Use the following information to determine the current level of BIOS installed in the computer, the latest BIOS available for the computer, and where to obtain the latest level of BIOS.

- To determine the current Level of BIOS:
 - Start the Setup Utility.
 - Select Standard CMOS Features.
- Sources for obtaining the latest level BIOS available
 1. Lenovo support web site:
<http://www.lenovo.com/support/>
 2. Lenovo Customer Support Center
 3. Levels 1 and 2 Support

To update (flash) the BIOS, see "Flash update procedures."

Flash update procedures

This section details how to flash (update) the BIOS.

Updating (flashing) BIOS from a disc

This section describes how to update (flash) the BIOS using a disc. System BIOS program updates are available at:

<http://www.lenovo.com/support>

1. To update (flash) the BIOS from a disc, make sure the computer is turned on. Insert the disc into the optical drive.
2. Turn the computer off and back on again. The update begins.
3. When you are prompted to select a language, press the number on your keyboard that corresponds to the language and then press Enter.
4. When prompted to change the serial number, press Y.
5. Type in the seven character serial number of your computer and then press Enter.
6. When prompted to change the machine type/model, press Y.
7. Type in the seven character machine type/model of your computer and then press Enter.
8. Follow the instructions on the screen to complete the update.

Updating (flashing) BIOS from your operating system

Note: Due to the constant improvements made to the Web site, Web page content (including the links referenced in the following procedure) is subject to change.

1. Go to:
<http://www.lenovo.com/support>
2. Locate the downloadable files for your machine type as follows:
 - a. In the **Enter a product** field, type your machine type and click **Go → Continue → Downloads and drivers**.
 - b. Under the BIOS category, click **Flash BIOS update**.
 - c. Click the TXT file that contains the installation instructions for the flash BIOS update (flash from the operating system version).
3. Print these instructions. This is very important because they are not on the screen after the download begins.
4. Click **Back** to return to the list of files. Carefully follow the printed instructions to download, extract, and install the update.

Recovering from a POST/BIOS update failure

If power to your computer is interrupted while POST/BIOS is being updated (flash update), your computer might not restart correctly. If this happens, perform the following procedure commonly called Boot-block Recovery.

1. Turn off the computer and any attached devices, such as printers, monitors, and external drives.
2. Unplug all power cords from electrical outlets, and remove the computer cover.
3. Access the system board.
4. Locate the Clear CMOS/Recovery jumper on the system board. Refer to "System board connectors" on page 124.
5. Remove any cables that impede access to the Clear CMOS/Recovery jumper.

6. Move the jumper from the standard position (pin 1 and pin 2) to pin 2 and pin 3.

Note: If the system board has only two pins for clearing the CMOS, add a jumper to the two pins.

7. Reinstall any PCI adapter card if removed.
8. Reconnect any cables that were disconnected and reinstall the computer cover.
9. Reconnect the power cords for the computer and monitor to electrical outlets.
10. Turn on the computer and the monitor. Insert the POST/BIOS update (flash) disc into the optical drive.
11. Turn the computer off and back on again.
12. The recovery session will take two to three minutes. During this time you will hear a series of beeps. After the update session is completed, there will be no video, the series of beeps will end, and the system will automatically turn off. Remove the disc from the optical drive before the system completely turns off.
13. Repeat steps 2 through 5.
14. Replace the Clear CMOS/Recovery jumper to its original position (pin 1 and pin 2).

Note: If the system board has only two pins for clearing the CMOS, remove the jumper from the two pins.

15. Reinstall the PCI adapter card if removed.
16. Reconnect any cables that were disconnected and reinstall the computer cover.
17. Turn on the computer to restart the operating system.

Power management

Power management reduces the power consumption of certain components of the computer such as the system power supply, processor, hard disk drives, and some monitors.

Automatic configuration and power interface (ACPI) BIOS

Being an ACPI BIOS system, the operating system is allowed to control the power management features of the computer and the setting for Advanced Power Management (APM) BIOS mode is ignored. Not all operating systems support ACPI BIOS mode.

Automatic Power-On features

The Automatic Power-On features within the Power Management menu allow you to enable and disable features that turn on the computer automatically.

- **Serial Port A Ring Detect:** With this feature set to **Enabled** and an external modem connected to serial port (COM1), the computer will turn on automatically when a ring is detected on the modem.
- **PCI Modem Ring Detect:** With this feature set to **Enabled**, the computer will turn on automatically when a ring is detected on the internal modem.
- **PCI Wake Up:** This feature allows PCI cards that support this capability to wake the system.
- **Wake Up on Alarm:** You can specify a date and time at which the computer will be turned on automatically. This can be either a single event or a daily event.
- **Wake on LAN:** If the computer has a properly configured token-ring or Ethernet LAN adapter card that is Wake on LAN-enabled and there is remote network management software, you can use the Wake on LAN feature. When you set Wake on LAN to **Enabled**, the computer will turn on when it receives a specific signal from another computer on the local area network (LAN).

Appendix. Notices

Lenovo may not offer the products, services, or features discussed in this document in all countries. Consult your local Lenovo representative for information on the products and services currently available in your area. Any reference to a Lenovo product, program, or service is not intended to state or imply that only that Lenovo product, program, or service may be used. Any functionally equivalent product, program, or service that does not infringe any Lenovo intellectual property right may be used instead. However, it is the user's responsibility to evaluate and verify the operation of any other product, program, or service.

Lenovo may have patents or pending patent applications covering subject matter described in this document. The furnishing of this document does not give you any license to these patents. You can send license inquiries, in writing, to:

*Lenovo (United States), Inc.
1009 Think Place - Building One
Morrisville, NC 27560
U.S.A.
Attention: Lenovo Director of Licensing*

LENOVO PROVIDES THIS PUBLICATION "AS IS" WITHOUT WARRANTY OF ANY KIND, EITHER EXPRESS OR IMPLIED, INCLUDING, BUT NOT LIMITED TO, THE IMPLIED WARRANTIES OF NON-INFRINGEMENT, MERCHANTABILITY OR FITNESS FOR A PARTICULAR PURPOSE. Some jurisdictions do not allow disclaimer of express or implied warranties in certain transactions, therefore, this statement may not apply to you.

This information could include technical inaccuracies or typographical errors. Changes are periodically made to the information herein; these changes will be incorporated in new editions of the publication. Lenovo may make improvements and/or changes in the product(s) and/or the program(s) described in this publication at any time without notice.

The products described in this document are not intended for use in implantation or other life support applications where malfunction may result in injury or death to persons. The information contained in this document does not affect or change Lenovo product specifications or warranties. Nothing in this document shall operate as an express or implied license or indemnity under the intellectual property rights of Lenovo or third parties. All information contained in this document was obtained in specific environments and is presented as an illustration. The result obtained in other operating environments may vary.

Lenovo may use or distribute any of the information you supply in any way it believes appropriate without incurring any obligation to you.

Any references in this publication to non-Lenovo Web sites are provided for convenience only and do not in any manner serve as an endorsement of those Web sites. The materials at those Web sites are not part of the materials for this Lenovo product, and use of those Web sites is at your own risk.

Any performance data contained herein was determined in a controlled environment. Therefore, the result obtained in other operating environments may

vary significantly. Some measurements may have been made on development-level systems and there is no guarantee that these measurements will be the same on generally available systems. Furthermore, some measurements may have been estimated through extrapolation. Actual results may vary. Users of this document should verify the applicable data for their specific environment.

Television output notice

The following notice applies to models that have the factory-installed television-output feature.

This product incorporates copyright protection technology that is protected by method claims of certain U.S. patents and other intellectual property rights owned by Macrovision Corporation and other rights owners. Use of this copyright protection technology must be authorized by Macrovision Corporation, and is intended for home and other limited viewing uses only unless otherwise authorized by Macrovision Corporation. Reverse engineering or disassembly is prohibited.

Trademarks

The following terms are trademarks of Lenovo in the United States, other countries, or both:

- Lenovo
- The Lenovo Logo
- ThinkCentre
- PS/2
- Rescue and Recovery

Wake on LAN is a trademarks of International Business Machines Corporation in the United States, other countries, or both:

Intel, Pentium and Celeron are trademarks of Intel Corporation in the United States, other countries, or both.

Microsoft, Windows, and Windows Vista are trademarks of the Microsoft group of companies.

Other company, product, or service names may be trademarks or service marks of others.

lenovo®

Part Number: 53Y6397

Printed in USA

(1P) P/N: 53Y6397

