



Network

Dome

TNV-C8014RM

T AI 5MP IR Mobile Camera



Key Features

- Max. 5MP resolution
- 3.0 mm fixed lens
- Color: 0.03Lux(F1.6, 1/30sec), BW: 0.003Lux(F1.6, 1/30sec, 30IRE)
- Maximum 30fps@5MP (H.265/H.264)
- IR viewable length 30m (98.42ft)
- Hard-coated dome bubble,
- EIS, Shock detection, Heater, Built-in Mic
- H.265, H.264, MJPEG, WiseStreamIII (Using AI engine)
- Analytics events based on AI engine (NPU)
- EN50155 compliance
- IP66, IK10
- PoE: Max 7.2W, M12 connector

TNV-C8014RM

T AI 5MP IR Mobile Camera



Specifications

Video

Imaging Device	Size	1/2.8"
	Type	CMOS
Resolution	1280x960, 2560x1440, 2592x1944, 320x240, 720x576, 640x360, 640x480, 800x600, 800x448, 1920x1080, 1280x720, 720x480	
Max. Framerate	H.265/H.264	30fps/25fps(60Hz/50Hz)
	MJPEG	30fps(@5MP Max. 5fps)
Min. Illumination (Lux)	Color(1/30sec, 30IRE)	0.03
	BW(1/30sec, 30IRE)	0.003
Video Out	USB: Micro USB Type B	

Lens

Focal Length (mm)	3.0	
Max Aperture Ratio (F number)	Wide	1.6
Angular Field of View	Horizontal	100°
	Vertical	73°
	Diagonal	129°
Min. Object Distance	0.5m(1.64ft)	
Focus Control	Fixed	
Lens Type	Fixed iris	
Mount Type	M12	

Pan / Tilt / Rotate

Pan / Tilt / Rotate Range	Pan	±5°
	Tilt	0°~67°
	Rotate	±90°

Operational

Day & Night	Auto(ICR)
Backlight Compensation	ClearHDR, WDR, BLC, SSSDR
Wide Dynamic Range (dB)	120

Operational

Digital Noise Reduction		WiseNR II (Based on AI engine), SSNR V
Digital Image Stabilization		Support(built-in gyro sensor)
Defog		Support
Motion Detection	Quantity	8ea
	Shape	8point Polygonal zones
Privacy Masking	Quantity	32ea
	Shape	4point Quadrangle zones
	Color / Option	Green, Red, Blue, Gray, Black, White
Gain Control		Low, High, Middle
White Balance		Indoor, AWC, Manual, Outdoor, ATW
LDC		Support
Electronic Shutter	Mode	Anti flicker, Prefer shutter control(Based on AI engine), Minimum, Maximum
	Speed Range	1/5~1/25,000sec
Digital PTZ		Support
Video Rotation		Flip, Hallway view(90°/270°), Mirror
Alarm Triggers		MQTT subscription, Analytics, Network disconnect
Alarm Events When Alarm Trigger Occurred		Notification: e-mail, Audio clip playback, Recording: SD/SDHC/SDXC or NAS recording at event triggers, File upload(image): e-mail/FTP/SFTP, MQTT: publication, Handover: PTZ preset, send message by HTTP/HTTPS/TCP
Audio In		Built-in mic, Selectable(mic in/line in)
Audio Out		Line out
Light Type		IR LED
Light Viewable Length	IR	30m(98.42ft)
IR Wavelength		850nm

Analytics

Classified Object Type		Vehicle, Person
Attributes	Person	Upper/Lower clothes color
	Vehicle	Color, Type(car, bus, truck, motorcycle, bicycle)
Thumbnail		BestShot
Analytics Events	Based on AI Engine	Motion detection, Virtual area(Loitering/Intrusion/Enter/Exit), Virtual line(Crossing/Direction), Object detection
	Normal	Defocus detection, Shock detection, Tampering, Virtual area(Appear/Disappear)
Business Intelligence	Based on AI Engine	Heatmap, Queue management, People counting, Vehicle counting

Network

Ethernet	M12
Video Compression	H.265/H.264: Main/High, MJPEG

Network

Audio Compression		AAC-LC: 48Kbps at 16KHz, G.726: 16Kbps, 24Kbps, 32Kbps, 40Kbps, G.726(ADPCM) 8KHz, G.711 8KHz, G.711 u-law /G.726 selectable
Smart Codec		Manual, WiseStreamIII
Bitrate Control		H.265/H.264: CBR or VBR, MJPEG: VBR
Streaming	Unicast	Up to 20 users
	Multicast	Support
	Multiple Streaming	Up to 5 profiles
Protocol		HTTP, RTP(UDP), IPv4, HTTPS, FTP, NTP, TCP/IP, ARP, DHCP, RTCP, IPv6, UDP/IP, Bonjour, DNS, SNMPv1/v2c/v3(MIB-2), RTP(TCP), SSL/TLS, QoS, SMTP, DDNS, IGMP, SFTP, UPnP, CDP, LLDP, MQTT, RTSP, ICMP, SRTP(TCP, UDP Unicast)
Application Programming Interface	ONVIF	G, M, S, T
	Others	Hanwha Vision Open Platform, SUNAPI(HTTP API)
Direct Cloud Connection		Support

Security

OS / Firmware Protect	Secure boot, Encrypted firmware, Signed firmware
User authentication	Digest authentication, Prevent brute-force attack
Network authentication	IEEE 802.1X(EAP-TLS, EAP-LEAP, EAP-PEAP, MSCHAPv2)
Secure Communication	HTTPS, WSS(WebSocket Secure)
Access Control	IP-based access control
Data Protect	Encryption credentials, Encrypt compress for live recording file export
Audit	Access / System / Event Log management
Device ID	Device certificate(Hanwha Vision Root CA)
Secure Storage	SDcard partition encrypt(AES-256)

General

Memory	RAM	2GB
	Flash	1GB
Edge Storage	Micro SD/SDHC/SDXC	Max. 256GB x 1slot

Environmental & Electrical

Operating Condition	Temperature	-40°C~+55°C(-40°F~+131°F)
	Humidity	0~100% RH(condensing)
	Others	Humidity control with AIR vent, Start up should be done at above -30°C
Storage Condition	Temperature	-40°C~+55°C(-40°F~+131°F)
	Humidity	0~95% RH(non-condensing)
Input Voltage		PoE(IEEE802.3af, Class3)
Power Consumption	PoE	Max. 7.2W, typical 4.2W

Mechanical

Color	White
Material	Aluminum, Hard-coated dome
RAL Code	RAL9003
Product Dimensions	106x105x55mm(4.17x4.13x2.17")
Product Weight	466g(1.03 lb)

Certifications & Standards

EMC	FCC 47 CFR 15 Subpart B Class A, EN 50121-3-2, RCM AS-NZS CISPR 32 Class A, CE/UKCA - EN55032 Class A, EN 50130-4, EN 61000-3-2, EN 61000-3-3, ICES-3(A)/NMB-3(A), VCCI CISPR 32 Class A, EN 50121-4
Safety	IEC 62471, UL 62368-1, CAN/CSA C22.2 NO. 62368-1
Environment	IEC/EN 61373, IEC/EN 63000, JIS E 4031, EN 50121-4, IEC 60529 IP66, JIS E 5006, EN 50498, IEC 62236-3-2, EN 45545, EN 50155, IEC 62236-4, IEC 62262 IK10

DORI (EN62676-4 standard)

Detect (25PPM/ 8PPF)	Wide	43.5m(142.71ft)
Observe (63PPM/ 19PPF)	Wide	17.5m(57.09ft)
Recognize (125PPM/ 38PPF)	Wide	8.7m(28.54ft)
Identify (250PPM/ 76PPF)	Wide	4.3m(14.27ft)

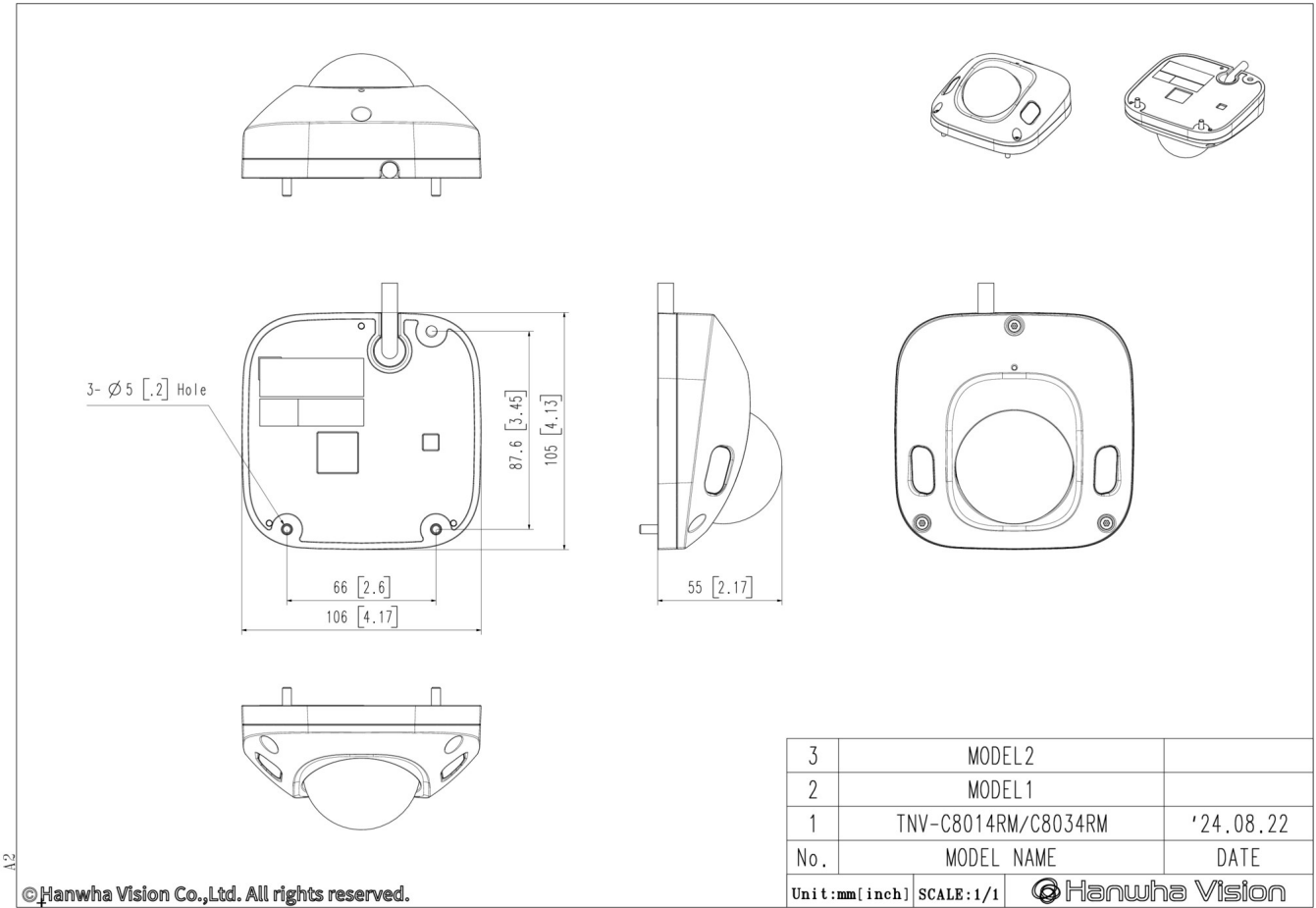
TNV-C8014RM

T AI 5MP IR Mobile Camera



CAD

Unit: mm [inch]



© Hanwha Vision Co., Ltd. All rights reserved.