

# Galaxy 5500

20–120 kVA 400 V

## Receiving and Unpacking

05/2016



# Legal Information

The Schneider Electric brand and any registered trademarks of Schneider Electric Industries SAS referred to in this guide are the sole property of Schneider Electric SA and its subsidiaries. They may not be used for any purpose without the owner's permission, given in writing. This guide and its content are protected, within the meaning of the French intellectual property code (Code de la propriété intellectuelle français, referred to hereafter as "the Code"), under the laws of copyright covering texts, drawings and models, as well as by trademark law. You agree not to reproduce, other than for your own personal, noncommercial use as defined in the Code, all or part of this guide on any medium whatsoever without Schneider Electric's permission, given in writing. You also agree not to establish any hypertext links to this guide or its content. Schneider Electric does not grant any right or license for the personal and noncommercial use of the guide or its content, except for a non-exclusive license to consult it on an "as is" basis, at your own risk. All other rights are reserved.

Electrical equipment should be installed, operated, serviced, and maintained only by qualified personnel. No responsibility is assumed by Schneider Electric for any consequences arising out of the use of this material.

As standards, specifications, and designs change from time to time, please ask for confirmation of the information given in this publication.

---

# Table of Contents

Important Safety Instructions — SAVE THESE	
INSTRUCTIONS.....	5
Safety Precautions .....	7
Storage Conditions.....	8
Weights and Dimensions .....	9
Receiving .....	10
Unpack.....	11
Move to Installation Site .....	14



# Important Safety Instructions — SAVE THESE INSTRUCTIONS

Read these instructions carefully and look at the equipment to become familiar with it before trying to install, operate, service or maintain it. The following safety messages may appear throughout this manual or on the equipment to warn of potential hazards or to call attention to information that clarifies or simplifies a procedure.



The addition of this symbol to a “Danger” or “Warning” safety message indicates that an electrical hazard exists which will result in personal injury if the instructions are not followed.



This is the safety alert symbol. It is used to alert you to potential personal injury hazards. Obey all safety messages with this symbol to avoid possible injury or death.

## **DANGER**

**DANGER** indicates a hazardous situation which, if not avoided, **will result in death or serious injury.**

**Failure to follow these instructions will result in death or serious injury.**

## **WARNING**

**WARNING** indicates a hazardous situation which, if not avoided, **could result in death or serious injury.**

**Failure to follow these instructions can result in death, serious injury, or equipment damage.**

## CAUTION

**CAUTION** indicates a hazardous situation which, if not avoided, **could result in** minor or moderate injury.

**Failure to follow these instructions can result in injury or equipment damage.**

## NOTICE

**NOTICE** is used to address practices not related to physical injury. The safety alert symbol shall not be used with this type of safety message.

**Failure to follow these instructions can result in equipment damage.**

## Please Note

Electrical equipment should only be installed, operated, serviced, and maintained by qualified personnel. No responsibility is assumed by Schneider Electric for any consequences arising out of the use of this material.

A qualified person is one who has skills and knowledge related to the construction, installation, and operation of electrical equipment and has received safety training to recognize and avoid the hazards involved.

## Safety Precautions

### **⚠ WARNING**

#### **HAZARD OF ELECTRIC SHOCK, EXPLOSION, OR ARC FLASH**

- Do not unpack the units before the time of installation.
- Cover the units and store the units in a temperature controlled indoor environment free of conductive contaminants and humidity, where the units are protected from moisture until the time of start-up. Moisture inside the cabinet can create hazardous short circuits.

**Failure to follow these instructions can result in death, serious injury, or equipment damage.**




### ***NOTICE***

#### **RISK OF EQUIPMENT DAMAGE**

Batteries must not be stored more than six months due to the requirement of recharging. If the UPS system remains de-energized for a long period, Schneider Electric recommends that you energize the UPS system for a period of 24 hours at least once every month. This charges the batteries, thus avoiding irreversible damage.

**Failure to follow these instructions can result in equipment damage.**

## Storage Conditions

		
<p>Storage temperature: -20° to +45°C (4° to 122°F)</p>	<p>Relative humidity: 0 to 95% Non-condensing</p>	<p>Altitude: 0 to 10000m (0 to 32,000 ft)</p>



## Weights and Dimensions

Cabinet	Min weight kg <sup>1</sup>	Max weight kg <sup>2</sup>	Max weight kg <sup>3</sup>	Height mm	Width mm	Depth mm
UPS 20–60 kVA	400			1900	712	848
UPS 80–120 kVA	520			1900	712	848
UPS 20–60 kVA with internal battery <sup>4</sup>	550	1045		1900	1112	848
Battery cabinet (narrow)	180	951		1900	712	848
Battery cabinet (wide)	220	1350		1900	1012	848
Isolation transformer cabinet (40 kVA)	105		305	1900	487	848
Isolation transformer cabinet (60–120 kVA)	115		525	1900	512	848
Auxiliary cabinet (narrow)	135		1100	1900	712	848
Auxiliary cabinet (wide)	150			1900	1012	848

**NOTE:** The final weight of the cabinet with batteries depend on chosen runtime, number of battery blocks and battery brand and type. The weights given here are only approximate weights measured with an Schneider Electric battery solution and must only be used as an indication of an approximate final weight.

1. Without batteries or transformer.
2. With batteries.
3. With transformer.
4. Minimum weight: empty UPS cabinet (without batteries). Maximum weight: battery runtime up to 30 minutes.

# Receiving

## External Inspection

When the shipment arrives, inspect the shipping material for any signs of damage or mishandling. Check tilt and impact indicators. Do not attempt to install the system if a damage is apparent. If any damage is noted, contact Schneider Electric and file a damage claim with the shipping agency within 24 hours.

Compare the components of the shipment with the bill of lading. Report any missing items to the carrier and to Schneider Electric immediately.

Verify that labelled units match the order confirmation.

# Unpack

## **⚠ WARNING**

### **HAZARD OF OVERHEATING**

Do not remove the cabinet feet as they are required to ensure efficient ventilation.

**Failure to follow these instructions can result in death, serious injury, or equipment damage.**

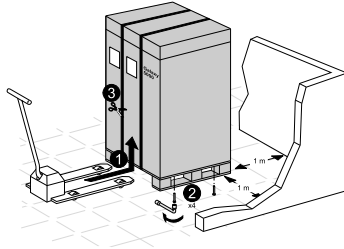
## **⚠ WARNING**

### **HAZARD OF TILTING**

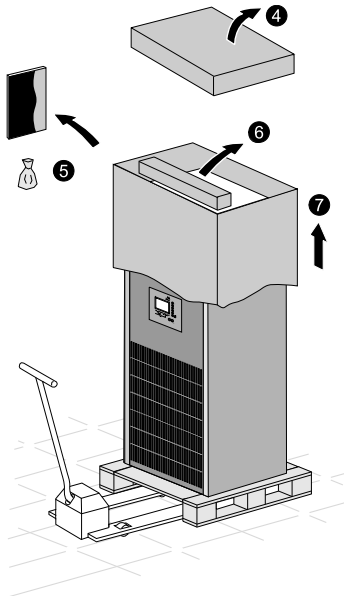
Do not remove the cabinet feet as they are required to spread the weight and ensure a correct stability of the cabinet.

**Failure to follow these instructions can result in death, serious injury, or equipment damage.**

1. Lift the UPS.
2. Remove the screws.
3. Cut the strips that secure the cardboard<sup>5</sup>.

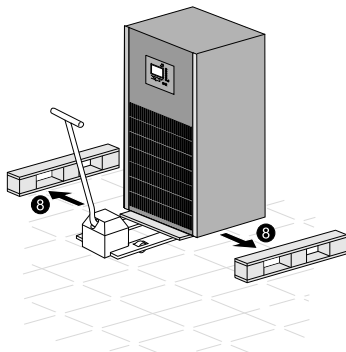


4. Remove the cardboard<sup>5</sup> cover.
5. Remove documentation and hardware package bag.
6. Remove hardware package carton.
7. Remove the cardboards<sup>5</sup>.

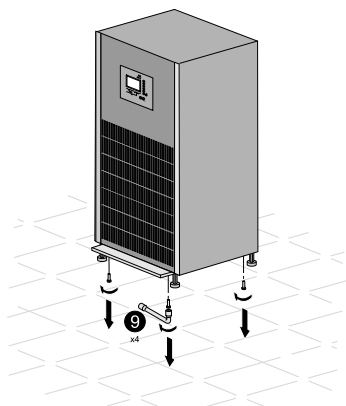


5. Cardboard may be replaced by plastic wrapping.

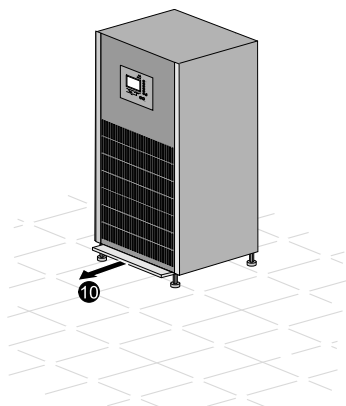
8. Remove the skids.



9. Remove the screws.



10. Remove the plank.



# Move to Installation Site

**NOTE:** The UPS must be installed in a room with restricted access (qualified personnel only).

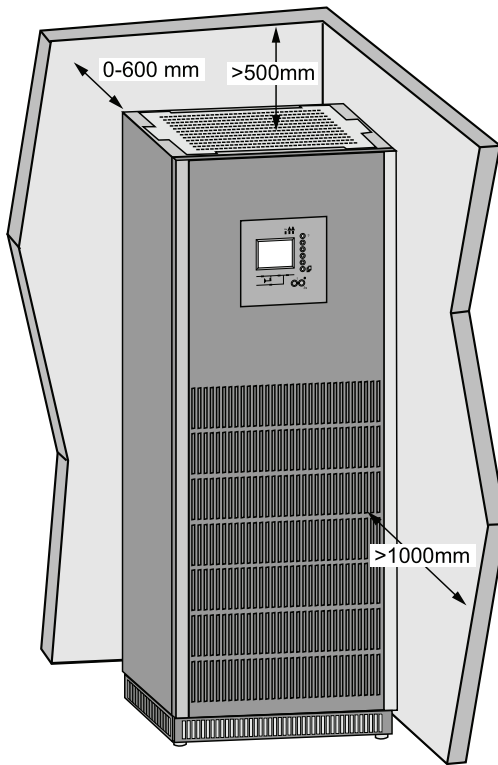
**NOTE:** To ensure correct ventilation, leave nothing on top of the UPS.

**NOTE:** Leave 1000 mm of free space in front of the UPS for door opening.

**NOTE:** The UPS rests on four levelers positioned in the four corners of the cabinet to spread the weight.

**NOTE:** The UPS can be installed up against the wall, but it is preferable to leave some space for maintenance.

## Space Considerations





Schneider Electric

35 rue Joseph Monier  
92500 Rueil Malmaison  
France

+ 33 (0) 1 41 29 70 00

[www.schneider-electric.com](http://www.schneider-electric.com)

As standards, specifications, and design change from time to time, please ask for confirmation of the information given in this publication.

© 2013 – 2016 Schneider Electric. All rights reserved.

990-5234B-001