



QUICK USER MANUAL

Aegis 400 Body Cam User Manual

English

LIMITED WARRANTY

GekoGear provides a one year limited warranty for all of its products against defects in materials and workmanship. During this period, GekoGear will repair or replace any product which proves to be defective. However, GekoGear will not warrant any product which has been subject to improper handling, abuse, negligence, improper installation or unauthorized repair. The warranty will not cover products installed with components not approved by GekoGear and products where the sealed assembly trace has been broken. If you discover a defect, GekoGear will, at its option, repair or replace the product free of charge, provided you return it during the warranty period with freight charges pre-paid to GekoGear. Before returning any product, you must obtain a Return Merchandise Authorization number (RMA). This RMA # must be clearly marked on the outside of the package you are returning for warranty service. Be certain to also include your name, shipping address (no PO Boxes), telephone number, and a copy of the invoice showing proof of purchase in the package.

Disclaimer: Please note that we strongly recommend professional installation of the hardwiring cable. You are free to attempt the installation yourself, however GekoGear and our affiliates will not be held liable for any product and vehicle damage, or personal injuries sustained by you or others during this installation.

SUPPORT

FAQ's: <https://www.mygekogear.com/frequently-asked-questions/>

Email Support: service@mygekogear.com

Telephone Support:

Toll Free: (800) 795-6788

9:00AM to 5:00PM PST Monday - Friday

About This Guide

The content in this document is for information **purposes** and is subject to change without prior notice. We have made every effort to ensure that this User Guide is accurate and complete. However, no liability is assumed for any errors or omissions that may have occurred. The manufacturer reserves the right to change the technical specification and accessories without prior notice.

Caution

Do not expose the battery by placing it in a high temperature environment. If the battery leaks or bulges, stop the usage of the battery. Risk of explosion if the battery is placed incorrectly. Dispose of the used batteries according to the instructions. Never replace the battery on your own. Doing so may cause damage or an explosion. Please have the dealer do it for you. **Do not put the LCD display or lens under direct sunlight.**

EN

Note

A specific emission frequency may influence the image quality. **Please try a few video-quality tests before you formally use this product in order to be familiar with this product.** Always fully charge the battery before use. Never dismantle, crush, or pierce the product, or allow the product to short-circuit. Please inquire for professional assistance if the product doesn't work properly.

Before you start using this product, it is assumed that you agree to the above statement

TABLE OF CONTENTS

1. Introduction
2. Box Contents
3. Product Overview
4. Basic Operation
5. Charging
6. Settings Menu
7. Operation

1. Introduction

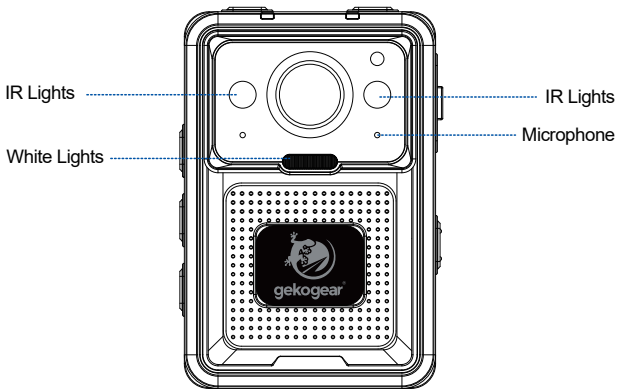
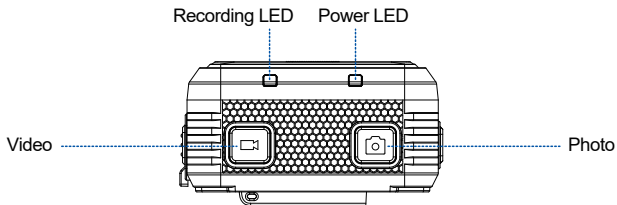
Thank you for purchasing this product. This body camera is designed for video recording, audio recording, and to take photos. Please read the user manual before you begin to use it.

EN

2. Box Contents

- Body Camera
- Charging Dock
- USB Cable
- Chest clip
- Shoulder Clip
- User Manual

3. Product Overview

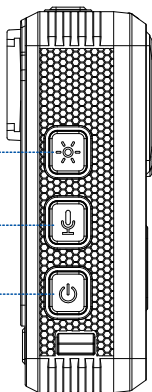


EN

White Light/
Infrared Light

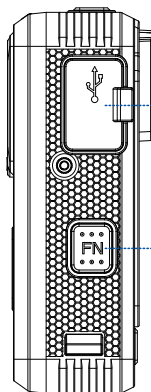
Audio

Power/Screen



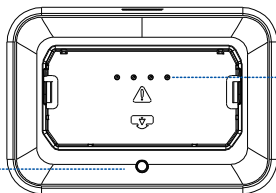
USB-C Port/
Reset

File Lock

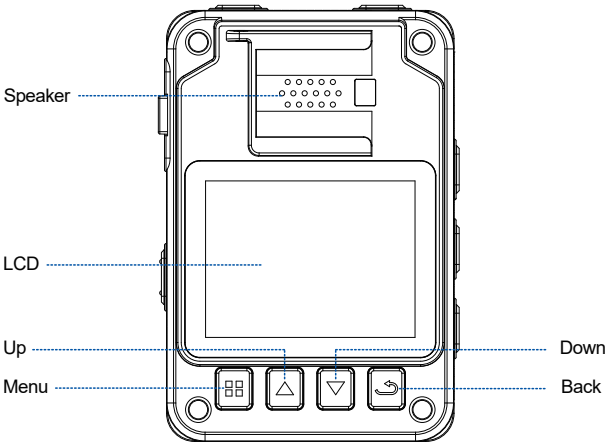
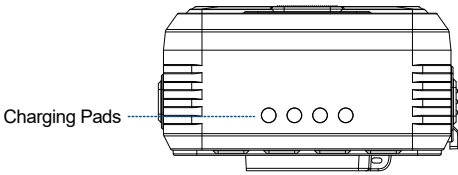


EN

Charge Lamp



Charging Pins



EN

LCD

Remaining recording time

Video Mode

Video Resolution

Battery Status



Audio Icon

Model number

User ID

Date

Time

ID:000001

110.8G | 116.3G

2024/05/15 08:05:30

RTF

Remaining Storage

EN

4. Basic Operation

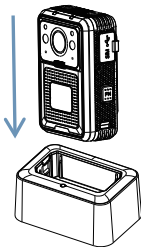
1. Power on: In the off state, short press the power button for two seconds.
2. Standby mode: Press the Ok button to stop recording and enter the standby mode.
3. Power off: In the powered on state, press and hold the power button for three seconds to shut off the body cam.
4. System settings: Short press the Menu button to enter system settings, press the up or down arrow buttons to navigate the settings and press Ok to select the setting.

5. Charging

1. Charging: Use the USB data cable to connect the body cam to the computer for charging. The charging status will show on the LCD screen. The charging indicator will be red when charging, and will turn yellow once charging is complete.

- You can also charge the body cam via the dock by aligning the pins from the body cam to the dock.

Low battery: When the voltage of the battery is too low, the battery power icon in the upper right corner will turn red and begin flashing. The prompted sound will automatically stop after 20 seconds, please charge it in time to avoid losing any data.



6. Settings Menu

Short press the Video button to stop recording and short press the Menu button to go into menu settings. (Default **Password**:00000000)

1. Video Resolution: Choose video resolution between 4K@30fps/2K@30fps/1080P@30fps/720P@30fps/480P@30fps.(Default:4K@30fps)
2. Video Segmentation: Choose video segmentation between 5/10/15/20/25/30 minutes. (Default:20 Minutes)
3. Loop Recording: Short press the "Menu" **button to view the selection box**, press the "up" button or "down" button to select on/off, and then press the "Menu"button to confirm. (Default:On)
4. Preliminary recording: Short press the "Menu" **button to view the selection box**, press the "up" button or "down" button to select on/off, and then press the "Menu" button to confirm.
5. Delay Record: Choose the desired delay recording between Off/5 seconds/10 seconds/ 15 seconds/30 seconds/1 Minute/ 5 Minutes.(Default:Off)
6. Motion Detection: Short press the "Menu" **button to view the selection box**, press the "up" button or "down" button to select on/off, and then press the "Menu"button to confirm. (Default:Off)
7. Auto Record: Short press the "Menu" **button to view the selection box**, press the "up" button or "down" button to select the on/off, and then press the "Menu" button to confirm. (Default:Off)
8. Car Mode: Short press the "Menu" **button to view the selection box**, press the"up" button or "down" button to select the desired option, and then press the "Menu" button to confirm. (Default:Off)
9. WDR:Short press the "Menu" **button to view the selection box**, press the"up" button or "down" button to select the desired option, and then press the "Menu" button to confirm. (Default:On)

10. Date Stamp: Short press the "Menu" **button to view the selection box**, press the "up" button or "down" button to select the desired option, and then press the "Menu" button to confirm.(Default:On)
11. Coding code: Choose the recording code between H.264/H.265.(Default:H.265)
12. Image Size: Choose the desired image resolution between 3/5/8/10/12/16/21/36/40MP. (Default:16M)
13. Burst : Choose the desired **photo** burst between Off/ 3/ 5/ 10 photos.(Default:Off)
14. EIS:Short press the "Menu" **button to view the selection box**, press the "up" button or "down" button to select on/off, and then press the "Menu"button to confirm.(Default:Off)
15. IR CUT:Short press the "Menu" **button to view the selection box**, press the "up" button or "down" button to select Auto/Manual, and then press the "Menu"button to confirm. (Default:Manual)
16. GPS:Short press the "Menu" **button to view the selection box**, press the "up" button or "down" button to select On/Off, and then press the "Menu"button to confirm.(Default:On)
17. GPS Information:Short press the "Menu" **button to view the GPS information**.
18. Time Zone:Choose Time Zone between W1/W2/W3/W4/W5/W6/W7/W8/W9/W10/W11 /W12/O/E1/E2/E3/E4/E5/E6/E7/E8/E9/E10/E11/12.(Default:W7)
19. Date/Time: Choose the desired date and time for your recordings and photos.
20. AutoPower Off: Choose the desired power off settings when the bodycam is not being used between Off/ 3/ 5/ 10 minutes. (Default: 3 Minutes)
21. Screen Saver: Choose the desired time to have the screen shut off between Off/ 1/2/ 3/ 5/ 10 minutes.(Default: 1 Minutes)
22. Volume: Choose between having an audible beep on/off when pressing the buttons. between Mute/1/2/3/4/5/6/7/8/9/10. (Default:10)
- 23.Shock:Short press the "Menu" **button to view the selection box**, press the "up" button or "down" button to select On/Off, and then press the "Menu" button to confirm.(Default:On)
24. Language: Choose the desired language between English/French/Spanish/Portugues/ Deutsch/Italian.(Default: English)

25. **Frequency:** Choose the desired frequency between 50Hz/60Hz.

26. **Police ID:** Choose the desired Police ID number for the user, up to 6 digits.

27. **Camera ID:** Choose the device ID number for the body cam, up to 7 digits.

28. **Camera Password:** Choose between having a password for protection or no password.
(Default: On)

29. **Change Password:** Change the password saved by the user.(Default: 00000000)

30. **Default Setting:** Set the body cam back to default settings, erasing all settings done by the user.

31. **Format:** Erase all saved videos and pictures. Please make sure all files are backed-up before choosing this option.

36. **Version:** View current version.

7. Operation

1. **Record Videos:** In the powered on state, press the "Video" button to start recording, and the red camera icon on the upper left corner of the screen and a Red LED in the front will start to flash slowly during recording. Press the "Video" button again to stop recording, the LED indicator turns off, the video file is automatically saved to the memory card, the screen automatically returns to the camera preview screen, and the video is named after the date and time, which is the MP4 suffix and saved in the memory card. For viewing the video, please refer to the "Playback" section. During the recording process, press the "Photo" button to take a picture and save it automatically. The video recording will not be interrupted during this process.

2. **Take Photos:** Press the "Photo" button to take a picture and automatically save it, and then return to the photo preview screen. During the photo process, there will be an audible click sound, and a red led in the front will flash, the button is pressed each time to take a photo. The photos are named after the date and time, JPG suffix, and saved in the memory card. For viewing photos, please refer to the "Playback" section.

3. Record Audio Files: Stop recording to go into the standby mode, short press the “Audio” button to record. In the recording state, the display shows the recording interface and the recording time, the blue led at the top will start flashing. Press the “Audio” button again to stop recording and return to the standby mode, and the audio file is automatically saved.

4. IR Night Vision: Short press the “Night vision” button, you can manually turn on/off the infrared lights. It is suitable for night time shooting. In the infrared mode, the video is black and white; The camera can also support automatic infrared mode, during this mode, the camera automatically detects the environment brightness and chooses to turn on or off the infrared mode.

5. Motion Detection: When there is a moving object within the shooting frame of the camera, the camera will automatically start video recording and save the video file automatically.

6. File Lock: During video recording, short press the “FN” button, a key icon **will appear** at the top of the screen, the marked video will not be automatically deleted when loop recording is turned on. When the recording stops, the mark will be removed.

7. Deleting Files: In this body cam, you can't delete videos, photos, or audio files saved on the memory card. You can only format the microSD card directly in the settings, or connect to a PC to delete the files.

8. Playback: The camera can support playback on the display screen, In the standby mode, **long** press the “Menu” button to enter the playback interface. Press the up and down buttons to navigate the files and press the “Menu” button to confirm. Press the “Menu” button to play or pause.

9. Reset: When the camera crashes or stops responding due to improper operation or other reasons, you can press the reset button with the tip of a pen or a similar item.

Be careful to not use excessive force, the body cam will turn off and settings will be saved.

10. LED Indications: In the powered on state, the green LED will be flash.

In the video recording mode, the red LED will flash .

In the audio recording mode, the blue LED will flash.

In the charging state, the LED indicator is red and when the charging is complete the LED will be yellow.

In the powered on state, when you take a photo, the LED will flash Red .

In standby mode, the body cam will have a steady green LED.

11. Infrared light / White Light: In the powered on state, long press the “White Light” button to turn on the white light, Long press again to turn off white light.

Short press the “White Light” button to turn on the Infrared light, Short press again to turn off Infrared light.

12. WIFI: The body cam has a wifi feature. It can be used as an APP to send out a hotspot. The mobile phone can connect to this hotspot to view the recording real-time screen and view the historical recording of the camera.

It is different **from** the commonly used WIFI concept, the camera can't connect to the WIFI signal sent by routers and other devices, but the camera itself sends out a WIFI signal, and the mobile phone connects to this signal. Long press the “Photo” button to display the WIFI hotspot and password on the screen.

SSID:Aegis 400, WPA2:12345678.

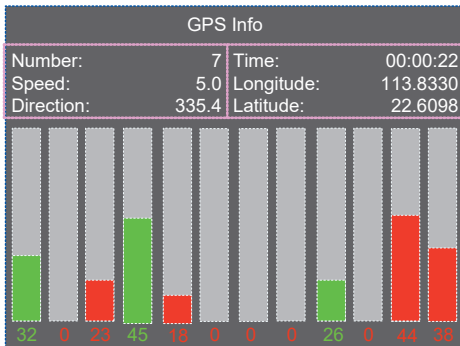
After the phone is connected to WIFI, enter the **GekoGear** APP to operate, and the APP can be downloaded from the Apple Android App Store.

13. Connect To a Computer: There are two version, no encryption - after the body cam is turned on, use the USB cable to connect to the computer without recording. No driver is required. The corresponding drive letter will appear on the computer.

With encryption - after the body cam is turned on, use the USB cable to connect to the computer. The body cam will prompt for a password, the default password is 00000000.

After the the password is successfully entered, the corresponding drive letter will appear on the computer.

14. GPS: This body cam has an optional GPS function, after turning GPS on in the settings, the GPS icon will show on the display. The icon is gray before the GPS locates the position, and then turns green after it locates the position. In the settings, you can check GPS information as the pictures below illustrate. The first time the body cam searches for a signal will take longer. Please take the body cam to an open area to get a position located faster.



EN

After the GPS is turned on, during video recording, the body cam will save GPS information in a separate file. Please use the GPS player offered to playback the GPS videos. Once you open the GPS player, add or drag the GPS videos you would like to view and you will be able to see detail location, speed, distance, etc.

Specifications

Sensor	8MP
Photo Resolution	Up to 36MP
Video Resolution	3840*2160@30fps,2560*1440@30fps, 2560*1080@30fps,1920*1080@30fps, 1280*720@30fps, 1280*720@25fps,1280*720@20fps,864*480@30fps
IP Rating	IP67
Night Vision	Up to 15 meters
Stamp	ID+Date+Time
White Light	Supported
Battery Capacity	2650mAh
Laser Light	Supported
Drop Resistant	2 meters
Split Storage	5min/10min/15min/20min/25min/30min
Operating Duration	8.5 Hours
Auto IR	Supported
Display	2" Screen
Speaker	Supported
Language	English, French, Spanish, Portugese and more
View Angle	140°
Dimensions	3.3 x 2.2 x 1.3" (84 x 56 x 33 mm)

EN

Need more information? Visit our website via www.gekogear.com
Feel free to contact our service team at service@gekogear.com if you have any additional questions.



MANUEL D'UTILISATION RAPIDE

Manuel d'utilisation de la caméra corporelle Aegis 400

Français

GARANTIE LIMITÉE

GekoGear offre une garantie limitée d'un an pour tous ses produits contre défauts de matériaux et de fabrication. Pendant cette période, GekoGear réparera ou remplacera tout produit qui s'avère défectueux. Cependant, GekoGear ne sera pas garantir tout produit ayant fait l'objet d'une mauvaise manipulation, d'abus, négligence, mauvaise installation ou réparation non autorisée. La garantie ne sera pas couvrir les produits installés avec des composants non approuvés par GekoGear et produits dont la trace d'assemblage scellée a été rompue. Si vous découvrez un défaut, GekoGear réparera ou remplacera gratuitement, à sa discrétion, le produit, à condition vous le renvoyez pendant la période de garantie avec les frais de transport prépayés à GekoGear. Avant de retourner un produit, vous devez obtenir un retour de marchandise Numéro d'autorisation (RMA). Ce numéro RMA doit être clairement indiqué à l'extérieur de le colis que vous envoyez pour le service de garantie. Assurez-vous d'inclure également votre nom, adresse de livraison (pas de boîtes postales), numéro de téléphone et une copie de la facture montrant la preuve d'achat dans le colis.

Avis de non-responsabilité : veuillez noter que nous recommandons fortement aux professionnels installation du câble fixe. Vous êtes libre de tenter le installez vous-même, cependant GekoGear et nos affiliés ne seront pas tenus responsables pour tout dommage au produit et au véhicule, ou les blessures corporelles subies par vous ou d'autres lors de cette installation.

SOUTIEN

FAQ's: <https://www.mygekogear.com/frequently-asked-questions/>

Assistance par e-mail: service@mygekogear.com

Assistance téléphonique:

Toll Free: (800) 795-6788

9:00AM to 5:00PM PST Monday - Friday

À propos de ce guide

Le contenu de ce document est à titre informatif et est susceptible d'être modifié sans préavis. Nous avons fait tout notre possible pour garantir que ce guide de l'utilisateur est exact et complet. Cependant, aucune responsabilité n'est assumée pour les erreurs ou omissions qui pourraient avoir s'est produit. Le fabricant se réserve le droit de modifier les spécifications techniques et accessoires sans préavis.

Prudence

N'exposez pas la batterie placée dans un environnement à haute température. Si la batterie fuit ou Renflements, arrêtez d'utiliser. Risque d'explosion si la batterie est placée d'un type incorrect. Se débarrasser piles usagées conformément aux instructions. Ne remplacez jamais la batterie vous-même. Faire cela pourrait provoquer des dommages ou une Veuillez demander au concessionnaire de le faire pour vous. Ne met pas l'écran LCD ou l'objectif sous le soleil.

Note

Une fréquence d'émission spécifique peut influencer la qualité de l'image. Veuillez essayer plusieurs fois test de prise de vidéo avant d'utiliser formellement ce produit afin de vous familiariser avec ce produit. Chargez toujours complètement la batterie avant utilisation. Ne jamais démonter, écraser ou percer le produit, ou laissez le produit se court-circuiter. Veuillez demander une assistance professionnelle si le produit ne fonctionne pas correctement.

Avant de commencer à utiliser ce produit, il est supposé que vous acceptez la déclaration ci-dessus

TABLE DES MATIÈRES

1. Introduction
2. Contenu de la boîte
3. Présentation du produit
4. Fonctionnement de base
5. Chargement
6. Menu Paramètres
7. Fonctionnement

1. Introduction

Merci d'avoir acheté ce produit. Cette caméra corporelle est conçue pour l'enregistrement vidéo, audio l'enregistrement et la prise de photos. Veuillez lire le manuel d'utilisation avant de commencer à l'utiliser.

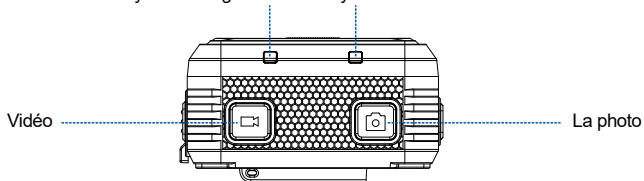
FR

2. Contenu de la boîte

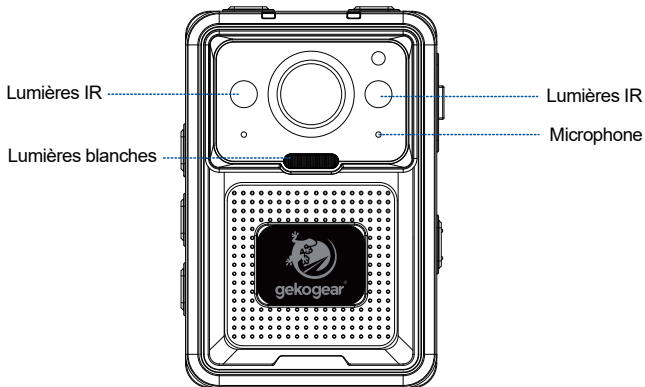
- Caméra corporelle
- Station de chargement
- Cable USB
- Clip de poitrine
- Clip d'épaule
- Manuel de l'Utilisateur

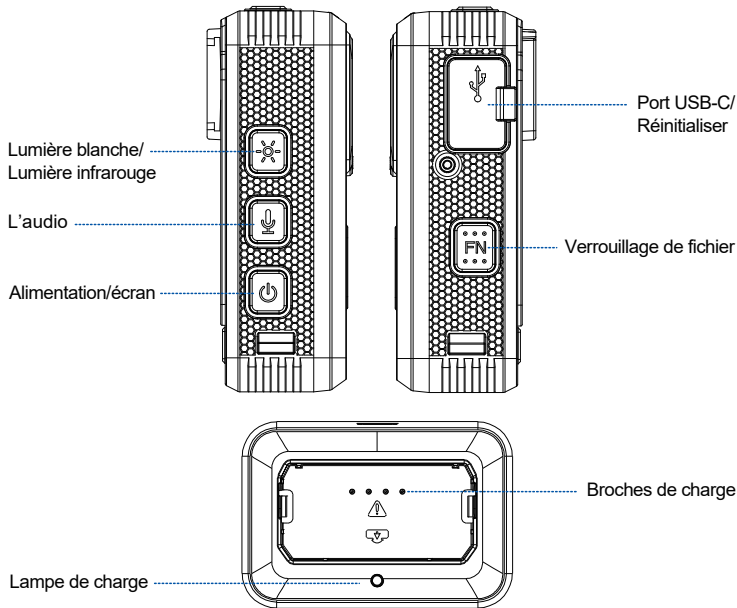
3. Présentation du produit

Voyant d'enregistrement Voyant d'alimentation

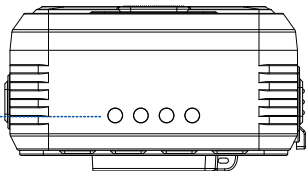


FR





Plaquettes de charge

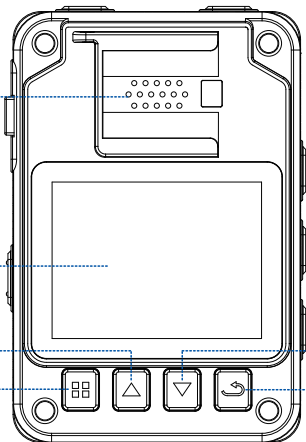


Conférencier

LCD

Vers le haut

Le menu



Vers le bas

Retour

LCD



FR

4. Opération de base

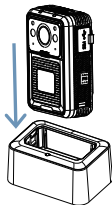
1. Mise sous tension : Dans l'état d'éteint, appuyez courte sur le bouton d'alimentation pendant deux secondes.
2. Mode veille : Appuyez sur le Ok bouton pour arrêter l'enregistrement et entrer en mode veille.
3. Mise hors tension : Dans l'état sous tension, appuyez sur le bouton d'alimentation et maintenez-le enfoncé pendant trois secondes pour éteindre la caméra corporelle.
4. Paramètres système : Appuyez courte sur le Bouton Menu pour entrer les paramètres système, appuyez sur le haut ou les boutons fléchés vers le bas pour naviguer dans les paramètres et appuyez sur Ok pour sélectionner le paramètre.

5. Mise en charge

1. Chargement : Utilisez le câble de données USB pour connecter la caméra corporelle à l'ordinateur pour le chargement. L'état de charge s'affichera sur l'écran LCD. L'indicateur de charge sera rouge lorsque charge, et deviendra jaune une fois que la charge est terminée.

- Vous pouvez également charger la caméra corporelle via la station d'accueil en alignant les broches de la caméra corporelle au quai.

Batterie faible : Lorsque la tension de la batterie est trop faible, l'icône d'alimentation de la batterie dans la partie supérieure le coin droit deviendra rouge et commencera à clignoter. Le son invité s'arrêtera automatiquement après 20 secondes, veuillez le charger à temps pour éviter de perdre des données.



6. Menu Paramètres

Appuyez courte sur le bouton Vidéo pour arrêter l'enregistrement et appuyez courte sur le bouton Menu pour entrer dans paramètres de menu. (PassWord par défaut :000000000)

1. Résolution vidéo : Choisissez la résolution vidéo entre 4K@30fps / 2K@30fps / 1080P@30fps/720P@30fps/480P@30fps.(Par défaut :4K@30fps)
2. Segmentation vidéo : Choisissez la segmentation vidéo entre 5/10/15/20/25/30 minutes. (Par défaut : 20 minutes)
3. Enregistrement de boucle : Appuyez brièvement sur le bouton « Menu » pour faire apparaître la case à cocher, appuyez sur le « up » bouton ou bouton « vers le bas » pour sélectionner on / off, puis appuyez sur le bouton « Menu » pour confirmer.(Par défaut :On)
4. Enregistrement préliminaire : Appuyez brièvement sur le bouton « Menu » pour faire apparaître la case à cocher, appuyez sur le bouton Bouton « haut » ou bouton « bas » pour sélectionner on / off, puis appuyez sur le bouton « Menu » pour confirmer.
5. Enregistrement de retard : Choisissez l'enregistrement désiré de retard entre Off/5 secondes/10 secondes/ 15 secondes/30 secondes/1 minute/ 5 minutes. (Par défaut :Off)
6. Détection de mouvement : Appuyez courte sur le bouton « Menu » pour faire apparaître la case à cocher, appuyez sur le « up » bouton ou bouton « vers le bas » pour sélectionner on / off, puis appuyez sur le bouton« Menu » pour confirmer.(Par défaut :Off)
7. Enregistrement automatique : Appuyez brièvement sur le bouton « Menu » pour faire apparaître la case à cocher, appuyez sur le « up » bouton ou bouton « bas » pour sélectionner l'on / off, puis appuyez sur le bouton « Menu » pour confirmer.(Par défaut :Off)
8. Mode voiture : Appuyez courte sur le bouton « Menu » pour faire apparaître la case à cocher, appuyez sur le bouton « haut » ou bouton « vers le bas » pour sélectionner l'option souhaitée, puis appuyez sur le bouton « Menu » pour confirmer.(Par défaut :Off)
9. WDR : Court appuyez sur le bouton « Menu » pour faire apparaître la case à cocher, appuyez sur le bouton « haut » ou bouton « vers le bas » pour sélectionner l'option souhaitée, puis appuyez sur le bouton « Menu » pour confirmer.(Par défaut :On)

10. Timbre de date : Appuyez courte sur le bouton « Menu » pour faire apparaître la case à cocher, appuyez sur le « up » bouton ou bouton « vers le bas » pour sélectionner l'option souhaitée, puis appuyez sur le bouton « Menu » pour confirmer. (Par défaut :On)

11. Code de codage : Choisissez le code d'enregistrement entre H.264 / H.265.

(Par défaut :H.265)

12. Taille de l'image : Choisissez la résolution d'image souhaitée entre 3/5/8/10/12/16/21/36/40MP. (Par défaut :16M)

13. Rafale :Choisissez l'éclatement de prise de vue souhaité entre Off / 3 / 5 / 10 photos.

(Par défaut :Off)

14. EIS :Court appuyez sur le bouton « Menu » pour faire apparaître la case à cocher, appuyez sur le bouton « haut » ou Bouton « bas » pour sélectionner on / off, puis appuyez sur le bouton « Menu » pour confirmer. (Par défaut :Off)

15. IR CUT :Short appuyez sur le bouton « Menu » pour faire apparaître la case à cocher, appuyez sur le bouton « up » ou le bouton « vers le bas » pour sélectionner Auto / Manuel, puis appuyez sur le bouton « Menu » pour confirmer.(Par défaut :Manuel)

16. GPS : Court appuyez sur le bouton « Menu » pour faire apparaître la case à cocher, appuyez sur le bouton « haut » ou Bouton « vers le bas » pour sélectionner On / Off, puis appuyez sur le bouton « Menu » pour confirmer. (Par défaut :On)

17. Informations GPS :Court appuyez sur le bouton « Menu » pour faire apparaître la case à cocher pour afficher Informations GPS.

18.Fuseau horaire :Choisissez le fuseau horaire entre W1/W2/W3/W4/W5/W6/W7/W8/W9/W10/W11/W12/O/E1/E2/E3/E4/E5/E6/E7/E8/E9/E10/E11/12. (Par défaut :W7)

19. Date/heure : Choisissez la date et l'heure souhaitées pour vos enregistrements et photos.

20. AutoPower Off : Choisissez les paramètres de mise hors tension souhaités lorsque la caméra corporelle n'est pas utilisé entre Off / 3 / 5 / 10 minutes. (Par défaut : 3 minutes)

21. Économiseur d'écran : Choisissez l'heure souhaitée pour que l'écran s'éteigne entre Off / 1/2 / 3 /5/ 10 minutes. (Par défaut : 1 minute)

22. Volume : Choisissez entre avoir un bip sonore allumé / éteint lorsque vous appuyez sur les boutons.entre Mute/1/2/3/4/5/6/7/8/9/10. (Par défaut :10)

23.Shock :Court appuyez sur le bouton « Menu » pour faire apparaître la case à cocher, appuyez sur le bouton « up » ou Bouton « vers le bas » pour sélectionner On / Off, puis

appuyez sur le bouton « Menu » pour confirmer. (Par défaut :On)

24. Langue : Choisissez la langue souhaitée entre anglais / français / espagnol / portugues / Deutsch / Italien. (Par défaut : anglais)

5. Fréquence : Choisissez la fréquence souhaitée entre 50Hz / 60Hz.

26. Id de police : Choisissez le numéro d'identification de police désiré pour l'utilisateur, jusqu'à 6 chiffres.

27. ID de l'appareil photo : Choisissez le numéro d'identification de l'appareil pour la caméra corporelle, jusqu'à 7 chiffres.

28. Mot de passe de l'appareil photo : Choisissez entre avoir un mot de passe pour la protection ou pas de mot de passe.

(Par défaut : On)

29. Changer le mot de passe : Modifiez le mot de passe enregistré par l'utilisateur.

(Par défaut : 000000000)

30. Paramètre par défaut : Réglez la caméra corporelle sur les paramètres par défaut, en effaçant tous les paramètres effectués par l'utilisateur.

31. Format : Effacez toutes les vidéos et images enregistrées. Veuillez vous assurer que tous les fichiers sont sauvegardés avant de choisir cette option.

36. Version : Voir la version actuelle.

7. Opération

1. Enregistrer des vidéos : Dans l'état sous tension, appuyez sur le bouton « Vidéo » pour commencer l'enregistrement, et l'icône de la caméra rouge dans le coin supérieur gauche de l'écran et une LED rouge à l'avant commence à clignoter lentement pendant l'enregistrement.

Appuyez à nouveau sur le bouton « Vidéo » pour arrêter l'enregistrement, le L'indicateur LED s'éteint, le fichier vidéo est automatiquement enregistré sur la carte mémoire, l'écran revient automatiquement à l'écran d'aperçu de la caméra, et la vidéo est nommée d'après la date et le temps, qui est le suffixe MP4 et enregistré dans la carte mémoire. Pour visionner la vidéo, veuillez vous référer à la section « Lecture ». Pendant le processus d'enregistrement, appuyez sur la touche « Photo » pour prendre une photo et l'enregistrer automatiquement.

L'enregistrement vidéo ne sera pas interrompu au cours de ce processus.

2. Prendre des photos : Appuyez sur le bouton « Photo » pour prendre une photo et l'enregistrer automatiquement, puis puis revenez à l'écran d'aperçu de la photo. Pendant le processus de photo, il y aura un clic audible son, et une led rouge à l'avant clignotera, le bouton est enfoncé à chaque fois pour prendre une photo. Les photos sont nommées d'après la date et l'heure, le suffixe JPG et sont enregistrées dans la carte mémoire. Pour visionner des photos, veuillez vous référer à la section « Lecture ».

3. Enregistrer des fichiers audio : Arrêtez l'enregistrement pour passer en mode veille, appuyez brièvement sur le « Audio » pour enregistrer. Dans l'état d'enregistrement, l'affichage affiche l'interface d'enregistrement et le temps d'enregistrement, la led bleue en haut va commencer à clignoter. Appuyez à nouveau sur le bouton « Audio » pour arrêter l'enregistrement et revenez au mode veille, et le fichier audio est automatiquement enregistré.

4. Vision nocturne IR : Appuyez brièvement sur le bouton « Vision nocturne », vous pouvez activer / désactiver manuellement le lumières infrarouges. Il convient au tir de nuit. En mode infrarouge, la vidéo est noire et blanc ; La caméra peut également prendre en charge le mode infrarouge automatique, pendant ce mode, le la caméra détecte automatiquement la luminosité de l'environnement et choisit d'activer ou d'éteindre le mode infrarouge.

5. Détection de mouvement : Lorsqu'il y a un objet en mouvement dans le cadre de prise de vue de la caméra, la caméra démarrera automatiquement l'enregistrement vidéo et enregistrera automatiquement le fichier vidéo.

6. Verrouillage de fichier : Pendant l'enregistrement vidéo, appuyez brièvement sur le bouton « FN », une icône de touche s'adressera à en haut de l'écran, la vidéo marquée ne sera pas automatiquement supprimée lors de l'enregistrement en boucle est activé. Lorsque l'enregistrement s'arrête, la marque sera supprimée.

7. Suppression de fichiers : Dans cette caméra corporelle, vous ne pouvez pas supprimer des vidéos, des photos ou des fichiers audio enregistrés sur la carte mémoire. Vous pouvez uniquement formater la carte microSD directement dans les paramètres ou vous connecter à un PC pour supprimer les fichiers.

8. Lecture : L'appareil photo peut prendre en charge la lecture sur l'écran d'affichage, En mode veille, longg appuyez sur le bouton « Menu » pour entrer dans l'interface de lecture. Appuyez sur les boutons haut et bas pour naviguer dans les fichiers et appuyez sur le bouton « Menu » pour confirmer. Appuyez sur le bouton « Menu » pour lire ou une

pause.

9. Réinitialisation : Lorsque la caméra se bloque ou cesse de répondre en raison d'un mauvais fonctionnement ou autre raisons, vous pouvez appuyer sur le bouton de réinitialisation avec la pointe d'un stylo ou d'un élément similaire.

Veillez à ne pas utiliser une force excessive, la caméra corporelle s'éteindra et les paramètres seront enregistrés.

10. Indications led : Dans l'état sous tension, la LED verte sera flash.

En mode d'enregistrement vidéo, la LED rouge clignotera .

En mode d'enregistrement audio, la LED bleue clignotera.

Dans l'état de charge, l'indicateur LED est rouge et lorsque la charge est terminée, la LED sera jaune.

Dans l'état sous tension, lorsque vous prenez une photo, la LED clignotera en rouge .

En mode veille, la caméra corporelle restera avec une LED verte et silencieuse.

11. Lumière infrarouge / Lumière blanche : Dans l'état sous tension, appuyez longuement sur le bouton « Lumière blanche »

pour allumer la lumière blanche, Long appuyez à nouveau pour éteindre la lumière blanche. Appuyez courte sur le bouton « Lumière blanche » pour allumer la lumière infrarouge, Appuyez à nouveau sur court pour tourner hors lumière infrarouge.

12. WIFI : La caméra corporelle a une fonction wifi. Il peut être utilisé comme une application pour envoyer un hotspot.

Le téléphone mobile peut se connecter à ce point d'accès pour afficher l'écran d'enregistrement en temps réel et voir l'enregistrement historique de la caméra. C'est différent avec le concept WIFI couramment utilisé, l'appareil photo ne peut pas se connecter au WIFI signal envoyé par les routeurs et autres appareils, mais la caméra elle-même envoie un signal WIFI, et le téléphone mobile se connecte à ce signal. Appuyez longuement sur le bouton « Photo » pour afficher le Hotspot WIFI et mot de passe à l'écran.

SSID: Aegis 400, WPA2 :12345678.

Une fois le téléphone connecté au WIFI, entrez l'application GekoGear pour fonctionner et l'application peut être téléchargé à partir de l'App Store Android d'Apple.

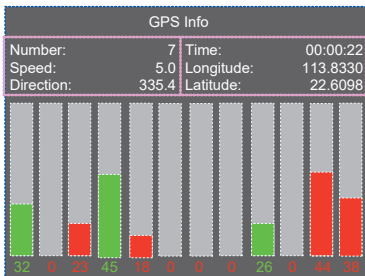
13. Connectez-vous à un ordinateur : Il y a deux versions, pas de cryptage - après que la caméra corporelle est allumé, utilisez le câble USB pour vous connecter à l'ordinateur sans enregistrement.

Aucun conducteur n'est requis. La lettre de lecteur correspondante apparaîtra sur l'ordinateur. Avec le cryptage - une fois la caméra corporelle allumée, utilisez le câble USB pour vous connecter au ordinateur. La caméra corporelle vous demandera un mot de passe, le mot de passe par défaut est 00000000.

Une fois le mot de passe entré avec succès, la lettre de lecteur correspondante apparaîtra sur l'ordinateur.

14. GPS : Cette caméra corporelle a une fonction GPS en option, après avoir allumé le GPS dans les paramètres, l'icône GPS s'affichera sur l'écran. L'icône est grise avant que le GPS ne localise la position, puis tourne au vert après avoir localisé la position. Dans les paramètres, vous pouvez vérifier GPS inform-comme l'illustrent les images ci-dessous. La première fois que la caméra corporelle recherche un signal sera prennent plus de temps.

S'il vous plaît prendre la caméra de corps à une zone ouverte pour obtenir une position située plus rapidement.



Une fois le GPS allumé, pendant l'enregistrement vidéo, la caméra corporelle enregistrera le GPS informer-ment dans un fichier séparé. Veuillez utiliser le lecteur GPS proposé pour lire les vidéos GPS. Une fois que vous avez ouvert le lecteur GPS, ajoutez ou faites glisser les vidéos GPS que vous souhaitez afficher et vous pourrez voir l'emplacement des détails, la vitesse, la distance, etc.

Caractéristiques

Capteur	8MP
Résolution des photos	Jusqu'à 36MP
Résolution vidéo	3840*2160@30fps, 2560*1440@30fps, 2560*1080@30fps, 1920*1080@30fps, 1280*720@30fps, 1280*720@25fps, 1280*720@20fps, 864*480@30fps
Indice IP	IP67
Vision nocturne	Jusqu'à 15 mètres
Timbre	ID+Date+Heure
Lumière blanche	Prise en charge
Capacité de la batterie	2650mAh
Lumière laser	Prise en charge
Résistant aux chutes	2 mètres
Stockage fractionné	5min/10min/15min/20min/25min/30min
Durée de fonctionnement	8,5 heures
IR automatique	Prise en charge
Afficher	Écran 2"
Conférencière	Prise en charge
Langue	Anglais, français, espagnol, portugais et plus
Angle de vue	140°
Dimensions	3.3 x 2.2 x 1.3" (84 x 56 x 32 mm)

Besoin de plus d'informations? Visitez notre site Web via www.mygekogear.com
N'hésitez pas à contacter notre équipe de service à service@mygekogear.com
si vous avez des questions supplémentaires.