

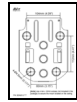
# Professional PTZ Camera

## Quick Start Guide

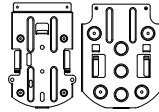
### Package Contents



Camera Unit



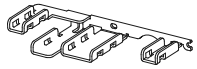
Drilling Paper



Ceiling Mount Bracket (x2)



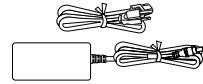
Quick Start Guide



Cable Fixing Plate



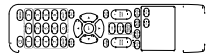
M2 x 4mm Screw (x3)



Power Adapter & Power Cord



1/4"-20 L=6.5mm Screw (x2)



Remote Control



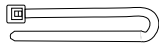
M3 x 6mm Screw (x3)



DIN8 to D-Sub9 Cable

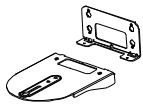


RS-232 In/Out Y Cable

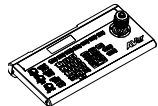


Cable Ties (x4)

### Optional Accessories



Wall Mount Bracket



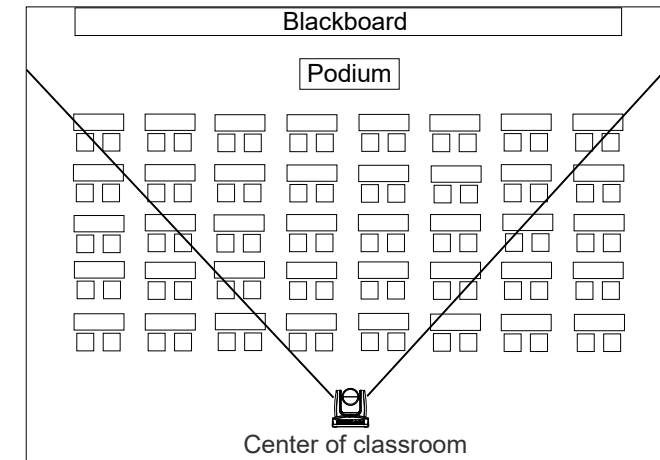
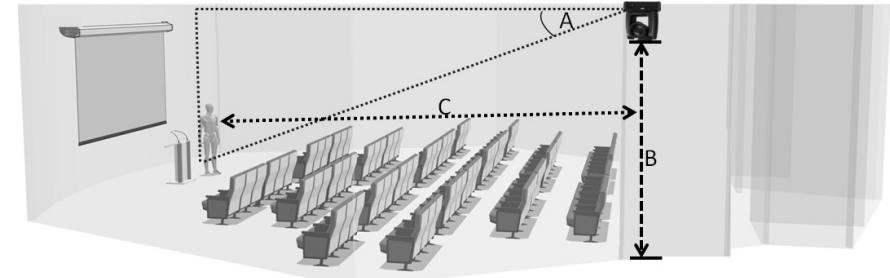
Camera Controller (CL01)

\* For detail on optional accessories, consult your local dealer.

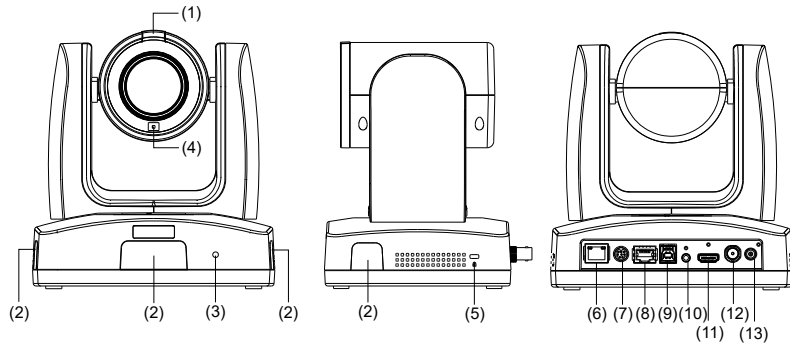
### Camera Installation

- **Angle A:** less than 30°
- **Height B:** 2~3m from floor
- **Distance C:** longer than 3m away from podium
- **Position:** center of classroom
- **Distance between the camera and the target (presenter):**

Optical zoom ratio ability	Upper body size	Full body size
12X	3~16m	3~28m
16X	3~30m	4~55m
21X	3~40m	4~65m
30X	3~44m	3~76m



## Overview



- (1) Tally Lamp
- (2) IR Sensor
- (3) LED Indicator
- (4) Light Sensor\*
- (5) Kensington Lock
- (6) PoE+ IEEE 802.3AT
- (7) RS-232 Port
- (8) RS-422 Port
- (9) USB 3.0 Port (Type B)
- (10) Audio In
- (11) HDMI Port
- (12) 3G-SDI\*\*
- (13) DC Power Jack

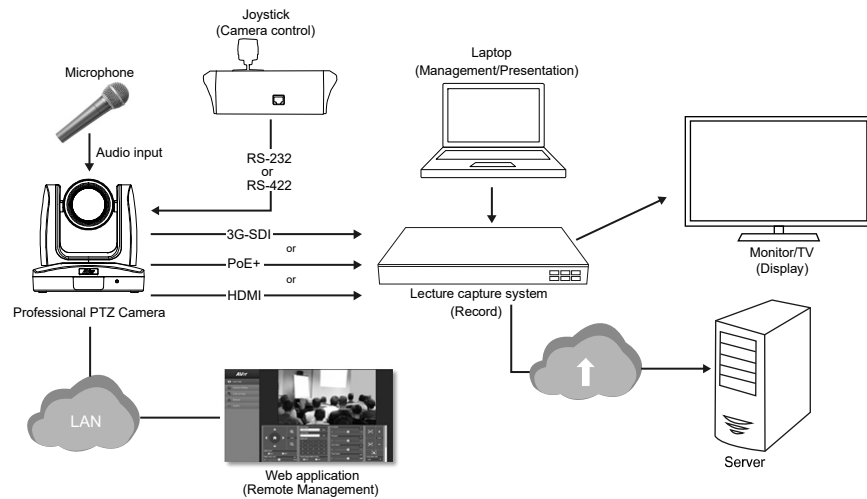
\* The model names with "I" have this feature.

\*\* The model names with "H" do not have this feature.

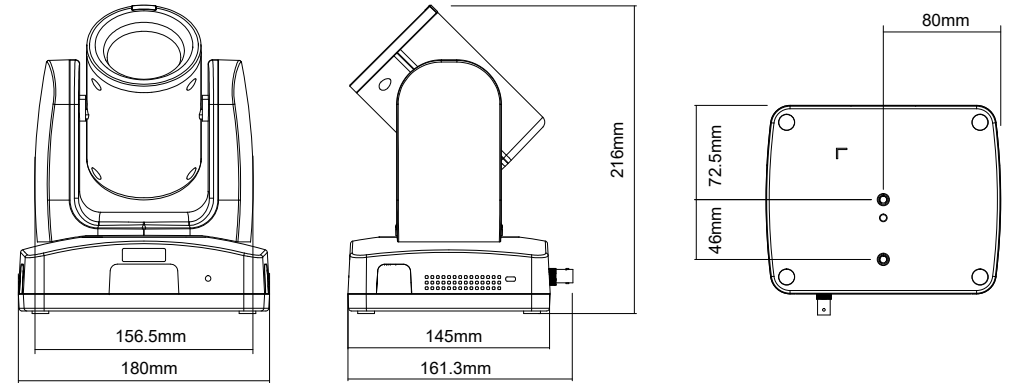
## LED Indicator

LED	Status	LED	Status
Blue (Blinking)	SmartFrame	Orange (Blinking)	Camera Initialization
Blue (Solid)	Normal Operation	Orange (Solid)	Standby
Red (Blinking)	FW Updating	Purple(Blinking)	SmartShoot

## Connections

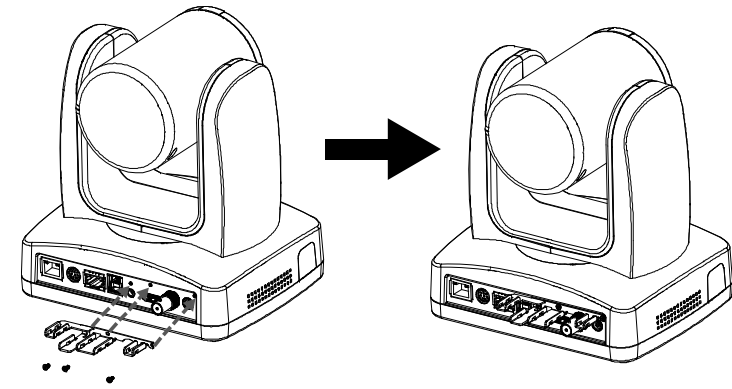


## Dimensions

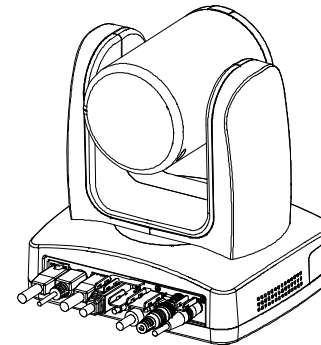


## Cable Fixing Plate Installation

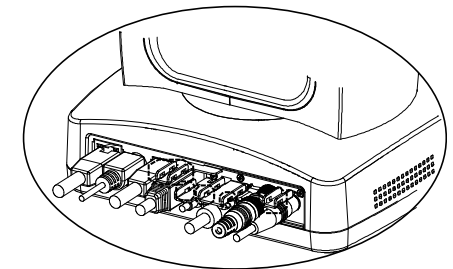
1. Secure the cable fixing plate to the camera with 3 M2 x 4mm screws (included in the package).



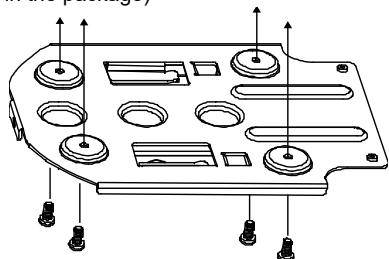
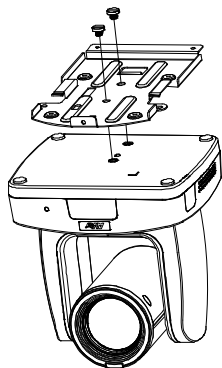
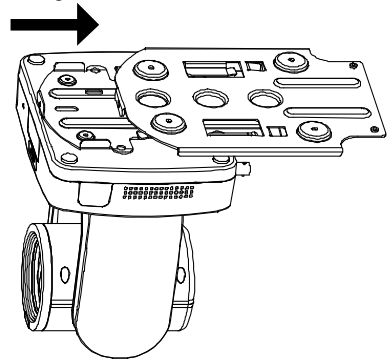
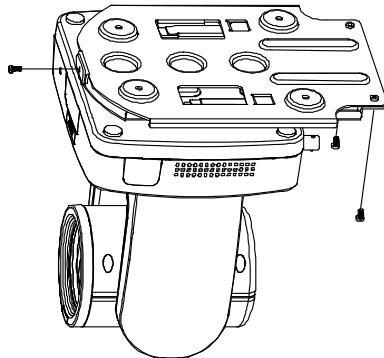
2. Plug in cables.



3. Use 4 cable ties to secure the cables and cable fixing plate.



## Ceiling Mount Installation

<p>1. Secure the mount bracket on the ceiling. Screw: 4 screws, M4 x 10mm (Not Included in the package)</p> 	<p>2. Install the mount bracket on the camera. Screw: 2 screws, 1/4"-20 L=6.5mm (Included in the package)</p> 
<p>3. Slide the mount bracket with the camera into the mount bracket which secured on the ceiling.</p>  <p><b>[Note]</b> Connect necessary cables after sliding the camera into the mount bracket.</p>	<p>4. Secure the camera with screws. Screw: 3 screws, M3 x 6mm (Included in the package)</p> 

## Remote Control

The remote control requires two (2) "AAA" size batteries, make sure batteries are installed properly before use.

	Name	Function
(1) Power	(1) Power	Turn the unit on/standby.
(2) Menu	(2) Menu	Open and exit the OSD menu.
(3) Camera Select	(3) Camera Select	CAM1 to CAM3 button Select a camera to operate.
(4) Numeric Pad	(4) Numeric Pad	<ul style="list-style-type: none"> <li>■ Use for setting the preset position 0~9.</li> <li>■ Press number button (0~9) to move the camera to pre-configured preset position 0~9.</li> </ul>
(5) Preset	(5) Preset	Press " <b>Preset</b> " + " <b>Number button (0~9)</b> " to set the preset position.
(6) Reset	(6) Reset	Press " <b>Reset</b> " + " <b>Number button (0~9)</b> " to cancel pre-configured preset position.
(7) WDR	(7) WDR	Turn on/off WDR function.
(8) BLC	(8) BLC	Turn on/off backlight compensation.
(9) ▲, ▼, ◀, & ▶	(9) ▲, ▼, ◀, & ▶	Pan and tilt the camera.
(10) Enter	(10) Enter	Access the OSD menu, confirm the selection or make a selection in OSD menu. <ul style="list-style-type: none"> <li>■ Short press to activate One Push Focus.</li> <li>■ Long press (2 seconds) to activate SmartFrame.</li> </ul>
(11) PT Reset	(11) PT Reset	Reset the Pan-Tilt position.
(12) L/R SET	(12) L/R SET	Left and right orientation setting. <ul style="list-style-type: none"> <li>■ Press "<b>L/R SET</b>" + "<b>#1</b>" button to reset setting.</li> <li>■ Press "<b>L/R SET</b>" + "<b>#2</b>" button to move to opposite direction.</li> </ul>
(13) Zoom Slow +/-	(13) Zoom Slow +/-	Zoom in/out slowly.
(14) MF/Far/Near	(14) MF/Far/Near	Enable manual focus. Use Far/Near to adjust the focus.
(15) Zoom Fast +/-	(15) Zoom Fast +/-	Zoom in/out fast.
(16) Pan-Tilt Fast/Slow	(16) Pan-Tilt Fast/Slow	Pan-Tilt speed adjustment.
(17) AF	(17) AF	Auto focus.
(18) Freeze	(18) Freeze	Freeze the live image.
(19) EV +/-	(19) EV +/-	<ul style="list-style-type: none"> <li>■ Short press to adjust EV level.</li> <li>■ Long press EV+ to turn on RTMP.</li> <li>■ Long press EV- to turn off RTMP.</li> </ul>

## Camera Setup

1. Press **MENU** button on remote control to call out OSD menu.

Go to **Network > DHCP > On**. Then, go to **System > Information** to check IP address of the camera.



Alternatively, Go to **Network > Static IP** to set up static IP address of the camera (default: **192.168.1.168**). For more detail about setting of the camera, please refer to the user manual.

2. Next, open the browser on your PC/laptop, enter the IP address of the camera into the address bar, and connect to camera (Default login account and password are **admin/admin**). User should see the camera Web UI.

**[Note] Recommended browser:** Chrome.



### Federal Communication Commission Interference Statement

NOTE: This equipment has been tested and found to comply with the limits for a Class A digital device, pursuant to part 15 of the FCC Rules. These limits are designed to provide reasonable protection against harmful interference when the equipment is operated in a commercial environment. This equipment generates, uses, and can radiate radiofrequency energy and, if not installed and used in accordance with the instruction manual, may cause harmful interference to radio communications. Operation of this equipment in a residential area is likely to cause harmful interference in which case the user will be required to correct the interference at his own expense.

FCC Caution: Any changes or modifications not expressly approved by the party responsible for compliance could void the user's authority to operate this equipment.

This device complies with part 15 of the FCC Rules.

The Operation is subject to the following two conditions:

- (1) This device may not cause harmful interference, and
- (2) This device must accept any interference received, including interference that may cause undesired operation.

This Class A digital apparatus complies with Canadian ICES-003. Cet appareil numérique de la classe A est

conforme à la norme NMB-003 du Canada.

Warning: This is a class A product. In a domestic environment this product may cause radio interference in which case the user may be required to take adequate measures.

この装置は、クラス A 機器です。この装置を住宅環境で使用すると電波妨害を引き起こすことがあります。この場合には使用者が適切な対策を講ずるよう要求されることがあります。

사용자 안내문	
이 기기는 업무용 환경에서 사용할 목적으로 적합성평가를 받은 기기로서 가정용 환경에서 사용하는 경우 전자파간섭의 우려가 있습니다.	
※ 사용자 안내문은 "업무용 방송통신기자재"에만 적용됩니다.	

기종별	사용자안내문
A 급 기기 (업무용 방송통신기자재)	이 기기는 업무용(A 급) 전자파적합기기로서 판매자 또는 사용자는 이 점을 주의하시기 바라며, 가정외의 지역에서 사용하는 것을 목적으로 합니다.

限用物質含有情況標示資訊參考下列網址：<https://tw.aver.com/page/RoHS>

### Caution

- Risk of explosion if battery is replaced by an incorrect type.
- Dispose of used batteries in a safe and proper manner.

©2023 AVer Information Inc. All rights reserved. | May 5, 2023

The information contained in this documentation is subject to change without notice.

### Contact Information

#### Headquarters

AVer Information Inc.  
<https://www.aver.com>  
 8F, No.157, Da-An Rd.  
 Tucheng Dist., New Taipei City  
 Taiwan  
 Tel: +886 (2) 2269 8535

#### USA Branch Office

AVer Information Inc.  
<https://www.averusa.com>  
 668 Mission Ct.  
 Fremont, CA 94539, USA  
 Tel: +1 (408) 263 3828  
 Toll-free: +1 (877) 528 7824  
 Technical support:  
[support.usa@aver.com](mailto:support.usa@aver.com)

#### Europe Branch Office

AVer Information Europe B.V.  
<https://www.avereurope.com>  
 Westblaak 134, 3012KM,  
 Rotterdam, The Netherlands  
 Tel: +31 (0) 10 7600 550  
 Technical support:  
[eu.rma@aver.com](mailto:eu.rma@aver.com)

#### Japan Branch Office

アバー・インフォメーション株式会社  
<https://jp.aver.com>  
 〒160-0023 日本東京都新宿区西新宿  
 3-2-26 立花新宿ビル 7 階  
 Tel: +81 (0) 3 5989 0290  
 テクニカル・サポート:  
<https://jp.aver.com/technical-support>

#### Vietnam Branch Office

Công ty TNHH AVer  
 Information (Việt Nam)  
 Tầng 5, 596 Nguyễn Đình  
 Chiểu, P.3, Quận 3, Thành  
 phố Hồ Chí Minh 700000, Việt  
 Nam  
 Tel: +84 (0)28 22 539 211