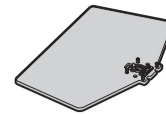
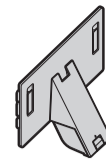
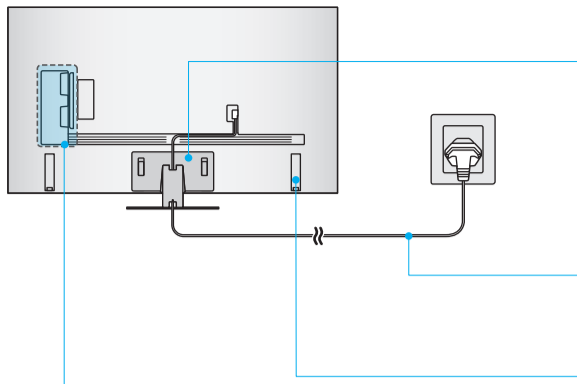


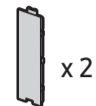
SAMSUNG

Unpacking and Installation Guide



Power Cable

USB	USB-C	OPTICAL	
ARC	HDMI (eARC)	LAN	
HDMI		ANT	



x 2



Samsung Smart Remote



User Manual / Regulatory Guide

BN68-18606A-00

Scan this QR code with your smart phone to see helpful videos.

1 **55"**

1 **65"**

2

3

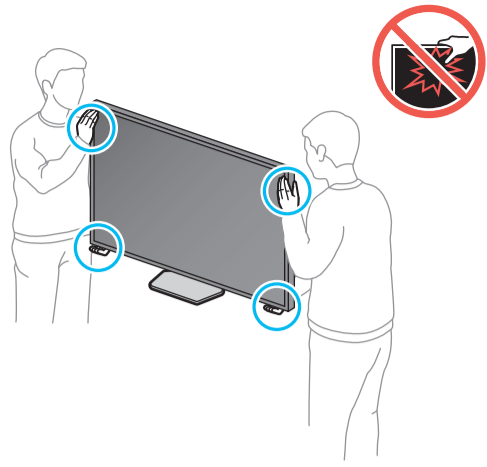
4

5

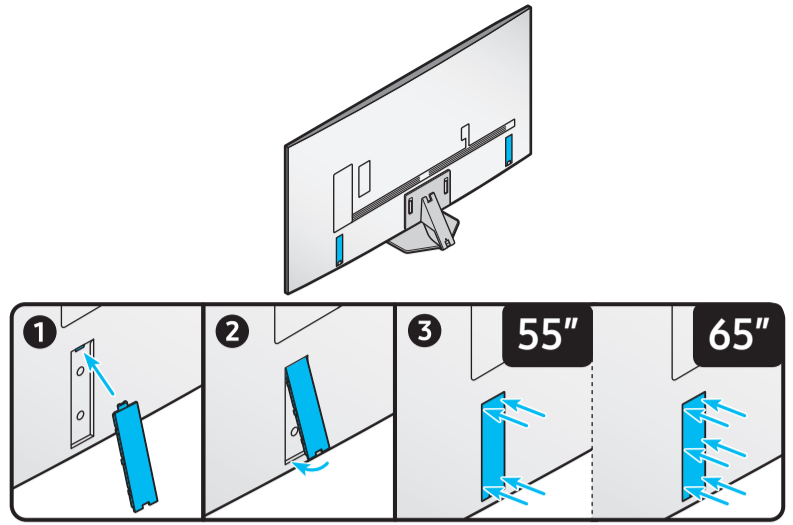
6

7

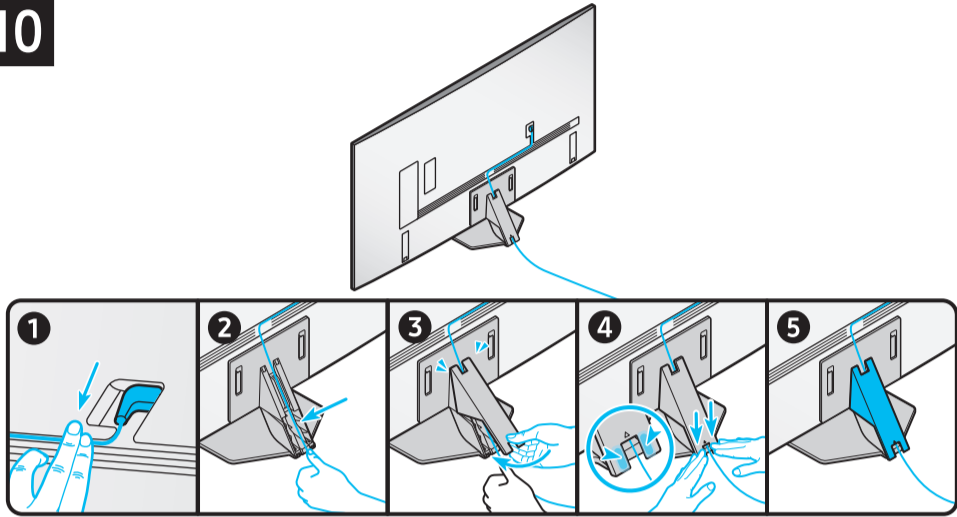
8



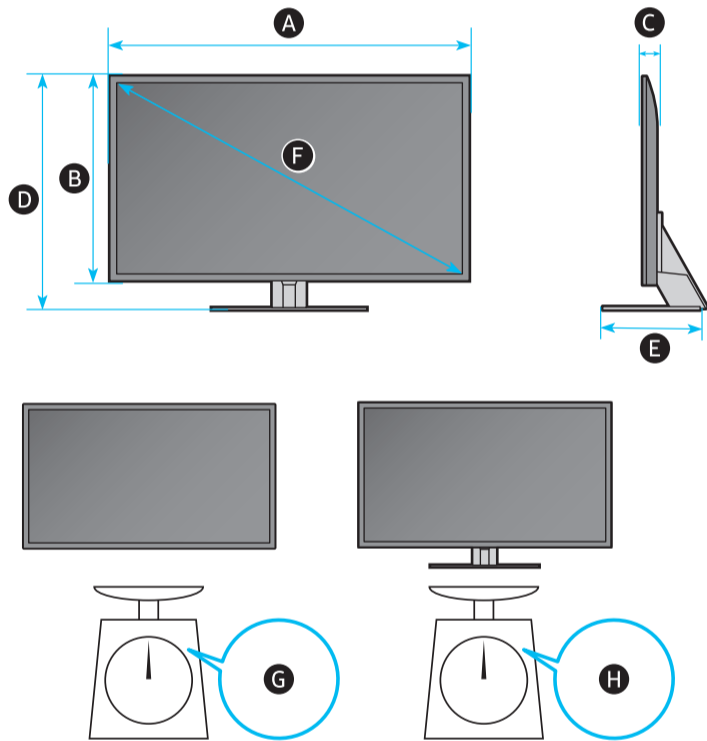
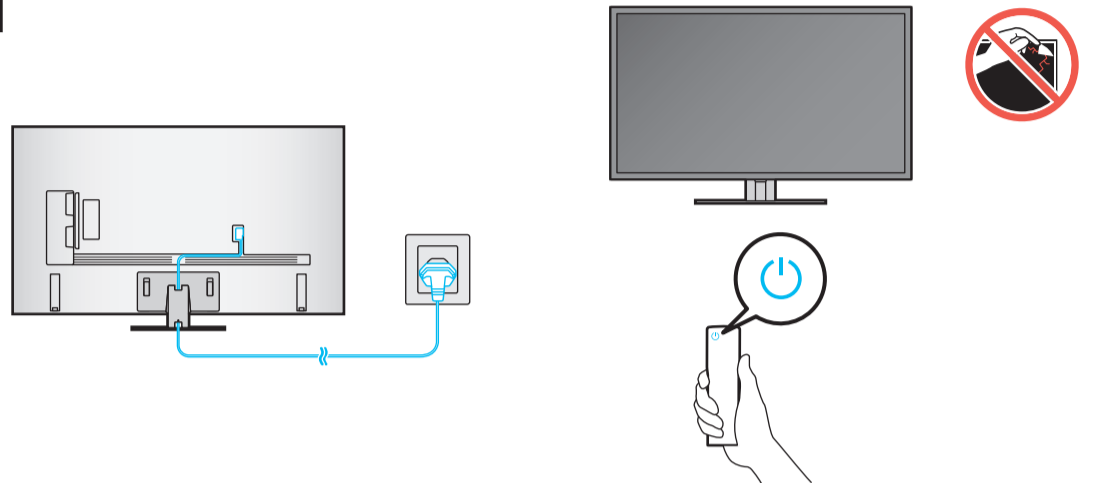
9



10

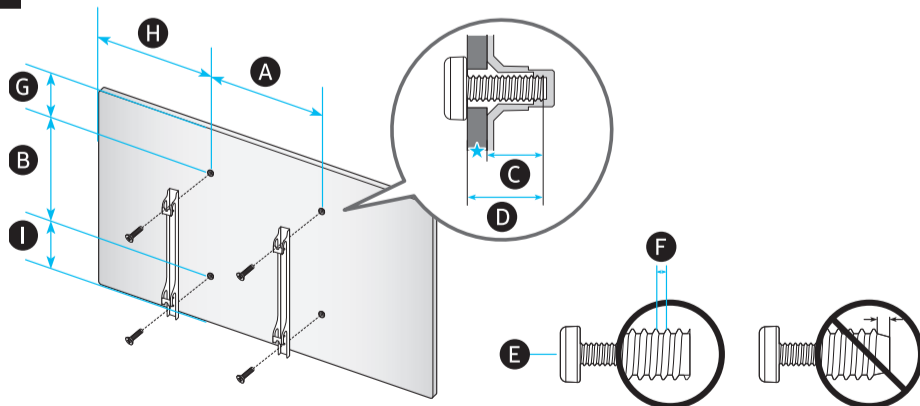


11



	A	B	C	D	E	F	G	H
55QN8*D	48.3 inches (1227.6 mm)	27.8 inches (706.4 mm)	1.8 inches (46.1 mm)	30.2 inches (766.0 mm)	9.6 inches (243.9 mm)	54.6 inches	37.7 lbs (17.1 kg)	44.3 lbs (20.1 kg)
65QN8*D	56.9 inches (1446.5 mm)	32.7 inches (829.5 mm)	1.8 inches (46.3 mm)	35.0 inches (890.0 mm)	10.2 inches (258.8 mm)	64.5 inches	51.0 lbs (23.1 kg)	59.1 lbs (26.8 kg)

*: 0-9, A-Z



	VESA A x B (mm)	C (mm)	D	E x 4	F (mm)	G (inches)	H (inches)	I (inches)
55QN8*D	200 x 200	11-13	C + ★	M8	1.25	9.1	20.2	10.8
65QN8*D	400 x 300					8.5	20.6	12.3

*: 0-9, A-Z

★: Wall-Mount Bracket