

**EN Start Here**

For detailed information on operation and safe use of the product, refer to the other manuals included with the product.

**FR Commencer Ici**

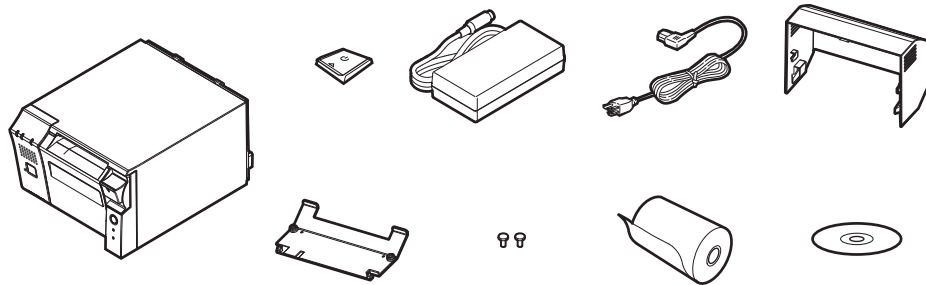
Pour des informations détaillées sur le fonctionnement et l'utilisation en toute sécurité du produit, voir les autres manuels fournis avec le produit.

**ES Inicio aquí**

Para obtener información detallada sobre el funcionamiento y el uso seguro del producto, consulte los demás manuales suministrados con el producto.

**PT Inicar Aqui**

Para obter informações mais pormenorizadas sobre o funcionamento e a utilização segura do produto, consulte os outros manuais fornecidos com o produto.

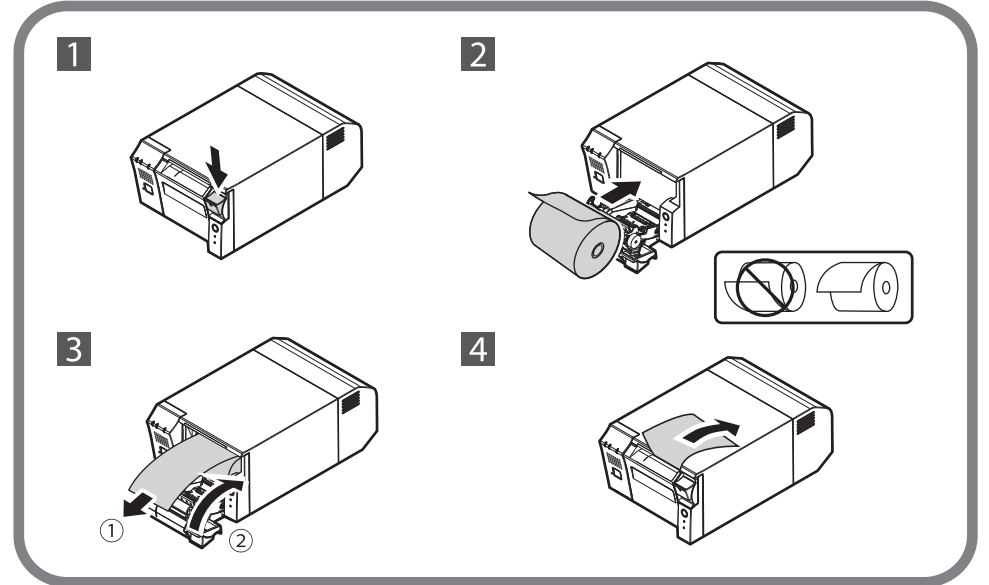
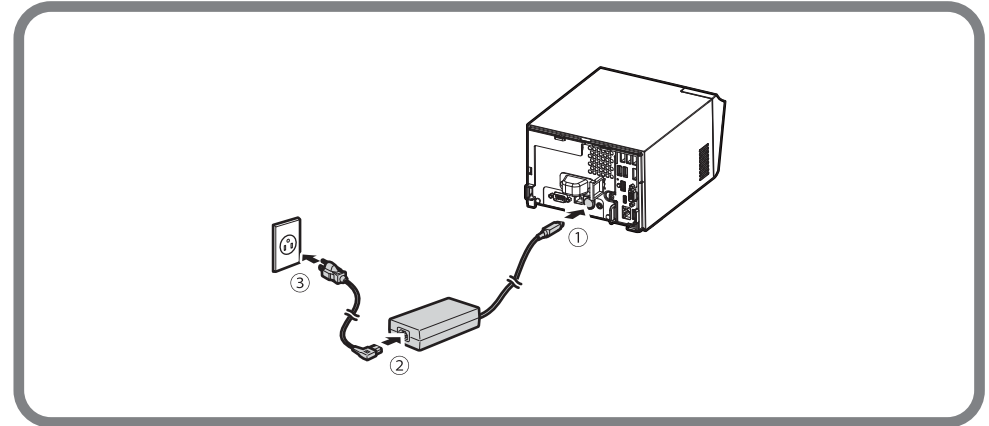


**EN**  
Depending on the model, accessories other than those described above may be included.

**FR**  
En fonction du modèle, des accessoires différents de ceux décrits ci-dessus peuvent être inclus.

**ES**  
Dependiendo del modelo, pueden incluirse otros accesorios además de los descritos arriba.

**PT**  
Dependendo do modelo, podem ser incluídos acessórios que não sejam os descritos acima.



# Standards and Approvals

The following standards are applied only to the products that are so labeled. (EMC is tested using the Epson power supplies.)

North America: FCC Class A, CAN ICES-3 (A)/NMB-3 (A)

---

## ***For Users in the Americas***

### **Warning**

The connection of a non-shielded interface cable to this device will invalidate the EMC standards of this device. You are cautioned that changes or modifications not expressly approved by Seiko Epson Corporation could void your authority to operate the equipment.

## ***FCC Compliance Statement for Users in the USA***

This equipment has been tested and found to comply with the limits for a Class A digital device, pursuant to Part 15 of the FCC Rules. These limits are designed to provide reasonable protection against harmful interference when the equipment is operated in a commercial environment.

This equipment generates, uses, and can radiate radio frequency energy and, if not installed and used in accordance with the instruction manual, may cause harmful interference to radio communications.

Operation of this equipment in a residential area is likely to cause harmful interference in which case the user will be required to correct the interference at his own expense.

## ***For California Customers Only***

The lithium batteries in this product contain Perchlorate Material - special handling may apply.

See [www.dtsc.ca.gov/hazardouswaste/perchlorate](http://www.dtsc.ca.gov/hazardouswaste/perchlorate).