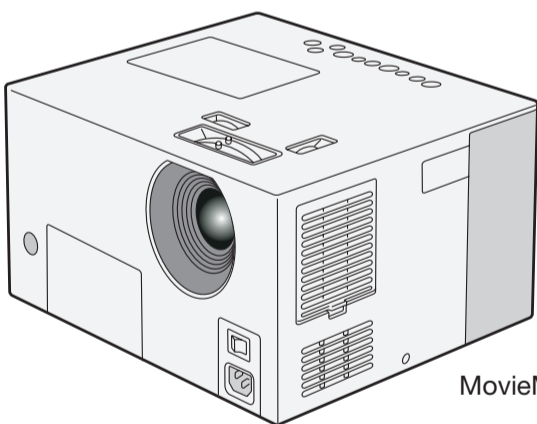


Epson MovieMate™ 30s Series Quick Setup

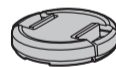


EPSON®
EXCEED YOUR VISION

1 *Unpack your MovieMate*



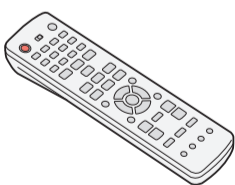
MovieMate



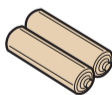
Lens cap



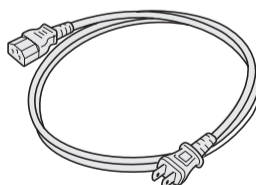
User's Guide



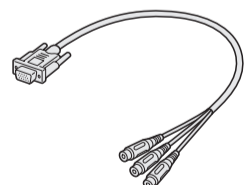
Remote control



Batteries



Power cord



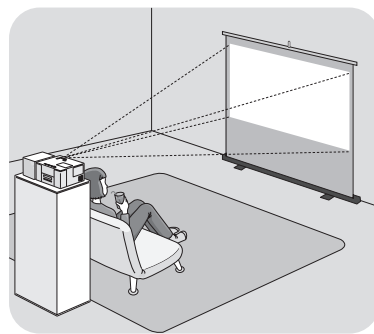
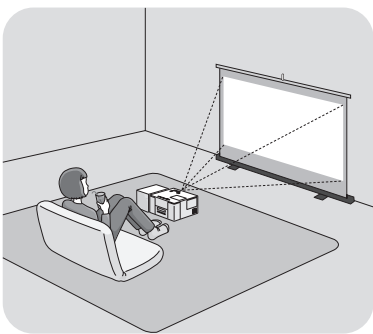
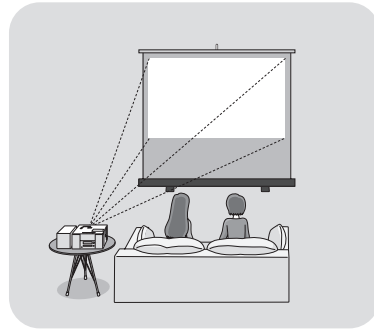
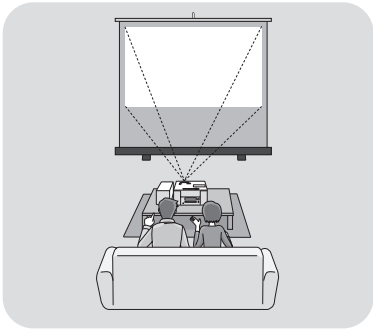
VGA-to-component
video cable adapter

The Epson MovieMate projector is designed for use virtually anywhere at home. However, MovieMate and its accessories should not be exposed to water, smoke, direct heat or sunlight, or left outside for long periods of time. As with typical electronic equipment, please avoid exposure of MovieMate to moisture, dust, smoke, and other environmental factors which may result in damage to internal electronics over time. See the Epson America, Inc. Limited Warranty in your *User's Guide* for additional details on the use of your MovieMate 30s Series.

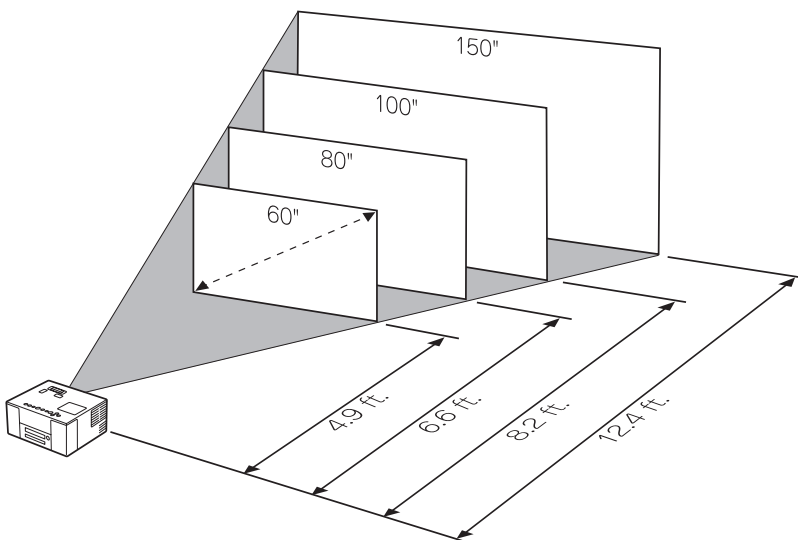
2 Choose a location

You can use your MovieMate just about anywhere—in the living room, bedroom, or even outside. You can use it with an optional subwoofer and screen, or simply project on a wall and use the built-in audio system.

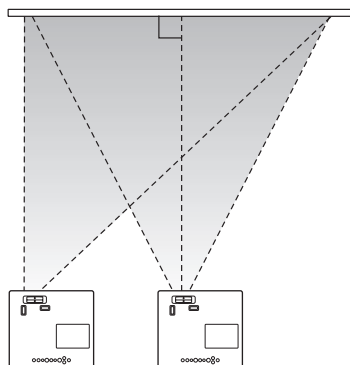
The following pictures show four different setups.



- If you want an 80-inch diagonal size image, place MovieMate about 6 1/2 feet away from the wall or screen. The following diagram shows the approximate image size (measured diagonally) at various distances.



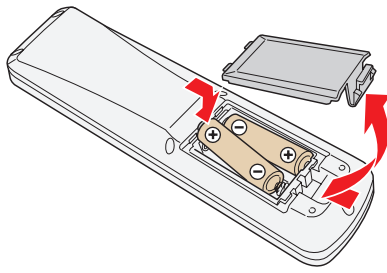
- If you want to project against a wall, choose a flat white wall with a smooth surface for best results.
- MovieMate doesn't have to be directly in front of the screen or wall, but it has to face straight ahead (at a 90-degree angle to the projection surface).





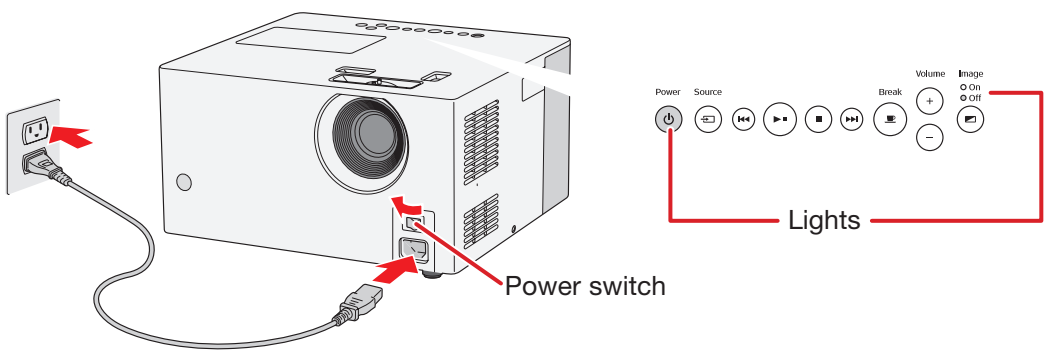
- If the image is too low, too high, or off to the side, you can use the quick image adjustment dials to adjust the position. See section 5 on the back of this sheet.
- Make sure you have a grounded electrical outlet, power strip, or extension cord to plug MovieMate into.

3 Set up MovieMate




- 1 If you have an optional screen, set it up following the instructions included in the screen box. If you have an optional subwoofer, set it up as described in the *User's Guide*.
- 2 Put the batteries in the remote control.

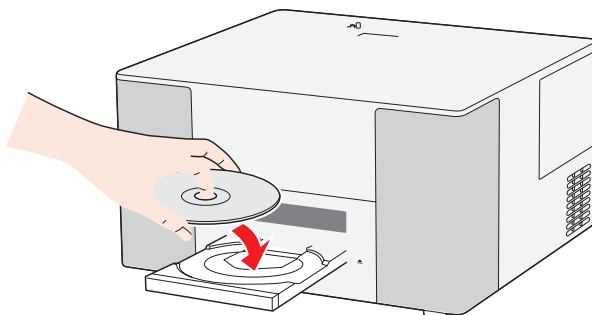


- 3 The remote control buttons can glow in the dark. Expose the remote control to light for several minutes so the buttons can absorb light before using it.
- 4 Plug in MovieMate and turn it on using the power switch. The **Power**  and  **Image Off** lights turn on orange.

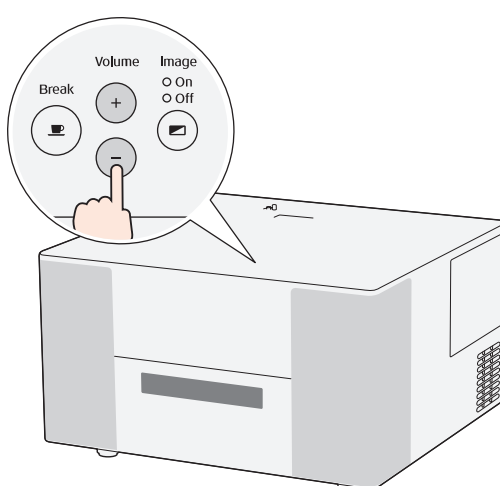


4 Start a DVD movie

- 1 Press the  button to open the DVD tray.
- 2 Insert the DVD and close the tray. If the movie doesn't start automatically, press the  **Power** button or the  **Image On/Off** button.

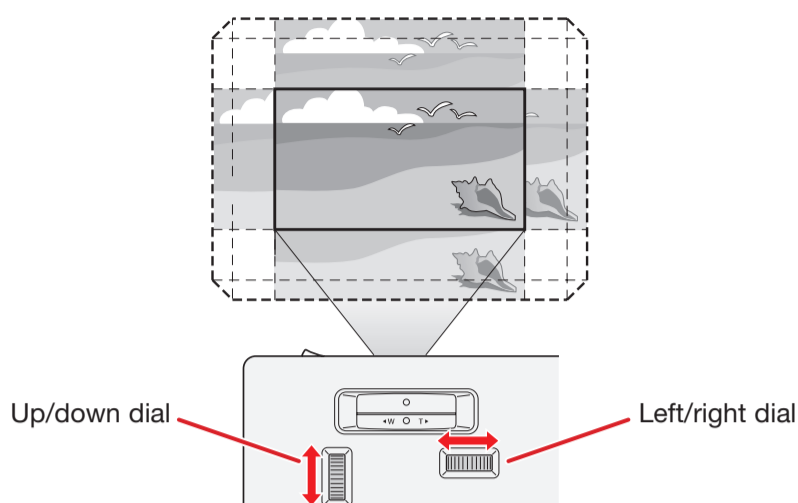




- 3 Adjust the volume if necessary.



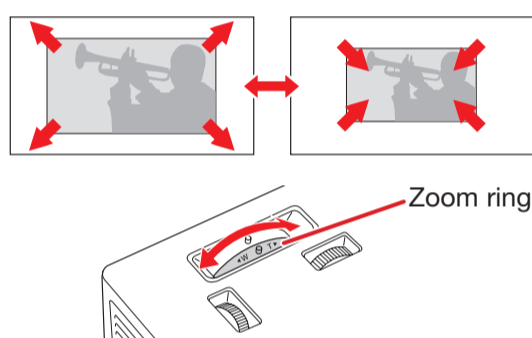
5 Adjust the image

- 1 If the image is too low, too high, or off to the side, use the quick image adjustment dials to adjust its position.

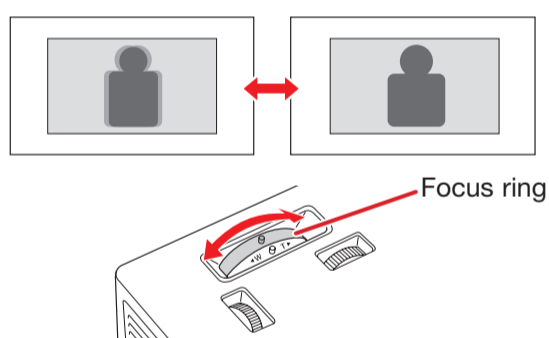



If the picture looks like this  or this  straight ahead. Make sure you position MovieMate at a 90-degree angle to the screen or wall. You can then use the left/right quick image adjustment dial to center the image.

- 2 Use the zoom ring to adjust the size of the image.






- 3 Use the focus ring to sharpen the image.

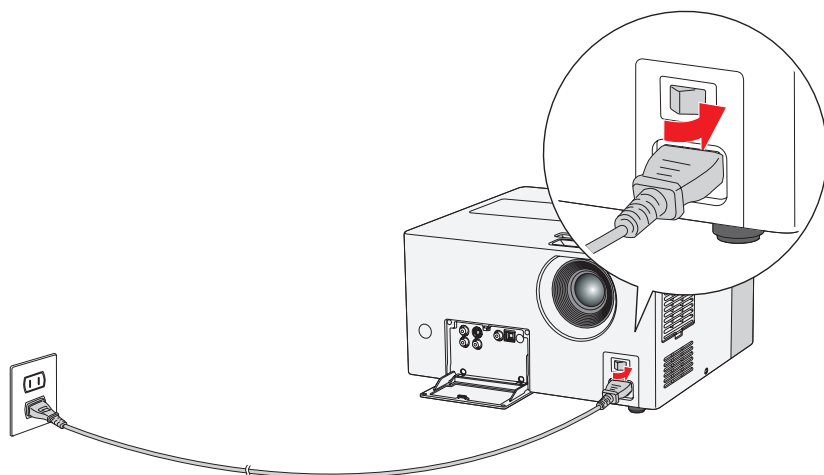


- 4 To enlarge or reduce the aspect of the ratio of the image, press the  button on the remote control.

6 End a DVD movie

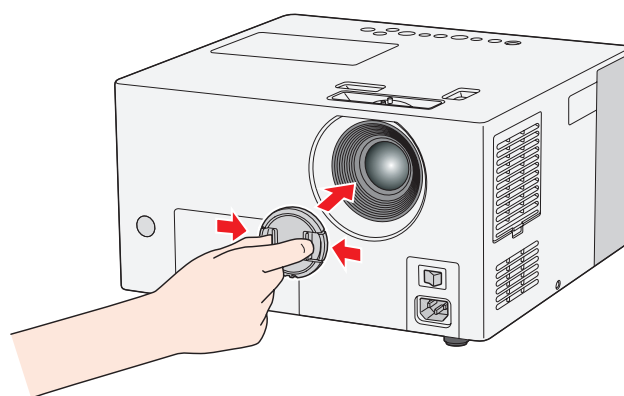
- 1 Press  to stop playing the DVD.
- 2 Press  to open the tray and remove the DVD. Close the tray.
- 3 Press the  **Power** button to turn off the lamp.

- 4 When you hear two beeps, turn off the MovieMate power switch.



- 5 Unplug MovieMate.


- 6 Attach the lens cover when you're not using MovieMate.



Any problems?

If you don't find the solution to your problem here, see your MovieMate 30s Series *User's Guide* for more troubleshooting tips.

No picture appears on the screen

- Make sure MovieMate is turned on and warmed up. Turn on the main power switch on the front and then press the  **Power** button.
- Make sure the lens cover is off.
- The image may be off the screen. Use the up/down and left/right lens shift dials to adjust its position. See section 5 at the left.
- Make sure MovieMate is not tilted. Tilting it more than 5 degrees up or down may cause problems. Use the up/down lens shift dial to adjust the image position.

The picture is blurry or out of focus

- Adjust the focus using the focus ring. See section 5 at the left.
- Make sure the lens cover is off.
- Make sure MovieMate is placed the correct distance from the screen: no closer than 2.4 feet and no farther than 37 feet.

The picture is taller on the left or right side

Make sure MovieMate is level and facing straight ahead, at a 90-degree angle to the screen or wall.

The remote control doesn't work

- Make sure the toggle switch is in the correct position: set it to **-123** to use the numeric buttons, or to **Func.-** to use the other functions of these buttons.
- Check the batteries.

Function/numeric toggle switch



Any questions?

Look here for answers:

MovieMate 30s Series *User's Guide*

Instructions for all MovieMate features, including connecting a cable or satellite TV receiver, game console, MP3 player, sound system, optional subwoofer, and more.

Telephone Support Services

To use the Epson PrivateLine® Support service, call (800) 637-7661 and enter the PIN on the Epson PrivateLine Support card that came with your MovieMate. This is the fastest way of speaking to a live representative, and it's free. This service is available 6 AM to 6 PM, Pacific Time, Monday through Friday, for the duration of your warranty period.

You can also speak with a projector support specialist by dialing one of these numbers:

U.S.: (562) 276-4394, 6 AM to 6 PM, Pacific Time,
Monday through Friday

Canada: (905) 709-3839, 6 AM to 6 PM, Pacific Time,
Monday through Friday

Toll or long distance charges may apply.

Electronic Support Services

Epson provides technical assistance through electronic support services 24 hours a day at <http://support.epson.com>.

Epson is a registered trademark and Exceed Your Vision is a trademark of Seiko Epson Corporation. Epson MovieMate is a trademark and PrivateLine is a registered trademark of Epson America, Inc.

General notice: Other product names used herein are for identification purposes only and may be trademarks of their respective owners. Epson disclaims any and all rights in those marks.