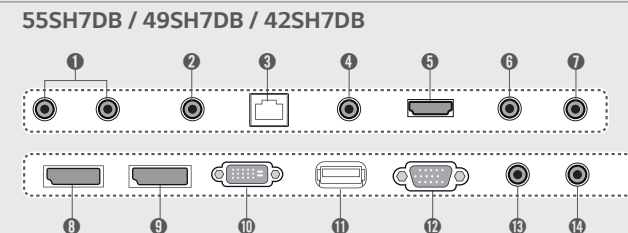


Specifications

SH7DB Series	55SH7DB	49SH7DB	42SH7DB
Screen Size	55	49	42
Panel Technology	IPS (PD)		
Aspect Ratio	16 : 9		
Native Resolution	1,920 x 1,080 (FHD)		
Brightness	700cd/m ²		
Contrast Ratio	1,300:1		
Dynamic CR	500,000:1		
Viewing Angle (H x V)	178 x 178		
Surface Treatment	Hard coating (3H), Anti-glare treatment of the front polarizer (Haze 10 % (Typ.))		
Guaranteed Operating Hour	24 Hours		
Orientation	Portrait & Landscape		
Input	HDMI, DP, DVI-D, RGB, Audio, USB 3.0		
Output	DP, Audio, External Speaker		
External Control	RS232C (In/Out), RJ45, IR Receiver, Pixel Sensor (Optional)		
Bezel Color	Black		
Bezel Width	7.4mm (T/R/L/U even)	7.4mm (T/R/L/U even)	7.4mm (T/R/L/U even)
Monitor Dimension (W x H x D)	1,230 x 714 x 32mm	1,095 x 637 x 32mm	949 x 555 x 32mm
Weight (Head)	20.7kg	15.6kg	12.5kg
Weight (Head + Stand)	22.1kg	17kg	13.9kg
Monitor with Optional Stand & Speaker Dimensions (W x H x D)	1,230 x 714 x 298mm	1,095 x 625 x 298mm	949 x 618 x 298mm
Weight (Head + Stand + Speaker)	22.9kg	17.8kg	14.7kg
Carton Dimensions (W x H x D)	1,330 x 815 x 174mm	1,197 x 760 x 134mm	1,045 x 645 x 127mm
Packed Weight	25.2kg	18.7kg	14.8kg
VESA™ Standard Mount Interface	400 x 400		
SPECIAL FEATURES	USB Content Scheduling, Conformal Coating, SNMP Support, Wi-Fi Ready (Dongle), Power Management modes (Sustain Aspect Ratio/Stand-by Screen, etc.), No Signal Image setting, Enhanced ISM (Image Sticking Minimization) Mode, Holiday Schedule/Local Time Auto Setting, Fail-over (USB, RGB, DVI, HDMI), Wake on LAN, DVI/HDMI to DP out		
ENVIRONMENTAL CONDITIONS	Operating Temperature Range 0 °C to 40 °C	Operating Temperature Range 0 °C to 40 °C	Operating Temperature Range 0 °C to 40 °C
POWER	Operating Humidity Range 10 % to 80 %	Operating Humidity Range 10 % to 80 %	Operating Humidity Range 10 % to 80 %
POWER CONSUMPTION	Power Supply 100-240V-, 50/60Hz	Power Supply 100-240V-, 50/60Hz	Power Supply 100-240V-, 50/60Hz
STANDARD (CERTIFICATION)	Power Type Built-In Power	Power Type Built-In Power	Power Type Built-In Power
MEDIA PLAYER COMPATIBILITY	Typ. 140W	Typ. 125W	Typ. 110W
SOFTWARE COMPATIBILITY	Smart Energy Saving 95W	Smart Energy Saving 80W	Smart Energy Saving 60W
STANDARD (CERTIFICATION)	Safety UL / cUL / CB / TUV / KC	Safety UL / cUL / CB / TUV / KC	Safety UL / cUL / CB / TUV / KC
MEDIA PLAYER COMPATIBILITY	EMC FCC Class "A" / CE / KCC	EMC FCC Class "A" / CE / KCC	EMC FCC Class "A" / CE / KCC
SOFTWARE COMPATIBILITY	ErP / Energy Star Yes / Yes (Energy Star 6.0)	ErP / Energy Star Yes / Yes (Energy Star 6.0)	ErP / Energy Star Yes / Yes (Energy Star 6.0)
MEDIA PLAYER COMPATIBILITY	OPS Type compatible Yes (MP500/MP700)	OPS Type compatible Yes (MP500/MP700)	OPS Type compatible Yes (MP500/MP700)
SOFTWARE COMPATIBILITY	External Media player Attachable Yes (MP500/MP700)	External Media player Attachable Yes (MP500/MP700)	External Media player Attachable Yes (MP500/MP700)
SOFTWARE COMPATIBILITY	SuperSign-W/Lite Yes	SuperSign-W/Lite Yes	SuperSign-W/Lite Yes
SOFTWARE COMPATIBILITY	SuperSign-C Yes	SuperSign-C Yes	SuperSign-C Yes
ACCESSORY	Basic Remote Controller (2 batteries included), Power Cord, QSG, RGB Cable, Regulation Book, Phone to RS232C Gender, IR Receiver		
ACCESSORY	Optional SP-2100 (External Speaker), ST-200T, LSW440S, AN-WF500 (Wi-Fi USB Dongle), KT-OPSA (OPS Kits), KT-SPO (Pixel Sensor)	Optional SP-2100 (External Speaker), ST-200T, LSW440S, AN-WF500 (Wi-Fi USB Dongle), KT-OPSA (OPS Kits), KT-SPO (Pixel Sensor)	Optional SP-2100 (External Speaker), ST-200T, LSW440S, AN-WF500 (Wi-Fi USB Dongle), KT-OPSA (OPS Kits), KT-SPO (Pixel Sensor)

Connectivity

- 1 SPEAKER OUT
- 2 AUDIO IN
- 3 LAN
- 4 PIXEL SENSOR
- 5 HDMI
- 6 AUDIO OUT
- 7 IR & LIGHT SENSOR
- 8 DP IN
- 9 DP OUT
- 10 DVI-D IN
- 11 USB
- 12 RGB IN
- 13 RS-232C IN
- 14 RS-232C OUT



Download LG Commercial Display Mobile App



More info www.lgcommercial.com
 YouTube [youtube.com/c/LGCommercialDisplay](https://www.youtube.com/c/LGCommercialDisplay)

LG may make changes to specifications and product descriptions without notice.
 Copyright © 2015 LG Electronics Inc. All rights reserved. "LG Life's Good" is a registered of LG Corp.
 The names of products and brands mentioned here may be the trademarks of their respective owners.



Simplified Installation and Convenient Maintenance Standard Performance SH7DB Series



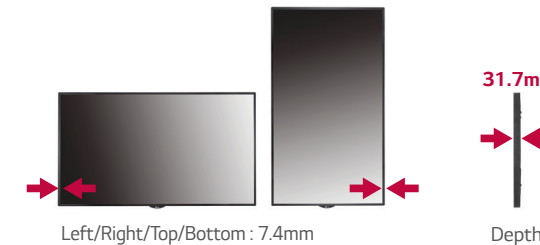
With its narrow even bezel, LG SH7DB enables you to create landscape or portrait walls in multiple installation scenes. It is enhanced in reliability and maintenance by protecting the circuit board from dust, iron fillings and humidity, and by detecting screen failures with SuperSign™ Software. Supporting convenient content management, this series are suitable for installation environments such as airport, retail and multiplex etc.

Key Features

Simplified Installation

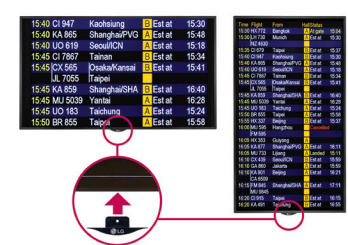
Narrow Even Bezel

Slim, sleek and stylish design, SH7DB has advantages for portrait and video wall scene



Detachable Logo

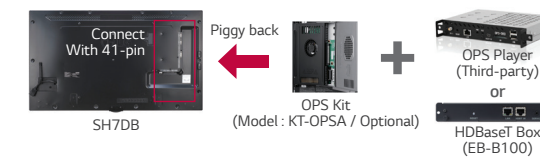
Portrait mode allows the logo to be positioned in the desired setting.



Supportive Convenience

OPS* & HDBaseT Compatibility

The SH7DB provides an OPS Kit to connect a third-party OPS player or HDBaseT box. Users have the flexibility to choose any media player as long as it complies with the OPS.



*OPS : Open Pluggable Specification

Dust & Humidity Protection

Conformal Coating

Circuit board reliability is enhanced with conformal coating that protects against dust, iron powder, humidity and other harsh conditions.



Simplified Installation and Convenient Maintenance

Standard Performance SH7DB Series



Screen Sizes
55"/49"/42"

SH7DB Series

- Brightness : 700 cd/m²
- Bezel : Top/Left/Right/Bottom 7.4mm
- Depth : 31.7mm
- Special : Wi-Fi Dongle Ready, SuperSign W/C/M
- Local Time Auto Setting
- DP/HDMI/DVI/RGB/RS232C/RJ45/IR (DP1.2 daisy-chain)

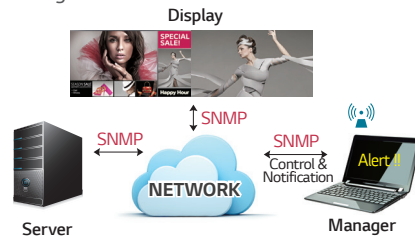


Key Features

Convenient Connectivity Support

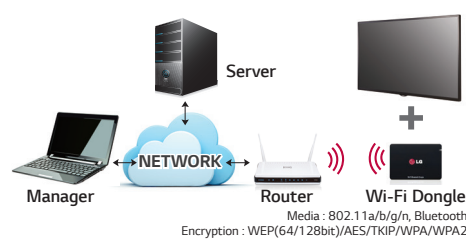
Simple Network Management Protocol

SNMP support ensures convenient network management.



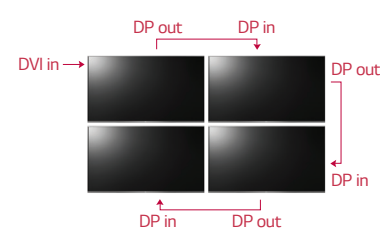
Wi-Fi Support

SH7DB Series support Wi-Fi USB dongle connection for convenient content distribution.



Digital input to Daisy Chain

Support DVI/HDMI digital signal turns to DP out.



Screen Management Mode

Aspect Ratio Sustainability*

Sustain the same resolution and picture quality while powering on/off by receiving EDID¹⁾ through switch IC.



1) Extended Display Identification Data.
* Installation Menu > LG Digital Signage > PM Mode

Stand-by Screen*

Even without signal from the media player, the network does not turn off completely, so remote control is possible, which prevents unnecessary power usage and enables efficient management.



Scheduled Screen Wash**

Prevent residual images with the screen transition feature.

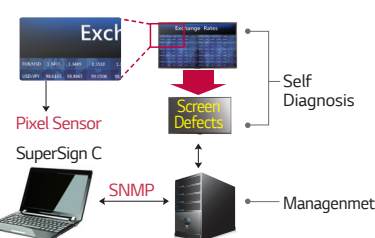


** Installation Menu > ISM Method

Content Management

Screen Fault Detection

Detects screen failure and sends an alert log by email.



USB Content Scheduling

Play and schedule contents with a USB connection-no server connection required.



*Supported Content Type : Video (MPEG1/2/4, H.264), Audio(MP3, AC3, MPEG, AAC, HEAAC, LPCM), Image(JPEG, PNG, BMP)

Advanced Failover

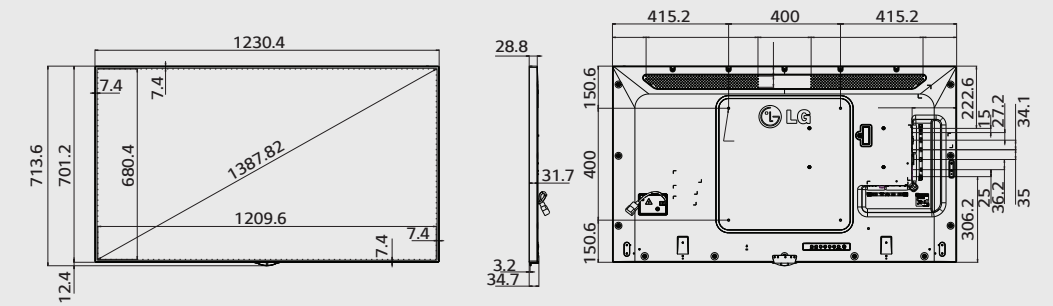
Enables content to be displayed without dead spots when none of the external inputs is working. The monitor performs the signal switching automatically.



Dimension (unit : mm)

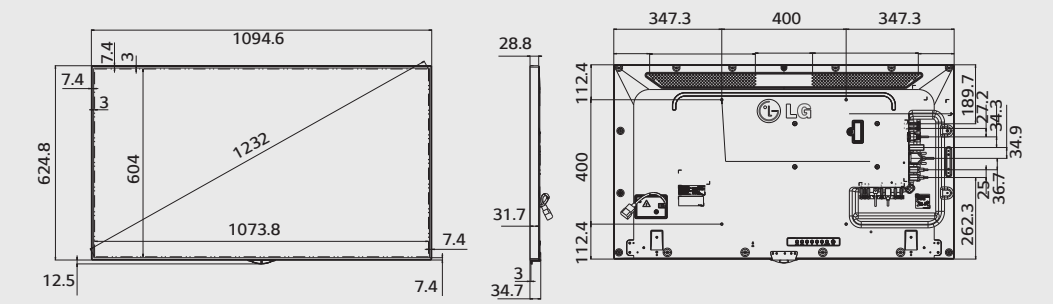
55"

1,230 x 714 x 32 / 20.7kg



49"

1,095 x 637 x 32 / 15.6kg



42"

949 x 555 x 32 / 12.5kg

