



AORUS RTX 3080 Ti GAMING BOX

With GeForce RTX™ 3080 Ti graphics card embedded

Installation Guide

Rev.1.0

► PACKAGE CONTENT:

- AORUS RTX 3080 Ti GAMING BOX
(includes GIGABYTE GeForce RTX™ 3080 Ti 12G graphics card)*1
- Thunderbolt™ 3 Cable 500mm (USB Type-C) *1
- Power Cord*1
- Installation Guide *1
- Carry Bag *1

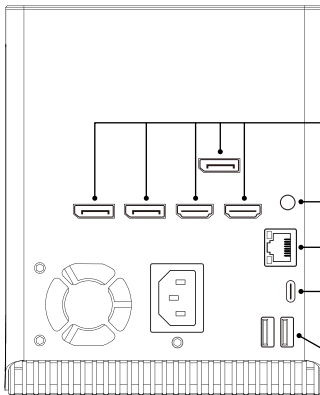
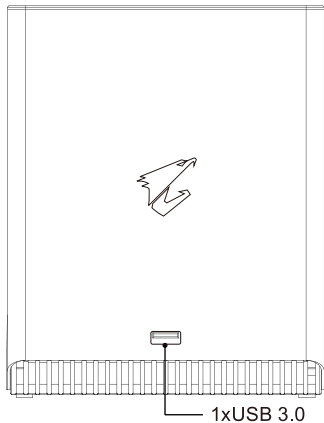
► SYSTEM REQUIREMENT:

- Laptop PC / Desktop PC with Thunderbolt™ 3 / Thunderbolt™ 4 port and supports external GPU
- Windows 10

► PRODUCT FEATURES:

- Powerful GeForce RTX™ 3080 Ti delivers incredible performance for games, creators and A.I.
- WATERFORCE all-in-one cooling system
- Thunderbolt™ 3 plug and play
- Supports 3x USB 3.0 for peripheral
- Supports 1x Ethernet port
- Supports Power Delivery (PD 3.0) to charge the laptop PC
- RGB fusion 2.0 - 16.7M color synchronize with other AORUS devices.

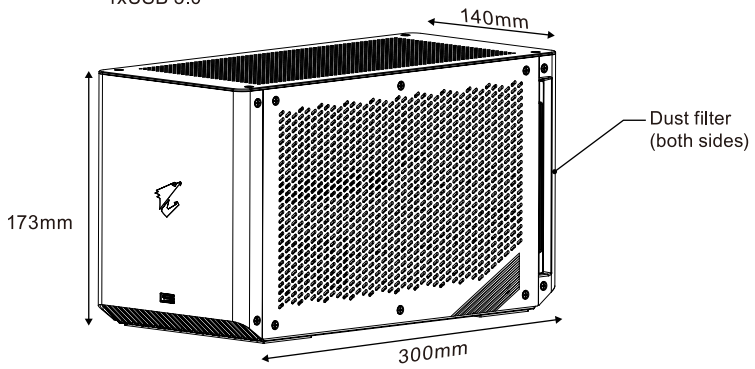
► I/O



▼ Video Output

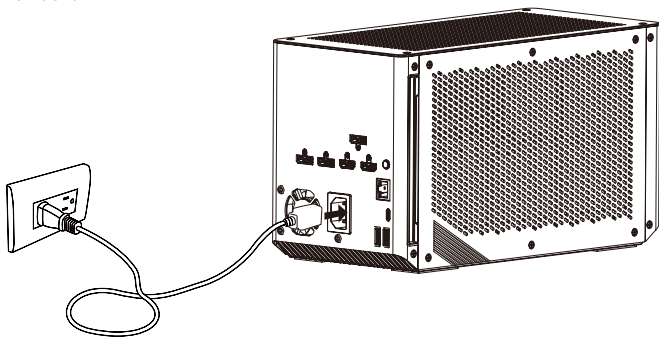
- 2xHDMI
- 3xDP(Display Port)

- Reset button
- 1x Ethernet port
- 1xThunderbolt™ 3
Charge laptop PC
& transfer data
- 2xUSB 3.0

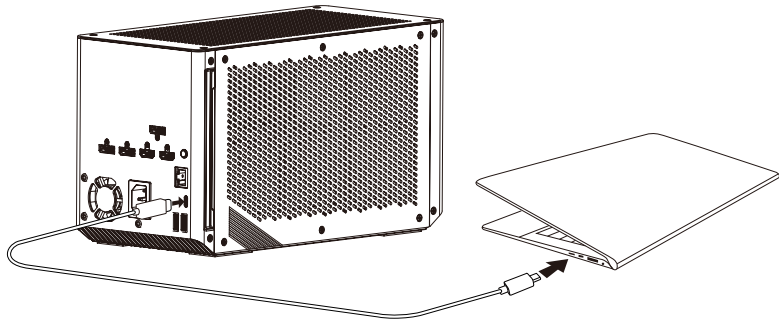


► INSTALLATION

1. Connect AORUS RTX 3080 Ti GAMING BOX to a power source 100V~240V by the power cord.

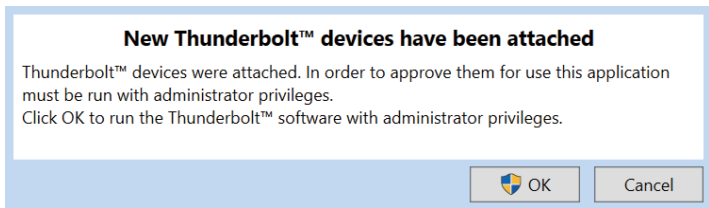


2. Connect AORUS RTX 3080 Ti GAMING BOX to the Laptop PC / Desktop PC by Thunderbolt™ USB type-C cable.

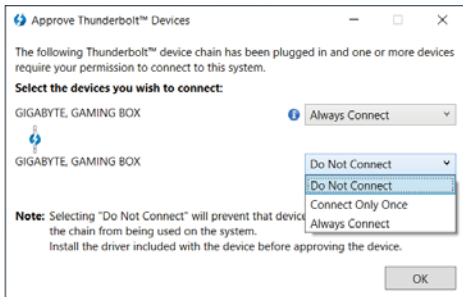


3. Click on to confirm the Thunderbolt™ connection of “GIGABYTE, GAMING BOX ”
When it's connected, the RGB light of the box will turn on.

3-1 Click on OK, when the Thunderbolt™ cable is connected to PC.



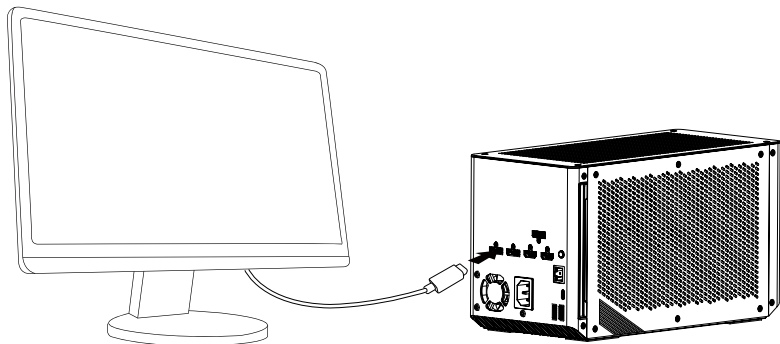
3-2 Choose “Always connect” for “GIGABYTE, GAMING BOX ”



4. Connect AORUS RTX 3080 Ti GAMING BOX to your external monitor by the DP (display port) or HDMI

Note:

You can connect a USB keyboard, USB mouse and USB headset to AORUS RTX 3080 Ti GAMING BOX




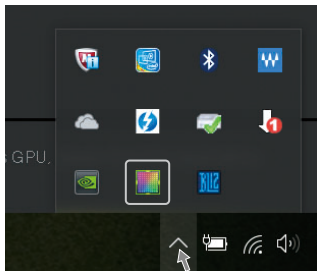
5. Connect the Ethernet cable to the Ethernet port to use the wired network.
6. Install the RTX 3080 Ti desktop graphics card driver from GIGABYTE website.
7. Install the AORUS Engine to customize your preference.

GAMING BOX state	RGB light	Fan	Water pump	Note
Turn on	On	On	On	Connect GAMING BOX to the laptop PC and Thunderbolt™ is activated.
Standby	Off	Off	On	Power cord is connected, PC is shutdown.
Turn off	Off	Off	Off	Disconnect the power cord or press the "Reset" button over 3 seconds to turn off. Press the "Reset" button again to turn on.

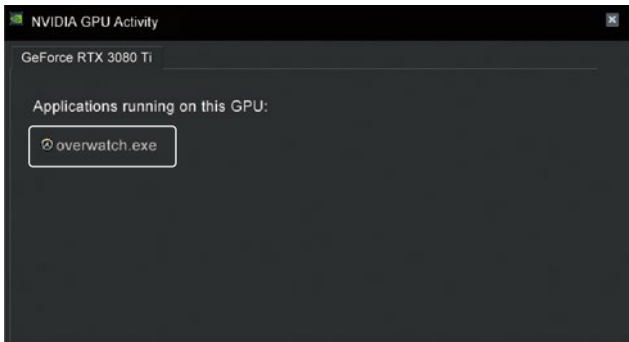
Note:


1. How to check if the application is running by the external GPU – GeForce RTX™ 3080 Ti.

1-1. Click on the icon  [Nvidia GPU Activity] in the notification area. (If there is no icon, please add it from NVIDIA Control Panel. Make sure the graphics driver is installed)



1-2. Display the applications that are running by external GPU - GeForce RTX™ 3080 Ti.



2. Before you re-plug the Thunderbolt™ cable, please wait until the Thunderbolt™ disconnected sound is played and the icon  in the notification area is disappeared. If the PC can't recognize the Thunderbolt™ device, please reboot the system.
3. If the Thunderbolt™ 3 is not connected in the system after rebooting the laptop PC, you may push the “Reset” button to wake up the gaming box. The function of the “Reset” button is equivalent to re-plug the power cord.
4. Please keep the clearance near the box for better airflow. Poor ventilation will reduce the performance of the graphics card
5. How to keep the PC working with the lid closed – go to Windows setting → Control panel\Hardware and Sound\Power Options\System Settings. Then set the item “When I close the lid” to “Do nothing”.

Power and sleep buttons and lid settings



On battery



Plugged in



When I press the power button:

Sleep

Sleep



When I press the sleep button:

Sleep

Sleep



When I close the lid:

Do nothing

Do nothing

Equipment name 設備名稱：電競外接盒

Type designation (Type) 型號 (型式)：GV-N308TIXEB-12GD

單元Unit	Restricted substances and its chemical symbols 限用物質及其化學符號					
	鉛 Lead (Pb)	汞 Mercury (Hg)	鎘 Cadmium (Cd)	六價鉻 Hexavalent chromium (Cr+6)	多溴聯苯 Polybrominated biphenyls (PBB)	多溴二苯醚 Polybrominated diphenyl ethers (PBDE)
電路板	○	○	○	○	○	○
鐵殼	-	○	○	○	○	○
線材組件	○	○	○	○	○	○
風扇	○	○	○	○	○	○

備考1. “超出0.1 wt %”及“超出0.01 wt %”係指限用物質之百分比含量超出百分比含量基準值。

Note 1 : “Exceeding 0.1 wt %” and “exceeding 0.01 wt %” indicate that the percentage content of the restricted substance exceeds the reference percentage value of presence condition.

備考2. “○”係指該項限用物質之百分比含量未超出百分比含量基準值。

Note 2 : “○” indicates that the percentage content of the restricted substance does not exceed the percentage of reference value of presence.

備考3. “-”係指該項限用物質為排除項目。

Note 3 : The “-” indicates that the restricted substance corresponds to the exemption.

AC INPUT(交流輸入): 100-240V ~ / 6A / 50-60Hz



GBT TECH. CO.,LTD

13 Warren Yard, Warren Farm Office Village, Wolverton Mill, Milton Keynes, MK12 5NW, United Kingdom



Copyright

© 2021 GIGABYTE TECHNOLOGY CO., LTD

Copyright by GIGA-BYTE TECHNOLOGY CO., LTD. ("GBT"). No part of this manual may be reproduced or transmitted in any form without the expressed, written permission of GBT.

Trademarks

Third-party brands and names are the properties of their respective owners.

Notice

Please do not remove any labels on this graphics card box. Doing so may void the warranty of this card. Due to rapid change in technology, some of the specifications might be out of date before publication of this manual. The author assumes no responsibility for any errors or omissions that may appear in this document nor does the author make a commitment to update the information contained herein.

12WE6-N38TEB-0*R