

DA-LITE[®]
A brand of  **legrand**[®]

Cosmopolitan[®] Series

SPECIFICATION DATA

Table of Contents

Cosmopolitan®

Previously Named: Cosmopolitan Electrol®

Cosmopolitan (Over 12' W)

Previously Named: Large Cosmopolitan Electrol

SUGGESTED SPECIFICATIONS: _____ projection screen(s), _____ (H) x _____ (W), electrically operated 120 volt (60 Hz) not more than 2.4 amp. Shall have specially designed motor mounted inside the roller, to be three wire with ground quick reversal type, oiled for life, with automatic thermal overload cut-out, integral gears, capacitor and an electric brake to prevent coasting. To have pre-set but adjustable limit switches to automatically stop picture surface in the "up" and "down" positions. The roller to be of rigid metal. Screen fabric to be flame retardant and mildew resistant fiberglass with

black masking borders standard. Bottom of fabric shall be formed into a pocket holding a metal rod. Case to be powder coated white 21-gauge steel, hexagon in shape with flat back to prevent scraping fabric. Case end caps to be heavy duty, allowing no exposed roller pins. End caps shall form sturdy brackets for wall or ceiling installation. To be complete with three position control switch with cover plate. Screen to be listed by Underwriters' Laboratories.



HDTV (16:9) Format Dimensions (2" Standard Black Drop At Top)

Viewing Area (H x W)		Nominal Diagonal		Case		B - Between Hanger Eyes		Approx. Hang. Wt.		Approx. Ship. Wt.	
In.	Cm	In.	Cm	In.	Cm	In.	Cm	Lbs.	Kg	Lbs.	Kg
45" x 80"	114 x 203	92"	234	92"	234	90½"	230	47	21.3	48	21.8
52" x 92"	132 x 234	106"	269	104"	264	102½"	260	52	23.6	51	23.1
54" x 96"	137 x 244	110"	279	108"	274	106½"	271	54	24.5	53	24.0
58" x 104"	147 x 264	119"	302	116"	295	114½"	291	58	26.3	56	25.4
65" x 116"	165 x 295	133"	338	128"	325	126½"	321	64	29	65	29.5
78" x 139"	198 x 353	159"	404	152"	386	150½"	382	76	34.5	85	38.6

Wide (16:10) Format Dimensions (2" Standard Black Drop At Top)

Viewing Area (H x W)		Nominal Diagonal		Case		B - Between Hanger Eyes		Approx. Hang. Wt.		Approx. Ship. Wt.	
In.	Cm	In.	Cm	In.	Cm	In.	Cm	Lbs.	Kg	Lbs.	Kg
50" x 80"	127 x 203	94"	239	92"	234	90½"	230	48	21.8	48	21.8
57½" x 92"	146 x 234	109"	277	104"	264	102½"	260	53	24	51	23.1
60" x 96"	152 x 244	113"	287	108"	274	106½"	271	55	24.9	53	24.0
65" x 104"	165 x 264	123"	312	116"	295	114½"	291	59	26.8	60	27.2
69" x 110"	175 x 279	130"	330	122"	310	120½"	306	62	28.1	61	27.7
72½" x 116"	184 x 295	137"	348	128"	325	126½"	321	65	29.5	65	29.5
87" x 139"	221 x 353	164"	417	152"	386	150½"	382	77	34.9	85	38.6

Video (NTSC 4:3) Format Dimensions (2" Standard Black Drop At Top)

Viewing Area (H x W)		Nominal Diagonal		Case		B - Between Hanger Eyes		Approx. Hang. Wt.		Approx. Ship. Wt.	
In.	Cm	In.	Cm	In.	Cm	In.	Cm	Lbs.	Kg	Lbs.	Kg
43" x 57"	109 x 145	72"	183	68"	173	66½"	169	37	16.8	37	16.8
50" x 67"	127 x 170	84"	213	78"	198	76½"	194	42	19	41	18.6
60" x 80"	152 x 203	100"	254	92"	234	90½"	230	48	21.8	48	21.8
69" x 92"	175 x 234	120"	305	104"	264	102½"	260	54	24.5	52	23.6
87" x 116"	221 x 295	150"	381	128"	325	126½"	321	67	30.4	75	34.0
105" x 140"	267 x 356	180"	457	152"	386	150½"	382	81	36.7	92	41.7

Square Format Dimensions

Sizes (H x W)		A - Overall Length of Case		B - Between Hanger Eyes		Approx. Hang. Wt.		Approx. Ship. Wt.	
In.	Cm	In.	Cm	In.	Cm	Lbs.	Kg	Lbs.	Kg
60" x 60"	152 x 152	68"	172	66½"	169	36	16.3	38	17.2
70" x 70"	178 x 178	78"	198	76½"	194	42	19	41	18.6
84" x 84"	213 x 213	92"	234	90½"	230	50	22.7	49	22.2
8' x 8'	244 x 244	104"	264	102½"	260	57	25.9	55	25.0
9' x 9'	274 x 274	116"	295	114½"	291	64	29	62	28.1
10' x 10'	305 x 305	128"	325	126½"	321	71	32.2	78	35.4

*Includes 2" Standard Black Drop

PRODUCT NOTES

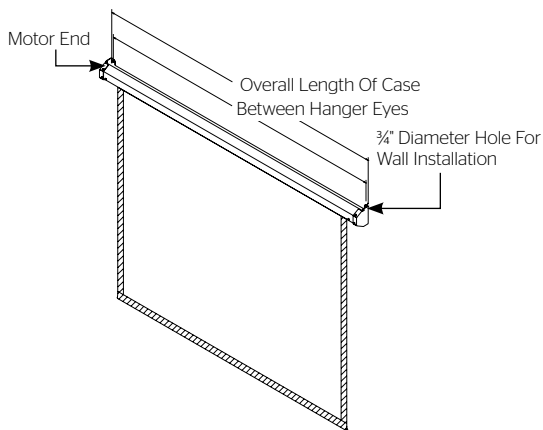
- **Matte White:** Horizontal seam required when both dimensions exceed 10'.
- **High Contrast Matte White:** Available in sizes where both dimensions do not exceed 8'.
- Overall case length dimensions +/- 1/4" (6mm).
- Specifications subject to change without notice.
- Custom formats and sizes available upon request.

WHEN ORDERING, MARK APPROPRIATE SELECTIONS:

1. Select size from charts on the other side.
2. Select viewing surface (All Da-Lite surfaces are GREENGUARD GOLD Certified):
Matte White
High Contrast Matte White
3. Options:
Extra drop available to lower picture area more than normal. Specify total drop at top ____ (black or white) or at bottom ____ (black or white). 13' maximum total surface height including picture area.
No borders (Black masking borders standard)
Single Motor Low Voltage Control (LVC) - built-in

- Silent Motor (available on sizes up to 10' x 10')
- Silent Motor with Integrated LVC (on sizes up to 10' x 10')
- 220 Volt (50 Hz) Motor
- Black case (white standard)

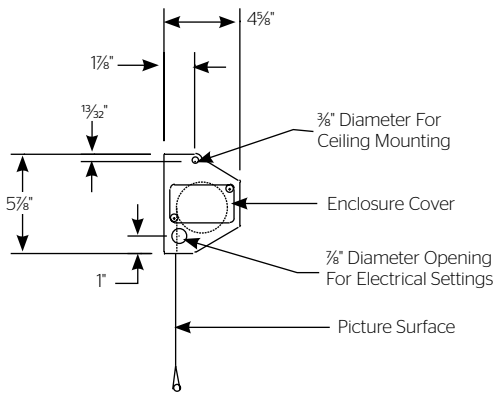
PRODUCT VIEWS



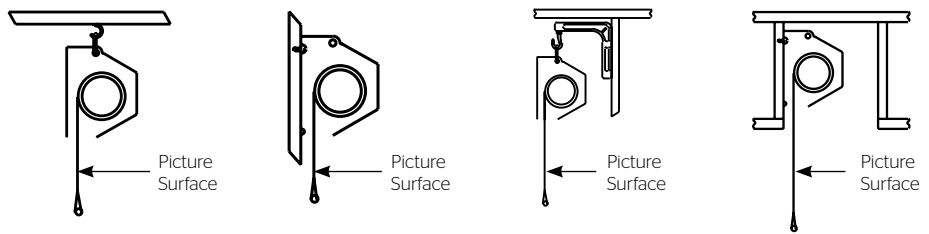
4. Optional Accessories:

- External Low Voltage Control (LVC)
- Screen Controller (TCP/IP, RS232, Dry Contact, and VPI/Trigger). (NOTE: Requires Integrated or External LVC)
- Radio Frequency (BLE) Remote
- Infrared Remote
- PoE Injector
- Key Locking Cover Plate for 120 V Switch or LVC Switch
- Key Operated Switch for 120 V only (Note: Cannot be used with LVC)
- Floating Mounting Bracket - recommended for drywall installations (black or white)
- No. 6 Wall Bracket - 6" non-adjustable extension brackets (140# maximum per pair) (black or white)
- Ceiling Trim Kit - built-in LVC recommended

Left View



SUGGESTED METHODS OF INSTALLATION



Ceiling Mounted

Wall Mounted

Behind Beam or Valance
(use No. 6 Brackets)

Concealed

Project Name: _____

Architect: _____

Contractor: _____ Phone: _____

Reseller: _____ Phone: _____

Cosmopolitan® (Over 12' W)

Previously Named: Large Cosmopolitan Electrol®

SUGGESTED SPECIFICATIONS: _____ projection screen(s), _____(H) x _____(W), electrically operated 120 volt (60 Hz) not more than 2.4 amp. Shall have specially designed motor mounted inside the roller to be three wire with ground quick reversal type, oiled for life, with automatic thermal overload cut-out, integral gears, capacitor and an electric brake to prevent coasting. To have pre-set but adjustable limit switches to automatically stop picture surface in the "up" and "down" positions. The roller

to be of aluminum. Screen fabric to be flame retardant and mildew resistant fiberglass with black masking borders standard. Bottom of fabric shall be formed into a pocket holding a metal rod. Case to be a two-piece design made of extruded aluminum with a white, lightly textured powder coat finish. End caps to be plastic with integrated junction box. To be complete with three position control switch with cover plate. Screen to be listed by Underwriters' Laboratories.



HDTV (16:9) Format Dimensions (2" Standard Black Drop at Top)

Viewing Area (H x W)		Nominal Diagonal		Overall Length of Case		Approx. Hanging Wt.		Approx. Shipping Wt.	
In.	Cm	In.	Cm	In.	Cm	Lbs.	Kg	Lbs.	Kg
92" x 164"	234 x 417	188"	478	177½"	451	171	77.6	376	170.6
106" x 188"	269 x 478	216"	549	201½"	512	194	88.0	440	199.6

Wide (16:10) Format Dimensions (2" Standard Black Drop at Top)

Viewing Area (H x W)		Nominal Diagonal		Overall Length of Case		Approx. Hanging Wt.		Approx. Shipping Wt.	
In.	Cm	In.	Cm	In.	Cm	Lbs.	Kg	Lbs.	Kg
100" x 160"	254 x 406	189"	480	173½"	441	170	77.1	371	168.3
110" x 176"	279 x 447	208"	528	189½"	481	186	84.4	417	189.1
117½" x 188"	298 x 478	222"	564	201½"	512	198	89.8	443	200.9

Video (NTSC 4:3) Format Dimensions (2" Standard Black Drop at Top)

Viewing Area (H x W)		Nominal Diagonal		Overall Length of Case		Approx. Hanging Wt.		Approx. Shipping Wt.	
In.	Cm	In.	Cm	In.	Cm	Lbs.	Kg	Lbs.	Kg
120" x 160"	305 x 406	200"	508	173½"	441	175	79.4	376	170.6
123" x 164"	312 x 417	210"	533	177½"	451	179	81.2	384	174.2
141" x 188"	358 x 478	240"	610	201½"	512	205	93.0	450	204.1

Square Format Dimensions

Sizes (H x W)		Overall Length of Case		Approx. Hanging Wt.		Approx. Shipping Wt.	
In.	Cm	In.	Cm	Lbs.	Kg	Lbs.	Kg
12' x 12'	366 x 366	153½"	390	163	73.9	350	158.8
14' x 14'	427 x 427	177½"	451	193	87.5	399	181.0
16' x 16'	488 x 488	201½"	512	222	100.7	469	212.7

PRODUCT NOTES

- **Matte White:** Seamless in all standard sizes.
- **High Contrast Matte White:** Available in sizes where both dimensions do not exceed 8'.
- Overall case length dimensions +/- ¼" (6 mm).
- Detail dimensional drawings, wiring diagrams and installation instructions available upon request.
- Specifications subject to change without notice.
- Custom formats and sizes available upon request.

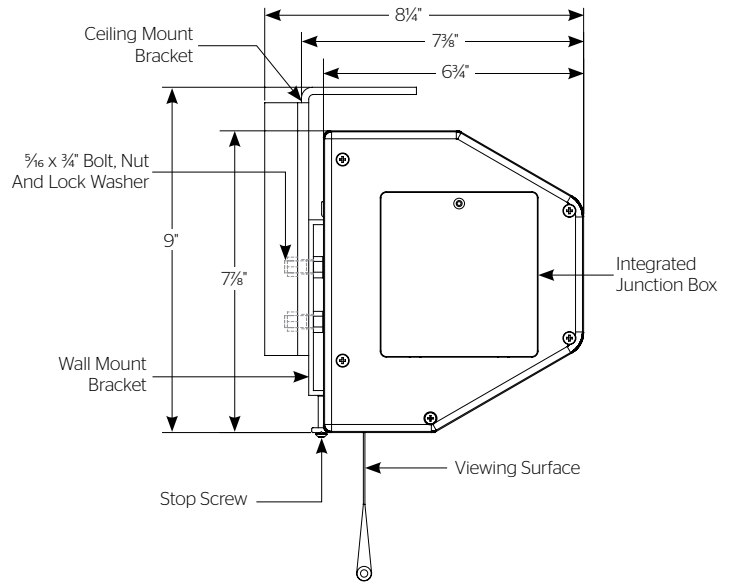
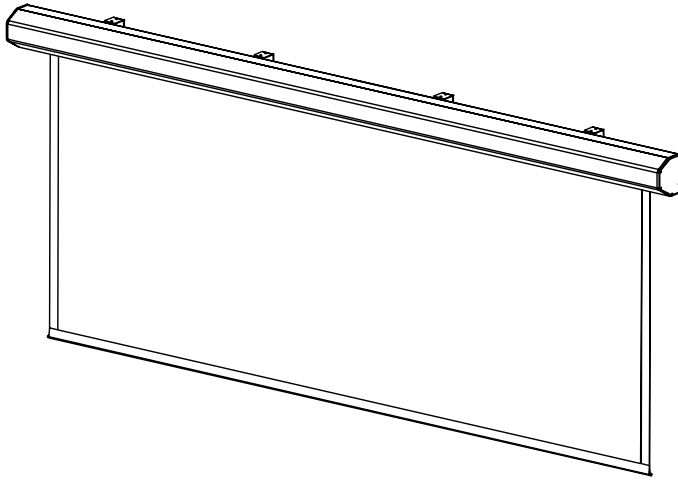
WHEN ORDERING, MARK APPROPRIATE SELECTIONS

- Select size from charts above.
- Select viewing surface (All Da-Lite surfaces are GREENGUARD GOLD Certified.):

Matte White	High Contrast Matte White
-------------	---------------------------
- Options:

Extra drop available to lower picture area more than normal. Specify total drop at top ____ (black or white) or at bottom ____ (black or white). 16' maximum total surface height including picture area. No borders (black masking borders standard)	Single Motor Low Voltage Control System (LVC) - built-in 220 Volt (50 Hz) Motor Black case (white standard)
--	---
- Optional accessories:

External Low Voltage Control (LVC) Screen Controller (TCP/IP, RS232, Dry Contact, and VPI/Trigger). (NOTE: Requires Integrated or External LVC) Radio Frequency (BLE) Remote Infrared Remote PoE Injector	Key Locking Cover Plate for 120 V Switch or LVC Switch Key Operated Switch for 120 V only (Note: Cannot be used with LVC)
---	--



Project Name:	_____
Architect:	_____ Phone: _____
Contractor:	_____ Phone: _____
Supervisor:	_____ Phone: _____
Supplier:	_____ Date: _____
Revised:	_____

LEGRAND | AV COMMERCIAL BRANDS
C2G | Chief | Da-Lite | Luxul | Middle Atlantic | Vaddio | Wiremold

FOR YOUR IMAGE | legrandav.com

USA 866.977.3901 av.da-lite.support@legrand.com CANADA 877.345.4329 av.da-lite.support@legrand.com

EMEA +31 495 580 840 av.emea.sales@legrand.com APAC +852 2145 4099 av.asia.sales@legrand.com

©2026 Legrand AV Inc. 200060 Rev B 4/26 Da-Lite is a registered trademark of Legrand AV Inc. All other brand names or marks are used for identification purposes and are trademarks of their respective owners. All patents are protected under existing designations. Other patents pending.