

Universal Projector Wall Mount



Actual product may vary from photos

User Manual

SKU#: PROJWALLMNT

Compliance Statements

Use of Trademarks, Registered Trademarks, and other Protected Names and Symbols

This manual may make reference to trademarks, registered trademarks, and other protected names and/or symbols of third-party companies not related in any way to StarTech.com. Where they occur these references are for illustrative purposes only and do not represent an endorsement of a product or service by StarTech.com, or an endorsement of the product(s) to which this manual applies by the third-party company in question. Regardless of any direct acknowledgement elsewhere in the body of this document, StarTech.com hereby acknowledges that all trademarks, registered trademarks, service marks, and other protected names and/or symbols contained in this manual and related documents are the property of their respective holders.

PHILLIPS® is a registered trademark of Phillips Screw Company in the United States or other countries.

Safety Statements

Safety Measures

- Product installation and/or mounting should be completed by a certified professional as per the local safety and building code guidelines.

Mesures de sécurité

- L'installation et/ou le montage du produit doit être réalisé par un professionnel certifié et dans le respect des normes locales et du code de construction local.

安全対策

- 製品の設置やマウントは、使用地域の安全ガイドラインおよび建築基準に従い、有資格の専門業者が行うようにしてください。

Misure di sicurezza

- L'installazione e/o il montaggio dei prodotti devono essere eseguiti da un tecnico professionale certificato che conosca le linee guida locali sulle norme edilizie e sulla sicurezza.

Säkerhetsåtgärder

- Installation och/eller montering får endast göras av behöriga yrkespersoner och enligt gällande lokala förordningar för säkerhet och byggnormer.

Warning Statements

- Make sure to assemble this product according to the instructions. Failure to do so might result in personal injury or property damage.
- Never use this product if parts are missing or damaged.
- The projector wall mount is designed to be installed on a wood stud, solid concrete, or cinder block wall. The wall structure should also be capable of supporting at least four times the weight of the mounted equipment.
- The mounting hardware included with this product may not be adequate for installation on certain wall structures. Failure to comply with these warnings may result in personal injury or damage to the equipment.
- If you lack the necessary expertise to attach this product to the wall structure that you're using, contact a construction professional to install the wall mount or to provide specific mounting instructions for your wall structure.

Mensagens de Aviso

- Certifique-se de que monta este produto de acordo com as instruções. O incumprimento pode resultar em ferimentos pessoais ou danos de propriedade.
- Nunca opere este produto se faltarem peças ou estas estiverem danificadas.
- As estruturas de parede variam e é importante certificar-se de que o tipo de estrutura de parede e hardware de montagem que está a usar irá suportar devidamente o equipamento montado. O incumprimento pode resultar em ferimentos pessoais e/ou danos no equipamento. A estrutura de parede deve ser capaz de suportar pelo menos quatro vezes o peso do equipamento montado.
- O hardware de montagem incluído com este produto pode não ser adequado para algumas estruturas de parede. Se não tiver o conhecimento necessário para fixar este produto à estrutura de parede que está a usar, contacte um profissional de construção para fazer a instalação em parede ou para fornecer instruções de montagem específicas para a sua estrutura de parede.

Varningsmeddelanden

- Se till att du monterar produkten i enlighet med instruktionerna. Om du inte gör det kan skada på person eller egendom uppstå.
- Använd aldrig produkten om delar saknas eller är skadade.
- Eftersom väggstrukturer varierar är det viktigt att kontrollera att väggstrukturen och monteringsutrustningen som du använder klarar av

den monterade utrustningen. Om du inte gör det kan skada på person och/eller utrustning uppstå. Väggestrukturen ska kunna klara av minst fyra gånger vikten av den monterade utrustningen.

- Monteringsutrustningen som medföljer produkten kanske inte är lämplig för vissa väggstrukturer. Om du saknar nödvändiga kunskaper för att fästa denna produkt på väggstrukturen som du använder, kontakta en professionell konstruktör för att installera väggmonteringen eller för att ge specifika monteringsinstruktioner för din väggstruktur.

Advertencias de Uso

- Asegúrese de ensamblar este producto según las instrucciones. De lo contrario, pueden producirse lesiones personales o daños en la propiedad.
- Nunca opere o ponga en funcionamiento este producto si faltan piezas o hay daños en las mismas.
- Las estructuras de las paredes pueden variar y, por tanto, es importante determinar con certeza que el tipo de estructura de la pared y el hardware de montaje que se va a utilizar puedan soportar debidamente el equipo. De lo contrario, se pueden producir lesiones personales o daños en el mismo. La estructura de la pared debe ser capaz de soportar al menos cuatro veces el peso del componente instalado.
- El hardware de montaje incluido con este producto puede no ser adecuado para algunas estructuras de pared. Si no tiene la experiencia suficiente para fijar este producto a la estructura de la pared correspondiente, póngase en contacto con un profesional de la construcción para instalar el soporte de pared o para que le proporcione las instrucciones específicas de montaje para su estructura de pared.

Avertissements

- Assemblez ce produit conformément aux instructions. Si vous ne respectez pas ces instructions, vous risquez de vous blesser ou d'endommager l'équipement.
- N'utilisez pas ce produit si des pièces sont endommagées ou manquantes.
- Les structures des murs varient. Vous devez impérativement vérifier que le type de mur et le matériel de fixation que vous utilisez permettent de soutenir correctement l'équipement. Dans le cas contraire, vous risquez des blessures corporelles ou des dommages matériels. La structure du mur doit pouvoir supporter au moins quatre fois le poids de l'équipement monté.
- Le matériel de fixation inclus avec ce produit n'est pas forcément approprié pour toutes les structures de murs. Si vous ne disposez pas des compétences

nécessaires pour installer ce produit au mur, contactez un professionnel afin qu'il installe le support mural ou qu'il vous fournisse les instructions de montage spécifiques à votre structure de mur.

Waarschuwingen

- Zorg dat dit product volgens de instructies in elkaar wordt gezet. Indien dit niet goed gebeurt kan lichamelijk letsel of materiële schade ontstaan.
- Gebruik dit product nooit als er onderdelen ontbreken of beschadigd zijn.
- Omdat wanden verschillen, is het belangrijk dat u ervoor zorgt dat het type wandstructuur en de montagemiddelen die u gebruikt de gemonteerde apparatuur goed ondersteunen. Indien u dit niet doet kan lichamelijk letsel en/of schade aan de apparatuur ontstaan. De wandstructuur moet voldoende zijn om ten minste vier keer het gewicht van de gemonteerde apparatuur te ondersteunen.
- De bij dit product geleverde montagemiddelen kunnen niet geschikt zijn voor sommige wandstructuren. Als u onvoldoende kennis hebt om dit product aan de door u gebruikte wandstructuur te bevestigen, neem dan contact op met een bouwkundige om de steun aan de muur te installeren of specifieke montage-instructies voor uw wandstructuur te geven.

Warnhinweise

- Montieren Sie dieses Produkt gemäß den Anweisungen. Anderenfalls kann dies zu Verletzungen von Personen oder Schäden an Eigentum führen.
- Das Produkt darf nicht bedient werden, wenn Teile fehlen oder beschädigt sind.
- Wandstrukturen unterscheiden sich, und es muss sichergestellt werden, dass die Wand und das verwendete Montagematerial das montierte Gerät halten kann. Anderenfalls kann dies zu Verletzungen von Personen und/oder Schäden an Geräten führen. Die Wand muss mindestens das Vierfache des Gewichts des montierten Geräts halten können.
- Das mitgelieferte Montagematerial ist möglicherweise nicht für jede Wand geeignet. Wenn Ihnen die nötigen Fachkenntnisse zum Anbringen dieses Produkts an einer Wand fehlen, lassen Sie einen Fachmann den Wandhalter anbringen, oder lassen Sie sich von einem Fachmann Montageanweisungen für Ihre Wand erteilen.

注意

- 必ず取扱説明書に従って本製品の組み立てを行って下さい。取り扱いを誤った場合に、傷害を負う恐れや物的損害が発生する恐れがあります。
- 本製品で使用している部品の一部が紛失していたり損傷している状態で使用するのには絶対に止めて下さい。
- 壁の構造はお客様の環境ごとに異なります。ご使用になる壁の構造タイプと取付け金具が、取り付けモニターを確実に支持することを確認して下さい。確認を怠った場合、傷害を負う恐れや物的損害が発生する恐れがあります。壁の構造が、取り付けモニター重量の最低4倍まで支持できるだけの強度を持っていないければなりません。
- 本製品に同梱されている取付け金具は、ご使用になる壁の構造に対して十分ではない場合があります。本製品を壁面に取り付けるとき、十分な専門知識が不足していると判断された場合、専門業者に連絡を取って、本製品の取り付けを行ってもらうか、お客様の壁の構造に適した取り付け方法を教えてもらってから取り付けを行って下さい。

Dichiarazioni di avvertenza

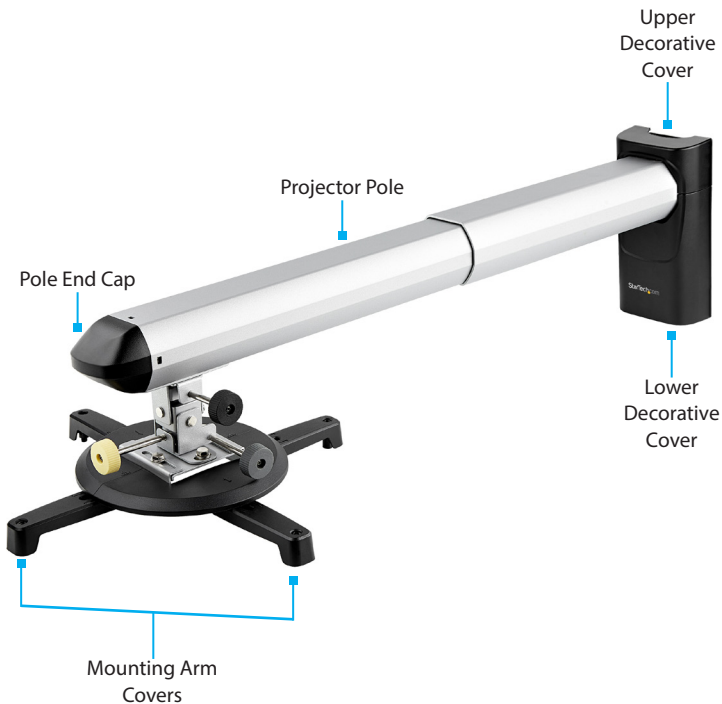
- Assemblare il prodotto rispettando le istruzioni. Il mancato rispetto delle istruzioni potrebbe causare danni a persone o proprietà.
- Non utilizzare il prodotto in presenza di parti mancanti o danneggiate.
- Le caratteristiche dei muri sono variabili ed è importante verificare che la struttura muraria e l'hardware di montaggio in uso siano in grado di supportare adeguatamente le apparecchiature montate. Il mancato rispetto delle istruzioni potrebbe causare danni a persone o proprietà. La struttura muraria deve essere in grado di supportare un peso almeno quattro volte superiore a quello dell'apparecchiatura montata.
- L'hardware di montaggio incluso con il prodotto potrebbe non essere adeguato ad alcune strutture murarie. Se l'utente non dispone delle competenze necessarie per agganciare il prodotto alla struttura muraria in uso, dovrà contattare un professionista edile per installare il supporto a parete o ottenere istruzioni di montaggio per la struttura muraria in uso.

Table of Contents

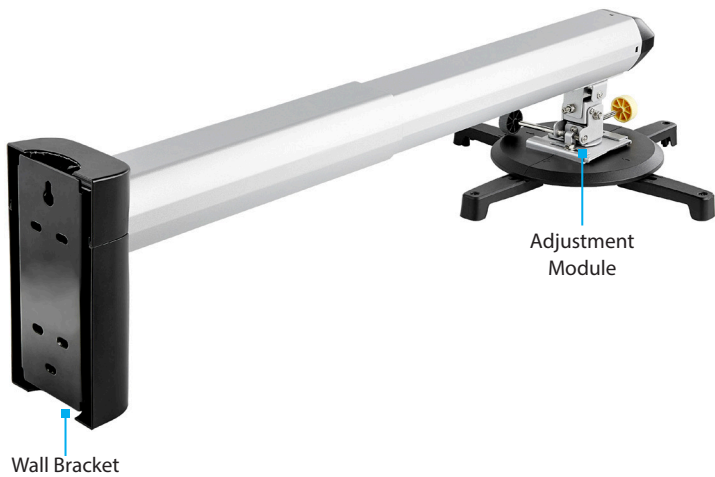
Compliance Statements.....	i
Safety Statements.....	ii
Warning Statements.....	iii
Product Diagram	1
Front-Side View.....	1
Rear-Side View.....	2
Adjustment Knobs.....	3
Product Dimensions.....	4
Product Information.....	5
Package Contents	5
Technical Specifications.....	8
Installation.....	9
Fasten the Wall Bracket to a Wall	9
Attach the Mounting Arms.....	10
Attach the Adjustment Module	12
Attach the Projector Mount Assembly	13
Cable Management	17
Operation.....	18
Adjust the Wall Mount Tilt Angle.....	18
Adjust the Swivel.....	19
Adjust the Tilt.....	20
Adjust the Rotation	21
Adjust the Horizontal Lateral Position.....	22
Warranty Information	23

Product Diagram

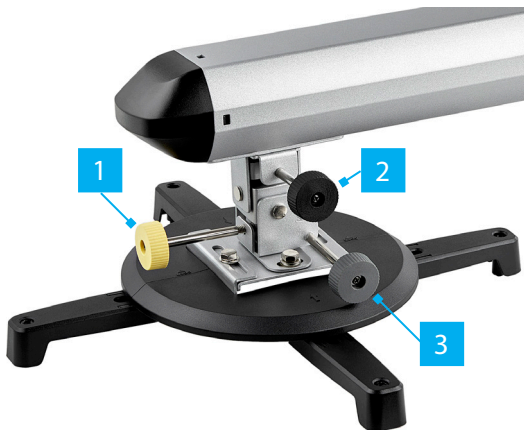
Front-Side View



Rear-Side View



Adjustment Knobs



1) Tilt

Turn clockwise to adjust the picture down.

Turn counterclockwise to adjust the picture up.

2) Rotate

Turn clockwise to adjust the picture counterclockwise.

Turn counterclockwise to adjust the picture clockwise.

3) Swivel

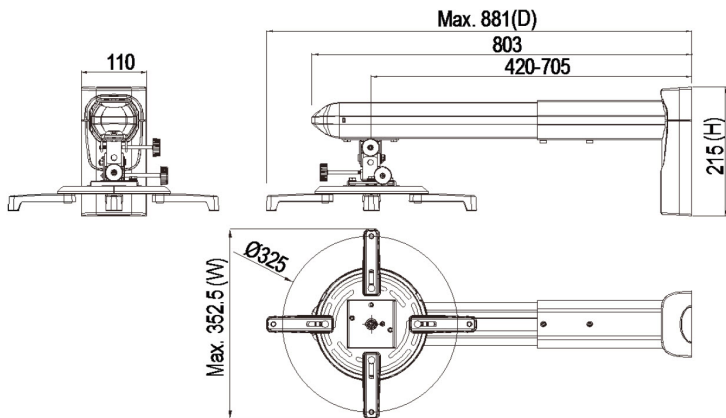
Turn clockwise to adjust the picture to the right.

Turn counterclockwise to adjust the picture to the left.

Note: An **Adjustment Screw** must be loosened before the **Grey Adjustment Knob** can be turned. See the [Adjust the Swivel Angle](#) section for more information.

Product Dimensions

Note: All measurements are listed in millimeters.



Product Information

Package Contents



Wall Bracket

Qty: 1



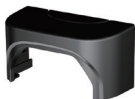
Projector Pole

Qty: 1



Pole End Cap

Qty: 1



Upper Decorative
Wall Cover

Qty: 1



Lower Decorative
Wall Cover

Qty: 1



Adjustment
Module

Qty: 1



Right
Adjustment
Module Cover

Qty: 1



Left Adjustment
Module Cover

Qty: 1



Mounting Arms

Qty: 4



Mounting Arm
Covers

Qty: 4



Hinge Connector

Qty: 1



Wall Anchors

Qty: 6



Mounting Screws

Qty: 6



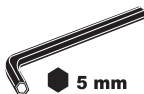
Washers

Qty: 4



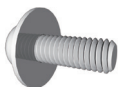
10 mm Wrench

Qty: 1



5 mm Hex Key

Qty: 1



M3 x 24 mm
Screws

M4 x 24 mm
Screws

M5 x 24 mm
Screws

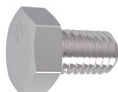
M6 x 24 mm
Screws

Qty: 4 (Of Each)



M6 x 8 mm Hex
Screws

Qty: 4 (Of Each)



M6 x 10 mm
Screws

Qty: 2



M6 x 25 mm
Hex Screw

Qty: 1



Nuts

Qty: 4



User Manual

Qty: 1

Requirements

- Phillips Head Screwdriver
- Spirit/Bubble Level
- Mounting Surface
- (Optional) Two People for the Installation

Technical Specifications

Type of Measurement

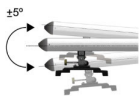
Measurement

Weight Capacity



Up to 33.1 lb. (15 kg)

Tilt



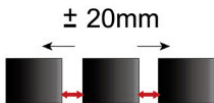
+5° to -5°

Swivel



+10° to -10°

Horizontal Movement



+20 mm to -20 mm

Installation

Fasten the Wall Bracket to a Wall

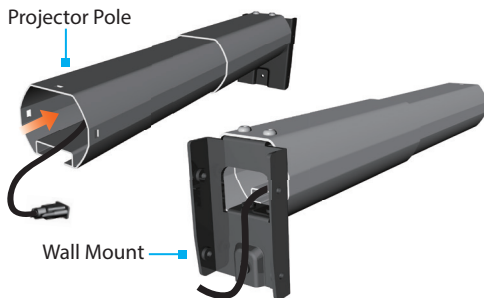
Warning! *The **Universal Projector Wall Mount** is designed to be installed on a wood stud, solid concrete, or cinder block wall. The wall structure should be capable of supporting at least four times the weight of the mounted equipment. The **Mounting Hardware** included with this product may not be adequate for installation on certain wall structures. Contact a construction professional to install the **Universal Projector Wall Mount**. Failure to do so may result in personal injury and/or equipment damage.*

PROJWALLMNT can be mounted using the included [Mounting Hardware](#). Ensure the top of the **Wall Bracket** is level with a **Spirit/Bubble Level** before fastening it to the **Mounting Surface**.

Cable Routing

1. Route the **Power** and **Video Cables** through the **Projector Pole**. (Figure 1)

Figure 1

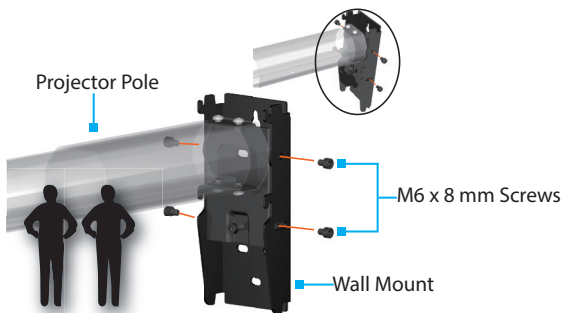


2. (Optional, For In-Wall Cable Management) Feed the **Power** and **Video Cables** into the **Wall**. Connect the **Power Cable** to an available **Power Source**. Connect the **Video Cable** to the **Video Source Device**.
3. Press the **Projector Pole** into the **Wall Mount** and hold the **Projector Pole** in place. Align the four holes in the **Projector Pole** with the four holes in the **Wall Mount**.

Attach the Projector Pole to the Wall Mount

- Thread the four **M6 x 8 mm Hex Screws** through the **Wall Mount** and into the **Projector Pole**. Tighten using the **5 mm Hex Key**.
(Figure 2)

Figure 2



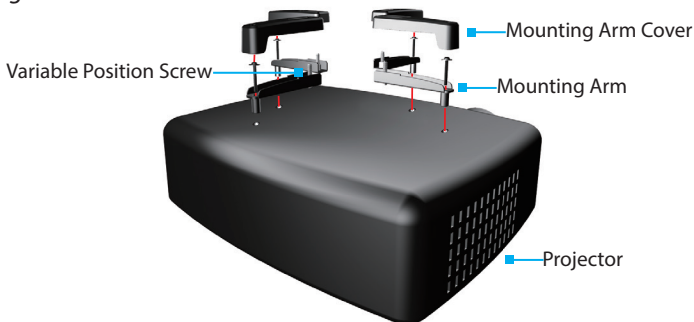
Attach the Mounting Arms

1. Place the **Projector** on a flat and level **Surface**, with the **Mounting Holes** facing upwards.

2. Place the four **Mounting Arms** onto the **Projector**, with the tubular portion of the **Mounting Arms** aligned over the **Mounting Holes** in the **Projector**. (Figure 3)

Note: The threads of the **Variable Position Screws**, that are built into the **Mounting Arms**, should be facing upwards.

Figure 3



3. Thread the appropriately sized **M-Type Screws** (e.g. **M4 x 24 mm Screws**) through the **Mounting Arms** and into the **Projector**.
4. Tighten the **M-Type Screws** with a **Phillips Head Screwdriver**.

Warning! Do not over-tighten the **M-Type Screws**. If you encounter any unexpected resistance, immediately stop and attempt to use a different length of **M-Type Screw**.

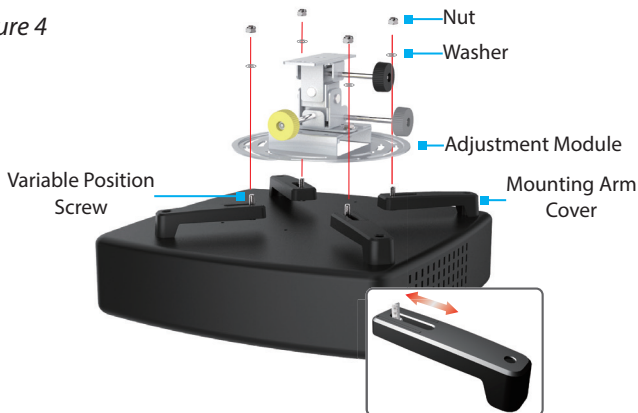
5. Place the **Mounting Arm Covers** over the **Mounting Arms**.

Attach the Adjustment Module

1. Place the **Adjustment Module** onto the **Mounting Arms**. Align the **Variable Position Screws** with the cutouts in the **Adjustment Module**. (Figure 4)

Note: If the **Adjustment Module** does not fit onto the **Mounting Arms**, loosen the **M-Type Screws** with a **Phillips Head Screwdriver** and readjust the position of the **Mounting Arms**. Tighten the **M-Type Screws** once the correct position has been achieved.

Figure 4



2. Place the four **Washers** over the **Variable Position Screws**.
3. Thread the four **Nuts** onto the **Variable Position Screws**. Tighten using the **10 mm Wrench**.
4. Attach the **Right** and **Left Adjustment Module Covers** by sliding the **Covers** together over the **Adjustment Module** until the two **Covers** snap together. (Figure 5)

Note: To remove these **Adjustment Module Covers**, locate the labels that say **Open**. Apply pressure to one of these labels while pulling the two **Covers** apart. Repeat for the other side.

Figure 5



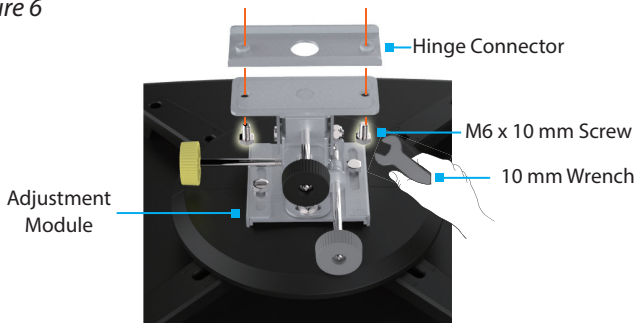
Attach the Projector Mount Assembly

1. Place the **Hinge Connector** onto the **Adjustment Module**. Align the holes in the **Hinge Connector** with the holes in the **Adjustment Module**.

2. Thread the two **M6 x 10 mm Screws** through the **Adjustment Module** and into the **Hinge Connector**. Hand tighten the **M6 x 10 mm Screws** by one rotation. (Figure 6)

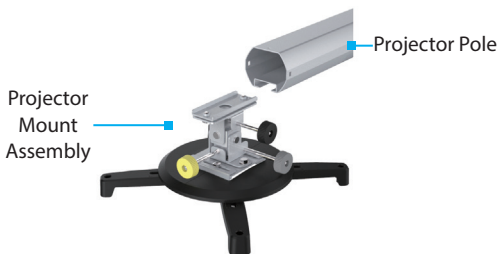
Note: There must be a 2-3 mm gap between the **Adjustment Module** and the **Hinge Connector** in order to complete the following installation steps.

Figure 6



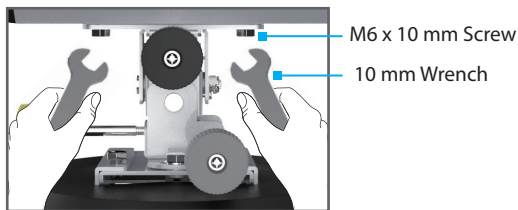
3. Slide the **Projector Mount Assembly** onto the **Projector Pole**. Ensure the grooves in the **Projector Pole** are aligned with the 2-3 mm gap created in **Step 2**. Ensure the weight of the **Projector** is supported during this step. (Figure 7)

Figure 7



4. Tighten the **M6 x 10 mm Screws** that were threaded through the **Adjustment Module** and **Hinge Connector** in **Step 2** using the **10 mm Wrench**. (Figure 8)

Figure 8



5. Attach the **Power and Video Cables** to the **Projector**. (Figure 9)

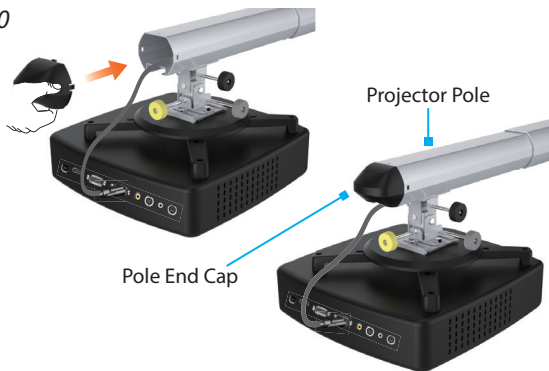
Figure 9



6. Insert the **Pole End Cap** into the **Projector Pole** until it snaps into place. (Figure 10)

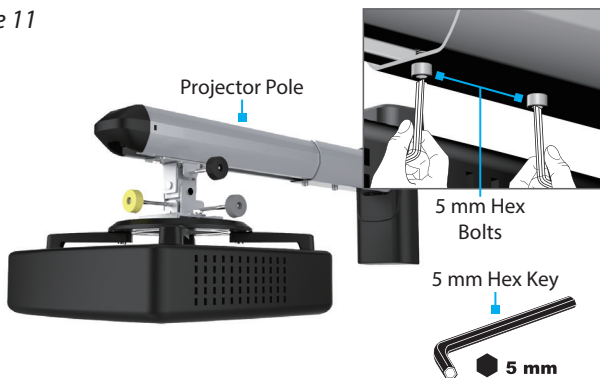
Note: Pinch the sides and top of the **Pole End Cap** during insertion.

Figure 10



7. Adjust the length of the **Projector Pole** by pulling apart to lengthen and pushing together to shorten. Tighten the two **5 mm Hex Bolts** located underneath, using the **5 mm Hex Key**. (Figure 11)

Figure 11



Cable Management

1. Ensure the **Power** and **Video Cables** have been connected to the **Projector**.

(Optional) For On-Wall Cable Management

2. Determine if the **Power** and **Video Cables** will be routed out of the **Upper** or **Lower Decorative Cover**.
3. Break away the **Plastic Tab** on the **Decorative Cover** that was chosen in **Step 2**. (Figure 12)

Figure 12



- Slide the **Upper** and **Lower Decorative Covers** together, over the **Wall Bracket**, until the two **Covers** snap into place.

Note: To remove these **Decorative Covers**, press the sides at the top of the **Lower Decorative Cover** and pull apart.

- Connect the **Power Cable** to an available **Power Source**. Connect the **Video Cable** to the **Video Source Device**.

Operation

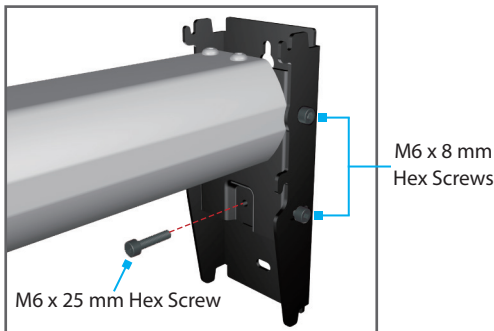
Adjust the Wall Mount Tilt Angle

- Remove the **Upper** and **Lower Decorative Covers**.

Note: To remove these **Decorative Covers**, press the sides at the top of the **Lower Decorative Cover** and pull apart.

2. Loosen the four **M6 x 8 mm Hex Screws** on the side of the **Wall Mount**, using the **5 mm Hex Key**.
3. Insert the **M6 x 25 mm Hex Screw** into the hole in the **Wall Mount** and tighten (angle up) or loosen (angle down), using the **5 mm Hex Key** until the desired angle is met. (Figure 13)

Figure 13



4. Tighten the four **M6 x 8 mm Hex Screws** on the side of the **Wall Mount**, using the **5 mm Hex Key**.
5. Slide the **Upper** and **Lower Decorative Covers** together, over the **Wall Bracket**, until the two **Covers** snap into place.

Adjust the Swivel

1. Loosen the **Adjustment Screw**, located next to the **Grey Adjustment Knob**, using the **10 mm Wrench**.

2. Turn the **Grey Adjustment Knob** in a **Clockwise** direction to adjust the **Projected Image** to the right.

- or -

Turn the **Grey Adjustment Knob** in a **Counterclockwise** direction to adjust the **Projected Image** to the left. (Figure 14)

Figure 14



3. Tighten the **Adjustment Screw**, located next to the **Grey Adjustment Knob**, using the **10 mm Wrench**.

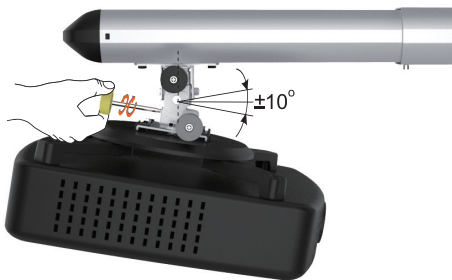
Adjust the Tilt

- Turn the **Yellow Adjustment Knob** in a **Clockwise** direction to adjust the **Projected Image** down.

- or -

- Turn the **Yellow Adjustment Knob** in a **Counterclockwise** direction to adjust the **Projected Image** up. (Figure 15)

Figure 15



Adjust the Rotation

- Turn the **Black Adjustment Knob** in a **Clockwise** direction to rotate the **Projected Image** counterclockwise.
- or -
- Turn the **Black Adjustment Knob** in a **Counterclockwise** direction to rotate the **Projected Image** clockwise. (Figure 16)

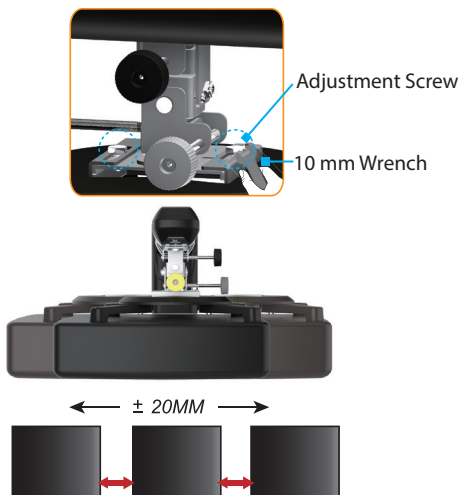
Figure 16



Adjust the Horizontal Lateral Position

1. Loosen the two **Adjustment Screws** located on the top of the **Adjustment Module**, using the **10 mm Wrench**.
2. Slide the **Projector Mount Assembly** to the left or the right to adjust the **Projected Image** to the left or right. (Figure 17)

Figure 17



3. Tighten the two **Adjustment Screws** located on the top of the **Adjustment Module**, using the **10 mm Wrench**.

Warranty Information

This product is backed by a two-year warranty.

For further information on product warranty terms and conditions, please refer to www.startech.com/warranty.

Limitation of Liability

In no event shall the liability of StarTech.com Ltd. and StarTech.com USA LLP (or their officers, directors, employees or agents) for any damages (whether direct or indirect, special, punitive, incidental, consequential, or otherwise), loss of profits, loss of business, or any pecuniary loss, arising out of or related to the use of the product exceed the actual price paid for the product.

Some states do not allow the exclusion or limitation of incidental or consequential damages. If such laws apply, the limitations or exclusions contained in this statement may not apply to you.

Hard-to-find made easy. At StarTech.com, that isn't a slogan. It's a promise.

StarTech.com is your one-stop source for every connectivity part you need. From the latest technology to legacy products — and all the parts that bridge the old and new — we can help you find the parts that connect your solutions.

We make it easy to locate the parts, and we quickly deliver them wherever they need to go. Just talk to one of our tech advisors or visit our website. You'll be connected to the products you need in no time.

Visit www.startech.com for complete information on all StarTech.com products and to access exclusive resources and time-saving tools.

StarTech.com is an ISO 9001 Registered manufacturer of connectivity and technology parts. StarTech.com was founded in 1985 and has operations in the United States, Canada, the United Kingdom and Taiwan servicing a worldwide market.

Reviews

Share your experiences using StarTech.com products, including product applications and setup, what you love about the products, and areas for improvement.

StarTech.com Ltd.

45 Artisans Cres.
London, Ontario
N5V 5E9
Canada

FR: fr.startech.com

DE: de.startech.com

StarTech.com LLP

2500 Creekside Pkwy.
Lockbourne, Ohio
43137
U.S.A.

ES: es.startech.com

NL: nl.startech.com

StarTech.com Ltd.

Unit B, Pinnacle
15 Gowerton Rd.,
Brackmills
Northampton
NN4 7BW
United Kingdom

IT: it.startech.com

JP: jp.startech.com