

Quick Start Guide

IP Cameras



- UA-B580F3
- UA-R500F2
- UA-R560F2
- UA-R580F2
- UA-R800F2

Before attempting to connect or operate this product, please read these instructions carefully and save this manual for future use.

UVSCAM-UM-C



© 2022 USA Vision, Inc. All rights reserved.

Under the copyright laws, this manual may not be copied, in whole or in part, without the written consent of USA Vision.

Every effort has been made to ensure that the information in this manual is accurate. USA Vision makes no expressed or implied warranty of any kind and assumes no responsibility for errors or omissions. No liability is assumed for incidental or consequential damages arising from the use of the information or products contained herein. Features and specifications are subject to change without notice.

USA Vision Systems Inc.

9301 Irvine Blvd,

Irvine, CA 92618, USA

Tel: +1-949-421-5910

Fax: +1-949-583-152

<https://www.geovision.com.tw/us/>

March 2022

Scan the following QR codes for product warranty and technical support policy:



[Warranty]

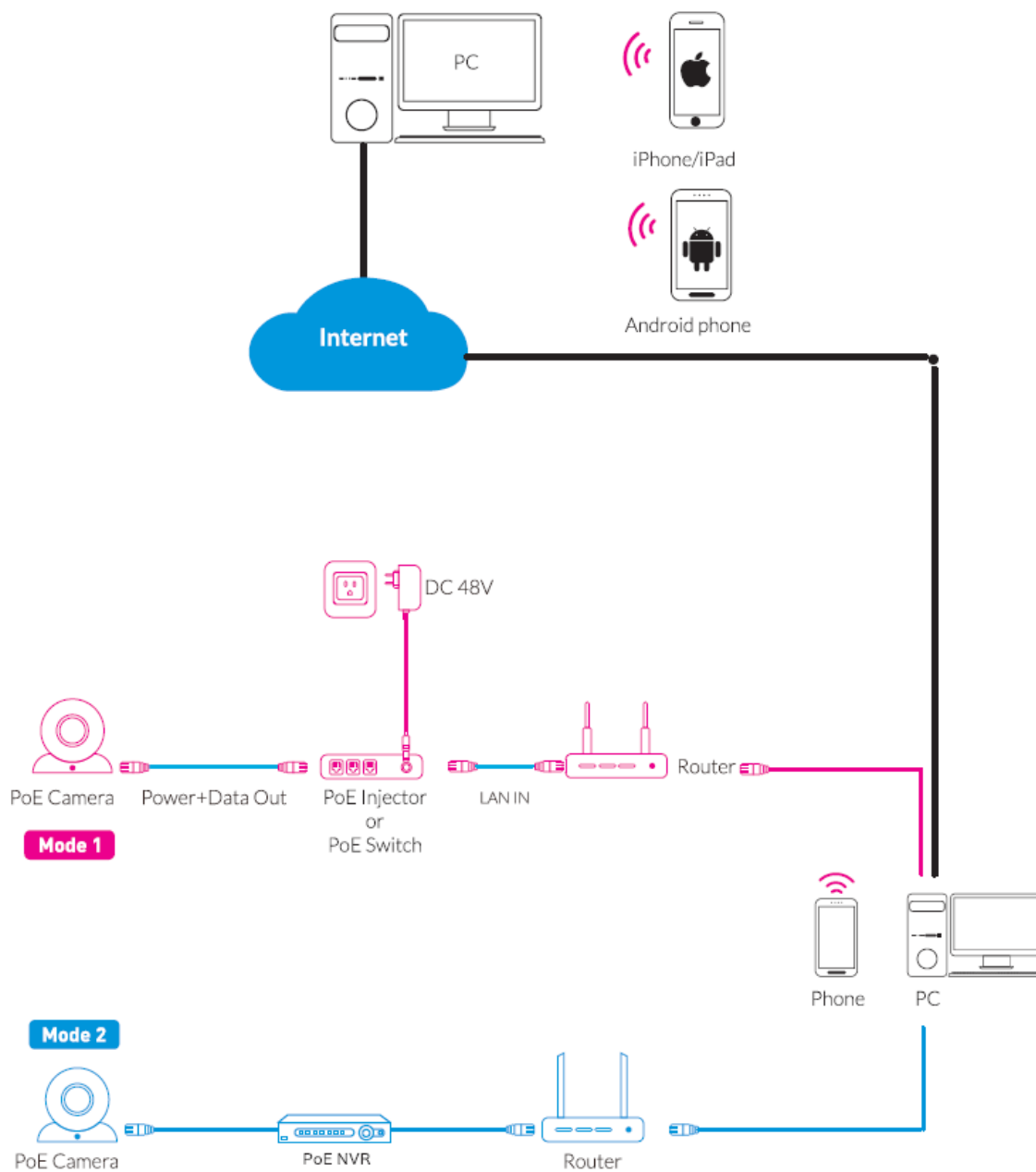


[Technical Support Policy]

Contents

1. Camera Connection Diagram.....	1
2. Camera Overview.....	2
3. Installation.....	4

1. Camera Connection Diagram



Attention: There are two connection modes:

1. For non-PoE router, please connect the camera by a PoE switch or a PoE injector.
2. For a POE NVR, please connect the camera directly to the POE NVR, then follow the below steps.

2. Camera Overview

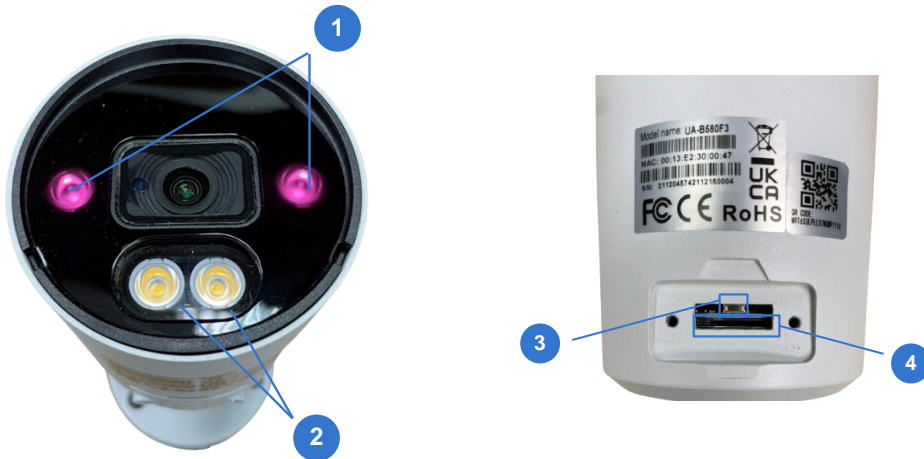
2.1 UA-R500F2 / UA-R560F2 / UA-R580F2 / UA-R800F2



No.	Description	No.	Description
1	IR LED x 2 (For UA-R500F2 / R560F2 / R800F2)	5	Warm LED x 2 (For UA-R580F2)
2	Built-in microphone (For UA-R500F2 / R560F2 / R800F2)	6	Default button
3	IR LED x 2 (For UA-R580F2)	7	SD card slot
4	Built-in microphone (For UA-R580F2)		

Note: Press the default button for 15 seconds to reboot the camera.

2.2 UA-B580F3



No.	Description
1	IR LED x 2
2	Warm LED x 2
3	Default button
4	SD card slot

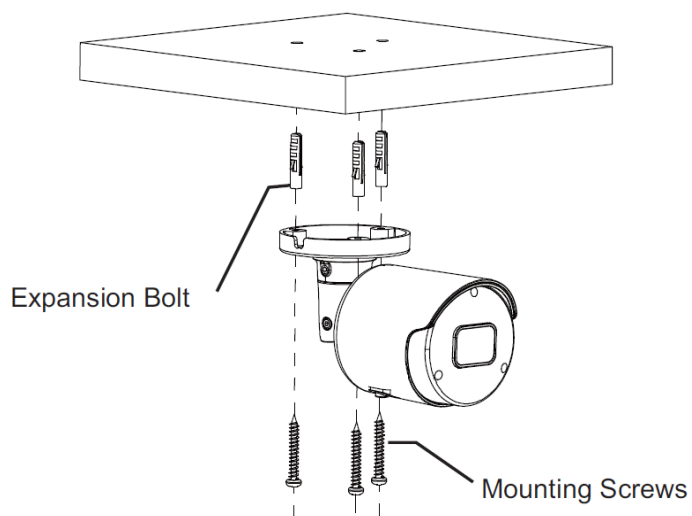
Note: Press the default button for 15 seconds to reboot the camera.

3. Installation

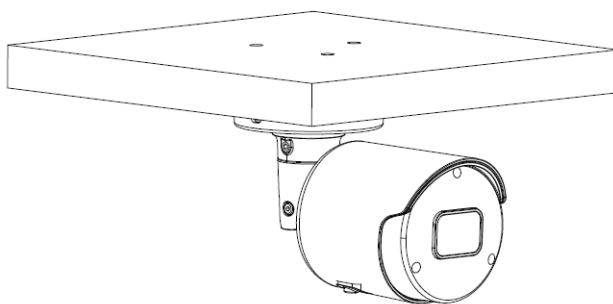
Bullet Camera Installation

Ceiling Mounting

1. Insert three expansion bolts in place into the ceiling and fix the equipment with three mounting screws.



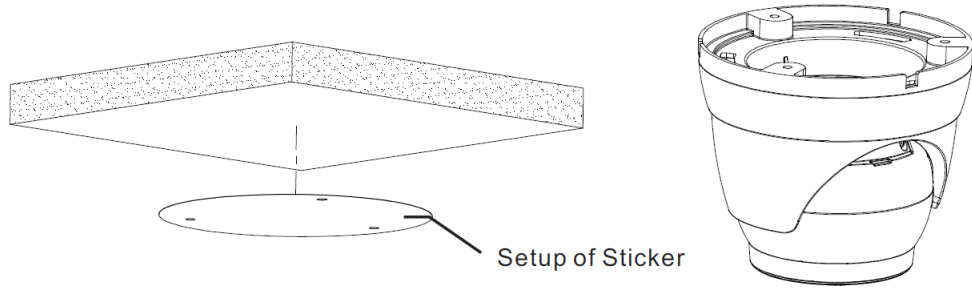
2. Completion of installation.



Dome Camera Installation

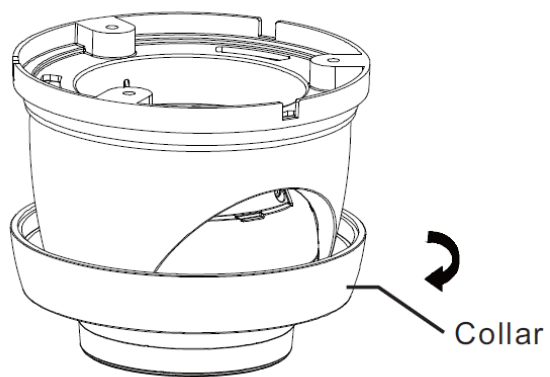
Ceiling Mounting

1. Paste the sticker in place at the proper position as selected.

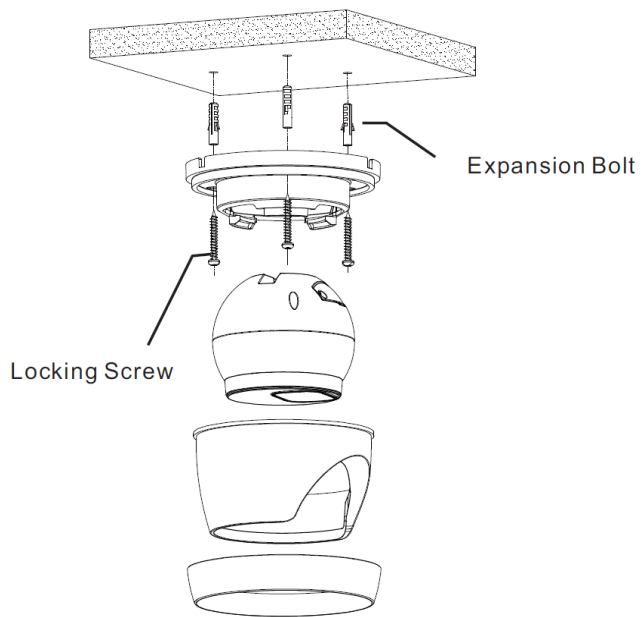


Dome Camera

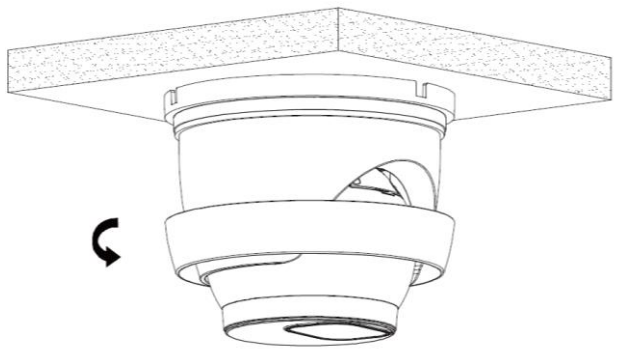
2. Remove the collar off the camera by rotating it down.



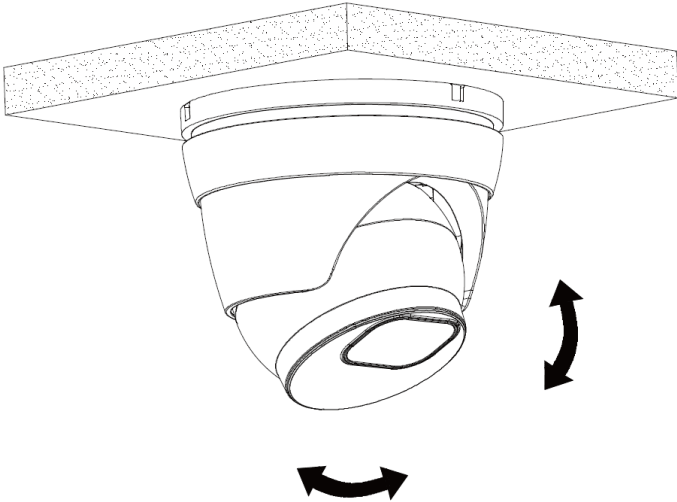
3. Fix the pedestal by drilling locking holes around the sticker and inserting three expansion bolts into the holes and fastening it with three locking screws.



4. Mount the collar back by rotating it up.



5. Adjust it to an appropriate angle.



6. Completion of installation.

