

## Quick Start Guide



Zebra Technologies | 3 Overlook Point | Lincolnshire, IL 60069 USA  
zebra.com

The Zebra wordmark and logo are trademarks of Zebra Technologies Corp., registered in many jurisdictions worldwide. All other trademarks are the property of their respective owners.  
©2025 Zebra Technologies Corp. and/or its affiliates.

## 1 Install the Printer Driver

## IMPORTANT

Download and install the driver for your printer.

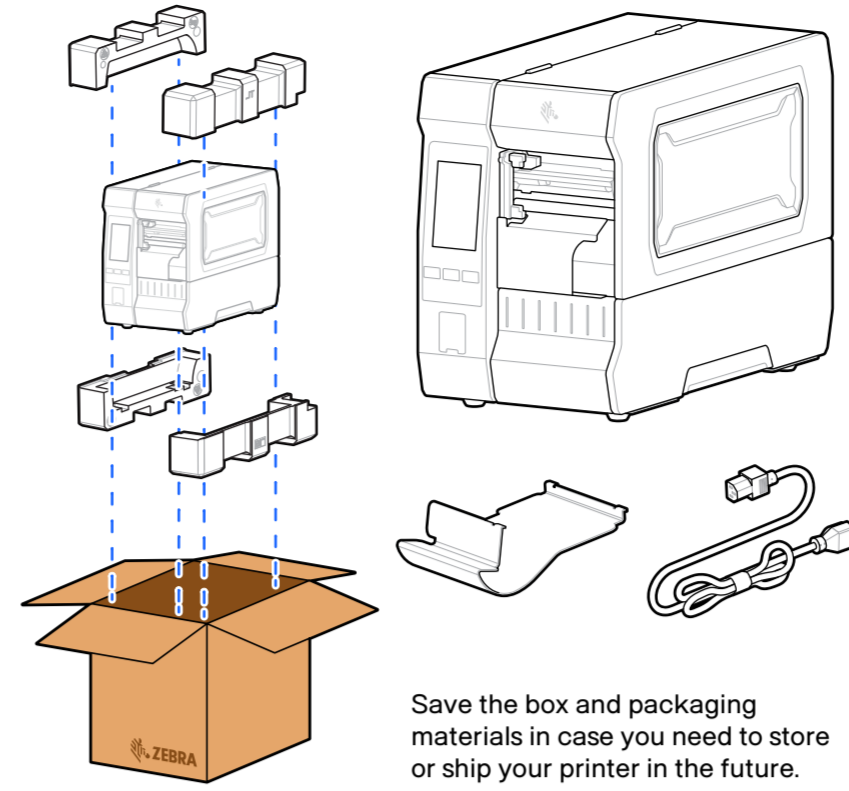


[zebra.com/zt610-info](https://zebra.com/zt610-info)

The driver **MUST** be installed before connecting the printer to the computer, or it will cause complications. If your Microsoft Windows-based computer does not have the driver installed for this printer, download it from [zebra.com/zt610-info](https://zebra.com/zt610-info) and install it before continuing.

## 2 Remove the Printer from the Box

Verify that you have the items shown.

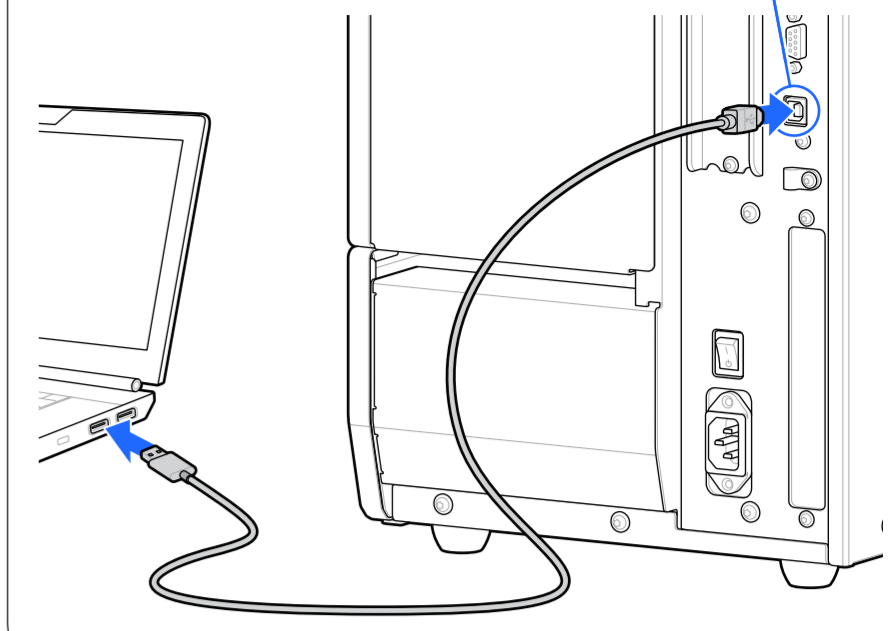


Save the box and packaging materials in case you need to store or ship your printer in the future.

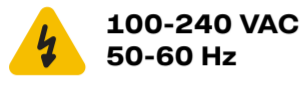
## 3 Connect the USB Cable

**NOTE:** You must provide your own USB cord before you can continue with the installation.

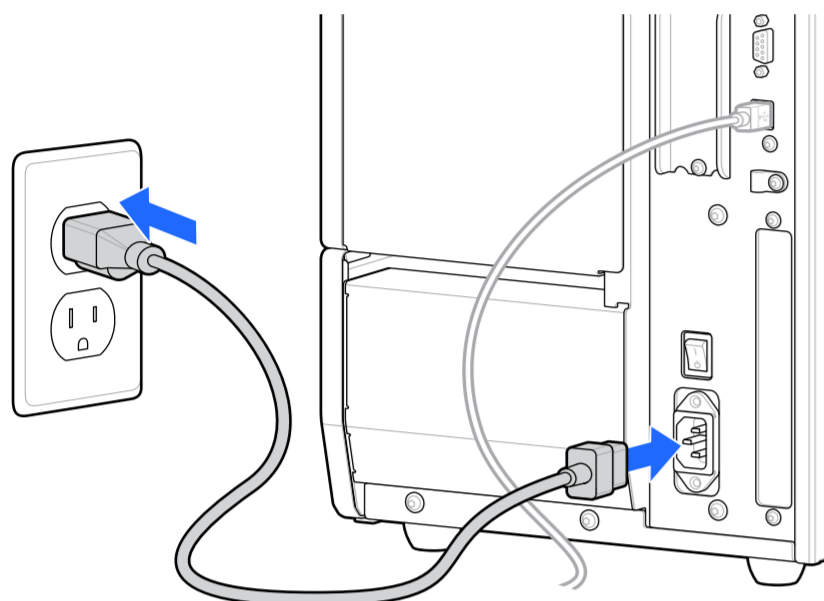
Remove the port blocker label. Connect the USB cable to the printer and your computer.



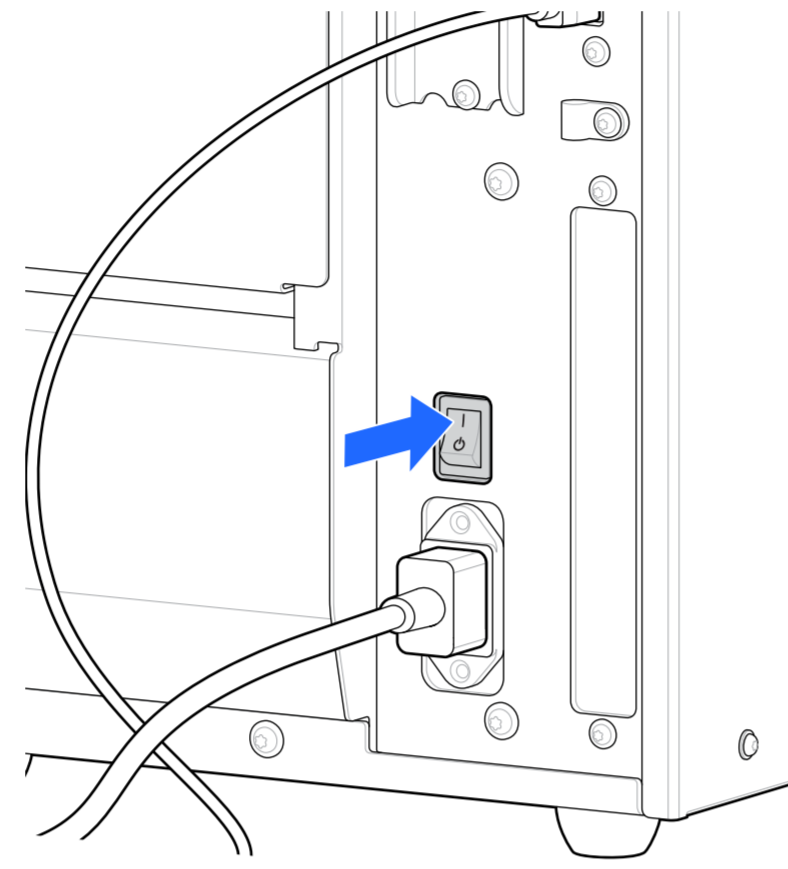
## 4 Plug the Printer into an Electrical Outlet



100-240 VAC  
50-60 Hz



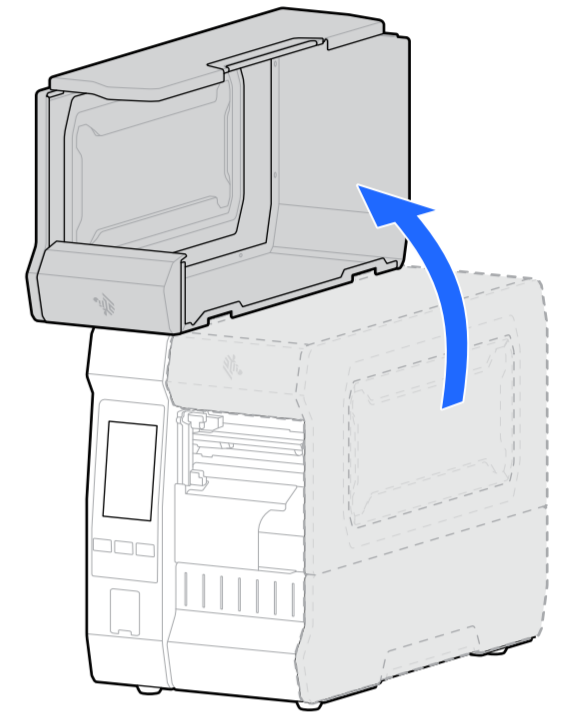
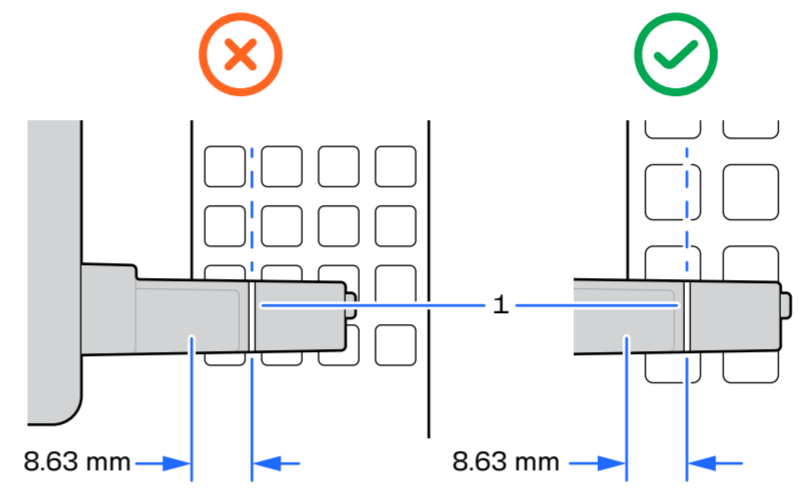
## 5 Turn on the Printer Power



## 6 Load Media

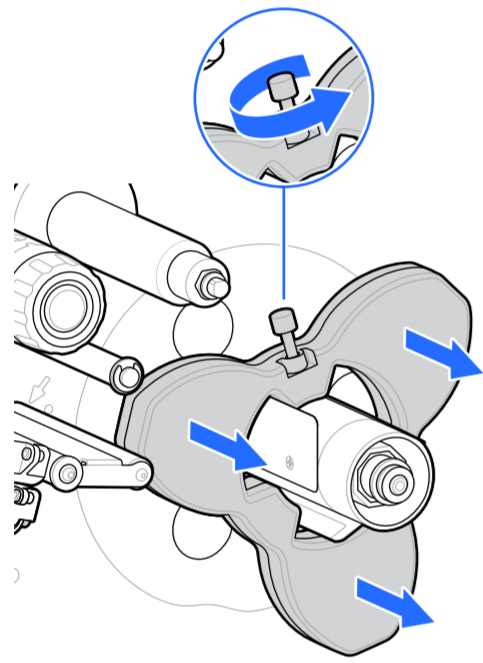


**NOTE:** The printer can detect labels in an array when labels intersect the sensor, indicated by the white line (1) when viewed from the top. If the white line intersects a gap between labels, detection failures will occur. The sensor is located 8.63 mm from the media edge. Ensure that the label array media that you are using does not have a gap at this distance.

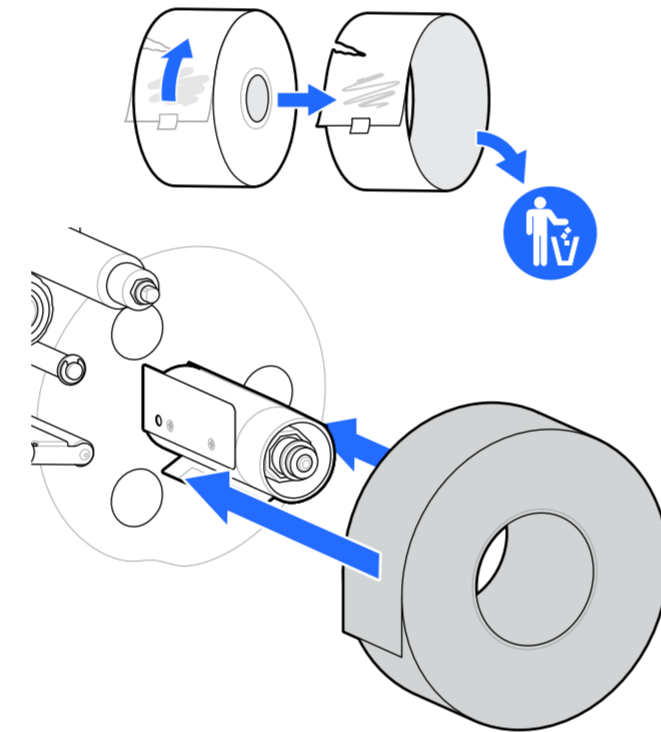


1. Raise the media door.

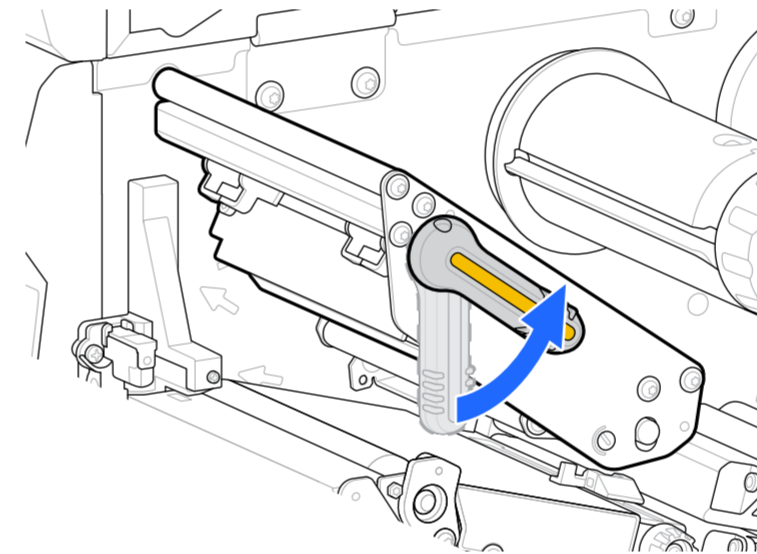
## 6 Load Media (continued)



2. Loosen the screw on the media holders attached to the media spindle and the rewind spindle.  
3. Remove the media holders from the media spindle and the rewind spindle.

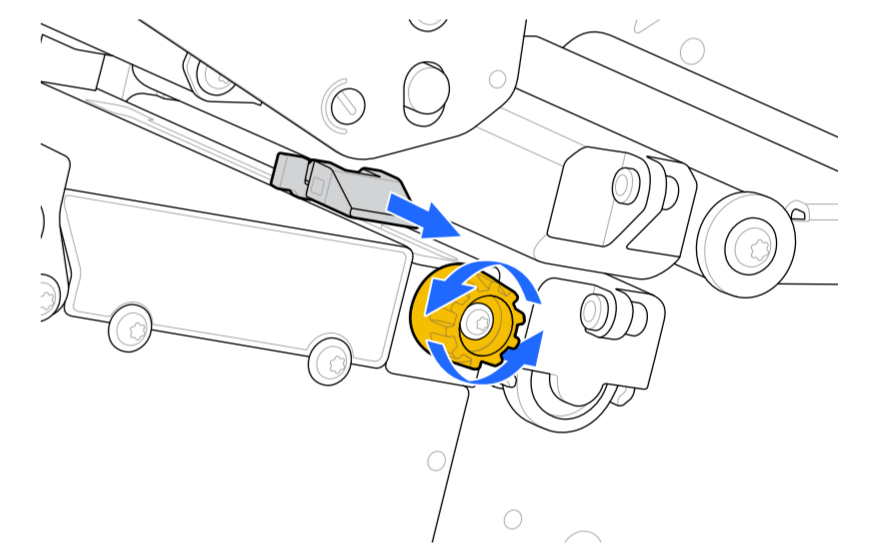


4. Remove and discard any tags or labels that are torn or that are held by adhesives or tape. Place the roll on the media supply spindle and push the roll as far back as it will go.



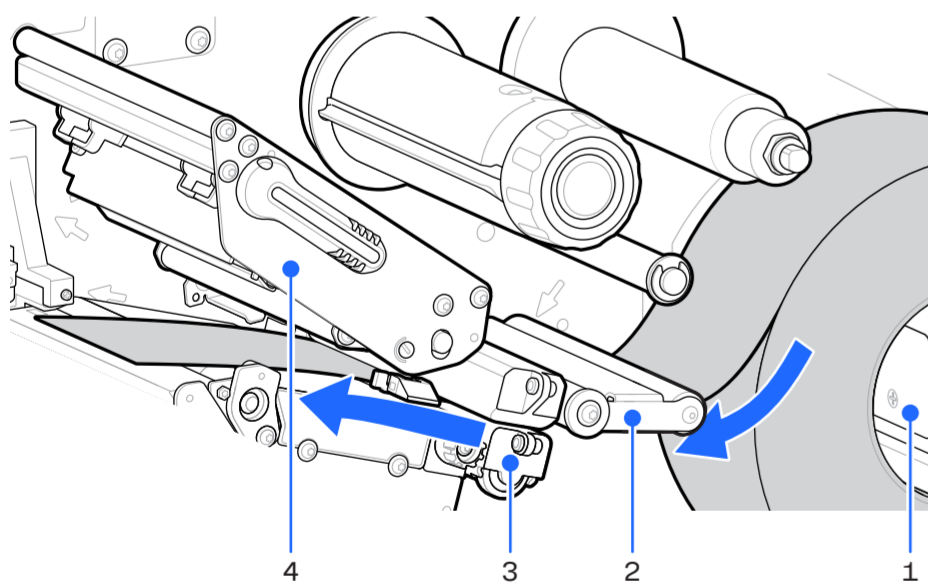
**CAUTION – HOT SURFACE:** The printhead may be hot and could cause severe burns. Allow the printhead to cool.

5. Release the printhead assembly.

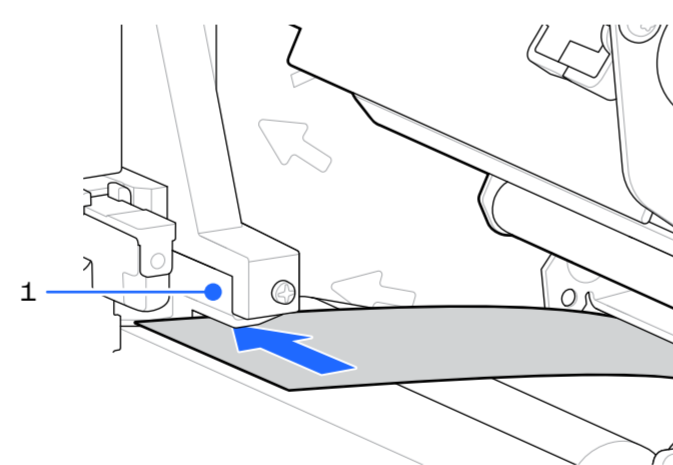


6. Rotate the media guide adjustment knob as shown until the media guide slides all the way out.

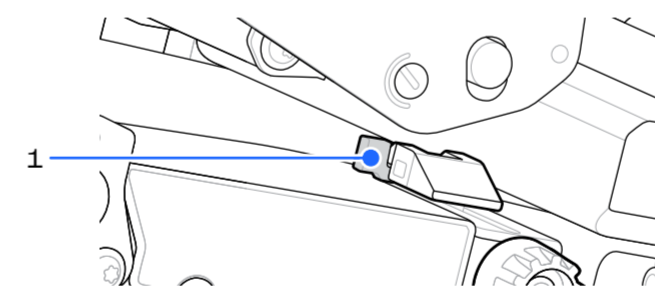
## 6 Load Media (continued)



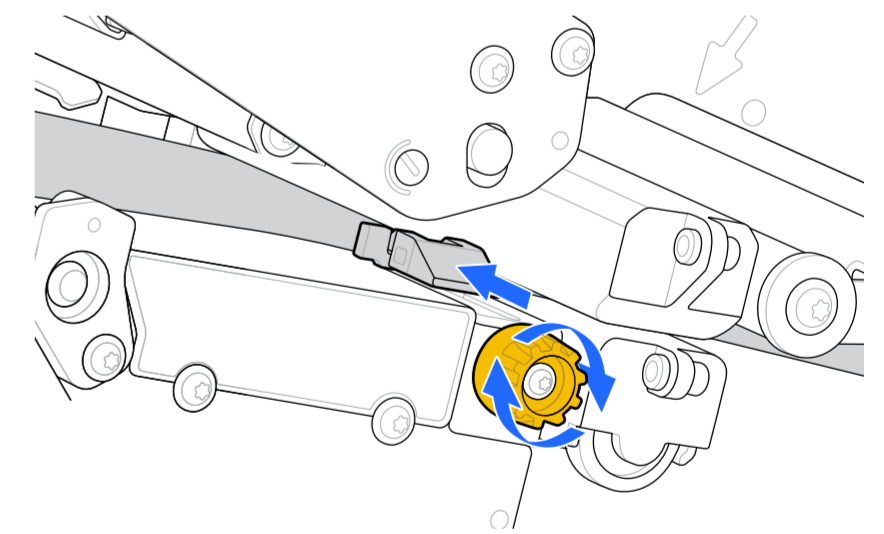
7. Load the media on the upper media path as shown. From the media spindle (1), feed the media under the dancer assembly (2), through the media sensor (3), and under the printhead assembly



8. Slide the media under the front sensor (1).

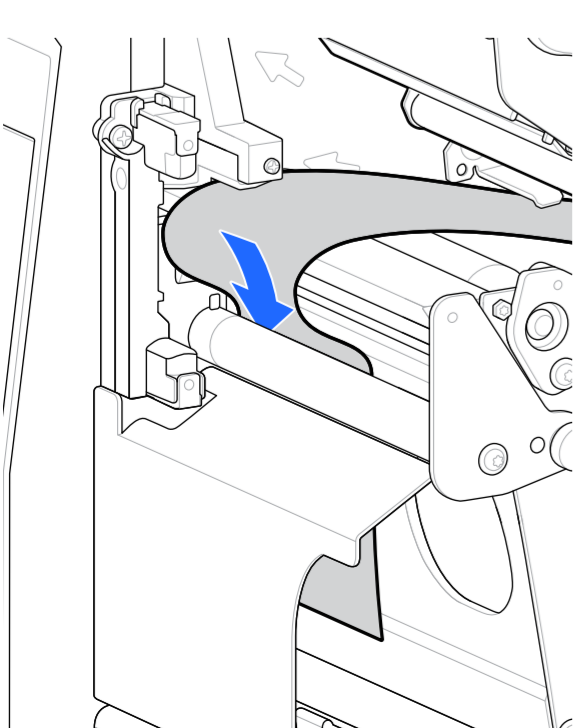


9. For most media, position the extender on the media guide as shown in 1. For very narrow widths, extend it as shown in 2.

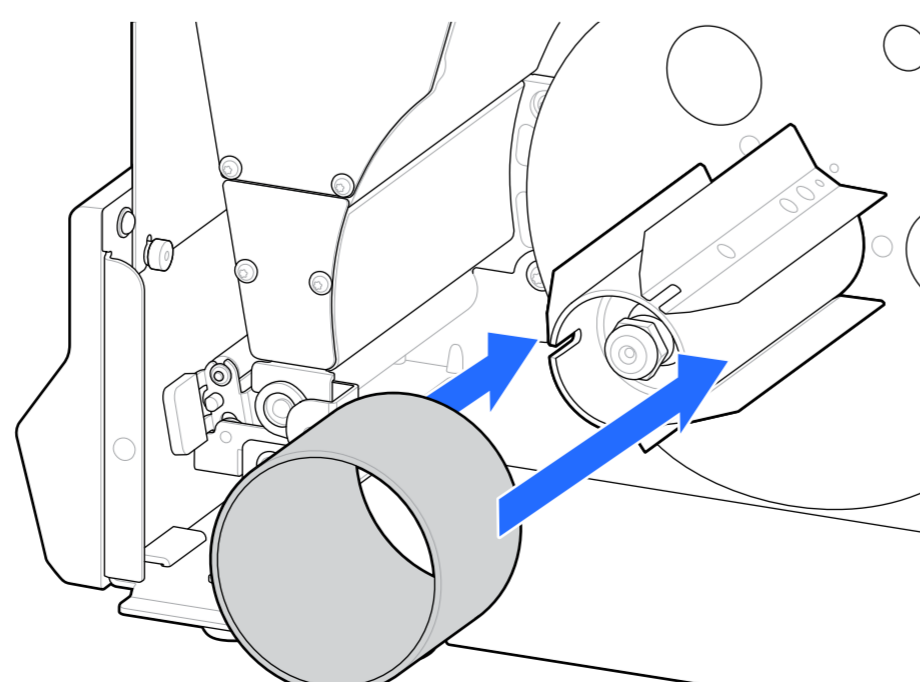


10. Rotate the media guide adjustment knob as shown until the media guide just touches the edge of the media.

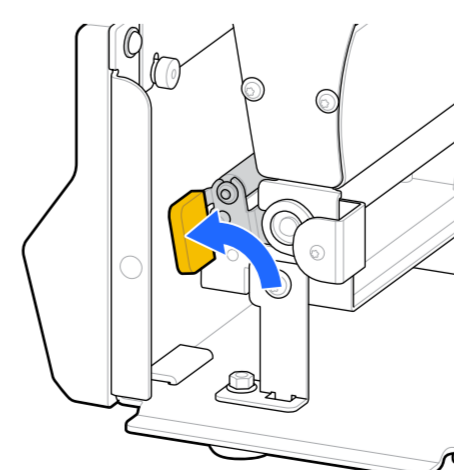
## 6 Load Media (continued)



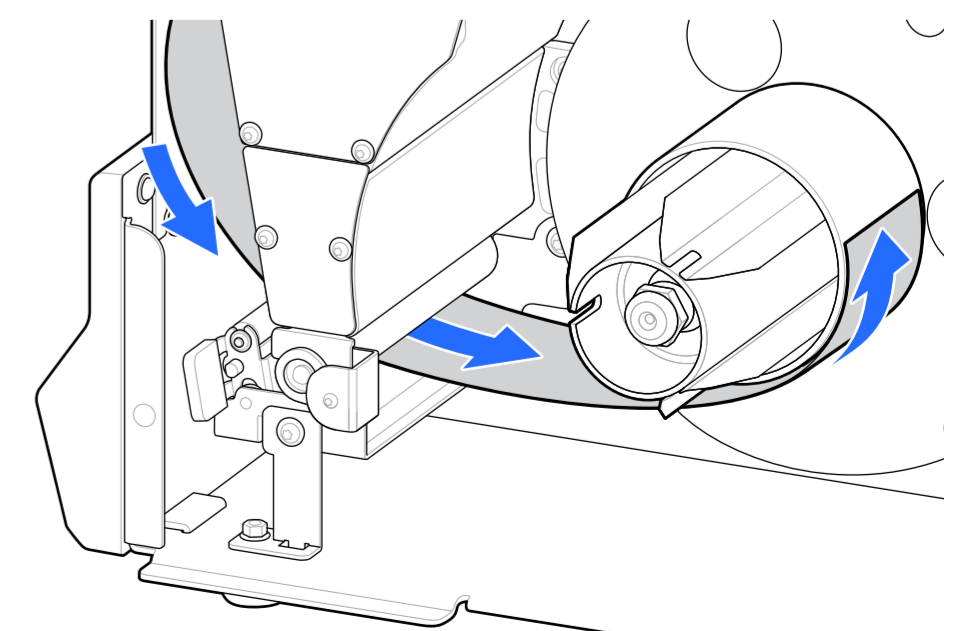
11. Insert the media through the peel roller.



12. Slide a core onto the rewind spindle until it is flush against the guide.



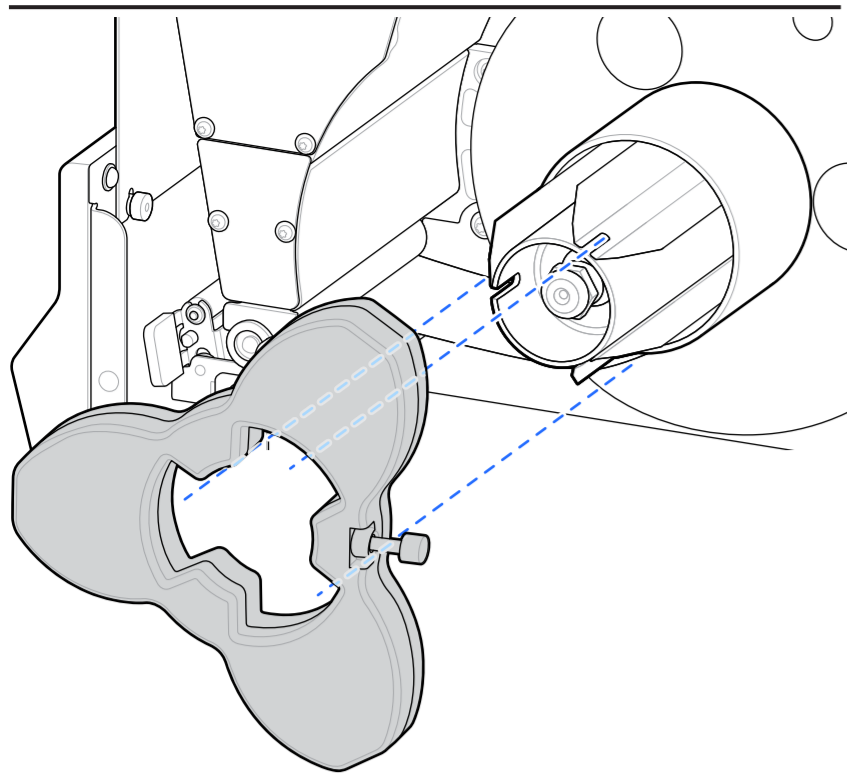
13. Rotate the latch to open the rewind pinch roller.



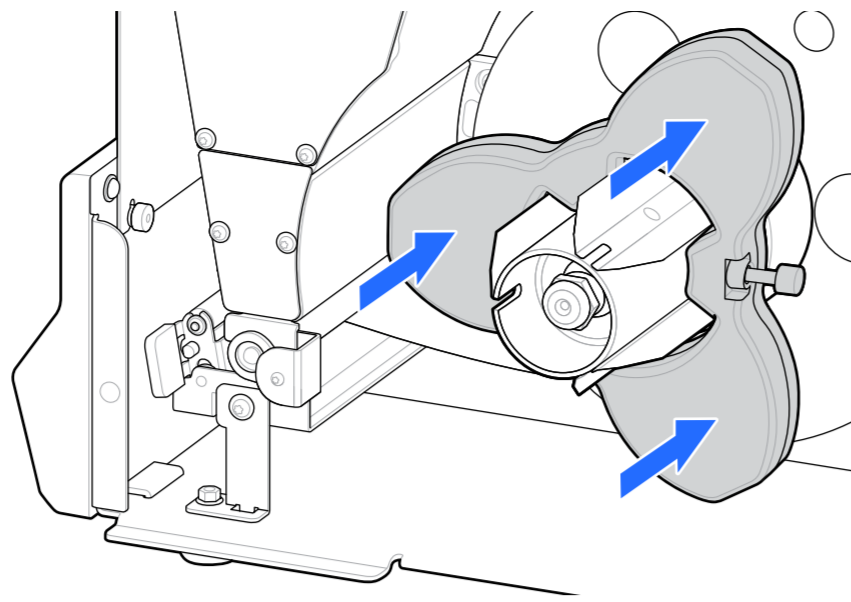
14. Insert the media through the rewind pinch roller, and then wind it around the rewind spindle.

Rotate the rewind spindle several turns to tighten the media and remove any slack.

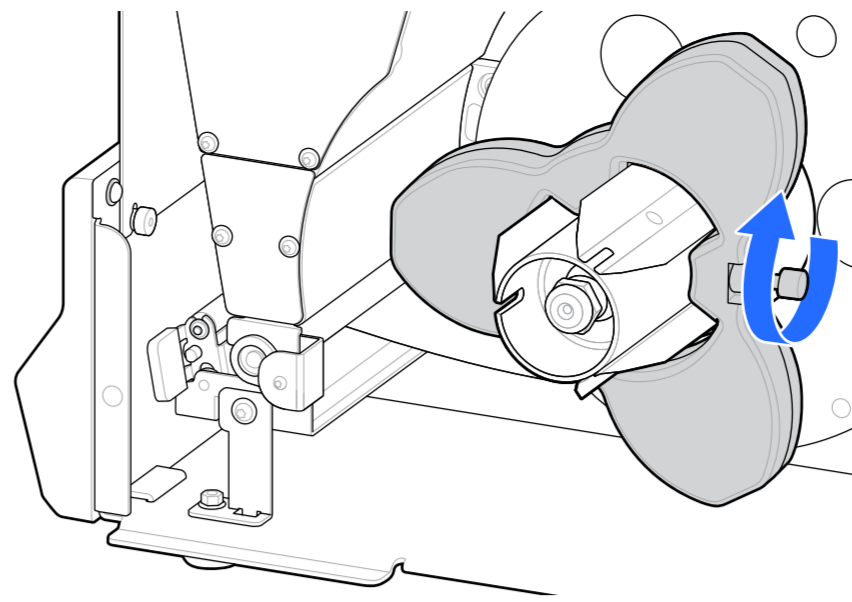
**6 Load Media (continued)**



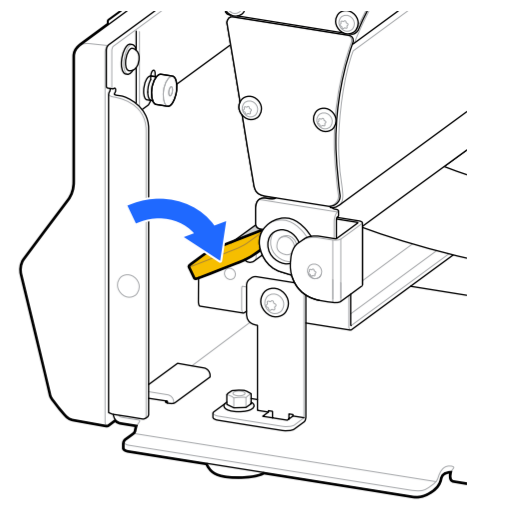
15. Align the groove on the media holder with the ribs on the rewind spindle.



16. Push the media holder inward until it is snug against the media.

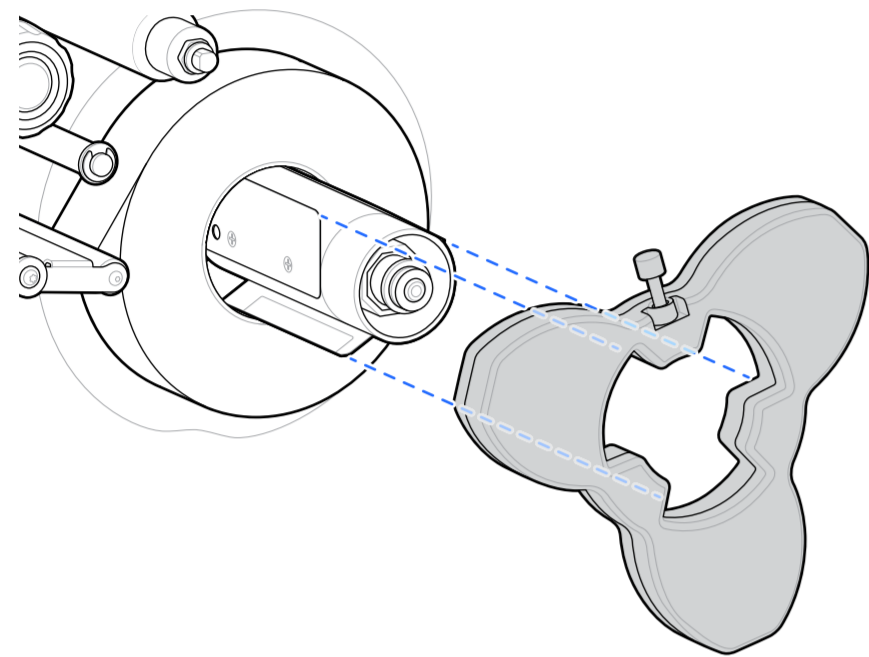


17. Tighten the screw on the media holder.

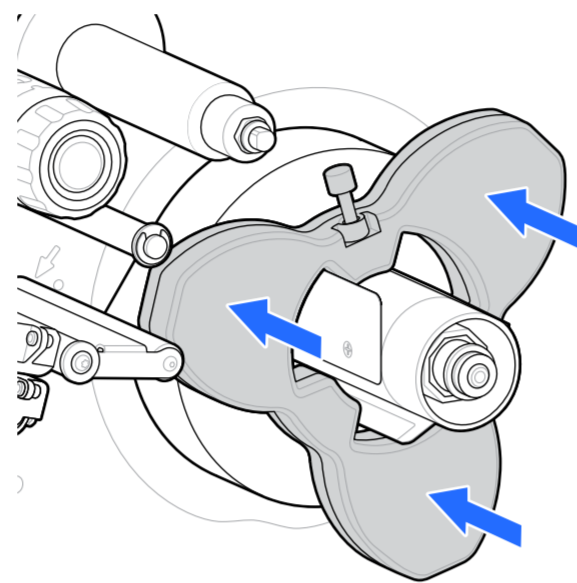


18. Close the rewind pinch roller.

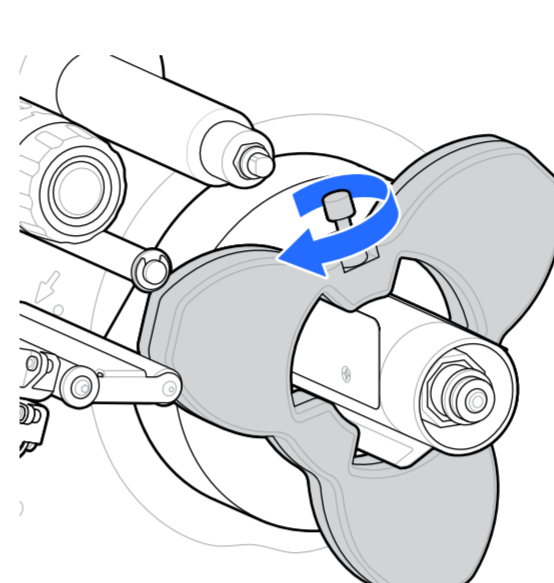
**6 Load Media (continued)**



19. Align the groove on the media holder with the ribs on the media spindle.

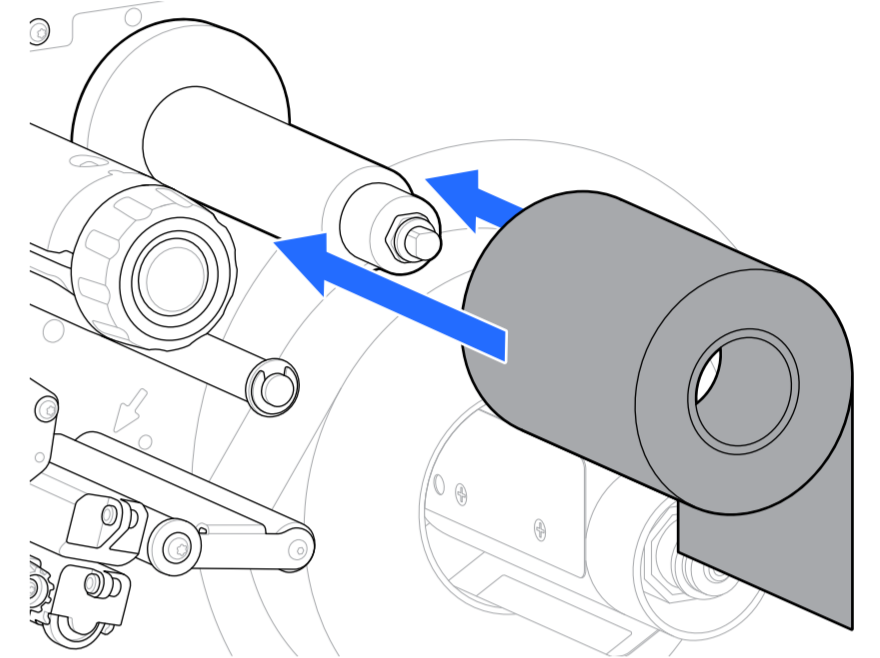


20. Push the media holder inward until it is snug against the media.



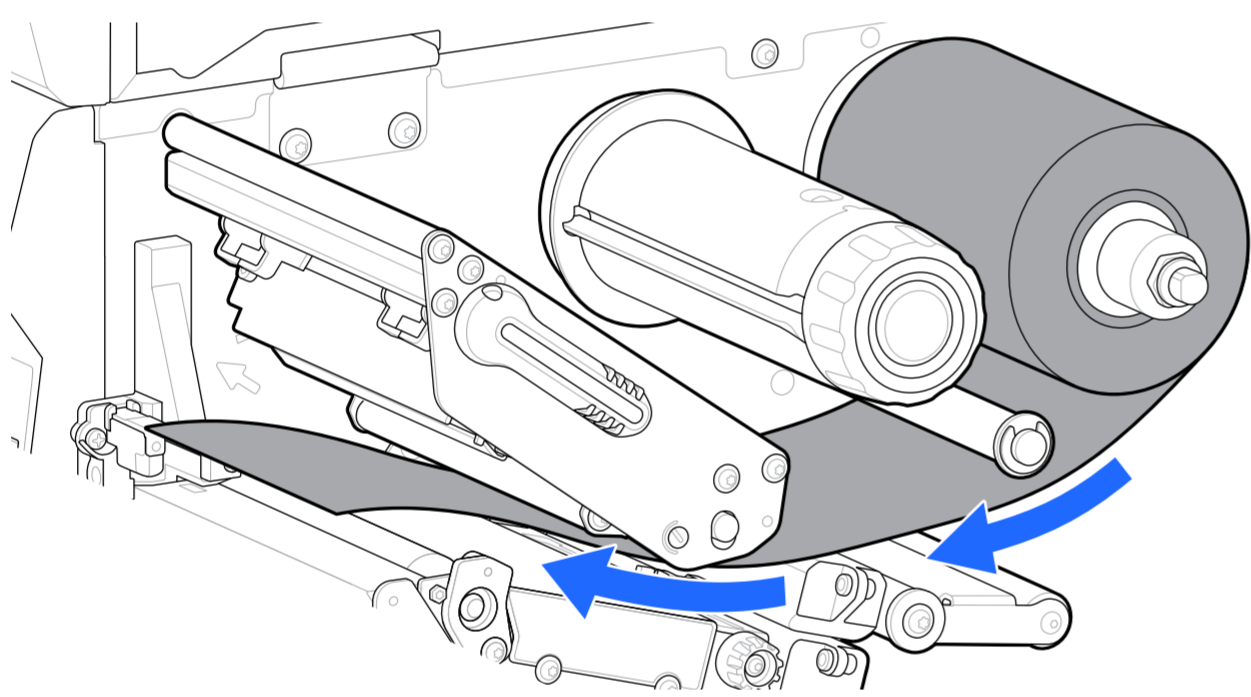
21. Tighten the screw on the media holder.

**7 Load Ribbon**

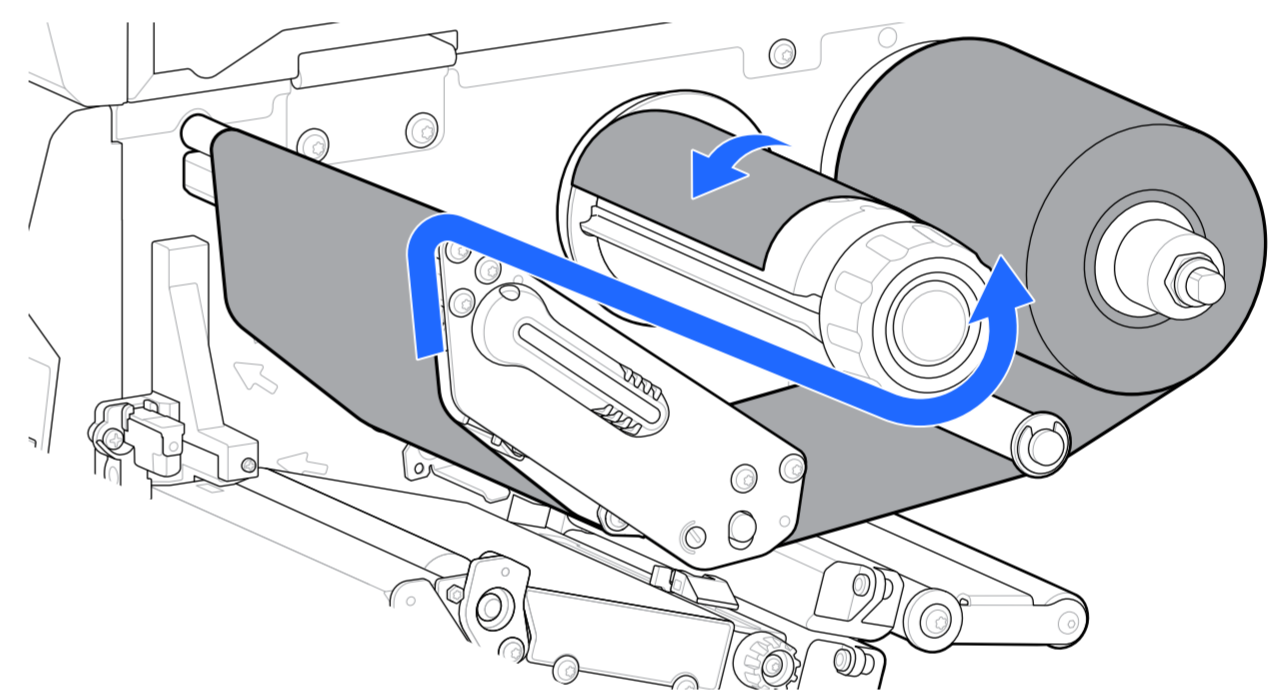


1. Place a ribbon on the ribbon spindle and push the roll as far back as it will go.

**7 Load Ribbon (continued)**

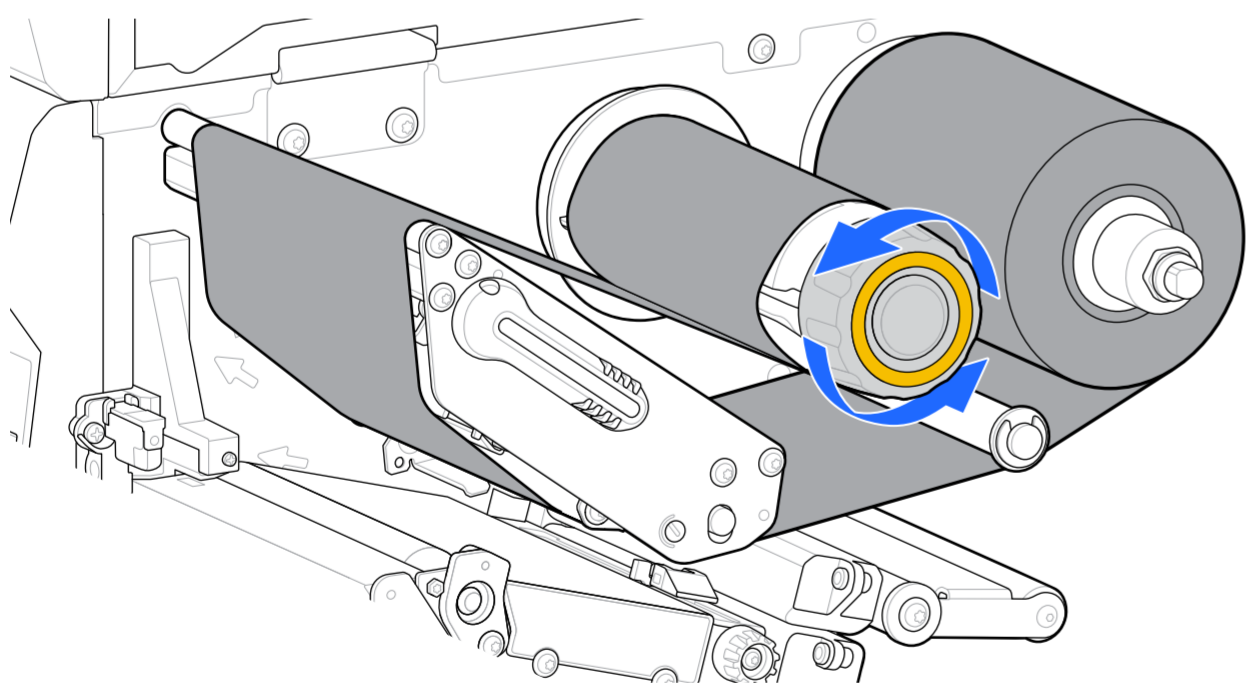


2. Guide the ribbon under the roller and the printhead as shown.

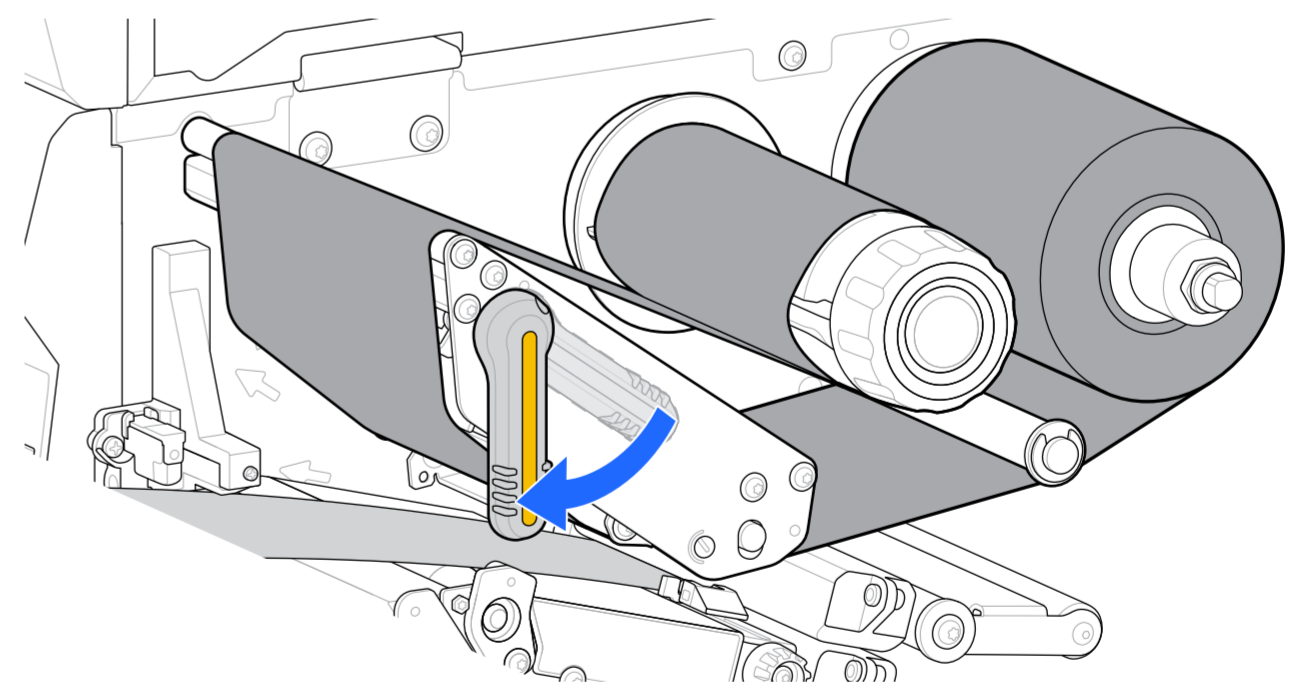


3. Bring the ribbon end up over the printhead assembly and wrap it around the ribbon take-up spindle as shown.

**7 Load Ribbon (continued)**

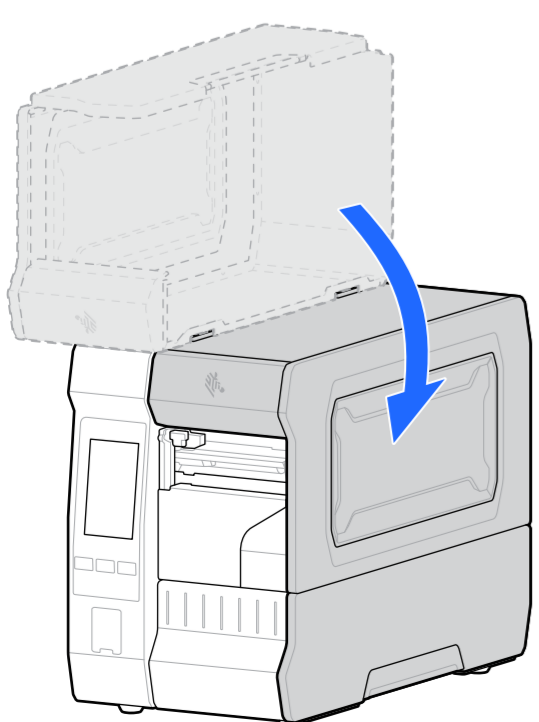


4. Wrap the ribbon end around the take-up spindle. Rotate the spindle to remove any slack.



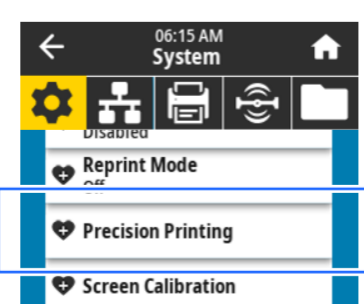
5. Close the printhead.

**7 Load Ribbon (continued)**

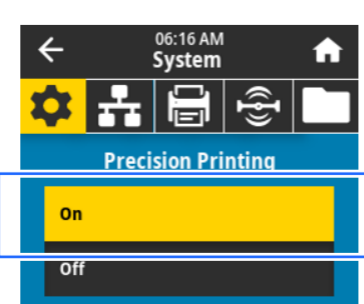


6. Close the media cover.

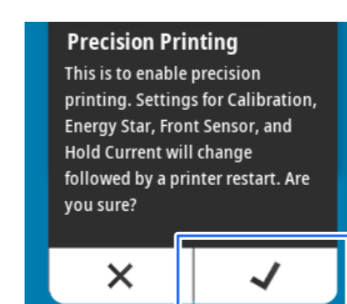
**8 Prepare for Printing**



1. Navigate to the Precision Printing setting by touching **Menu > System > Precision Printing**.



2. Set Precision Printing to **On**.

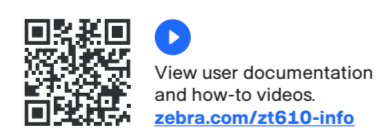


3. To confirm your choice, tap the checkmark. The printer will restart.

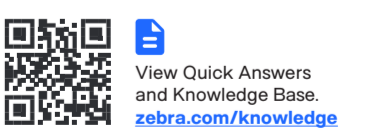


4. Verify that your printer is able to print a configuration label by holding both **FEED** and **CANCEL** for 2 seconds.

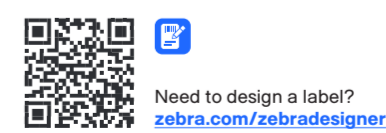
**2 Support and Information**



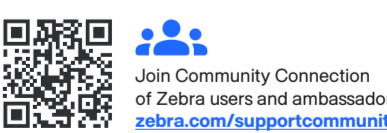
View user documentation and how-to videos.  
[zebra.com/zt610-info](http://zebra.com/zt610-info)



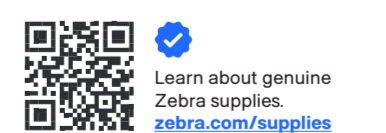
View Quick Answers and Knowledge Base.  
[zebra.com/knowledge](http://zebra.com/knowledge)



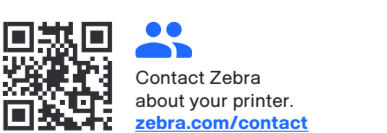
Need to design a label?  
[zebra.com/zebradesigner](http://zebra.com/zebradesigner)



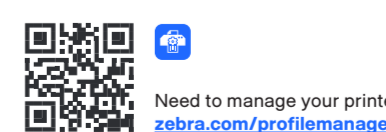
Join Community Connection of Zebra users and ambassadors.  
[zebra.com/supportcommunity](http://zebra.com/supportcommunity)



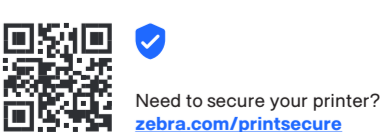
Learn about genuine Zebra supplies.  
[zebra.com/supplies](http://zebra.com/supplies)



Contact Zebra about your printer.  
[zebra.com/contact](http://zebra.com/contact)



Need to manage your printer?  
[zebra.com/profilmanager](http://zebra.com/profilmanager)



Need to secure your printer?  
[zebra.com/printsecure](http://zebra.com/printsecure)

