



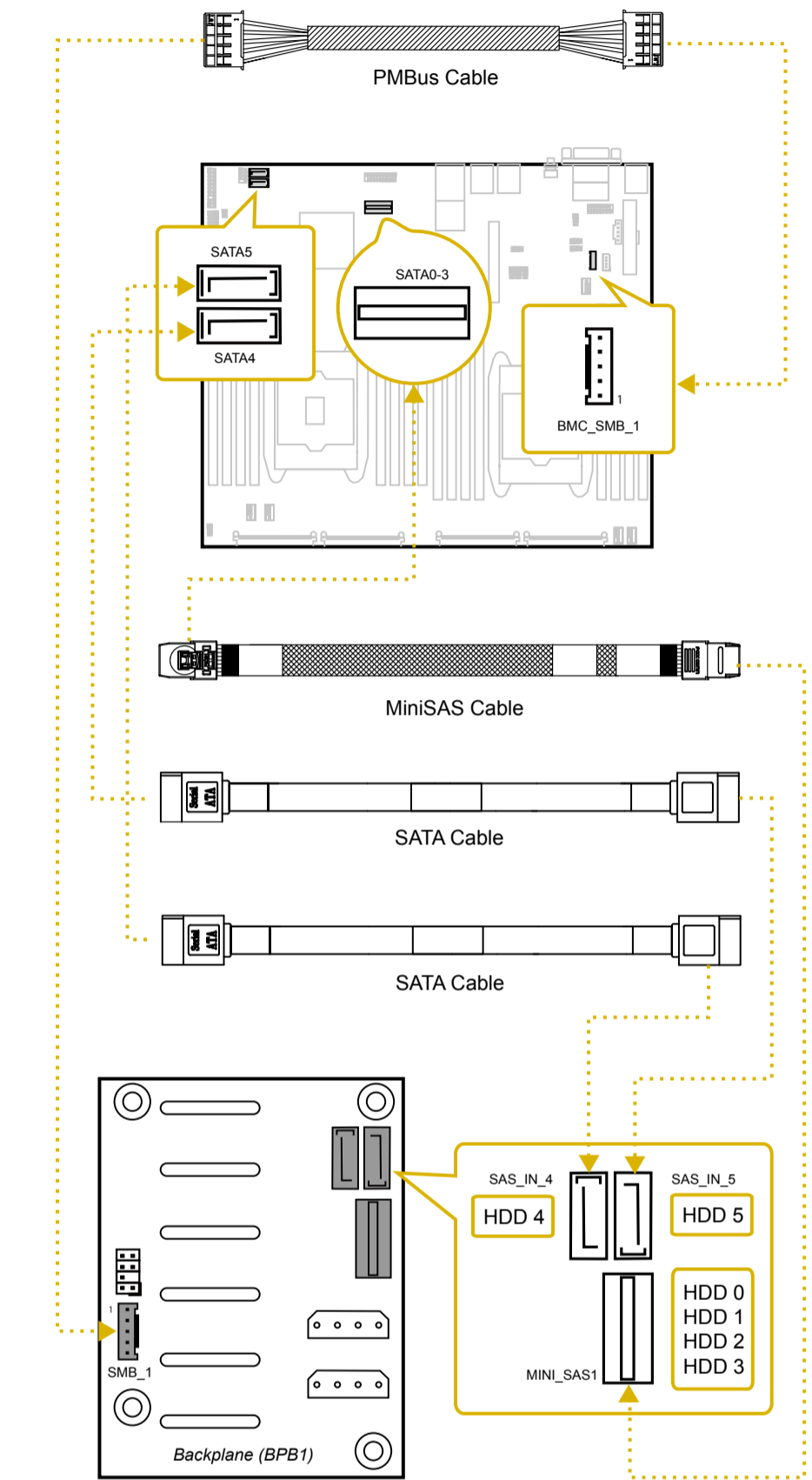
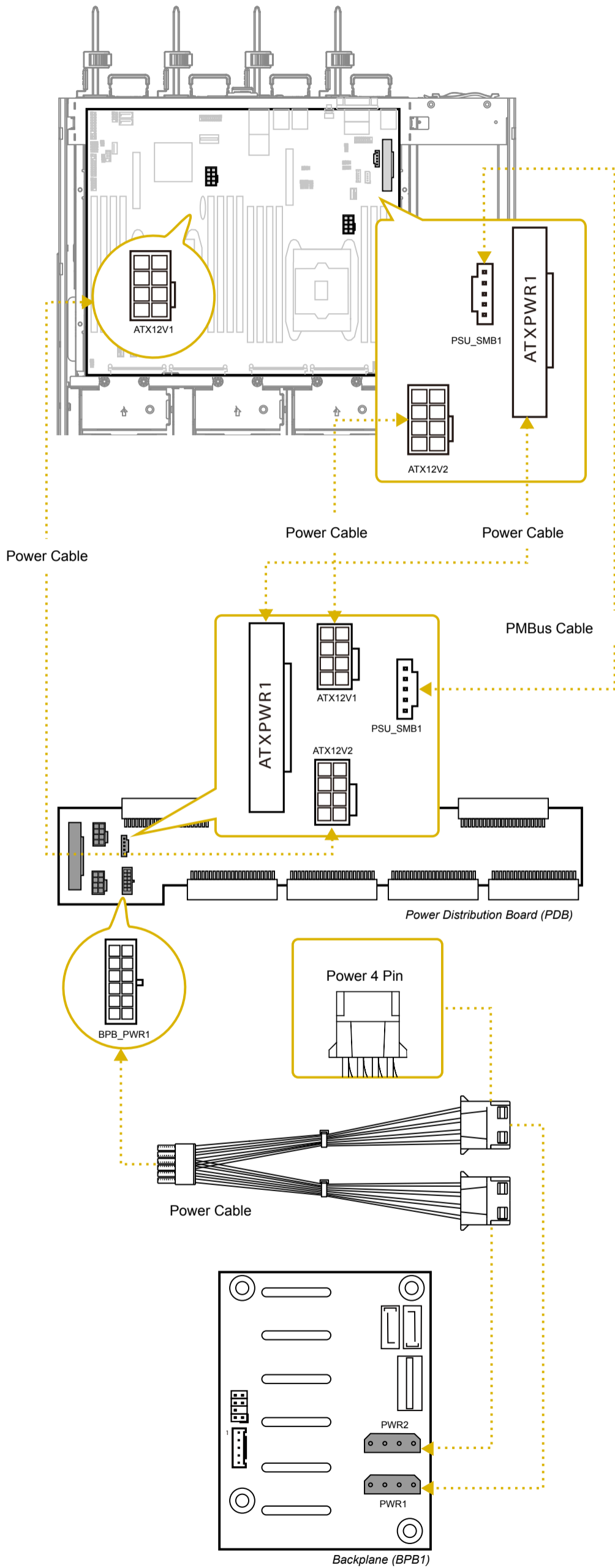
P/N: 15G065094000AK V1.0

Quick Installation Guide 3U8G+ Series

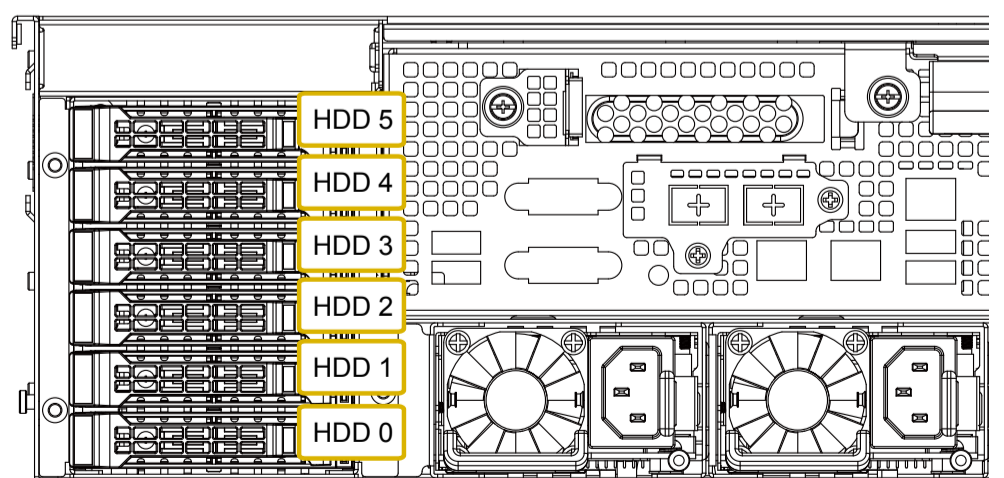


Power Cables Connection

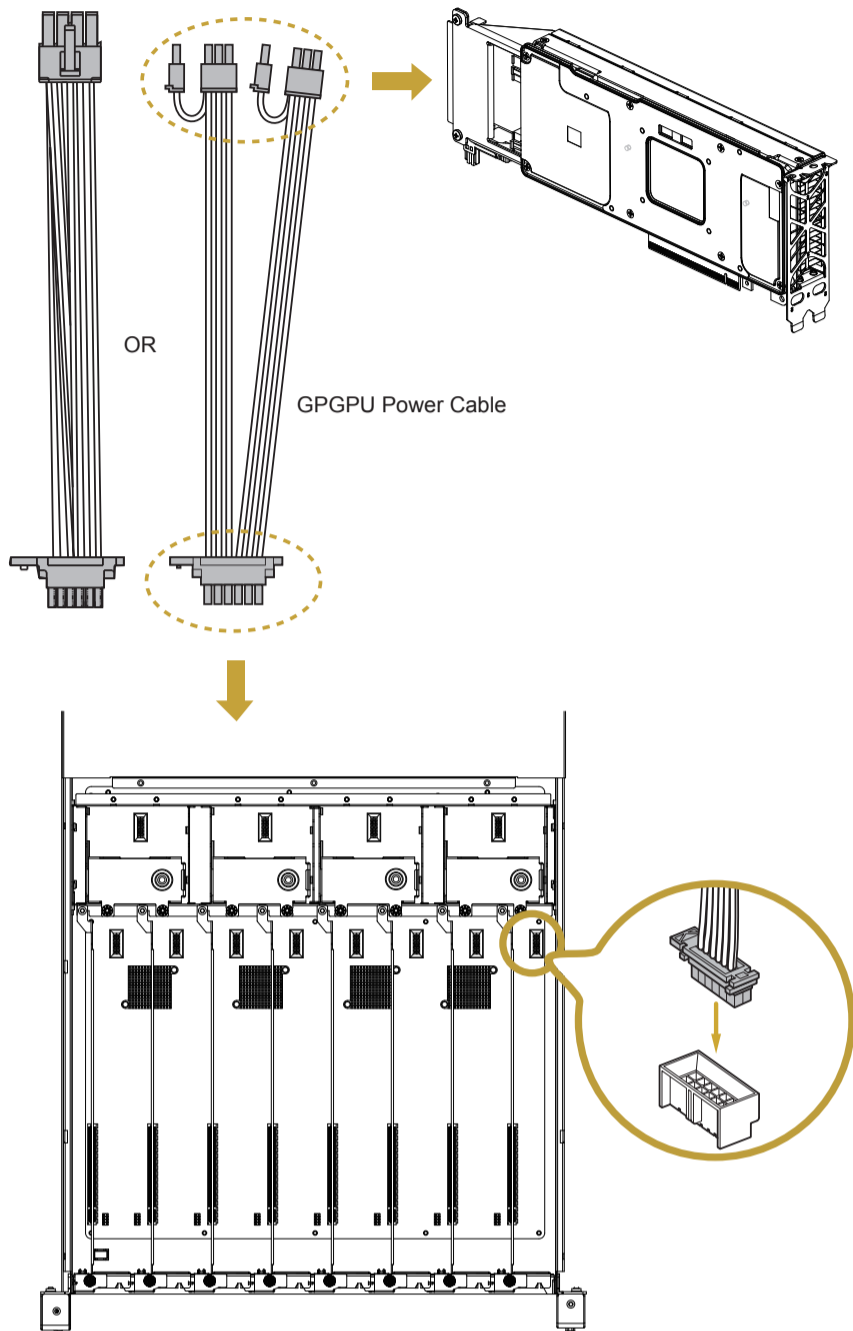
MiniSAS/SATA to MiniSAS/SATA Cables Connection



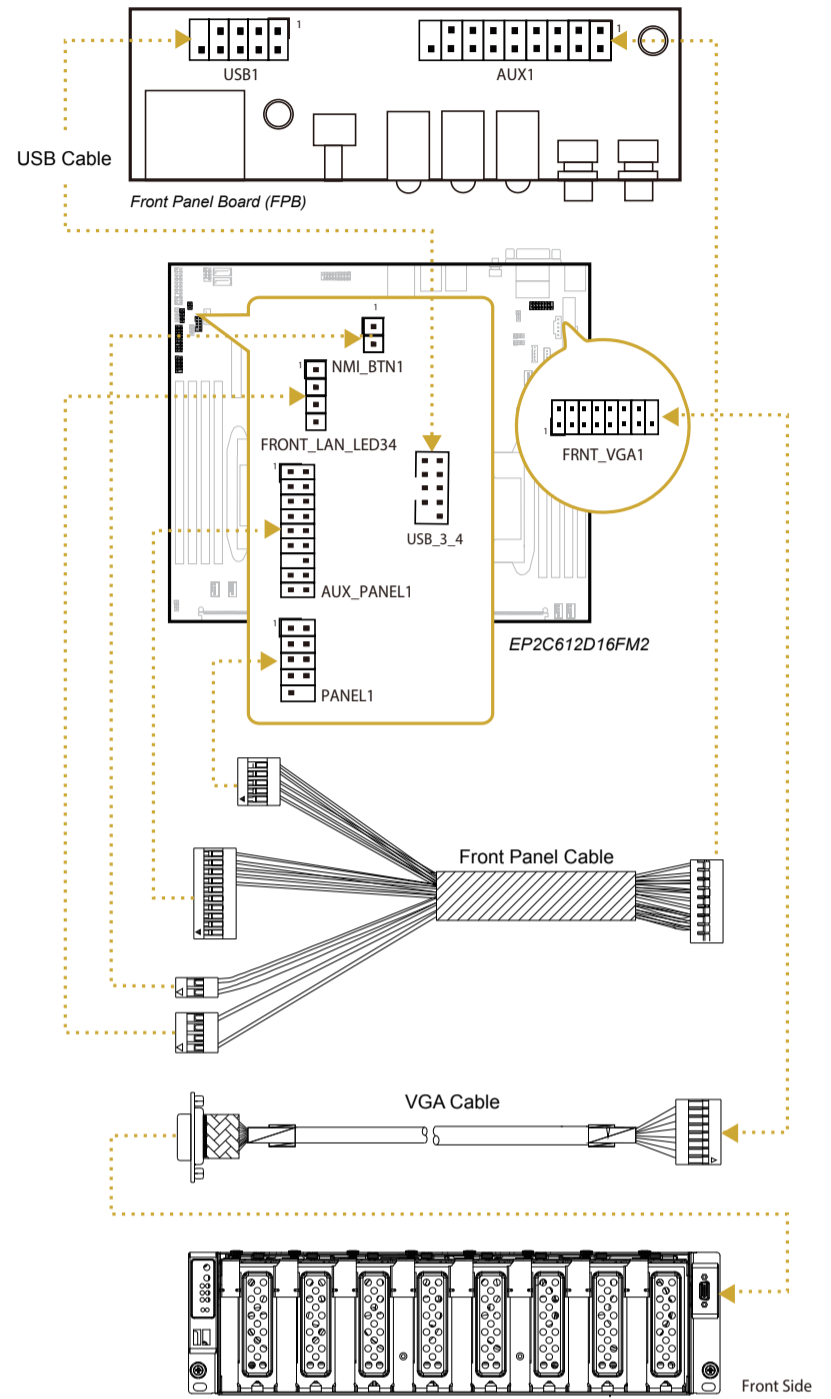
System Rear View (HDD Slots)



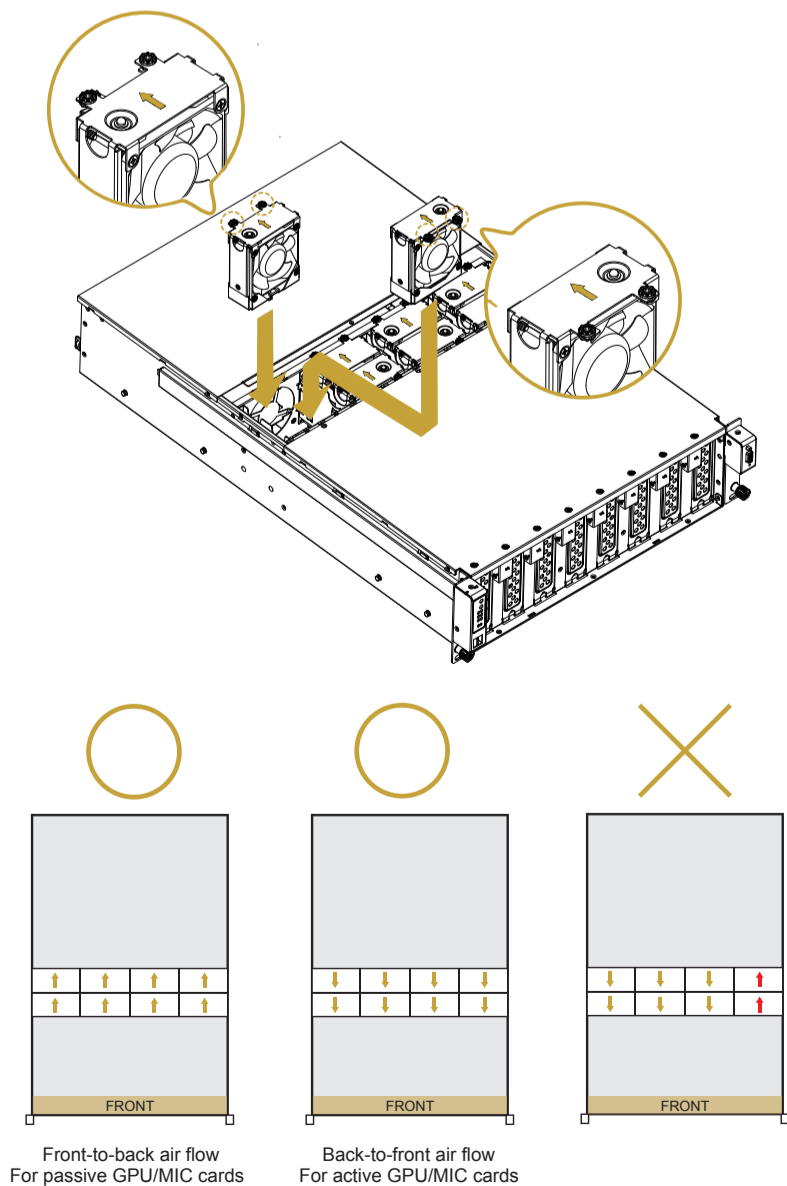
GPGPU Power Cables Connection



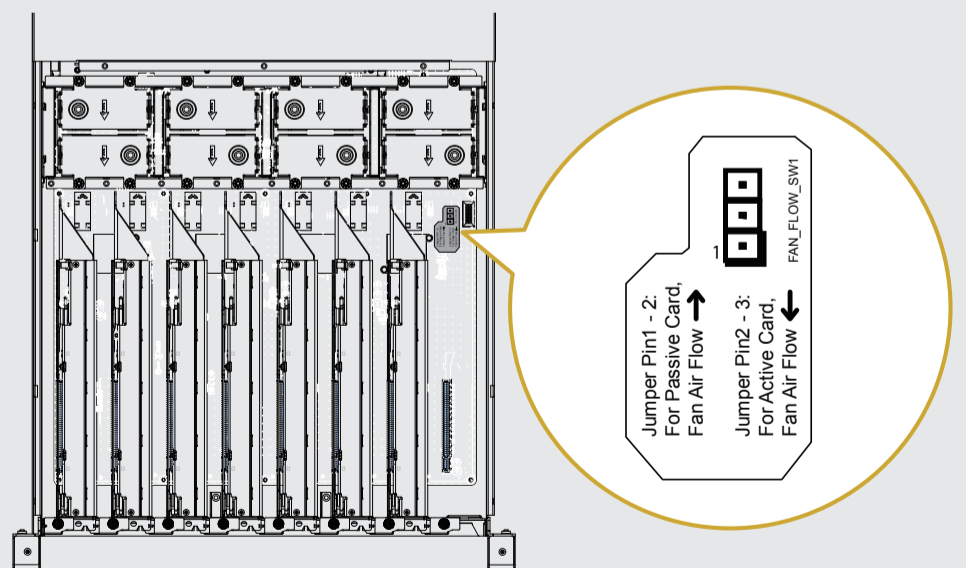
Front Panel Cables / VGA Cable Connection



System Fan Installation



For active card users, please reverse the fan modules and move the jumper caps placed on the FAN Flow Switch Jumper (FAN_FLOW_SW1) from pins 1-2 (default) to pins 2-3 on the switchboard (SWB)



Please refer to the User's Manual for more instructions on how to reverse fan modules and set up back-to-front air flow routing.