

## DS70-810BL1

## NEOMOUNTS BY NEWSTAR MONITOR DESK

### SPECIFICATIONS

#### GENERAL

|                   |                   |
|-------------------|-------------------|
| Min. screen size* | 17 inch           |
| Max. screen size* | 32 inch           |
| Min. weight       | 1 kg (per screen) |
| Max. weight       | 9 kg (per screen) |
| Screens           | 1                 |
| VESA minimum      | 75x75 mm          |
| VESA maximum      | 100x100 mm        |
| Desk mount        | Grommet<br>Clamp  |

#### FUNCTIONALITY

|                   |              |
|-------------------|--------------|
| Type              | Full motion  |
| Height adjustment | 26,5-55 cm   |
| Depth adjustment  | 0-49 cm      |
| Tilt (degrees)    | +45°, -45°   |
| Swivel (degrees)  | +90°, -90°   |
| Rotate (degrees)  | +180°, -180° |
| Height            | 61,5 cm      |
| Width             | 11,7 cm      |
| Depth             | 55,5 cm      |
| Adjustment type   | Gas spring   |

#### INFORMATION

|               |               |
|---------------|---------------|
| Color         | Black         |
| Main material | Steel         |
| Warranty      | 5 year        |
| EAN code      | 8717371449216 |

\*Please note: The inch sizes stated are just an indication, combined with the weight and VESA sizes. The maximum weight and VESA size are absolute restrictions for the products and should not be exceeded.



Neomounts



Neomounts

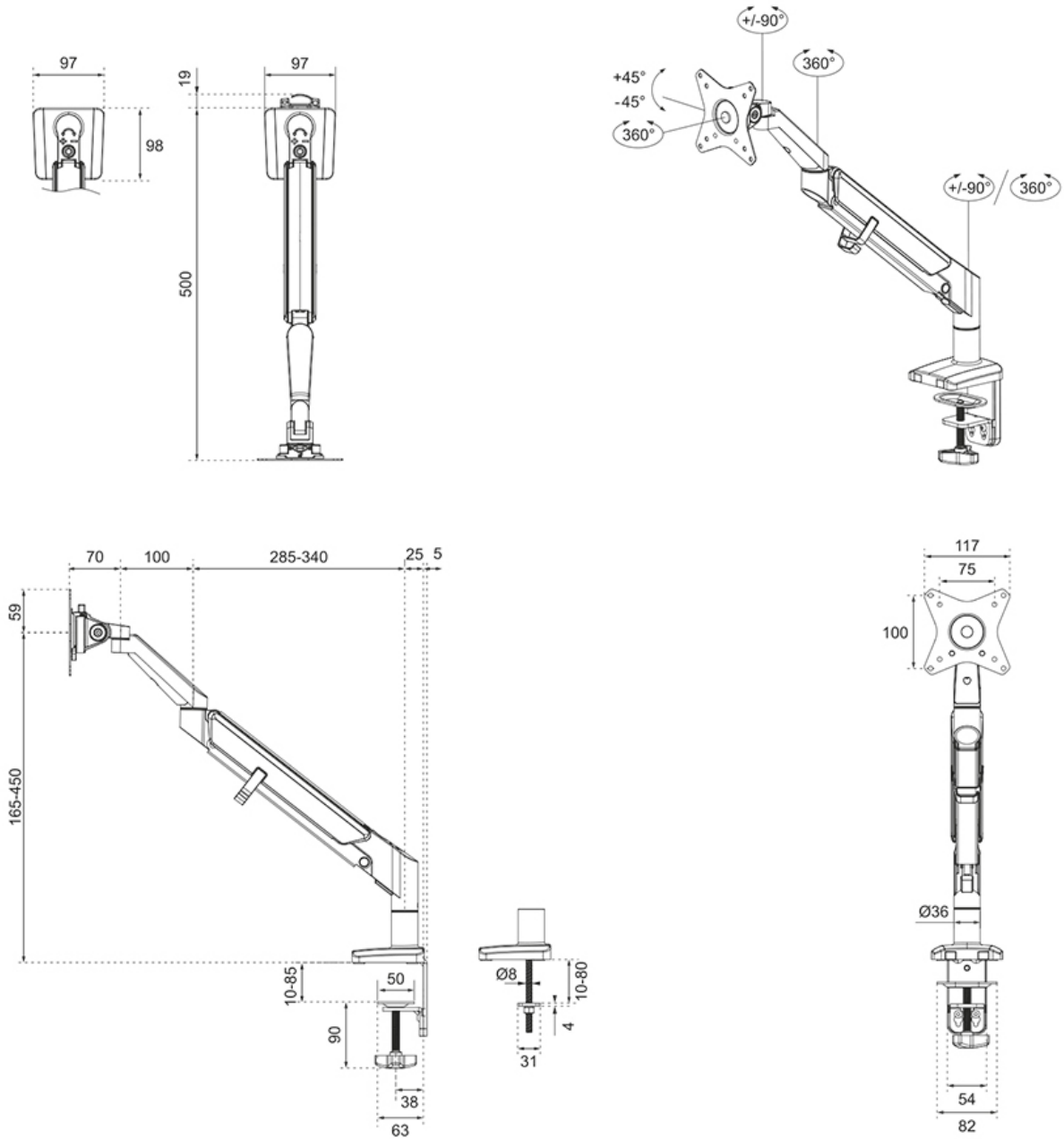
### Neomounts by Newstar DS70-810BL1 full motion monitor desk mount for 17-32" screens - Black

The Neomounts by Newstar DS70-810BL1 is a full motion desk mount for one flat screen up to 32" with a maximum weight capacity of 9 kg. The versatile tilt (90°), rotate (360°) and swivel (180°) technology allows the mount to change to any viewing angle to fully benefit from the capabilities of your screen. Additionally, the mount features gas spring height adjustment (26,5-55 cm) and depth adjustment (0-49 cm), to create the perfect working position. Additionally, the DS70-810BL1 features the nifty 180° stop mechanism, that allows you to safely adjust the mount even when it's placed close to a wall or separation panel without making contact with the wall. The smart cable management clips ensure orderly routing of the cables.

The DS70-810BL1 is suitable for screens that meet VESA hole pattern 75x75 or 100x100mm. Unused hole patterns can be covered using one of Neomounts by Newstar's VESA adapter plates. The DS70-810BL1 is equipped with an Quick-release VESA system for easy installation and comes with both desk clamp and grommet.

## DS70-810BL1

## NEOMOUNTS BY NEWSTAR MONITOR DESK



Neomounts