

Notebook Tour

User Guide

© Copyright 2008 Hewlett-Packard
Development Company, L.P.

Bluetooth is a trademark owned by its
proprietor and used by Hewlett-Packard
Company under license. Java is a U.S.
trademark of Sun Microsystems, Inc.
Microsoft and Windows are U.S. registered
trademarks of Microsoft Corporation. SD
Logo is a trademark of its proprietor.

The information contained herein is subject
to change without notice. The only
warranties for HP products and services are
set forth in the express warranty statements
accompanying such products and services.
Nothing herein should be construed as
constituting an additional warranty. HP shall
not be liable for technical or editorial errors
or omissions contained herein.

First Edition: September 2008

Document Part Number: 486598-001

Product notice

This user guide describes features that are
common to most models. Some features
may not be available on your computer.

Safety warning notice

-
- ⚠ **WARNING!** To reduce the possibility of heat-related injuries or of overheating the computer, do not place the computer directly on your lap or obstruct the computer air vents. Use the computer only on a hard, flat surface. Do not allow another hard surface, such as an adjoining optional printer, or a soft surface, such as pillows or rugs or clothing, to block airflow. Also, do not allow the AC adapter to contact the skin or a soft surface, such as pillows or rugs or clothing, during operation. The computer and the AC adapter comply with the user-accessible surface temperature limits defined by the International Standard for Safety of Information Technology Equipment (IEC 60950).
-

Table of contents

1 Identifying hardware

2 Components

Top components	3
Pointing devices	3
Lights	4
Buttons, switches, and fingerprint reader	6
Keys	8
Display	9
Front components	10
Rear components	11
Right-side components	12
Left-side components	14
Bottom components	16
Wireless antennae (select models only)	18
Additional hardware components	19

3 Labels


Index	22
-------------	----

1 Identifying hardware

To see a list of hardware installed in the computer, follow these steps:

1. Select **Start > Computer > System properties**.
2. In the left pane, click **Device Manager**.

You can also add hardware or modify device configurations using Device Manager.

 **NOTE:** Windows® includes the User Account Control feature to improve the security of your computer. You may be prompted for your permission or password for tasks such as installing software, running utilities, or changing Windows settings. Refer to Help and Support for more information.

2 Components

Top components

Pointing devices



Component	Description
(1) Left TouchPad button*	Functions like the left button on an external mouse.
(2) TouchPad*	Moves the pointer and selects or activates items on the screen.
(3) Left pointing stick button*	Functions like the left button on an external mouse.
(4) Pointing stick*	Moves the pointer and selects or activates items on the screen.
(5) TouchPad on/off button	Turns the TouchPad on and off.
(6) Right pointing stick button*	Functions like the right button on an external mouse.
(7) TouchPad scroll zone	Scrolls up or down.
(8) Right TouchPad button*	Functions like the right button on an external mouse.

*This table describes factory settings. To view or change pointing device preferences, select **Start > Control Panel > Hardware and Sound > Mouse**.

Lights



Component	Description
(1) Power lights (2)*	<ul style="list-style-type: none"> On: The computer is on. Blinking: The computer is in the Sleep state. Off: The computer is off or in Hibernation.
(2) Wireless lights (2)†	<ul style="list-style-type: none"> Blue: An integrated wireless device, such as a wireless local area network (WLAN) device, the HP Mobile Broadband Module, and/or a Bluetooth® device, is on. Amber: All wireless devices are off.
(3) TouchPad on/off light	<ul style="list-style-type: none"> Turquoise: TouchPad is on. Amber: TouchPad is off.
(4) Caps lock light	On: Caps lock is on.
(5) Num lock light	On: Num lock is on or the embedded numeric keypad is enabled.
(6) Volume mute light	<ul style="list-style-type: none"> Turquoise: Speaker sound is on. Amber: Speaker sound is off.
(7) Battery light	<ul style="list-style-type: none"> Amber: A battery is charging. Turquoise: A battery is close to full charge capacity. Blinking amber: A battery that is the only available power source has reached a low battery level. When the battery

Component	Description
(8) Drive light	<p data-bbox="887 228 1465 281">reaches a critical battery level, the battery light begins blinking rapidly.</p> <ul data-bbox="839 306 1465 436" style="list-style-type: none"> <li data-bbox="839 306 1465 436">• Off: If the computer is plugged into an external power source, the light turns off when all batteries in the computer are fully charged. If the computer is not plugged into an external power source, the light stays off until the battery reaches a low battery level. <ul data-bbox="839 462 1465 585" style="list-style-type: none"> <li data-bbox="839 462 1465 514">• Blinking turquoise: The hard drive or optical drive is being accessed. <li data-bbox="839 539 1465 585">• Amber: HP 3D DriveGuard has temporarily parked the internal hard drive.

*The 2 power lights display the same information. The light on the power button is visible only when the computer is open. The power light on the front of the computer is visible whether the computer is open or closed.

†The 2 wireless lights display the same information. The light on the wireless button is visible only when the computer is open. The wireless light on the front of the computer is visible whether the computer is open or closed.

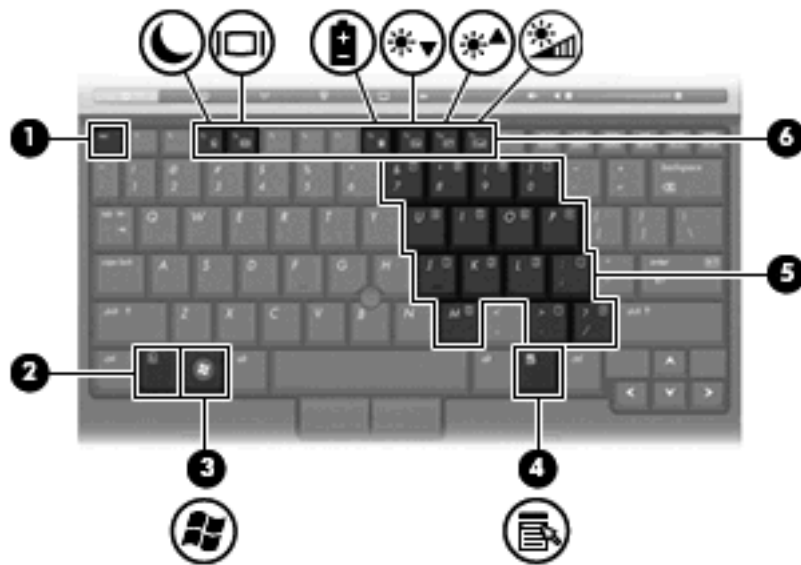
Buttons, switches, and fingerprint reader



Component	Description
(1) Power button	<ul style="list-style-type: none"> When the computer is off, press the button to turn on the computer. When the computer is on, press the button to shut down the computer. When the computer is in the Sleep state, press the button briefly to exit Sleep. When the computer is in Hibernation, press the button briefly to exit Hibernation. <p>If the computer has stopped responding and Windows® shutdown procedures are ineffective, press and hold the power button for at least 5 seconds to turn off the computer.</p> <p>To learn more about your power settings, select Start > Control Panel > System and Maintenance > Power Options.</p>
(2) Info button	Launches Info Center, which enables you to open various software solutions.
(3) Internal display switch	Turns off the display if the display is closed while the power is on.
(4) Wireless button	Turns the wireless feature on or off but does not establish a wireless connection.
(5) Presentation button	Starts the presentation feature.

Component	Description
(6) TouchPad on/off button	Turns the TouchPad on or off.
(7) Volume mute button	Mutes and restores speaker sound.
(8) Volume scroll zone	Adjusts speaker volume. Slide your finger to the left to decrease volume and to the right to increase volume. You can also press and hold the minus (-) sign to decrease volume, or press and hold the plus (+) sign to increase volume.
(9) Fingerprint reader	Allows a fingerprint logon to Windows, instead of a password logon.

Keys



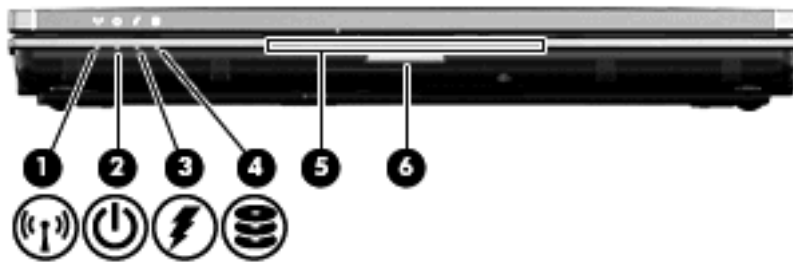
Component	Description
(1) esc key	Displays system information when pressed in combination with the fn key.
(2) fn key	Executes frequently used system functions when pressed in combination with a function key or the esc key.
(3) Windows logo key	Displays the Windows Start menu.
(4) Windows applications key	Displays a shortcut menu for items beneath the pointer.
(5) Embedded numeric keypad keys	Can be used like the keys on an external numeric keypad.
(6) Function keys	Execute frequently used system functions when pressed in combination with the fn key.

Display



Component	Description
(1) Ambient light sensor	Automatically adjusts the display brightness based on the lighting conditions in your environment.
(2) Webcam light (select models only)	On: The integrated camera is in use.
(3) Webcam (select models only)	Records audio and video and captures still photographs.
(4) Keyboard light	Illuminates the keyboard in low-light conditions when the keyboard light button is pressed.
(5) Keyboard light button	Opens and turns on the keyboard light.
(6) Internal microphone	Records sound. NOTE: The internal microphone makes use of dual array technology, which provides speech enhancement and suppresses surrounding noises.

Front components



Component	Description
(1) Wireless light	<ul style="list-style-type: none"> Blue: An integrated wireless device, such as a wireless local area network (WLAN) device, the HP Mobile Broadband Module, and/or a Bluetooth device, is on. Amber: All wireless devices are off.
(2) Power light	<ul style="list-style-type: none"> On: The computer is on. Blinking: The computer is in the Sleep state. Off: The computer is off or in Hibernation.
(3) Battery light	<ul style="list-style-type: none"> Amber: A battery is charging. Turquoise: A battery is close to full charge capacity. Blinking amber: A battery that is the only available power source has reached a low battery level. When the battery reaches a critical battery level, the battery light begins blinking rapidly. Off: If the computer is plugged into an external power source, the light turns off when all batteries in the computer are fully charged. If the computer is not plugged into an external power source, the light stays off until the battery reaches a low battery level.
(4) Drive light	<ul style="list-style-type: none"> Turquoise: The hard drive or optical drive is being accessed. Amber: HP 3D DriveGuard has temporarily parked the hard drive.
(5) Business card slot	Holds a business card in position so that the webcam can capture the information on the card.
(6) Display release button	Opens the computer.


Rear components

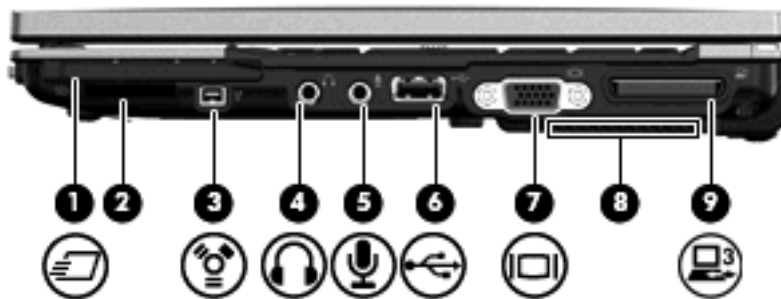


Component	Description
(1) RJ-45 (network) jack	Connects a network cable.
(2) Security cable slot	Attaches an optional security cable to the computer.

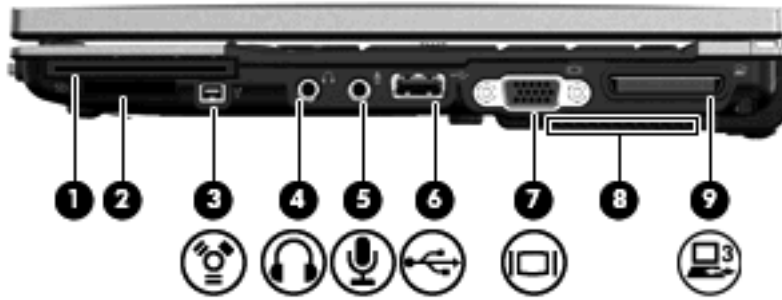
NOTE: The security cable is designed to act as a deterrent, but it may not prevent the computer from being mishandled or stolen.

Right-side components

 **NOTE:** Refer to the illustration that most closely matches your computer.




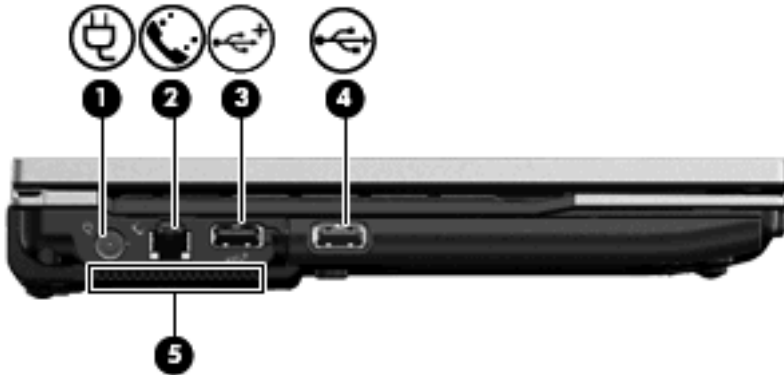
Component	Description
(1) ExpressCard slot	Supports optional ExpressCards.
(2) SD Card Reader	Supports the Secure Digital (SD) Memory Card and MultiMediaCard (MMC) optional digital card formats.
(3) 1394 port	Connects an optional IEEE 1394 or 1394a device, such as a camcorder.
(4) Audio-out (headphone) jack	Produces sound when connected to optional powered stereo speakers, headphones, ear buds, a headset, or television audio. WARNING! To reduce the risk of personal injury, adjust the volume before putting on headphones, earbuds, or a headset. For additional safety information, refer to the <i>Regulatory, Safety and Environmental Notices</i> . NOTE: When a device is connected to the headphone jack, the computer speakers are disabled.
(5) Audio-in (microphone) jack	Connects an optional computer headset microphone, stereo array microphone, or monaural microphone.
(6) USB port	Connects an optional USB device.
(7) External monitor port	Connects an external VGA monitor or projector.
(8) Vent	Enables airflow to cool internal components. NOTE: The computer fan starts up automatically to cool internal components and prevent overheating. It is normal for the internal fan to cycle on and off during routine operation.
(9) Expansion port 3	Connects an optional docking device.



Component	Description
(1) Smart card reader	Supports optional smart cards and Java™ cards.
(2) SD Card Reader	Supports the Secure Digital (SD) Memory Card and MultiMediaCard (MMC) optional digital card formats.
(3) 1394 port	Connects an optional IEEE 1394 or 1394a device, such as a camcorder.
(4) Audio-out (headphone) jack	Produces sound when connected to optional powered stereo speakers, headphones, ear buds, a headset, or television audio. WARNING! To reduce the risk of personal injury, adjust the volume before putting on headphones, earbuds, or a headset. For additional safety information, refer to the <i>Regulatory, Safety and Environmental Notices</i> . NOTE: When a device is connected to the headphone jack, the computer speakers are disabled.
(5) Audio-in (microphone) jack	Connects an optional computer headset microphone, stereo array microphone, or monaural microphone.
(6) USB port	Connects an optional USB device.
(7) External monitor port	Connects an external VGA monitor or projector.
(8) Vent	Enables airflow to cool internal components. NOTE: The computer fan starts up automatically to cool internal components and prevent overheating. It is normal for the internal fan to cycle on and off during routine operation.
(9) Expansion port 3	Connects an optional docking device.

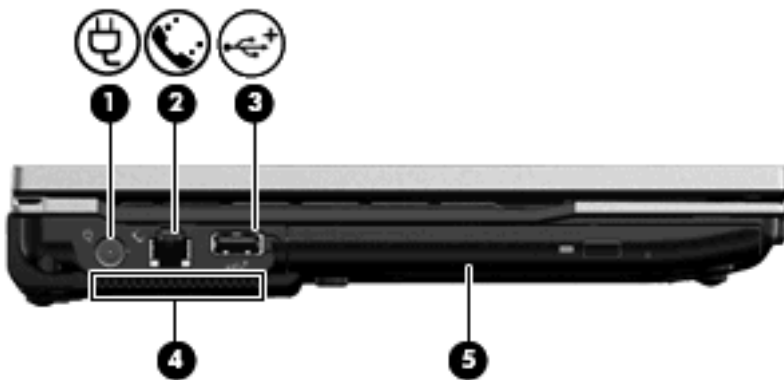
Left-side components

 **NOTE:** Refer to the illustration that most closely matches your computer.



Component	Description
(1) Power connector	Connects an AC adapter.
(2) RJ-11 (modem) jack	Connects a modem cable.
(3) Powered USB port	Provides power to an external device if used with a powered USB cable.
(4) USB port	Connects an optional USB device.
(5) Vent	Enables airflow to cool internal components.

NOTE: The computer fan starts up automatically to cool internal components and prevent overheating. It is normal for the internal fan to cycle on and off during routine operation.



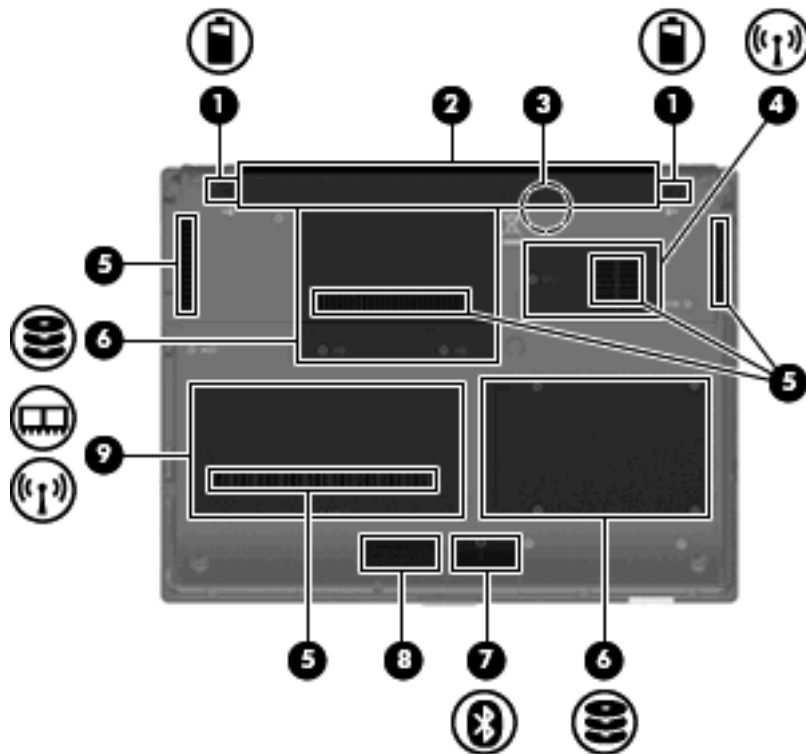
Component	Description
(1) Power connector	Connects an AC adapter.
(2) RJ-11 (modem) jack	Connects a modem cable.
(3) USB port	Connects an optional USB device.
(4) Vent	Enables airflow to cool internal components.

NOTE: The computer fan starts up automatically to cool internal components and prevent overheating. It is normal for the internal fan to cycle on and off during routine operation.

(5) Optical drive

Reads and writes to an optical disc.

Bottom components



Component	Description
(1) Battery release latches (2)	Release the battery from the battery bay.
(2) Battery bay	Holds the battery.
(3) SIM slot (select models only)	Contains a wireless subscriber identity module (SIM). The SIM slot is located inside the battery bay.
(4) Broadband wireless module compartment	Contains an HP Mobile Broadband Module (select models only). CAUTION: To prevent an unresponsive system, replace the wireless module only with a wireless module authorized for use in the computer by the governmental agency that regulates wireless devices in your country or region. If you replace the module and then receive a warning message, remove the module to restore computer functionality, and then contact technical support through Help and Support.
(5) Vents (5)	Enable airflow to cool internal components. NOTE: The computer fan starts up automatically to cool internal components and prevent overheating. It is normal for the internal fan to cycle on and off during routine operation.
(6) Hard drive bay	Holds the hard drive. NOTE: Your computer has one hard drive. Depending on your computer model, the location of the hard drive varies.
(7) Bluetooth compartment	Contains a Bluetooth device.

Component	Description
(8) Speaker	Produces sound.
(9) Memory module compartment	Contains an expansion memory module slot and a WLAN module (select models only). NOTE: To prevent an unresponsive system, replace the wireless module only with a wireless module authorized for use in the computer by the governmental agency that regulates wireless devices in your country or region. If you replace the module and then receive a warning message, remove the module to restore computer functionality, and then contact technical support through Help and Support.

Wireless antennae (select models only)



Component	Description
(1) WLAN antennae (2)*	Send and receive wireless signals to communicate with wireless local area networks (WLAN).
(2) WWAN antennae (2)*	Send and receive wireless signals to communicate with wireless wide-area networks (WWAN).

*The antennae are not visible from the outside of the computer. For optimal transmission, keep the areas immediately around the antennae free from obstructions.

To see wireless regulatory notices, refer to the section of the *Regulatory, Safety and Environmental Notices* that applies to your country or region. These notices are located in Help and Support.

Additional hardware components



Component	Description
(1) Power cord*	Connects an AC adapter to an AC outlet.
(2) AC adapter	Converts AC power to DC power.
(3) Modem cable (select models only)*	Connects the internal modem to an RJ-11 telephone jack or to a country- or region-specific modem cable adapter.
(4) Country- or region-specific modem cable adapter (select models only)	Adapts the modem cable to a non-RJ-11 telephone jack.
(5) Battery*	Powers the computer when the computer is not plugged into external power.

*Modem cables, batteries, and power cords vary in appearance by country or region.

3 Labels

The labels affixed to the computer provide information you may need when you troubleshoot system problems or travel internationally with the computer.

- Service tag—Provides important information including:



- Product Name (1). This is the product name affixed to the front of your notebook.
- Serial Number (s/n) (2). This is an alphanumeric number that is unique to each product.
- Part Number/Product Number (p/n) (3). This number provides specific information about the product's hardware components. The part number helps a service technician to determine what components and parts are needed.
- Model Description (4). This is the number you need to locate documents, drivers, and support for your notebook.
- Warranty period (5). This number describes the duration of the warranty period for this computer.

Have this information available when you contact technical support. The service tag label is affixed to the bottom of the computer.

- Microsoft® Certificate of Authenticity—Contains the Windows® Product Key. You may need the Product Key to update or troubleshoot the operating system. This certificate is affixed to the bottom of the computer.
- Regulatory label—Provides regulatory information about the computer. The regulatory label is affixed inside the battery bay.
- Modem approval label—Provides regulatory information about the modem and lists the agency approval markings required by some of the countries in which the modem has been approved for use. You may need this information when traveling internationally. The modem approval label is affixed inside the memory module compartment.
- Wireless certification label(s) (select models only)—Provide information about optional wireless devices and the approval markings of some of the countries in which the devices have been approved for use. An optional device may be a wireless local area network (WLAN) device, an HP Mobile Broadband Module, or an optional Bluetooth® device. If your computer model includes one

or more wireless devices, one or more certification labels are included with your computer. You may need this information when traveling internationally. Wireless certification labels are affixed inside the memory module compartment.

- SIM (subscriber identity module) label (select models only)—Provides the ICCID (Integrated Circuit Card Identifier) of your SIM. This label is located inside the battery bay.
- HP Mobile Broadband Module serial number label (select models only)—Provides the serial number of your HP Mobile Broadband Module. This label is located inside the battery bay.

Index

Symbols/Numerics

1394 port, identifying 12, 13

A

AC adapter, identifying 19
ambient light sensor, identifying 9
applications key, Windows 8
audio-in (microphone) jack,
identifying 12, 13
audio-out (headphone) jack,
identifying 12, 13

B

battery bay 16, 20
battery light, identifying 4, 10
battery release latches,
identifying 16
battery, identifying 19
bays
 battery 16, 20
 hard drive 16
Bluetooth label 21
Bluetooth module compartment,
identifying 16
broadband wireless module
 compartment, identifying 16
business card slot, identifying 10
buttons
 display release 10
 info 6
 keyboard light 9
 pointing stick 3
 power 6
 presentation 6
 TouchPad 3
 TouchPad on/off 3
 volume mute 7
 wireless 6

C

caps lock light, identifying 4
Certificate of Authenticity label 20
compartments
 expansion memory module 17
 WLAN module 17
components
 additional hardware 19
 bottom 16
 front 10
 left-side 14
 rear 11
 right-side 12
 top 3
 wireless antennae 18
connector, power 14
cord, power 19
country-specific modem cable
 adapter, identifying 19

D

display release button,
identifying 10
drive light, identifying 5, 10

E

esc key, identifying 8
expansion memory module
 compartment, identifying 17
expansion port 3, identifying 12,
13
ExpressCard slot, identifying 12
external monitor port,
identifying 12, 13

F

fingerprint reader, identifying 7
fn key, identifying 8
function keys, identifying 8

H

hard drive bay, identifying 16
headphone (audio-out) jack 12,
13
HP Mobile Broadband Module
 serial number label 21

I

IEEE 1394 port, identifying 12,
13
info button, identifying 6
internal display switch,
identifying 6
internal microphone, identifying 9

J

jacks
 audio-in (microphone) 12, 13
 audio-out (headphone) 12,
13
 RJ-11 (modem) 14
 RJ-45 (network) 11

K

keyboard light button,
identifying 9
keyboard light, identifying 9
keypad keys, identifying 8
keys
 esc 8
 fn 8
 function 8
 keypad 8
 Windows applications 8
 Windows logo 8

L

labels
 Bluetooth 21

- HP Mobile Broadband Module 21
- Microsoft Certificate of Authenticity 20
- modem approval 20
- regulatory 20
- service tag 20
- wireless certification 21
- WLAN 21
- latches, battery release 16
- left TouchPad button 3
- lights
 - battery 4, 10
 - caps lock 4
 - drive 5, 10
 - keyboard 9
 - mute 4
 - num lock 4
 - power 4, 10
 - TouchPad on/off 4
 - volume mute 4
 - webcam 9
 - wireless 4, 10

M

- memory module compartment, identifying 17
- microphone (audio-in) jack 12, 13
- Microsoft Certificate of Authenticity label 20
- modem approval label 20
- modem cable, identifying 19
- monitor port, external 12, 13
- mute button, identifying 7
- mute light, identifying 4

N

- num lock light, identifying 4

O

- operating system
 - Microsoft Certificate of Authenticity label 20
 - Product Key 20
- optical drive, identifying 15

P

- pointing stick buttons, identifying 3
- pointing stick, identifying 3

ports

- 1394 12, 13
- external monitor 12, 13
- powered USB 14
- USB 12, 13, 14

- power button, identifying 6
- power connector, identifying 14
- power cord, identifying 19
- power light, identifying 4, 10
- powered USB port, identifying 14
- presentation button, identifying 6
- Product Key 20
- product name and number, computer 20

R

- regulatory information
 - modem approval label 20
 - regulatory label 20
 - wireless certification labels 21
- release latches, battery 16
- RJ-11 (modem) jack, identifying 14
- RJ-45 (network) jack, identifying 11

S

- scroll zone, TouchPad 3
- SD Card Reader, identifying 12, 13
- security cable slot, identifying 11
- serial number, computer 20
- service tag 20
- SIM label 21
- SIM slot, identifying 16
- slots
 - broadband wireless module 16
 - business card 10
 - ExpressCard 12
 - memory module 17
 - SD Card Reader 12, 13
 - security cable 11
 - SIM card 16
 - smart card reader 13
 - WLAN module 17
- smart card reader, identifying 13
- speaker, identifying 17

T

- TouchPad on/off button, identifying 3
- TouchPad on/off light, identifying 4
- TouchPad scroll zone 3
- TouchPad, identifying 3
- traveling with the computer
 - modem approval label 20
 - wireless certification labels 21

U

- USB ports, identifying 12, 13, 14

V

- vents, identifying 12, 13, 14, 16
- volume mute button, identifying 7
- volume mute light, identifying 4
- volume scroll zone, identifying 7

W

- webcam light, identifying 9
- webcam, identifying 9
- Windows applications key, identifying 8
- Windows logo key, identifying 8
- wireless button, identifying 6
- wireless certification label 21
- wireless light, identifying 4, 10
- WLAN antennae, identifying 18
- WLAN device 21
- WLAN label 21
- WLAN module compartment, identifying 17
- WWAN antenna, identifying 18

