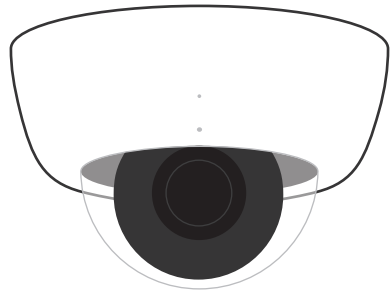


D30 Setup Guide

Contents

In the box	1
What you'll need	3
Connect	5
Mount	7
Adjust	15
Secure	17
Support	19

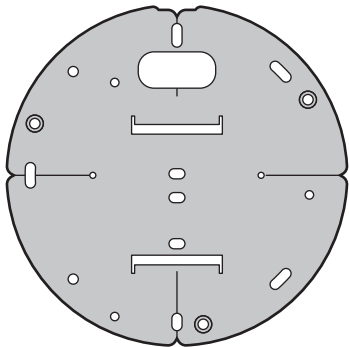
In the box



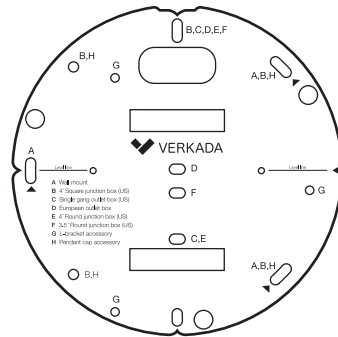
D30 Camera



T10 security Torx screwdriver



Mount plate



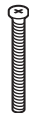
Mounting template



4 screws



4 plastic wall anchors



3 machine screws



3 washers

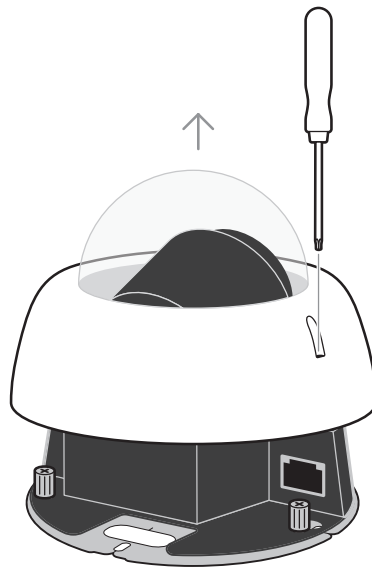


3 wing nuts

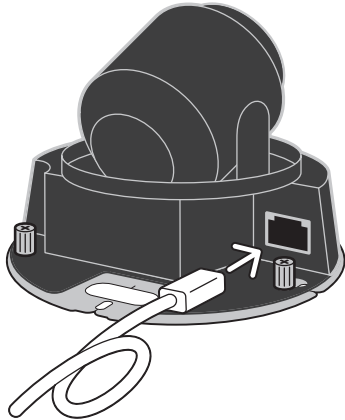
What you'll need

- A working internet connection
- 802.3af Power over Ethernet (PoE) switch, or a PoE injector
- A smartphone or laptop
- A Phillips screwdriver or power drill with a Phillips driver bit
- 1/4-inch (6.5mm) drill bit for wall anchors
- 1/8-inch (3mm) drill bit for pilot holes
- 3/16-inch (4.5mm) drill bit for machine screws

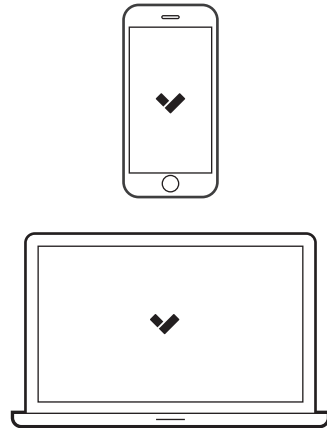
Connect



Use the provided T10 Torx security screwdriver to loosen the screws and lift the case off the camera.

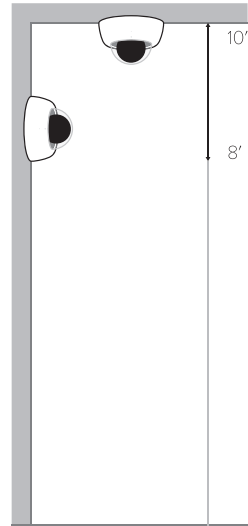


Connect the camera to an 802.3af Power over Ethernet port on your network. An orange LED on the camera will indicate that it is powered and booting up. The LED will turn blue to indicate the camera is active.

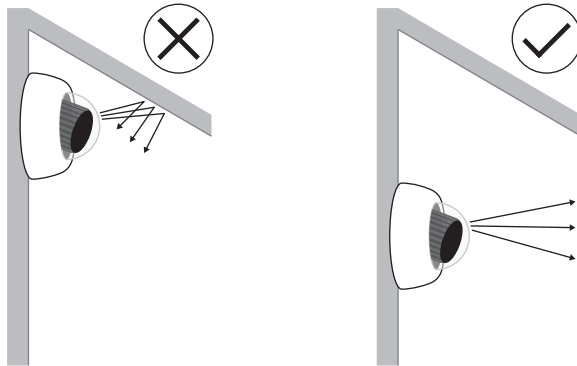


Go to www.verkada.com/start

Mount



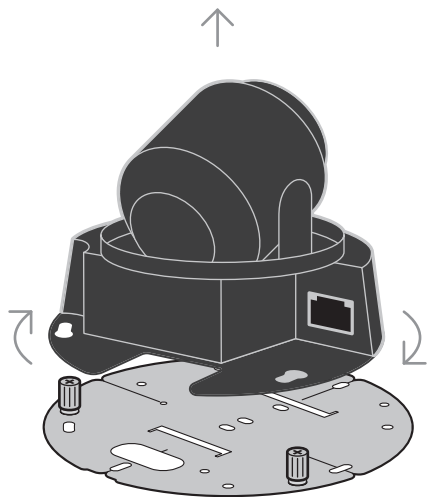
Mount the camera on a wall or ceiling. Try to keep the camera 8 to 10 feet above the ground.



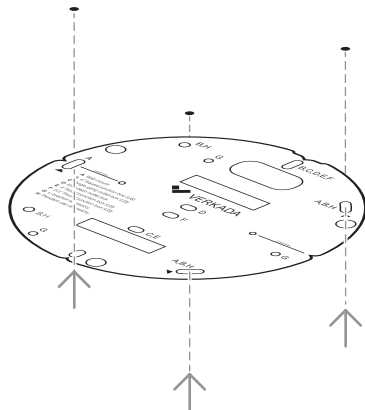
For best night vision, avoid overhangs or obstructions. These may reflect the camera's IR illumination and reduce the image clarity in night mode.

Mount

continued



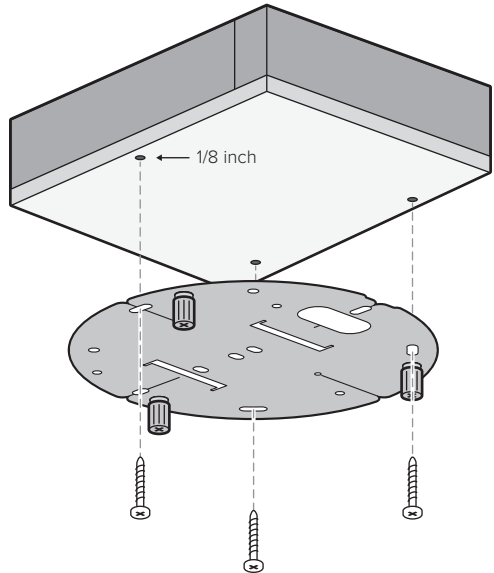
Using a Phillips screwdriver, loosen the mount plate screws. Twist clockwise and lift the camera off the mount plate.



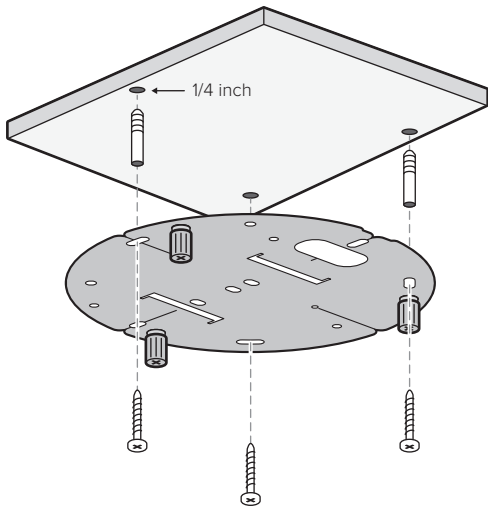
Use the mounting template to mark wall mount holes. For junction box or accessory mounting, use the mounting template to determine the correct hole pattern.

Mount

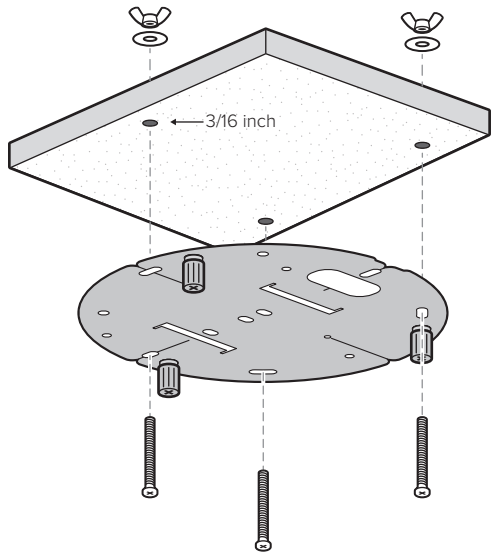
continued



For a solid material like wood or metal, drill 1/8-inch pilot holes. Drive mounting screws directly into the pilot holes.



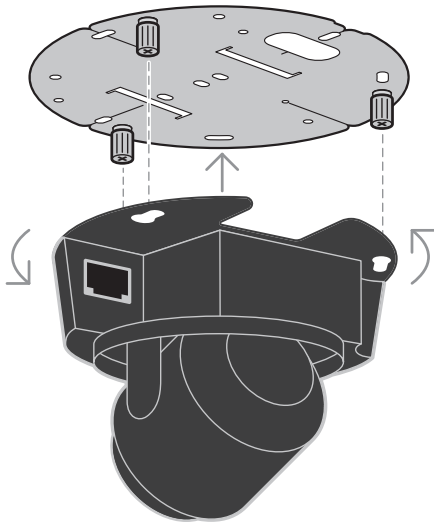
For drywall, drill 1/4-inch holes. Insert plastic anchors into holes and drive mounting screws into anchors.



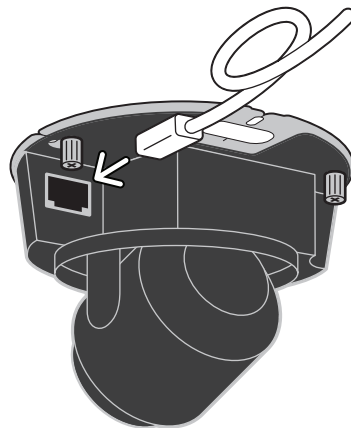
For a drop ceiling, drill 3/16-inch holes through the ceiling tile and insert machine screws. Behind the ceiling tile, place washers and wing nuts on each screw and hand tighten.

Mount

continued

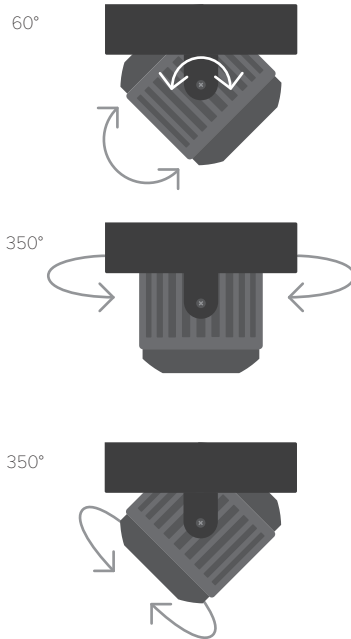


To secure the camera, place it over the mount plate screws and twist counter-clockwise. Tighten the mount plate screws with a Phillips screwdriver.

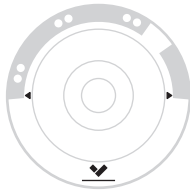


Plug in the camera. The status LED will turn orange to indicate the camera has power. The LED will turn blue to indicate the camera is active.

Adjust



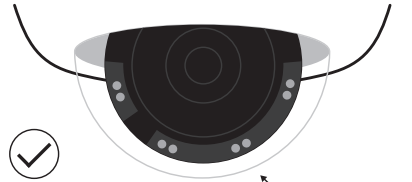
Adjust your camera to the desired viewing angle.



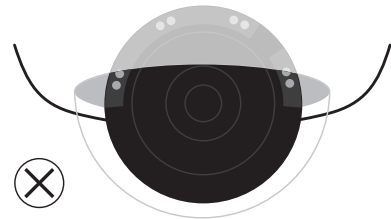
Lens Face



Image Orientation



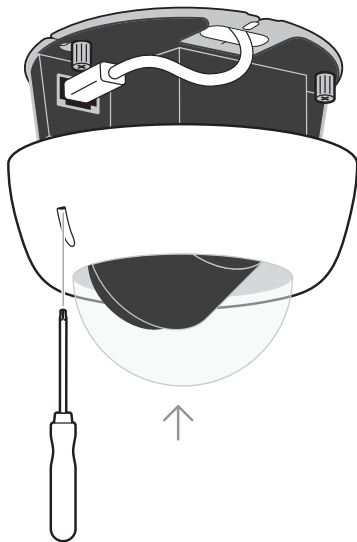
IR Illuminators



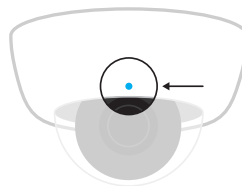
Default image orientation is indicated by markings on the lens face. Video orientation is also adjustable from within the Verkada application.

For best night vision, rotate the camera lens to ensure the IR illuminators are not obstructed by the camera case.

Secure



Replace the camera cover and secure it using the provided T10 Torx security screwdriver.



Status LED



Solid orange

Camera is on and booting up



Flashing orange

Camera is updating firmware



Flashing blue

Camera is recording, but cannot reach the server



Solid blue

Camera is running, connected,

Support

Thank you for purchasing a Verkada camera.

If for any reason things don't work right or you need assistance, please contact us immediately.

Sincerely -
The Verkada Team

www.verkada.com/support

www.verkada.com/support