



Network

Fisheye

QNF-C9010

12MP AI Fisheye Camera



Key Features

- 1/1.6" 12MP CMOS
- 1.76mm fixed stereo graphic type lens
- Color: 0.02Lux(F1.8, 1/30sec), BW: 0.001Lux(F1.8, 1/30sec)
- Digital Rotation
- Resolution/Framerate
 - Original view: Max. 20fps@3008x3008
 - Double panorama: Max. 20fps@3584x1792
 - Single panorama: Max. 20fps@3584x896
 - Quad view: Max. 20fps@3584x2688
 - Q1/Q2/Q3/Q4(4:3): Max. 20fps@1792x1344
- Day & Night (ICR), WDR (120dB), WiseNR II (Using AI engine)
- H.265, H.264, MJPEG, WiseStreamIII (Using AI engine)
- Analytics events based on AI engine
 - Object detection (Person/Vehicle)
 - Color Attribute, BestShot
 - Motion detection, Virtual line (Crossing/Direction), Virtual area (Loitering/Intrusion/Enter/Exit)
- PoE: Max 7.3W

Compatible Devices



SBP-150CMI



SBP-300CMI



SBP-300CMW1



SBP-900CMW



SBP-300CMTW



SBP-300CMTS

QNF-C9010

12MP AI Fisheye Camera



Specifications

Video		
Imaging Device	Size	1/1.6"
	Type	CMOS
Resolution	512x384, 3584x2688, 3008x3008, 640x160, 1920x960, 1792x1344, 640x640, 1024x768, 480x480, 800x800, 1920x480, 1280x320, 1920x1920, 2560x2560, 1280x640, 2048x1536, 640x320, 1024x512, 1504x1504, 768x576, 3584x896, 1280x1280, 3584x1792, 1024x256	
Max. Framerate	H.265/H.264	20fps/20fps(60Hz/50Hz)
	MJPEG	5fps
Min. Illumination (Lux)	Color(1/30sec, 30IRE)	0.02
	BW(1/30sec, 30IRE)	0.001
Video Out	USB: Micro USB Type B	
Lens		
Focal Length (mm)	1.76	
Max Aperture Ratio (F number)	Wide	F1.8
Angular Field of View	Horizontal	185°
	Vertical	185°
	Diagonal	185°
Min. Object Distance	0.5m(1.64ft)	
Pan / Tilt / Rotate		
Pan / Tilt / Rotate Range	Others	Digital Rotation
Operational		
Day & Night	Auto(ICR)	
Backlight Compensation	WDR, SSSR, BLC	
Wide Dynamic Range (dB)	120	
Digital Noise Reduction	WiseNR II (Based on AI engine), SSSNR V	
Motion Detection	Quantity	8ea
	Shape	8point Polygonal zones

Operational

Privacy Masking	Quantity	32ea
	Shape	4point Quadrangle zones
Gain Control		Middle, High, Low
White Balance		Manual, Indoor, Outdoor, ATW, AWC
Electronic Shutter	Mode	Anti flicker, Maximum, Minimum
	Speed Range	1/5~1/12,000sec
Digital PTZ		Support
Video Rotation		Mirror, Flip
Alarm Triggers		Network disconnect, Analytics
Alarm Events When Alarm Trigger Occurred		Notification: e-mail, Handover: PTZ preset, send message by HTTP/HTTPS/TCP, Recording: SD/SDHC/SDXC or NAS recording at event triggers, MQTT: publication, File upload(image): e-mail/FTP/SFTP

Analytics

Classified Object Type		Vehicle, Person
Attributes	Person	Upper/Lower clothes color
	Vehicle	Color
Thumbnail		BestShot
Analytics Events	Based on AI Engine	Object detection, Virtual line(Crossing/Direction), Motion detection, Virtual area(Loitering/Intrusion/Enter/Exit/Appear/Disappear)
	Normal	Tampering, Defocus detection
Business Intelligence	Based on AI Engine	Heatmap, People counting, Queue management

Network

Ethernet		RJ-45(10/100BASE-T)
Video Compression		H.265/H.264: Main/High, MJPEG
Smart Codec		WiseStream(Based on AI engine), Manual
Bitrate Control		H.265/H.264: CBR or VBR, MJPEG: VBR, MJPEG: VBR
Streaming	Unicast	Up to 20 users
	Multicast	Support
	Multiple Streaming	Up to 5 profiles
Protocol		NTP, TCP/IP, ARP, DHCP, RTP(UDP), HTTPS, FTP, RTCP, IPv6, UDP/IP, Bonjour, DNS, SNMPv1/v2c/v3(MIB-2), RTP(TCP), SSL/TLS, QoS, SMTP, DDNS, IGMP, HTTP, SFTP, UPnP, CDP, LLDP, MQTT, RTSP, ICMP, SRTP(TCP, UDP Unicast), IPv4
Application Programming Interface	ONVIF	M, T, S, G
	Others	SUNAPI(HTTP API), Hanwha Vision Open Platform
Direct Cloud Connection		Support

Security

OS / Firmware Protect	Signed firmware, Encrypted firmware, Secure boot
-----------------------	--

Security

User authentication	Prevent brute-force attack, Digest authentication
Network authentication	IEEE 802.1X(EAP-TLS, EAP-LEAP, EAP-PEAP, MSCHAPv2)
Secure Communication	WSS(WebSocket Secure), SRTP, HTTPS
Access Control	IP-based access control
Data Protect	Encryption credentials
Audit	Access / System / Event Log management
Device ID	Device certificate(Hanwha Vision Root CA)
Secure Storage	SDcard partition encrypt(AES-256)

General

Memory	RAM	2GB
	Flash	1GB
Edge Storage	Micro SD/SDHC/SDXC	Max. 256GB x 1slot

Environmental & Electrical

Operating Condition	Temperature	-10°C~+40°C(+14°F~+104°F)
	Humidity	0~90% RH(non-condensing)
Storage Condition	Temperature	-50°C~+60°C(-58°F~+140°F)
	Humidity	0~90% RH(non-condensing)
Input Voltage		PoE(IEEE802.3af, Class3)
Power Consumption	PoE	Max 7.3W, typical 4.3W

Mechanical

Color	White
Material	Aluminum
RAL Code	RAL9003
Product Dimensions	ø99x52mm(ø3.9x2.05")
Product Weight	360g(0.79lb)

Certifications & Standards

EMC	RCM AS-NZS CISPR 32 Class A, KS C 9832 Class A, KS C 9835, CE/UKCA - EN55032 Class A, EN 50130-4, EN 61000-3-2, EN 61000-3-3, ICES-3(A)/NMB-3(A), VCCI CISPR 32 Class A, FCC 47 CFR 15 Subpart B Class A
Safety	IEC 62471, UL 62368-1, CAN/CSA C22.2 NO. 62368-1
Environment	IEC/EN 63000, IEC 60529 IP42

DORI (EN62676-4 standard)

Detect (25PPM/ 8PPF)	Wide	36.9m(121.03ft)
Observe (63PPM/ 19PPF)	Wide	14.8m(48.42ft)
Recognize (125PPM/ 38PPF)	Wide	7.4m(24.21ft)

DORI (EN62676-4 standard)

Identify (250PPM/ 76PPF)	Wide	3.7m(12.10ft)
-----------------------------	------	---------------

QNF-C9010

12MP AI Fisheye Camera

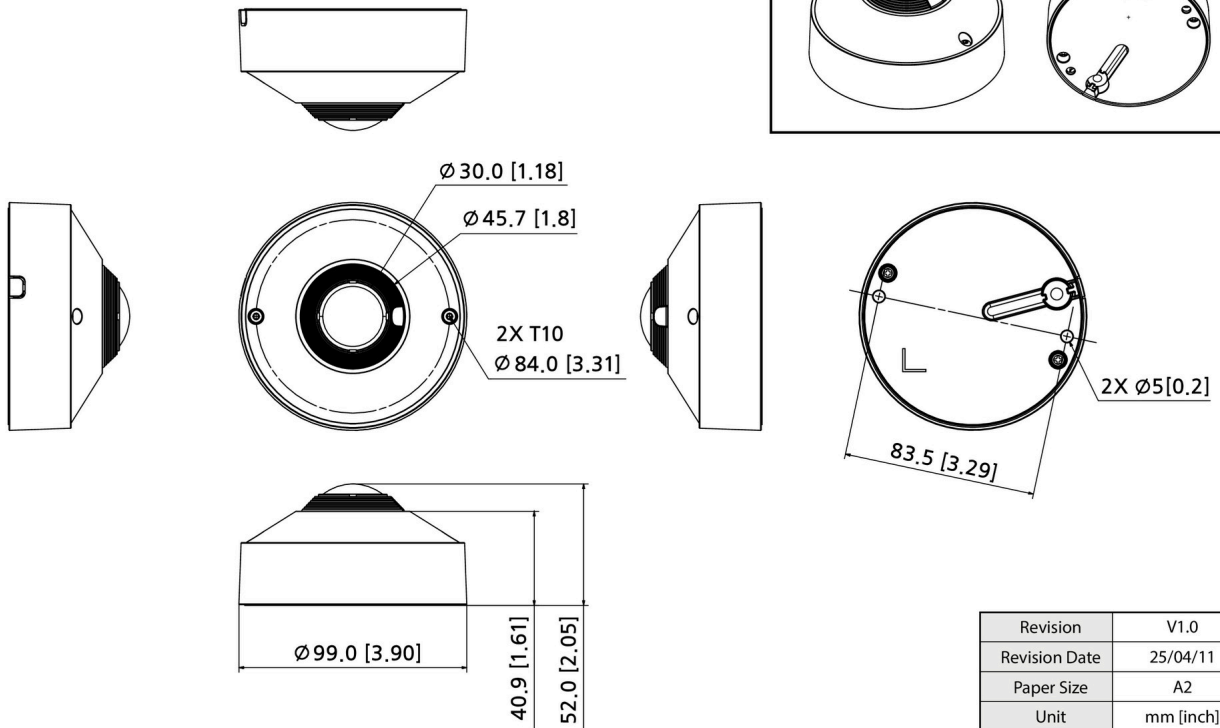
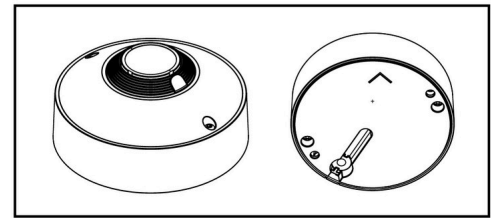


CAD

Unit: mm [inch]

QNF-C9010 12MP AI Fisheye Camera

Reference image



© Hanwha Vision Co., Ltd. All right reserved.

Revision	V1.0
Revision Date	25/04/11
Paper Size	A2
Unit	mm [inch]
Scale	1:1